

Relief-Valve, springloaded

for steam and gases in closed completion

Typ 33

Standard version:

Material: Inlet body / Spring bonnet, outlet body Temperature ranges metal seated

Typ 33.1: BG II-IV 1.0460 / 1.0619 -10°C to 350°C

Typ 33.2: BG II-IV 1.4571, 1.4581 / 1.4581 -60°C to 350°C

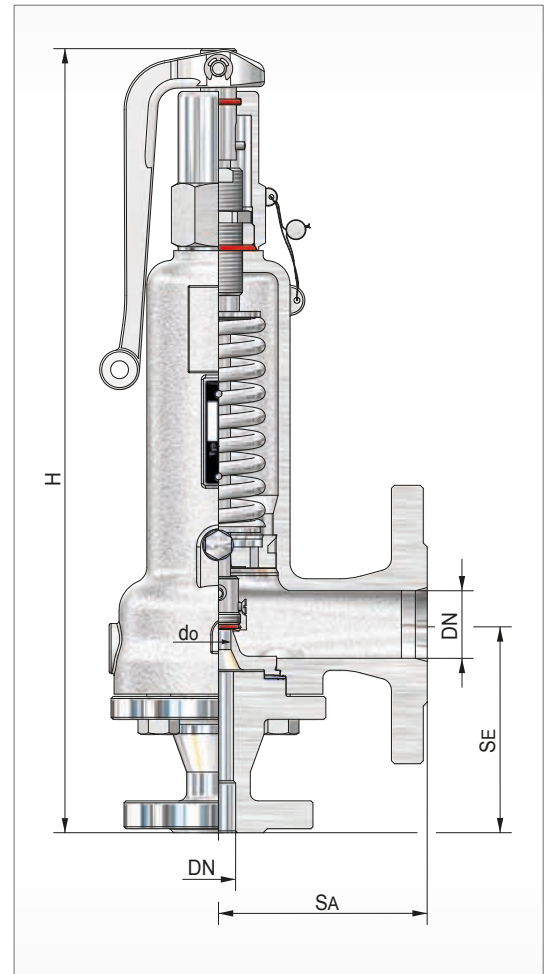
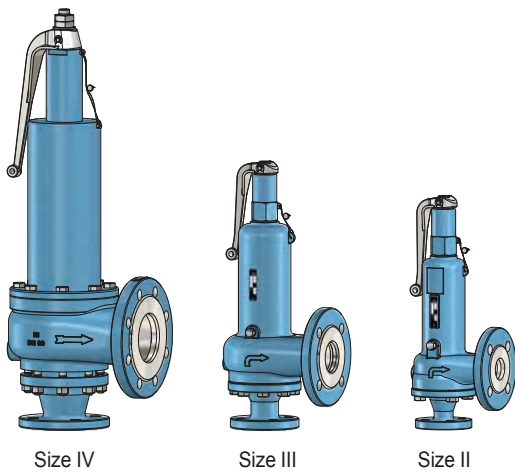
Typ 33.7: BG II-IV 1.4571 / 1.4308 -200°C to 280°C

Connections: soft seated

Flange connections: DIN EN / ASME B16.5 see techn. appendix: KWD-1

Approvals:

Pressure Equipment Directive: 97/23/EG
Declaration of Conformity



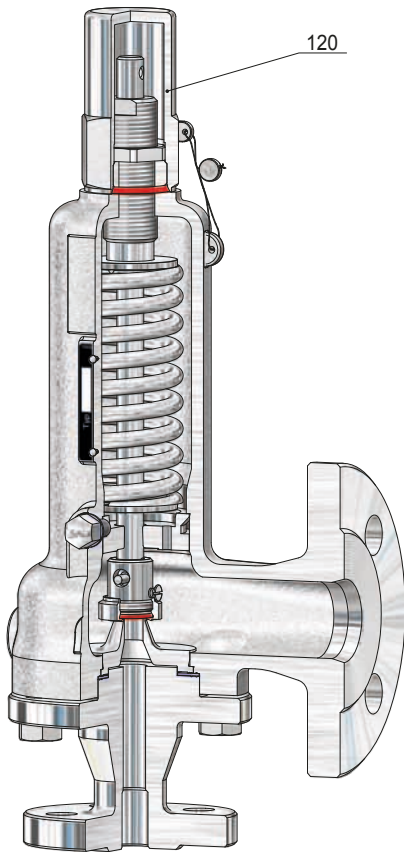
Size	Inlet					Outlet				Height 'H' for head		Coefficient		Set pressure		Weight ~ [kg]
	DN	NPS	PN / Class	do [mm]	SE [mm]	DN	NPS	PN / Class	SA [mm]	A [mm]	C [mm]	D/G αw max.	F αw	p min. [bar(g)]	p max. [bar(g)]	
II	15	½	16-63	12,5	105	32	1 ¼	16-40	105	395	375	0,83		4,00	120	9,6
	20	¾	150-600	16 20	115	40	1 ½	150-300	115	405	385	0,71		0,30	40	10,0
												0,80		0,30	40	10,0
III	25	1	16-63	20	125	50	2	16-40	125	450	430	0,46		0,50	40	15,0
	32	1 ¼	150-600	25	145	65	2 ½	150-300	145	470	450	0,86		0,15	40	19,3
IV	40	1 ½	16-63	32	155	80	3	16-40	155	700	620	0,54		0,50	16	36,8
	50	2	150-600	40	175	100	4	150	175	730	650	0,56		0,30	15	40,5

other design on request

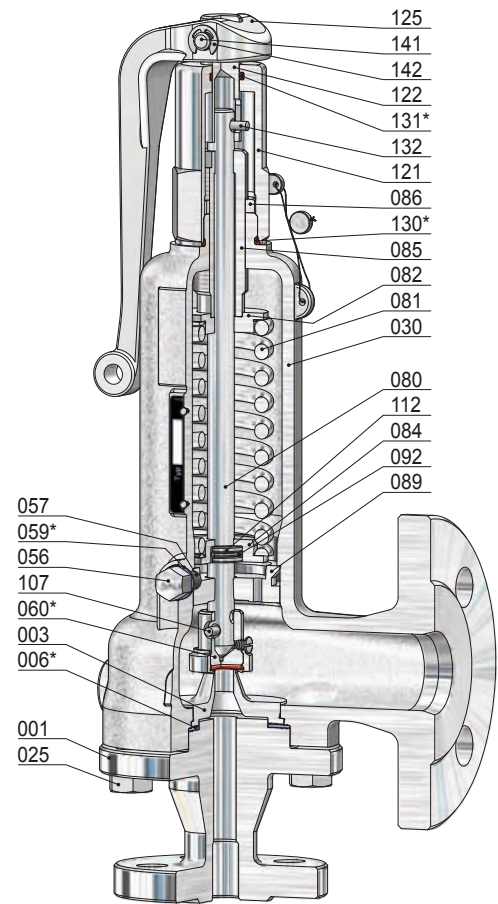
Relief-Valve, springloaded

for steam and gases in closed completion

Typ 33



Size II
head C



Size II
head A

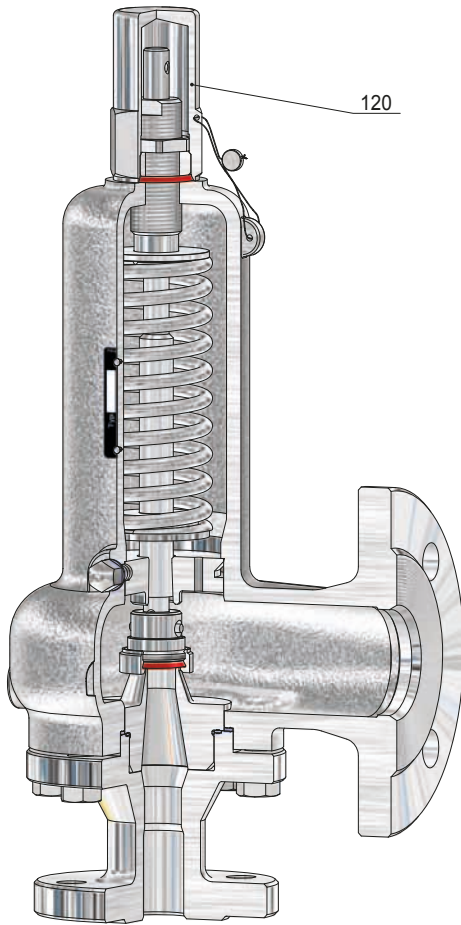
Item	Piece	Description	Item	Piece	Description
001	1	inlet body	085	1	adjusting screw
003	1	seat	086	1	lock nut
006 *	1	packing ring	089	1	guide plate
025	4	screw	092	1	lock ring
030	1	spring bonnet	107	1	spring pin
056	2	lock nut	112	1	split ring
057	2	screwed pin	120	1	cap
059 *	2	packing ring	121	1	lifting cap
060 *	1	disc, complete	122	1	coupling
062	1	disc	125	1	lifting button
063	1	soft sealing	130 *	1	o-ring
067	1	disc ring	131 *	1	o-ring
080	1	security screw	132	1	groove pin
081	1	spindle	141	1	bolt
082	1	spring	142	2	stop washer
084	1	springplate, upper			
		springplate, lower			

* expendable parts

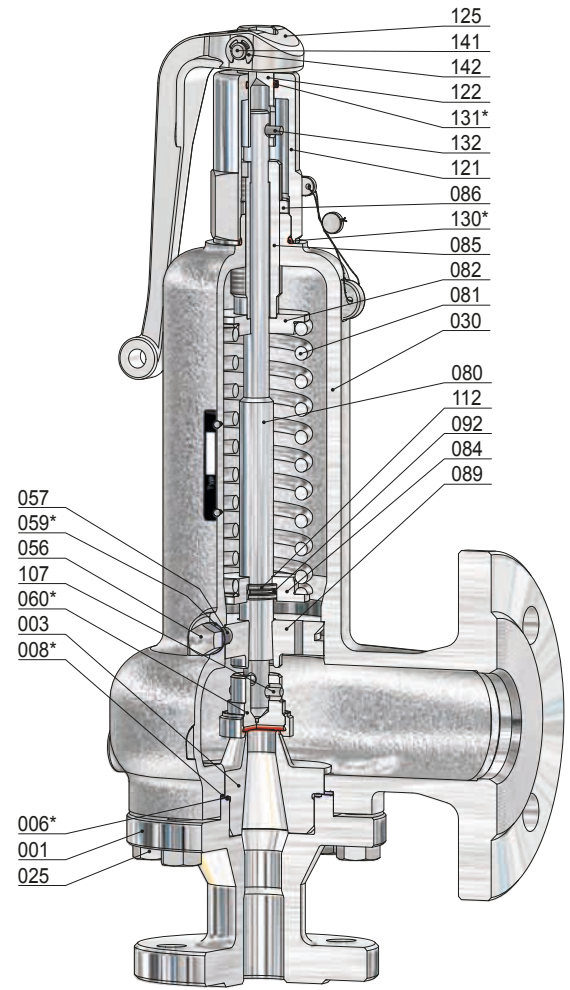
Relief-Valve, springloaded

for steam and gases in closed completion

Typ 33



Size III
head C



Size III
head A

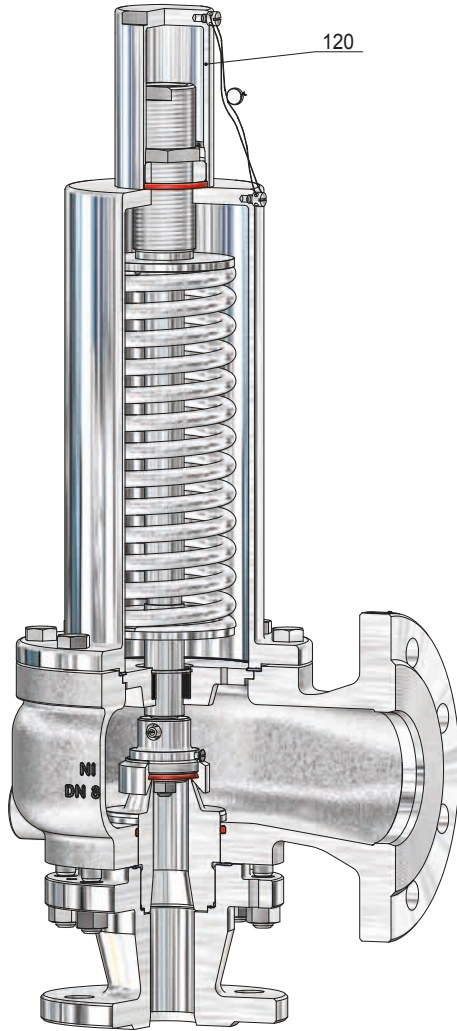
Item	Piece	Description	Item	Piece	Description
001	1	inlet body	084	1	springplate, lower
003	1	seat	085	1	adjusting screw
006 *	1	packing ring	086	1	lock nut
008 *	1	packing ring	089	1	guide plate
025	8	screw	092	1	lock ring
030	1	spring bonnet	107	1	spring pin
056	2	lock nut	112	1	split ring
057	2	screwed pin	120	1	cap
059 *	2	packing ring	121	1	lifting cap
060 *	1	disc, complete	122	1	coupling
560	1	disc	125	1	lifting button
062	1	soft sealing	130 *	1	o-ring
063	1	disc ring	131 *	1	o-ring
067	1	security screw	132	1	groove pin
080	1	spindle	141	1	bolt
081	1	spring	142	2	stop washer
082	1	springplate, upper			

* expendable parts

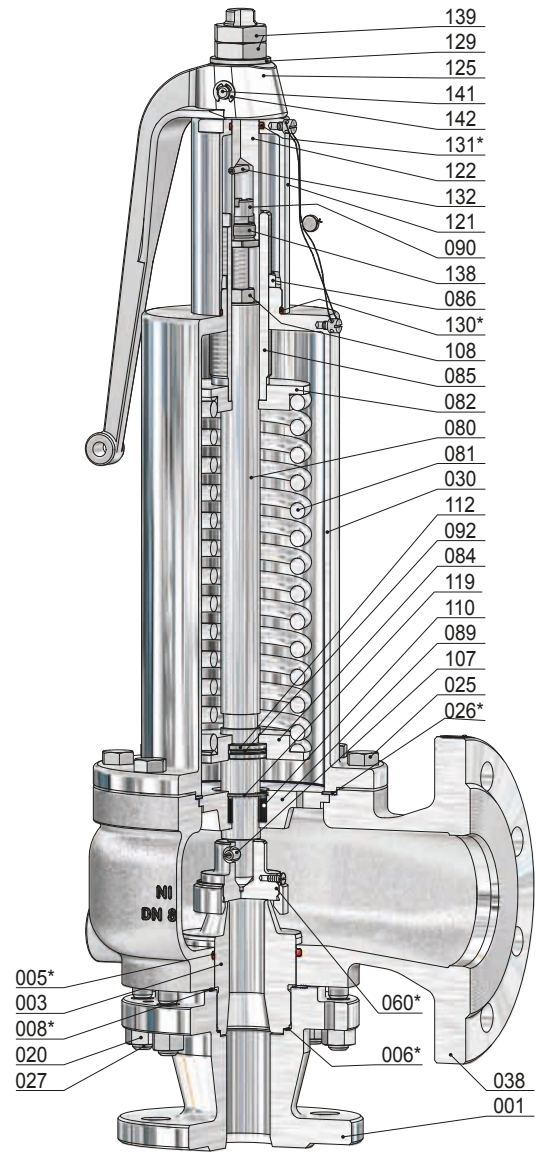
Relief-Valve, springloaded

for steam and gases in closed completion

Typ 33



Size IV
head C



Size IV
head A

Item	Piece	Description	Item	Piece	Description	Item	Piece	Description
001	1	inlet body	073	1	o-ring	121	1	lifting cap
003	1	seat	074	1	disc plate	122	1	coupling
005 *	1	o-ring	080	1	spindle	125	1	lifting button
006 *	1	packing ring	081	1	spring	129	1	pressure plate
008 *	1	packing ring	082	1	springplate, upper	130 *	1	o-ring
020	8	nut	084	1	springplate, lower	131 *	1	o-ring
025	8	screw	085	1	adjusting screw	132	1	groove pin
026 *	1	packing ring	086	1	lock nut	138	1	screw
027	8	stud bolt	089	1	guide plate	139	2	nut
030	1	spring bonnet	090	1	screw	141	1	bolt
038	1	outlet body	092	1	lock ring	142	2	stop washer
060 *	1	disc, complete	107	1	spring pin			
560	1	disc	108	1	nut			
062	1	soft sealing	110	1	bush			
063	1	disc ring	112	1	split ring			
065	1	disc bolt	119	1	locking ring			
067	1	security screw	120	1	cap			

* expendable parts