

Full-Lift-Safety-Valve, springloaded

for steam, gases and liquids in closed completion

Typ 32

Standard version:

Material:	Inlet body	/ Spring bonnet, outlet body	Temperature ranges metal seated
Typ 32.1:	BG I	1.0460 / 0.7043	-10°C to 280°C
	BG II - IV	1.0460 / 1.0619	-10°C to 350°C
Typ 32.2:	BG I - IV	1.4571 / 1.4581	-60°C to 350°C
Typ 32.7:	BG I - IV	1.4571 / 1.4308	-200°C to 280°C
Connections:			soft seated
Flange connections: DIN EN / ASME B16.5		see techn. appendix: KWD-1	

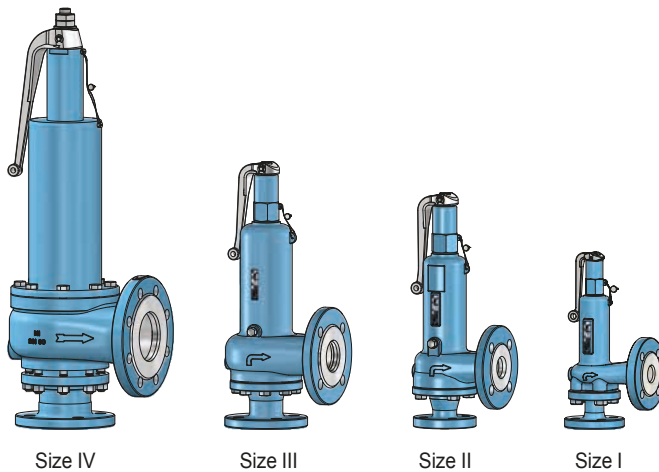
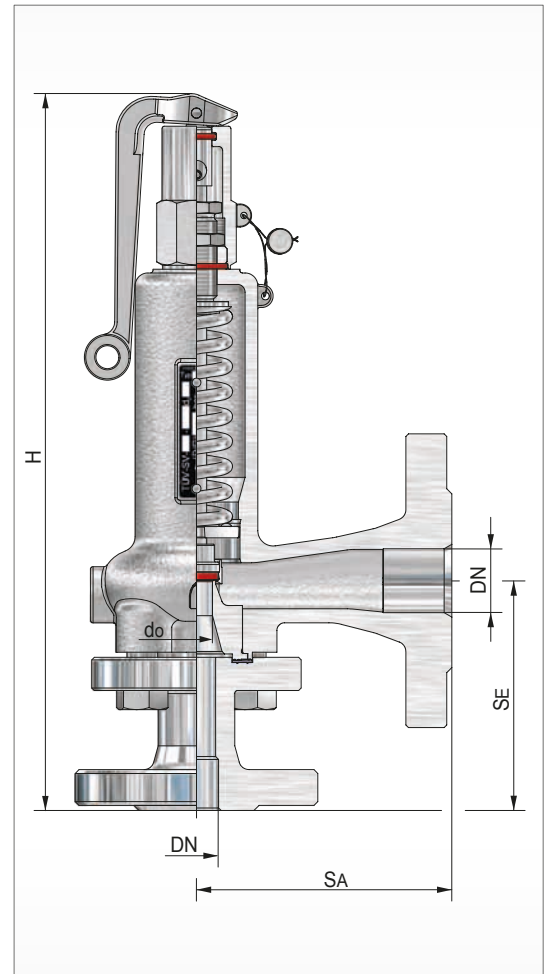
Approvals:

Pressure Equipment Directive: 97/23/EG
Declaration of Conformity



TÜV - Approval:

VdTÜV-leaflet TÜV • SV • XX-887 / 900 / 901 / 906 / 920 • do • D/G/F • α_w • p
AD 2000-leaflet A 2



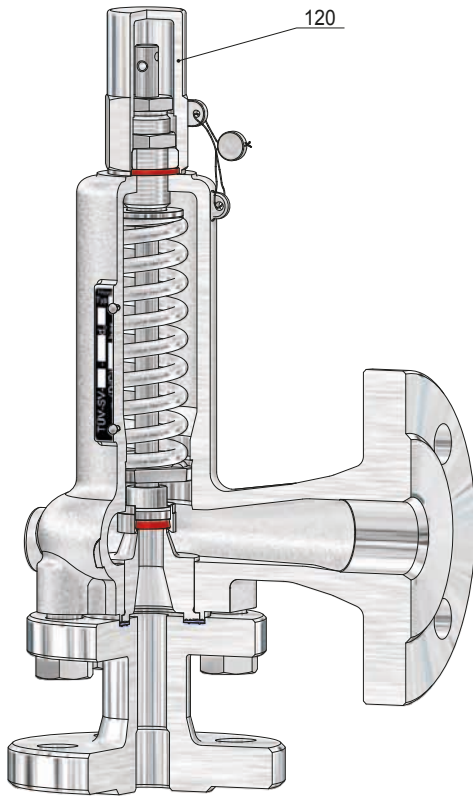
Size	Inlet					Outlet				Height 'H' for head			Coefficient		Set pressure		Weight ~ [kg]
	DN	NPS	PN / Class	do [mm]	SE [mm]	DN	NPS	PN / Class	SA [mm]	A [mm]	C [mm]	D/G α _w max.	F α _w	p min. [bar(g)]	p max. [bar(g)]		
I	15	1/2	63-160 250 16-40 150-600	8	115	25	1	16-40 150-300	100	307	293	0,79 0,59	0,41	6 0,2	250 40	4,6 4,6	
				12,5	90					282	268						
II	20 25	3/4 1	16-63 150-600	16	105	32 40	1 1/4 1 1/2	16-40 150-300	105 115	395	375	0,68 0,54	0,47 0,44	0,1	40	10,2 11,2	
				20	115					405	385						
III	32 40	1 1/4 1 1/2	16-63 150-600	25	125	50 65	2 2 1/2	16-40 150-300	125 145	450	430	0,68 0,55	0,50 0,36	0,1	40 25	16,0 19,5	
				32	145					470	450						
IV	50 65	2 2 1/2	16-63 150-600	40	155	80 100	3 4	16-40 150	155 175	700	620	0,61 0,62	0,42 0,44	0,1 0,1	25 16	33,0 40,5	
				50	175					730	650						

other design on request

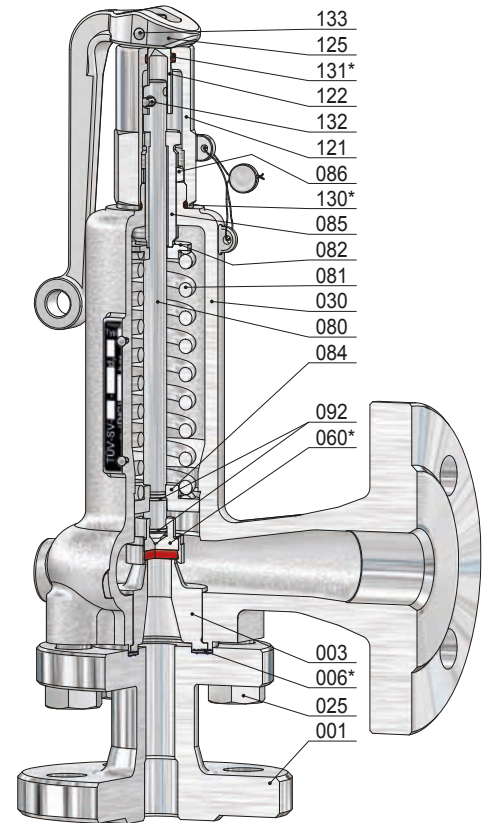
Full-Lift-Safety-Valve, springloaded

for steam, gases and liquids in closed completion

Typ 32



Size I
head C



Size I
head A

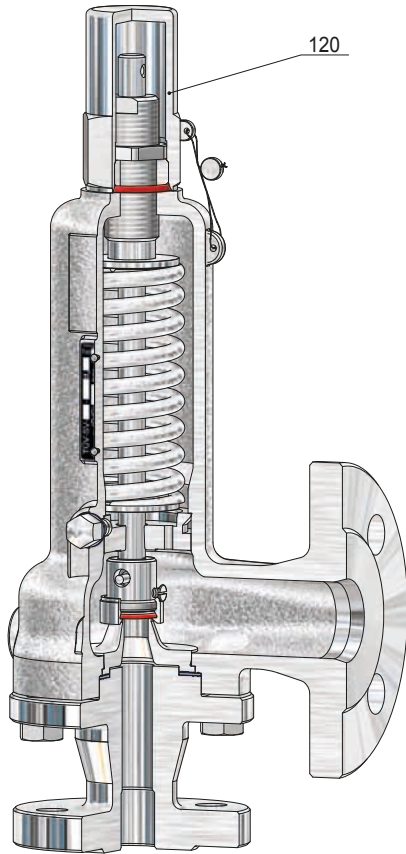
Item	Piece	Description	Item	Piece	Description
001	1	inlet body	086	1	lock nut
003	1	seat	092	2	lock ring
006 *	1	packing ring	120	1	cap
025	4	screw	121	1	lifting cap
030	1	spring bonnet	122	1	coupling
060 *	1	disc, complete	125	1	lifting button
560	1	disc	130 *	1	o-ring
062	1	soft sealing	131 *	1	o-ring
063	1	disc ring	132	1	groove pin
080	1	spindle	133	1	groove pin
081	1	spring			
082	1	springplate, upper			
084	1	springplate, lower			
085	1	adjusting screw			

* expendable parts

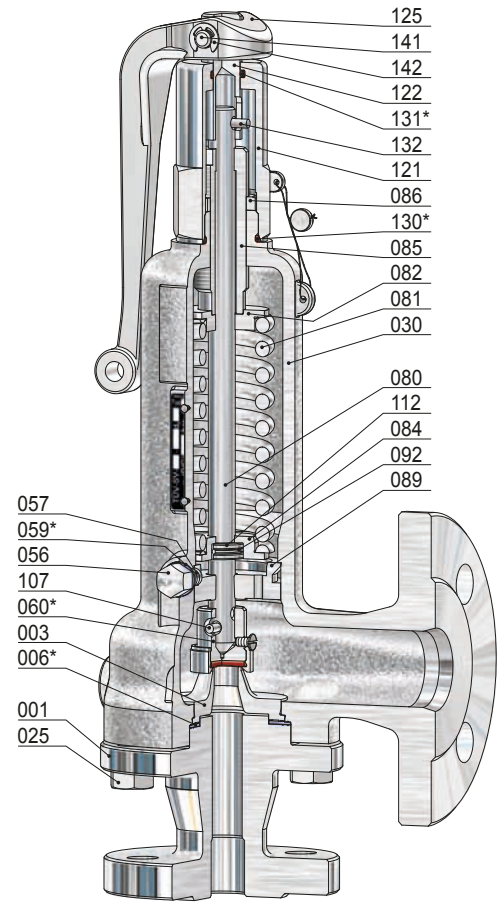
Full-Lift-Safety-Valve, springloaded

for steam, gases and liquids in closed completion

Typ 32



Size II
head C



Size II
head A

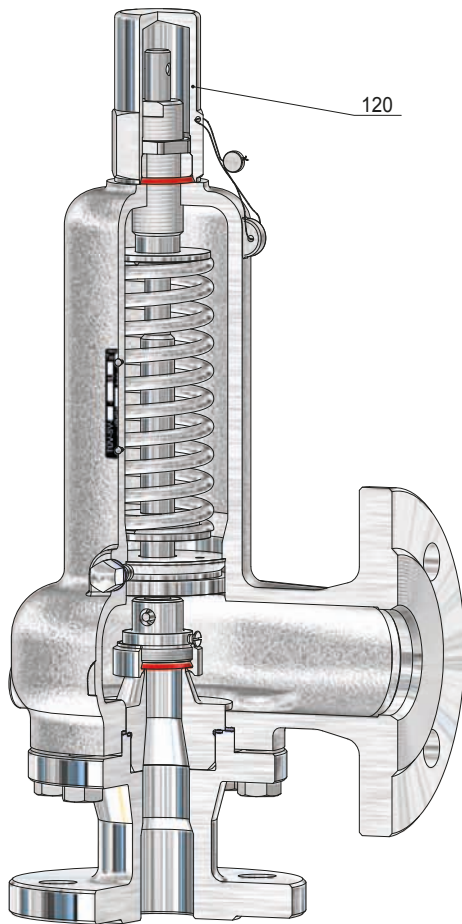
Item	Piece	Description	Item	Piece	Description
001	1	inlet body	085	1	adjusting screw
003	1	seat	086	1	lock nut
006 *	1	packing ring	089	1	guide plate
025	4	screw	092	1	lock ring
030	1	spring bonnet	107	1	spring pin
056	2	lock nut	112	1	split ring
057	2	screwed pin	120	1	cap
059 *	2	packing ring	121	1	lifting cap
060 *	1	disc, complete	122	1	coupling
062	1	disc	125	1	lifting button
063	1	soft sealing	130 *	1	o-ring
067	1	disc ring	131 *	1	o-ring
080	1	security screw	132	1	groove pin
081	1	spindle	141	1	bolt
082	1	spring	142	2	stop washer
084	1	springplate, upper			
		springplate, lower			

* expendable parts

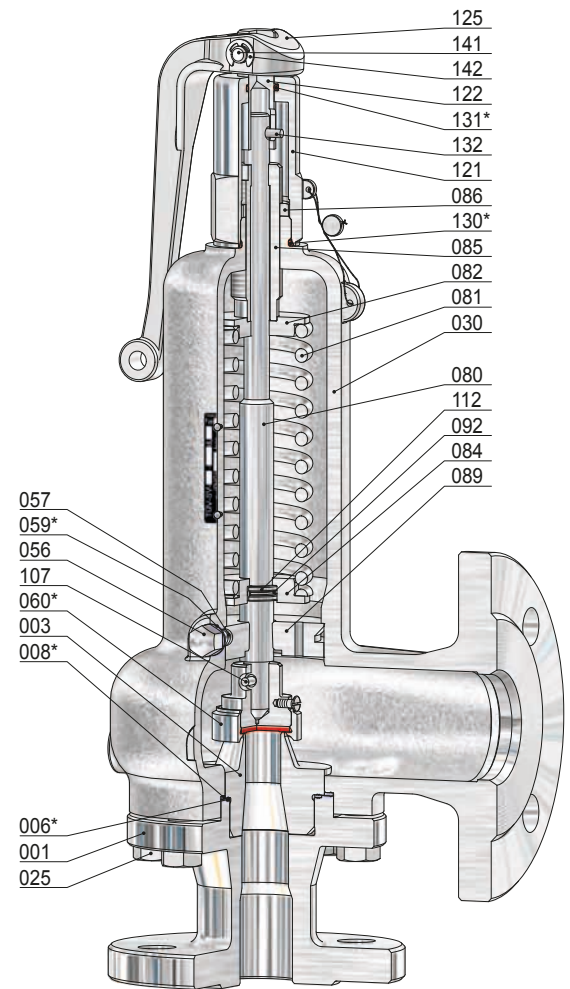
Full-Lift-Safety-Valve, springloaded

for steam, gases and liquids in closed completion

Typ 32



Size III
head C



Size III
head A

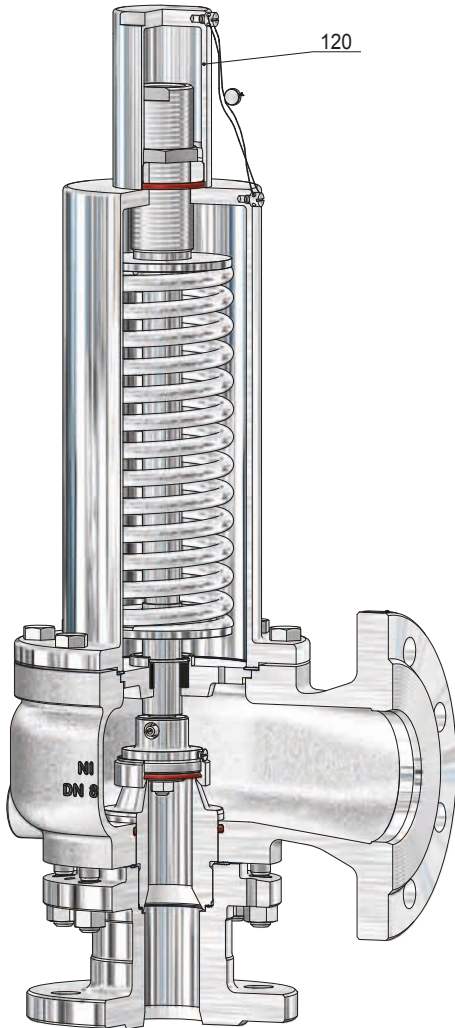
Item	Piece	Description	Item	Piece	Description
001	1	inlet body	084	1	springplate, lower
003	1	seat	085	1	adjusting screw
006 *	1	packing ring	086	1	lock nut
008 *	1	packing ring	089	1	guide plate
025	8	screw	092	1	lock ring
030	1	spring bonnet	107	1	spring pin
056	2	lock nut	112	1	split ring
057	2	screwed pin	120	1	cap
059 *	2	packing ring	121	1	lifting cap
060 *	1	disc, complete	122	1	coupling
560	1	disc	125	1	lifting button
062	1	soft sealing	130 *	1	o-ring
063	1	disc ring	131 *	1	o-ring
067	1	security screw	132	1	groove pin
080	1	spindle	141	1	bolt
081	1	spring	142	2	stop washer
082	1	springplate, upper			

* expendable parts

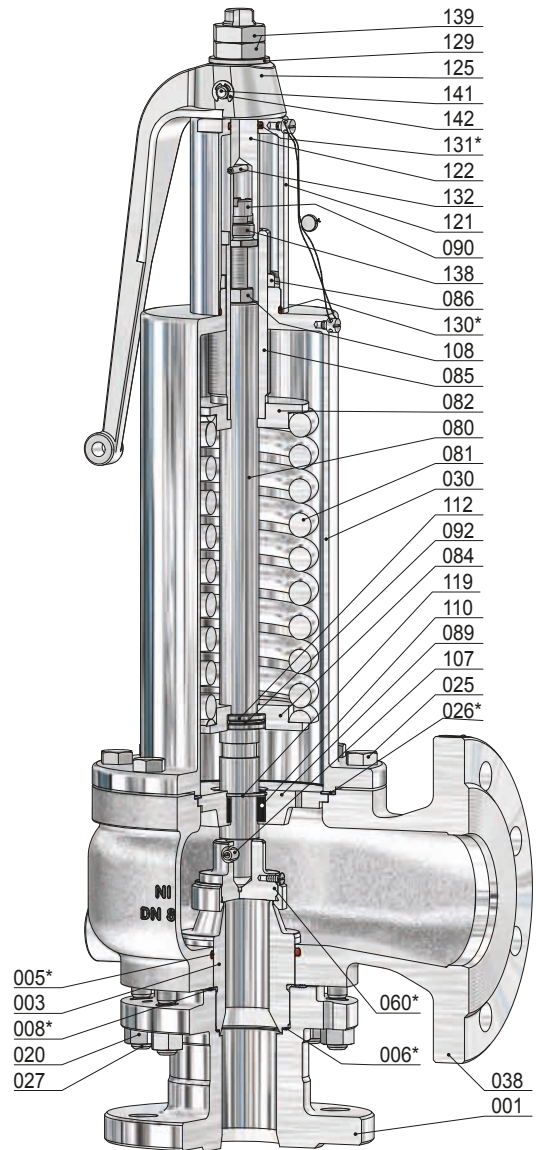
Full-Lift-Safety-Valve, springloaded

for steam, gases and liquids in closed completion

Typ 32



Size IV
head C



Size IV
head A

Item	Piece	Description	Item	Piece	Description	Item	Piece	Description
001	1	inlet body	073	1	o-ring	121	1	lifting cap
003	1	seat	074	1	disc plate	122	1	coupling
005 *	1	o-ring	080	1	spindle	125	1	lifting button
006 *	1	packing ring	081	1	spring	129	1	pressure plate
008 *	1	packing ring	082	1	springplate, upper	130 *	1	o-ring
020	8	nut	084	1	springplate, lower	131 *	1	o-ring
025	8	screw	085	1	adjusting screw	132	1	groove pin
026 *	1	packing ring	086	1	lock nut	138	1	screw
027	8	stud bolt	089	1	guide plate	139	2	nut
030	1	spring bonnet	090	1	screw	141	1	bolt
038	1	outlet body	092	1	lock ring	142	2	stop washer
060 *	1	disc, complete	107	1	spring pin			
560	1	disc	108	1	nut			
062	1	soft sealing	110	1	bush			
063	1	disc ring	112	1	split ring			
065	1	disc bolt	119	1	locking ring			
067	1	security screw	120	1	cap			

* expendable parts