

Safety-Valve, springloaded

for liquids in closed completion, high pressure

Typ 22

Standard version:

Temperature ranges

Material: Inlet body / Spring bonnet metal seated
Typ 22.2: 1.4571 / 1.4581 -60°C to 350°C

Connections:

Flange connections: DIN EN / ASME B16.5

Approvals:

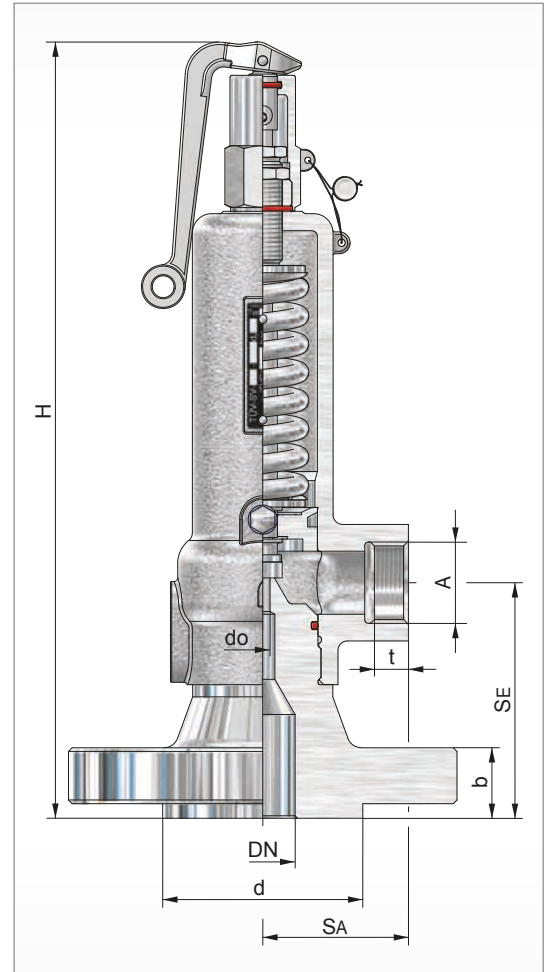
Pressure Equipment Directive: 97/23/EG
 Declaration of Conformity



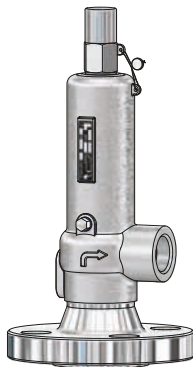
TÜV - Approval:

VdTÜV-leaflet AD 2000-leaflet A 2

TÜV • SV • XX-1036 • do • F • α_w • p



Size II
head A



Size II
head C

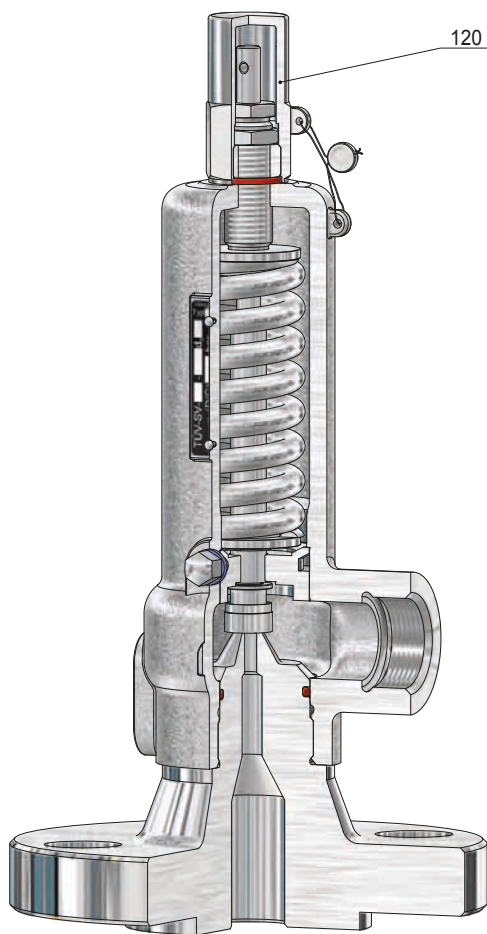
Size	Inlet					Outlet				Dimensions		Height 'H' for head		Coefficient		Set pressure		Weight ~ [kg]
	DN	NPS	b [mm]	d [mm]	SE [mm]	A	SA [mm]	t (G) [mm]	t (NPT) [mm]	SW [mm]	do [mm]	A [mm]	C [mm]	D/G α _w max.	F α _w	p min. [bar(g)]	p max. [bar(g)]	
II	25		-	-	115	1	60	18	19		12,5	327	314	-	0,14	250	250	8,8

other design on request

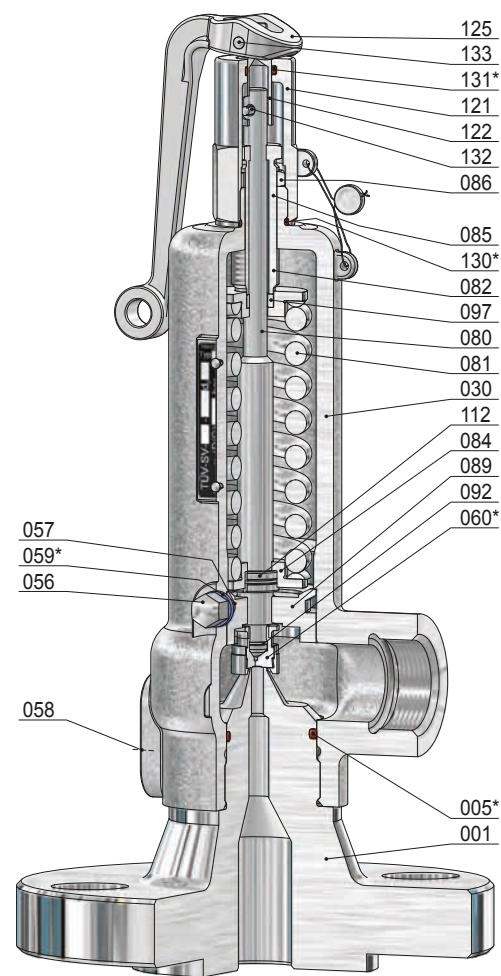
Safety-Valve, springloaded

for liquids in closed completion, high pressure

Typ 22



Size II
head C



Size II
head A

Item	Piece	Description	Item	Piece	Description
001	1	inlet body	089	1	guide plate
005 *	1	o-ring	092	1	lock ring
030	1	spring bonnet	097	1	glide ring
056	2	lock nut	112	1	split ring
057	2	screwed pin	120	1	cap
058	1	screwed pin	121	1	lifting cap
059 *	2	packing ring	122	1	coupling
060 *	1	disc, complete (Stellited)	125	1	lifting button
560	1	disc	130 *	1	o-ring
063	1	disc ring	131 *	1	o-ring
080	1	spindle	132	1	groove pin
081	1	spring	133	1	groove pin
082	1	springplate, upper			
084	1	springplate, lower			
085	1	adjusting screw			
086	1	lock nut			

* expendable parts