

Relief-Valve, springloaded

for steam, gases and liquids in closed completion, high pressure

Typ 22

Standard version:

Temperature ranges

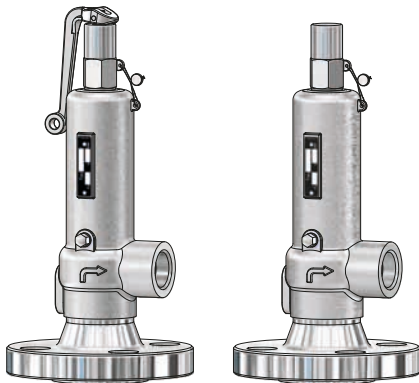
Material: Inlet body / Spring bonnet metal seated
Typ 22.2: 1.4571 / 1.4581 -60°C to 350°C

Connections:

Flange connections: DIN EN / ASME B16.5

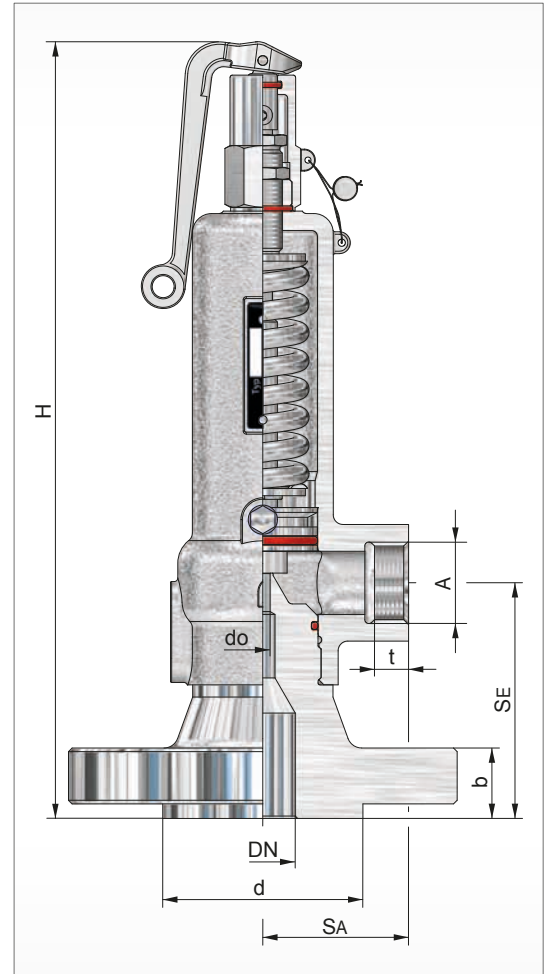
Approvals:

Pressure Equipment Directive: 97/23/EG
 Declaration of Conformity



Size II
head A

Size II
head C



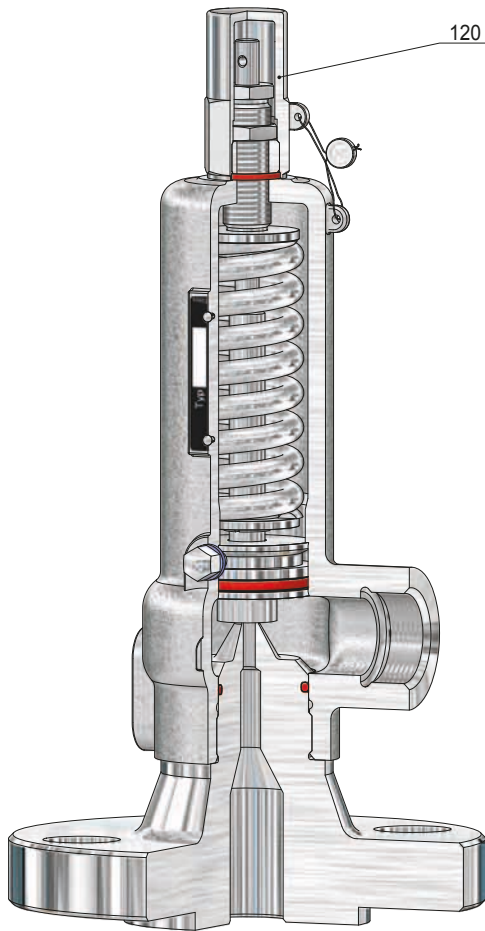
Size	Inlet					Outlet				Dimensions		Height 'H' for head		Coefficient		Set pressure		Weight	
	DN	NPS	b	d	SE	A	SA	t (G)	t (NPT)	SW	do	A	C	D/G	F	p min.	p max.		~ [kg]
			[mm]	[mm]	[mm]		[mm]	[mm]	[mm]	[mm]	[mm]	[mm]	[mm]	αw max.	αw	[bar(g)]	[bar(g)]		
II	flangedimension are variable					1	60	18	19		12,5	327	314				80	250	8,9
											8						100	600	8,8
											6						100	1100	8,8

other design on request

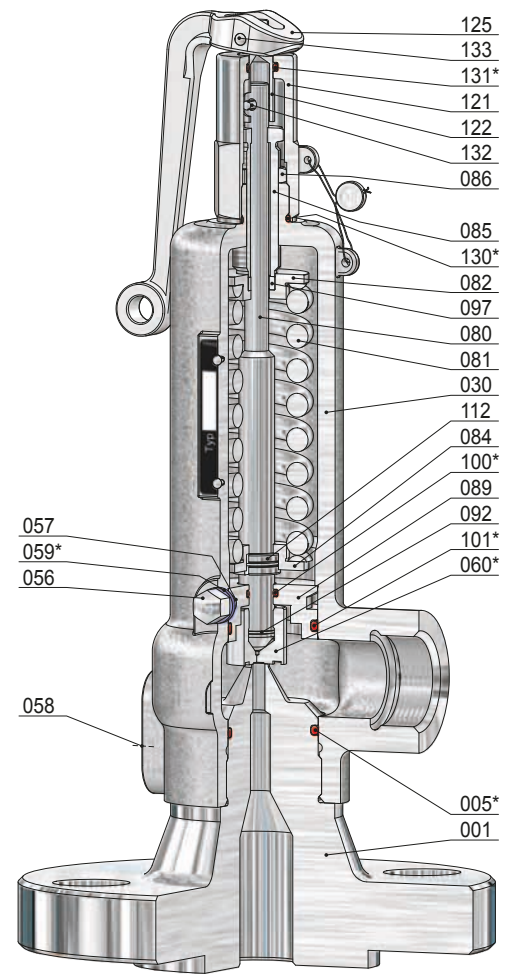
Relief-Valve, springloaded

for steam, gases and liquids in closed completion, high pressure

Typ 22



Size II
head C



Size II
head A

Item	Piece	Description	Item	Piece	Description
001	1	inlet body	097	1	glide ring
005 *	1	o-ring	100 *	1	o-ring
030	1	spring bonnet	101 *	1	o-ring
056	2	lock nut	112	1	split ring
057	2	screwed pin	120	1	cap
058	1	screwed pin	121	1	lifting cap
059 *	2	packing ring	122	1	coupling
060 *	1	disc, complete (Stellited)	125	1	lifting button
080	1	spindle	130 *	1	o-ring
081	1	spring	131 *	1	o-ring
082	1	springplate, upper	132	1	groove pin
084	1	springplate, lower	133	1	groove pin
085	1	adjusting screw			
086	1	lock nut			
089	1	guide plate			
092	1	lock ring			

* expendable parts