

# Safety-Valve, springloaded

for steam, gases and liquids in closed completion

# Typ 21

### Standard version:

		Temperature ranges	
<b>Material:</b>	Inlet body / Spring bonnet	metal seated	
<b>Typ 21.2:</b>	1.4571 / 1.4581	-60°C to 280°C	
<b>Connections:</b>		soft seated	
Screwed connection: DIN ISO 228 / ASME B1.20.1		see techn. appendix: KWD-1	

### Approvals:

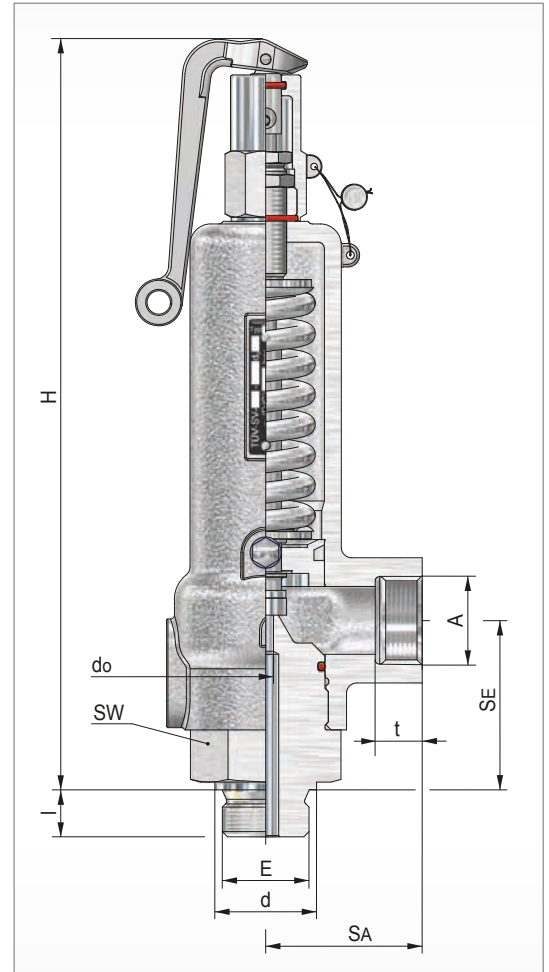
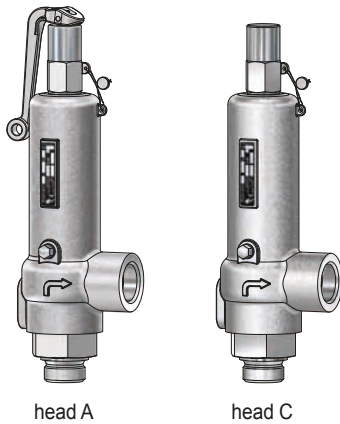
**Pressure Equipment Directive:** 97/23/EG  
Declaration of Conformity



### TÜV - Approval:

VdTÜV-leaflet AD 2000-leaflet A 2

TÜV • SV • XX-1036 • do • D/G or F •  $\alpha_w$  • p



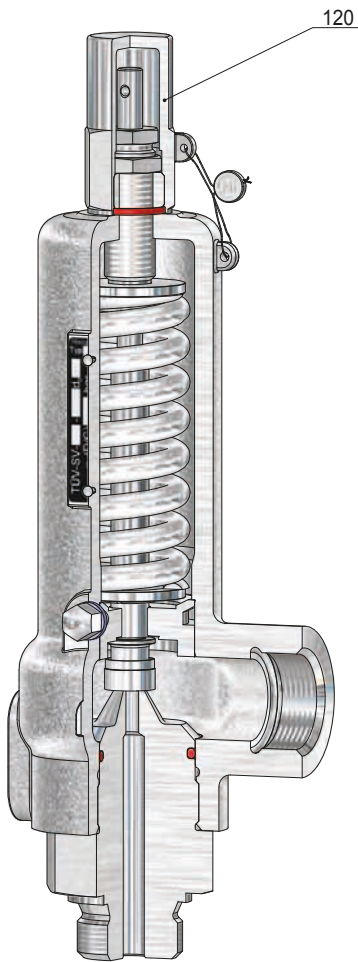
Size	Inlet					Outlet				Dimensions		Height 'H' for head		Coefficient		Set pressure		Weight ~ [kg]
	E	SE	d	l (G)	l (NPT)	A	SA	t (G)	t (NPT)	SW	do	A	C	D/G	F	p min.	p max.	
	[mm]	[mm]	[mm]	[mm]	[mm]	[mm]	[mm]	[mm]	[mm]	[mm]	[mm]	[mm]	[mm]	$\alpha_w$ max.	$\alpha_w$	[bar(g)]	[bar(g)]	
1			39	18	18						12,5				0,14	250	250	4,2
3/4	65		32	16	14	1	60	18	19	50	6	290	275	0,30		100	1000	
1			39	18	18													

other design on request

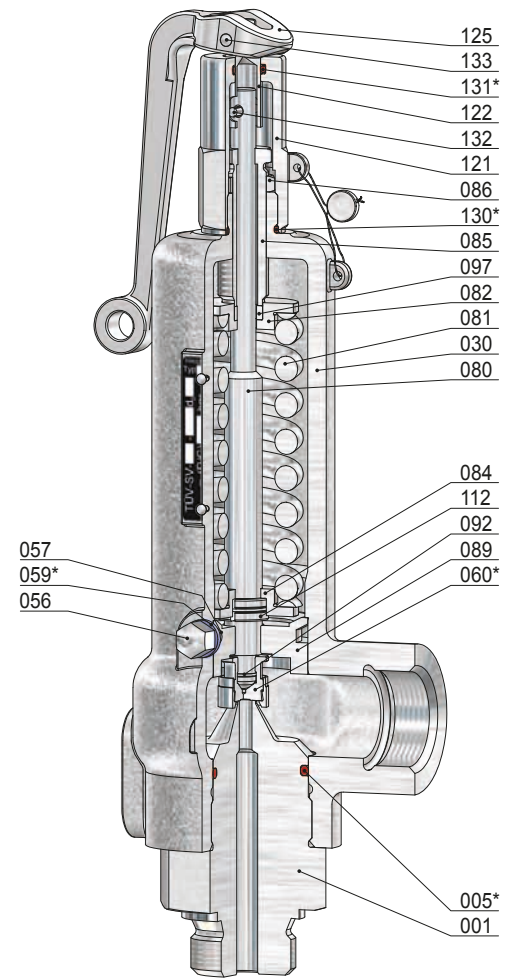
# Safety-Valve, springloaded

for steam, gases and liquids in closed completion

## Typ 21



head C



head A

Item	Piece	Description	Item	Piece	Description
001	1	inlet body	086	1	lock nut
005 *	1	o-ring	089	1	guide plate
030	1	spring bonnet	092	1	lock ring
056	2	lock nut	097	1	glide ring
057	2	screwed pin	112	1	split ring
059 *	2	o-ring	120	1	cap
060 *	1	disc, complete	121	1	lifting cap
560	1	disc	122	1	coupling
062	1	soft sealing	125	1	lifting lever
063	1	disc ring	130 *	1	o-ring
080	1	spindle	131 *	1	o-ring
081	1	spring	132	1	groove pin
082	1	springplate, upper	133	1	groove pin
084	1	springplate, lower			
085	1	adjusting screw			

\* expendable parts