

Relief-Valve, springloaded

for steam, gases and liquids in closed completion

Typ 21

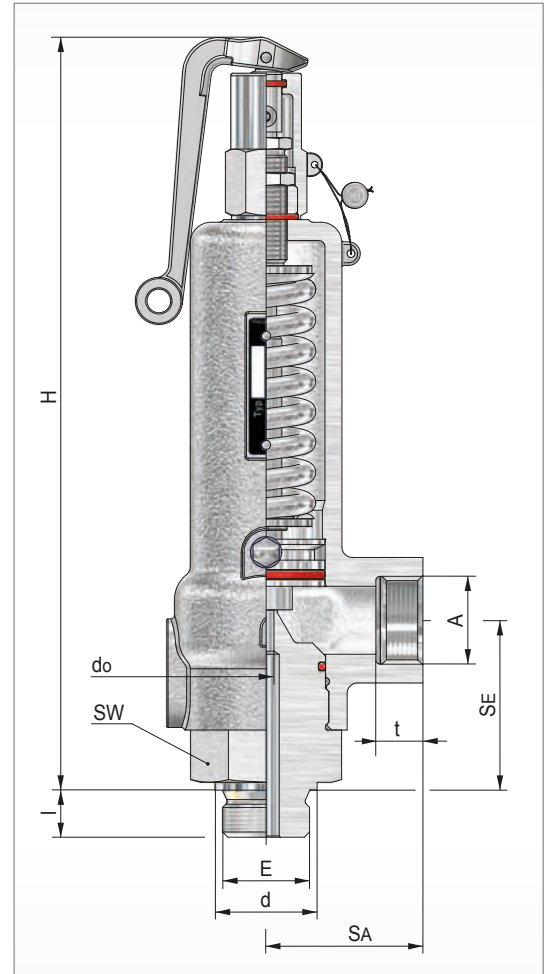
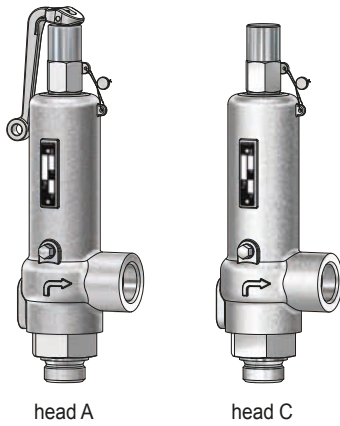
Standard version:

Material:	Inlet body	/ Spring bonnet	metal seated
Typ 21.2:	1.4571	/ 1.4581	-60°C to 280°C
Connections:			soft seated
Screwed connection: DIN ISO 228 / ASME B1.20.1			see techn. appendix: KWD-1

Temperature ranges

Approvals:

Pressure Equipment Directive: 97/23/EG
Declaration of Conformity



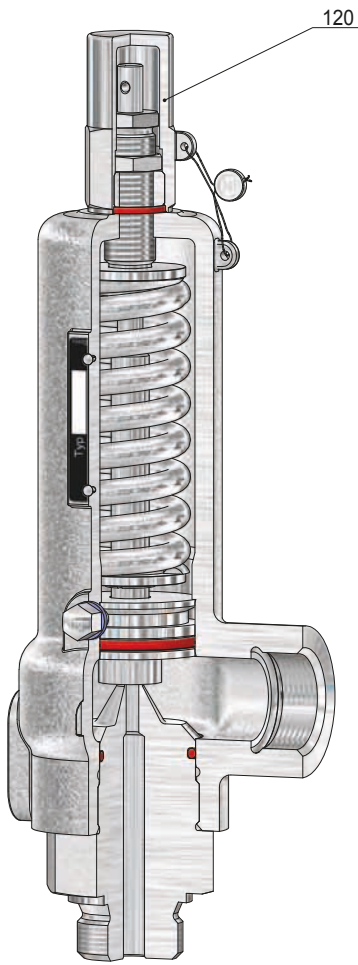
Size	Inlet					Outlet				Dimensions		Height 'H' for head		Coefficient		Set pressure		Weight
	E	SE	d	l (G)	l (NPT)	A	SA	t (G)	t (NPT)	SW	do	A	C	D/G	F	p min.	p max.	
		[mm]	[mm]	[mm]	[mm]		[mm]	[mm]	[mm]	[mm]	[mm]	[mm]	[mm]	αw max.	αw	[bar(g)]	[bar(g)]	~ [kg]
3/4	65	32	16	14	1	60	18	19	50	8	290	275		0,08	0,05	100	600	4,2
														0,08	0,05	100	1100	
	1	39	18	18										0,08	0,05	80	250	
	8													0,08	0,05	100	600	

other design on request

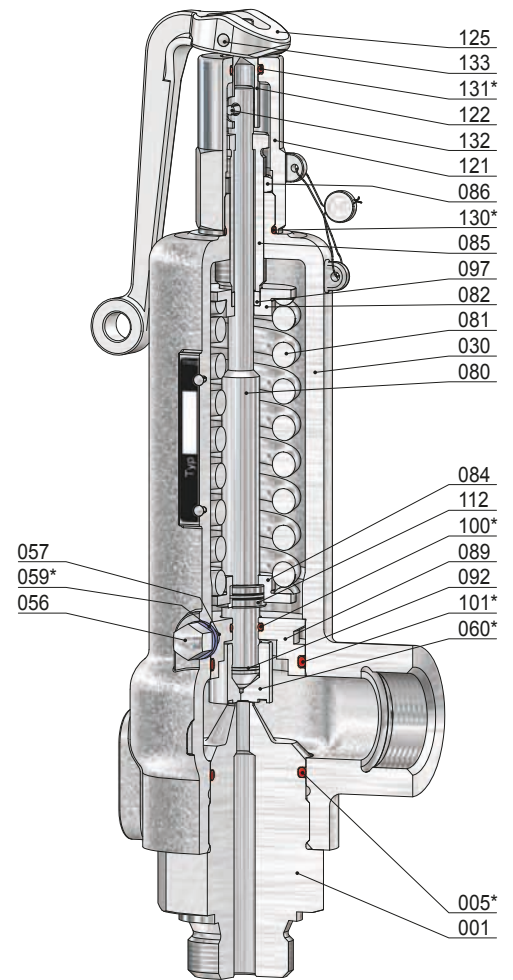
Relief-Valve, springloaded

for steam, gases and liquids in closed completion

Typ 21



head C



head A

Item	Piece	Description	Item	Piece	Description
001	1	inlet body	089	1	guide plate
005 *	1	o-ring	092	1	lock ring
030	1	spring bonnet	097	1	glide ring
056	2	lock nut	100 *	1	o-ring
057	2	screwed pin	101 *	1	o-ring
059 *	2	o-ring	112	1	split ring
060 *	1	disc, complete	120	1	cap
560	1	disc	121	1	lifting cap
062	1	soft sealing	122	1	coupling
063	1	disc ring	125	1	lifting lever
080	1	spindle	130 *	1	o-ring
081	1	spring	131 *	1	o-ring
082	1	springplate, upper	132	1	groove pin
084	1	springplate, lower	133	1	groove pin
085	1	adjusting screw			
086	1	lock nut			

* expendable parts