

Relief-Valve, springloaded

for steam, gases and liquids in closed completion

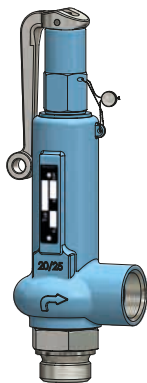
Typ 18

Standard version:

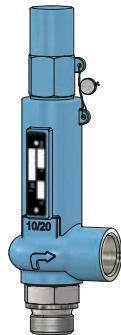
		Temperature ranges	
Material:	Inlet body / Spring bonnet	metal seated	
Typ 18.1:	1.4104 / 0.7043	-10°C to 280°C	
Typ 18.2:	1.4571 / 1.4581	-60°C to 280°C	
Typ 18.7:	1.4571 / 1.4308 <i>only with head C</i>	-200°C to 280°C	
Connections:		soft seated	
Screwed connection: DIN ISO 228 / ASME B1.20.1		see techn. appendix: KWD-1	

Approvals:

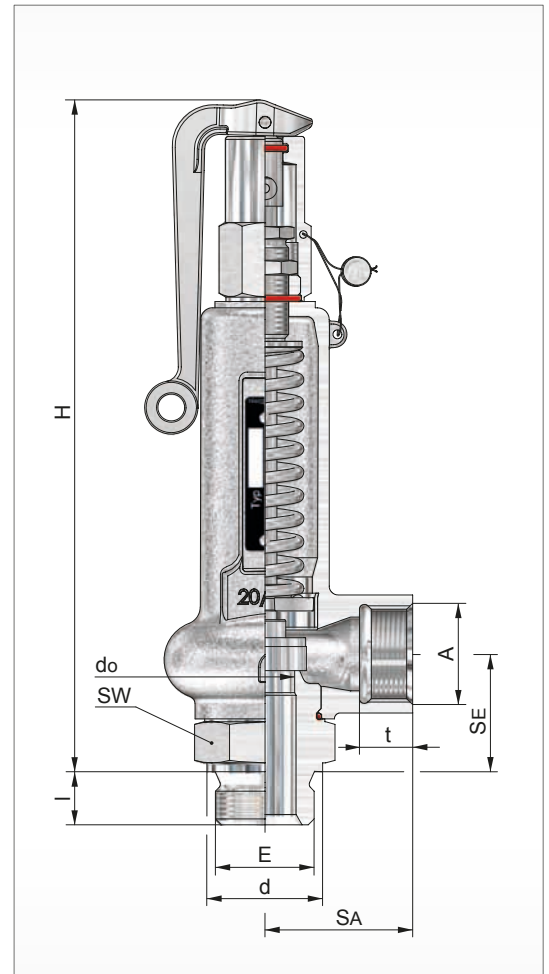
Pressure Equipment Directive: 97/23/EG
Declaration of Conformity



Size II
head A



Size I
head C



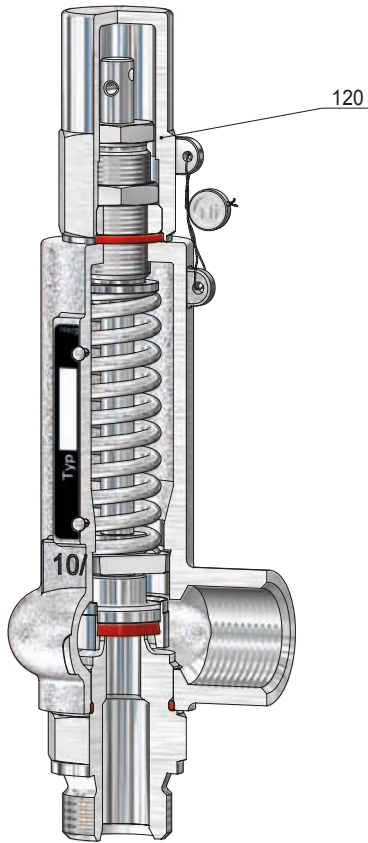
Size	Inlet					Outlet				Dimensions		Height 'H' for head		Coefficient		Set pressure		Weight ~ [kg]
	E	SE	d	l (G)	l (NPT)	A	SA	t (G)	t (NPT)	SW	do	A	C	D/G Qw max.	F Qw	p min. [bar(g)]	p max. [bar(g)]	
	[mm]	[mm]	[mm]	[mm]	[mm]	[mm]	[mm]	[mm]	[mm]	[mm]	[mm]	[mm]	[mm]	[mm]	[mm]	[bar(g)]	[bar(g)]	[kg]
I	3/8	34	22	12	11	1/2 3/4	40	14	14	32	10	200	185	0,38	0,30	0,1	140	1,0
														0,46	0,32	3,0	200	
			0,30	0,21	0,1									70				
			0,38	0,30	0,1									140				
	1/2	34	26	14	14	1/2 3/4	40	17	15	32	8	200	185	0,46	0,32	3,0	200	
														0,14	-	0,05	40	
			0,30	0,21	0,1									70				
			0,38	0,30	0,1									140				
3/4	34	32	16	14	1/2 3/4	40	17	15	32	10	200	185	0,46	0,32	3,0	200		
													0,14	-	0,05	40		
		0,30	0,21	0,1									70					
		0,38	0,30	0,1									140					
II	1/2	40	26	14	14	1	50	18	17	41	230	215	0,41	0,32	0,1	70	1,6	
													0,32	0,25	0,1	32		
			0,41	0,32	0,1								70					
			0,12	0,09	0,1								20					
	3/4	40	32	16	14	1	50	18	17	41	20	230	215	0,32	0,25	0,1		32
														0,41	0,32	0,1		70
			0,12	0,09	0,1									20				
			0,32	0,25	0,1									32				
1	40	39	18	18	1	50	18	17	41	16	230	215	0,12	0,09	0,1	20	1,8	
													0,41	0,32	0,1	70		
		0,12	0,09	0,1									20					
		0,32	0,25	0,1									32					
1 1/4	40	49	20	18	1	50	18	17	50	16	230	215	0,12	0,09	0,1	20		
													0,32	0,25	0,1	32		
		0,12	0,09	0,1									20					
		0,32	0,25	0,1									32					

other design on request

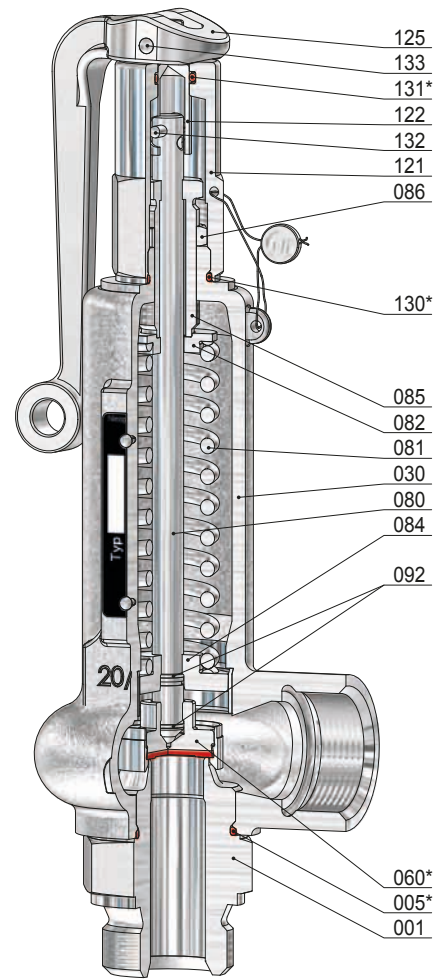
Relief-Valve, springloaded

for steam, gases and liquids in closed completion

Typ 18



Size I
head C



Size I
head A

Item	Piece	Description	Item	Piece	Description
001	1	inlet body	120	1	cap
005 *	1	o-ring	121	1	lifting cap
030	1	spring bonnet	122	1	coupling
060 *	1	disc, complete	125	1	lifting button
062	1	soft sealing	130 *	1	o-ring
063	1	disc ring	131 *	1	o-ring
080	1	spindle	132	1	groove pin
081	1	spring	133	1	groove pin
082	1	springplate, upper			
084	1	springplate, lower			
085	1	adjusting screw			
086	1	lock nut			
092	2	lock ring			

* expendable parts