

Relief-Valve, springloaded

for steam, gases and liquids in closed completion

Typ 14

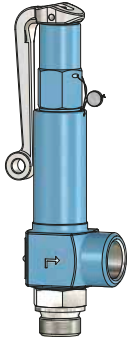
Standard version:

Material:	Inlet body	Spring bonnet	metal seated
Typ 14.1:	1.4104	/ 1.4104	-10°C to 280°C
Typ 14.2:	1.4404	/ 1.4404	-200°C to 280°C
Typ 14.7:	1.4571	/ 1.4571	-200°C to 280°C

Connections: soft seated
Screwed connection: DIN ISO 228 / ASME B1.20.1 see techn. appendix: KWD-1

Approvals:

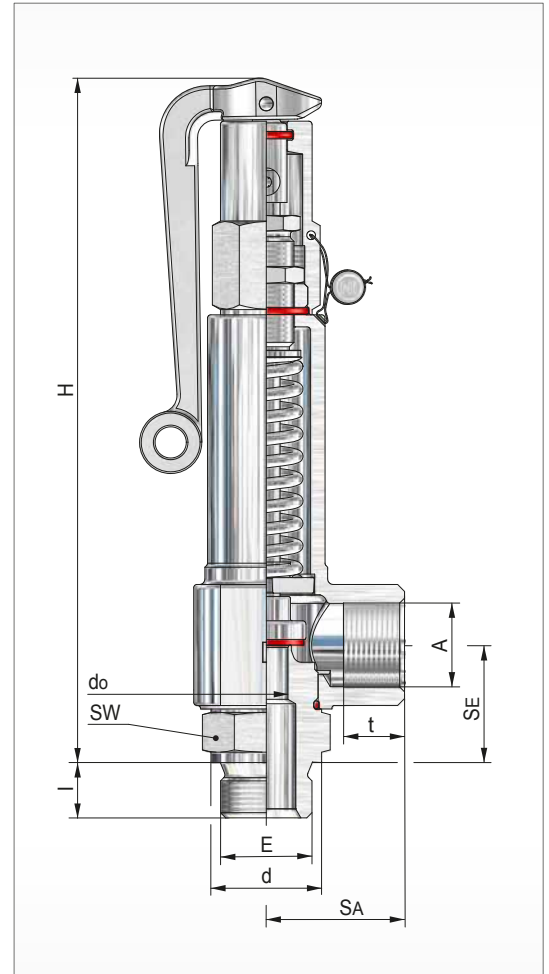
Pressure Equipment Directive: 97/23/EG
Declaration of Conformity



Size I
head A



Size I
head C



Size	Inlet					Outlet				Dimensions		Height 'H' for head			Coefficient		Set pressure		Weight ~ [kg]
	E	SE	d	l (G)	l (NPT)	A	SA	t (G)	t (NPT)	SW	do	A	C	D/G Q _w max.	F Q _w	p min. [bar(g)]	p max. [bar(g)]		
I	3/8	34	22	12	11	1/2	35	15	14	32	10	200	185	0,08	0,05	0,2	200	1,0	
														0,08	0,05	6,0	300		
														0,08	0,05	0,2	100		
														0,08	0,05	0,2	200		
														0,08	0,05	6,0	300		
														0,08	0,05	0,2	200		
	1/2	34	26	14	14	3/4	40	17	15	32	10	200	185	0,08	0,05	0,2	200		
														0,08	0,05	6,0	300		
														0,08	-	50,0	500		
														0,08	0,05	0,2	100		
														0,08	0,05	0,2	200		
														0,08	0,05	6,0	300		
3/4	34	32	16	14	1/2	35	15	14	32	10	200	185	0,08	0,05	0,2	200			
													0,08	0,05	6,0	300			
													0,08	0,05	0,2	200			
													0,08	0,05	6,0	300			
													0,08	0,05	0,2	200			
													0,08	0,05	50,0	500			

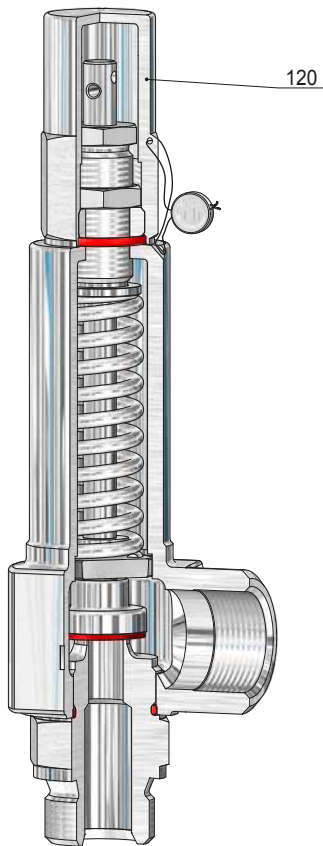
other design on request

¹⁾ type 14.1 to 300 bar(g)

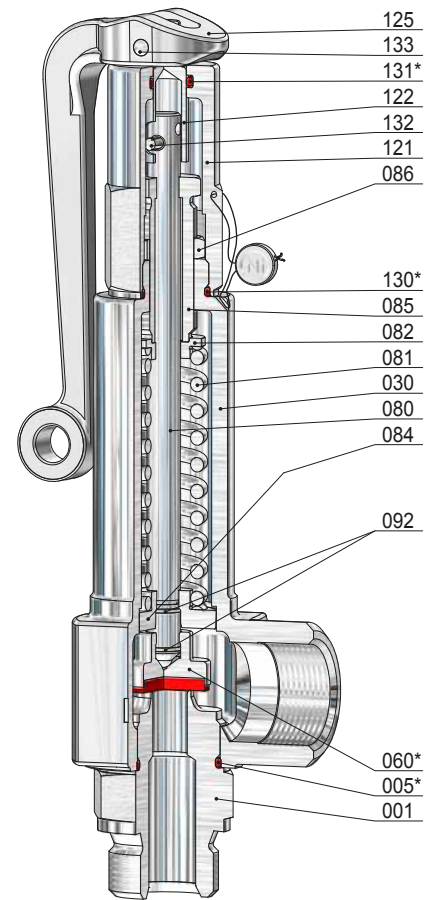
Relief-Valve, springloaded

for steam, gases and liquids in closed completion

Typ 14



Size I
head C



Size I
head A

Item	Piece	Description	Item	Piece	Description
001	1	inlet body	120	1	cap
005 *	1	o-ring	121	1	lifting cap
030	1	spring bonnet	122	1	coupling
060 *	1	disc, complete	125	1	lifting button
560	1	disc	130 *	1	o-ring
062	1	soft sealing	131 *	1	o-ring
080	1	spindle	132	1	groove pin
081	1	spring	133	1	groove pin
082	1	springplate, upper			
084	1	springplate, lower			
085	1	adjusting screw			
086	1	lock nut			
092	2	lock ring			

* expendable parts