

Relief-Valve, springloaded

for steam, gases and liquids in closed completion

Typ 13

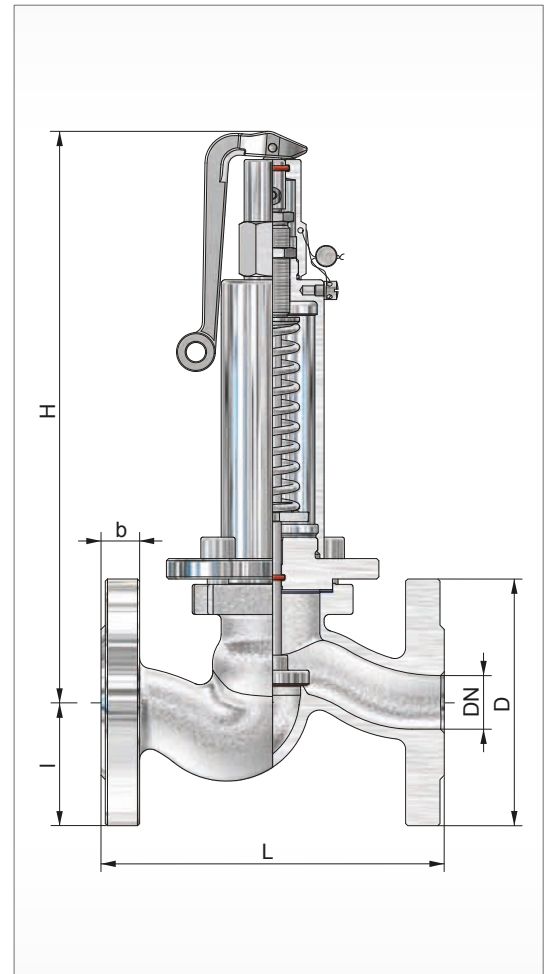
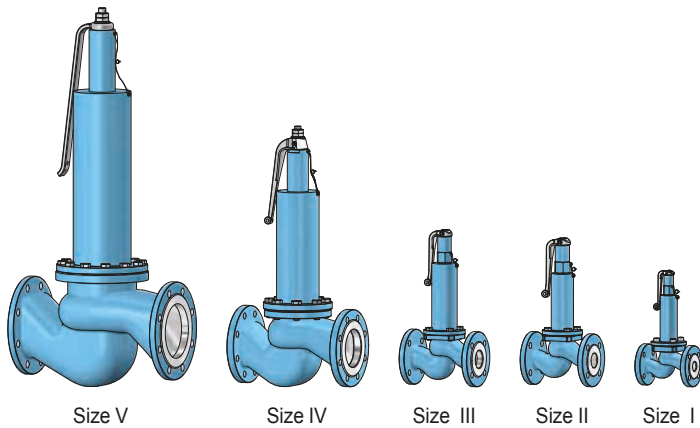
Standard version:

Operating temperature

Material:	Through valve / Spring bonnet	
Typ 13.1:	0.7043, 1.0619 / 1.0254	-10°C to 280°C
Typ 13.2:	1.4408 / 1.4301	-60°C to 350°C
Connections:		soft seated
Flange connections: DIN EN / ASME B16.5		see techn. appendix: KWD-1

Approvals:

Pressure Equipment Directive: 97/23/EG
Declaration of Conformity



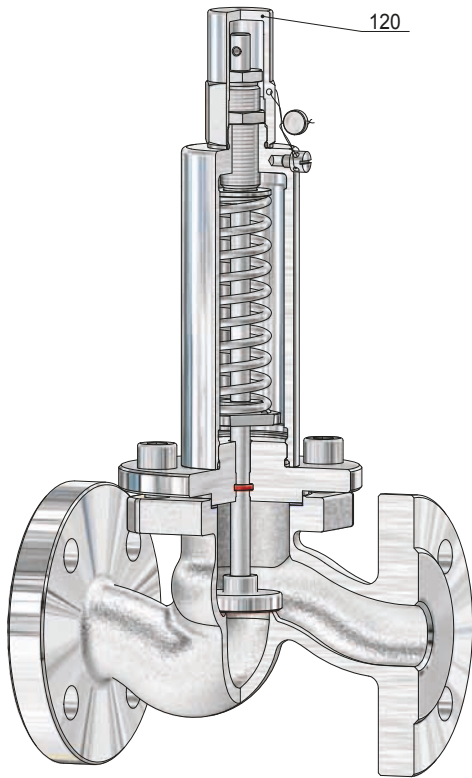
Size	Inlet									Outlet			Height 'H' for head			Set pressure		Weight ~ [kg]
	DN	NPS	PN / Class	do	D	PN16	b	PN40	L	h	DN	NPS	PN / Class	A	C	p min.	p max.	
	[mm]			[mm]	[mm]	[mm]	[mm]	[mm]	[mm]	[mm]				[mm]	[mm]	[bar(g)]	[bar(g)]	
I	15	1/2	16 - 40 150-300	20	95	14	16	130	47,5	15	1/2	16 - 40 150-300	250	235	0,15	25,0	4,0	
	20	3/4		20	105	16	18	150	52,5	20	3/4		260	245	0,15	25,0	4,0	
	25	1		25	115	16	18	160	57,5	25	1		285	270	0,25	30,0	5,5	
II	32	1 1/4		32	140	16	18	180	70,0	32	1 1/4		360	340	0,10	25,0	9,8	
	40	1 1/2		40	150	16	18	200	75,0	40	1 1/2		365	345	0,10	20,0	10,3	
III	50	2		50	165	18	20	230	82,5	50	2		370	350	0,06	18,0	13,2	
	65	2 1/2		65	185	18	22	290	92,5	65	2 1/2		380	360	0,06	14,0	17,5	
IV	80	3		80	200	20	24	310	100,0	80	3		620	540	0,10	10,0	32,3	
	100	4		100	220/235	20	24	350	110,0	100	4		630	550	1,80	8,0	42,7	
V	125	5		125	250/270	22	26	400	125,0	125	5		645	585	0,10	6,0	67,0	
	150	6		150	285/300	22	28	480	142,5	150	6		935	815	0,10	6,0	107,0	

other design on request

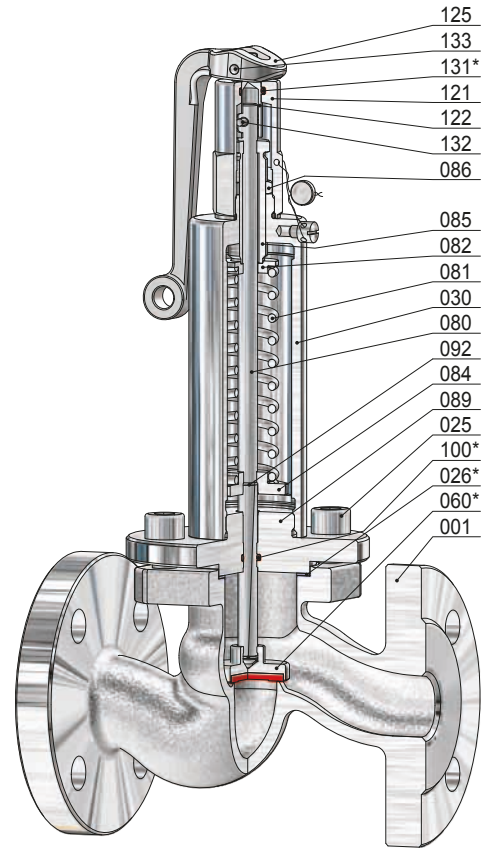
Relief-Valve, springloaded

for steam, gases and liquids in closed completion

Typ 13



Size I
head C



Size I
head A

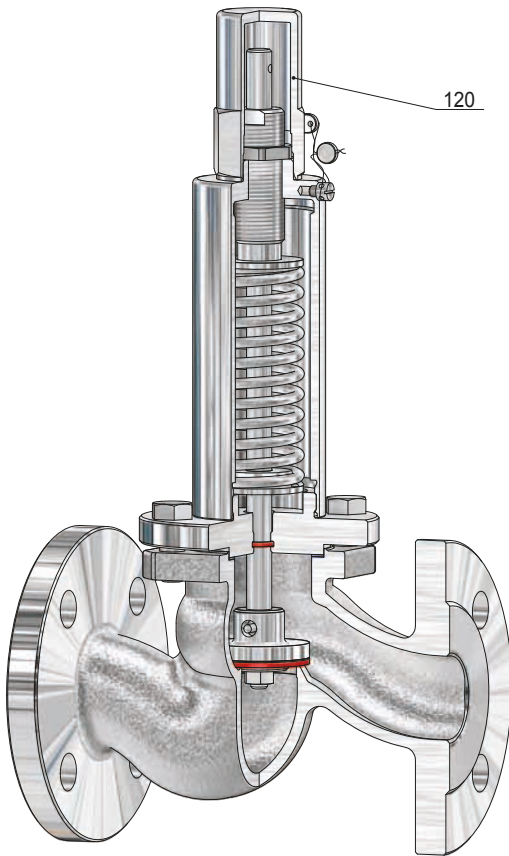
Item	Piece	Description	Item	Piece	Description
001	1	Through valve	100 *	1	o-ring
025	4	screw	120	1	cap
026 *	1	packing ring	121	1	lifting cap
030	1	spring bonnet	122	1	coupling
060 *	1	disc, complete	125	1	lifting button
560	1	disc	131 *	1	o-ring
062	1	soft sealing	132	1	groove pin
080	1	spindle	133	1	groove pin
081	1	spring			
082	1	springplate, upper			
084	1	springplate, lower			
085	1	adjusting screw			
086	1	lock nut			
089	1	guide plate			
092	2	lock ring			

* expendable parts

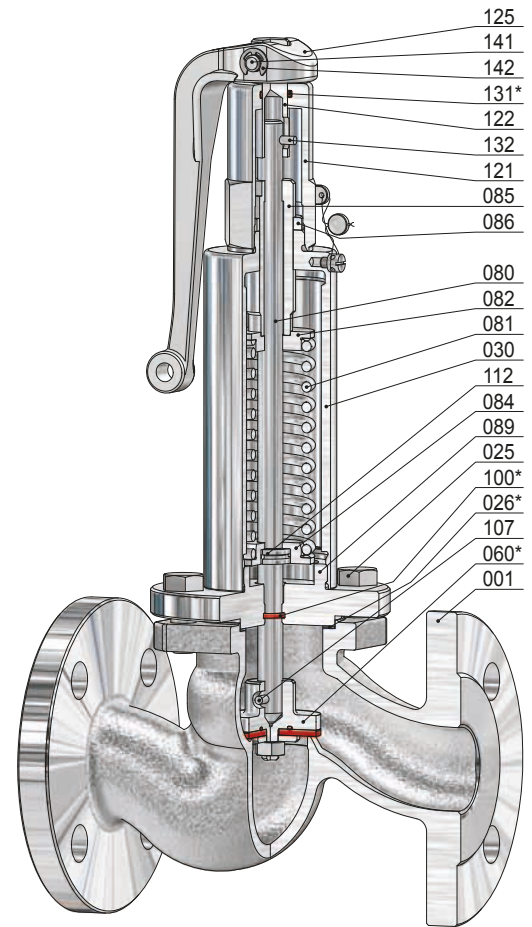
Relief-Valve, springloaded

for steam, gases and liquids in closed completion

Typ 13



Size II
head C



Size II
head A

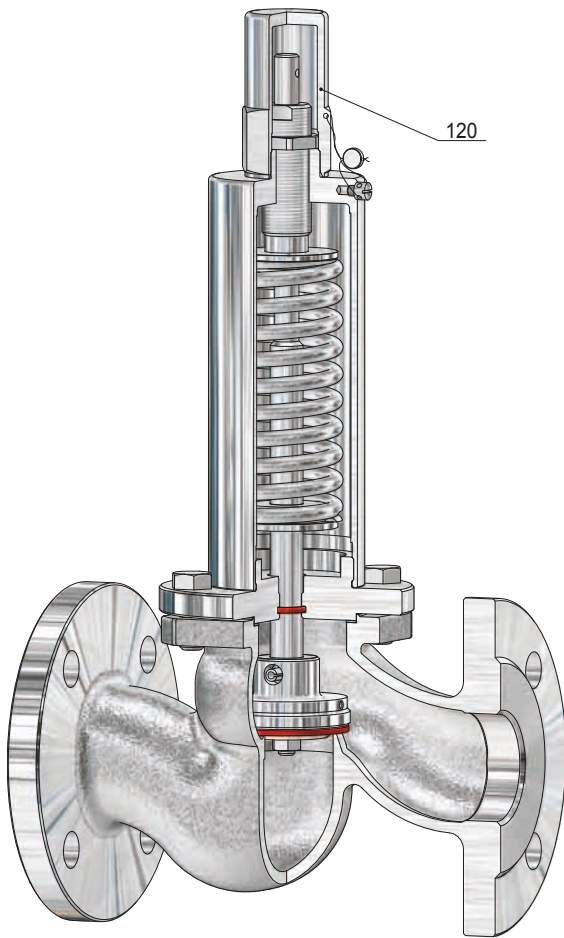
Item	Piece	Description	Item	Piece	Description
001	1	Through valve	086	1	lock nut
025	4	screw	089	1	guide plate
026 *	1	packing ring	100 *	1	o-ring
030	1	spring bonnet	107	1	spring pin
060 *	1	disc, complete	112	1	split ring
560	1	disc	120	1	cap
062	1	soft sealing	121	1	lifting cap
065	1	disc bolt	122	1	coupling
071	1	o-ring	125	1	lifting button
072	1	locking ring	131 *	1	o-ring
080	1	spindle	132	1	groove pin
081	1	spring	141	1	bolt
082	1	springplate, upper	142	2	stop washer
084	1	springplate, lower			
085	1	adjusting screw			

* expendable parts

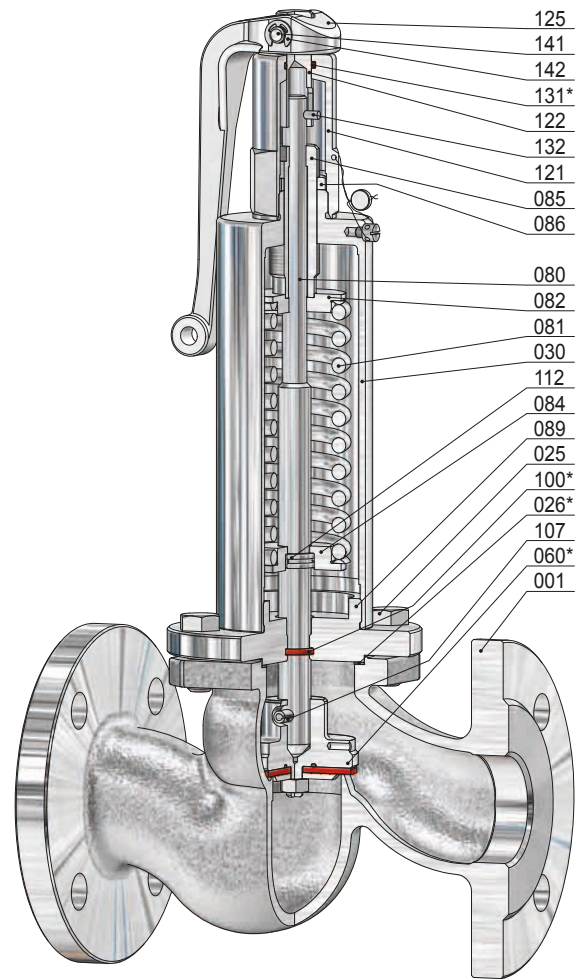
Relief-Valve, springloaded

for steam, gases and liquids in closed completion

Typ 13



Size III
head C



Size III
head A

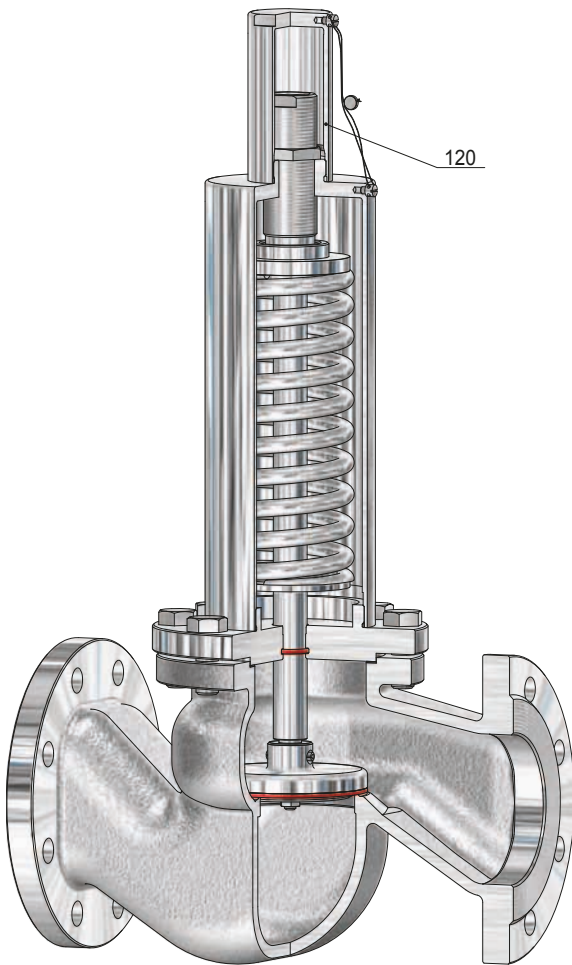
Item	Piece	Description	Item	Piece	Description
001	1	through valve	086	1	lock nut
025	4	screw	089	1	guide plate
026 *	1	packing ring	100 *	1	o-ring
030	1	spring bonnet	107	1	spring pin
060 *	1	disc, complete	112	1	split ring
560	1	disc	120	1	cap
062	1	soft sealing	121	1	lifting cap
065	1	disc bolt	122	1	coupling
071	1	o-ring	125	1	lifting button
072	1	locking ring	131 *	1	o-ring
080	1	spindle	132	1	groove pin
081	1	spring	141	1	bolt
082	1	springplate, upper	142	2	stop washer
084	1	springplate, lower			
085	1	adjusting screw			

* expendable parts

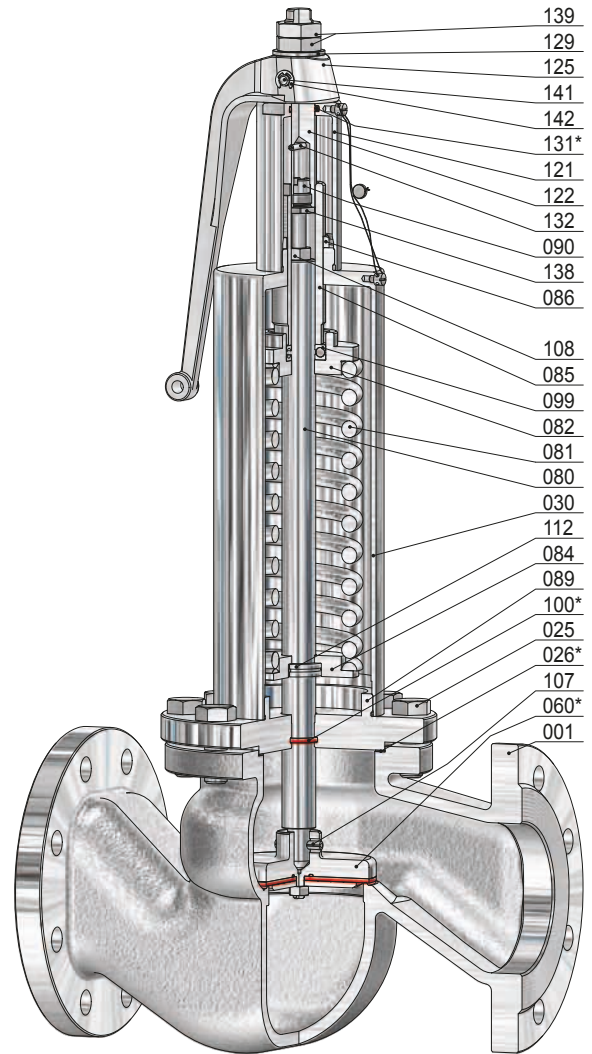
Relief-Valve, springloaded

for steam, gases and liquids in closed completion

Typ 13



Size IV
head C



Size IV
head A

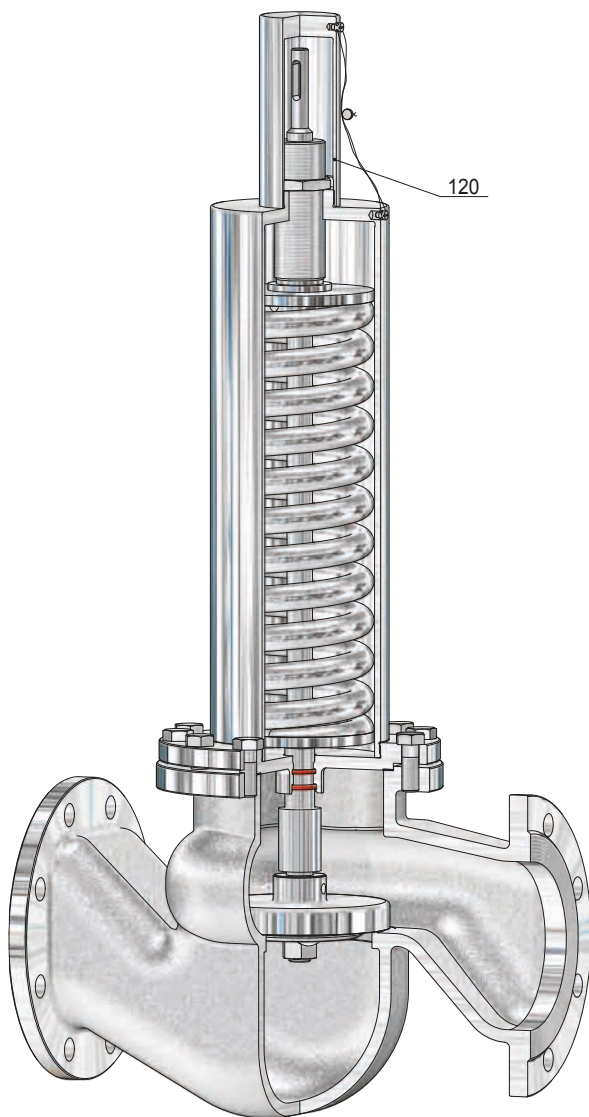
Item	Piece	Description	Item	Piece	Description
001	1	through valve	100 *	1	o-ring
025	8	screw	107	1	spring pin
026 *	1	packing ring	108	1	nut
030	1	spring bonnet	112	1	split ring
060 *	1	disc, complete	120	1	cap
560	1	disc	121	1	lifting cap
062	1	soft sealing	122	1	coupling
065	1	disc bolt	125	1	lifting button
071	1	o-ring	129	1	pressure ring
072	1	locking ring	131 *	1	o-ring
080	1	spindle	132	1	groove pin
081	1	spring	138	1	screw
082	1	springplate, upper	139	2	nut
084	1	springplate, lower	141	1	bolt
085	1	adjusting screw	142	2	stop washer
086	1	lock nut			
089	1	guide plate			
090	1	screw			
099	1	antifriction bearing			

* expendable parts

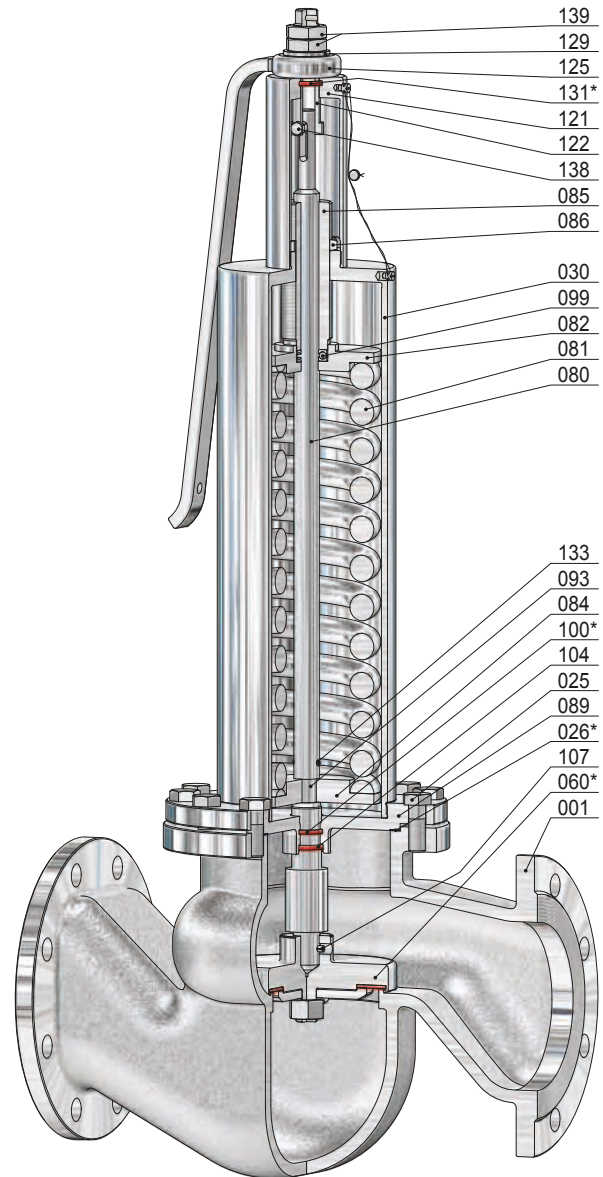
Relief-Valve, springloaded

for steam, gases and liquids in closed completion

Typ 13



Size V
head C



Size V
head A

Item	Piece	Description	Item	Piece	Description
001	1	through valve	093	1	joining piece
025	12	screw	099	1	antifriction bearing
026 *	1	packing ring	100 *	1	o-ring
030	1	spring bonnet	104	1	turcon ring
060 *	1	disc, complete	107	1	spring pin
560	1	disc	120	1	cap
062	1	soft sealing	121	1	lifting cap
065	1	disc bolt	122	1	coupling
072	1	locking ring	125	1	lifting button
605	1	locking plate	129	1	pressure ring
080	1	spindle	131 *	1	o-ring
081	1	spring	133	1	groove pin
082	1	springplate, upper	138	1	screw
084	1	springplate, lower	139	2	nut
085	1	adjusting screw			
086	1	lock nut			
089	1	guide plate			

* expendable parts