

# Relief-Valve, springloaded

for non-toxic steam, gases and liquids

# Typ 11

### Standard version:

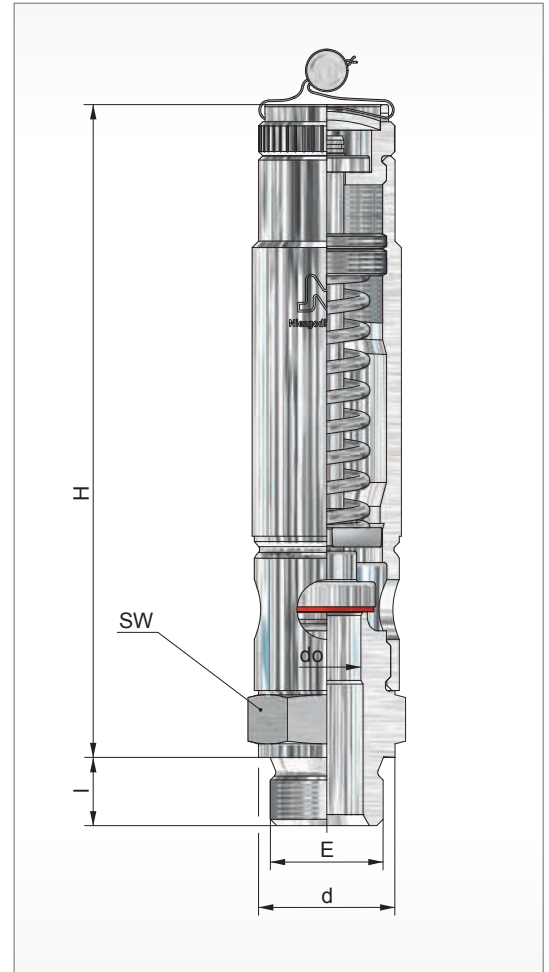
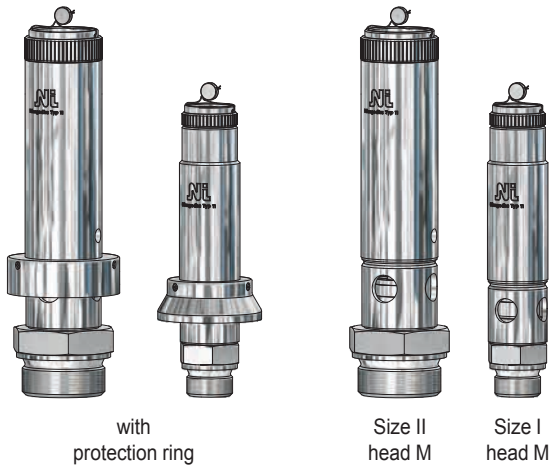
**Material:** Inlet body / Bonnet pipe metal seated  
**Typ 11.1:** 1.4104 / 2.0401 -10°C to 130°C  
**Typ 11.2:** 1.4571 / 1.4301 -60°C to 130°C

### Temperature ranges

**Connections:** soft seated  
 Screwed connection: DIN ISO 228 / ASME B1.20.1 see techn. appendix: KWD-1

### Approvals:

**Pressure Equipment Directive:** 97/23/EG  
 Declaration of Conformity



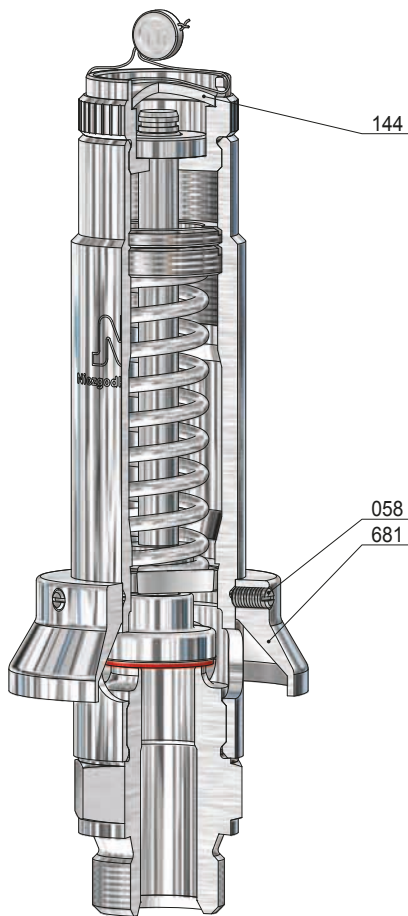
| Size | Inlet |      |       |         | Outlet<br>A | Dimensions |      |      | Height 'H' for head |          |  | Set pressure |    | Weight<br>~ [kg] |
|------|-------|------|-------|---------|-------------|------------|------|------|---------------------|----------|--|--------------|----|------------------|
|      | E     | d    | I (G) | I (NPT) |             | SW         | do   | M    | p min.              | p max.   |  |              |    |                  |
|      |       | [mm] | [mm]  | [mm]    | [mm]        | [mm]       | [mm] | [mm] | [bar(g)]            | [bar(g)] |  |              |    |                  |
| I    | 3/8   | 22   | 12    | 11      | free        | 32         | 10   | 153  |                     |          |  | 0,1          | 52 | 0,5              |
|      |       |      |       |         |             |            | 8    |      |                     |          |  | 15,0         | 84 |                  |
|      |       |      |       |         |             |            | 12,5 |      |                     |          |  | 0,1          | 45 |                  |
|      | 1/2   | 26   | 14    | 14      |             |            | 10   |      |                     |          |  | 0,1          | 52 |                  |
|      |       |      |       |         |             |            | 8    |      |                     |          |  | 15,0         | 84 |                  |
|      |       |      |       |         |             |            | 16   |      |                     |          |  | 0,05         | 31 |                  |
|      | 3/4   | 32   | 16    | 14      |             |            | 12,5 |      |                     |          |  | 0,1          | 45 |                  |
|      |       |      |       |         |             |            | 10   |      |                     |          |  | 0,1          | 52 |                  |
|      |       |      |       |         |             |            | 8    |      |                     |          |  | 15,0         | 84 |                  |
| II   | 1/2   | 26   | 14    | 14      | free        | 41         | 12,5 | 190  |                     |          |  | 0,09         | 67 | 0,8              |
|      |       |      |       |         |             |            | 16   |      |                     |          |  | 0,06         | 60 |                  |
|      | 3/4   | 32   | 16    | 14      |             | 41         | 12,5 |      |                     |          |  | 0,09         | 67 |                  |
|      |       |      |       |         |             |            | 16   |      |                     |          |  | 0,06         | 60 |                  |
|      | 1     | 39   | 18    | 18      |             | 41         | 12,5 |      |                     |          |  | 0,09         | 67 |                  |
|      |       |      |       |         |             |            | 27   |      |                     |          |  | 0,03         | 30 |                  |
|      | 1 1/4 | 49   | 20    | 18      |             | 50         | 22   |      |                     |          |  | 0,04         | 50 |                  |
|      |       |      |       |         |             |            | 16   |      |                     |          |  | 0,06         | 60 |                  |
|      | 1 1/2 | 55   | 22    | 19      |             | 55         | 27   |      |                     |          |  | 0,03         | 30 |                  |
|      |       |      |       |         |             |            | 22   |      |                     |          |  | 0,04         | 50 |                  |
|      | 2     | 60   | 24    | 20      |             | 60         | 27   |      |                     |          |  | 0,03         | 30 |                  |
|      |       |      |       |         |             |            |      |      |                     |          |  |              |    |                  |

other design on request

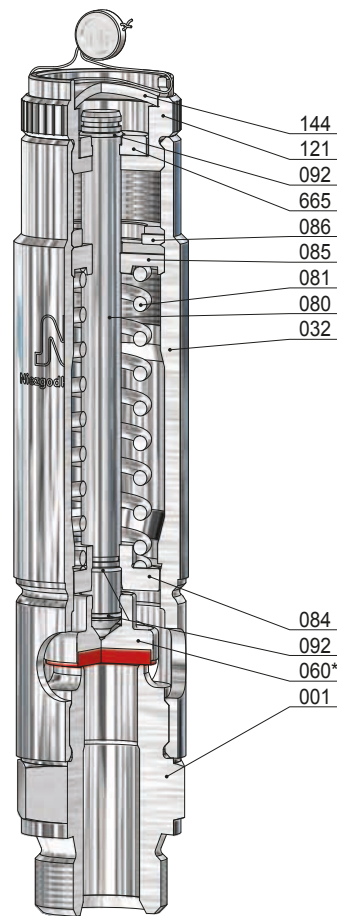
# Relief-Valve, springloaded

for non-toxic steam, gases and liquids

## Typ 11



with protection ring  
recommend at each do  
for  $p > 30$  [bar(g)]



Size I  
head M, liftable

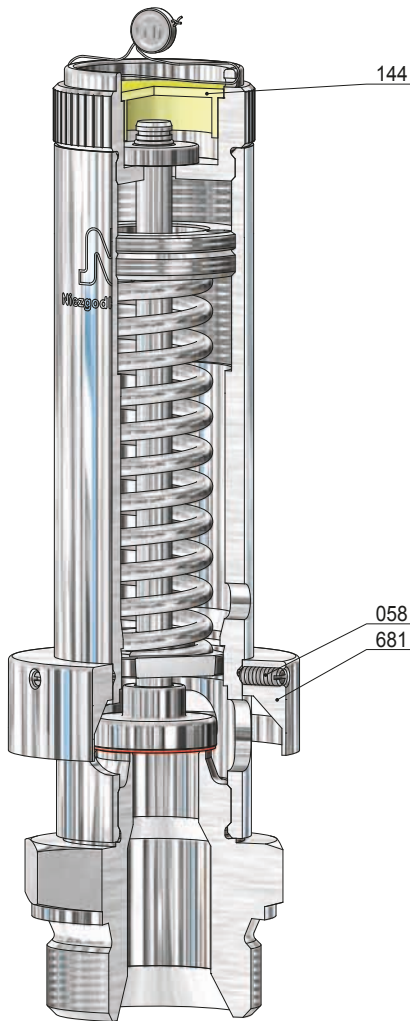
| Item  | Piece | Description        | Item | Piece | Description     |
|-------|-------|--------------------|------|-------|-----------------|
| 001   | 1     | inlet body         | 121  | 1     | lifting cap     |
| 032   | 1     | bonnet pipe        | 144  | 1     | lock washer     |
| 058   | 3     | screwed pin        | 665  | 1     | washer          |
| 060 * | 1     | disc, complete     | 681  | 1     | protection ring |
| 560   | 1     | disc               |      |       |                 |
| 062   | 1     | soft sealing       |      |       |                 |
| 080   | 1     | spindle            |      |       |                 |
| 081   | 1     | spring             |      |       |                 |
| 084   | 1     | springplate, lower |      |       |                 |
| 085   | 1     | adjusting screw    |      |       |                 |
| 086   | 1     | lock nut           |      |       |                 |
| 092   | 3     | lock ring          |      |       |                 |

\* expendable parts

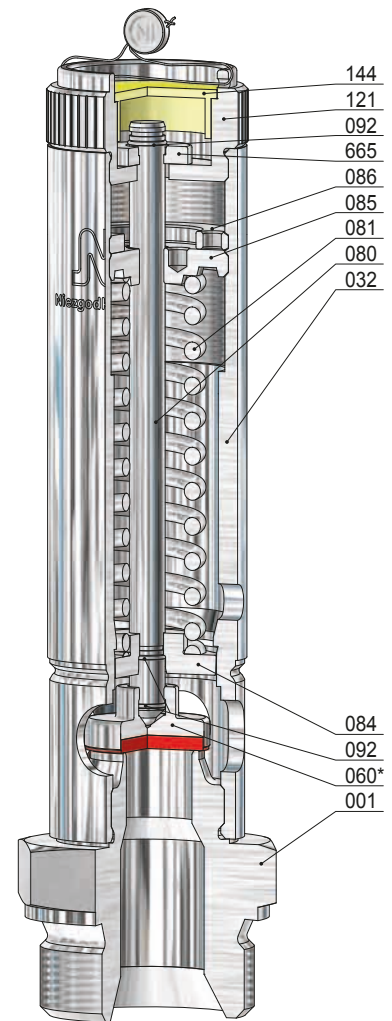
# Relief-Valve, springloaded

for non-toxic steam, gases and liquids

## Typ 11



with protection ring  
 recommend at each  
 do 12,5; 16: for / p > 30 [bar(g)]  
 do 22: for / p > 10 [bar(g)]  
 do 27: for / p > 8 [bar(g)]



Size II  
 head M, liftable

| Item  | Piece | Description        | Item | Piece | Description     |
|-------|-------|--------------------|------|-------|-----------------|
| 001   | 1     | inlet body         | 121  | 1     | lifting cap     |
| 032   | 1     | bonnet pipe        | 144  | 1     | lock washer     |
| 058   | 3     | screwed pin        | 665  | 1     | washer          |
| 060 * | 1     | disc, complete     | 681  | 1     | protection ring |
| 560   | 1     | disc               |      |       |                 |
| 062   | 1     | soft sealing       |      |       |                 |
| 080   | 1     | spindle            |      |       |                 |
| 081   | 1     | spring             |      |       |                 |
| 084   | 1     | springplate, lower |      |       |                 |
| 085   | 1     | adjusting screw    |      |       |                 |
| 086   | 1     | lock nut           |      |       |                 |
| 092   | 3     | lock ring          |      |       |                 |

\* expendable parts