

# Relief-Valve, springloaded

for steam, gases and liquids in closed completion

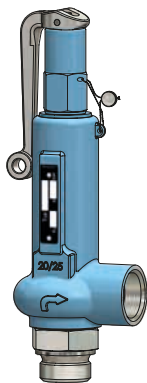
# Typ 1

### Standard version:

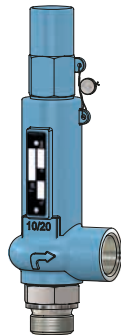
		Temperature ranges	
<b>Material:</b>	Inlet body / Spring bonnet	metal seated	
<b>Typ 1.1:</b>	1.4104 / 0.7043	-10°C to 280°C	
<b>Typ 1.2:</b>	1.4571 / 1.4581	-60°C to 280°C	
<b>Typ 1.7:</b>	1.4571 / 1.4308 <i>only with head C</i>	-200°C to 280°C	
<b>Connections:</b>		soft seated	
Screwed connection: DIN ISO 228 / ASME B1.20.1		see techn. appendix: KWD-1	

### Approvals:

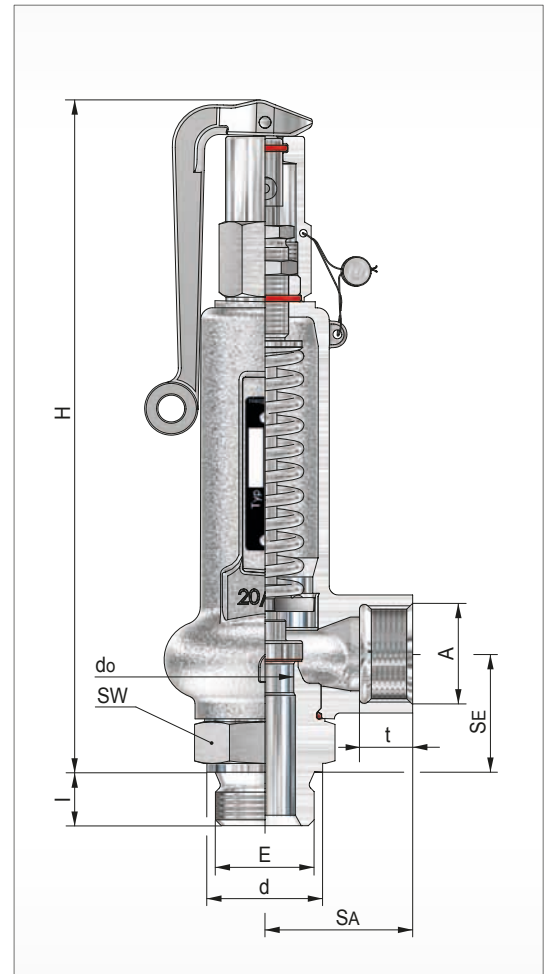
**Pressure Equipment Directive:** 97/23/EG  
Declaration of Conformity



Size II  
head A



Size I  
head C



Size	Inlet					Outlet				Dimensions		Height 'H' for head		Coefficient		Set pressure		Weight ~ [kg]																																																
	E	SE	d	l (G)	l (NPT)	A	SA	t (G)	t (NPT)	SW	do	A	C	D/G Qw max.	F Qw	p min. [bar(g)]	p max. [bar(g)]																																																	
	[mm]	[mm]	[mm]	[mm]	[mm]	[mm]	[mm]	[mm]	[mm]	[mm]	[mm]	[mm]	[mm]			[bar(g)]	[bar(g)]																																																	
I	3/8	34	22	12	11	1/2	40	14	14	32	10	200	185	0,08	0,05	0,15	160	1,0																																																
																			1/2	26	14	14	17	15	8	200	0,08	0,05	0,20	200																																				
																															3/4	32	16	14	17	15	12,5	200	0,08	0,05	0,12	155																								
																																											1	39	18	18	17	15	10	200	0,08	0,05	0,15	160												
																																																							1 1/4	49	20	18	17	15	8	200	0,08	0,05	0,20	200
	2	60	24	20	17	15	16	200	0,08	0,05	0,07	70																																																						
													1,6	40	32	16	14	14	12,5	200	0,08	0,05	0,12	155																																										
																									1,8	50	20	18	18	18	10	200	0,08	0,05	0,15	160																														
																																					1,8	55	22	19	17	15	8	200	0,08	0,05	0,20	200																		
																																																	1,8	60	24	20	17	15	6 1)	200	-	-	0,40	500						
																																																													1,8	60	24	20	17	15
1,8	60	24	20	17	15	8	200	0,08	0,05	0,30	500 2)																																																							
												1,8	60	24	20	17	15	16	200	0,08	0,05	0,10	130																																											
																								1,8	60	24	20	17	15	10	200	0,08	0,05	0,18	190																															
																																				1,8	60	24	20	17	15	20	200	0,08	0,05	0,30	500 2)																			
																																																1,8	60	24	20	17	15	10	200	0,08	0,05	0,10	100							
																																																												1,8	60	24	20	17	15	12,5
1,8	60	24	20	17	15	8	200	0,08	0,05	0,18	190																																																							
												1,8	60	24	20	17	15	22	200	0,08	0,05	0,07	75																																											
																								1,8	60	24	20	17	15	20	200	0,08	0,05	0,10	100																															
																																				1,8	60	24	20	17	15	16	200	0,08	0,10	0,10	130																			
																																																1,8	60	24	20	17	15	27	200	0,08	0,05	0,05	45							
																																																												1,8	60	24	20	17	15	27

other design on request

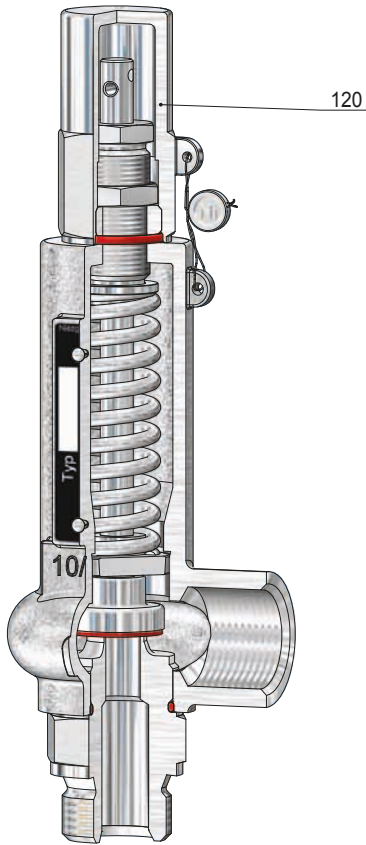
1) not in type 1.1 with outlet 3/4

2) type 1.1 to 200 [bar(g)]

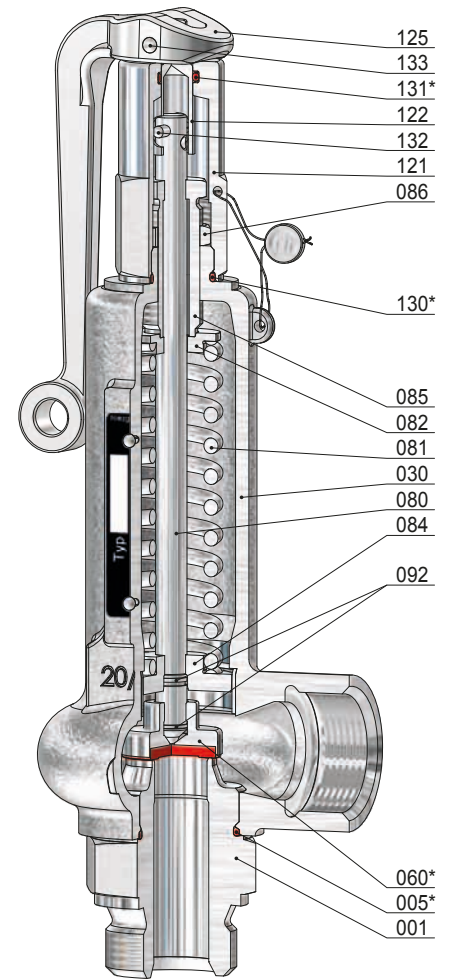
# Relief-Valve, springloaded

for steam, gases and liquids in closed completion

## Typ 1



Size I  
head C



Size II  
head A

Item	Piece	Description	Item	Piece	Description
001	1	inlet body	120	1	cap
005 *	1	o-ring	121	1	lifting cap
030	1	spring bonnet	122	1	coupling
060 *	1	disc, complete	125	1	lifting button
560	1	disc	130 *	1	o-ring
062	1	soft sealing	131 *	1	o-ring
080	1	spindle	132	1	groove pin
081	1	spring	133	1	groove pin
082	1	springplate, upper			
084	1	springplate, lower			
085	1	adjusting screw			
086	1	lock nut			
092	2	lock ring			

\* expendable parts