

FIG 568 ANTI-VACUUM VALVE

FEATURES & BENEFITS

The NABIC Fig 568 gunmetal Anti-Vacuum Valve is set to open at a vacuum pressure of 50mbar. A dust cap prevents entry of foreign matter. WRAS approved.

- Size Range: DN15 - DN50
- PTFE to metal seating
- Gunmetal
- Viton to metal seating available.

INSTALLATION

Fig 568 Anti-Vacuum valves are used to protect drying cylinders, storage cylinders, calorifiers and tankers from collapse due to internal vacuum. They are also used on the steam systems, to assist condensate drainage and to prevent suction of contents from vats. Vacuum Valves are normally fitted vertically, at the top of the vessel or pipeline being protected, horizontal revolving cylinders however should have a Fig 568 fitted at each end, diametrically opposite one another. The operation of valves in service should be checked every twelve months.

PRESSURE RATINGS & TEMPERATURE RANGE

MAX PRESSURE (bar)	MIN - MAX TEMPERATURE (°C)
13.5	-20 to 195

DIMENSIONS & WEIGHTS

SIZE DN	A (mm)	B (mm)	C BSPT (mm)	D-HEX	WEIGHT KG
15	58	35	1/2"	24	0.10
20	61	36	3/4"	30	0.16
25	66	39	1"	36	0.26
32	76	43	1 1/4"	46	0.52
40	90	51	1 1/2"	52	0.77
50	94	58	2"	65	1.22

PART NAME & MATERIALS

ITEM NO.	PART NAME	MATERIAL
1	Body	Bronze, BS EN 1982:1999 CB/CC491K
2	Seat Seal Holder	Brass, BE EN 12164:2011 CW602N
3	Spindle	Brass, BS EN 12164:2011 CW614N
4	Cap	Brass, BS EN 12164:2011 CW614N
5	Spring	Stainless Steel BS2056 302S26
6	Seat Seal	PTFE
7	Seat Seal Retaining Plate	Brass, BS EN 12164:2011 CW602
8	O-Ring	Viton E60C



MEDIUM

Hot water, steam, air.

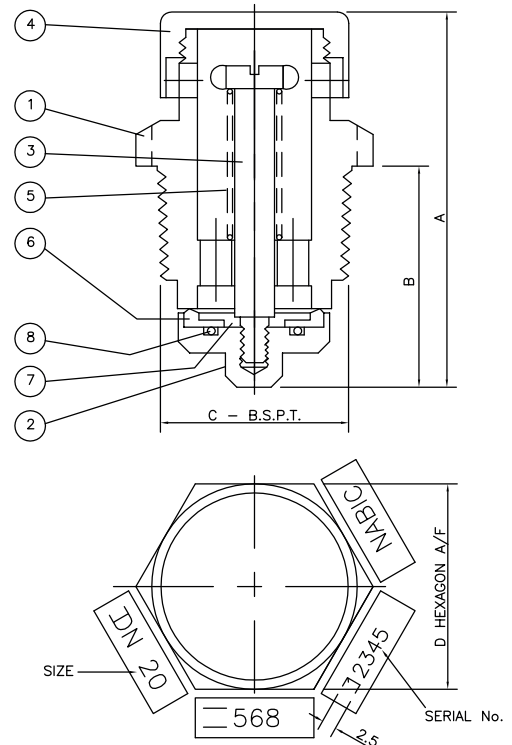
PIPE CONNECTIONS

BSPT (R) BS EN 10226-2. Male connections, R1/2, R3/4", R1", R1 1/4", R1 1/2" and R2" available.

PRODUCT TESTING

All valves are 100% production tested.

DIMENSIONAL DRAWING



APPROVALS



ISO 14001 Reg No. EMS 78657

FM00311 ISO 9001



DISCHARGE CAPABILITIES

The capacity of an anti-vacuum valve should be equal to or greater than the rate of the vacuum formation in the vessel being protected. To assist selection, reference should be made to BS 853 cl 10.3 or to the capacities of the Fig 568 tabulated below:

AIR						
std. litres/sec						
VACUUM PRESSURE mBar	DN15	DN20	DN25	DN32	DN40	DN50
250	2	5	10	21	32	52
500	3	9	17	32	53	71

NABIC®

46-48 WILBURY WAY, HITCHIN, HERTFORDSHIRE, SG4 0UD
 Tel: +44 (0) 1462 443 278 Fax: +44 (0) 1462 443 127
 E-mail: nabicsales@cranebsu.com Web: www.nabicvalves.com

Every effort has been made to ensure that the information contained in this publication is accurate at the time of publishing. NABIC assumes no responsibility or liability for typographical errors or omissions or for any misinterpretation of the information within the publication and reserves the right to change without notice.

N_Fig.568
0116

OUR GENIUS IS VALVES

