

### FIG 175 3 WAY VENT COCK

#### FEATURES & BENEFITS

The NABIC Fig 175 Three Way Vent Cock has been designed for use on vented hot water systems, to ensure there is a permanent connection from the boiler or calorifier to atmosphere. Fitting a Fig 175 allows the use of a single common vent pipe and permits continued operation of the system whilst maintenance is carried out on an individual unit.

- Size Range: DN20 - DN65
- Boiler connection permanently open
- No water loss on change over
- Dezincification materials
- DN65 available with flanged boiler and vent connections



#### PRESSURE RATINGS & TEMPERATURE RANGE

MAX PRESSURE (bar)	MIN - MAX SET TEMPERATURE (°C)
7	-20 to 100

#### DIMENSIONS & WEIGHTS

SIZE DN	Rp BSP Inlet / Outlet	A (mm)	B (mm)	C (mm)	D (mm)	WEIGHTS (kg)
20	3/4"	95	38	80	32	1.40
25	1"	108	46	95	35	2.0
32	1 1/4"	127	59	103	43	3.20
40	1 1/2"	146	67	120	54	4.80
50	2"	165	78	146	61	8.20
65	2 1/2"	181	89	175	70	11.30
65 Flg	Flange	205	89	175	70	16

#### PART NAME & MATERIALS

ITEM NO.	PART NAME	MATERIAL
1	Body	BS EN 1982:1999 CB491K
2	Plug	BS EN 1982:1999 CB491K
3	Packing	Approved type
4	Stud	BS EN 12164:1998 CW609N
5	Gland	BS EN 1982:1999 CB491K
6	Nut	BS EN 12164:1998 CW609N

#### MEDIUM

Hot water.

#### PIPE CONNECTIONS

Female end connections BSP to BS EN 10226-1. Rp 3/4", Rp 1", Rp 1 1/4", Rp 1 1/2", Rp 2", Rp 2 1/2".

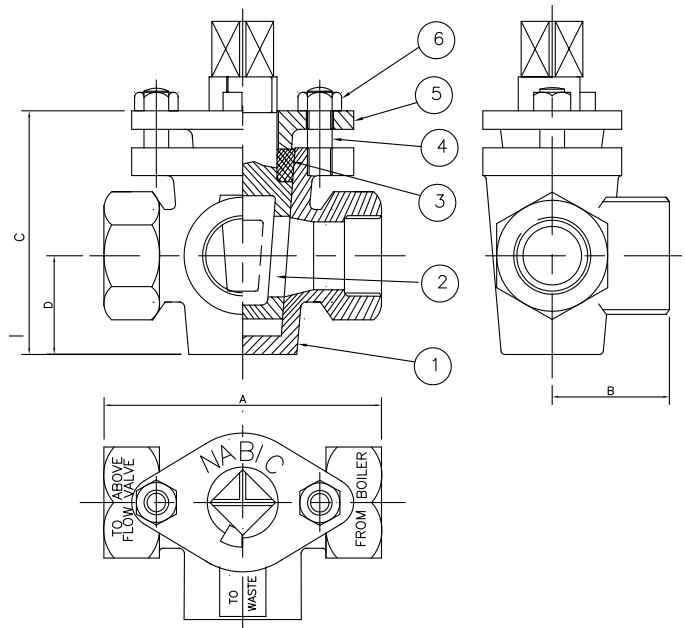
#### PRODUCT TESTING

All valves are 100% production tested.

#### CONSTRUCTION

A stop incorporated in the gland locates with the plug to ensure that the boiler connection is always open to atmosphere, either via the vent or the drain. Fig 176 malleable iron operating keys, designed to fit the plug squares, can be supplied if required.

#### DIMENSIONAL DRAWING



#### APPROVALS



ISO 14001 Reg No. EMS 78657



FM00311 ISO 9001



### SIZING

To provide adequate emergency steam relief capability, vented hot water systems require the fitting of a suitably sized vent pipe in addition to a safety relief valve (Fig 542). The following sizes are specified in BS 779, BS 853 & BS 855.

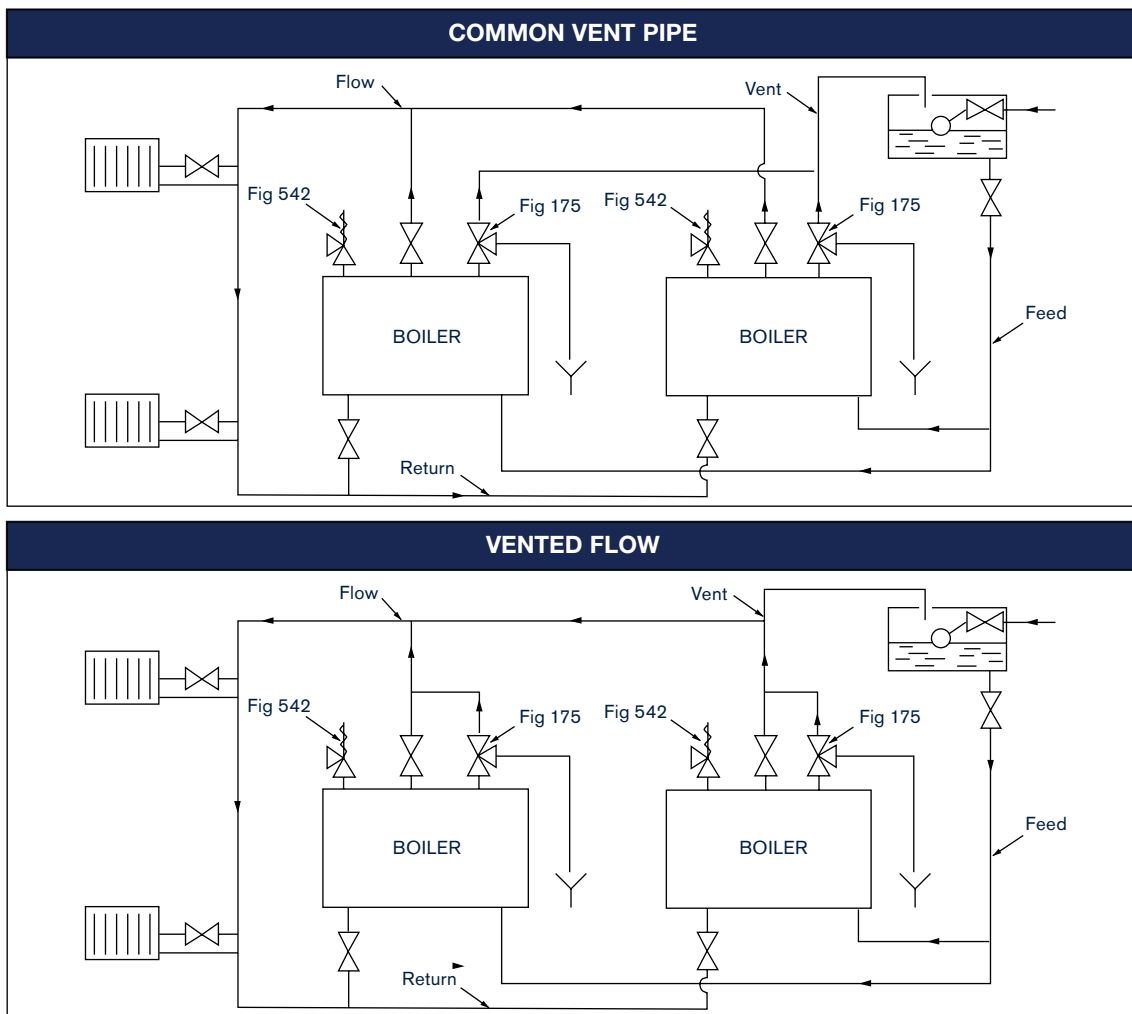
VENT PIPE						
SIZE	*DN20	DN25	DN32	DN40	DN50	DN65
kW	44	60	150	300	600	above 600

To convert to Btu/hr multiply by 3,400.

\*The minimum size of vent pipe permitted by the above BS specifications is 25mm.

The rating given for the DN20 size is only for applications outside the scope of these standards.

### INSTALLATION



In both types of installation, there must be no isolating valve fitted between the Fig 175 and the boiler, vent pipe or drain.

# NABIC®

46-48 WILBURY WAY, HITCHIN, HERTFORDSHIRE, SG4 0UD  
 Tel: +44 (0) 1462 443 278 Fax: +44 (0) 1462 443 127  
 E-mail: nabicsales@cranebsu.com Web: www.nabicvalves.com

Every effort has been made to ensure that the information contained in this publication is accurate at the time of publishing. NABIC assumes no responsibility or liability for typographical errors or omissions or for any misinterpretation of the information within the publication and reserves the right to change without notice.

N\_Fig.175  
0116

## OUR GENIUS IS VALVES

