

MEDENUS

Gas Pressure Regulation



Safety relief valve SL 5



Product information

EN

Table of contents

Application, Characteristics, Technical Data	4
Application	4
Characteristics	4
Type of model (options)	4
Technical data	5
Structure and function	6
Installation example	6
Sectional view	6
Measuring unit diameter	7
Diaphragm assembly setpoint spring table	7
Flow rate capacity	7
Dimensions, Connection and Weight	8
Dimensions and weight	8
Dimensional drawings	8
Order data	9
Contact	11
Notes	13



NOTICE

Observe the following publications in relation to installation, start-up and maintenance:
 DVGW - work sheets G 491 and G 600
 Operating and Maintenance Instructions SL 5

List of abbreviations and formula symbols

AC	Accuracy class		response pressure	w_u	Inlet gas velocity
AG _o	Upper response pressure group	$p_{ds\ o}$	Upper SSV response pressure	$W_{ds\ o}$	Upper adjustment range (SAV)
AG _u	Lower response pressure group	$p_{ds\ u}$	Lower SSV response pressure	$W_{ds\ u}$	Lower adjustment range (SAV)
		$p_{f,max}$	Maximum closing pressure	Δp_{wo}	Min. re-engagement difference between upper response pressure and normal operating pressure
BV	Breather valve	PS	Maximum allowable pressure		
GPR	Gas pressure regulation system	p_u	Inlet pressure		
		Q_n	Standard volumetric flow rate		
HDS	High-pressure screw spindle	RE	Diaphragm assembly	Δp_{wu}	Min. re-engagement difference between lower response pressure and normal operating pressure
K _G	Valve flow rate coefficient	RSD	Throttle valve		
p	Pressure	SSV	Safety shut-off valve		
p _d	Outlet pressure	SRV	Safety relief valve		
p _{df}	SRV closing pressure	SG	Closing pressure group	ρ_n	Gas density
p _{do}	SRV opening pressure	t_{Gas}	Gas inlet temperature		
p _{ds}	Setpoint of the	VS	Valve seat		
		w_d	Outlet gas velocity		

Application, Characteristics, Technical Data

Application

Safety relief valve (SRV), direct-acting (operating without auxiliary power), for systems acc. to DVGW - work sheet G 491 (A) and G 600 (A) (TRGI)

Can be used as an equipment component on gas consumption facilities as defined in EC Directive (2009/142/EC)

Can be used for the gases defined in DVGW - work sheet G 260 / G 262 and neutral non-aggressive gases. (other gases on request)

Characteristics

- Class A
- Horizontal or vertical installation

Type of model (options)

- Coating with epoxy resin in black colour
- NPT connection thread
- Biogas & coke oven gas version (max. 0.1% H₂S)

Technical data

Type	SL 5
Max. allowable pressure PS	3 bar
Nominal width	Rp ¾", Rp 1"
Type of connection	Internal thread acc. to EN 10226-1 (NPT thread optional)
Material	
Housing / actuator housing	Die-cast aluminum
Temperature range, Class 2 (operating/ambient temperature)	-15°C to +60°C
Ex protection	The mechanical parts of the device do not have any potential ignition sources of their own and therefore do not fall within the scope of ATEX 95 (94/9/EC). Electrical components fitted to the device comply with the ATEX requirements.

Application, Characteristics, Technical Data

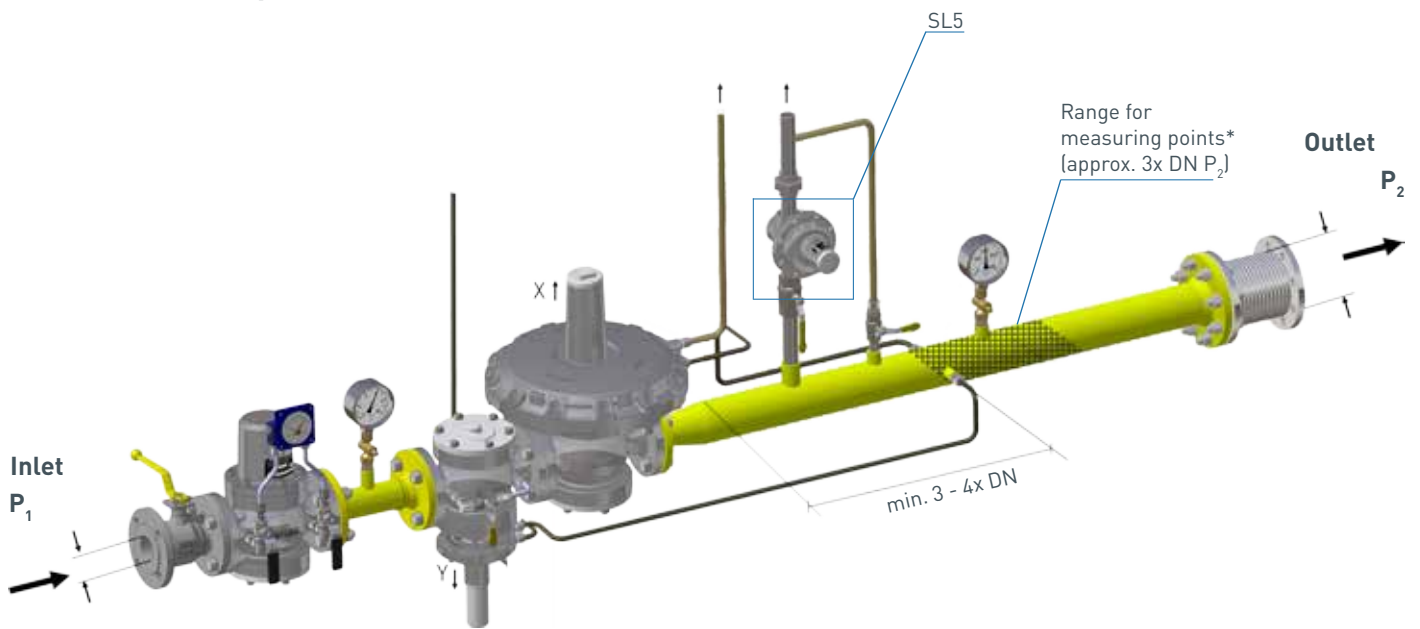
Structure and function

The spring-loaded safety relief valve SL 5 is used for reducing short-term pressure surges upstream of gas consumption systems or preventing an inadmissibly high pressure increase due to escaping gas, and is intended to protect downstream system components from excessive pressure levels.

The safety relief valve is composed of the actuator housing and the 'control device' functional unit. In the closed position, the gas flows into the actuator housing in the direction of the arrow.

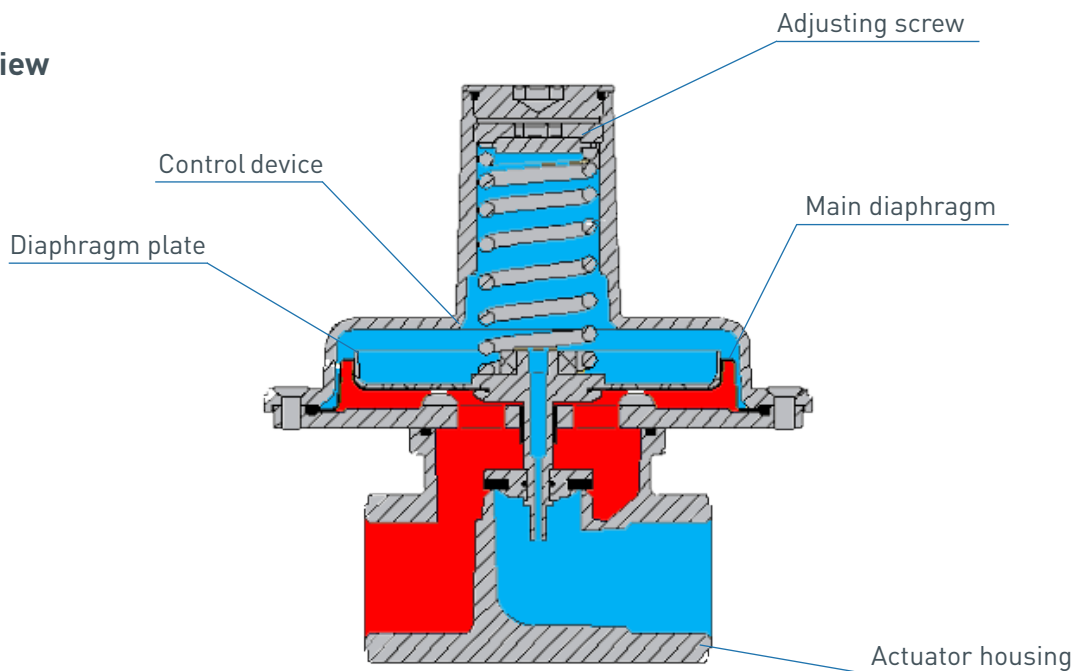
There the inlet pressure acts on the underside of the diaphragm, while the spring set with the adjusting screw acts against it. If the inlet pressure force is higher than the spring force, the diaphragm moves and the diaphragm plate opens releasing gas in the relief line. After releasing the pressure surge, the inlet pressure drops and the diaphragm plate closes again.

Installation example



*) Recommended max. velocity at the measurement line port 25 m/s

Sectional view



Application, Characteristics, Technical Data

Measuring unit diameter

Nominal width	Connection	Measuring movement ∅ (mm)
DN 20	Rp 3/4"	150
DN 25	Rp 1"	150
DN 20	NPT 3/4"	150
DN 25	NPT 1"	150

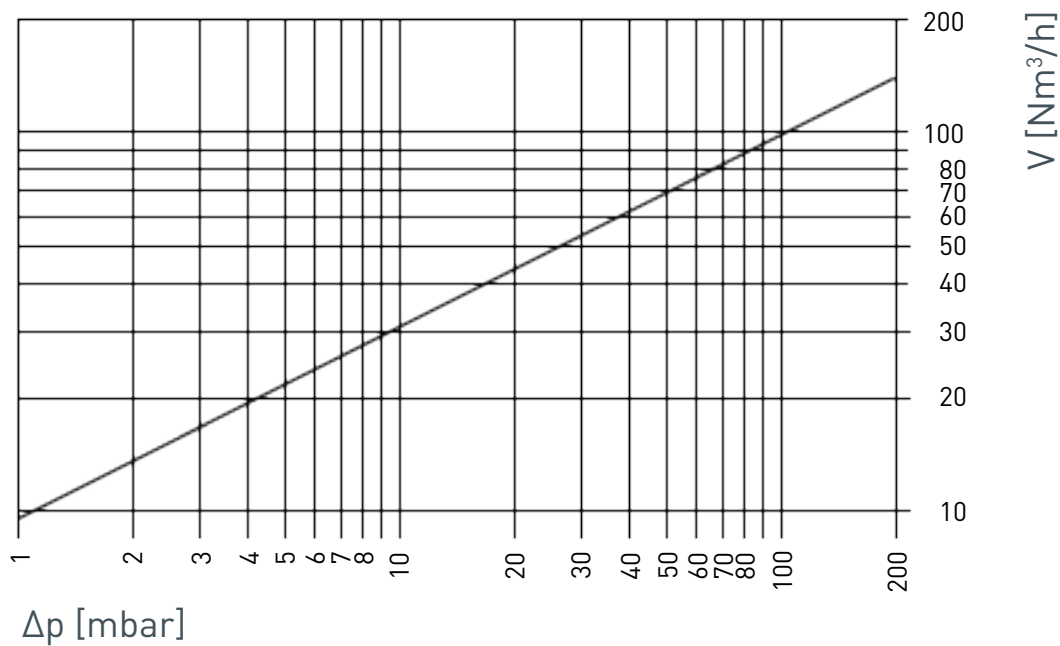
Diaphragm assembly setpoint spring table

Pressure range (mbar)	Spring data	
	Spring no.	Colour [RAL]
45 - 150	A1	9005
85 - 190	A2	5015
150 - 450	B	6018
400 - 1000	C*	3020

*) Not for biogas version

Flow rate capacity

(with an inlet pressure of 115% of the set pressure)

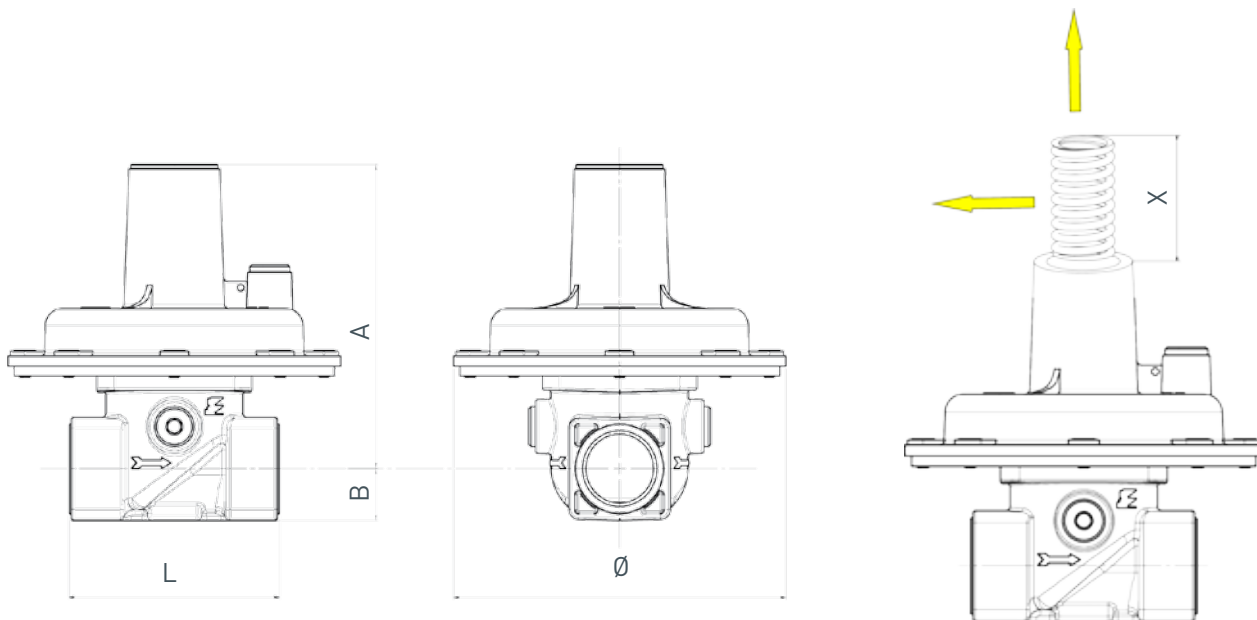


Dimensions, Connection and Weight

Dimensions and weight

Nominal width DN	Connection	Measuring movement \emptyset (mm)	A (mm)	B (mm)	L (mm)	X (mm)	Weight (kg)
DN 20	Rp 3/4	150	138	23	95	85	1.3
DN 25	Rp 1	150	138	23	95	85	1.3

Dimensional drawing



Note

Observe the following publications in relation to installation, start-up and maintenance:
DVGW - work sheets G 491 and G 600
Operating and Maintenance Instructions SL 5

For all nominal widths, the direction of flow is indicated by an arrow on the housing.

Type of models / Options

Epoxy resin coating in colour Black

To protect the gas pressure regulator from influences in aggressive atmosphere.



Type of models

- Biogas & coke oven gas version
- NPT connection thread



Order data

Beispiel:

		Sicherheits-Abblaseventil: SL5/Rp1"/WAZ/So				
Bestellauswahl		Bestellschlüssel:	SL5	Rp1"	WAZ	So
		Bezeichnung				
Typ						
SL5		SL5	SL5			
DN - Nennweite		Tabelle S.8		Rp1"		
Werksabnahmezeugnis nach EN 10204/3.1						
ohne Werksabnahmezeugnis		-			-	
mit Werksabnahmezeugnis		WAZ			WAZ	
Sonderausführung		So				So
- Beschichtung mit Epoxidharz in der Farbe schwarz						
- Version for biogas & coke oven gas						

In every selection group, only one option can be selected in each case.



THE MEDENUS PLUS

10 reasons for good business relations

1. Consultancy expertise and quality standards developed over decades
2. Broad and proven standard range of feedback controllers
3. Modern, fast and efficient production for series products and for individual orders
4. Customer-specific design of pressure regulators and vacuum regulators and special designs
5. Guaranteed deadline compliance with a delivery deadline guarantee
6. Fast response time in all matters
7. Sufficiently large parts storage for production and spare parts
8. Customer-specific theory & practice training courses
9. Modular design right across the entire product range to facilitate optimized handling of spare parts
10. 100% Made in Germany

How to get there

If you want to know more about solutions from MEDENUS for the gas industry, please contact your local contact person or go to our internet site at www.medenus.de



Management

Alexander Christiani

Phone: +49 (0) 2761 / 82788-18
Fax: +49 (0) 2761 / 82788-9
E-mail: a.christiani@medenus.de



Field Service Sales Team Germany

Jörg Pflugner

Mobile: +49 (0) 170 635 5309
Fax: +49 (0) 2761 / 82788-9
E-mail: j.pflugner@medenus.de



Head of Sales & Marketing

Franz Feichtner

Phone: +43 (0) 7227 / 211-17
Fax: +49 (0) 2761 / 82788-9
Mobile: +49 (0) 151 / 51002711
E-mail: f.feichtner@medenus.de



In-House Sales Department

Maike Rath

Phone: +49 (0) 2761 / 82788-11
Fax: +49 (0) 2761 / 82788-9
E-mail: m.rath@medenus.de



In-House Sales Department

Jan Arens

Phone: +49 (0) 2761 / 82788-20
Fax: +49 (0) 2761 / 82788-9
E-mail: j.arenas@medenus.de



In-House Sales Department

Stefanie Müller

Phone: +49 (0) 2761 / 82788-13
Fax: +49 (0) 2761 / 82788-9
E-mail: s.mueller@medenus.de

Trade representation worldwide
medenus.de/de/kontakt.html



MEDENUS

Gas-Druckregeltechnik GmbH

Im Langen Feld 3

D-57462 Olpe

Phone: +49 (0)2761 82788-0

Fax: +49 (0)2761 82788-9

E-mail: info@medenus.de

Internet: www.medenus.de

In the download area of our homepage, this document is available in different languages. You can use the following QR codes and links to go directly to this document in your language.



Deutsch:

http://medenus.de/files/upload/downloads/SL5/Pi_SL5_de.pdf



English:

http://medenus.de/files/upload/downloads/SL5/Pi_SL5_en.pdf



MEDENUS Gas-Druckregeltechnik GmbH

Phone: +49 (0)2761 82788-0

Fax: +49 (0)2761 82788-9

Im Langen Feld 3 / D-57462 Olpe

info@medenus.de

www.medenus.de

EN