

## Budenberg 736 Stainless Steel Pressure Gauge

The Classic range of Pressure Gauges has been designed to meet the high demands of the process industry.

From harsh corrosive chemical applications to general engineering uses, the Classic combines a high specification with a very cost effective price.

The standard unit incorporates 316 stainless steel wetted parts that are housed within a liquid fillable 316 stainless steel case. Standard units are available as dual scale bar and psi but custom scales can be supplied.

Available with a wide range of accessories including: Syphons, Snubbers, Gauge Savers, Manifolds, Diaphragm Seals etc ensures that Budenberg can provide you with the right product to suit any individual application or requirement.

### Size

100 mm (4") & 150mm (6")

### Mounting

Direct or Surface

### Case & Bezel

One-piece open front case in 316 Stainless Steel with a safety blow out disc in the back. Polished Bezel with Bayonet Locking mechanism

### Scale Ranges

0 to 1 bar to 0 to 1400 bar or equivalent units of pressure / vacuum are available

### Pressure Element

≤80 Bar – 316 Stainless Steel Bourdon Tube  
≥81 Bar - 316 Stainless Steel Coil

### Overload

Units withstands overload pressure up to 130% of FSD  
150% of FSD is optional. Please refer to our sales office

### Pressure Connection

3/8", or 1/2" NPT

### Accuracy Class

CL:1 1.0% of FSD as defined in EN837-1

### Temperature

Operating: -20 to +90 °C  
Storage: -40 up to +100 °C  
Options: for lower or higher operating temperatures, please contact our Sales Office



### Temperature Effect

Max 0.4% / 10K

### Dial

White Anodised Aluminium marked in black finish  
Dual scale bar / psi is standard but customised dials are available

### Pointer

Black Aluminium Micrometer Adjustable Pointer

### Movement

Stainless Steel Construction  
Option : Case filling with glycerine or other fluids is available

### Window

Toughened Safety Glass

### Environmental Rating

IP67 as defined in EN 60 529

### Traceability

All instruments are individually calibrated  
A Certificate of Conformity is Supplied Free of Charge

### Certification available

BS EN 10204 3.1B Material Certification  
Point by Point Test Certificate

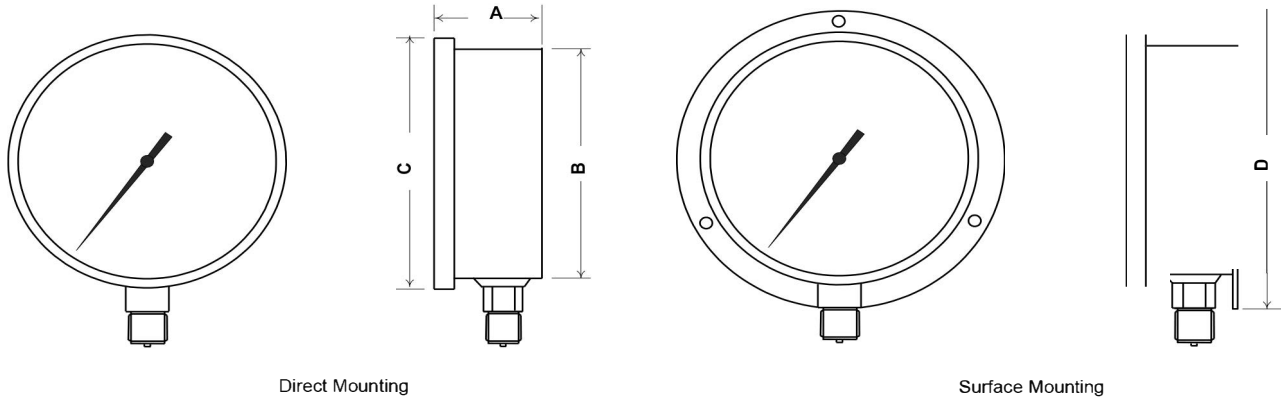
### Safety

All units are manufactured to comply with EN 837-1 specification and other regulatory standards including PED.

### Installation instructions

Refer to EN 837-2

## Dimensions



Model No	A	B	C	D	Hole Diam	PCD	Weight
100mm 736 (Dry Case)	49	101	111	134	6.0	118	0.5 kg
100mm 736 (Filled Case)	49	101	111	134	6.0	118	0.9 kg
150mm 736 (Dry Case)	54	161	172	186	6.0	168	1.0 kg
150mm 736 (Filled Case)	54	161	172	186	6.0	168	1.9 kg

### Standard Stock units - 100 mm, Dual Scale bar / psi

Stock No	Range	Connection	Stock No	Range	Connection
73601.01/2N	0 - 1.0 bar	1/2" NPT m	73601.03/8	0 - 1.0 bar	3/8" BSP m
73601.61/2N	0 - 1.6 bar	1/2" NPT m	73601.03/8	0 - 1.6 bar	3/8" BSP m
73602.51/2N	0 - 2.5 bar	1/2" NPT m	73601.03/8	0 - 2.5 bar	3/8" BSP m
73604.01/2N	0 - 4.0 bar	1/2" NPT m	73601.03/8	0 - 4.0 bar	3/8" BSP m
73606.01/2N	0 - 6.0 bar	1/2" NPT m	73601.03/8	0 - 6.0 bar	3/8" BSP m
736010.01/2N	0 - 10 bar	1/2" NPT m	73601.03/8	0 - 10 bar	3/8" BSP m
736016.01/2N	0 - 16 bar	1/2" NPT m	73601.03/8	0 - 16 bar	3/8" BSP m
736025.01/2N	0 - 25 bar	1/2" NPT m	73601.03/8	0 - 25 bar	3/8" BSP m
736040.01/2N	0 - 40 bar	1/2" NPT m	73601.03/8	0 - 40 bar	3/8" BSP m
736060.01/2N	0 - 60 bar	1/2" NPT m	73601.03/8	0 - 60 bar	3/8" BSP m