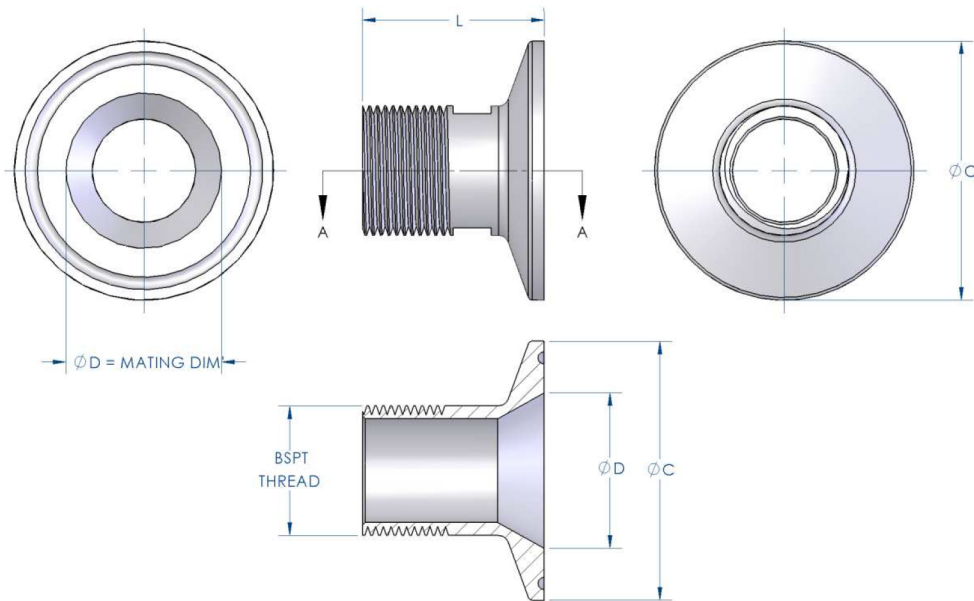


## MALE BSP TRI-CLAMP ADAPTER - METRIC

<b>Material</b>	316L / 1.4404
<b>Surface Finish</b>	0.8 Ra(µm) / 32 Ra(µin)
<b>Manufactured</b>	3.1b Certified- Solid Bar



Ferrule - BSPM			Dimensions (mm)			Mass (kg)
Size		Flange ØC	Mating ØD	Length L		
FERRULE	THREAD					
DN10	- 1/4"	34.0	10.0	30	0.05	
	- 3/8"	34.0	10.0	30	0.06	
	- 1/2"	34.0	10.0	30	0.07	
	- 3/4"	34.0	10.0	30	0.08	
DN15	- 1/4"	34.0	16.0	30	0.05	
	- 3/8"	34.0	16.0	30	0.06	
	- 1/2"	34.0	16.0	30	0.07	
	- 3/4"	34.0	16.0	30	0.08	
DN20	- 1/4"	34.0	20.0	30	0.05	
	- 3/8"	34.0	20.0	30	0.05	
	- 1/2"	34.0	20.0	30	0.06	
	- 3/4"	34.0	20.0	30	0.07	