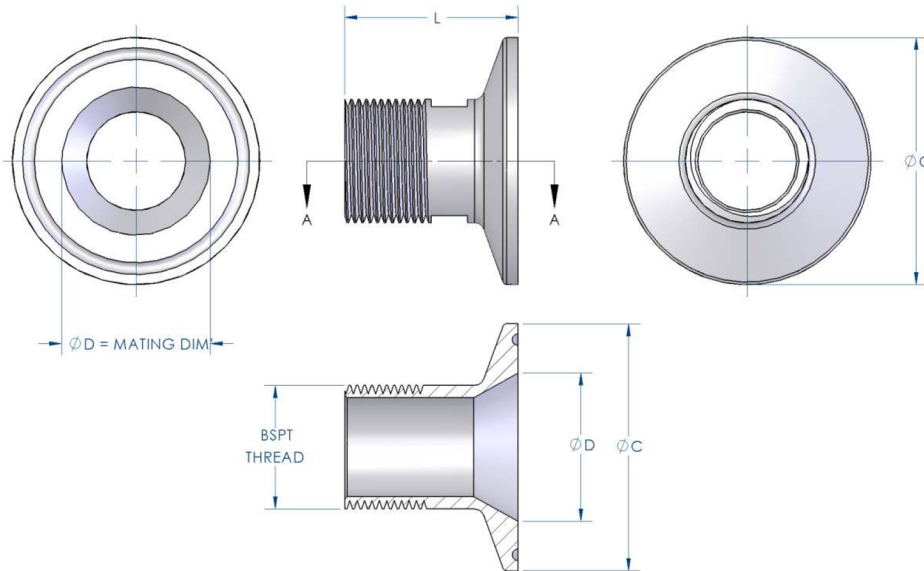


MALE BSP TRI-CLAMP ADAPTER - IMPERIAL

Material	316L / 1.4404
Surface Finish	0.8 Ra(µm) / 32 Ra(µin)
Manufactured	3.1b Certified- Solid Bar



Ferrule - BSPM		Dimensions (mm)			Mass (kg)
FERRULE	Size	Flange ØC	Mating ØD	Length L	
	THREAD				
1/2"	- 1/8"	25.4	10.0	30	0.03
	- 1/4"	25.4	10.0	30	0.03
	- 3/8"	25.4	10.0	30	0.04
	- 1/2"	25.4	10.0	32	0.06
	- 3/4"	25.4	10.0	35	0.09
3/4"	- 1/8"	25.4	16.0	30	0.02
	- 1/4"	25.4	16.0	30	0.02
	- 3/8"	25.4	16.0	30	0.04
	- 1/2"	25.4	16.0	32	0.03
	- 3/4"	25.4	16.0	35	0.08
1"	- 1/8"	50.5	22.0	30	0.09
	- 1/4"	50.5	22.0	30	0.09
	- 3/8"	50.5	22.0	30	0.10
	- 1/2"	50.5	22.0	35	0.10
	- 3/4"	50.5	22.0	35	0.11
	- 1"	50.5	22.0	35	0.19
1 1/2"	- 1/8"	50.5	35.0	35	0.07
	- 1/4"	50.5	35.0	35	0.07
	- 3/8"	50.5	35.0	35	0.07
	- 1/2"	50.5	35.0	35	0.09
	- 3/4"	50.5	35.0	35	0.10
	- 1"	50.5	35.0	35	0.12
2"	- 1/2"	64.0	47.6	40	0.16
	- 3/4"	64.0	47.6	40	0.17
	- 1"	64.0	47.6	40	0.18
	- 1 1/2"	64.0	47.6	40	0.19
	- 2"	64.0	47.6	40	0.20