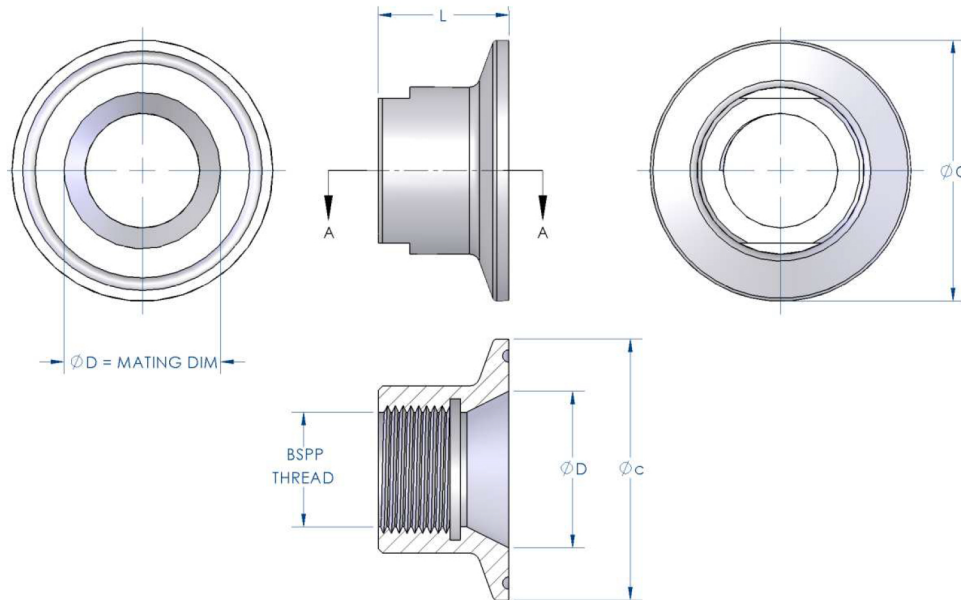


FEMALE BSP TRI-CLAMP ADAPTER - IMPERIAL

Material	316L / 1.4404
Surface Finish	0.8 Ra(µm) / 32 Ra(µin)
Manufactured	3.1b Certified - Solid Bar



Ferrule - BSPF Size		Dimensions (mm)			Mass (Kg)
FERRULE	THREAD	Flange ØC	Mating ØD	Length L	
1/2"	- 1/8"	25.4	10.0	25	0.05
	- 1/4"	25.4	10.0	25	0.05
	- 3/8"	25.4	10.0	25	0.06
	- 1/2"	25.4	10.0	30	0.06
	- 3/4"	25.4	10.0	30	0.07
3/4"	- 1/8"	25.4	16.0	25	0.05
	- 1/4"	25.4	16.0	25	0.05
	- 3/8"	25.4	16.0	25	0.06
	- 1/2"	25.4	16.0	30	0.06
	- 3/4"	25.4	16.0	30	0.06
1"	- 1/8"	50.5	22.0	25	0.14
	- 1/4"	50.5	22.0	25	0.12
	- 3/8"	50.5	22.0	25	0.11
	- 1/2"	50.5	22.0	25	0.11
	- 3/4"	50.5	22.0	25	0.10
	- 1"	50.5	22.0	25	0.11
1 1/2"	- 1/8"	50.5	35.0	25	0.11
	- 1/4"	50.5	35.0	25	0.11
	- 3/8"	50.5	35.0	25	0.09
	- 1/2"	50.5	35.0	25	0.09
	- 3/4"	50.5	35.0	25	0.09
	- 1"	50.5	35.0	25	0.10
2"	- 1/2"	64.0	47.6	25	0.14
	- 3/4"	64.0	47.6	25	0.14
	- 1"	64.0	47.6	30	0.13
	- 1 1/2"	64.0	47.6	30	0.13
	- 2"	64.0	47.6	40	0.13