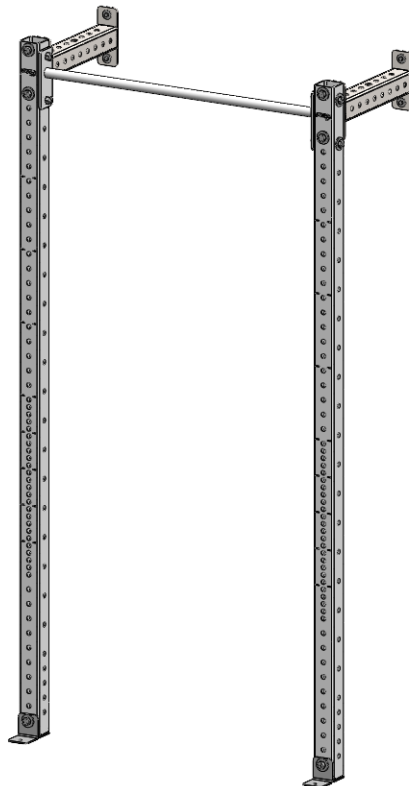




Build Limitless® Wall-Mount Rack



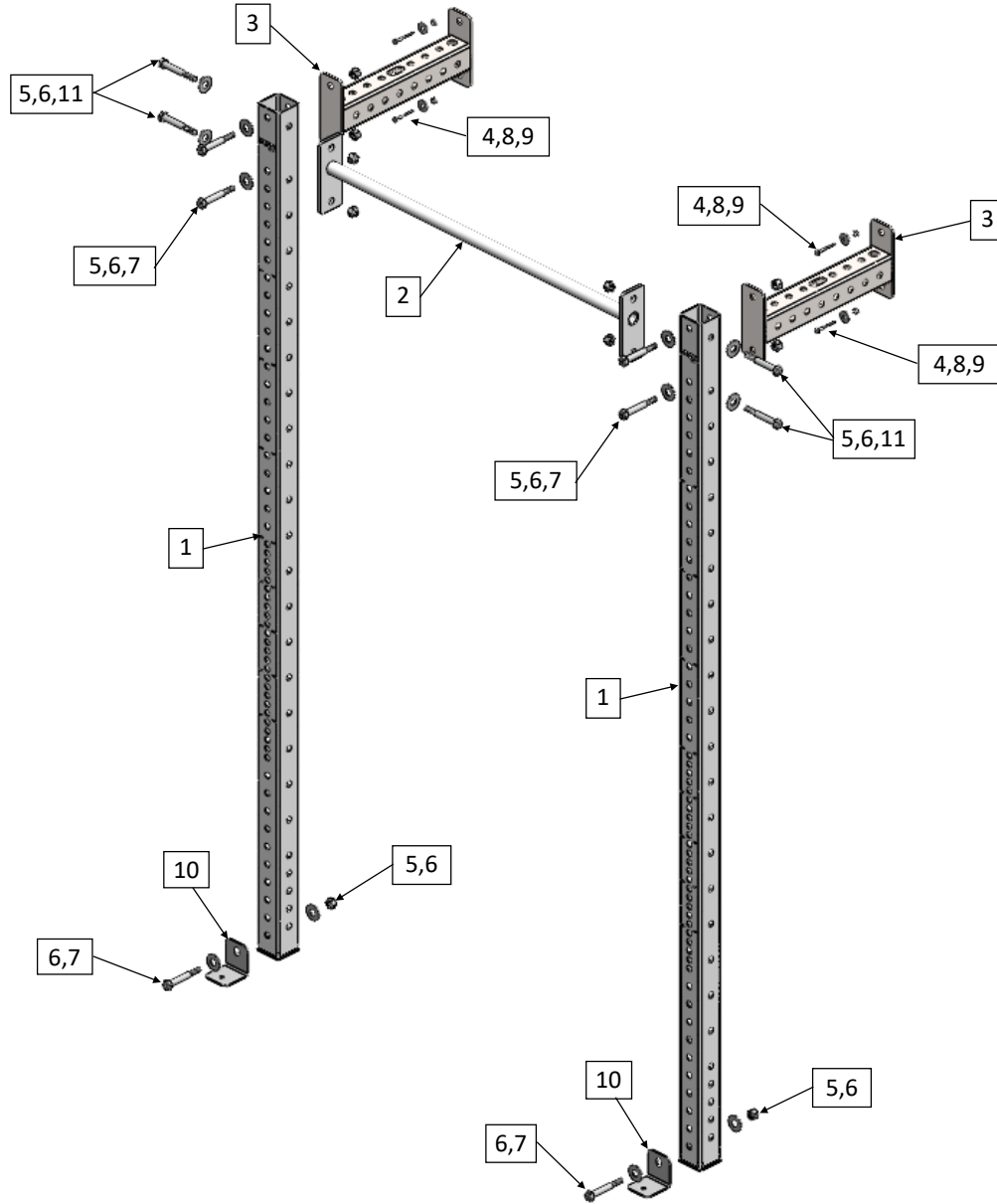
WARNING: SERIOUS INJURY OR DEATH COULD OCCUR IF PRECAUTIONS ARE NOT TAKEN.

All questions, feedback, and return information should be sent to: support@prxperformance.com or call us at 1-701-566-0452

LIMITED LIFETIME WARRANTY: This product is warranted by PRx Performance LLC, to the original user-owner only, against defective materials or workmanship for the lifetime of the product. During the warranty period, or "lifetime" of the product, at the discretion of PRx management, if the product is found to be defective, it will be repaired or replaced without charge. This warranty does not cover defects in the product caused by ordinary wear and tear, abuse, misuse, overloading, accident (including shipping damage), improper maintenance or alteration. THIS WARRANTY IS EXPRESSLY IN LIEU OF ALL OTHER WARRANTIES, INCLUDING ANY IMPLIED WARRANTY OF MERCHANT ABILITY OR ANY IMPLIED WARRANTY OF FITNESS FOR A PARTICULAR PURPOSE OF THIS PRODUCT. PRx PERFORMANCE INC. SHALL NOT BE LIABLE FOR ANY CONSEQUENTIAL OR INCIDENTAL DAMAGES. Email support@prxperformance.com or call 701-566-0452. See full warranty at www.prxperformance.com

Build Limitless® Wall-Mount Rack

All Parts & Tools Needed



Item #	Description	QTY
1	Upright, 95" or 81"	2
2	42" Pull-Up Bar	1
3	Crossmember, 42" or 18"	2
4	5/16" Spacer	4
5	5/8" Nylock Nut	10
6	5/8" Flat Washer	12
7	5/8" x 4 1/4" Hex Head Bolt	6
8	5/16" x 2 1/2" Lag Screw	4
9	5/16" Oversized Flat Washer	4
10	Foot Anchor	2
11	5/8" x 4 1/2" Hex Head Bolt	4

Tools Needed

1. 15/16" Open-End Wrench
2. 15/16" Socket
3. Socket Wrench
4. 1/2" Socket
5. Stud Finder
6. Cordless Drill
7. Cordless Impact
8. 7/32" Drill Bit
9. Tape Measure
10. Level
11. Step Stool
12. Second Person

Additional Items Needed

(not included):

1. 2x10 ledger board, length dependent on stud spacing.
2. Mounting hardware for ledger board.
3. Floor mounting hardware.

Wall-Mount Rack Assembly Instructions

1. Lay the uprights and crossmembers on the floor with the logo facing out and attach the crossmembers (Figure 1).

NOTE: Make sure the widest portion of the crossmember is at the top of the upright (Figure 2).

2. Secure all hardware, but do not fully tighten.

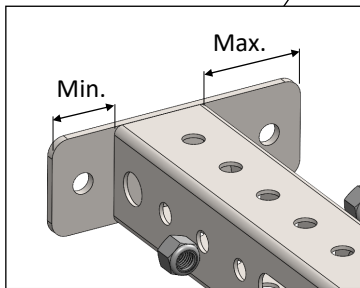
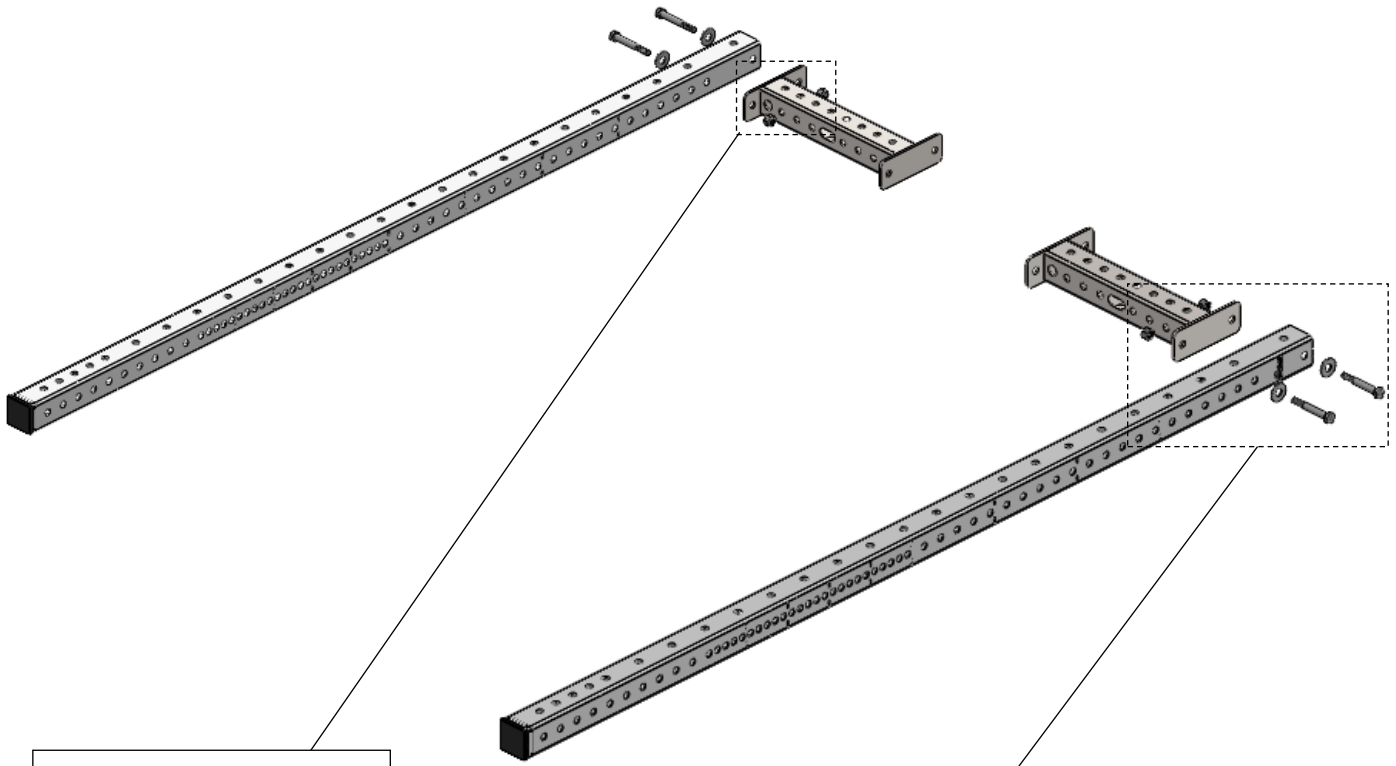


Figure 2

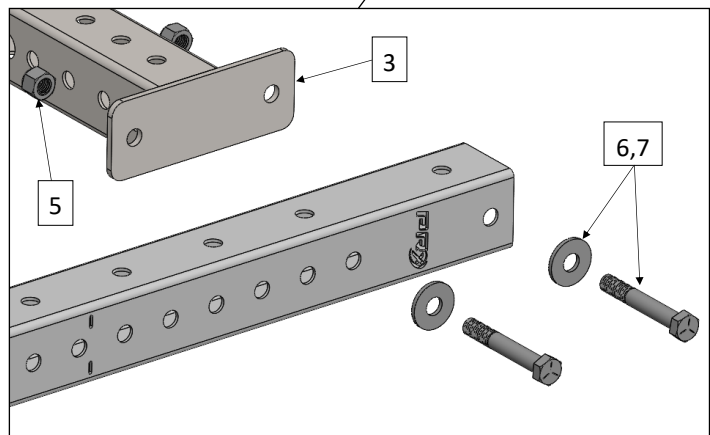


Figure 1

Wall-Mount Rack Assembly Instructions

1. Attach the pull-up bar to the uprights (Figure 1). A second person may be needed at this time.
2. Secure all hardware, but do not fully tighten.

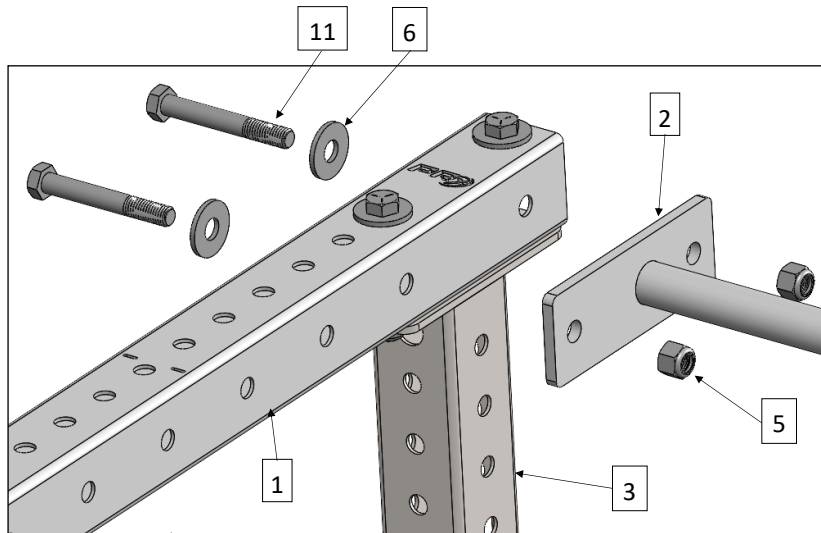
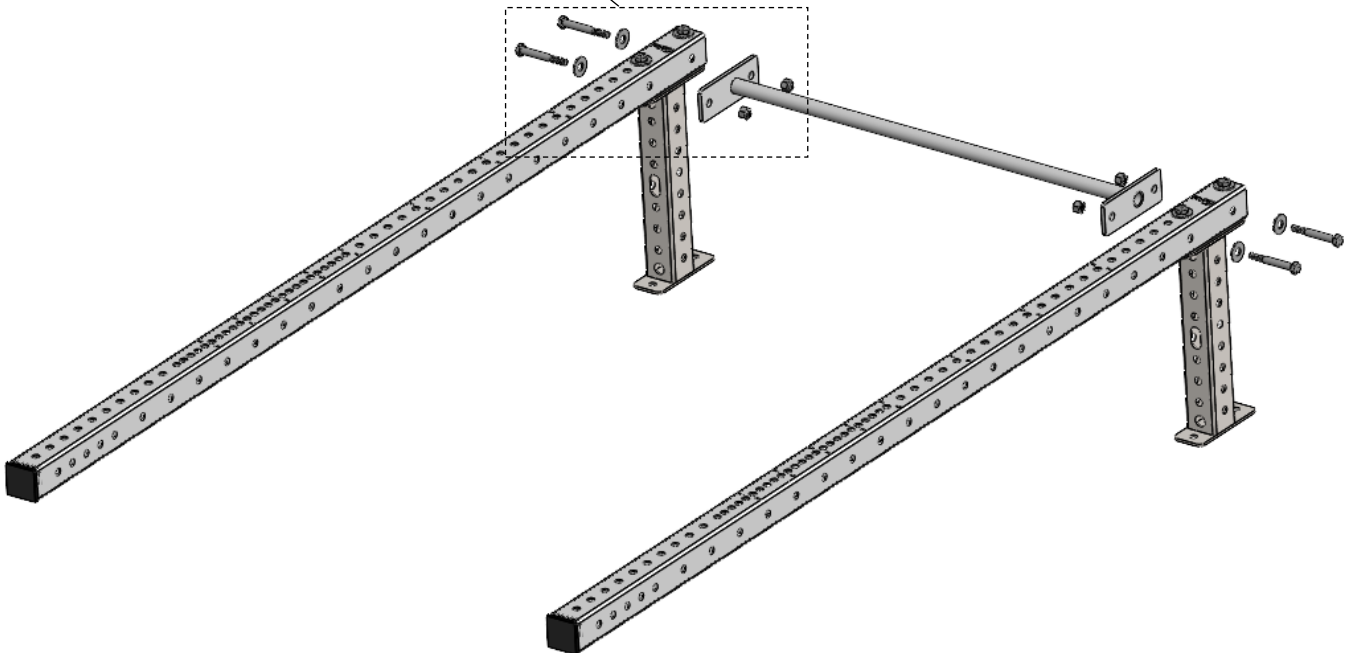


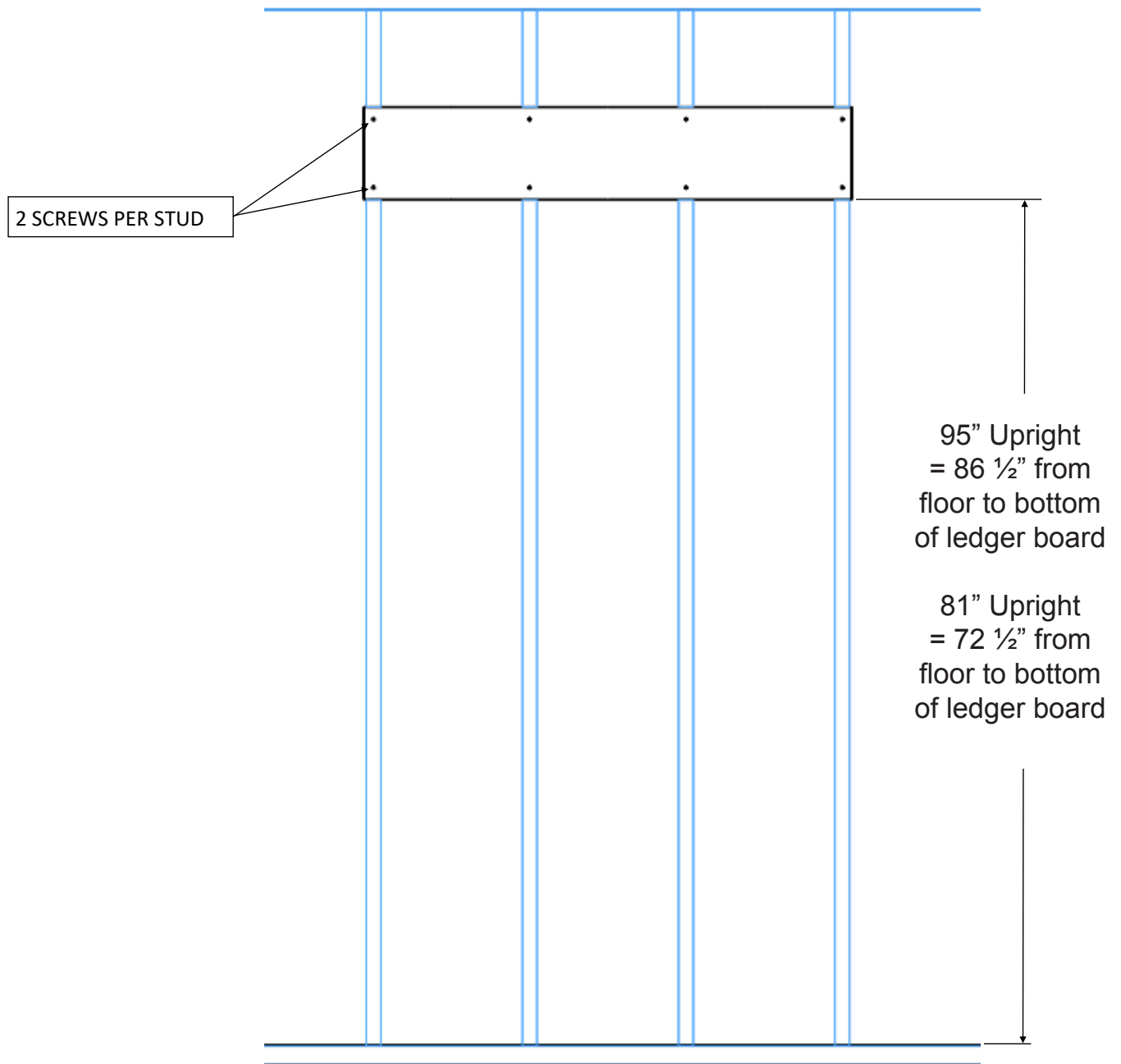
Figure 1



Ledger Board Installation

Ledger board is not included. Your 2x10 ledger board should be a minimum length of 50", and long enough to attach to at least 3 studs (for safety and security).

1. Locate studs in the area that you want to place your rack.
2. Measure from the floor to where you will be placing the bottom of the ledger board. For 95" uprights this distance is 86 1/2". For 81" uprights this distance is 72 1/2".
3. Attach the ledger board to each stud, with a minimum of 2 screws per stud.



Attach Rack to Ledger Board

1. Once the ledger board is installed, place your assembled rack against the ledger board as shown below. **WARNING: Make sure you have enough ceiling height to rotate the rack up against the ledger board without hitting the ceiling. See table below for ceiling height requirements.**
2. Make sure uprights are parallel to the wall before marking and drilling holes for mounting. Have a second person hold it in place while you mark the hole locations and drill pilot holes for your lag bolts using the 7/32" drill bit, drill to a minimum depth of 2 1/2" (Figure 1).
3. Attach foot anchors to the bottom of the uprights (Figure 2).
4. Make sure bottom of uprights are 42" apart before anchoring to the floor.
5. Once rack is anchored to the floor, fully tighten all hardware.

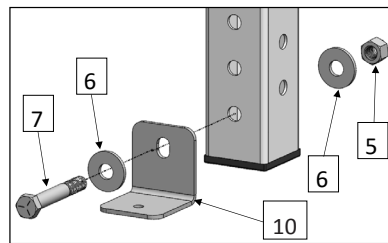
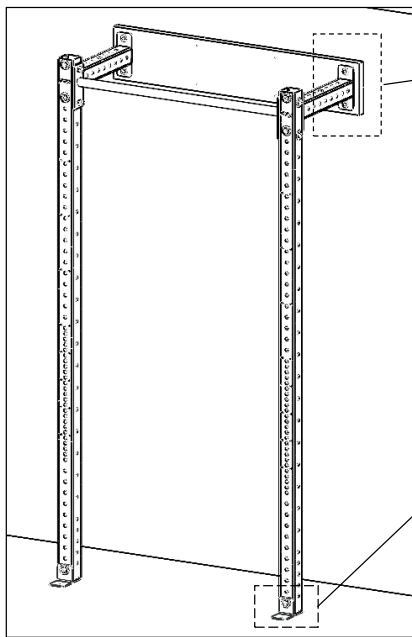


Figure 2

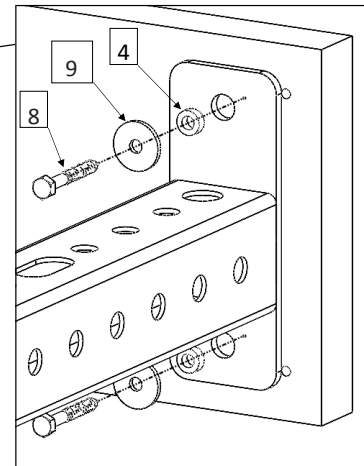


Figure 1

Rack	Height Required
95-18	99"
95-42	107"
81-18	85"
81-42	95"

NOTE: If ceiling height is less than minimum, contact Customer Service.

