



# SIZE GUIDE



## ÍNDICE

- 1 FRAME SPECS
- 2 BASE SPECS
- 3 CANOPY SPECS
- 4 PACKAGE SPECS
- 5 BAG SPECS
- 6 FITSYSTEM SPECS
- 7 SIZES & SHAPE SPECS

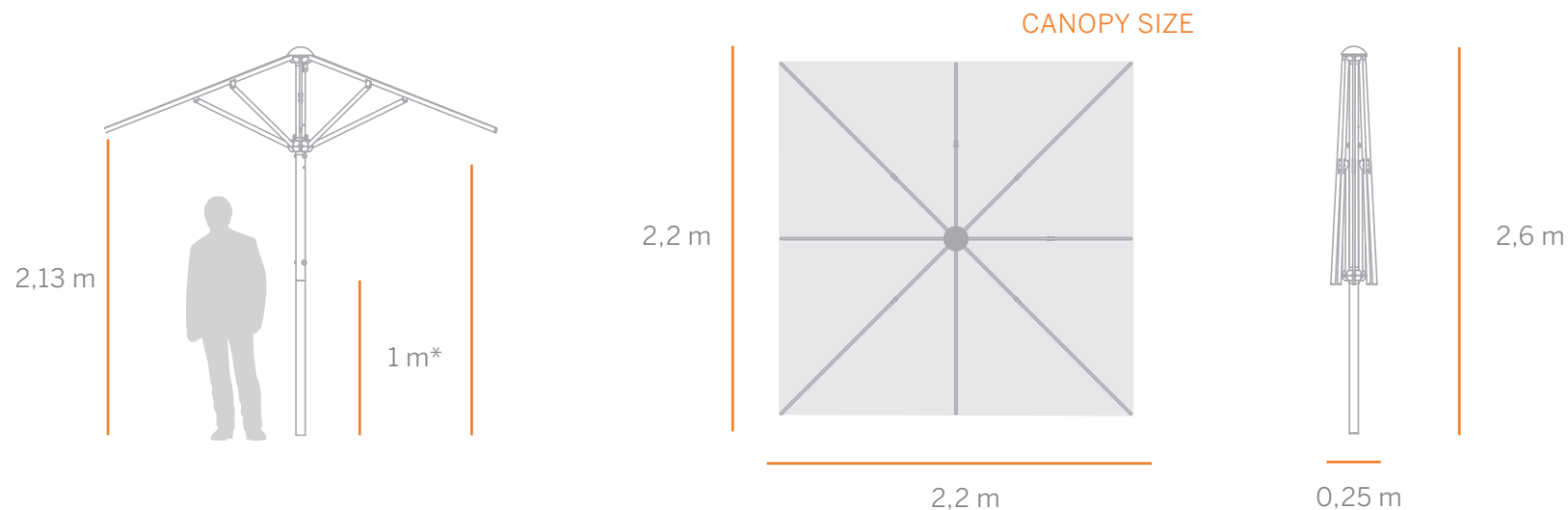


## FRAME SPECS

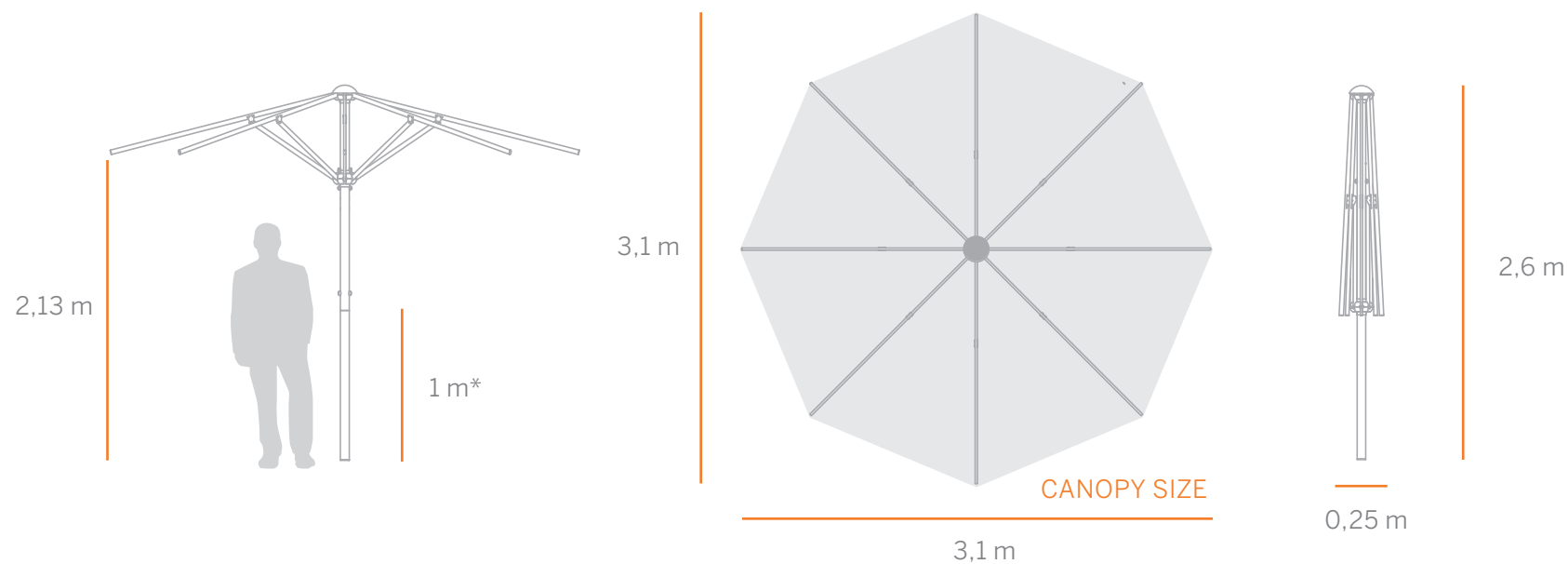


Our frames are made of aluminium and therefore are rather light and easy to carry. Each one consists on the main rod, which is halved for a safer shipping and easier stowage. You can add a Ribs pack to change your parasol's shape to (round or square).

### “PARASOL SQUARE 2 METERS”



### “PARASOL ROUND 3 METERS”



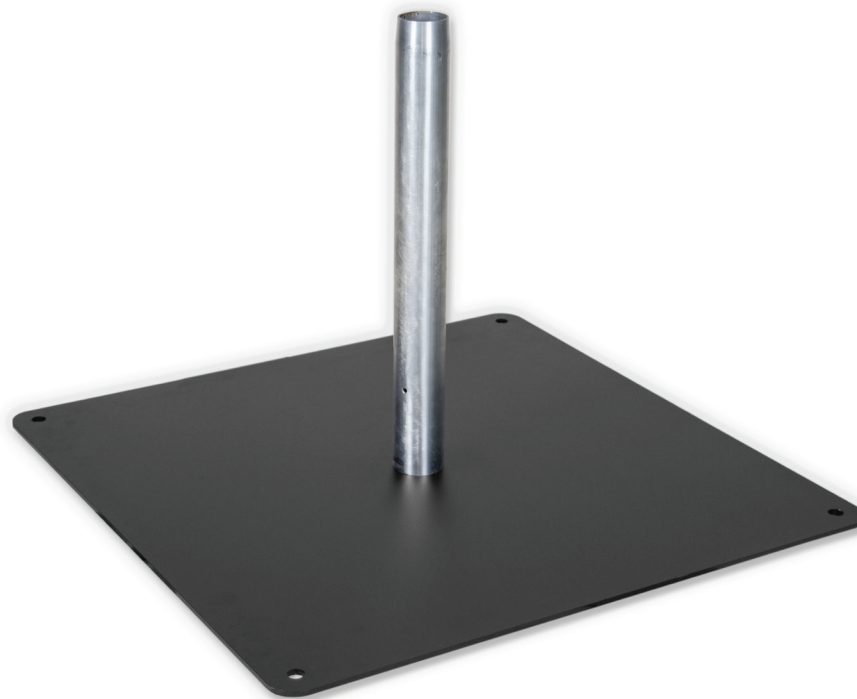


## BASE SPECS



Our bases are designed exclusively to best fit a Mills Parasol.

Either a clean dark steel style or a more elaborate design with marble porcelain, we offer you the most sophisticated base to your fun colourful parasol.



### “JUST BLACK”

**BASE DIMENSIONS** 700X700X6 mm

**BASE MATERIAL** Steel

**TUBE HEIGHT** 500 mm

**TUBE EXTERIOR DIAMETER** 56,5 mm

**TUBE MATERIAL** Galvanized Steel

**TOTAL WEIGHT** 24 kg



### “MARBLE BASE”

**BASE DIMENSIONS** 700X700X16 mm

**BASE MATERIAL** Steel & Marble Porcelain

**TUBE HEIGHT** 500 mm

**TUBE EXTERIOR DIAMETER** 56,5 mm

**TUBE MATERIAL** Galvanized Steel

**TOTAL WEIGHT** 36 kg



## CANOPY SPECS



Our canopies have several treatments to improve its resistance and maintain its original vibrant colours.

For safety reasons, we recommend to keep the parasol closed on windy and/or rainy days.

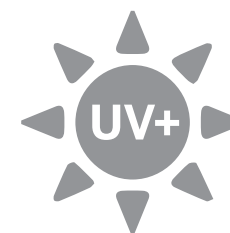
“CANOPY” for sizes check frame specs



**FABRIC WEIGHT**  
300 g/m<sup>2</sup>



**FABRIC MATERIAL**  
100 % polyester



**UV PROTECTION**  
+ 50



**COLOUR FASTNESS**  
5-6 (2 years)



**WATER REPELLENT**  
teflon proteccion



**WATER RESISTANT**  
500 mm (2XPolyurethane)



## PACKAGE SPECS



Our package includes a neat cardboard tube, that comes with plastic lids and was designed to keep your umbrella safe and secured during its shipping and stowage.



### “ROUND 3M & SQUARE 2 M”

**PACKAGE HEIGHT** 170 cm  
**PACKAGE DIAMETER** 26 cm  
**PACKAGE MATERIAL** hard cardboard 5 mm  
**TOTAL WEIGHT (boxed)** 26 kg



### “JUST BASE & MARBLE BASE”

**PACKAGE HEIGHT** 8 cm  
**PACKAGE SIZE** 71X71 cm  
**PACKAGE MATERIAL** cardboard 5 mm  
**TOTAL WEIGHT (boxed)** 24,5 kg - just base  
**TOTAL WEIGHT (boxed)** 36,5 kg - marble base



## BAG SPECS



This bag was created to keep away dust, debris and dirt and protect your Mills parasol when it's closed.

It's made of a water repellent cloth, however we advise not to keep it under pouring rain to avoid diminishing its long-term resistance.



### “BAG”

**BAG HEIGHT** 170 cm

**BAG COMPOSITION** 38% polyester & 62% pvc

**CLOTH MATERIAL** waterepelent fabric





## FIT SYSTEM SPECS



So, here's the best part of our parasols: our Fit System. You can change its shape with a simple swap of four of its ribs, which we promise is really easy. Also, a new shape calls for a new design, so bring a new light to your Mills parasol without having to change its frame by purchasing a different canopy.

## [ FIT SYSTEM ]

Flexible & interchangeable technology

unique design by Mills

Using the key substitute the ribs to change between a square and a round shape parasol



### MODULAR

easy to change pieces



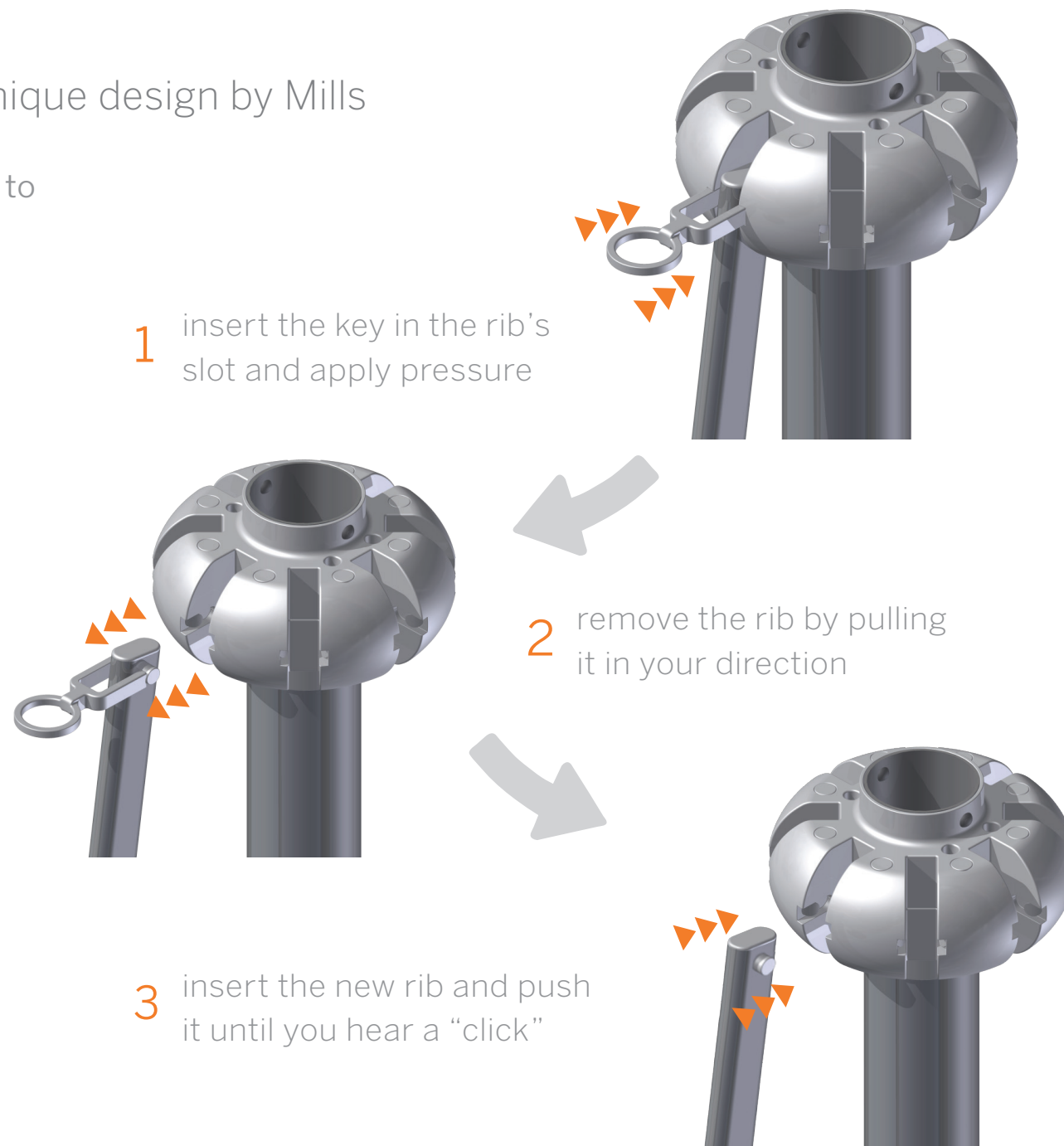
### PERSONALISABLE

different forms and dimensions with one structure



### EASY TRANSPORT

and storage





## SIZES & SHAPE SPECS



We'll be starting off with our FS1 System, that is, the 3 meter round parasol that can be changed into the 2 meter squared, and vice-versa. These two combinations of shapes and sizes of the FS1 System are possible with a simple swap of a pack of ribs, which you can purchase in our Accessories page.

With the RIBSPACK ROUND swap your Square 2M Parasol to a Round 3M Parasol

RIBSPACK  
ROUND



# FS1

FS1 compatible only with FS1

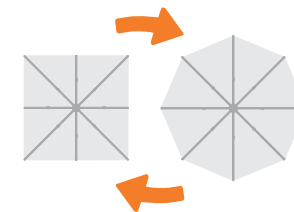
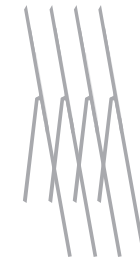
Square 2M only compatible with Round 3M

Buy a Ribspack to transform your parasol



With the RIBSPACK SQUARE swap your Round 3M Parasol to a Square 2M Parasol

RIBSPACK  
SQUARE



PACKS

RIBSPACK SQUARE

RIBSPACK ROUND

