



## INSTRUCTIONS MANUAL



**Instructions Manual** we advise every customer of Mills-Parasols.com to carefully read the instructions manual so you can correctly assemble your parasol. For any additional information please get in contact us through [helpdesk@mills-parasols.com](mailto:helpdesk@mills-parasols.com).

AV. DO EMIGRANTE N°1286  
4770-060 BENTE, PORTUGAL

MILLS-PARASOLS@MILLSPARASOLS.COM  
WWW.MILLS-PRASOLS.COM

## WHAT'S IN THE BOX 1

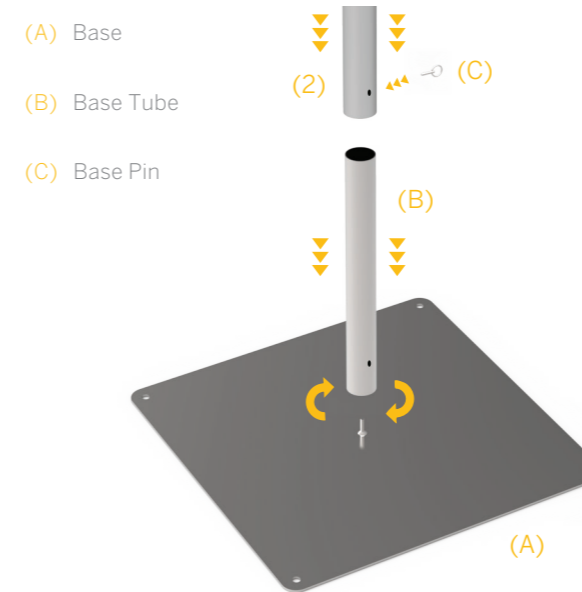
- |                        |                       |
|------------------------|-----------------------|
| (1) Parasol            | (2) Secondary Rod     |
| (3) 2 x Mills Plaque   | (4) 1 x Fork Key      |
| (5) 1 x Small Screw    | (6) 1 x Big Screw     |
| (7) 1 x Connection Nut | (8) 1 x Hexagonal Key |



## HOW TO ASSEMBLE THE BASE 2

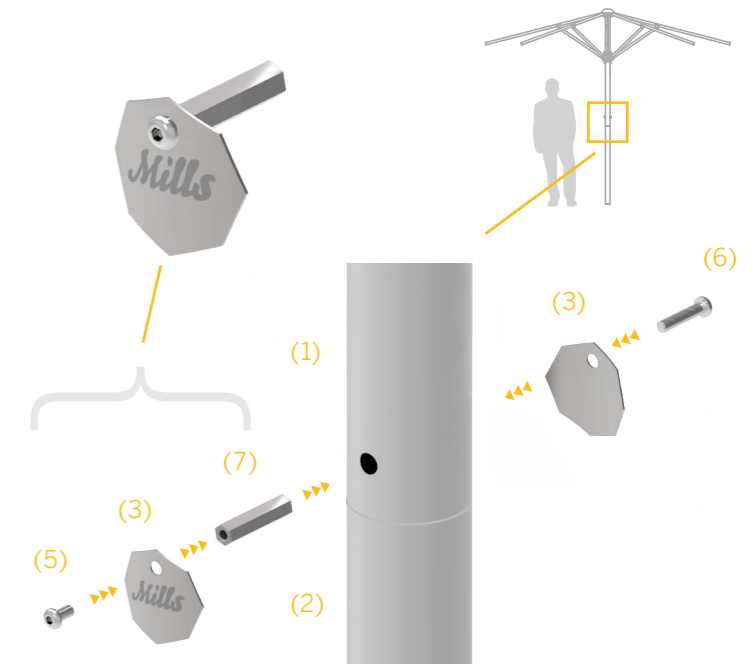
BASE NEEDED

- FIRST** join A with B by screwing them together  
**SECOND** insert 2 (Secondary Rod) in B  
**THIRD** align the holes of B and 2, then place C (base pin)



## HOW TO ASSEMBLE THE ROD 3

- FIRST** attach 1 in 2 and align the holes  
**SECOND** use 8 to mount pieces 5, 3 and 7 together  
 insert them in the bigger hole  
**THIRD** join 3 and 6 and insert them in the smaller hole  
**FOURTH** finish screwing 3 and 6 to 5, 3 and 7



## HOW IT WORKS 4

**FIT SYSTEM** using the fork key follow the next steps to insert or remove the ribs from your parasol:



## HOW TO CHANGE SHAPE 5

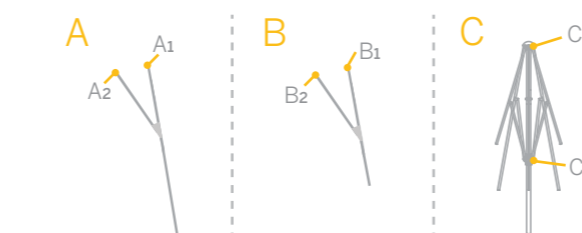
PACK NEEDED

**USING PACKS** now you can transform your round parasol in a square in just a glimpse



remove, intercalatedly, four A ribs and change them to four B ribs

remove four B ribs and replace them for four A ribs



connect A1 with C1 & A2 with C2 - connect B1 with C1 & B2 with C2

## HOW TO CHANGE CANOPY 6

- FIRST** remove the hat by pulling it up  
**SECOND** remove each rib from its canopy pocket  
**THIRD** remove the canopy from the frame  
**FOURTH** insert the center hole of the new canopy at the top of the main rod  
**FIFTH** insert each rib in its canopy pocket  
**SIXTH** insert the hat in its original place  
**SEVENTH** adjust each canopy pocket for tight fitting if necessary

