

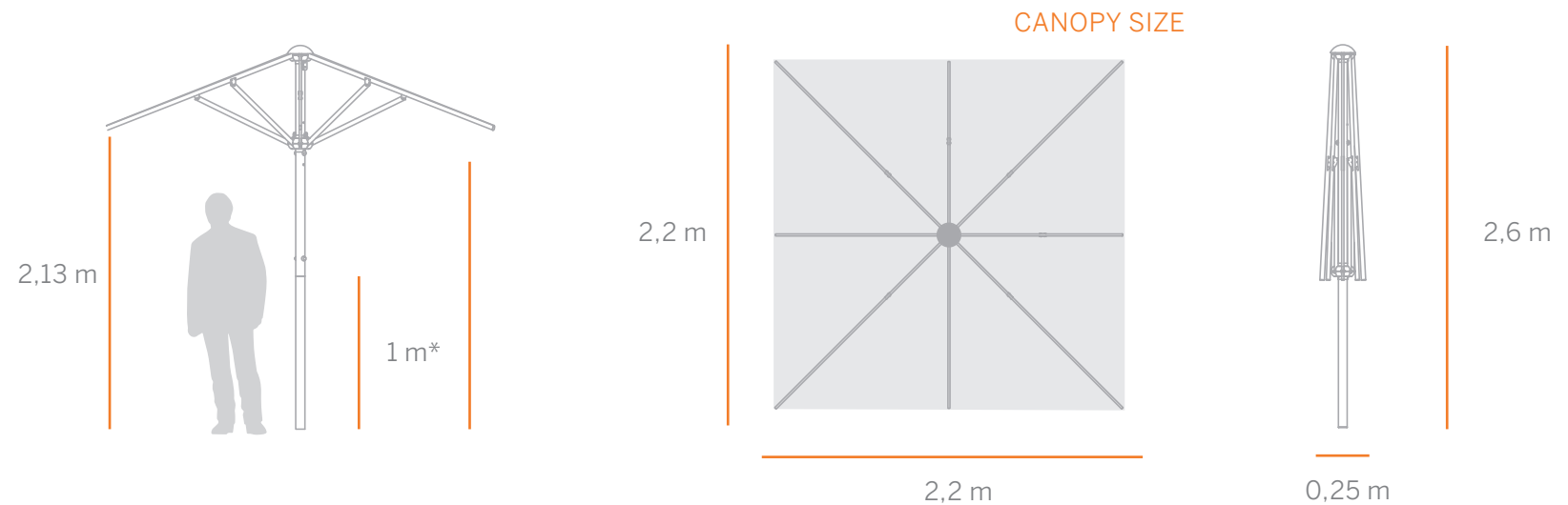


## FRAME SPECS



Our frames are made of aluminium and therefore are rather light and easy to carry. Each one consists on the main rod, which is halved for a safer shipping and easier stowage. You can add a Ribs pack to change your parasol's shape to (round or square).

### “PARASOL SQUARE 2 METERS”



### “PARASOL ROUND 3 METERS”

