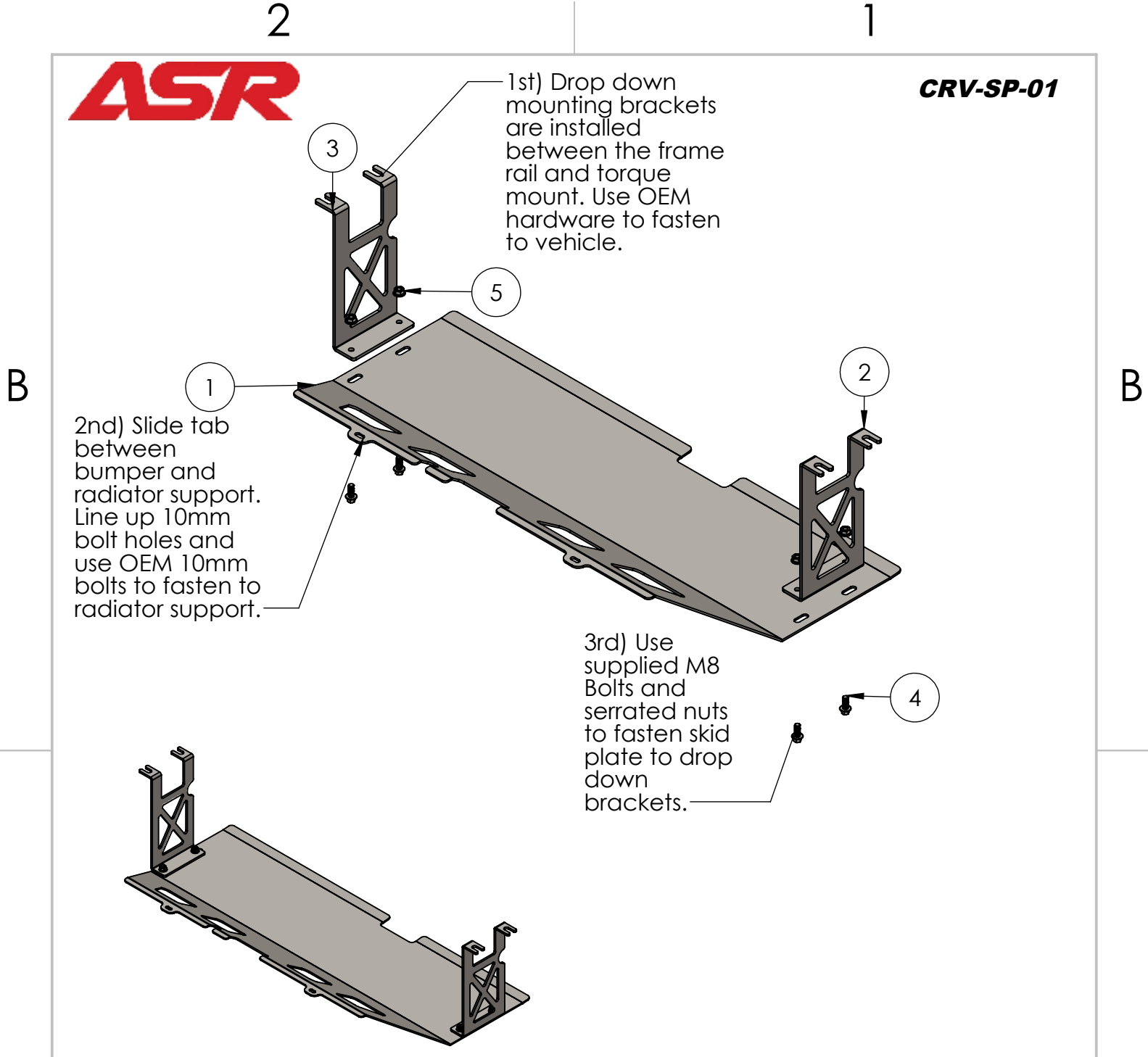




CRV-SP-01



1st) Drop down mounting brackets are installed between the frame rail and torque mount. Use OEM hardware to fasten to vehicle.

2nd) Slide tab between bumper and radiator support. Line up 10mm bolt holes and use OEM 10mm bolts to fasten to radiator support.

3rd) Use supplied M8 Bolts and serrated nuts to fasten skid plate to drop down brackets.

ITEM NO.	PART NUMBER	DESCRIPTION	QTY.
1	CRV Skid Plate	Skid Plate	1
2	Skid Plate Mount L	Frame Mounted Bracket	1
3	Skid Plate Mount R	Frame Mounted Bracket	1
4	M8 x 20	M8 Hex Head Bolt	4
5	M8 Nut	M8 Serrated Nut	4

PROPRIETARY AND CONFIDENTIAL
 THE INFORMATION CONTAINED IN THIS DRAWING IS THE SOLE PROPERTY OF A SPEC RACING. ANY REPRODUCTION IN PART OR AS A WHOLE WITHOUT THE WRITTEN PERMISSION OF A SPEC RACING IS PROHIBITED.

SOLIDWORKS Educational Product. For Instructional Use Only

CRV Skid plate