

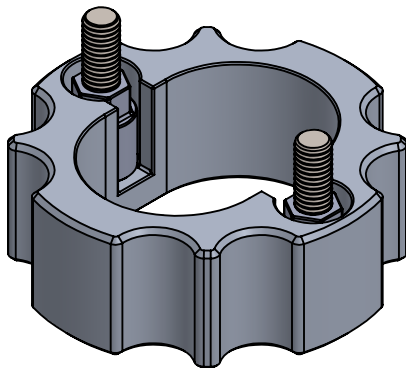
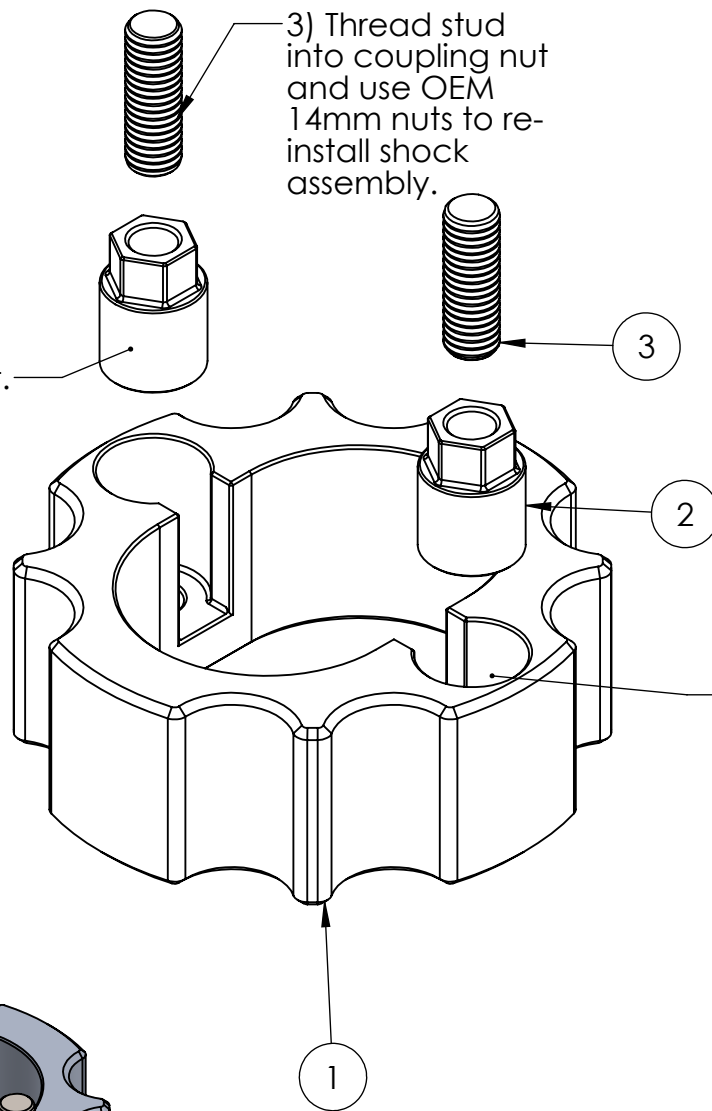


CRV-LS-XX

2) Use coupling nut to tighten lift spacer onto OEM top hat.

3) Thread stud into coupling nut and use OEM 14mm nuts to re-install shock assembly.

For the 1" lift spacer grind down OEM stud on top hat to a height of 0.5"



ITEM NO.	PART NUMBER	DESCRIPTION	QTY.
1	CRV-LS-XX	Lift Spacer	2
2	CN-XX	Coupling Nut	4
3	M10 Stud	M10 x XX	4

PROPRIETARY AND CONFIDENTIAL

THE INFORMATION CONTAINED IN THIS DRAWING IS THE SOLE PROPERTY OF

A-Spec Racing

ANY REPRODUCTION IN PART OR AS A

WHOLE WITHOUT THE WRITTEN PERMISSION OF **A-Spec Racing** IS PROHIBITED.

SOLIDWORKS Educational Product. For Instructional Use Only

CRV Lift Spacer