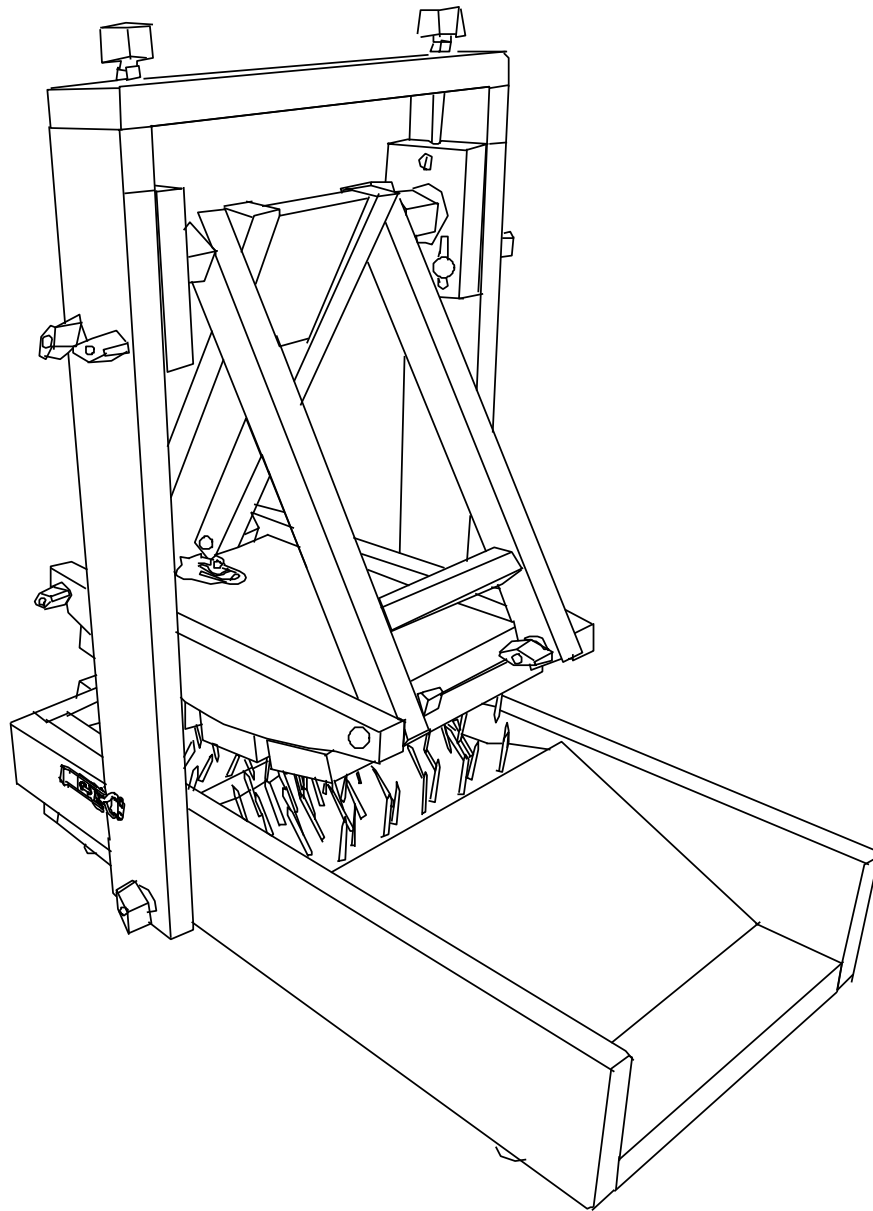


Wool Picker Manual

"The Fainting Maid" Because it collapses...

Baruch Adriel



Fainting Maid Wool Picker Instructions

Congratulations on your new purchase! The “Fainting Maid” will speed up your fiber processing time, and you will appreciate the ease of transportation and storage the collapsed position offers. We encourage you to experiment with different adjustments on the Fainting Maid until you find the setting that works best for the fiber *you* are putting through the picker, and remember, if you ever get lost on the adjustments you can always start right back at the basic adjustment line and you’re set! The following pages are filled with easy to follow diagrams showing you how to raise, collapse, and adjust your picker.

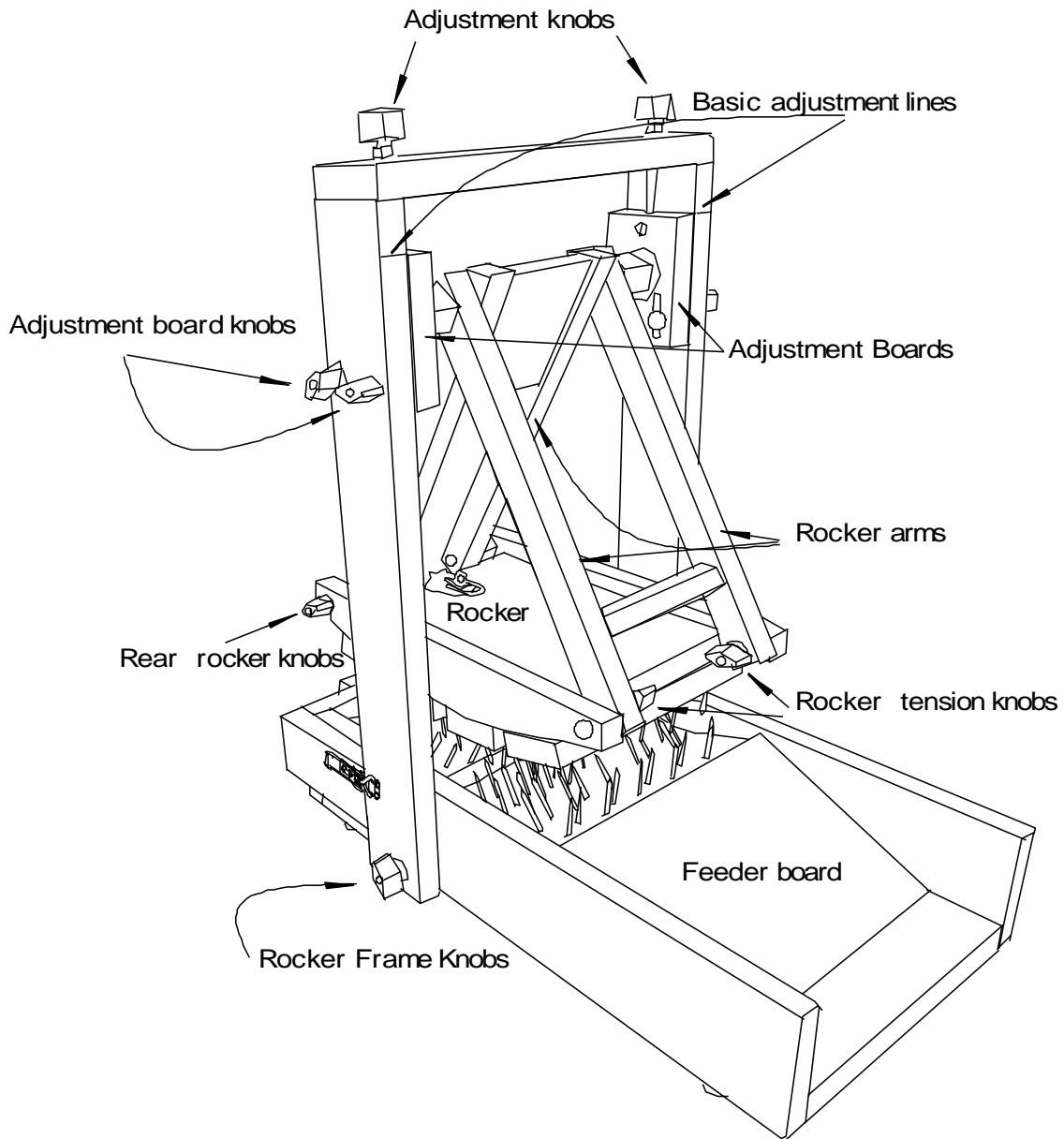
Fainting Maid Wool Picker Instructions

Below are a few pointers to keep in mind while operating the “Fainting Maid” wool picker.

- Remember it’s a miniature swing picker; try taking “miniature swings” to pick the wool, and larger swings to send it out the back.
- Too Aggressive? Try adjusting the picker, See pages 17 & 18.
- Be very cautious while operating the swing picker, the points are very sharp.
- *Note:* a slight movement of the top of the picker during operation is normal and will not affect the performance in the least. To reduce movement, ***firmly*** tighten rocker frame knobs, and see step 8.

Fainting Maid Wool Picker Instructions

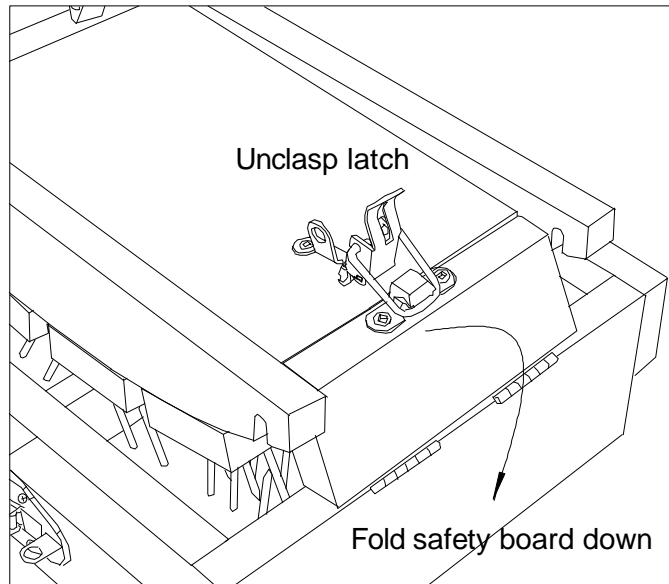
Get to know your Fainting Maid wool picker.



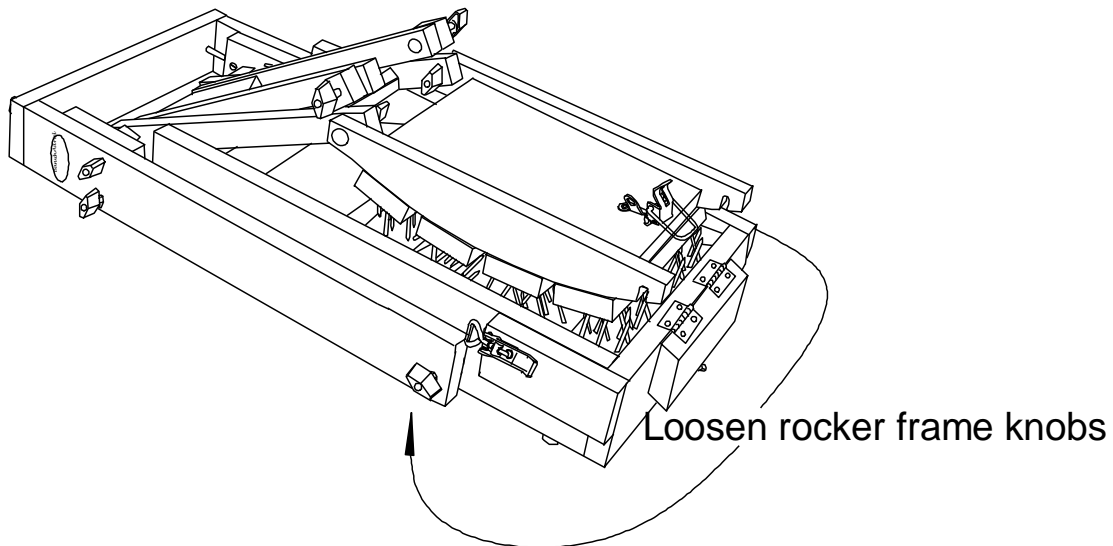
Fainting Maid Wool Picker Instructions

To raise the wool picker from the collapsed position:

1. Unclasp the safety board latch, then fold the safety board down.

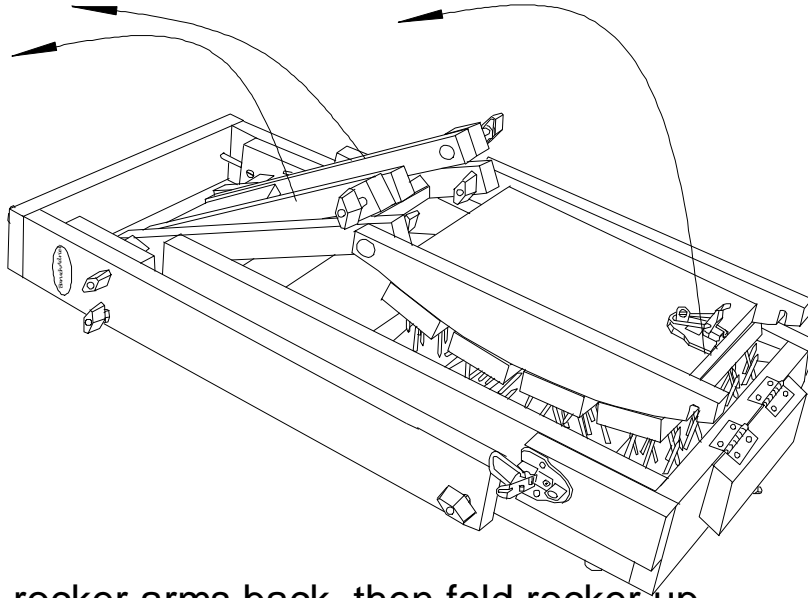


2. Loosen rocker frame knobs.



Fainting Maid Wool Picker Instructions

3. First fold the top two rocker arms up and back, then fold the rocker up.

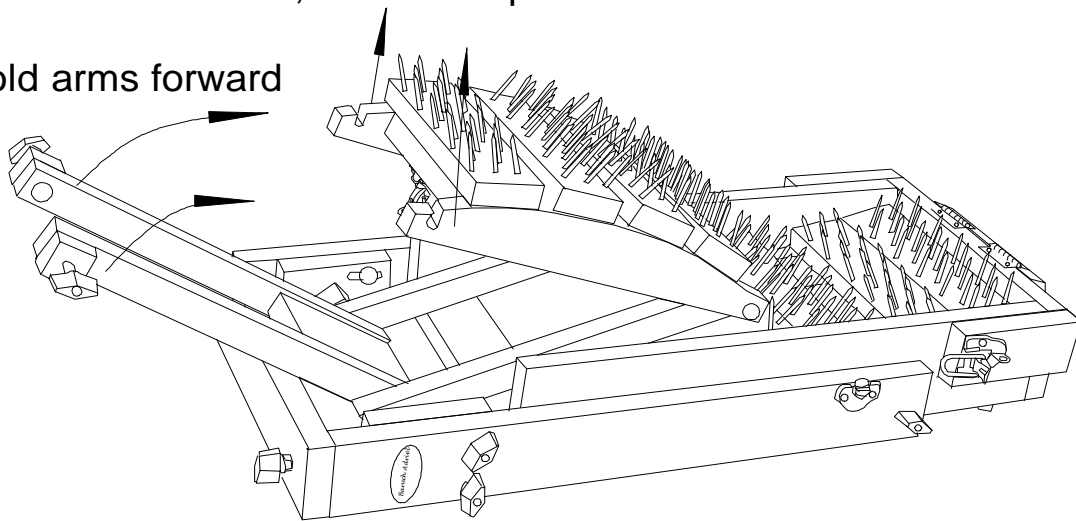


Fold rocker arms back, then fold rocker up

4. Fold rocker arms forwards. With rocker arms forward lift the rocker up, inserting the bolts on the rocker arms into the slots on the rocker.

With arms forward, lift rocker up and insert bolts into slots

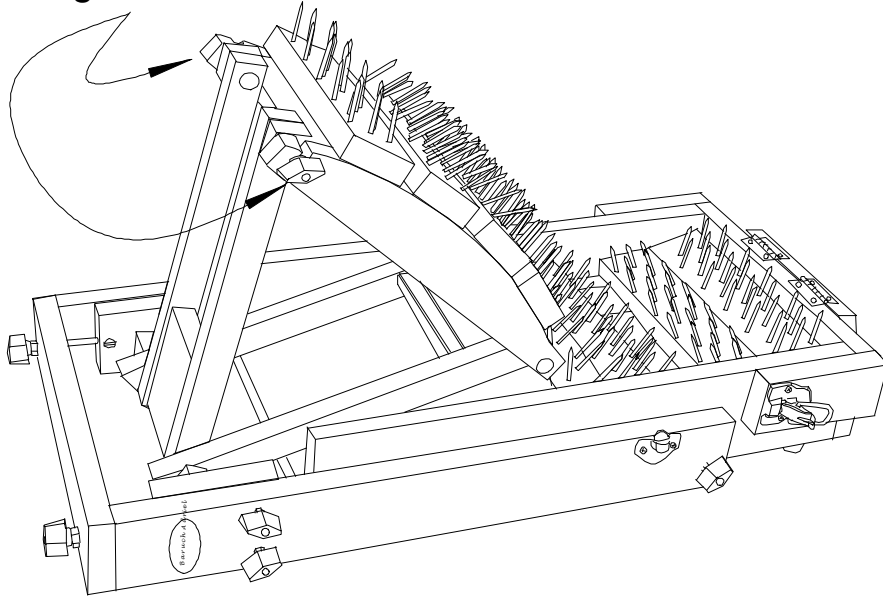
Fold arms forward



Fainting Maid Wool Picker Instructions

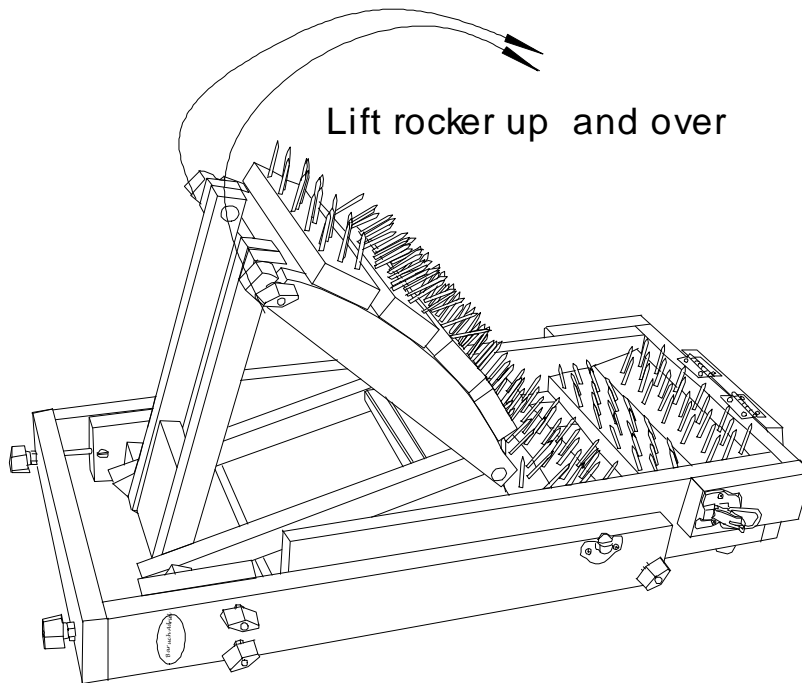
5. Tighten the two rear rocker knobs.

Tighten rear rocker knobs



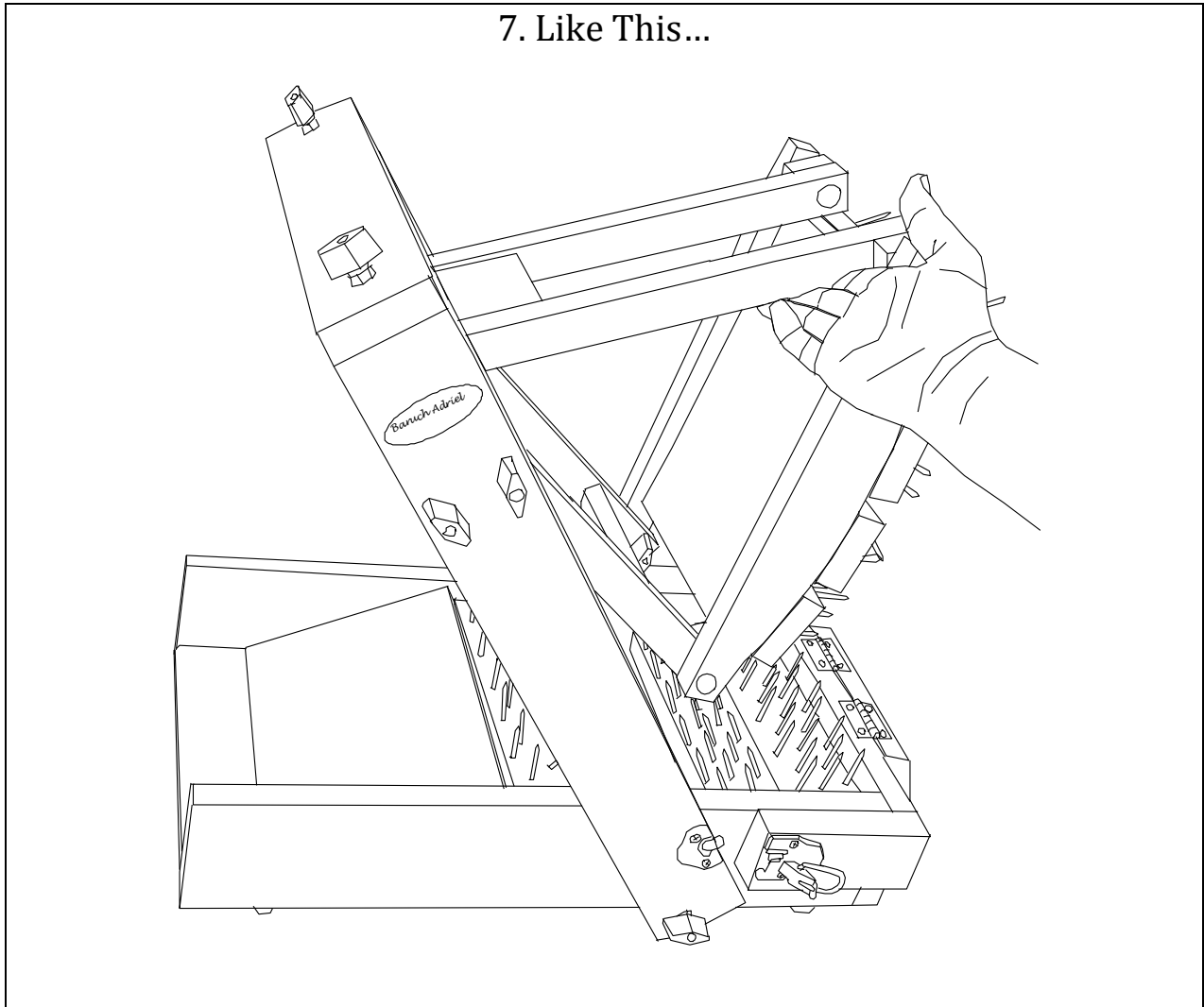
6. Lift rocker up and over with one hand, raising the picker into the upright position. (See step 7.)

Lift rocker up and over



Fainting Maid Wool Picker Instructions

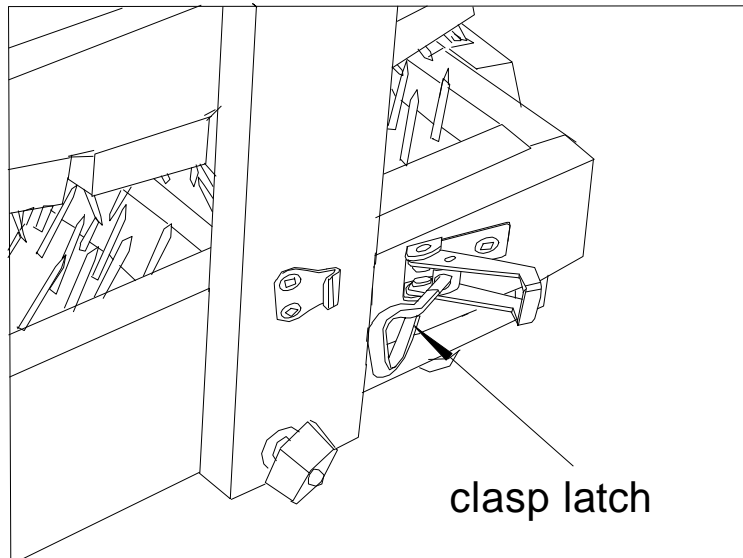
7. Like This...



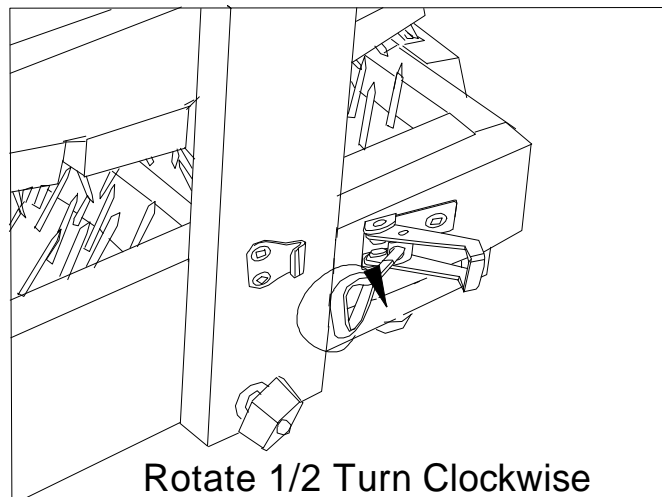
Fainting Maid Wool Picker Instructions

8. Clasp the rocker frame latches, holding the picker in the upright position.

(There is a latch on both sides of the picker.)

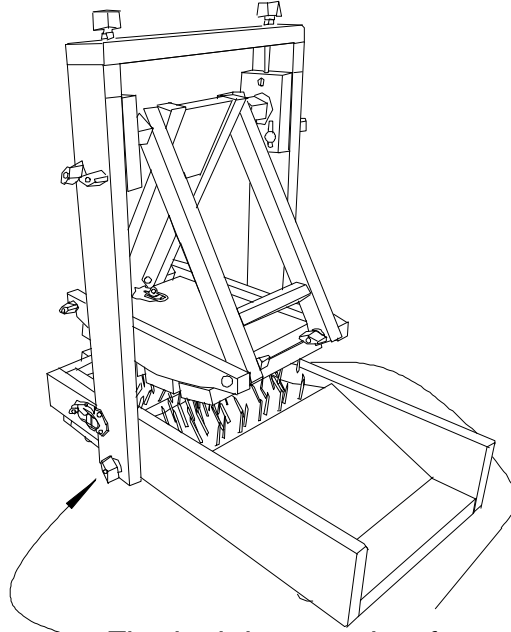


As you use your picker it will develop a slight forward and backward movement of the top of the picker. This is normal, and won't affect the picking process. If you wish to reduce this movement simply unclasp latch and rotate the latch screw clockwise $\frac{1}{2}$ turn, and reclasp. (Repeat on other side).



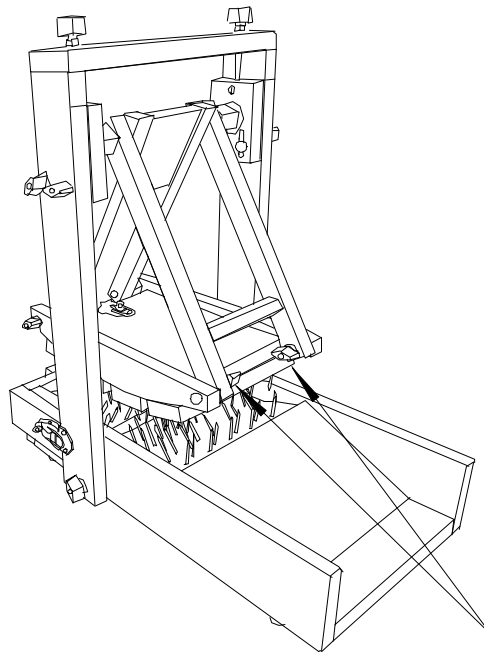
Fainting Maid Wool Picker Instructions

9. *Firmly* tighten rocker frame knobs.



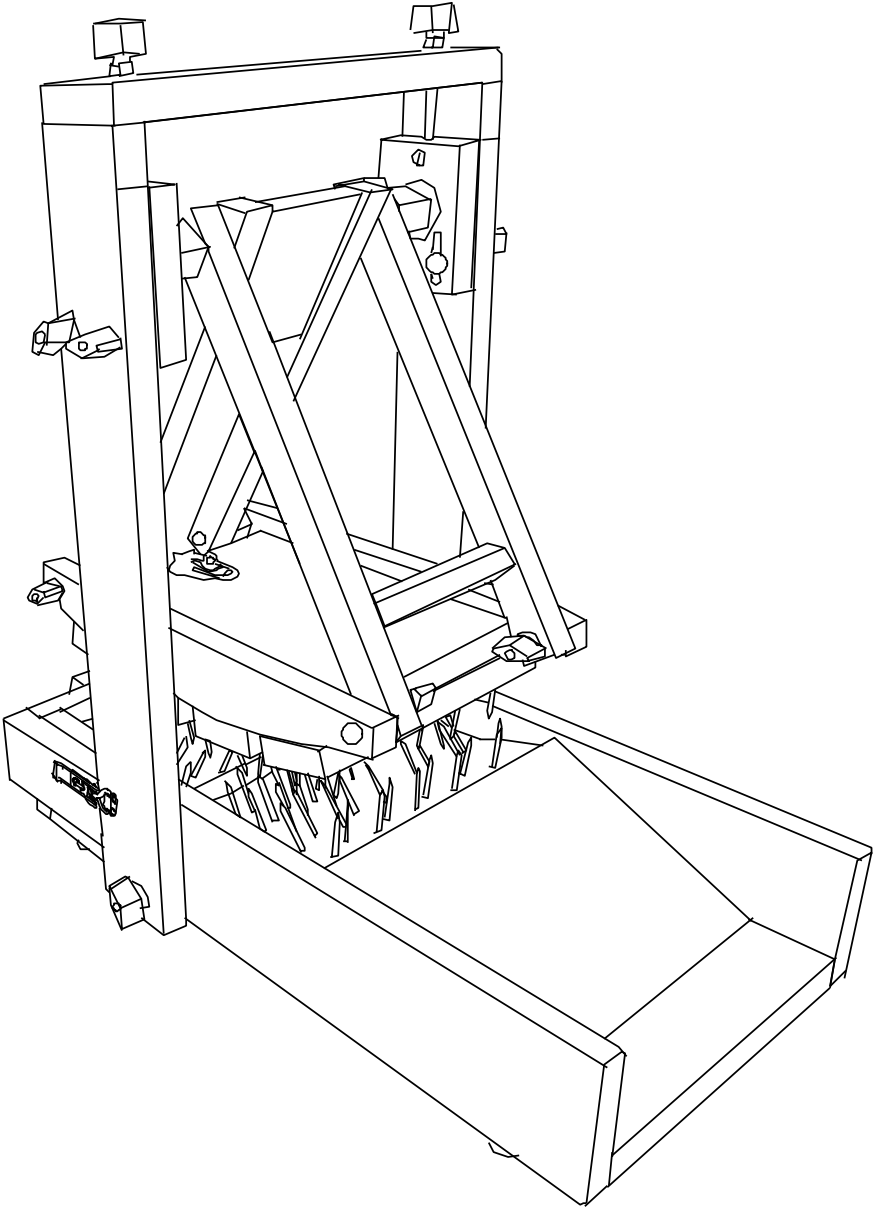
Firmly tighten rocker frame knobs

10. Make sure the two rocker tension knobs are snug.



Ensure rocker tension knobs are snug

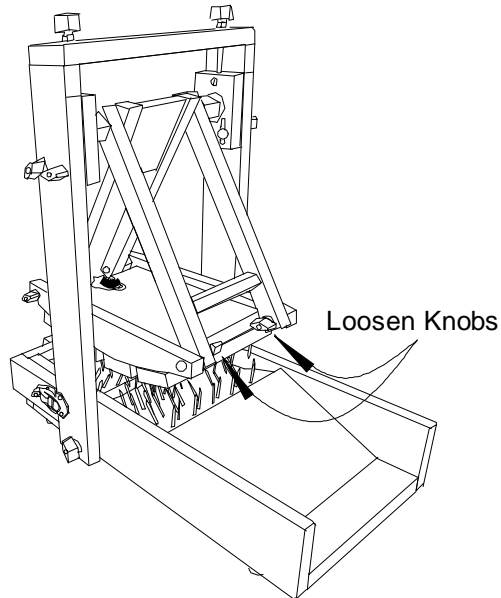
Fainting Maid Wool Picker Instructions



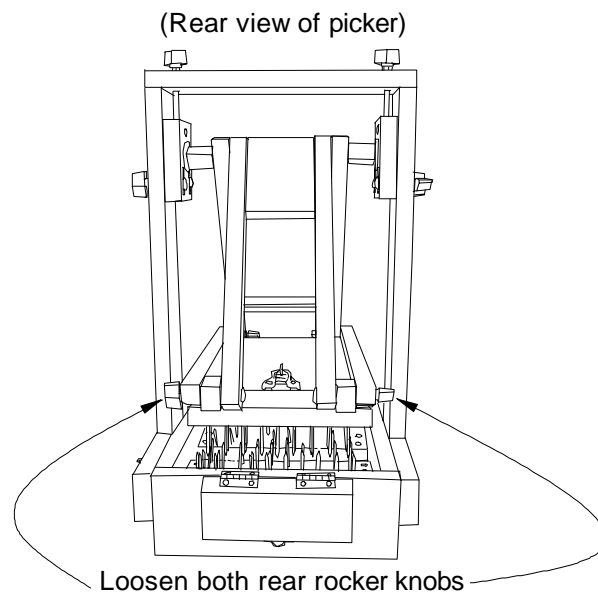
Fainting Maid Wool Picker Instructions

To collapse wool picker from raised position:

1. Slightly loosen rocker tension knobs as shown.

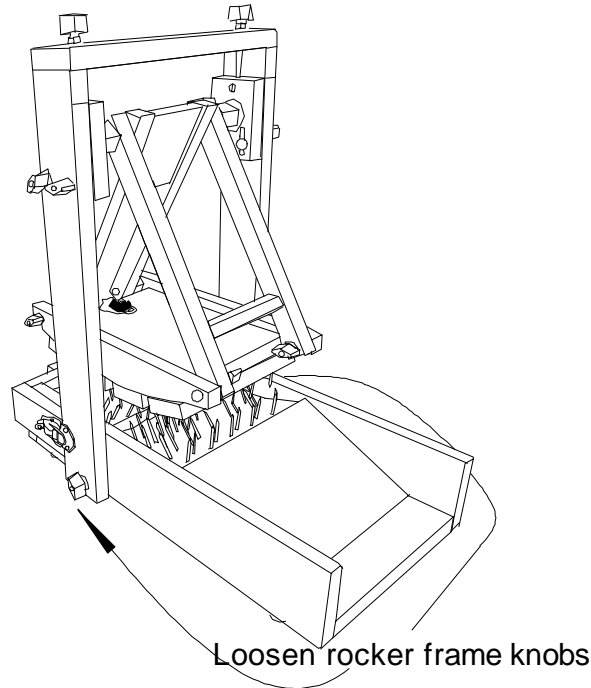


2. Loosen both rear rocker knobs.

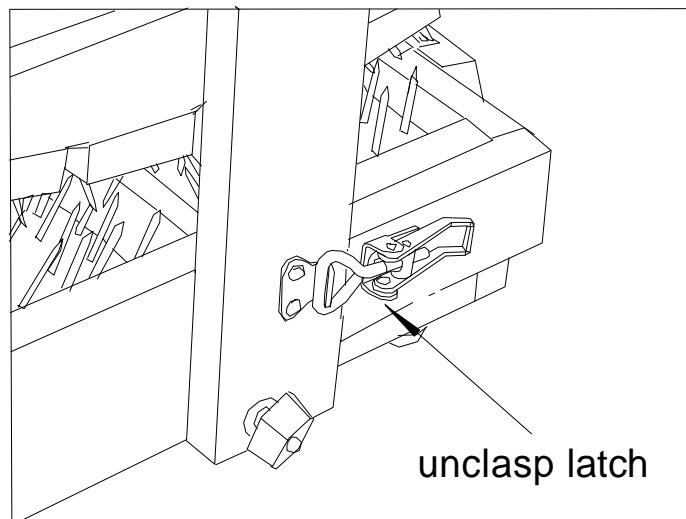


Fainting Maid Wool Picker Instructions

3. Slightly loosen *both* of the rocker frame knobs. There's a knob on both the right and left side of the picker, at the base.

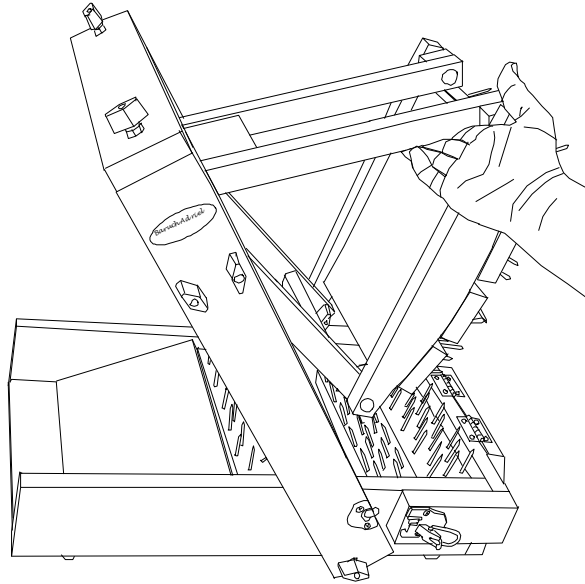


4. Unclasp both rocker frame latches. (One on each side of the picker.)



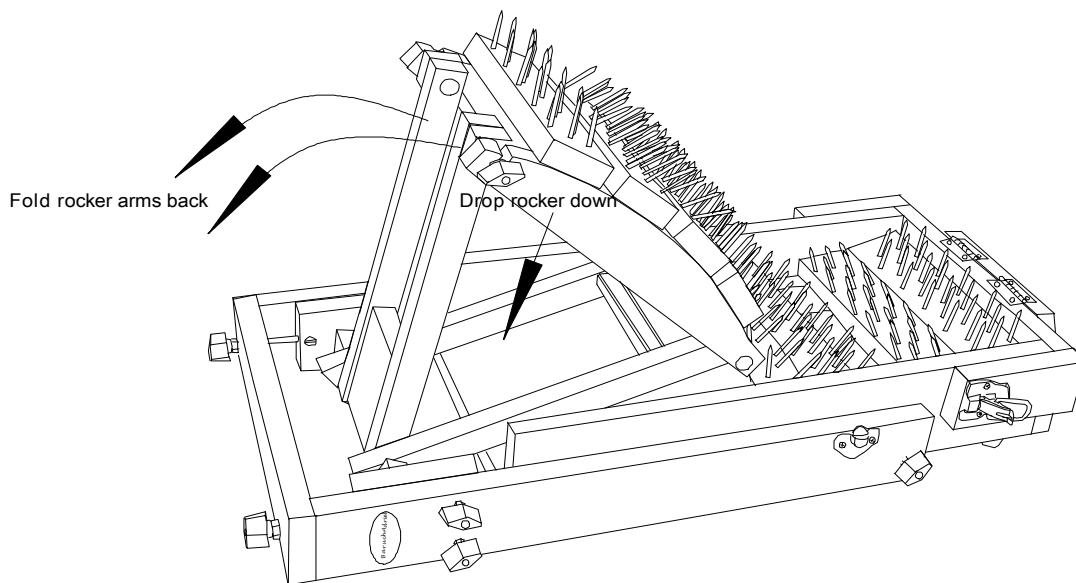
Fainting Maid Wool Picker Instructions

5. With picker standing sideways in front of you, swing rocker back and down as shown.



Swing rocker back, and fold down

6. First drop the rocker down, then fold the rear rocker arms back.



Fold rocker arms back

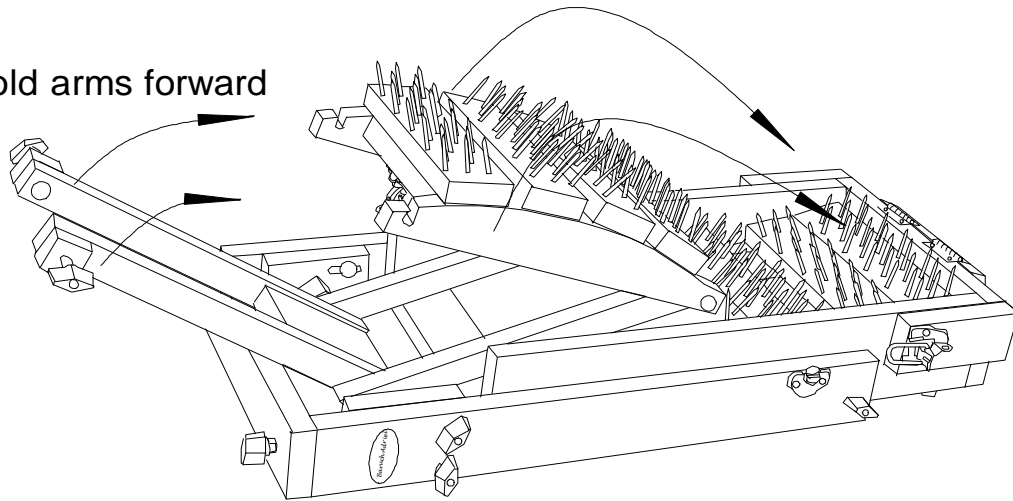
Drop rocker down

Fainting Maid Wool Picker Instructions

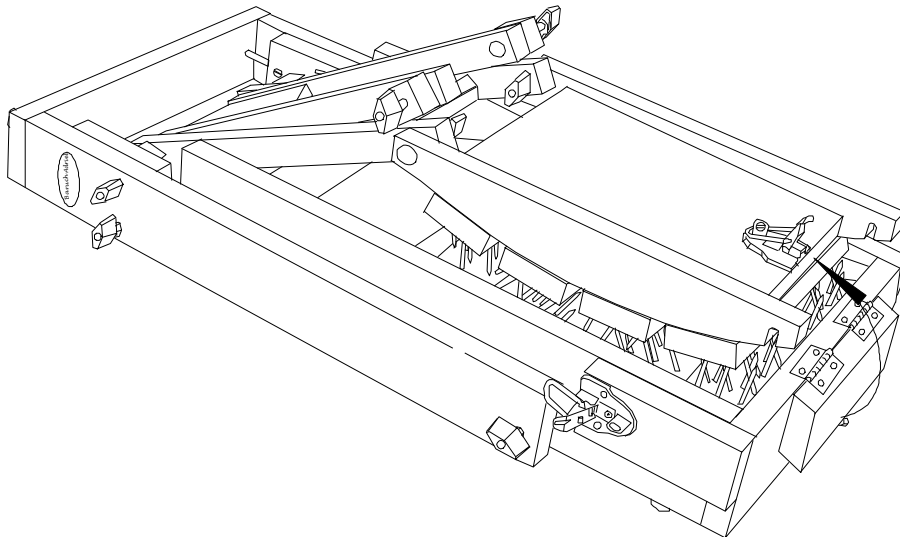
7. First, lift rocker up and fold it down into the bottom bed of teeth, then fold the rear rocker arms down.

Lift rocker and fold down.

Fold arms forward



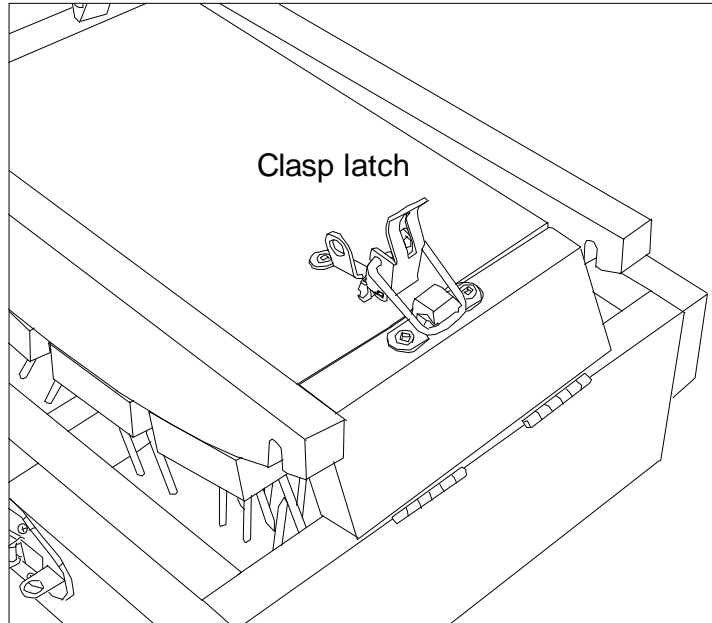
8. Fold the safety latch board up to the rocker as shown.



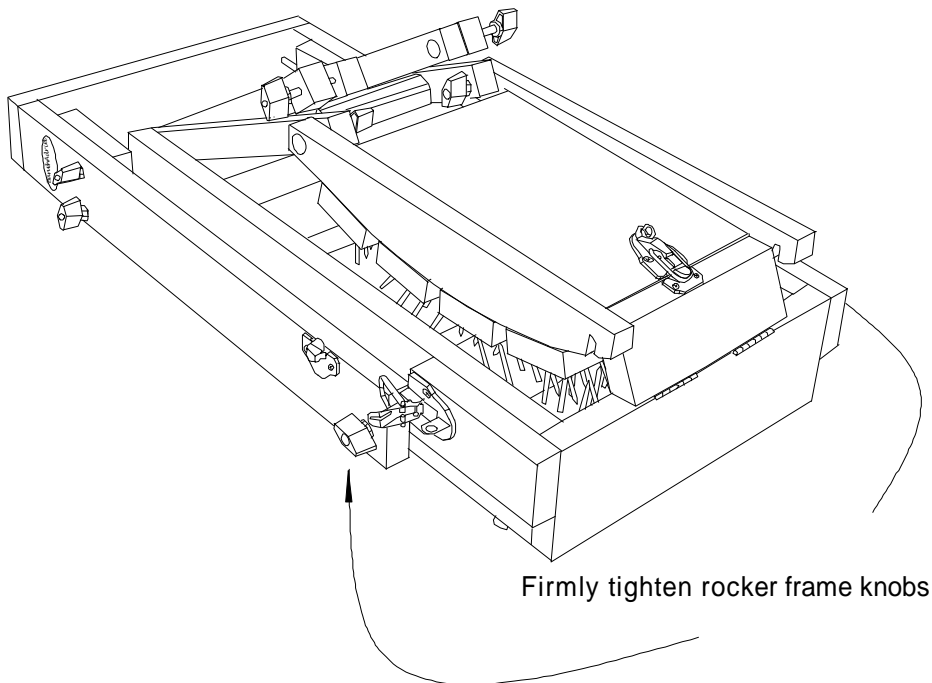
Fold safety latch board up

Fainting Maid Wool Picker Instructions

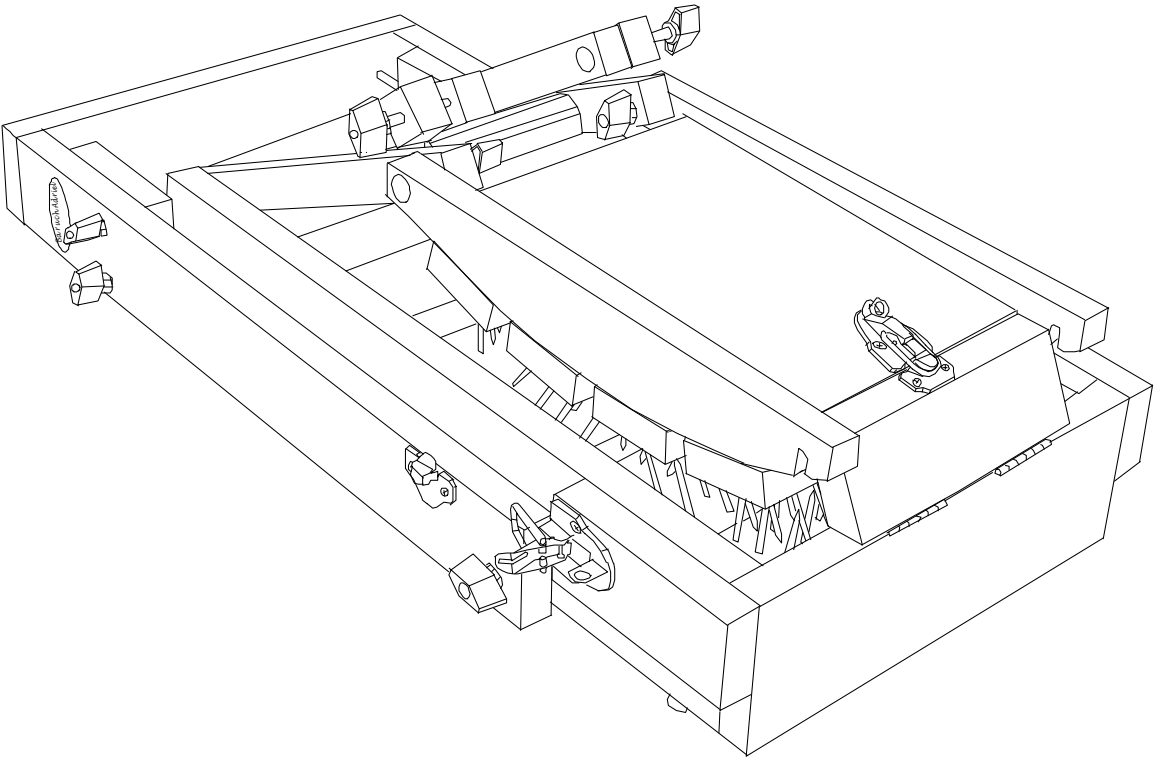
9. Latch safety board to rocker as shown.



10. Firmly tighten the two rocker frame knobs. There's one on each side of the picker.



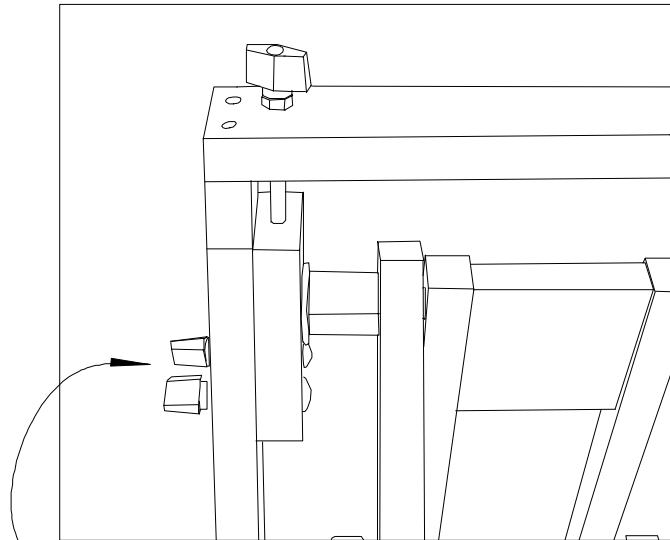
Fainting Maid Wool Picker Instructions



Fainting Maid Wool Picker Instructions

To adjust the wool picker:

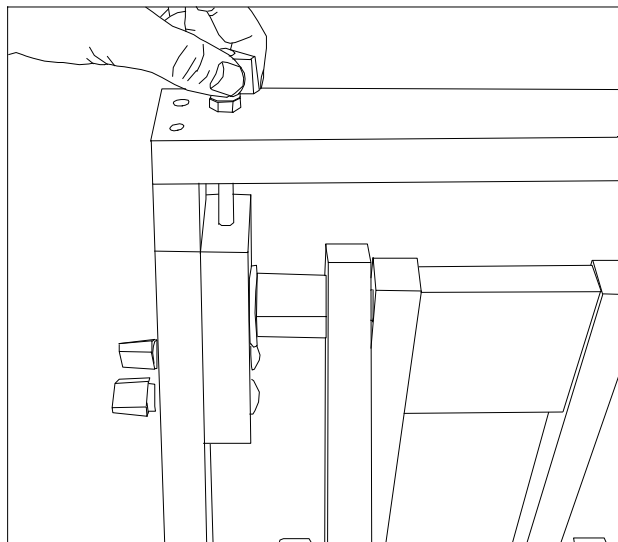
1. Loosen the two adjustment board knobs on each side of the picker



Loosen adjustment board knobs

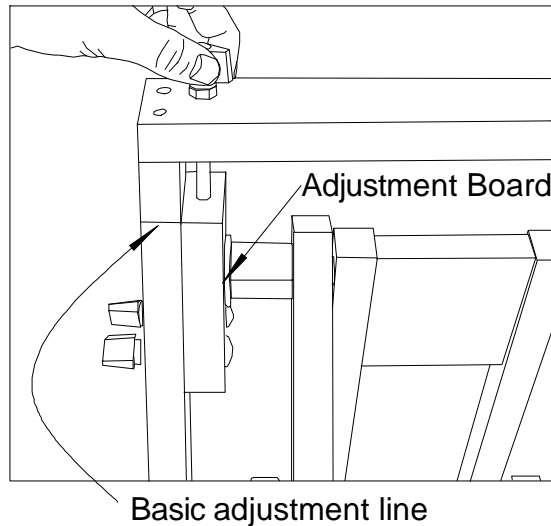
2. To raise and lower the rocker, simply turn the two adjustment knobs on the top of the picker.

(Caution: *Do not force adjustment knobs. If knobs become hard to turn you have likely reached the highest adjustment possible.*)



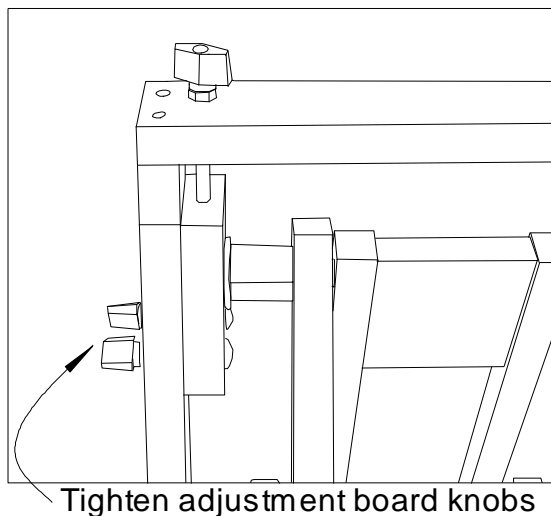
Fainting Maid Wool Picker Instructions

3. Begin by lining the top of the adjustment *boards* even with the basic adjustment *lines* as shown. The basic adjustment line is a recommended adjustment for medium wools. To further adjust wool picker to your own specifications, simply rotate the two adjustment knobs equal number of turns to raise or lower the rocker.



If the teeth knock against each other when you swing the rocker, raise or lower one side of the rocker until the teeth swing clearly between each other.

4. After you are finished with your adjustments, snugly tighten the two adjustment board knobs on each side of the picker.



Fainting Maid Wool Picker Instructions

Notes:

Here you can make notes on which setting works best for each type of fiber you send through.

(Example: Romney wool, 1/2 turn below basic adjustment line.)

1. _____
2. _____
3. _____
4. _____
5. _____
6. _____
7. _____
8. _____
9. _____
10. _____
11. _____
12. _____
13. _____
14. _____
15. _____
16. _____
17. _____
18. _____