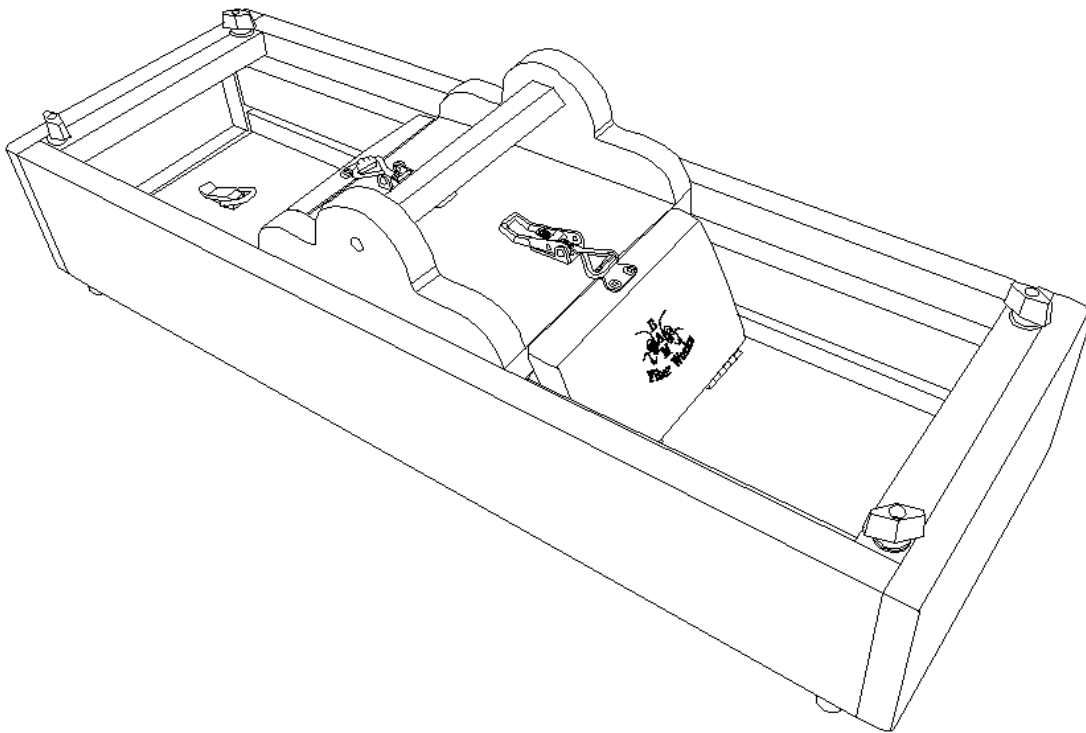




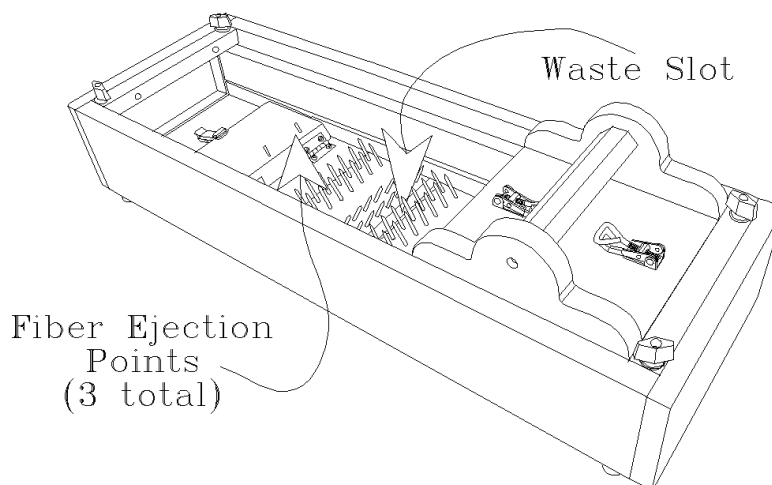
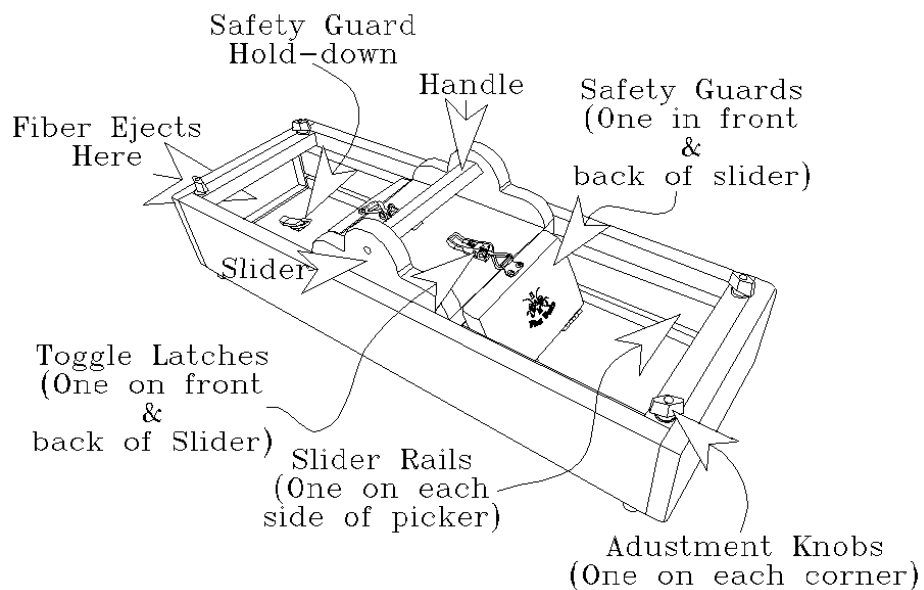
Busy Butler Manual



Congratulations on your new purchase! This picker will vastly speed up your fiber processing time. You will appreciate the ease of operation and the flexibility it offers with different types of fiber. We encourage you to experiment with different adjustments until you find the setting that works best for the fiber *you* are putting through the picker. The following pages are filled with easy to follow diagrams helping you get familiar with your fiber processing tool.

Get to know your picker

Take some time to get to know your picker. All parts mentioned in the manual can be identified by referring to the illustrations below.

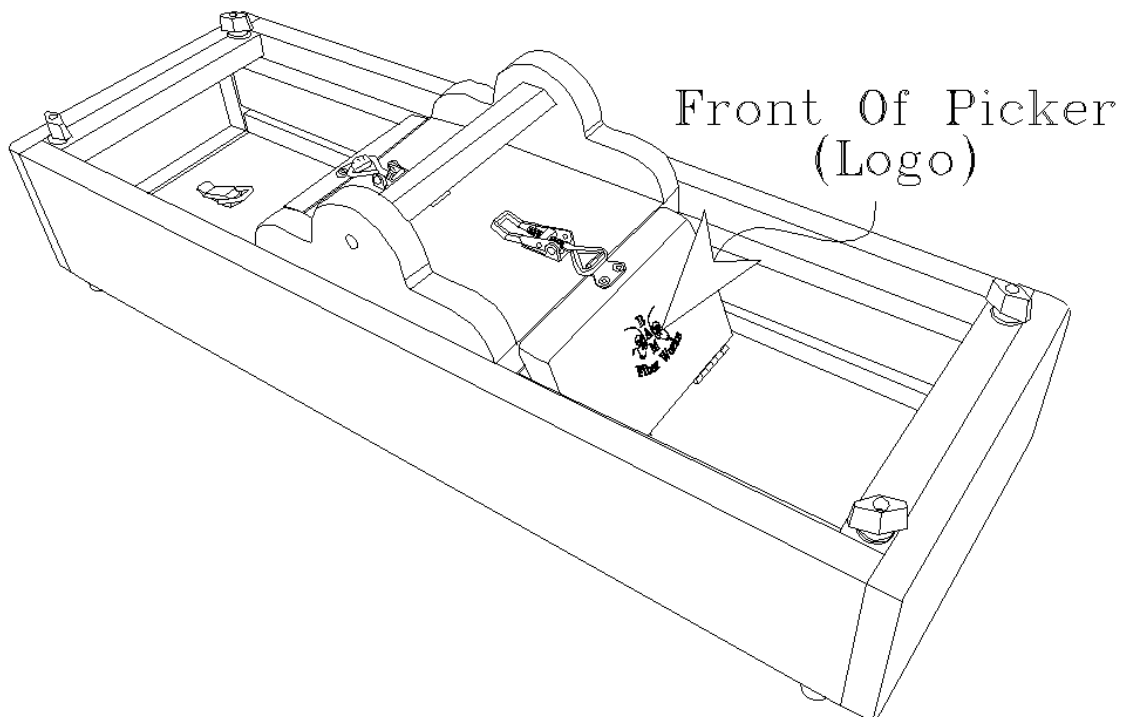


Picking Fiber

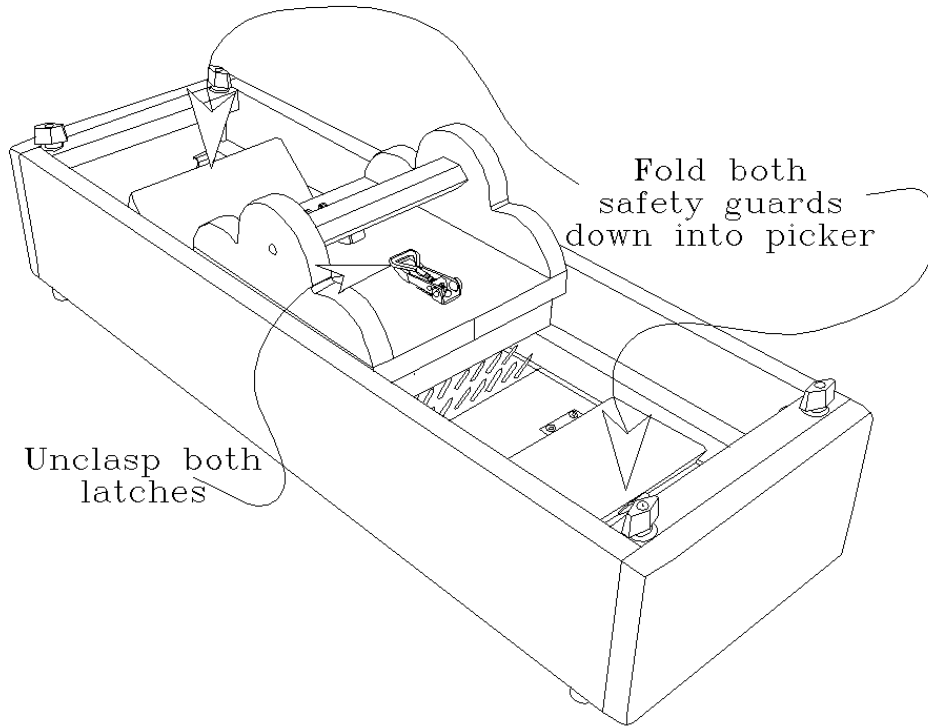
Caution: The points are sharp! Use care when working with and around picker.
This picker is designed so your hands will never have to come in contact with the points.

To get started place the front end of the picker towards you.

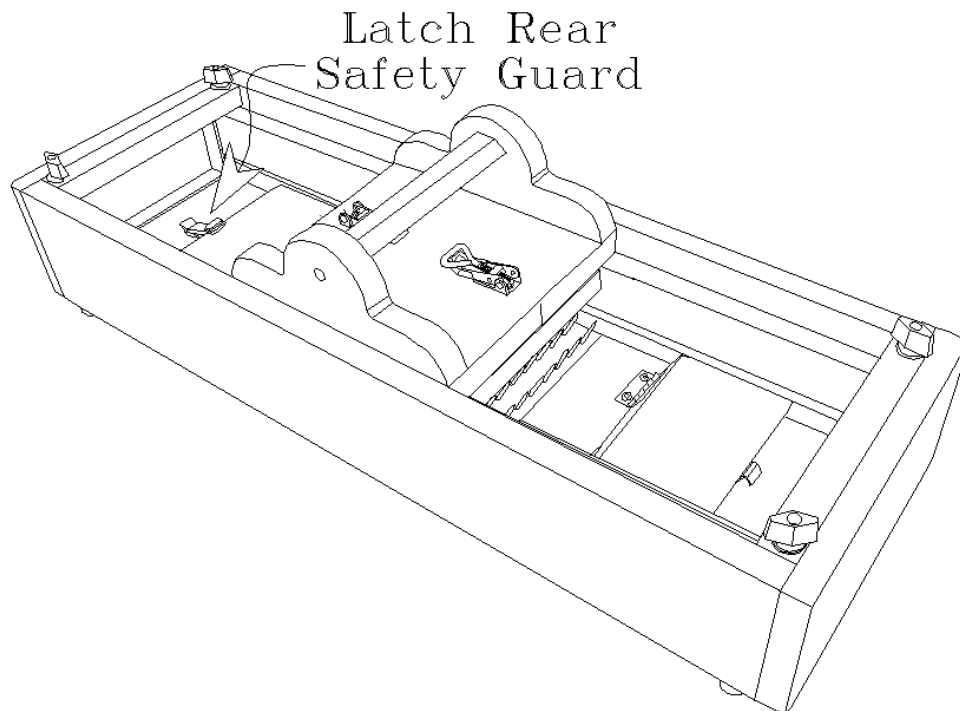
The front of picker is the end with the logo “BAM Fiber Works” stamped on the safety guard.



Fold down safety guards.

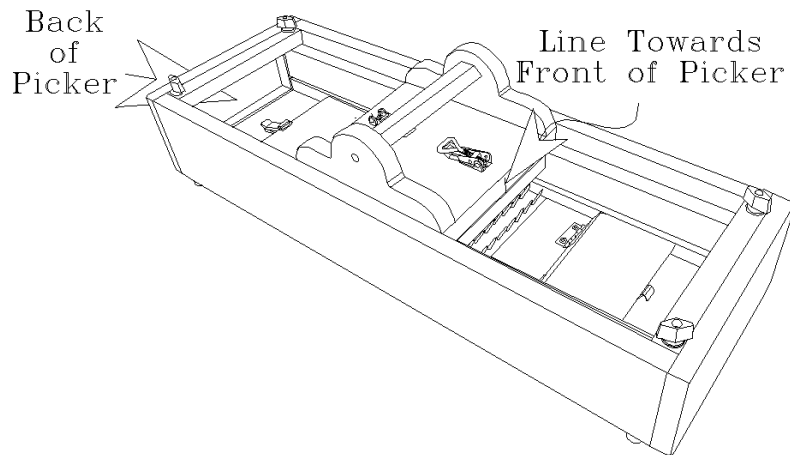


Latch rear safety guard down as shown.



It's important the Slider is positioned the correct direction inside the picker.

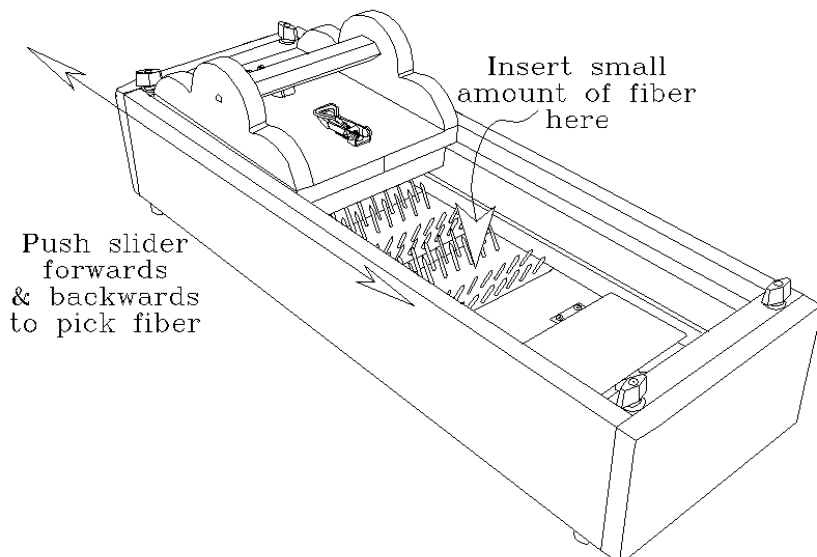
The vertical line on the front of the slider should be towards the front of the picker and facing away from the back as shown below.



With the Slider pushed to the back of the picker, place a small amount of fiber between the front two rows of points.

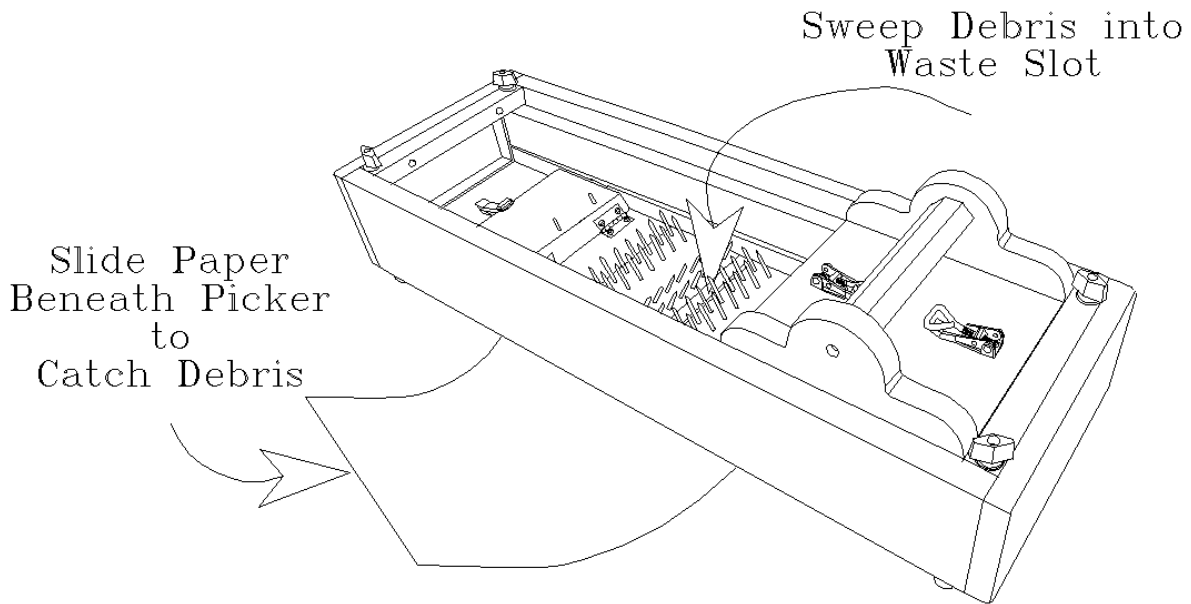
As you work the Slider back and forth, the fiber will fluff up, and come out the back of picker.

It's a good idea to have a container or bag to catch the fiber as it comes out the back.



Cleaning Your Picker

After a lot of use, debris from the fiber will fall to the bottom of the picker and needs to be cleaned out. To clean the picker, slide a newspaper or something similar under the middle of the picker to catch the debris. Use a brush to sweep the debris into the Waste Slot in the middle of the picker. A vacuum cleaner can also be used.

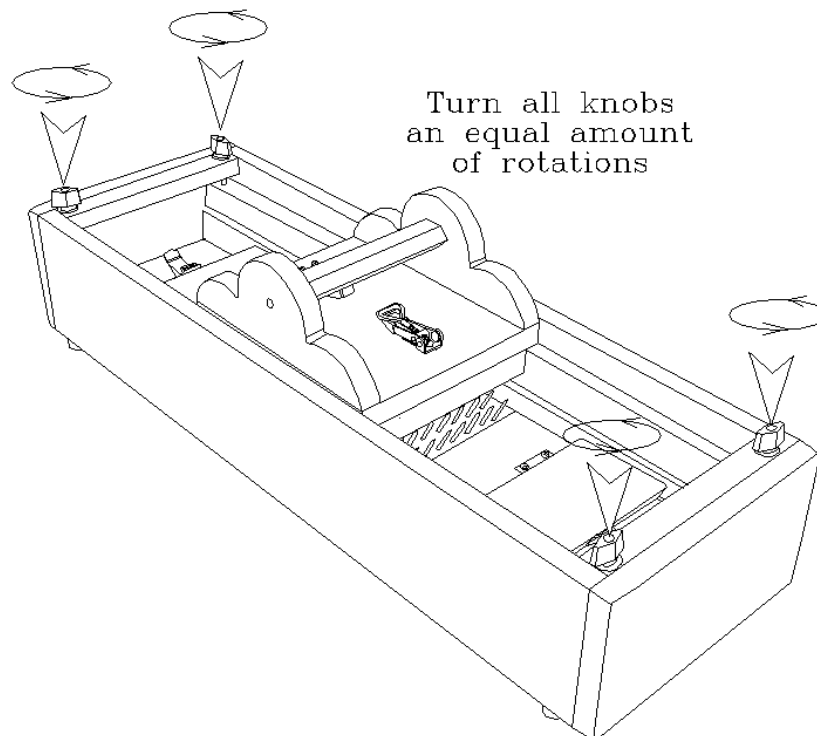


Adjusting Your Picker

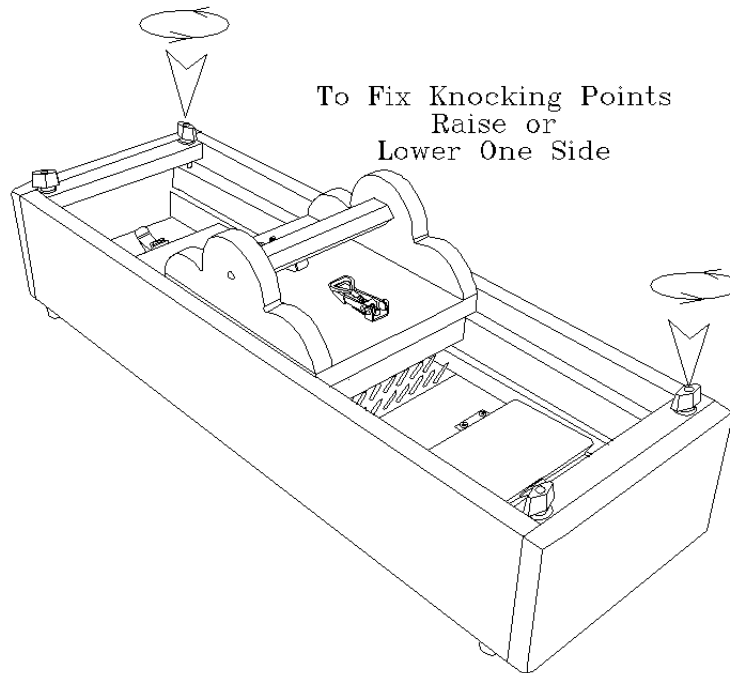
It is very important that your picker is adjusted properly for the types of fiber you send through it. The picker needs to be set less aggressively for finer fibers and more aggressively for coarser fibers. Determining the picker setting for your types of fiber will require some experimenting. The more aggressive the setting, the better the picking job but the harder it is on the fiber. The goal is to go as aggressive as possible without tearing the fiber. A good basic starting point is to have the points overlap on average the thickness of a piece of paper.

If you wish to save an adjustment you have found that works well for your fiber, count the number of turns it takes for the slider rails to raise to the highest adjustment possible. Write down the number of turns in the **Notes** section at the end of this manual. (Don't forget to return picker to previous setting, after counting turns.)

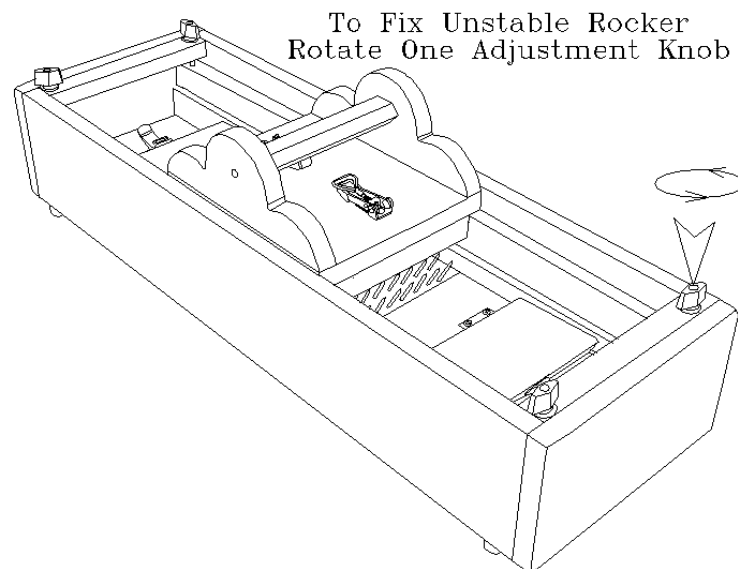
With the safety guards folded down inside the picker, rotate all four adjustment knobs equally to raise, or lower the slider.



If the points knock against each other when you swing the rocker, you need to make an adjustment. This typically happens after the height has been changed. To fix this, raise or lower evenly both adjustment knobs one side of the picker until the points align properly again.



If the slider is rocking back and forth significantly on the slider rails, it is necessary to raise or lower one of the four knobs as needed to give the slider a level surface to glide on.



Notes:

Here you can make notes on which setting works best for each type of fiber you send through.

(Example: Romney wool, X turns from lowest adjustment)

1. _____
2. _____
3. _____
4. _____
5. _____
6. _____
7. _____
8. _____
9. _____
10. _____
11. _____
12. _____
13. _____
14. _____
15. _____
16. _____
17. _____
18. _____