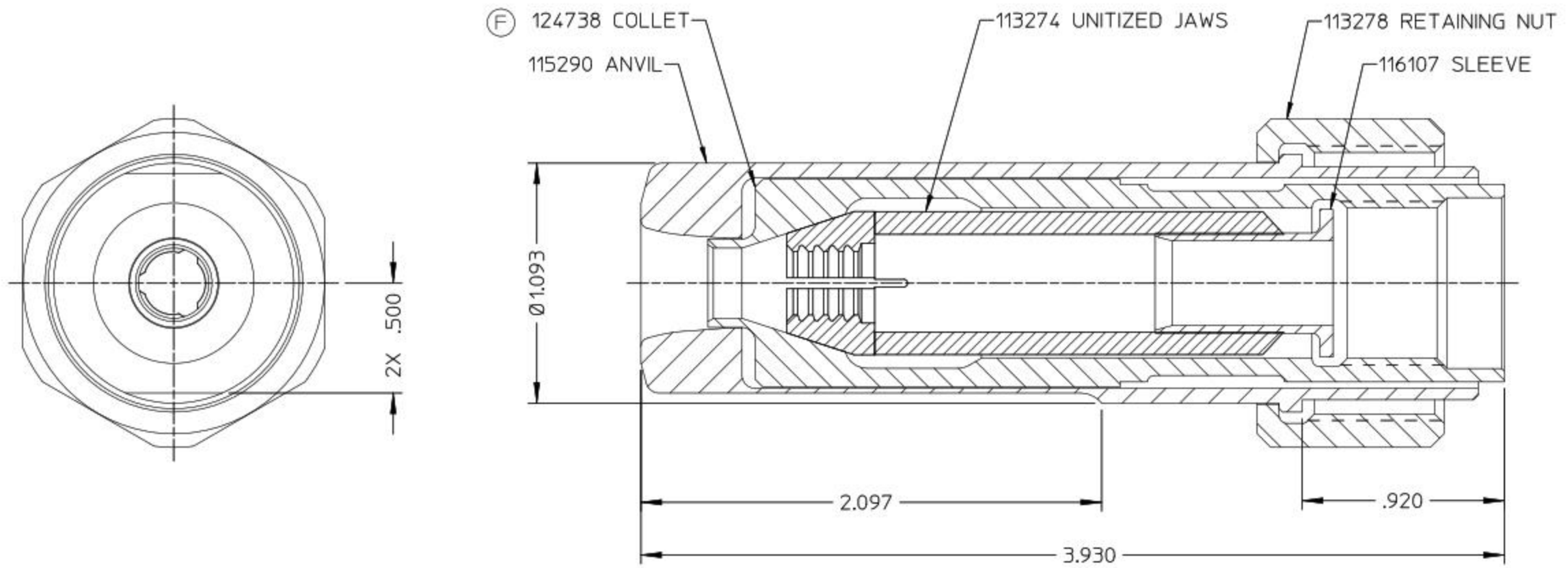


REV	DESCRIPTION	DATE
F	COLLET 124738 REPLACED COLLET 115291, LOCK COLLAR 89795, AND SHM 89298	07-31-95



FORM: KE104 REV C		By accepting this proprietary Huck drawing, recipient agrees not to reproduce or disclose any part thereof to any others without the written permission of Huck International, Inc.	
MATERIAL:	-	SPEC:	TOLERANCES UNLESS OTHERWISE SPECIFIED: (ALL DIMENSIONS ARE IN INCHES)
HARDNESS:	-	(RAW OR STOCKED STATE)	
HEAT TREAT TO:	-	SPEC:	.XX, .XXX ±
SURFACE TREAT:	-	SPEC:	INT. COR. RADII
SURFACE FINISH NOT TO EXCEED: Ra		BREAK EDGES	-
IDENTIFICATION PER SPEC 42-311: ★ ETCH		ANGLES ±	-
SURFACES TO BE ☉, //, ⚙, ⊥, & □ WITHIN T.I.R.		FINAL ASSY:	
		HUCK INTERNATIONAL, INC., I.S.D. 85 GRAND STREET, P.O. BOX 2270 KINGSTON, NEW YORK 12401	
		NOSE ASSEMBLY -10 MG	
DET: SMR	CK:	DATE: 07-31-95	SCALE: 2/1
FOC:		B	99-1439
FAC:			