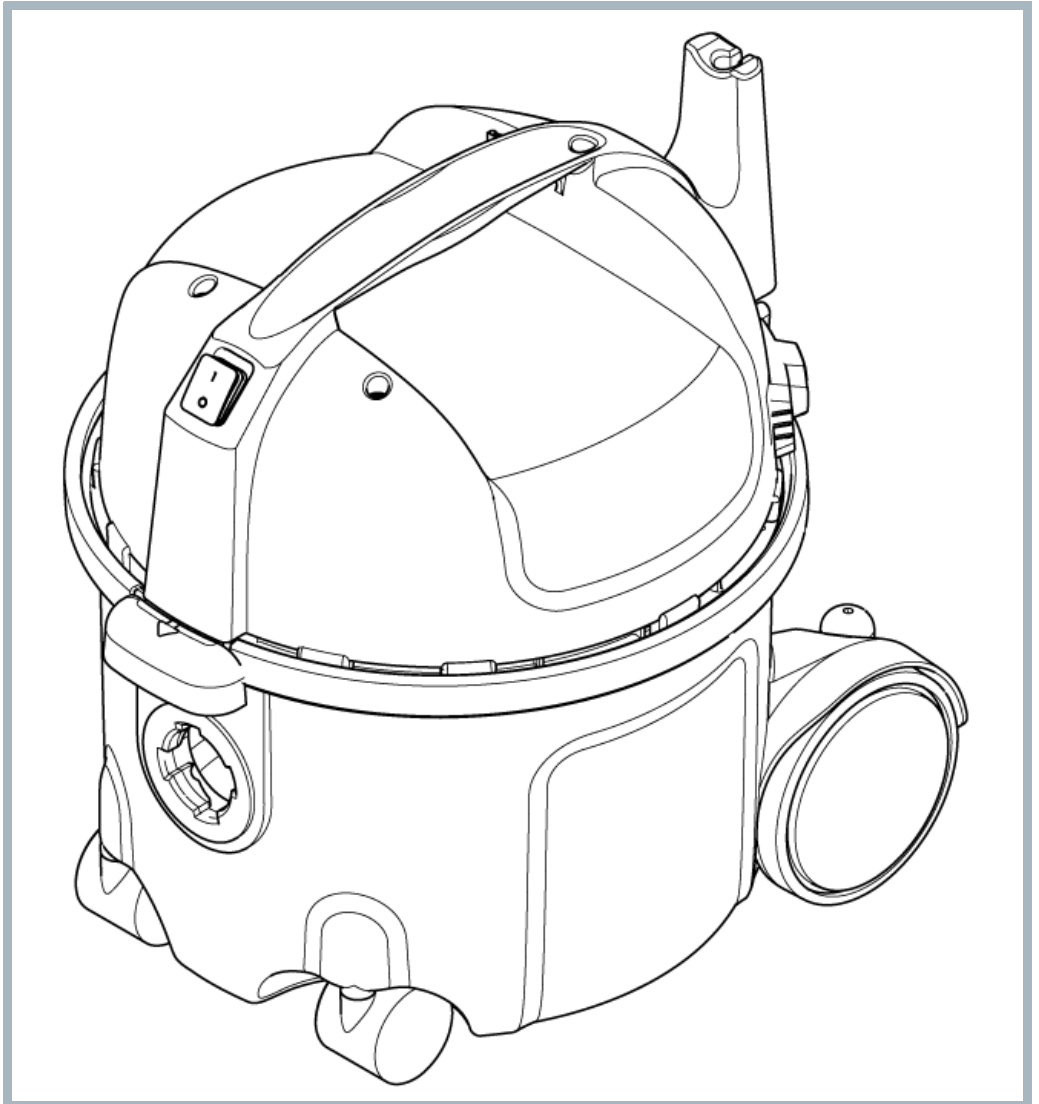


VP300 HEPA

Model:
VP300 HEPA



Part List English

28-07-2014

Table of Contents

VP300 HEPA

Summary VP300 HEPA	3
Summary VP300 HEPA (JP)	5
Accessories	7
RECOMMENDED SPARE PARTS	9

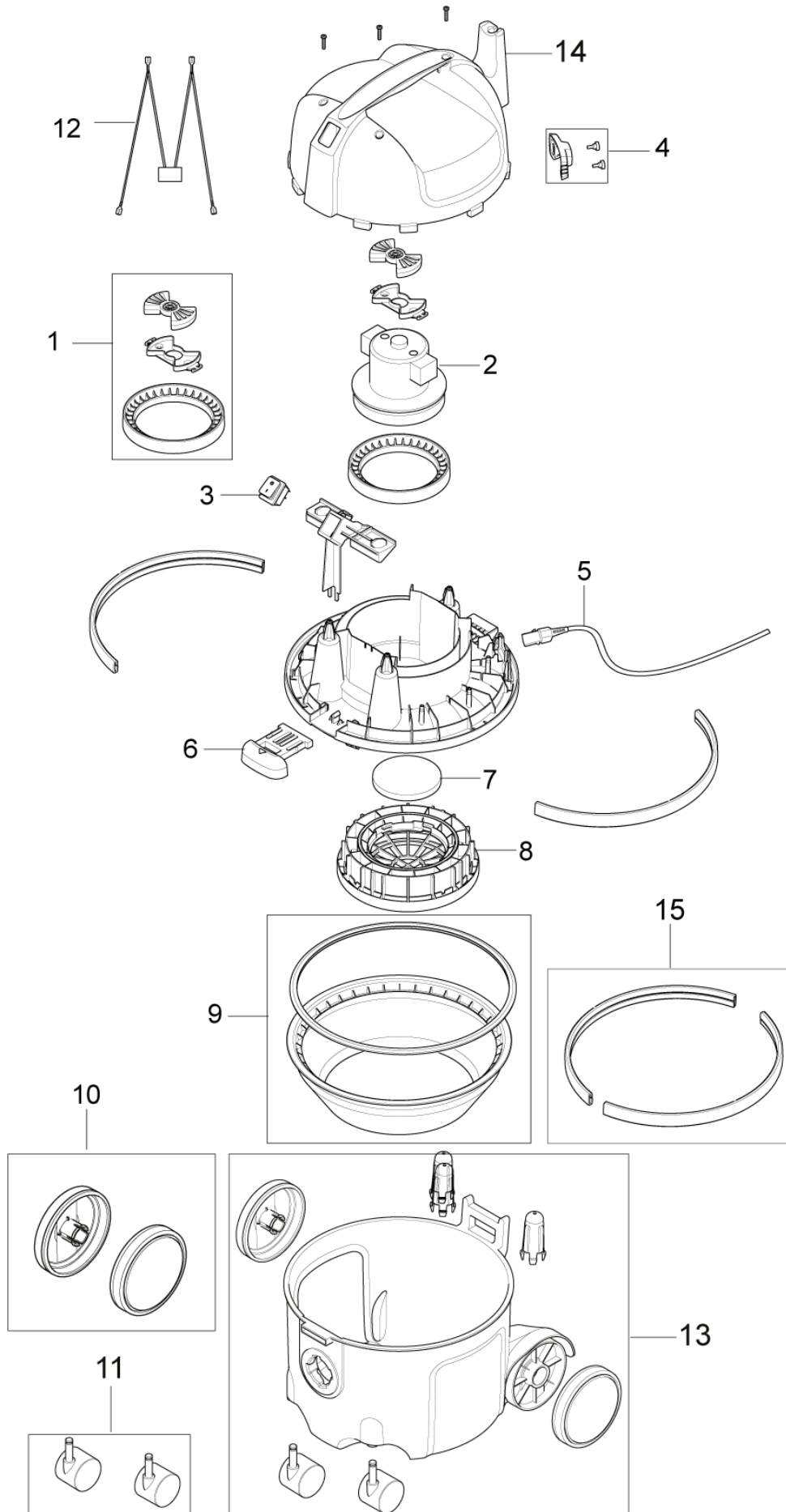
Summary VP300 HEPA

VP300 HEPA

28-07-2014

Part List ID
GD111004

3



Summary VP300 HEPA

VP300 HEPA

28-07-2014

Part List ID
GD111004

4

Pos	Part no.	Qty	Description	
0	107402839	1	BOX VC300 HEPA EU1	
0	147 1436 000	1	BOX GD111 & SALTIX 10	
1	147 0660 500	1	MOTOR SUSPENSION KIT GD910	
2	107402675	1	FAN UNIT 1200W TCO KIT	
3	140 9537 500	1	SWITCH TWO POLE 2 PCS	
4	107402674	1	CORD LOCK KIT	
5	107402676	1	DETACH CORD SET 10M ORANGE EU	
5	107402677	1	DETACH CORD SET 10M ORANGE UK	
5	107402678	1	DETACH CORD SET 10M ORG AUS/NZ	
5	107402901	1	DETACH CORD SET 15M ORANGE EU	
6	147 1409 500	1	LATCH	
7	147 0670 500	1	FILTER MOTOR KIT GD910	
8	107402902	1	HEPA FILTER BOXED	Accessory
9	147 1432 500	1	SACK FILTER CPL	Accessory
10	140 8458 500	1	WHEEL KIT 2 REAR WHEELS	
11	140 6422 500	1	LINK WHEELS KIT 2 WHEELS	
12	140 7620 530	1	SUPPRESSOR EU/UK/AU/NZ GWD 350-2/375-2	
13	107406056	1	CONTAINER VP300	
14	107409034	1	COVER TOP XTRA FOR VP300	top
15	107410399	1	BUMPER LIGHT GREY SET	

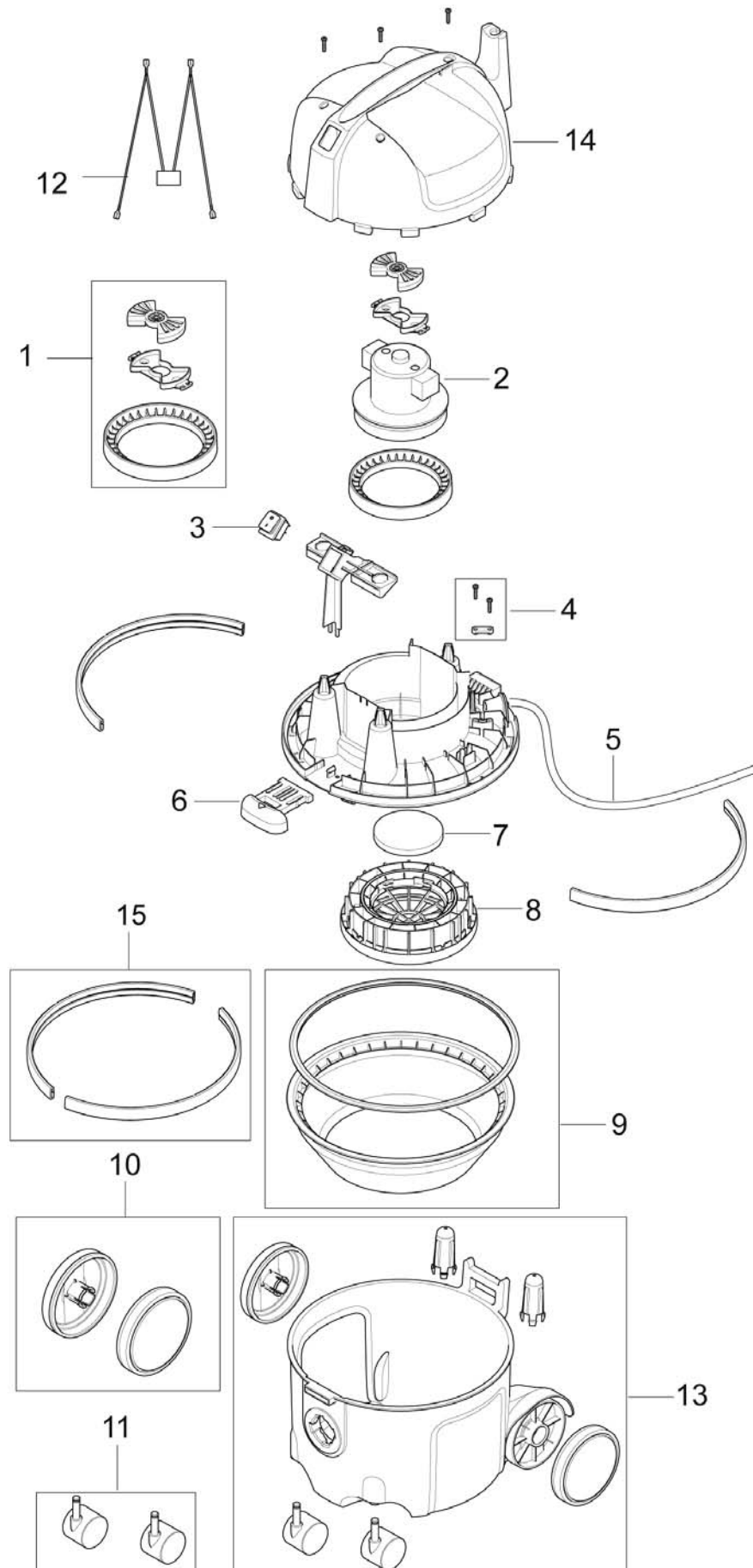
Summary VP300 HEPA (JP)

VP300 HEPA

28-07-2014

Part List ID
VP300H02

5



Summary VP300 HEPA (JP)

VP300 HEPA

28-07-2014

Part List ID
VP300H02

6

Pos	Part no.	Qty	Description
1	147 0660 500	1	MOTOR SUSPENSION KIT GD910
2	147 1168 500	1	FAN UNIT 100V NILFISK GD910/SALTIX 3
3	140 9537 500	1	SWITCH TWO POLE 2 PCS
4	140 6560 500	1	ANTI STRAIN CLIP
5	107403731	1	CORDSET 15.5 M JP
6	147 1409 500	1	LATCH
7	147 0670 500	1	FILTER MOTOR KIT GD910
8	107402902	1	HEPA FILTER BOXED
9	147 1432 500	1	SACK FILTER CPL
10	140 8458 500	1	WHEEL KIT 2 REAR WHEELS
11	140 6422 500	1	LINK WHEELS KIT 2 WHEELS
12	107408852	1	WIRE HARNESS AWG16 410MM
13	107406056	1	CONTAINER VP300
14	107408800	1	COVER TOP FOR VP300 KIT
15	107410399	1	BUMPER LIGHT GREY SET

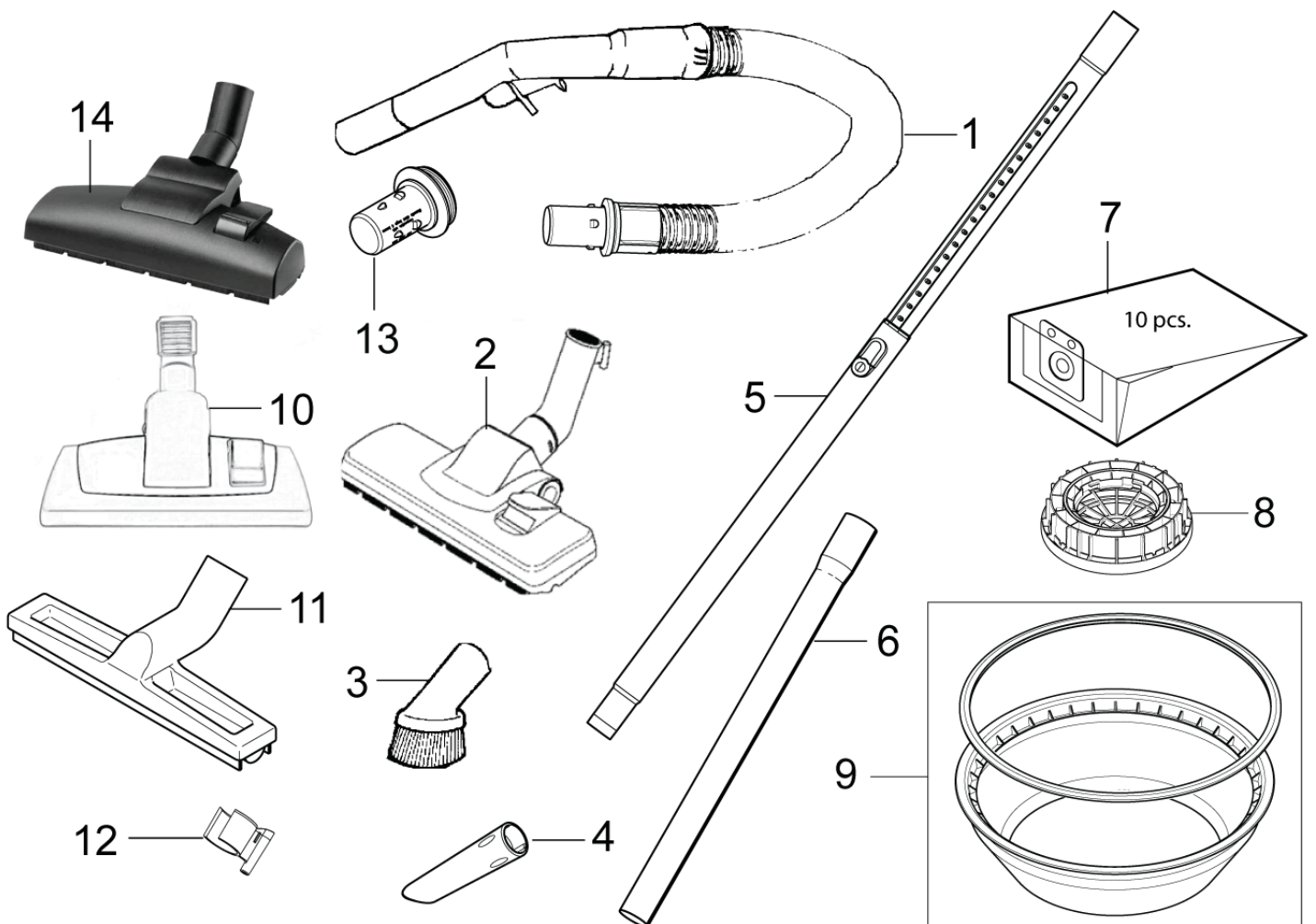
Accessories

VP300 HEPA

28-07-2014

Part List ID
VC300H06

7



Accessories

VP300 HEPA

28-07-2014

Part List ID
VC300H06

8

Pos	Part no.	Qty	Description
1	147 0765 500	1	HOSE CPL BLACK
2	107403122	1	COMB NOZZLE D252 KIT
3	140 8244 500	1	BRUSH NOZZLE KIT
4	147 0146 500	1	CREVICE NOZZLE D32 L153 B
5	107403804	1	TELESCOPIC TUBE GD111 X-tra, VP300 HEPA
6	011 6431 500	2	TUBE 32MM X 500MM LONG
6	140 8246 040	2	STEEL TUBE 32MM X 500MM
7	140 8618 000	1	DUST BAG 10L 10 PCS GD 2000 SERIES
8	107402902	1	HEPA FILTER BOXED VP300 HEPA
9	147 1432 500	1	SACK FILTER CPL
10	140 8492 520	1	COMBI NOZZLE VP300 HEPA
11	140 6700 540	1	HARD FLOOR NOZZLE
12	147 0585 500	1	PARKING CLIP SVART
13	107401199	1	20 PCS ADAPTER TO USE COMPETITOR BAGS & HOSES

RECOMMENDED SPARE PARTS

VP300 HEPA

28-07-2014

Part List ID
VC300H08

9

No Drawing For Part List

RECOMMENDED SPARE PARTS

VP300 HEPA

28-07-2014

Part List ID
VC300H08

10

Pos	Part no.	Qty	Description
0	107402674	1	CORD LOCK KIT
0	107402675	1	FAN UNIT 1200W TCO KIT
0	107402676	1	DETACH CORD SET 10M ORANGE EU
0	107402677	1	DETACH CORD SET 10M ORANGE UK
0	107402678	1	DETACH CORD SET 10M ORG AUS/NZ
0	107402901	1	DETACH CORD SET 15M ORANGE EU
0	140 6422 500	1	LINK WHEELS KIT 2 WHEELS
0	140 7620 530	1	SUPPRESSOR EU/UK/AU/NZ GWD 350-2/375-2
0	140 8458 500	1	WHEEL KIT 2 REAR WHEELS
0	140 9537 500	1	SWITCH TWO POLE 2 PCS
0	147 0660 500	1	MOTOR SUSPENSION KIT GD910
0	147 0670 500	1	FILTER MOTOR KIT GD910
0	147 1409 500	1	LATCH
0	147 1432 500	1	SACK FILTER CPL