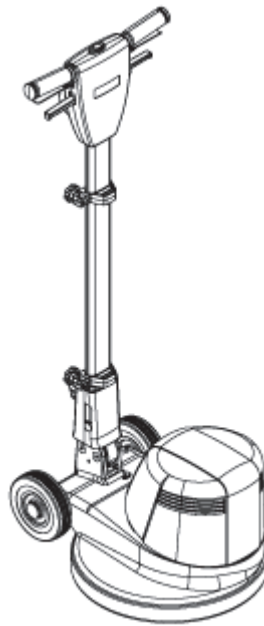


# SPINTEC 443 DS

---

Model:  
SPINTEC 443 DS  
SPINTEC 443 DS FR



Part List US-English

01-09-2012

**Nilfisk**  
**ALTO**  
works for you

[www.nilfisk-alto.com](http://www.nilfisk-alto.com)

Ersatzteile auf [www.gluesing.net](http://www.gluesing.net)

# Table of Contents

SPINTEC 443 DS

<b>Base system SPINTEC 443 SD</b>	<b>3</b>
<b>Handle system</b>	<b>5</b>
<b>Wiring and recommended spare parts</b>	<b>7</b>
<b>Brush selector guide</b>	<b>10</b>
<b>Accessories</b>	<b>12</b>
<b>Solution tank kit 10104A</b>	<b>14</b>
<b>Foam generator kit 11294A</b>	<b>16</b>
<b>Spray buff kit 11295A</b>	<b>18</b>
<b>Dust collection kit 56381571</b>	<b>20</b>

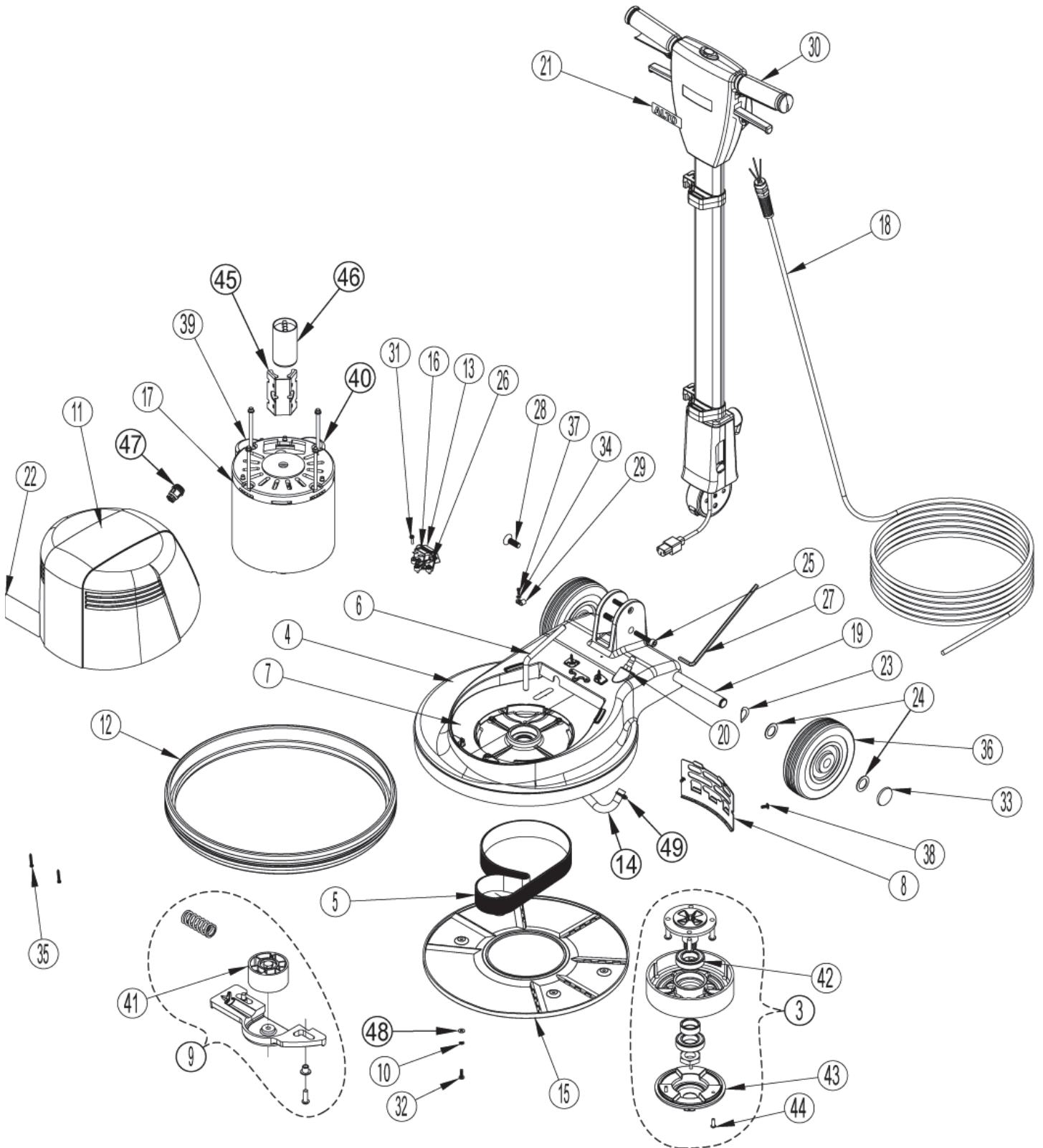
# Base system SPINTEC 443 SD

SPINTEC 443 DS

01-09-2012

Part List ID  
SPINTEC44306

3



# Base system SPINTEC 443 SD

SPINTEC 443 DS

01-09-2012

Part List ID  
SPIN I EC:44306

4

Pos	Part no.	Qty	Description	
3	56380089	1	SPINDLE ASM	
4	56380095	1	MAINFRAME NILFISK ALTO 443	
5	56380104	1	BELT POLY V 838 PJ16	
7	56381565	1	COOLING PLATE	
8	56381566	1	BACK COVER	
9	56381579	1	BELT TENSION ASM	
12	30272A	1	BUMPER	
17	40259A	1	MOTOR DUAL SPEED	
18	40249A	1	CORD POWER UK	UK
18	40268A	1	CORD POWER	
19	61956A	1	SHAFT WHEEL	
38	GT13054	2	SCREW PAN HEAD M5X12	
39	VF999848	1	RUN CAPACITOR 23F/500V	
40	GT17004	1	CAPACITOR	
41	56380090	1	FLAT IDLER ASM	
42	VF14061	1	BEARING 6006	
43	56380099	1	DRIVER	
44	56381538	1	SCR M5-.8X16 BTN HD SS	
45	56381562	1	SADDLE START SWITCH	
46	47378A	1	SWITCH MOTOR STARTING CLASSI	
47	40264A	1	SWITCH ROCKER ON-ON	
K1	11282A	2	WHEEL KIT	Pos. 23, 24, 33, 36
K2	11264A	1	DECAL KIT ALTO	Pos. 21, 22
K2	11289A	1	DECAL KIT NILFISK ALTO	Pos. 21, 22
K4	11288A	1	NILFISK ALTO DS MOTOR COVER KIT	Pos. 11, 35
K5	56382001	1	INSTALLATION TOOL AND HARDWARE KIT	Pos. 25, 27, 28, 29, 34, 37
K6	56380089	1	SPINDLE ASM	Pos. 3, 42, 43, 44
K7	11284A	1	SOLUTION FITTINGS KIT	Pos. 6, 14, 20, 49
K8	11267A	1	BOTTOM COVER KIT	Pos. 10, 15, 32
K9	11283A	1	INLET KIT	Pos. 13, 16, 26, 31
K10	56381579	1	BELT TENSION ASM	Pos. 9, 41

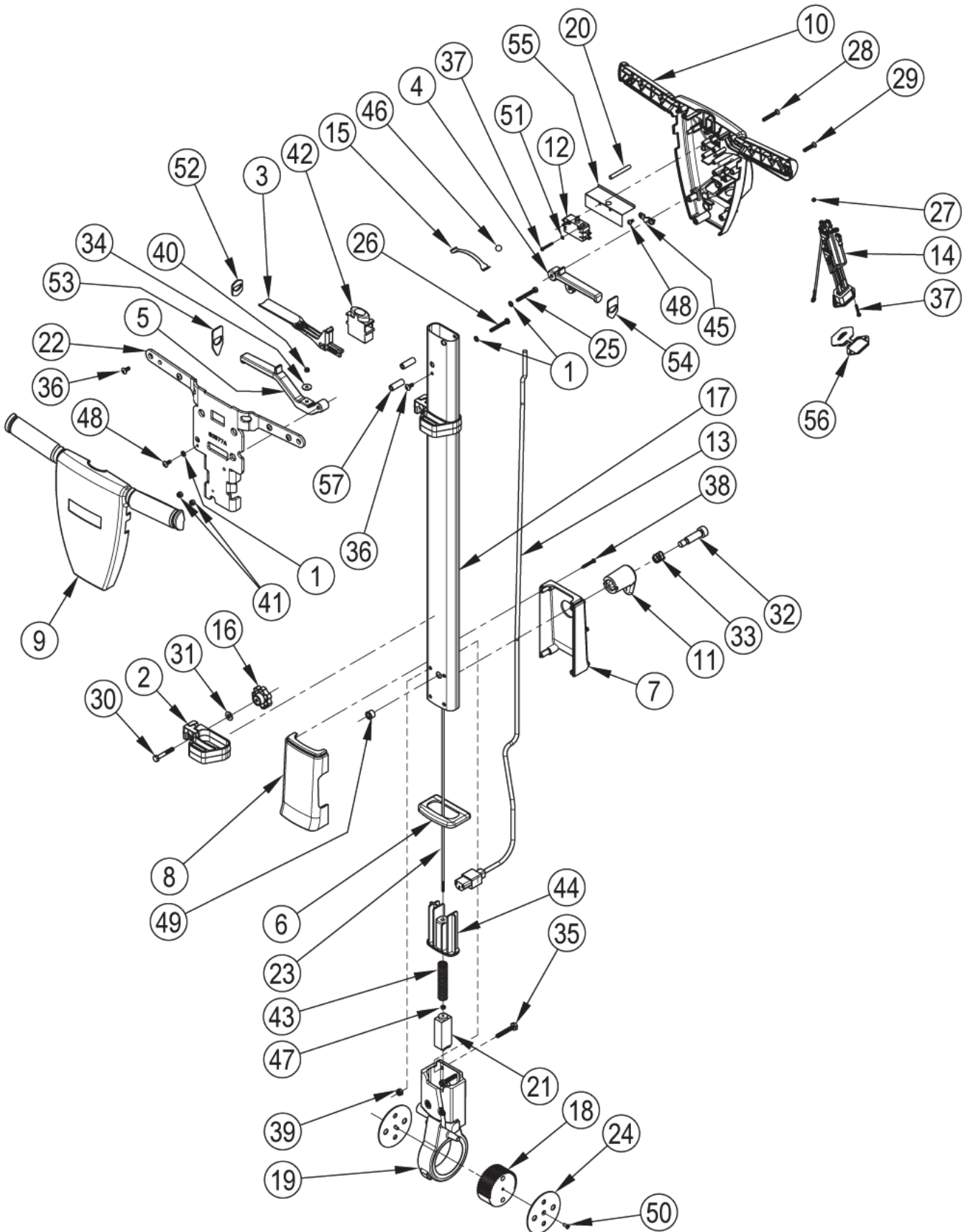
# Handle system

SPINTEC 443 DS

01-09-2012

Part List ID  
SPINTEC44308

5



Ersatzteile auf [www.gluesing.net](http://www.gluesing.net)

# Handle system

## SPINTEC 443 DS

01-09-2012

Part List ID  
SPIN I EC:44308

6

Pos	Part no.	Qty	Description	
12	40263A	1	SWITCH DPST	
13	40269A	1	INTERCONNECT CORD	
56	VF73708	1	WATERPROOF CAP	
K1	11269A	1	CORD WRAP KIT	Pos. 11, 12, 13, 32, 33
K2	11279A	1	HANDLE COVER KIT	Pos. 9, 10, 28, 29
K3	11273A	1	HANDLE SUPPORT KIT	Pos. 1, 22, 25, 26, 36, 41
K4	11274A	1	HANDLE SWITCH LEVER KIT	Pos. 3, 4, 5, 15, 20, 34, 37,40,42 45, 46, 48, 51,
K5	11286A	1	RELEASE SPRING AND ROD KIT	Pos. 23, 34, 40, 43, 47
K6	56381560	1	POLISHER GEAR SET KIT	Pos. 18, 19, 21, 24, 50
K7	56381561	1	POLISHER GEAR HOUSING AND TUBE KIT	Pos. 17, 19, 35, 39, 44, 57
K8	11270A	1	OUTLET KIT	Pos. 14, 27, 37
K9	11268A	2	MOUNT ACCESSORY KIT	Pos. 2, 16, 30, 31
K10	11271A	1	REAR AND FRONT COVER KIT	Pos. 6, 7, 8, 38, 49

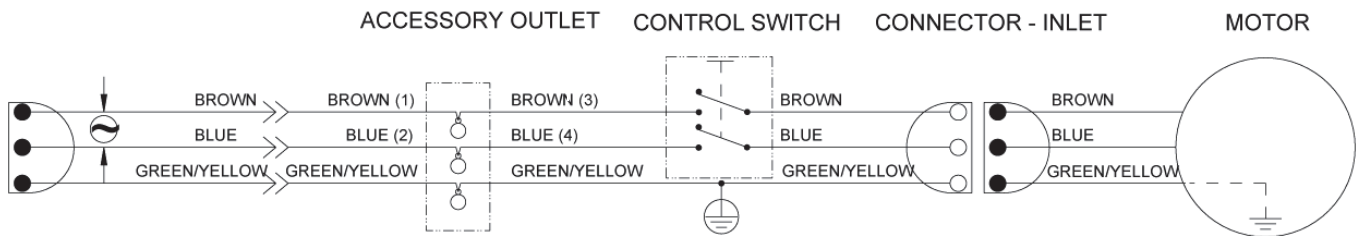
# Wiring and recommended spare parts

SPINTEC 443 DS

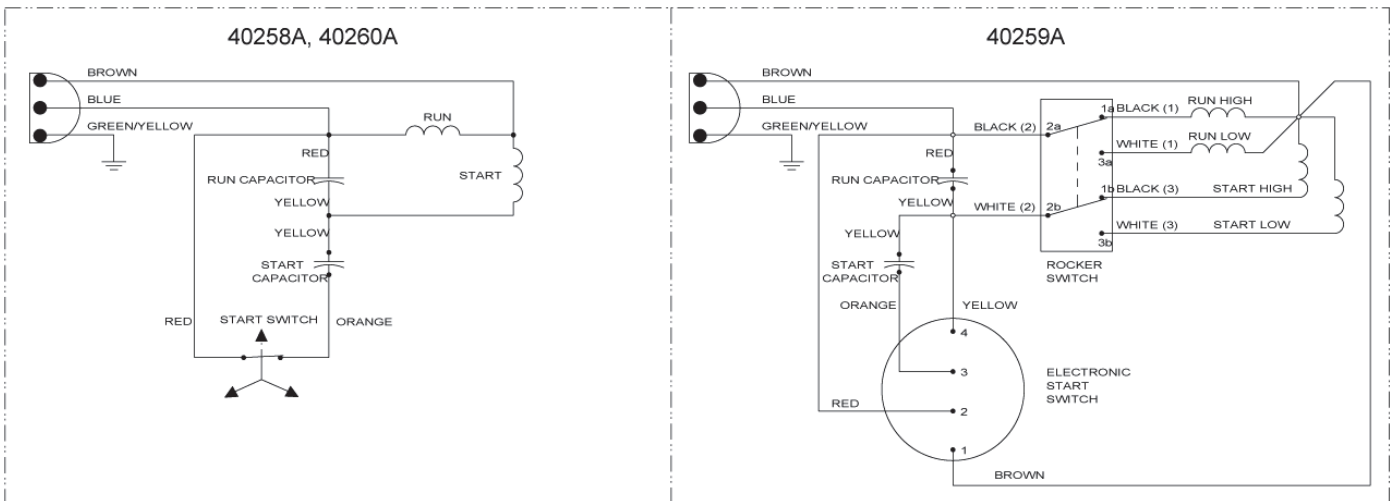
01-09-2012

Part List ID  
SPINTEC44310

7



## MOTOR DIAGRAM



# Wiring and recommended spare parts

SPINTEC 443 DS

01-09-2012

Part List ID  
SPIN I EC:44310

8

Pos	Part no.	Qty	Description	
B	11264A	1	DECAL KIT ALTO	EM
B	11265A	1	NILFISK ALTO MOTOR COVER KIT	EM
B	11267A	1	BOTTOM COVER KIT	EM
B	11282A	1	WHEEL KIT	EM
B	11283A	1	INLET KIT	EM
B	11284A	1	SOLUTION FITTINGS KIT	EM
B	11288A	1	NILFISK ALTO DS MOTOR COVER KIT	EM
B	11289A	1	DECAL KIT NILFISK ALTO	EM
B	30272A	1	BUMPER	OM
B	40258A	1	MOTOR LOW SPEED	EM
B	40259A	1	MOTOR DUAL SPEED	EM
B	40260A	1	MOTOR HIGH SPEED	EM
B	40264A	1	SWITCH ROCKER ON-ON	OM
B	47378A	1	SWITCH MOTOR STARTING CLASSI	OM
B	56380089	1	SPINDLE ASM	EM
B	56380090	1	FLAT IDLER ASM	OM
B	56380095	1	MAINFRAME NILFISK ALTO 443	EM
B	56380096	1	MAINFRAME NILFISK ALTO 443 H	EM
B	56380099	1	DRIVER	OM
B	56380104	1	BELT POLY V 838 PJ16	OM
B	56381562	1	SADDLE START SWITCH	EM
B	56381566	1	BACK COVER	EM
B	56381579	1	BELT TENSION ASM	EM
B	56381579	1	BELT TENSION ASM	EM
B	61956A	1	SHAFT WHEEL	EM
B	GT17003	1	CAPACITOR	OM, SPINTEC 443 H
B	GT17004	1	CAPACITOR	OM, SPINTEC 443 DS
B	VF14061	1	BEARING 6006	OM
B	VF32109	1	RUNNING CAPACITOR 20UF/600V	OM
B	VF999848	1	RUN CAPACITOR 23F/500V	OM
B	VF999849	1	START CAPACITOR 100F/300V	OM, SPINTEC 443
F	40249A	1	CORD POWER UK	EM
F	40268A	1	CORD POWER	EM
H	11268A	1	MOUNT ACCESSORY KIT	OM
H	11269A	1	CORD WRAP KIT	EM
H	11270A	1	OUTLET KIT	EM
H	11271A	1	REAR AND FRONT COVER KIT	EM
H	11273A	1	HANDLE SUPPORT KIT	EM
H	11274A	1	HANDLE SWITCH LEVER KIT	OM
H	11279A	1	HANDLE COVER KIT	EM
H	11286A	1	RELEASE SPRING AND ROD KIT	EM
H	40263A	1	SWITCH DPST	OM

Pos. B = Base system, Pos. F = Final assembly, Pos. H = Handle assembly

Commet - Class:

W = Normal Wear

OM = Ordinary Maintenance

Ersatzteile auf [www.gluesing.net](http://www.gluesing.net)



# Wiring and recommended spare parts

SPINTEC 443 DS

01-09-2012

Part List ID  
SPIN I EC:44310

9

Pos	Part no.	Qty	Description	
H	40269A	1	INTERCONNECT CORD	EM
H	56381560	1	POLISHER GEAR SET KIT	EM
H	56381561	1	POLISHER GEAR HOUSING AND TUBE KIT	EM
H	VF73708	1	WATERPROOF CAP	EM

Pos. B = Base system, Pos. F = Final assembly, Pos. H = Handle assembly

Commet - Class:

W = Normal Wear

OM = Ordinary Maintenance

Ersatzteile auf [www.gluesing.net](http://www.gluesing.net)

# Brush selector guide

SPINTEC 443 DS

01-09-2012

Part List ID  
SPINTEC44312

10

17" (430 mm) Brush Selection Chart (RECOMMENDED)

Part No.	Description	Filament	Trim
11296A	Polishing	Union Mix (50% PALMYRA 50% White Tampico)	Straight
11297A	Carpet	Ø .30mm PA 66 Natural	Straight
11298A	Light-Medium Cleaning	Ø .35mm PP Grey	Straight
11299A	Medium-Heavy Cleaning	Ø .50mm PP Black	Straight
11310A	Heavy Cleaning/ Stripping	50/80/30 Silicon Carbide	Irregular

Description	P/N	56380065 Spintec 443	56380066 Spintec 443 UK	56380068 Spintec 443 H	56380069 Spintec 443 H UK	56380070 Spintec 443 DS	56380071 Spintec 443 DS UK
Polishing Brush	11296A			X	X	X	X
Carpet Brush	11297A	X	X				
Light-Medium Cleaning Brush	11298A	X	X			X	X
Medium Cleaning Brush	11299A	X	X			X	X
Heavy Cleaning/Stripping Brush	11310A	X	X			X	X
Low Speed Pad Driver	11315A	X	X			X	X
Flex Pad Driver	11316A	X	X	X	X	X	X
Flex Pad Driver W/Foam	56381578	X	X	X	X	X	X
BLACK 406mm PAD 5 PK		X	X			X	X
BROWN 406mm PAD 5 PK		X	X			X	X
GREEN 406mm PAD 5 PK		X	X			X	X
BLUE 406mm PAD 5 PK		X	X			X	X
RED 406mm PAD 5 PK		X	X	X	X	X	X
WHITE 406mm PAD 5 PK		X	X	X	X	X	X

**Black** – Stripping – For long lasting, heavy duty stripping.

**Brown** – Stripping – For fast, uniform stripping, wet or dry.

**Green** – Scrubbing – For wet, heavy duty scrubbing.

**Blue** – Scrubbing – For wet, medium duty scrubbing.

**Red** – Buffing – For dry buffing, spray buffing or light duty scrubbing.

**White** – Polishing – For dry polishing or with the water mist to ensure high gloss.

# Brush selector guide

SPINTEC 443 DS

01-09-2012

Part List ID  
SPIN I EC:44312

11

Pos	Part no.	Qty	Description
1	11296A	1	POLISHING BRUSH 430MM
2	11297A	1	CARPET BRUSH 430MM
3	11298A	1	LIGHT-MEDIUM CLEANING BRUSH 430MM
4	11299A	1	MEDIUM-HEAVY CLEANING BRUSH 430MM
5	11310A	1	HEAVY CLEANING STRIPPING BRUSH 430MM
10	11315A	1	LOW SPEED PAD DRIVER
11	11316A	1	FLEXIBLE PAD DRIVER 430MM
12	56381578	1	FLEXI PAD DRIVER W FOAM
20		1	PAD 16 406MM BLACK 5PCS
21		1	PAD 16 406MM GREEN 5PCS
22		1	PAD 16 406MM WHITE 5PCS
23		1	PAD 16 406MM RED 5PCS
24		1	PAD 16 406MM BLUE 5PCS
25		1	PAD 16 406MM BROWN 5PCS

# Accessories

SPINTEC 443 DS

01-09-2012

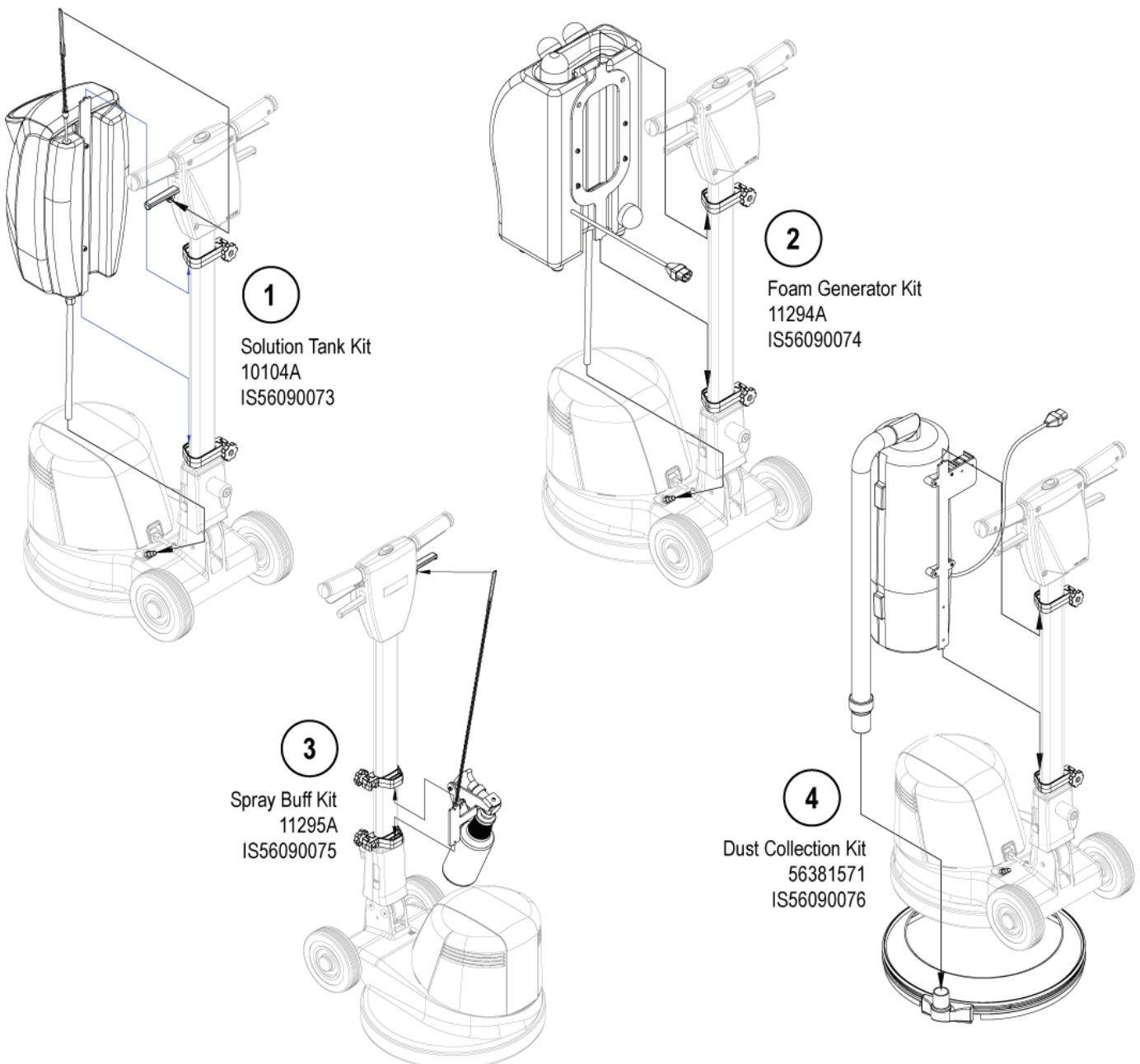
Part List ID  
SPINTEC44316

12

Description	P/N	56380065 Spintec 443	56380066 Spintec 443 UK	56380068 Spintec 443 H	56380069 Spintec 443 H UK	56380070 Spintec 443 DS	56380071 Spintec 443 DS UK
Literature Pack	56044439	X	X	X	X	X	X
(1) Solution Tank Kit*	10104A	X	X			X	X
(2) Foam Generator Kit*	11294A	X	X				
(3) Spray Buff Kit*	11295A	X	X	X	X	X	X
(4) Dust Collection Kit*	56381571			X	X	X	X

\* = Optional, Not Included

**NOTE** = Replacement parts for the accessory kits listed above (1-4) can be found on each kit's associated instruction sheet.



Ersatzteile auf [www.gluesing.net](http://www.gluesing.net)

# Accessories

SPINTEC 443 DS

01-09-2012

Part List ID  
SPIN I EC:44316

13

Pos	Part no.	Qty	Description
1	10104A	1	SOLUTION TANK ACC KIT
3	11295A	1	SPRAY BUFF KIT
4	56381571	1	DUST COLLECTION KIT

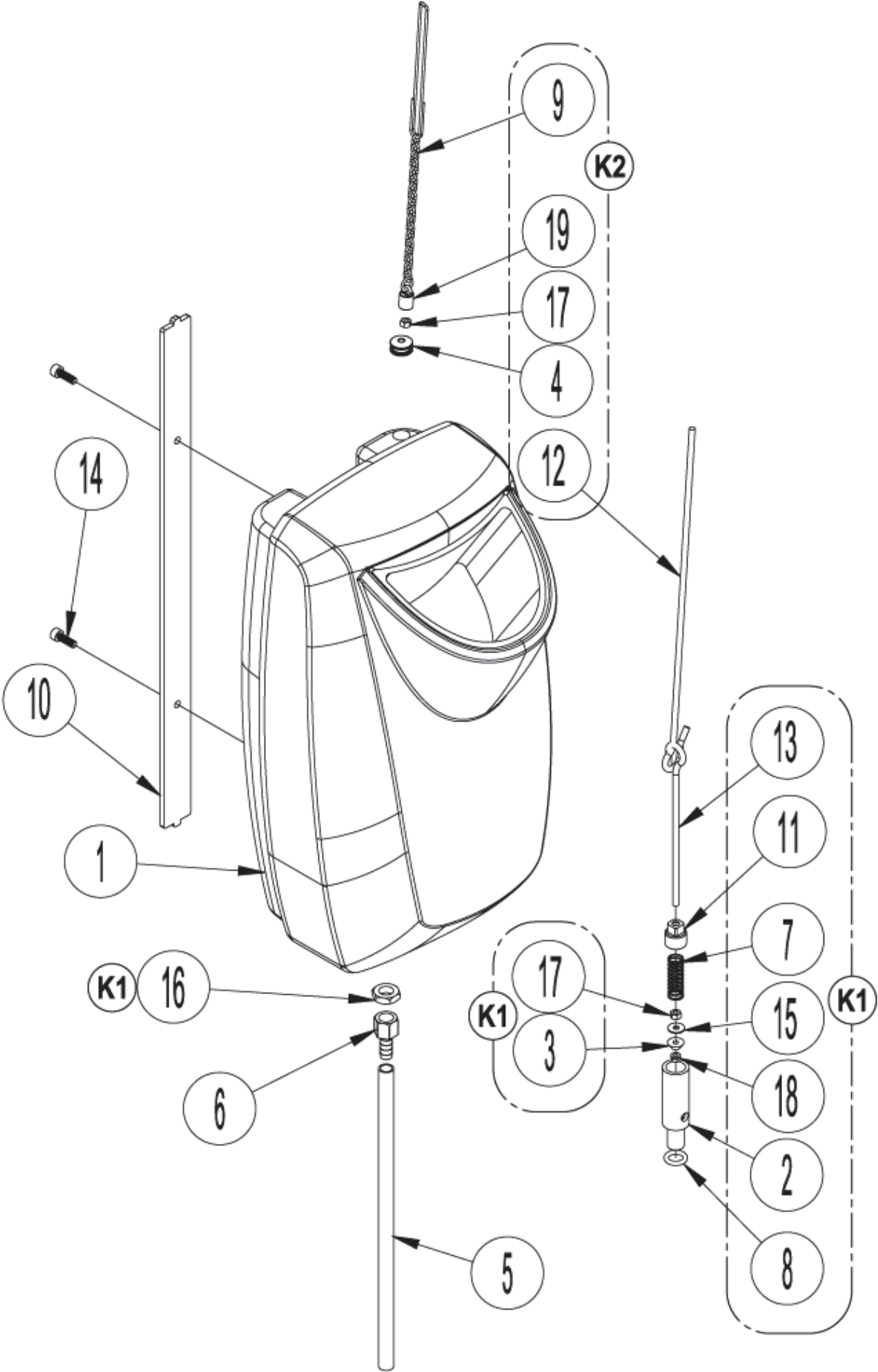
# Solution tank kit 10104A

SPINTEC 443 DS

01-09-2012

Part List ID  
56090073

14



# Solution tank kit 10104A

SPINTEC 443 DS

01-09-2012

Part List ID  
56090073

15

Pos	Part no.	Qty	Description
0	10104A	1	SOLUTION TANK ACC KIT
1	30249A	1	TANK SOLUTION
3	VF40134	1	SEAL RUBBER
5	30869A	1	TUBING VINYL
10	60023A	1	BRACKET MOUNTING SOLUTION TANK
14	VF13498	2	SCREW M6X20
K1	11278A	1	SOLUTION VALVE ASSEMBLY
K2	11277A	1	SOLUTION TANK UPPER HARDWARE KIT

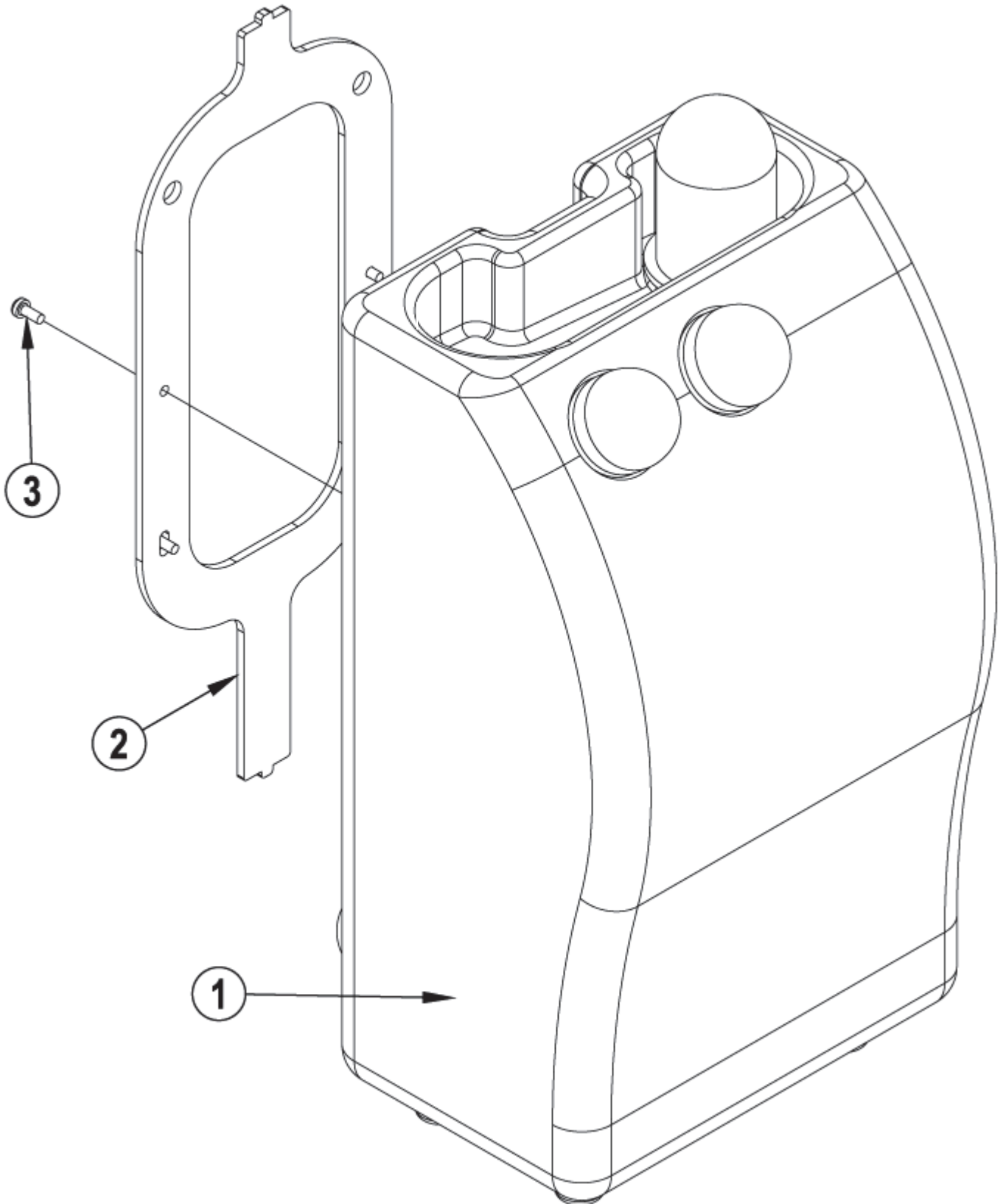
# Foam generator kit 11294A

SPINTEC 443 DS

01-09-2012

Part List ID  
56090074

16





# Foam generator kit 11294A

SPINTEC 443 DS

01-09-2012

Part List ID  
56090074

17

Pos	Part no.	Qty	Description
2	60459A	1	BRACKET FOAM GENERATOR MOUNTING
3	GT13054	1	SCREW PAN HEAD M5X12

# Spray buff kit 11295A

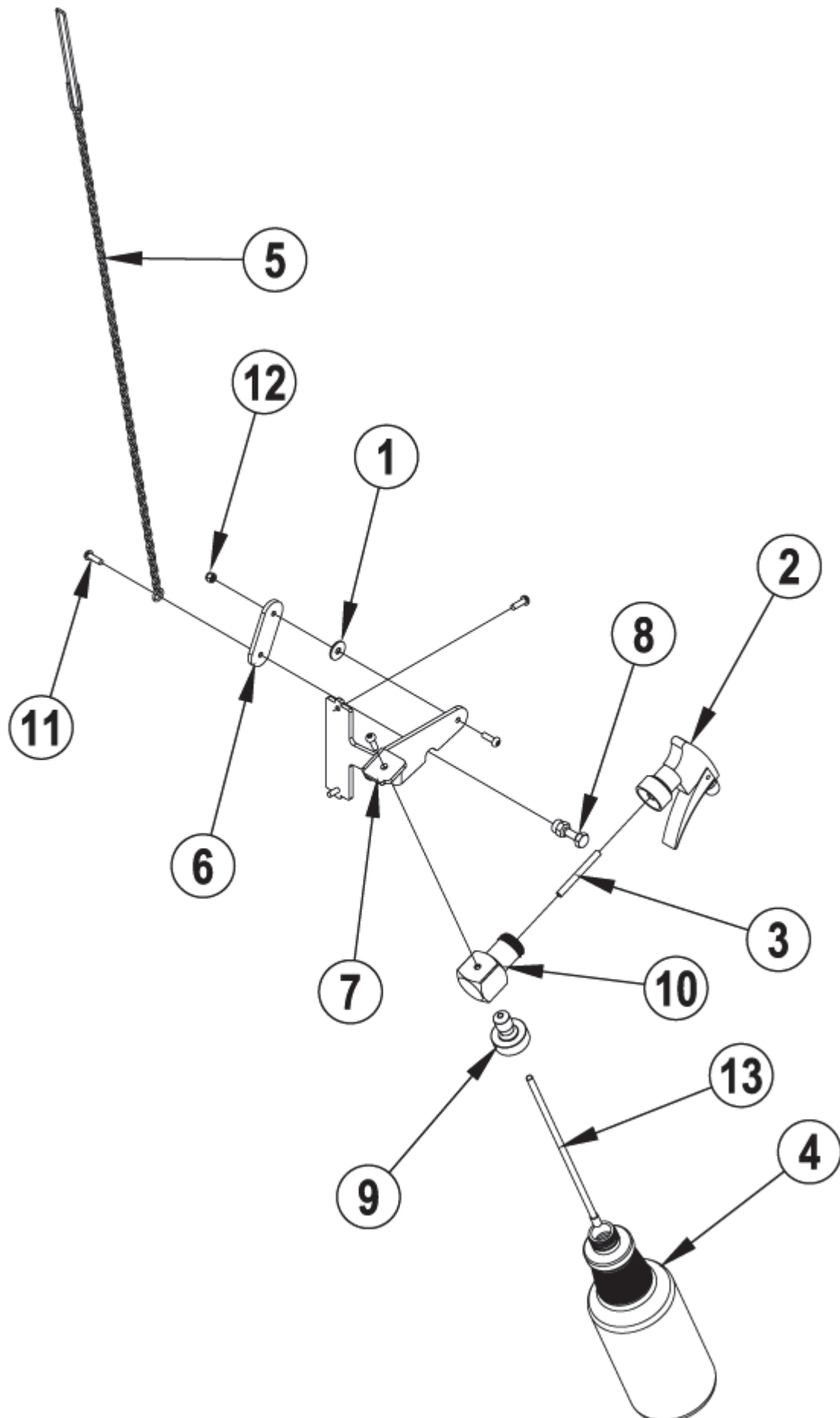
SPINTEC 443 DS

01-09-2012

Part List ID

56090075

18



Ersatzteile auf [www.gluesing.net](http://www.gluesing.net)

# Spray buff kit 11295A

SPINTEC 443 DS

01-09-2012

Part List ID  
56090075

19

Pos	Part no.	Qty	Description
0	11295A	1	SPRAY BUFF KIT
1		1	NOTE COMMENT Washerfl t.750x.250x.062Nylon
2		1	NOTE COMMENT Spray Buff Pump
3		1	NOTE COMMENT Tube
4		1	NOTE COMMENT Bottle Plastic Quart Carafe
5		1	NOTE COMMENT Chain Asm
6		1	NOTE COMMENT Link Spray Buff
7		1	NOTE COMMENT Bracket Spray Buff
8		1	NOTE COMMENT Actuator
9		1	NOTE COMMENT Mount
10		1	NOTE COMMENT Adaptor
11		5	SCREW M5 X 16
12		1	NOTE COMMENT Nut M5 Ss Nylon Insert
13		1	NOTE COMMENT Tube Dip
K1	56382005	1	SPRAY BUFF REPAIR KIT Includes pos. 2,3,4,5,8,11,13

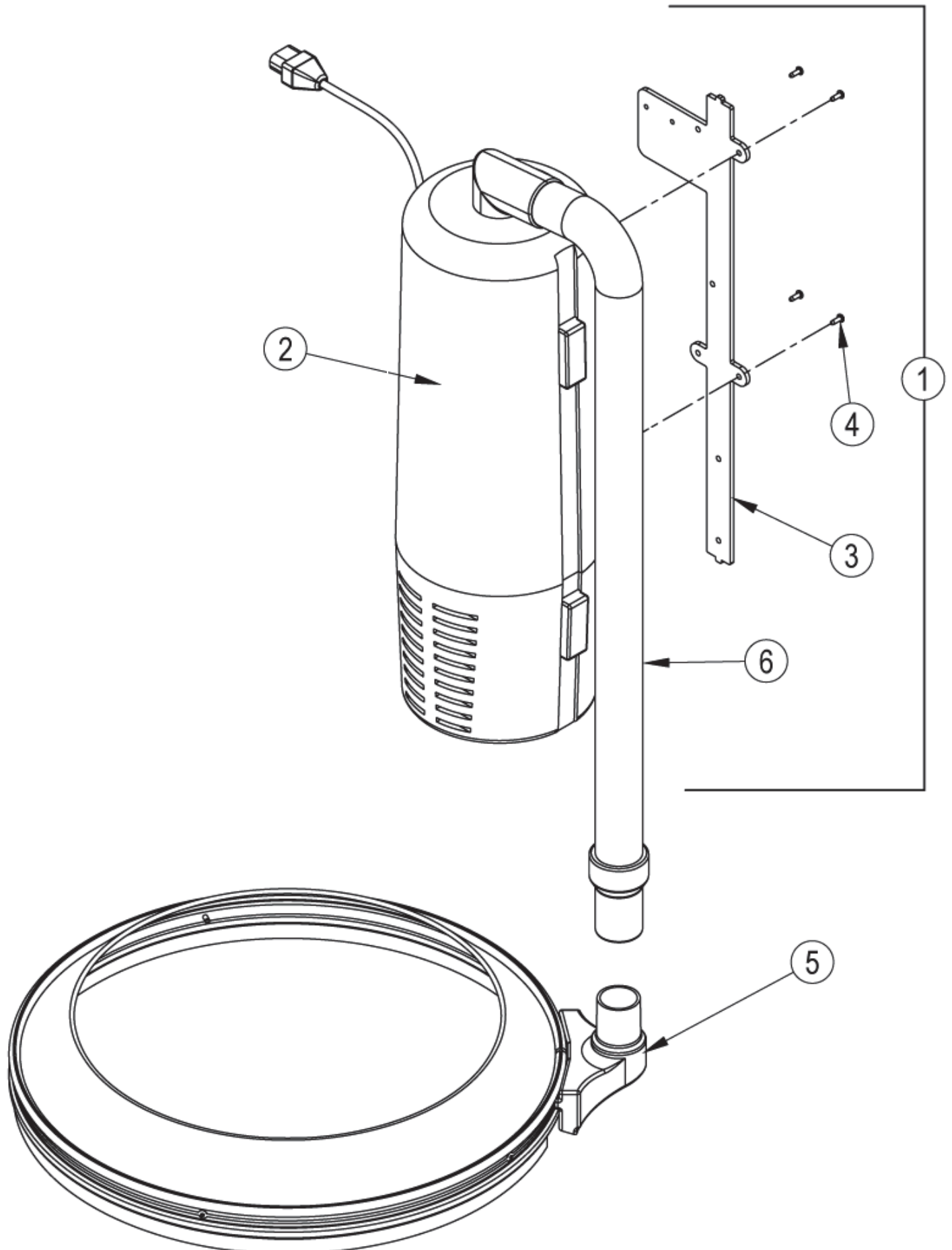
# Dust collection kit 56381571

SPINTEC 443 DS

01-09-2012

Part List ID  
56090076

20



Ersatzteile auf [www.gluesing.net](http://www.gluesing.net)

# Dust collection kit 56381571

SPINTEC 443 DS

01-09-2012

Part List ID  
56090076

21

Pos	Part no.	Qty	Description
0	56381571	1	DUST COLLECTION KIT
1		1	NOTE COMMENT Dust Control Assy NOTE 1
2		1	NOTE COMMENT Vacuum Assembly
3		1	NOTE COMMENT Bracket
4		4	NOTE COMMENT Screw M4-1.79 x 20mm
5	10394A	1	DUST SKIRT ASM
6	147 1237 500	1	HOSE CPL.L1250
NI	147 1098 500	1	DUST BAG KIT 5L 5-P

NOTE 1: Refer to the GD 5, GD 10, GD 5 Battery parts list for Dust Control  
Assy replacement parts.

Ersatzteile auf [www.gluesing.net](http://www.gluesing.net)