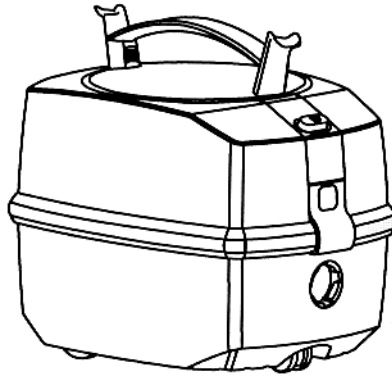
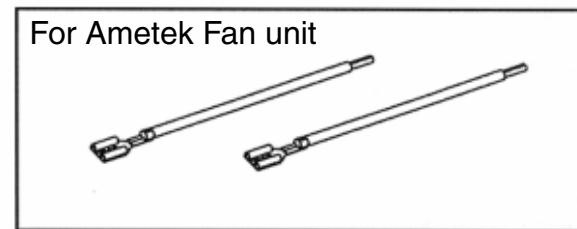
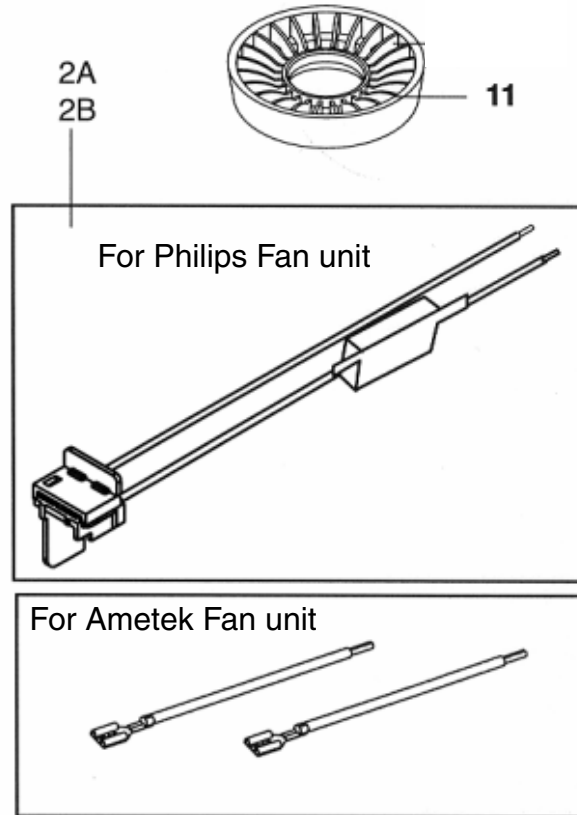
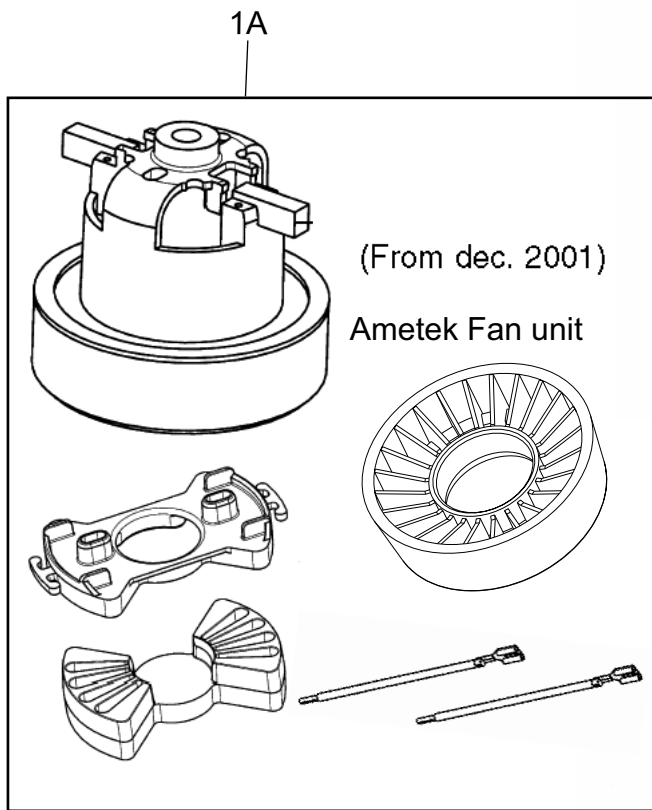
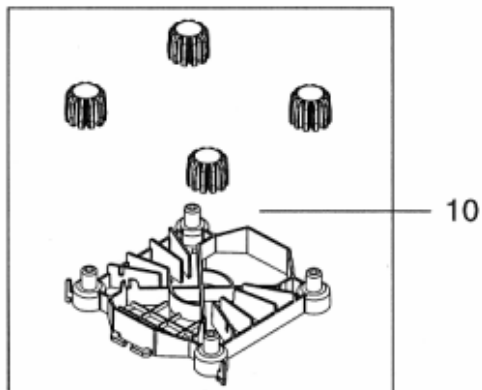


**01-11****TABLE OF CONTENTS SERVICE KIT****BOOK B****04-04****GD 1005/1010, GDS 1010 AND HDS 1005/1010****B****2.3.3****1**

<u>DESCRIPTION</u>	<u>PLAN</u>
Motors, internal wires and cords	B - 2.3.3 - 2
Container upper parts	B - 2.3.3 - 4
Electrical switch units	B - 2.3.3 - 6
Filter and HEPA filter	B - 2.3.3 - 8
Container bottom parts	B - 2.3.3 - 10
Nozzles, tubes, hoses and dust bag	B - 2.3.3 - 12
NilfiskMop	B - 2.3.3 - 14
Nozzles, special	B - 2.3.3 - 16



For Philips Fan unit



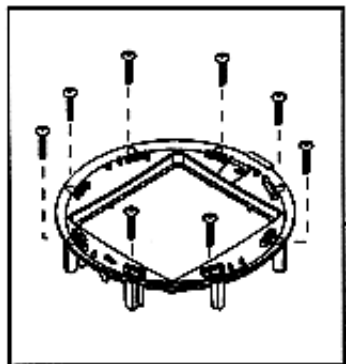
	Voltage	Plug type	
Europa	250		
UK	250		
AUS/NZ	250		
CH	-		
USA/Japan	120		
Italy	250		

<b>04-04</b>	<b>MOTOR SERVICE KIT</b>	<b>BOOK B</b>		
<b>07-10</b>	<b>MOTOR AND CORD TYPES, ALL MODELS</b>	<b>B</b>	<b>2.3.3</b>	<b>3</b>

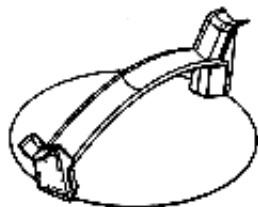
Item	Ref.No.	Qty.	Description	Note	EAN code 5715492+
1A	>>22352200		Motor fan unit, 230V 1200W	(Ametek)	+011094
	>>22352201		Motor fan unit, 110-120V 1200W	(Ametek)	+017744
2A	12117900		Internal wire kit with thermo switch and connector for GDS 1010, HDS 1005/1010 for Philips motor/fan unit	Mat.: PVC and copper, PP	
2B	12118000		Internal wire kit with thermo switch and connector for GD 1005, GD 1010 for Philips motor/fan unit	Mat.: PVC and copper, PP	
2C	22388400		Internal wire kit for Ametek motor/fan unit		+0177551
3	12003801	1	Cord, EU version Cord length=15m	Mat.: PVC, copper Colour: Grey, RAL 7001	
	82003815	1	Cord, EU version, Cord length=15m	Colour: Orange for Russia	
	12003802	1	Cord, UK version Cord length=15m	Colour: Grey, RAL 7001	
	12003803	1	Cord, Australia, New Zealand Cord length=15m		
	12003804	1	Cord, Switzerland Cord length=15m		
	12003805	1	Cord, US, Canada Cord length=15m		
	12003806	1	Cord without pin plug Cord length=15m		
	12003807	1	Cord, Italy Cord length=15m		
	12003809	1	US, AWG 16 Cord length=15m		+011445
	12222501	1	Cord EU version Cord length = 10 m		+008056
	12222503	1	Cord UK version Cord length = 10 m		+008063
	12222506	1	Cord, Australia, New Zealand Cord length = 10 m		+008070
	12222507	1	Cord, Switzerland Cord length = 10 m		+008087
10	22231100	1	Motor grommets and frame, Philips fan unit		+007691
11	22399800	1	Inlet gasket , Philips fan unit		+011487

>> Means: New or changed ref. number or/and changed/new specifications

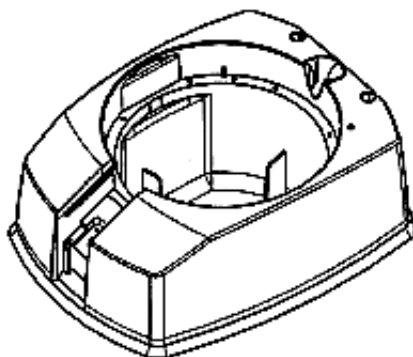
NOTE! The motor fan unit kit of 22352200 is altered. The gasket and motor fixation is now included in this kit.



10



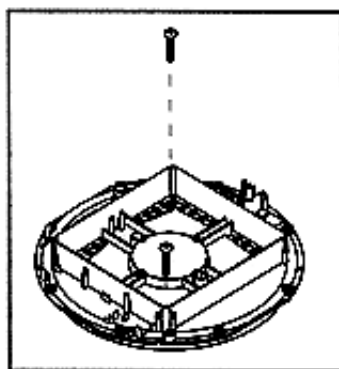
3



2



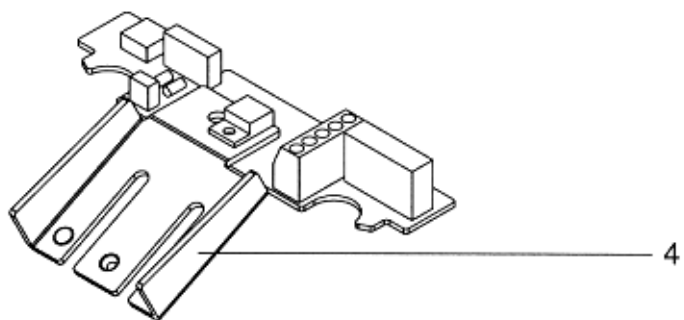
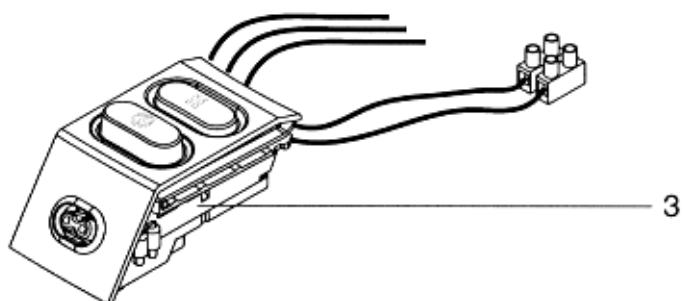
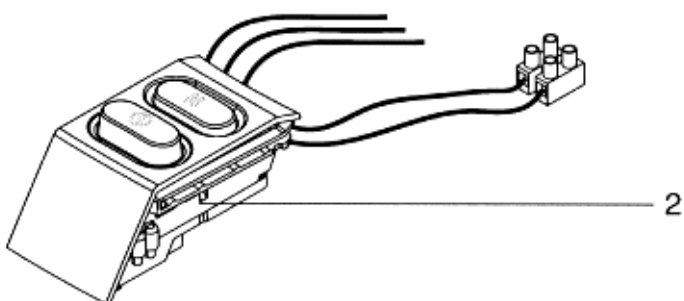
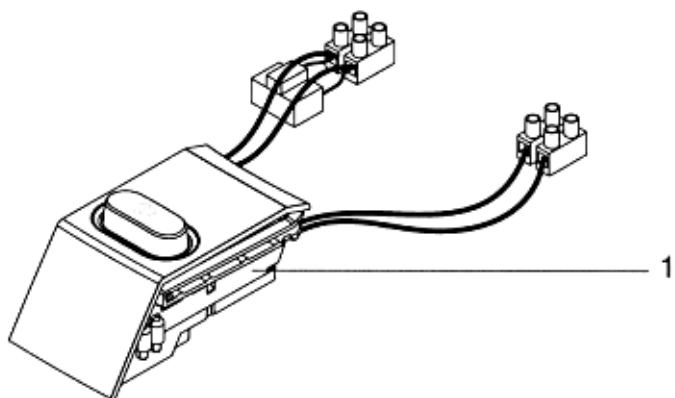
1



15

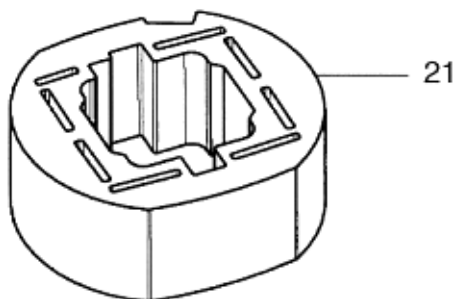
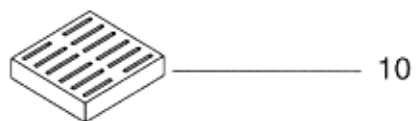
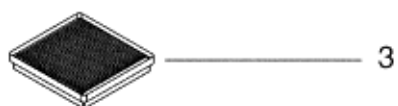
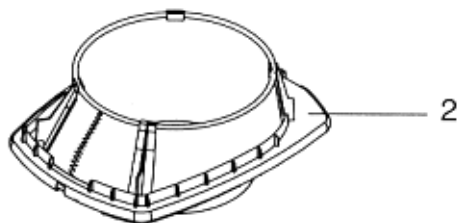
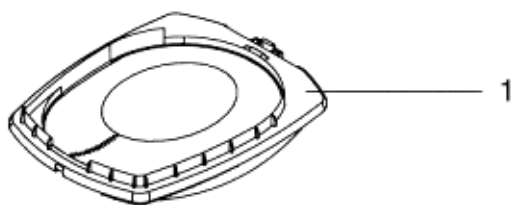
<b>01-11</b>	<b>CONTAINER SERVICE KIT</b>	<b>BOOK B</b>		
<b>02-03</b>	<b>UPPER PARTS, ALL MODELS</b>	<b>B</b>	<b>2.3.3</b>	<b>5</b>

<b>Item</b>	<b>Ref.No.</b>	<b>Qty.</b>	<b>Description</b>	<b>Note</b>	<b>EAN code 5715492+</b>
1	12004300	1	Lock, assembly	Mat.: PC and steel Colour: Grey, RAL 7001, RAL 7016	
2	12010700	1	Upper part	Mat.: ABS Colour: Grey, RAL 7001	+023455
3	12001200	1	Handle cover, with rubber horn	Mat.: ABS Colour: Grey, RAL 7001	
10	22231000	1	Top cover	Mat.: ABS	+007684
15	22299601	1	Motor cover	Mat.: PPO	+017843
	22231001	1	Motor cover	Mat.: PPO	



<b>01-11</b>	<b>ELECTRIC SWITCHES SERVICE KIT</b>	<b>BOOK B</b>		
<b>04-04</b>	<b>ELECTRIC OPERATING SWITCH UNITS</b>	<b>B</b>	<b>2.3.3</b>	<b>7</b>

<b>Item</b>	<b>Ref.No.</b>	<b>Qty.</b>	<b>Description</b>	<b>Note</b>	<b>EAN code 5715492+</b>
1	12019610	1	Electrical unit, GD 1005, GD 1010		+009015
2	12019710	1	Electrical unit, GDS 1010		+008971
3	12019810	1	Electrical unit, GDS 1010		+008988
4	2 speed printed wiring board for Ametek & Philips motor/fan unit:				
	12010921		220-240V, 50Hz, 1200W		+017850
	12010922		110-1200V, 60Hz, 1000W		+017867
	12010924		100V, 50Hz, 1000W		+017874
	12010925		100V, 60Hz, 1000W		+017881

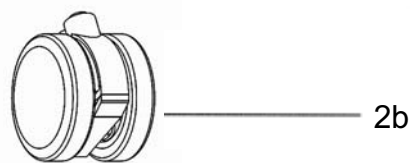
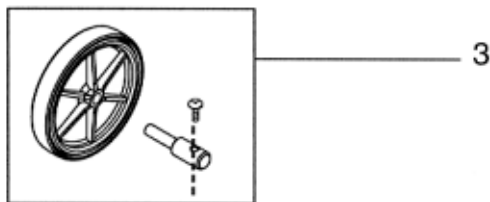
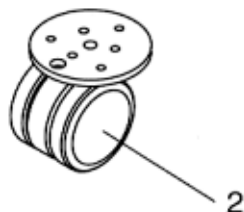
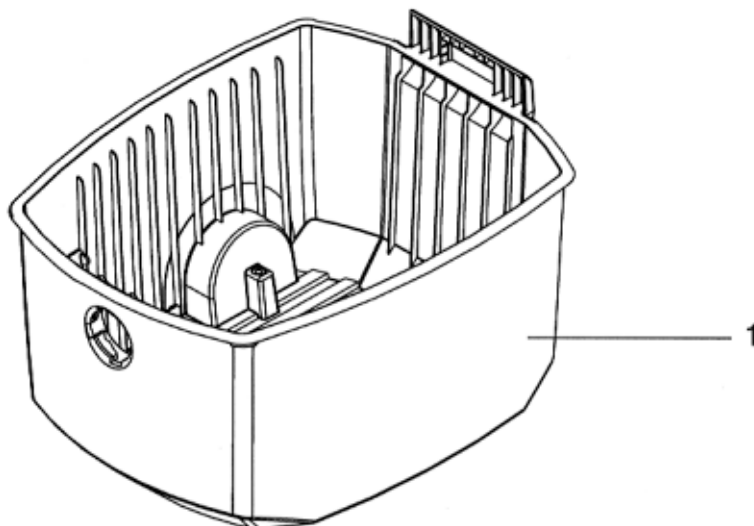




<b>01-11</b>	<b>FILTER SERVICE KIT</b>	<b>BOOK B</b>		
<b>04-04</b>	<b>FILTER, HEPA-FILTER AND SOUND SUPPRESSOR</b>	<b>B</b>	<b>2.3.3</b>	<b>9</b>

Item	Ref.No.	Qty.	Description	Note	EAN code 5715492+
1	12014103	1	Filter unit, HDS 1005, green	Area: 1200cm Mat.. Polyester	+013395
1	12014201	1	Filter unit, GD 1005, blue	Area: 1200cm Mat.. Polyester	+013388
2	12014301	1	Filter unit, GD 1010, GDS 1010	Area: 2300cm	+013418
3	12015500	1	HEPA-filter	Area: 4300cm	+003259
10	22230900	1	Sound suppressor		+007707
21	22299302	1	Sound suppressor lower for Ametek/and Philips motor/fan unit	Mat.: Polyester foam	+017898

**NOTE** Part number 22299301 sound suppressor for Philips fan unit is depleted.  
This suppressor is replaced by 22299302 sound suppressor for Philips and Ametek fan.



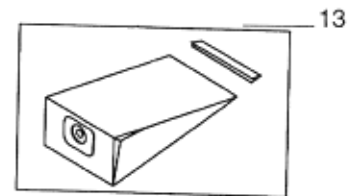
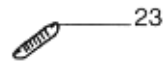
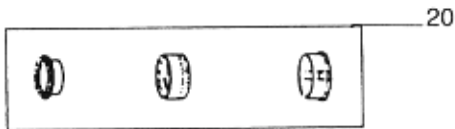
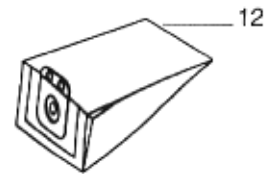
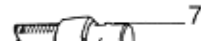
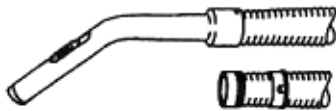
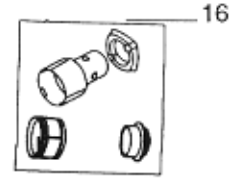
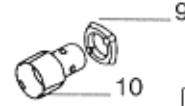
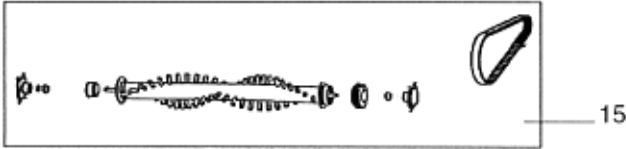
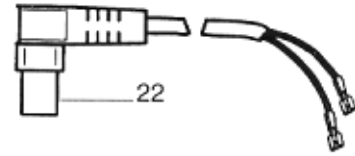
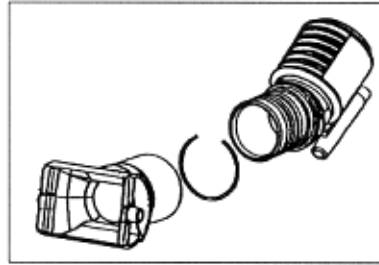
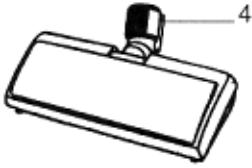
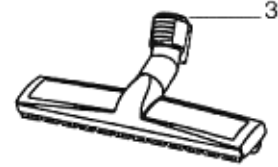
**06-01****CONTAINER SERVICE KIT****BOOK B****06-10****BOTTOM PARTS****B****2.3.3****11**

Item	Ref.No.	Qty.	Description	Note	EAN code 5715492+
1	<b>P</b> 12000500	1	Container, 5 litre	GD 1005, HDS 1005	
	>>12000502	1	Container, 5 litre Inlet with tap for self-locking dust bag	GD 1005, HDS 1005	
	>> 22246700	1	Container, 5 litre	Heavy duty	+008766
	<b>P</b> 12000600	1	Container, 10 litre	GD 1010, GDS 1010	
	>> 12000602	1	Container, 10 litre Inlet with tap for self-locking dust bag	GD 1010, GDS 1010	
	>>22246800	1	Container, 10 litre	Heavy duty	+008733
2	<b>P</b> 12118100	1	Front wheel, with internal plate and screws		+003280
2	147 1040 500	1	Front wheel, with retaining washer		7319519656329
2b	>>147 1040 510	1	Front wheel, without axle/washer		7319519660111
3	12009300	1	Wheel	Rear wheel	

>> Means: New or changed ref. number or/and changed/new specifications.

**P** Means: Depleted when no longer on stock.

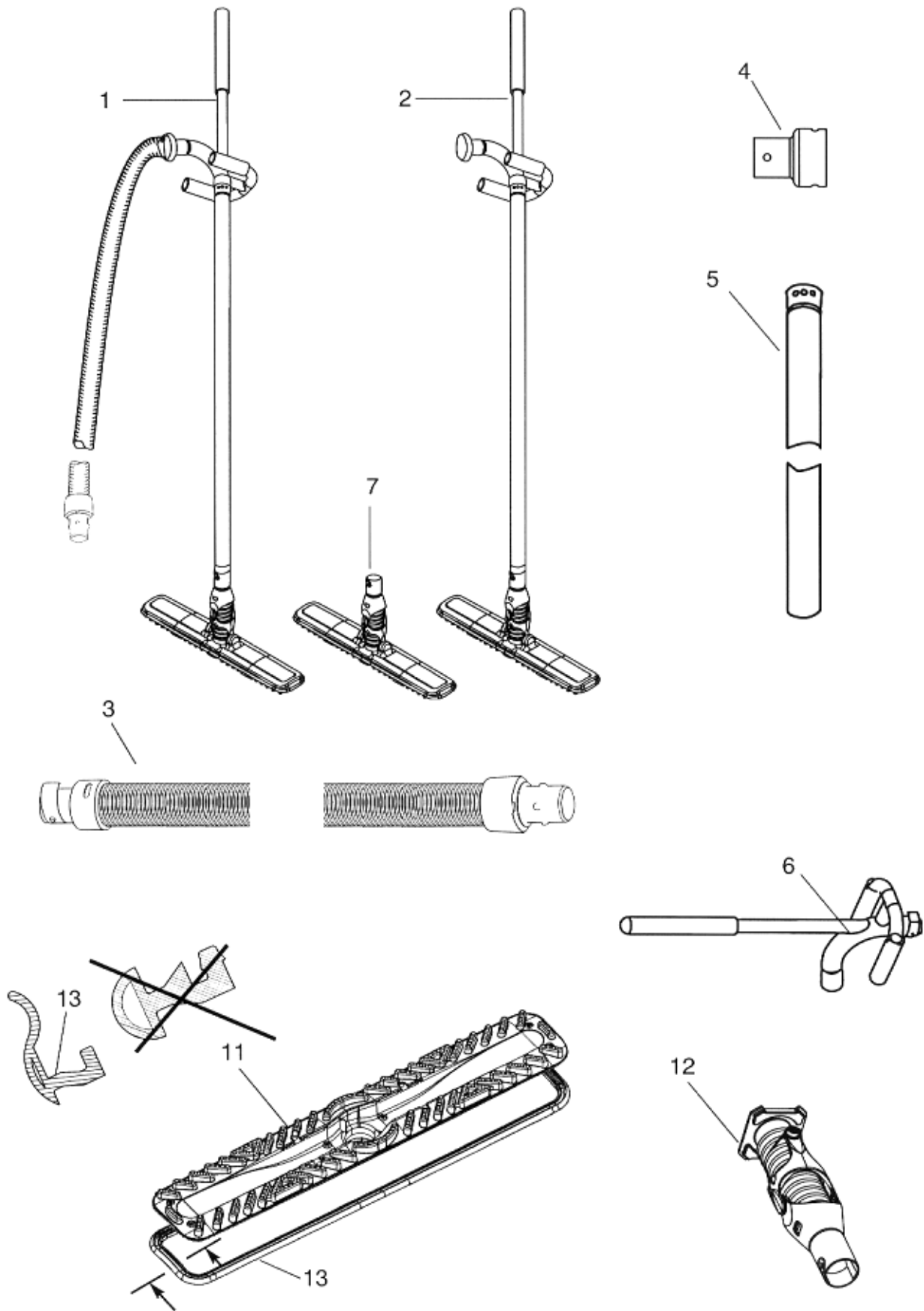
**Note:** Link wheel 12118100 is to be replaced by part number 147 1040 510



<b>01-09</b>	<b>ACCESSORIES FOR GD 1000 SERIES</b>	<b>BOOK B</b>		
<b>01-10</b>	<b>NOZZLES, TUBES, HOSES AND DUST BAGS</b>	<b>B</b>	<b>2.3.3</b>	<b>13</b>

Item	Ref.No.	Qty.	Description	Note	EAN code 5715492+
1	12019401	1	Combi dry nozzle with parking clip 3132 colour: grey	Mat.: PP Width: 306 mm	+003372
2	12018501	1	Roller combi dry nozzle with parking clip 3032 colour: grey	Mat.: PP Width: 294 mm	+003389
3	12017001	1	Roller combi dry nozzle with parking clip 3632 colour: grey	Mat.: PP Width: 294 mm	+003396
4	12010100	1	Electro nozzle 220-240V with parking clip 2832 colour: grey	Mat.: PPA, ABS Width: 280 mm	+003365
4 >>	82220700	1	Electro nozzle, 110-120V with parking clip 2832 colour: grey	Mat.: PPA, ABS Width: 280 mm	+014347 <b>Not UL-approv.</b>
14	22367500	1	Coupling for tube		
15	22365000	1	Brush & belt kit		
22 >>>	22201500	1	Cord, for electro nozzle		+006922
5	12018201	1	Parking clip, colour:grey	Mat.: POM	+003402
6	11112401	1	Tube, length 560mm	Mat.: Steel	+003419
7	12018001	1	Tapered hose Ø 32 mm, 2 m w. curved plast. tube, colour: silver	Mat.: PP; PE	+003426
8	22042401	1	Tapered hose & coupling only	Mat.: PP; PE	+003433
9	11542001	1	Gasket, colour: black	Mat.: EPDM	+003440
10	12018101	1	Hose coupler colour, dark grey	Mat.: PC	+003457
11	21640503	1	Curved Ø 32 mm plast.tube, colour:grey	Mat.: PP	+003464
12 >>>	82367805	1	Dust bag 4.5l, self closing bag. 50 plast. bags in carton	Mat.: Paper	+012107
>>>	82367810	1	Dust bag 9l, self closing plast. bags in carton	Mat.: Paper	+012114
	82016801		Dust bag 4.5l, min.qty. 250 pcs. single bags in carton.		
	82016901		Dust bag 9.5l, min.qty. 250 pcs. single bags in carton.		
13	22251800	1	Dust bag, re-usable with cpip	Mat.: Cotton	+008759
23	22351000	1	Shutter, 5 pcs. in a plastic bag		+010950
16	22366100	1	Hose coupling to inlet		+011919
20	22350900	1	Hose coupling to inlet, kit for tapered hose		+010943
21 >>>	82321300	1	Hose with rubber handle. Length 1.9m  (This hose is known from GD 930, but with inlet coupling for GD 1000 series)		

>> Means: New or changed ref. number or/and changed/new specifications



**01-08****ACCESSORIES FOR GD 1000 SERIES****BOOK B****02-11****NILFISKMOP™****B****2.3.3****15**

Item	Ref.No.	Qty.	Description	Note	EAN code 5715492+
1	P 17830000	x	Mop w. plast.hose length=300cm Tube length = 800mm (small) Height of person= 150-165 cm		+005222
	P 17830001	x	Mop w. plast.hose length=300cm Tube length = 1000mm (medium) Height of person= 165-180cm		+005239
	P 17830002	x	Mop w. plast.hose length=300cm Tube length = 1180mm (large) Height of person= more then180cm		+005246
2	P 17830006	x	Mop without hose Tube length = 800mm (small) Height of person= 150-165 cm		+005529
	17830007	x	Mop without hose Tube length = 1000mm (medium) Height of person= 165-180 cm		+005536
	P 17830008	x	Mop without hose Tube length = 1180mm (large) Height of person= more then 180 cm		+005543
3	62139100	1	Hose plastic w.plastic bayonet coupling and muff for mop. Length=300 cm		+005550
4	82149500	x	Adapter for Numatic and Ghibli		+005574
	82149600	x	Adapter for UZ 930 hose		+005581
	82149700	x	Adapter for Taski type Baby Bora or Bora 12 hose		+005598
5	62188100	x	Tube length 800 mm		+005895
	62188200	x	Tube length 1000 mm		+005901
	62188300	x	Tube length 1180 mm		+005918
6	62188400	1	Handle		+005925
7	22201800	1	Mop nozzle		+006892
11	22144600	1	Foot plate with fender		+005628
12	22144300	1	Flexible neck		+005635
13	22145500	1	Fender list		+007462

**P** Means: Depleted when no longer on stock

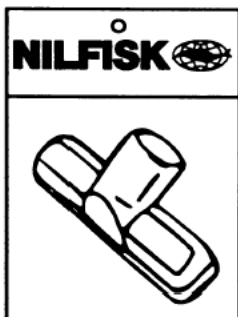
**B**

**2.3.3**

**16**

**NOZZLES, SPECIAL CONSUMER**

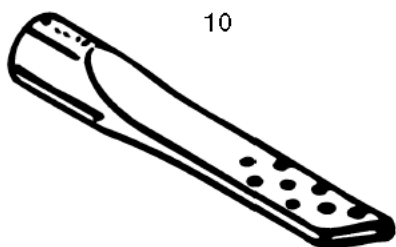
1



2



10



11



12





**00-10****ACCESSORIES FOR GD 1000 SERIES****BOOK B****NOZZLES, SPECIAL CONSUMER****B****2.3.3****17**

Item	Ref.No.	Qty.	Description	Note	EAN code 5715492+
1	32043700	1	Upholstery nozzle, with insertion Width 130 mm, packed in a plastic bag	Plastic	+002658
2	11276901	1	Round brush, turnable. 60% natural bristles, 40% nylon bristles, Width 70 mm, packed in a plastic bag		+005451
	22366000	1	Round brush, turnable. 100% natural bristles, Width 70 mm, packed in a plastic bag		+011902
	22103600	1	Round brush, turnable blue bristles, Polyester PBT Width 70 mm, for alergic applications		+002726
10	81530400	1	Crevice nozzle, width 245 mm	Plastic	
11	11530500	1	Brush for crevice nozzle	Plastic/steel	
12	81140900	1	Flexible nozzle, length 150 mm packed in a plastic bag	Plastic	+001026