

SCRUBTEC 8, 866-871-871C-886

Model:

SCRUBTEC 866

SCRUBTEC 871

SCRUBTEC 871C

SCRUBTEC 886

SCRUBTEC BOOST 8



Part List English

28-02-2013

Nilfisk
ALTO
works for you

www.nilfisk-alto.com

Table of Contents

SCRUBTEC 8, 866-871-871C-886

Solution Tank Assembly	3
Recovery Tank Assembly	5
Handle Assembly, Disc and BOOST Models	7
Handle Assembly, Cylindrical Model	9
Electrical Box Assembly	11
Squeegee Holder Assembly	13
Squeegee Assembly, 32,5" - SCRUBTEC 866	15
Squeegee Assembly, 35" - 871, 871C and BOOST 8	17
Squeegee Assembly, 41" - SCRUBTEC 886	19
Frame Assembly	21
Brush Head Assembly, 866	24
Brush Head Assembly, 871	26
Brush Head Assembly, 886	28
Brush Head Assembly Boost 8	30
Brush Head Assembly, 871 C	33
Chemical Mixing Kit	36
RECOMMENDED SPARE PARTS	38
Accessories 1	41
Accessories 2	43
56380210/56380211 - Flex Plate 28/32 Kit	45
11363A - Chemical Mixing System	47

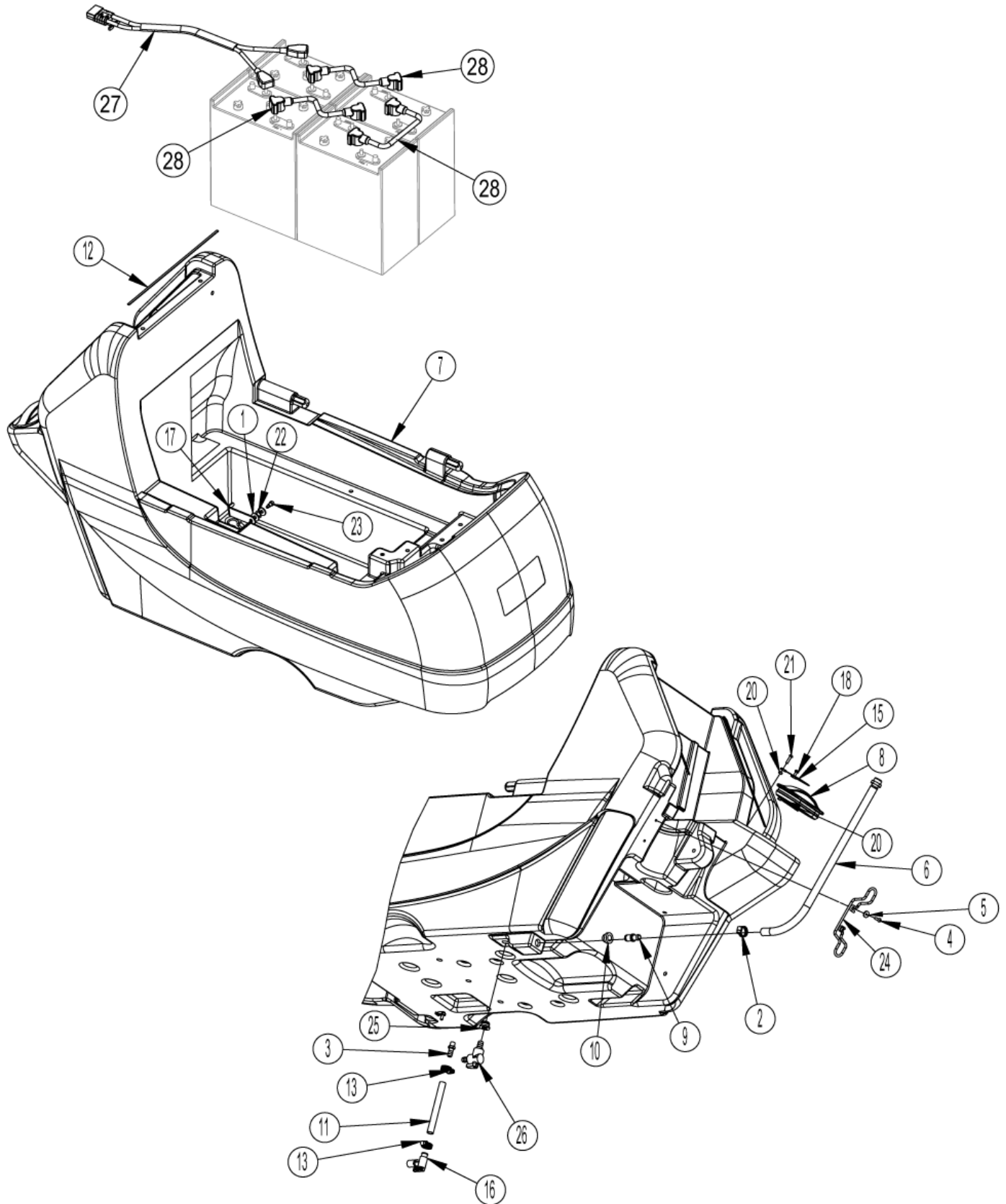
Solution Tank Assembly

SCRUBTEC 8, 866-871-871C-886

28-02-2013

Part List ID
SCRUB801

3



Solution Tank Assembly

SCRUBTEC 8, 866-871-871C-886

28-02-2013

Part List ID
SCRUB801

4

Pos	Part no.	Qty	Description
1	170860	2	WASHER FLT 5/16 PLTD
2	722030	1	CLAMP.HOSE #6
3	820207	1	ADAPTOR
4	964004	2	SCR M 5.0X0.8 X 16 PN*ST
5	56009096	2	Washer flat .193x.875x.06
6	30792A	1	HOSE SOLUTION
7	30796A	1	TANK SOLUTION
8	30804A	1	LID
9	30882A	2	CONNECTOR
10	31242A	2	BUSHING
11	34704A	1	HOSE BRUSH VISION 21I
12	39887A	3	GASKET 15.50 CONTROL PANEL
13	50248A	2	CLAMP, 3/8 HOSE
14	52548A	1	TAB 1/4 SCREW ENCORE 17
15	54773A	1	LANYARD
16	59614A	1	BATTERY DRAIN VALVE (ENC 33)
17	61930A	1	ROD RECOVERY TANK PROP
18	80176A	1	SCREW M5-0.8 X 12MM PPHD SS
19	80179A	1	SCREW M6 1 X 16MM PHD PH SS
20	80196A	2	NUT, M5-0.8 HEX NYLON INS
21	80205A	1	SCREW M5 .8 X 20MM P.P.HD
22	80317A	1	WASHER BOWED .455 ID X .740 OD
23	88630A	1	SCREW SHOULDER M6 1.0 X8X10MM
24	909 5149 000	1	CABLE SUPPORT
25	909 5286 000	1	GASKET
26	9097028000	1	VALVE ELBOW
27	56381850	1	CABLE BATT 26 UNIV POST
28	56381852	3	CABLE BATT 16 UNIV POST
NS	71496A	1	LABEL NILFISK ALTO

NS = Not Show n

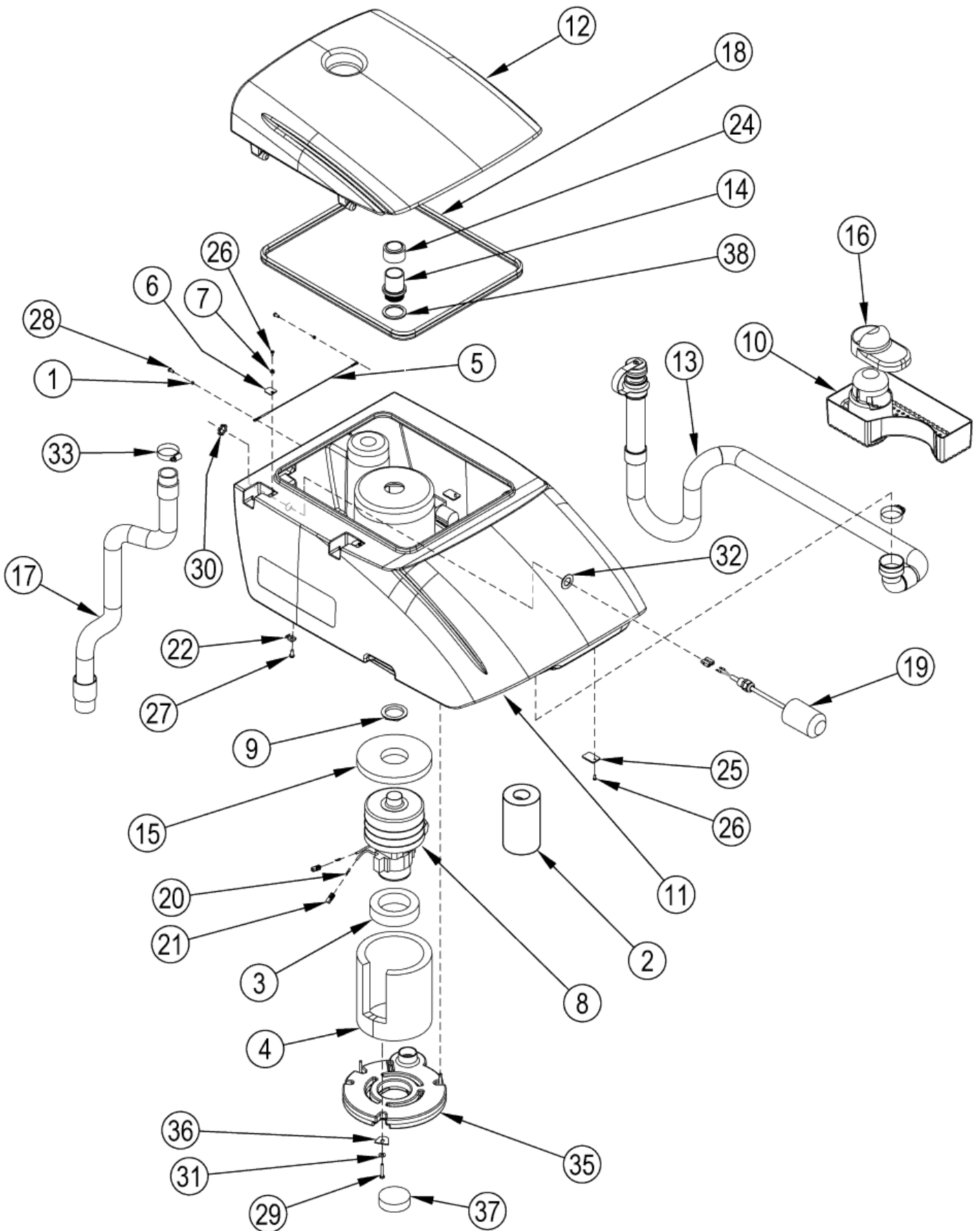
Recovery Tank Assembly

SCRUBTEC 8, 866-871-871C-886

28-02-2013

Part List ID
SCRUB803

5



Recovery Tank Assembly

SCRUBTEC 8, 866-871-871C-886

28-02-2013

Part List ID
SCRUB803

6

Pos	Part no.	Qty	Description
1	56151092	2	Bushing .18x.25x.15G31H
2	909 6442 000	1	PIPE ACOUSTIC INSULATION
3	909 6490 000	1	GASKET VACUUM MOTOR
4	909 6491 000	1	PANEL ACOUSTIC INSULATION
5	909 6634 000	1	CABLE STOP-LID
6	909 6643 000	2	PLATE TANK COVER
7	909 6679 000	1	BUSH FLANGED
8	9097466000	1	MOTOR VACUUM KIT
9	185USP	1	NUT DIE CAST ALUM 1 1/2 N
10	30791A	1	TRAY
11	30797A	1	RECOVERY TANK
12	30798A	1	RECOVERY TANK LID
13	30799A	1	HOSE DRAIN
14	30805A	1	STAND TUBE
15	30823A	1	GASKET VACUUM MOTOR
16	30827A	1	LID DEBRIS
17	30832A	1	HOSE SQUEEGEE
18	39718A	1	GASKET
19	40002A	1	SWITCH.FLOAT.ELECTRICAL
20	41809A	2	CONTACT. CONNECTOR (VISIO
21	43401A	2	HOUSING. CONNECTOR (BLK)
22	52548A	2	TAB 1/4 SCREW ENCORE 17
23	53371A	2	CLAMP HOSE IMAGE 16/20
24	58069A	1	SCREEN VAC FILTER ENCORE
25	60367A	2	PLATE RETAINER
26	80057A	4	SCREWM4 .7X10 PN PHILLIP SS
27	80208A	2	SCREW M6 1 X 10MM P.P.HD
28	80363A	2	SCREW M5 .8X12 BT
29	80410A	3	SCREW M6 1 X 35MM HEX ZINC
30	82100A	1	LOCKNUT 1/2in CONDUIT
31	87026A	3	WASHER. .250. FLAT. SS
32	87612A	1	SEAL.WASHER.1700 BT II
33	54774A	2	CLAMP HOSE
34	699202	2	TIE WIRE 935A
35	909 6051 000	1	MOTOR COVER
36	909 6638 000	3	PLATE VACUUM COVER
37	909 6672 000	1	FILTER
38	187B	1	WASHER FLAT 1 3/4 ID X 2 1
NS	71447A	2	LABEL SCRUBTEC 866
NS	71448A	2	LABEL LABEL
NS	71449A	2	LABEL SCRUTEK 8 NEW ARTICLE
NS	71450A	2	LABEL SCRUBTEC 866
NS	71451A	2	LABEL SCRUBTEC BOOST 8

NS = Not Show n

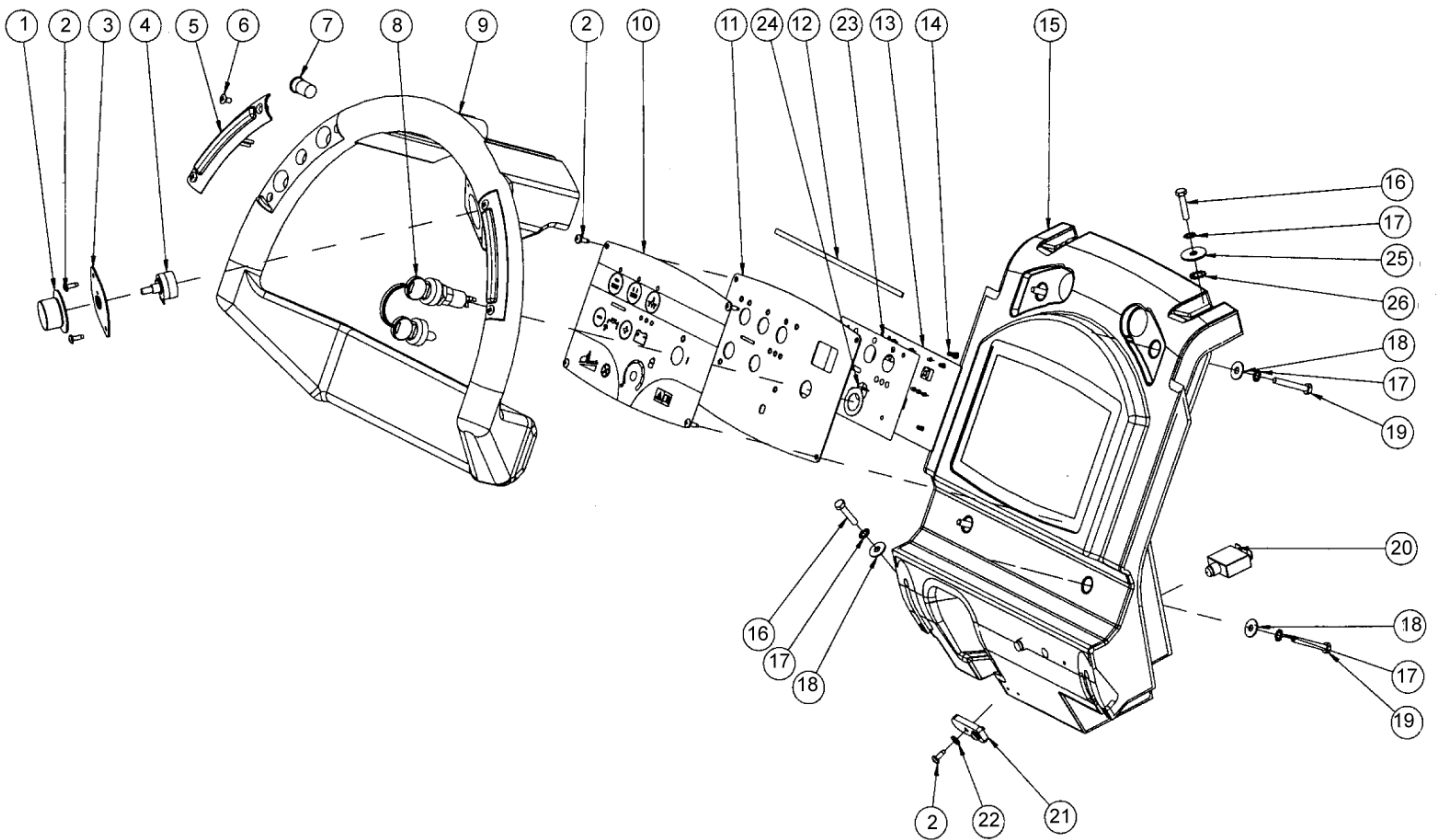
Handle Assembly, Disc and BOOST Models

SCRUBTEC 8, 866-871-871C-886

28-02-2013

Part List ID
SCRUB805

7



Handle Assembly, Disc and BOOST Models

SCRUBTEC 8, 866-871-871C-886

28-02-2013

Part List ID
SCRUB806

8

Pos	Part no.	Qty	Description
1	50962A	1	TRAVERSE CONTROL KNOB
2	962957	10	SCR 10-16X 1/2 PN*ST HI
3	61922A	1	PLATE POTENTIOMETER
4	41078A	1	HARNESS TRAVERSE
5	11131A	2	CONTROL ASM HANDLE SWITCH
6	80192A	4	SCREW
7	52556A	1	PUSH BUTTON SWITCH ENCORE 17
8	146 2887 000	1	KEY (2 PCS) replacement key
8	146 2888 000	1	SWITCH KEY WITH CAP
9	30785A	1	HANDLE CONTROL
10	71425A	1	DECAL CONTROL SEE TSB--CL 2010--33
11	61929A	1	PANEL
12	39886A	1	GASKET 13.50 CONSOLE PANEL
13	41067A	1	BOARD FUNCTION BOARD FUNCTION
13	56382501	1	FUNCTION BOARD SERVICE KIT
14	50267A	4	SCREW 8 32 X 3/8 NYLON
15	30784A	1	HOUSING CONTROL
16	87902A	4	SCREW 6MM X 1.00 X 30MM LG.
17	980614	8	WASHER LK 1/4 EXT TOOTHPLTD
18	87007A	6	WASHER-CONTROL SHAFT ECCE
19	88628A	4	SCREW M6 1 X 45MM HEX
20	41431B	2	CIRCUIT BREAKER-35A.SCR.T ERM.
21	39888A	1	RETAINER
22	980643	2	7/16ODX.036THK WASHER
23	30831A	1	INSULATOR
24	61948A	1	WASHER TAB GROUND
25	980205	2	WASHER
26	980666	2	WASHER 3/8 EXT.STAR
NS	41063A	1	HARNESS KEY SWITCH
NS	56469382	1	TERM. 250 INS. TAB

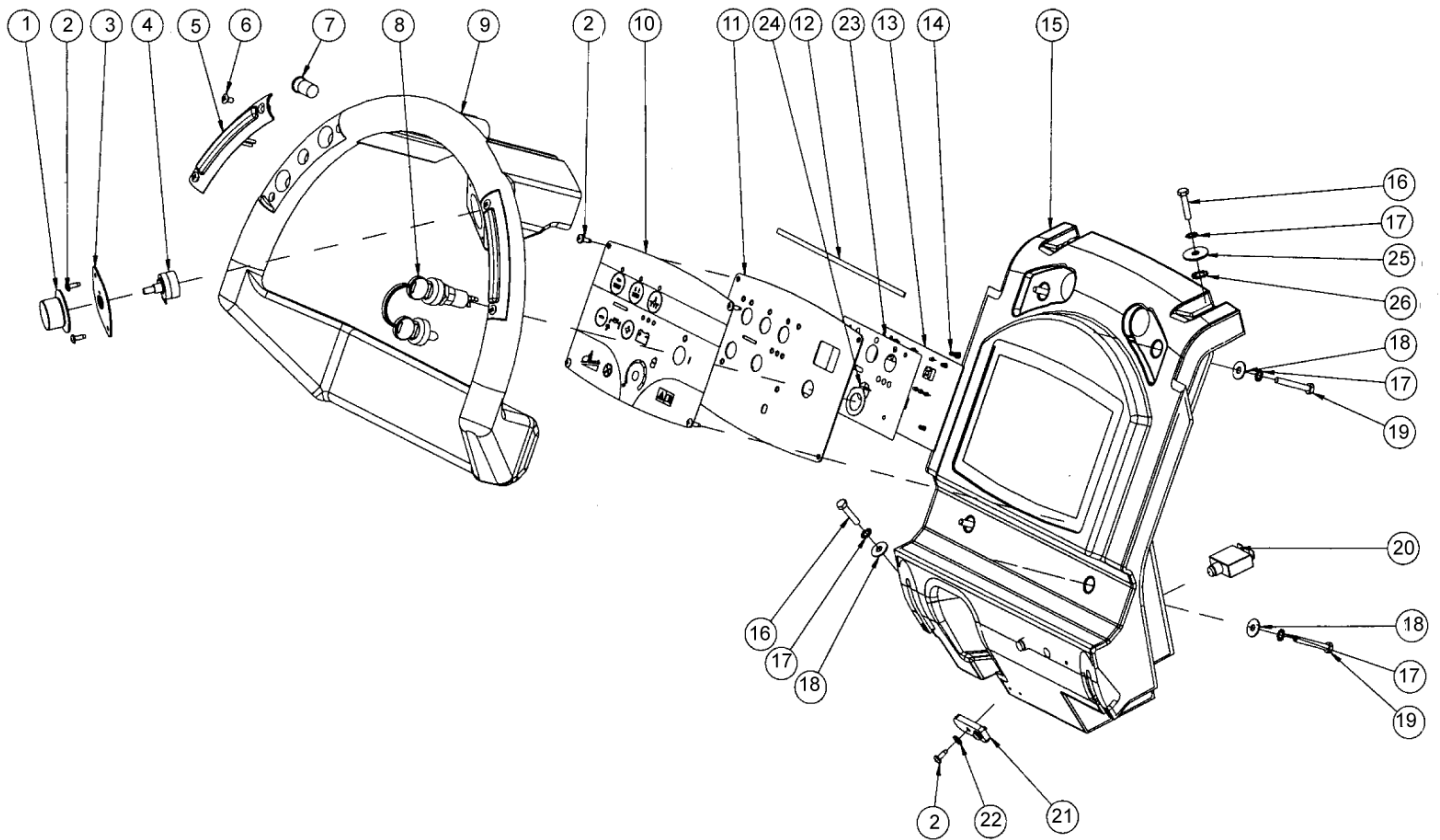
Handle Assembly, Cylindrical Model

SCRUBTEC 8, 866-871-871C-886

28-02-2013

Part List ID
SCRUB807

9



Handle Assembly, Cylindrical Model

SCRUBTEC 8, 866-871-871C-886

28-02-2013

Part List ID
SCRUB807

10

Pos	Part no.	Qty	Description
1	50962A	1	TRAVERSE CONTROL KNOB
2	962957	10	SCR 10-16X 1/2 PN*ST HI
3	61922A	1	PLATE POTENTIOMETER
4	41078A	1	HARNESS TRAVERSE
5	11131A	2	CONTROL ASM HANDLE SWITCH
6	80192A	4	SCREW
7	52556A	1	PUSH BUTTON SWITCH ENCORE 17
8	146 2888 000	1	SWITCH KEY WITH CAP
9	30785A	1	HANDLE CONTROL
10	71484A	1	LABEL CONTROL
11	61929A	1	PANEL
12	39886A	1	GASKET 13.50 CONSOLE PANEL
13	41067A	1	BOARD FUNCTION BOARD FUNCTION
13	56382501	1	FUNCTION BOARD SERVICE KIT
14	50267A	4	SCREW 8 32 X 3/8 NYLON
15	30784A	1	HOUSING CONTROL
16	87902A	4	SCREW 6MM X 1.00 X 30MM LG.
17	980614	8	WASHER LK 1/4 EXT TOOTHPLTD
18	87007A	6	WASHER-CONTROL SHAFT ECCE
19	88628A	4	SCREW M6 1 X 45MM HEX
20	41422B	2	CIRCUIT BREAKER.25A
21	39888A	1	RETAINER
22	980643	2	7/16ODX.036THK WASHER
23	30831A	1	INSULATOR
24	61948A	1	WASHER TAB GROUND
25	980205	2	WASHER
26	980666	2	WASHER 3/8 EXT.STAR
NS	41063A	1	HARNESS KEY SWITCH
NS	56469382	1	TERM. 250 INS. TAB

NS = Not Show n

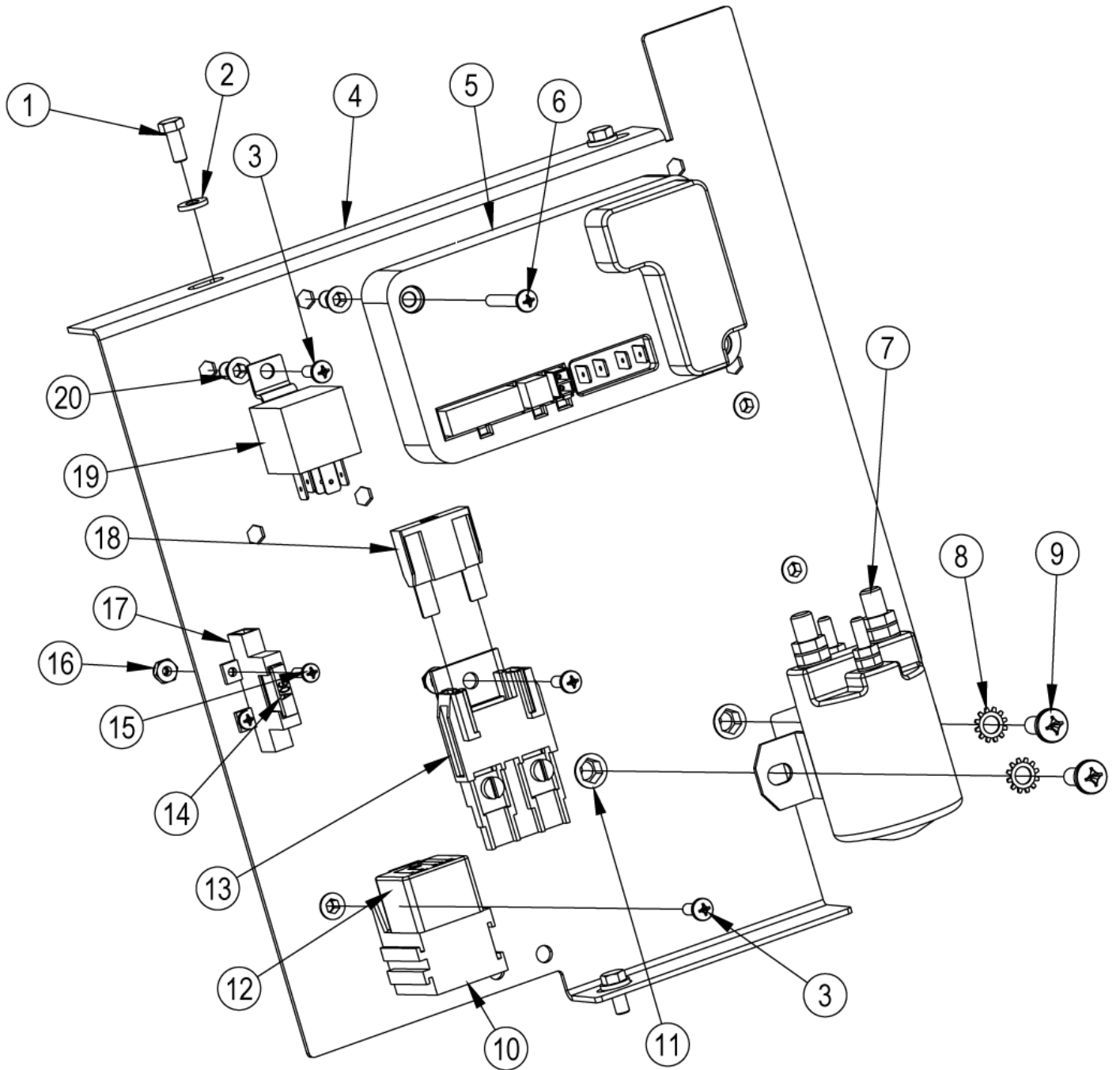
Electrical Box Assembly

SCRUBTEC 8, 866-871-871C-886

28-02-2013

Part List ID
SCRUB809

11



Electrical Box Assembly

SCRUBTEC 8, 866-871-871C-886

28-02-2013

Part List ID
SCRUB809

12

Pos	Part no.	Qty	Description	
1	80249A	3	SCREWM5 .8X12MM HEX HEAD S.S.	
2	980643	3	7/16ODX.036THK WASHER	
3	962027	3	SCREW. 8-32 X 1/2 PAN HD	
4	61933A	1	PLATE ELECTRICAL	
5	41068B	1	CONTROLLER I DRIVE 24V	
6	80380A	2	SCREW 8 32 X 1 1/4 PH	
7	56412179	1	Contactora	
8	980614	2	WASHER LK 1/4 EXT TOOTHPLTD	
9	85391A	2	SCR 1/4 -20X 5/8 PN*SY	
10		1	NOTE COMMENT	Relay Holder included in 41061A Harness
11	54764A	2	INSERTHEX1/4 20 UNC ENCORE	
12	41075A	1	RELAY	(Vacuum)
13		1	NOTE COMMENT	Fuse Holder included in 41061A Harness
14	41073A	1	FUSE 30A	(Vacuum / see WARNING below)
15	962979	2	SCR 6-32X 1/2 PN*ST MAC	
16	920056	2	NUT-6X32 ELASTIC STOP	
17		1	NOTE COMMENT	Fuse Holder included in 41061A Harness
18	41074A	1	FUSE 60A	(Traverse Motor / see WARNING below)
19	41069B	1	RELAY 24VDC MINI ISO	
20	54763A	7	INSERTHEX 8 32 UNC ENCORE	
NI	41061A	1	HARNESS MACHINE	Harness, Machine
NI	41065B	1	HARNESS TRAVERSE	Harness Traverse

WARNING: To reduce the risk of fire, when replacing fuse, replace only with same type and rating of fuse that comes with machine.

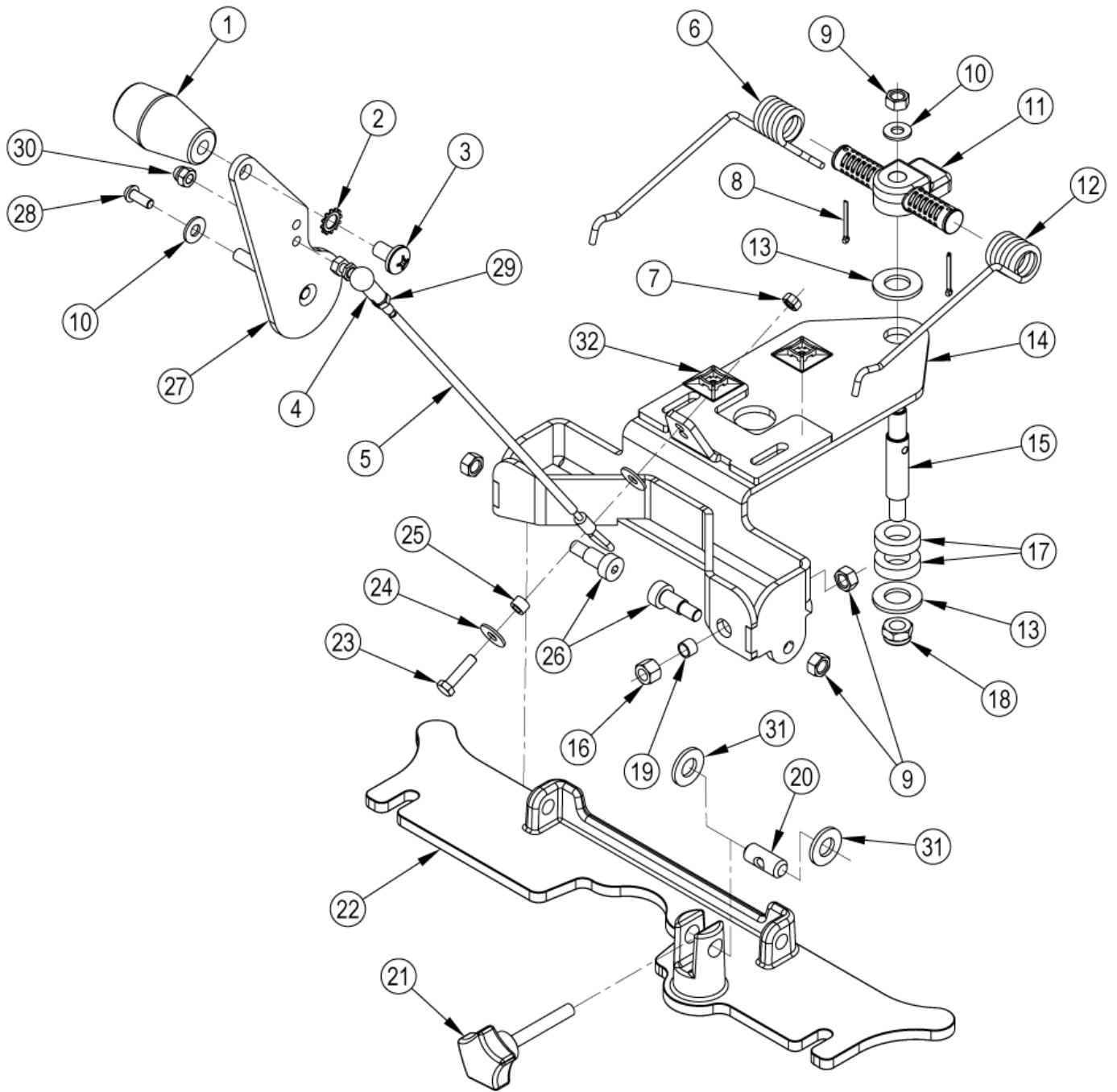
Squeegee Holder Assembly

SCRUBTEC 8, 866-871-871C-886

28-02-2013

Part List ID
SCRUB811

13



Squeegee Holder Assembly

SCRUBTEC 8, 866-871-871C-886

28-02-2013

Part List ID
SCRUB811

14

Pos	Part no.	Qty	Description
1	52557A	1	SQUEEGEE KNOB ENCORE 17
2	980666	1	WASHER 3/8 EXT.STAR
3	85389A	1	SCR 3/8 -16X 5/8 PN*SY
4	145 8479 000	1	Articulated head M 6
5	9097366000	1	CABLE SQUEEGEE LIFTING
6	909 6537 000	1	SPRING,SQUEEGEE PUSHING
7	80199A	1	NUT, M6-1 HEX NYLON LOCK
8	925044	2	PIN-3/32X1 COTTER
9	80198A	4	NUT M8 1.25 HEX NYLON S.S.
10	980651	2	WASHER. 5/16 SAE FLAT
11	909 6052 000	1	SUPPORT,SQUEEGEE SPRING
12	909 6538 000	1	SPRING,SQUEEGEE PUSHING
13	87613A	2	WASHER.NYLON.2000BT II
14	61953A	1	PLATE SQUEEGEE SUPPORT
15	909 6497 000	1	PIN SQUEEGEE
16	80163A	1	NUT M8 1.25 HEX
17	38708A	2	SPACER.BRUSH END. EXT-210
18	80223A	1	NUT
19	L08602422	1	DISTANCE SLEEVE
20	L08601509	1	WASHER
21	54699A	1	KNOB
22	909 6045 000	1	SUPPORT, SQUEEGEE
23	964054	1	SCR M 6.0X1.0 X 25 HX ST
24	87007A	2	WASHER-CONTROL SHAFT ECCE
25	146 2258 000	1	SPACER 6.1X10X6.5
26	909 6495 000	2	SCREW,SHOULDER M10X16 ISO 7379
27	61952A	1	LEVER SQUEEGEE LIFT
28	80179A	1	SCREW M6 1 X 16MM PHD PH SS
29	80171A	1	NUT M6 1 HEX
30	88640A	1	NUT M6 1 ACORN ZINC PLATED
31	80424A	2	WASHER NYLON 1 X 1/2 X .100

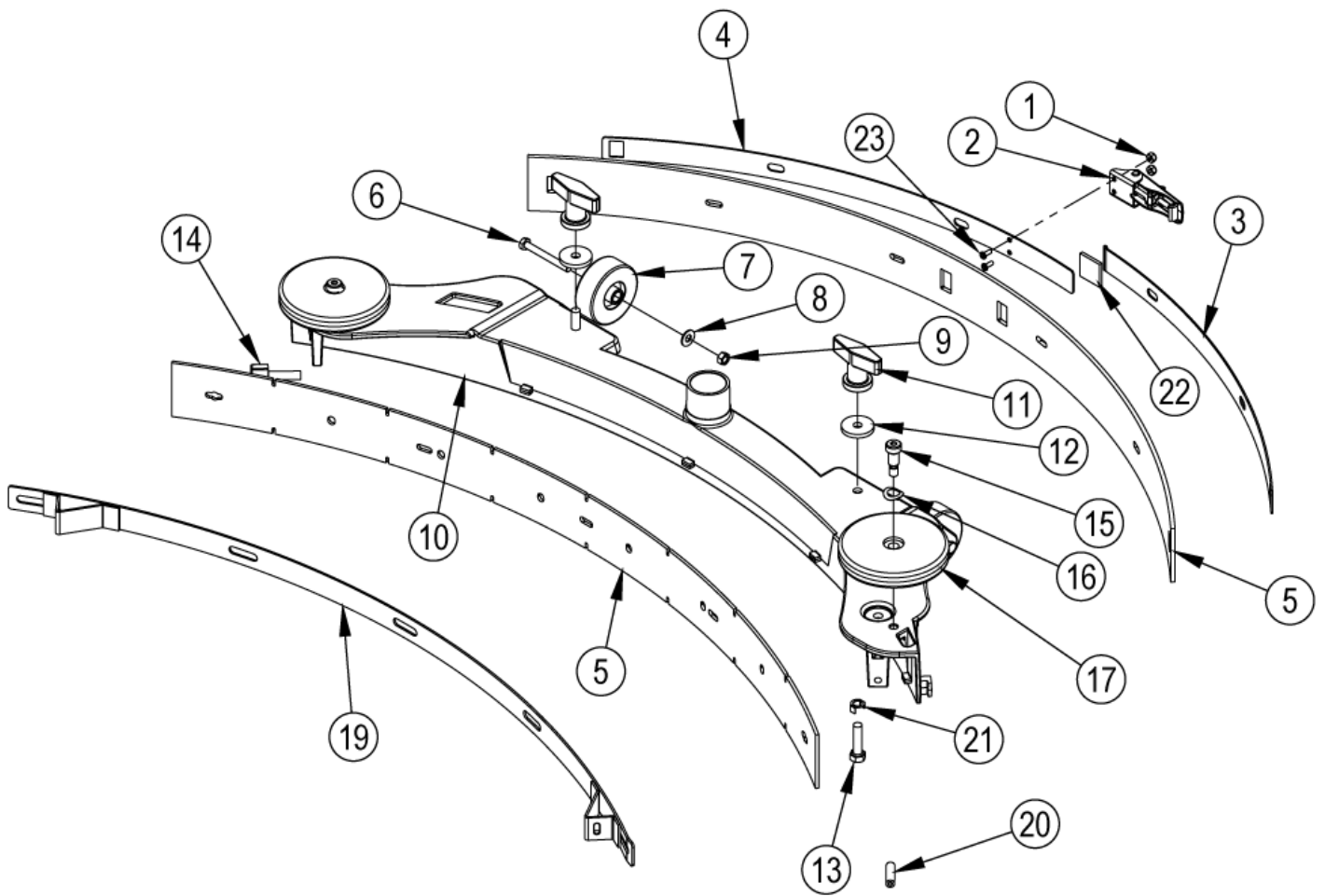
Squeegee Assembly, 32,5" - SCRUBTEC 866

SCRUBTEC 8, 866-871-871C-886

28-02-2013

Part List ID
SCRUB813

15



Squeegee Assembly, 32,5" - SCRUBTEC 866

SCRUBTEC 8, 866-871-871C-886

28-02-2013

Part List ID
SCRUB813

16

Pos	Part no.	Qty	Description	
0	10398A	1	SQUEEGEE ASSY 32.5	NOTE 1
1	56002907	2	Nut Hex Nyl Loc SS 6-32	
1		2	RIVET	
2	9098321000	1	LATCH SQUEEGEE	
3	9097356000	1	STRAP SQUEEGEE LEFT REAR 32.5	
4	9097357000	1	STRAP SQUEEGEE RT REAR 32.5	
5	11333A	1	SQUEEGEE BLADE KIT 32.5IN URETHANE	NOTE 2
6	88629A	2	SCREW	
7	9099133000	2	WHEEL 60X20 WITH BUSHING	
8	87026A	2	WASHER. .250. FLAT. SS	
9	80199A	2	NUT, M6-1 HEX NYLON LOCK	
10		1	FRAME SQUEEGEE 32.5	NOTE 3
11	56370711	1	Nut Thumb 5/16-18 Cv211F	
12	909 6682 000	2	RUBBER WASHER	
13	962157	2	SCR 5/16-18X1&1/4 HX ST	
14	54647A	1	KNOB	
15	88609A	2	SCREW 5/16 18 X 3/8 X 5/8 SHSB	
16	80317A	2	WASHER BOWED .455 ID X .740 OD	
17	30048A	2	WHEEL GUIDE 4in DIAMETER	
18	30817U	1	BLADES URETHANE FRONT 32.5	
19	60465A	1	STRAP SQUEEGEE FRONT 32.5	
20	88632A	1	SCREW	
21	60564A	2	SHIM	
22	39717A	1	PAD SQUEEGEE FOAM	
23	56002909	2	Scr Pan Phil SS 6-32 x 0.	

NOTE 1: Squeegee Assembly includes Urethane blades.

NOTE 2: Squeegee Blade Kit includes both front and rear squeegee blades.

NOTE 3: The squeegee frame is not available for sale. If you need to replace the squeegee frame please order the entire squeegee assembly

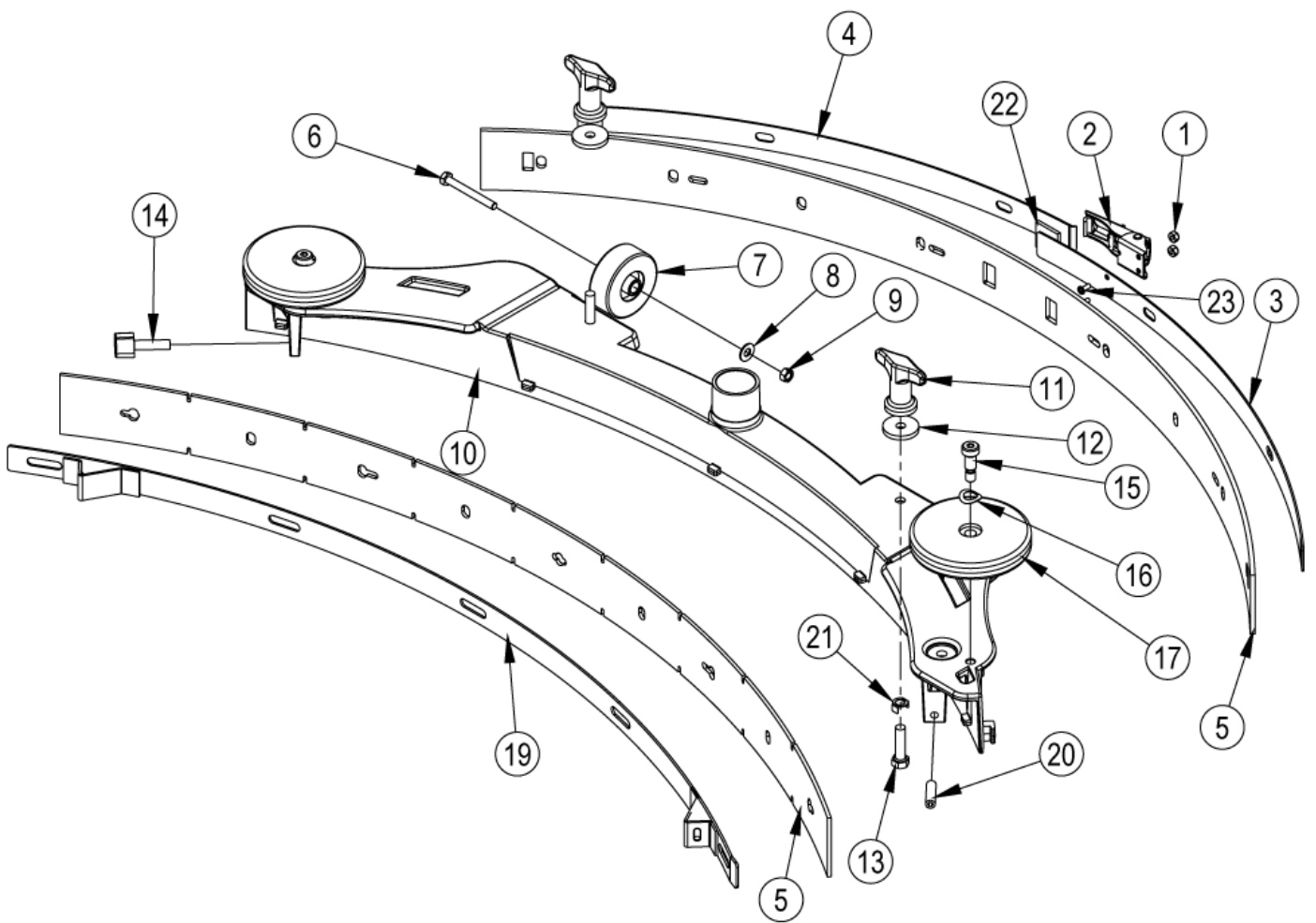
Squeegee Assembly, 35" - 871, 871C and BOOS

SCRUBTEC 8, 866-871-871C-886

28-02-2013

Part List ID
SCRUB815

17



Squeegee Assembly, 35" - 871, 871C and BOOS

SCRUBTEC 8, 866-871-871C-886

28-02-2013

Part List ID
SCRUB815

18

Pos	Part no.	Qty	Description	
0	10399A	1	SQUEEGEE ASSY 35	NOTE 1
1	56002907	2	Nut Hex NyI Loc SS 6-32	
1		2	RIVET	
2	9098321000	1	LATCH SQUEEGEE	
3	9097361000	1	STRAP SQUEEGEE	
4	9097362000	1	STRAP SQUEEGEE RIGH REAR 35	
5	11332A	1	SQUEEGEE	NOTE 2
6	88629A	2	SCREW	
7	9099133000	2	WHEEL 60X20 WITH BUSHING	
8	87026A	2	WASHER. .250. FLAT. SS	
9	80199A	2	NUT, M6-1 HEX NYLON LOCK	
10		1	FRAME SQUEEGEE 35	NOTE 3
11	9098257000	2	nut thumb squeegee fixing	
12	909 6682 000	2	RUBBER WASHER	
13	962157	2	SCR 5/16-18X1&1/4 HX ST	
14	54647A	1	KNOB	
15	88609A	2	SCREW 5/16 18 X 3/8 X 5/8 SHSB	
16	80317A	2	WASHER BOWED .455 ID X .740 OD	
17	30048A	2	WHEEL GUIDE 4in DIAMETER	
18	30818U	1	BLADE URETHANE FRONT 35	
19	60466A	1	STRAP SQUEEGEE FRONT 35	
20	88632A	1	SCREW	
21	60564A	2	SHIM	
22	39717A	1	PAD SQUEEGEE FOAM	
23	56002909	2	Scr Pan Phil SS 6-32 x 0.	

NOTE 1: Squeegee Assembly includes Urethane blades.

NOTE 2: Squeegee Blade Kit includes both front and rear squeegee blades.

NOTE 3: The squeegee frame is not available for sale. If you need to replace the squeegee frame please order the entire squeegee assembly

Squeegee Assembly, 41" - SCRUBTEC 886

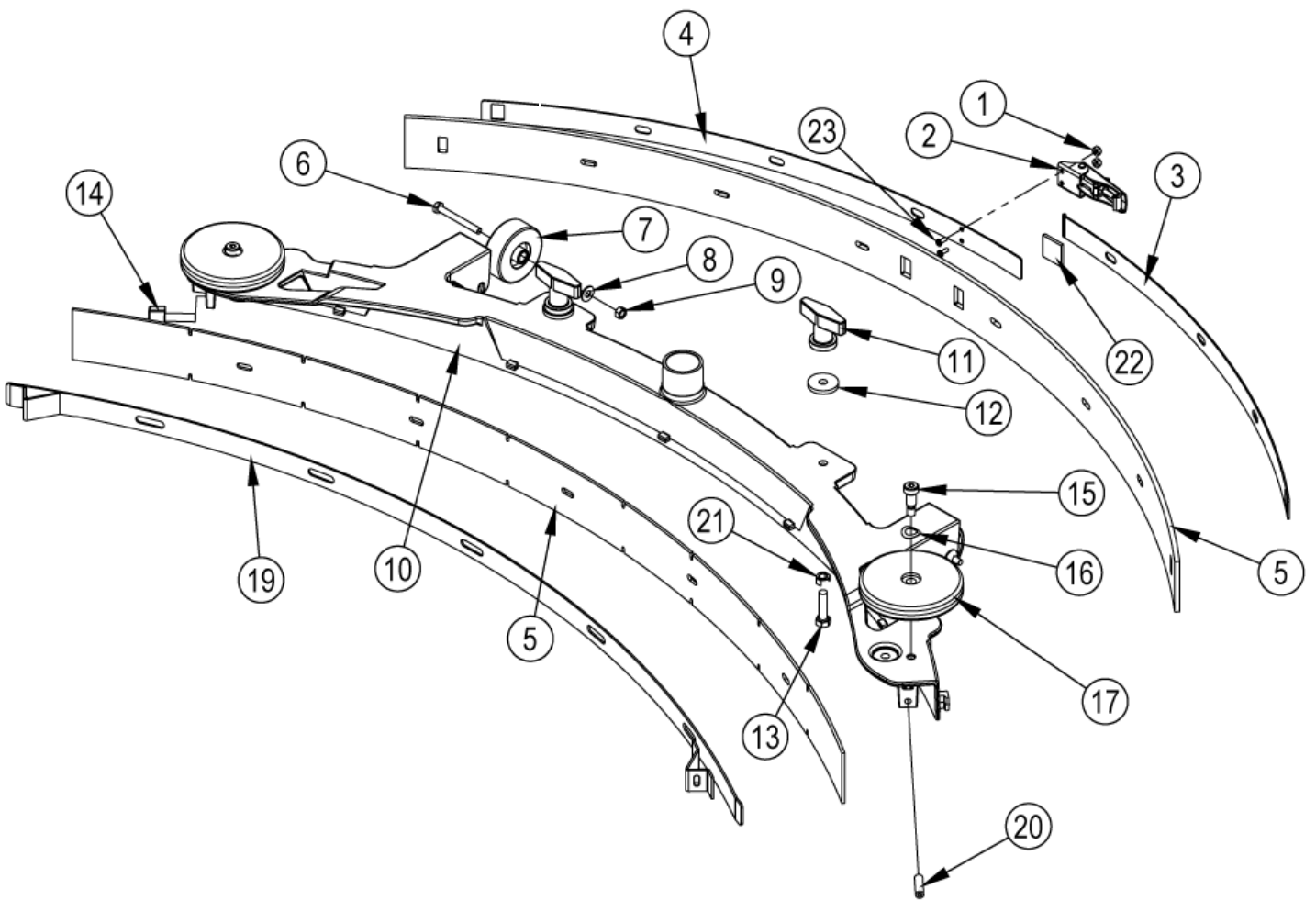
SCRUBTEC 8, 866-871-871C-886

28-02-2013

Part List ID

SCRUB817

19



Squeegee Assembly, 41" - SCRUBTEC 886

SCRUBTEC 8, 866-871-871C-886

28-02-2013

Part List ID
SCRUB817

20

Pos	Part no.	Qty	Description	
0	10748A	1	SQUEEGEE ASSY 41	NOTE 1
1	56002907	2	Nut Hex Nyl Loc SS 6-32	
1		2	RIVET	
2	9098321000	1	LATCH SQUEEGEE	
3	9097375000	1	STRAP SQUEEGEE RIGHT REAR 41	
4	9097376000	1	STRAP SQUEEGEE LEFT REAR 41	
5	11331A	1	SQUEEGEE BLADE KIT 41 URETHANE	NOTE 2
6	88629A	2	SCREW	
7	9099133000	2	WHEEL 60X20 WITH BUSHING	
8	87026A	2	WASHER. .250. FLAT. SS	
9	80199A	2	NUT, M6-1 HEX NYLON LOCK	
10		1	FRAME SQUEEGEE 41	NOTE 3
11	56370711	2	Nut Thumb 5/16-18 Cv211F	
12	909 6682 000	2	RUBBER WASHER	
13	962157	2	SCR 5/16-18X1&1/4 HX ST	
14	54647A	1	KNOB	
15	88609A	2	SCREW 5/16 18 X 3/8 X 5/8 SHSB	
16	80317A	2	WASHER BOWED .455 ID X .740 OD	
17	30048A	2	WHEEL GUIDE 4in DIAMETER	
18	30819U	1	BLADE URETHANE FRONT 41	
19	60546A	1	STRAP SQUEEGEE FRONT 41	
20	88632A	1	SCREW	
21	60564A	2	SHIM	
22	39717A	1	PAD SQUEEGEE FOAM	
23	56002909	2	Scr Pan Phil SS 6-32 x 0.	

NOTE 1: Squeegee Assembly includes Urethane blades.

NOTE 2: Squeegee Blade Kit includes both front and rear squeegee blades.

NOTE 3: The squeegee frame is not available for sale. If you need to replace the squeegee frame please order the entire squeegee assembly

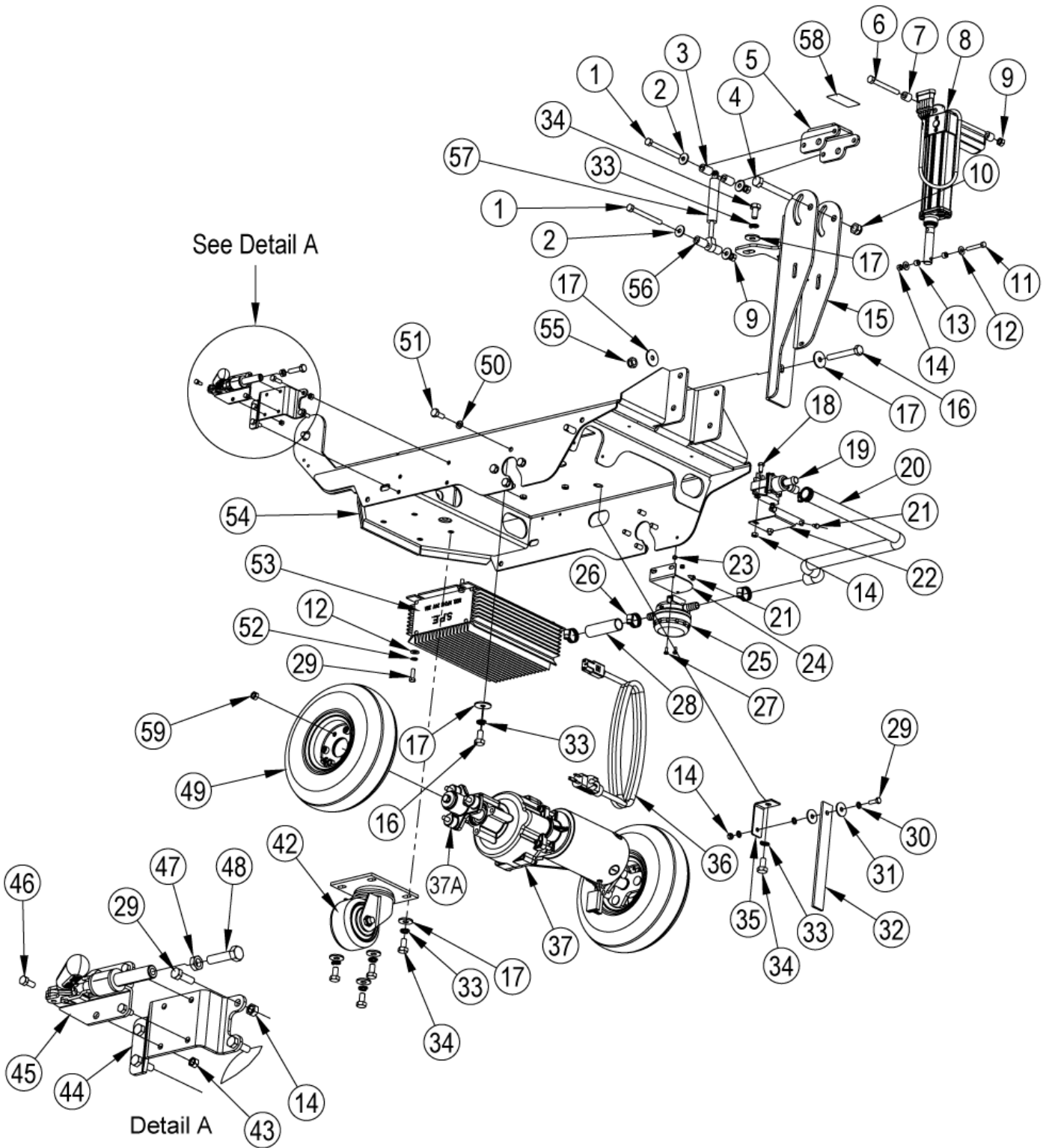
Frame Assembly

SCRUBTEC 8, 866-871-871C-886

28-02-2013

Part List ID
SCRUB819

21



Frame Assembly

SCRUBTEC 8, 866-871-871C-886

28-02-2013

Part List ID
SCRUB819

22

Pos	Part no.	Qty	Description	
1	56003390	2	SCR HEX M8X1.25X90MM	
2	170860	4	WASHER FLT 5/16 PLTD	
3	61937A	2	SPACER	
4	88620A	1	SCREW M12 1.75 X 90MM HEX	
5	9097456000	1	LEVER	
6	88635A	1	SCREW M8 1.25 X 75MM HEX	
7	909 6112 000	2	SPACER 8.2X15X14	
8	40280A	1	ACTUATOR BOOST 32	(for BOOST 28/32 models only)
8	9097402000	1	JACK MOTOR	(for all models except BOOST)
9	80198A	3	NUT M8 1.25 HEX NYLON S.S.	
10	88618A	1	NUT M12 1.75 NYLOCK INSERT	
11	88626A	1	SCREW M6 1 X 40MM HEX	
12	87026A	6	WASHER. .250. FLAT. SS	
13	146 2258 000	2	SPACER 6.1X10X6.5	
14	80199A	8	NUT, M6-1 HEX NYLON LOCK	
15	9097368000	1	SUPPORT DECK LIFTING	
16	88616A	1	SCREW M10 1.5 X 75MM HEX	
17	87054A	11	WASHER FENDER 375	
18	80214A	2	SCREW M6 1 X 12 HEX HD. C.S.	
19	59789A	1	ELECTRIC VALVE (KIT 14669 A)	
20	30828A	1	HOSE	
21	88624A	4	SCREW M5 X 12MM HEX TRILOBE	
22	61932A	1	PLATE SOLUTION SYSTEM SUPPORT	
23	88623A	2	NUT M4 .7 NYLON INSERT	
24	9097370000	1	PLATE SUPPORT FILTER	
25	9097404000	1	FILTER, WATER	
26	722030	4	CLAMP.HOSE #6	
27	80057A	2	SCREWM4 .7X10 PN PHILLIP SS	
28	30829A	1	HOSE	
29	57994A	9	SCREW M6 X 20 HEX HD	
30	980614	3	WASHER LK 1/4 EXT TOOTHPLTD	
31	980205	2	WASHER	
32	69639A	1	STATIC STRAP FUSION	
33	88612A	10	WASHER M10 LOCK	
34	88614A	6	SCREW M10 1.5 X 20MM HEX	
35	61949A	1	BRACKET GROUND STRAP	
36	41081A	1	CORD CHARGER NEMA	NOTE 1
37	40628A	1	BRUSH CARBON MOTOR	NOT SHOWN
37	56381750	1	TRANSAXLE	NOTE 3 /From S/N 3000035867, NOTE 5 / TSBCL2009-02
37	56382670	1	KIT TRANSAXLE MOTOR	
40		6	WASHER M10 FLAT	
41	88613A	4	SCREW M10 1.5 X 16MM HEX	

NOTE 1: Only used on models with on-board charger.

NOTE 2: Only used on models without on-board charger.

NOTE 3: Transaxle 56380160 is obsolete and replaced by Transaxle Kit 56381750

NOTE 4: Optional Brake Kit 56112221

Frame Assembly

SCRUBTEC 8, 866-871-871C-886

28-02-2013

Part List ID
SCRUB819

23

Pos	Part no.	Qty	Description	
42	56112308	1	CASTER SWIVEL 4.00x2.00	
43	80196A	4	NUT, M5-0.8 HEX NYLON INS	NOTE 4
44	61934A	1	BRACKET BRAKE	NOTE 4
45	54772A	1	CLAMP TOGGLE STRAIGHT LINE	NOTE 4
46	80249A	4	SCREWM5 .8X12MM HEX HEAD S.S.	NOTE 4
47	920160	1	NUT-5/16-18 HEX JAM	NOTE 4
48	962157	1	SCR 5/16-18X1&1/4 HX ST	NOTE 4
49	56380159	2	FLANGE WHEEL KIT	For machines built prior to S/N 3000035867, NOTE 5
49	60580A	2	WHEEL	NOTE 5 / TSBCL2010-25
50	980652	8	WASHER.LK 5/16 REG(PLTD)	
51	80183A	8	BOLT M8 1.25 X 20MM HEX	
52	980657	4	WASHER.LK 1/4 STD	
53	56382504	1	CHARGER BATTERY	NOTE 1 / TSBCL2009-04
54	56112727	1	CHASSIS WELDT	
55	80223A	1	NUT	
56	909 6113 000	2	SPACER 8.2X15X24	
57	54689A	1	GAS SPRING 500N	
58	71017A	1	LABEL MOVING PARTS	
NS	40297A	1	CABLE CHARGER ADAPTER	NOTE 2, NOT SHOWN
NS	40512B	1	CHARGER BATTERY 24VDC 25A OUT	NOTE 2, NOT SHOWN
NS	41062A	1	HARNESS CHRГ JUMPER	NOTE 2, NOT SHOWN
NS	699202	3	TIE WIRE 935A	NOT SHOWN
37A	56380158	1	FLANGE KIT	From S/N 3000035867, NOTE 5

NOTE 1: Only used on models with on-board charger.

NOTE 2: Only used on models without on-board charger.

NOTE 3: Transaxle 56380160 is obsolete and replaced by Transaxle Kit 56381750

NOTE 4: Optional Brake Kit 56112221

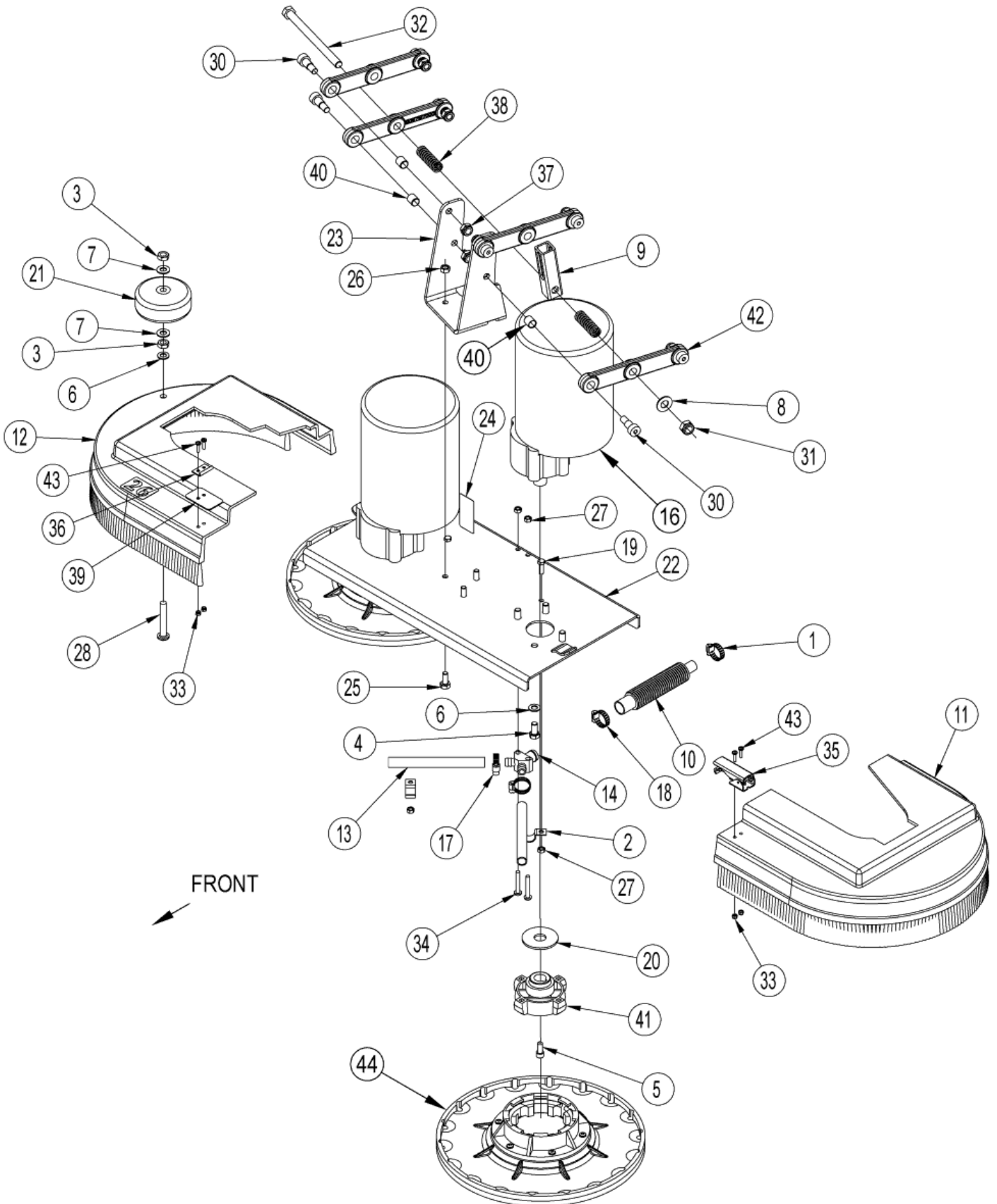
Brush Head Assembly, 866

SCRUBTEC 8, 866-871-871C-886

28-02-2013

Part List ID
SCRUB821

24



Brush Head Assembly, 866

SCRUBTEC 8, 866-871-871C-886

28-02-2013

Part List ID
SCRUB821

25

Pos	Part no.	Qty	Description
1	722030	1	CLAMP.HOSE #6
2	782002	2	CLAMP-MANIFOLD RM-10
3	920248	2	NUT 3/8-16 ESNA LIGHT
4	962244	8	SCREW 3/8-16 X 3/4 HX HAD
5	962714	2	SCR 5/16-18X 3/4 SC ST
6	980638	9	LOCKWASHER 3/8 LT SPRING
7	980645	2	WASHER. 3/8 FLAT SAE
8	980648	1	WASH-17/32 ID X 1&1/16 OD
9	56109717	1	TUBE JACK MOTOR
10	30412A	1	HOSE. SOLUTION (VISION)
11	30661A	1	HOUSING LEFT BRUSH 26
12	30662A	1	HOUSING RIGHT BRUSH 26
13	34705A	2	HOSE.BRUSH (VISION 26L)
14	38014A	1	SOLUTION SPLITTER
15	40645A	4	CONNECTER HOUSING PP75 BL ACK
16	44809B	2	GEARMOTOR, 200 RPM,24V, 1
17	50248A	2	CLAMP, 3/8 HOSE
18	53571A	1	CLAMP HOSE
19	57994A	2	SCREW M6 X 20 HEX HD
20	59856A	2	WASHER.FLAT RUBBER.3/4 X
21	59950A	1	WHEEL. GUIDE (26/32 VISIO
22	61925A	1	PLATE BRUSH 26
23	61926A	1	BRACKET HEAD LIFT
24	71017A	2	LABEL MOVING PARTS
25	80183A	3	BOLT M8 1.25 X 20MM HEX
26	80198A	3	NUT M8 1.25 HEX NYLON S.S.
27	80199A	4	NUT, M6-1 HEX NYLON LOCK
28	85610A	1	SCREW. .375-16 X 2.50 PN PH SS
30	88617A	8	SCREW SHOULDER M10 1.5XM12X16M
31	88618A	1	NUT M12 1.75 NYLOCK INSERT
32	88619A	1	SCREW M12 1.75X160MM HEX ZINC
33	88623A	4	NUT M4 .7 NYLON INSERT
34	88627A	2	SCREW M6 X 40MM PAN
35	55721A	1	LATCH.BRSH.HSG. (ENCORE 2 8-38)
36	55451A	1	BRUSH KEEPER HOUSING ENC 28/38
37	80223A	8	NUT
38	E04016	2	SPRING
39	69186A	1	TAB LATCH BRUSH
40	56112548	8	BUSHING
41	56382665	2	GIMBAL COLLAR ASSEMBLY
42	56382618	4	LEVER KIT
43	964002	4	SCR M 4.0X0.7X16 PN ST
44	38035A	2	DRIVER PAD 13" GIMBAL

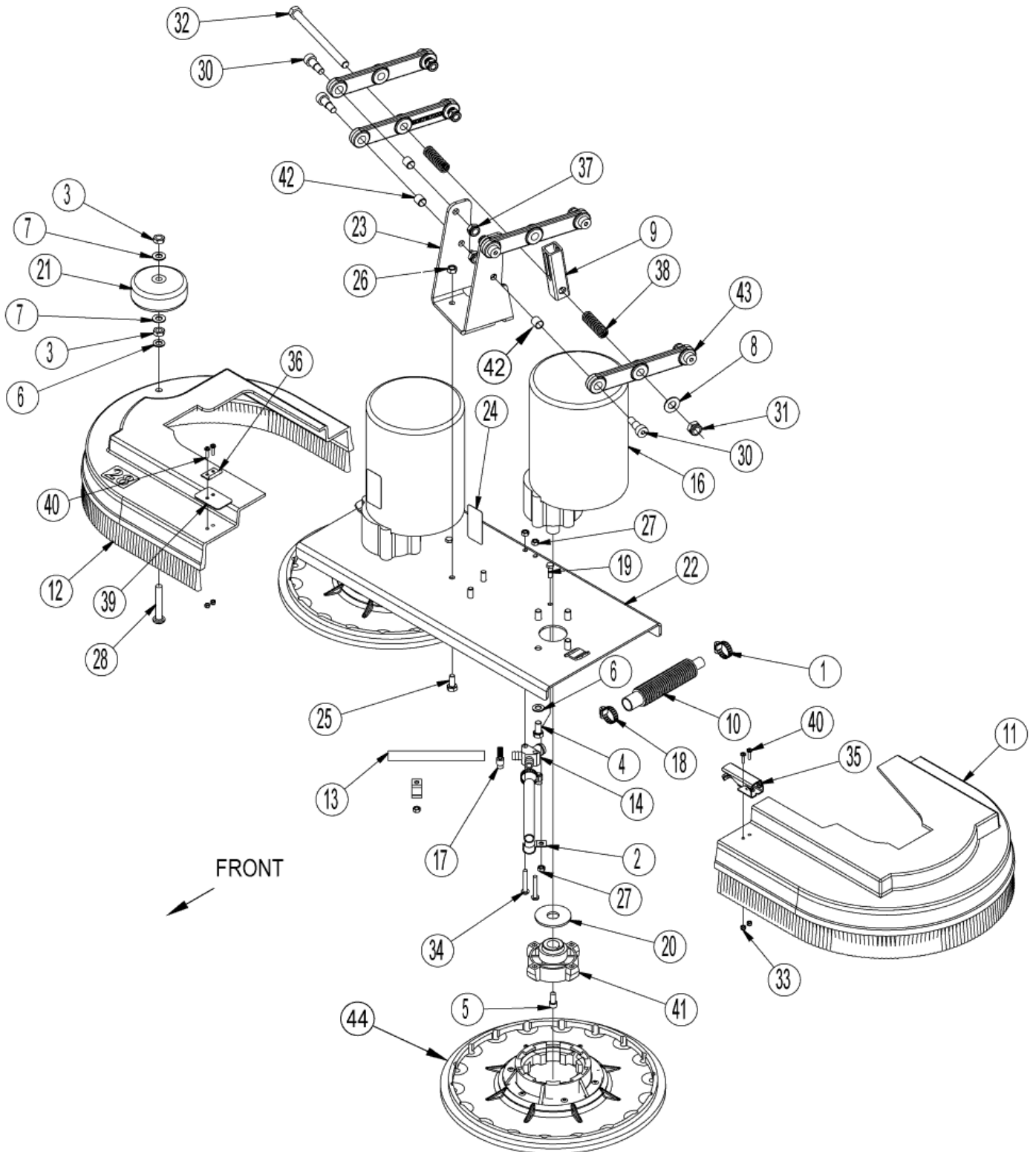
Brush Head Assembly, 871

SCRUBTEC 8, 866-871-871C-886

28-02-2013

Part List ID
SCRUB823

26



Brush Head Assembly, 871

SCRUBTEC 8, 866-871-871C-886

28-02-2013

Part List ID
SCRUB823

27

Pos	Part no.	Qty	Description
1	722030	1	CLAMP.HOSE #6
2	782002	2	CLAMP-MANIFOLD RM-10
3	920248	2	NUT 3/8-16 ESNA LIGHT
4	962244	8	SCREW 3/8-16 X 3/4 HX HAD
5	962714	2	SCR 5/16-18X 3/4 SC ST
6	980638	9	LOCKWASHER 3/8 LT SPRING
7	980645	2	WASHER. 3/8 FLAT SAE
8	980648	1	WASH-17/32 ID X 1&1/16 OD
9	56109717	1	TUBE JACK MOTOR
10	30412A	1	HOSE. SOLUTION (VISION)
11	30574A	1	BRUSH HSG LH FOCUS 28
12	30575A	1	BRUSH, HSG RT. FOCUS
13	34705A	2	HOSE.BRUSH (VISION 26L)
14	38014A	1	SOLUTION SPLITTER
15	40645A	4	CONNECTER HOUSING PP75 BL ACK
16	44809B	2	GEARMOTOR, 200 RPM,24V, 1
17	50248A	2	CLAMP, 3/8 HOSE
18	56106070	6	Ball Bearing Z22
19	57994A	2	SCREW M6 X 20 HEX HD
20	59856A	2	WASHER.FLAT RUBBER.3/4 X
21	59950A	1	WHEEL. GUIDE (26/32 VISIO
22	61924A	1	PLATE BRUSH 28
23	61926A	1	BRACKET HEAD LIFT
24	71017A	2	LABEL MOVING PARTS
25	80183A	3	BOLT M8 1.25 X 20MM HEX
26	80198A	3	NUT M8 1.25 HEX NYLON S.S.
27	80199A	4	NUT, M6-1 HEX NYLON LOCK
28	85610A	1	SCREW. .375-16 X 2.50 PN PH SS
30	88617A	8	SCREW SHOULDER M10 1.5XM12X16M
31	88618A	1	NUT M12 1.75 NYLOCK INSERT
32	88619A	1	SCREW M12 1.75X160MM HEX ZINC
33	88623A	4	NUT M4 .7 NYLON INSERT
34	88627A	2	SCREW M6 X 40MM PAN
35	55721A	1	LATCH.BRSH.HSG. (ENCORE 2 8-38)
36	55451A	1	BRUSH KEEPER HOUSING ENC 28/38
37	80223A	8	NUT
38	E04016	2	SPRING
39	69186A	1	TAB LATCH BRUSH
40	964002	4	SCR M 4.0X0.7X16 PN ST
41	56382665	2	GIMBAL COLLAR ASSEMBLY
42	56112548	8	BUSHING
43	56382618	4	LEVER KIT
44	38036A	2	DRIVER PAD 14IN GIMBAL

NS = Not Show n

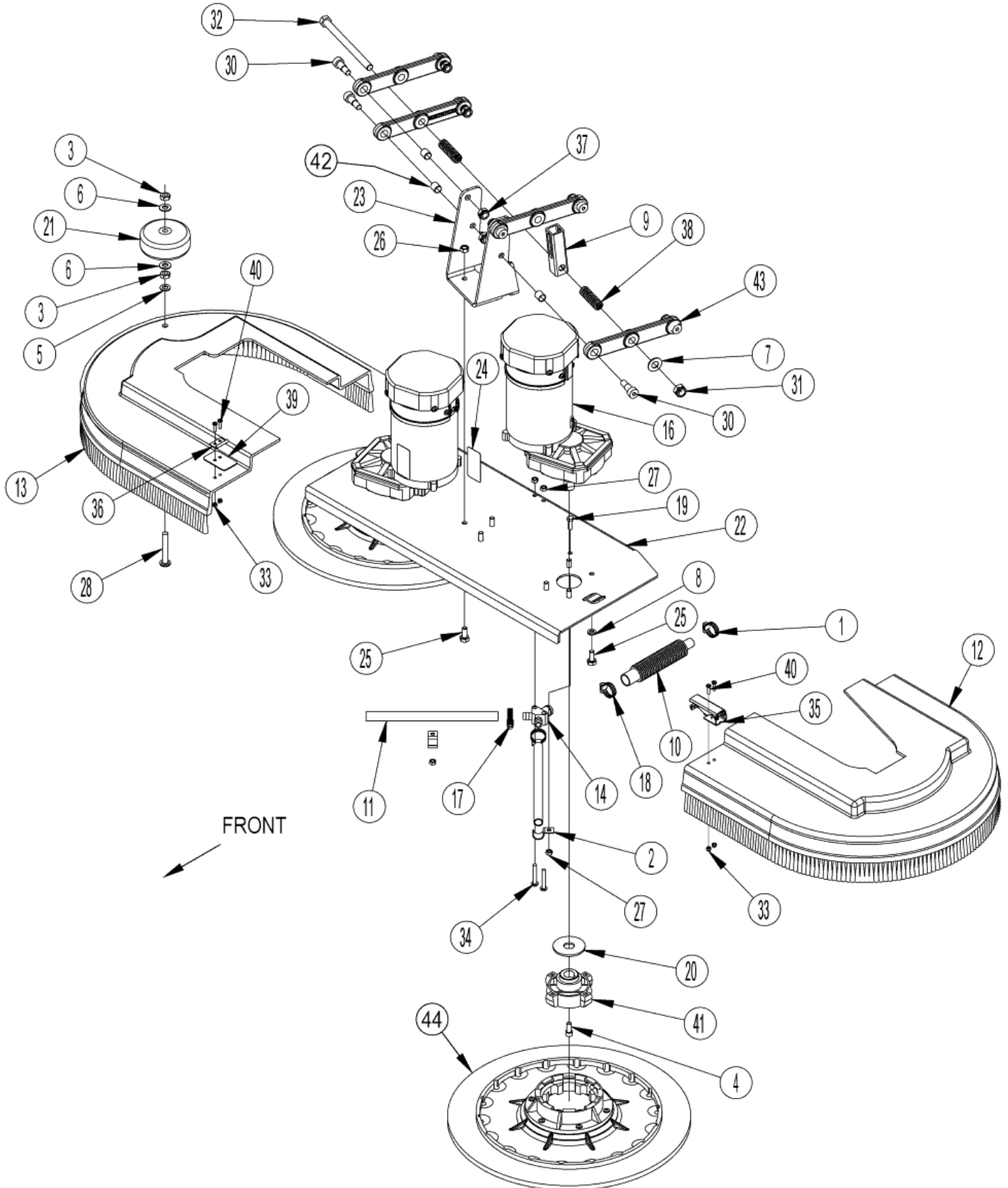
Brush Head Assembly, 886

SCRUBTEC 8, 866-871-871C-886

28-02-2013

Part List ID
SCRUB825

28



Brush Head Assembly, 886

SCRUBTEC 8, 866-871-871C-886

28-02-2013

Part List ID
SCRUB825

29

Pos	Part no.	Qty	Description
1	722030	1	CLAMP.HOSE #6
2	782002	2	CLAMP-MANIFOLD RM-10
3	920248	2	NUT 3/8-16 ESNA LIGHT
4	962714	2	SCR 5/16-18X 3/4 SC ST
5	980638	1	LOCKWASHER 3/8 LT SPRING
6	980645	2	WASHER. 3/8 FLAT SAE
7	980648	1	WASH-17/32 ID X 1&1/16 OD
8	980652	8	WASHER.LK 5/16 REG(PLTD)
9	56109717	1	TUBE JACK MOTOR
10	30412A	1	HOSE. SOLUTION (VISION)
11	30453A	2	SOL. HOSE BRUSH
12	30583A	1	LH BRUSH HSING 784
13	30584A	1	BRUSH, HSG RT FOCUS 34
14	38014A	1	SOLUTION SPLITTER
15	40645A	4	CONNECTER HOUSING PP75 BL ACK
16	41046A	2	BRUSH MOTOR
17	50248A	2	CLAMP, 3/8 HOSE
18	53571A	1	CLAMP HOSE
19	57994A	2	SCREW M6 X 20 HEX HD
20	59856A	2	WASHER.FLAT RUBBER.3/4 X
21	59950A	1	WHEEL. GUIDE (26/32 VISIO
22	61923A	1	PLATE BRUSH 34
23	61926A	1	BRACKET HEAD LIFT
24	71017A	2	LABEL MOVING PARTS
25	80183A	11	BOLT M8 1.25 X 20MM HEX
26	80198A	3	NUT M8 1.25 HEX NYLON S.S.
27	80199A	4	NUT, M6-1 HEX NYLON LOCK
28	85610A	1	SCREW. .375-16 X 2.50 PN PH SS
30	88617A	8	SCREW SHOULDER M10 1.5XM12X16M
31	88618A	1	NUT M12 1.75 NYLOCK INSERT
32	88619A	1	SCREW M12 1.75X160MM HEX ZINC
33	88623A	4	NUT M4 .7 NYLON INSERT
34	88627A	2	SCREW M6 X 40MM PAN
35	55721A	1	LATCH.BRSH.HSG. (ENCORE 2 8-38)
36	55451A	1	BRUSH KEEPER HOUSING ENC 28/38
37	80223A	8	NUT
38	E04016	2	SPRING
39	69186A	1	TAB LATCH BRUSH
40	964002	4	SCR M 4.0X0.7X16 PN ST
41	56382665	2	GIMBAL COLLAR ASSEMBLY
42	56112548	8	BUSHING
43	56382618	4	LEVER KIT
44	38034A	2	DRIVER PAD 17 GIMBAL

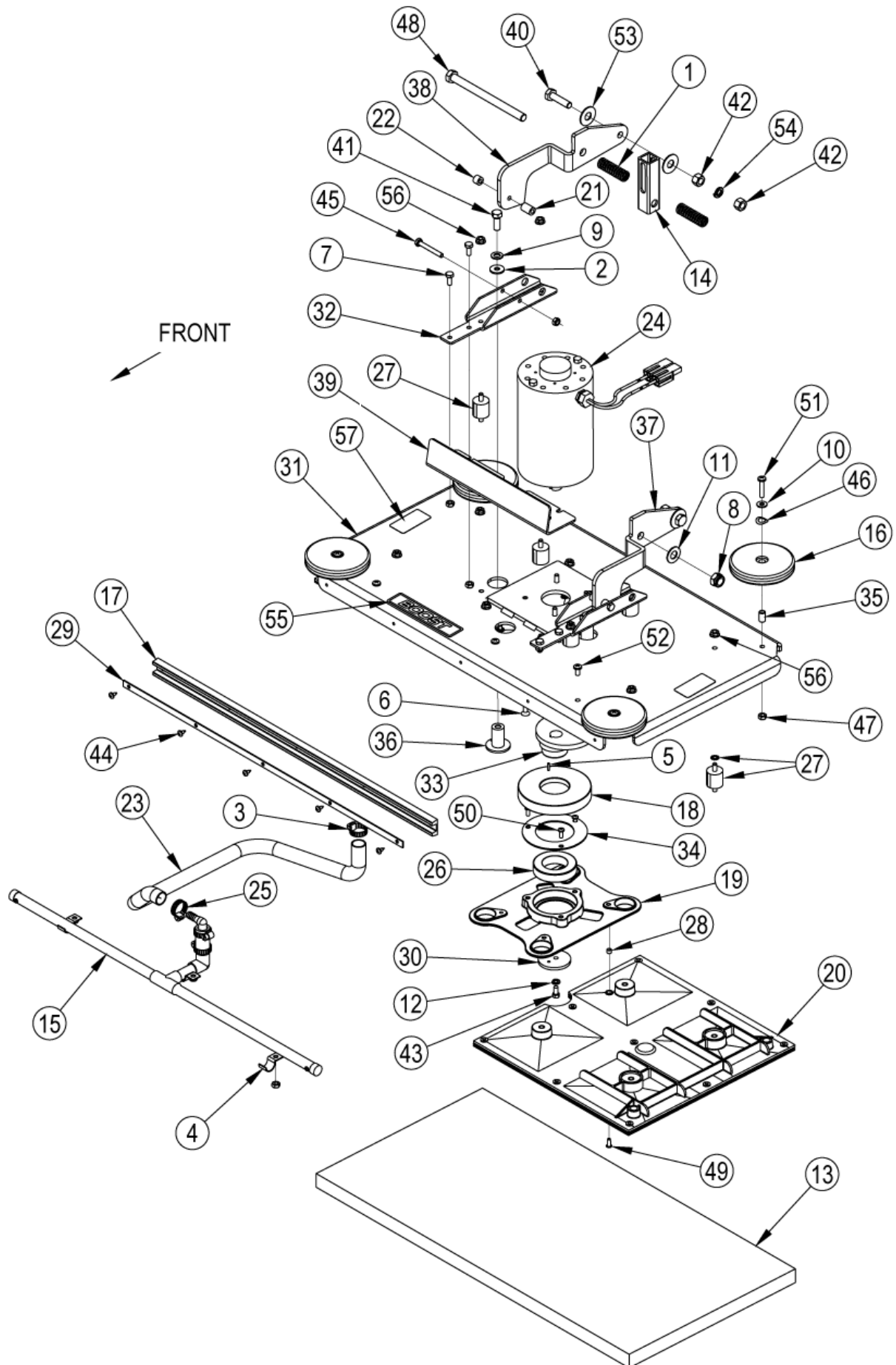
Brush Head Assembly Boost 8

SCRUBTEC 8, 866-871-871C-886

28-02-2013

Part List ID
SCRUB827

30



Brush Head Assembly Boost 8

SCRUBTEC 8, 866-871-871C-886

28-02-2013

Part List ID
SCRUB827

31

Pos	Part no.	Qty	Description	
1	E04016	2	SPRING	
2	170860	2	WASHER FLT 5/16 PLTD	
3	722030	1	CLAMP.HOSE #6	
4	782002	3	CLAMP-MANIFOLD RM-10	
5	925589	1	1/8 X 1/2 PIN ROLL	
6	56001881	4	SCR FLT HD SOC 1/4-20 X .	NOTE 1 - TSBCL2010-12
7	962139	4	SCREW 1/4 20 X 5/8 HEX HD	
8	88618A	1	NUT M12 1.75 NYLOCK INSERT	
9	980638	2	LOCKWASHER 3/8 LT SPRING	
10	980646	4	WASHER. 1/4 SAE FLAT PLTD	
11	980648	1	WASH-17/32 ID X 1&1/16 OD	
12	980657	1	WASHER.LK 1/4 STD	
13	997001	1	PAD, RED 14X28 5-PK	
14	56109717	1	TUBE JACK MOTOR	
15	10309A	1	TUBE DRIP 28	
16	30048A	4	WHEEL GUIDE 4in DIAMETER	
17	30206A	1	BRUSH HOUSING BUMPER	
18		1	SHIELD BOOST BEARING	NOTE 1 / NOTE 2 / - TSBCL2010-12
19	56381491	1	PLATE DRIVER	
20	56380188	1	FLEX PLATE ASSY 28	NOTE 1 - TSBCL2010-12
21	30670A	2	SPACER NYLON	
22	30671A	2	SPACER NYLON	
23	30680A	1	HOSE SOLUTION FLEX	
24	56390072	1	MOTOR 24VDC	
24	56390072	1	MOTOR 24VDC	NOTE 3
24	56412287	1	BRUSH / SPRING KIT (1 PER MOTOR)	(for 56390072)
24	56412287	1	BRUSH / SPRING KIT (1 PER MOTOR)	(for 56380247)
25	50248A	1	CLAMP, 3/8 HOSE	
26	50736A	1	BALL BEARING (OBS-18)	
27	56380235	1	ISOLATOR KIT BOOST	NOTE 1 - TSBCL2010-12
29	61425A	1	BUMPER RETAINER	
30	61724A	1	RETAINER ECCENTRIC	
31	56381724	1	PLATE WELDT BOOST 28	
32	61733B	2	BRACKET LIFT BOOST 32	
33		1	ECCENTRIC BOOST	NOTE 2
34	61775A	1	RETAINER BEARING	
35	61782A	4	SLEEVE GUIDE WHEEL	
36	56381532	2	STUD STABILIZER SHORT	TSB-CL 2011-0010 BOOST decknoise
37	61935A	1	ARM LIFT RIGHT	
38	61936A	1	ARM LIFT LEFT	
39	61938A	1	GUARD FRONT	
40	80054A	2	SCREW M10 X 40MM	

NOTE 1: Customers ordering parts for machines built before April 2010 need to order 28" Flex Plate Kit 56380210 to replace any or all of these items for repair.

NOTE 2: Order Eccentric & Shield Kit 56380246 to replace these components.

Brush Head Assembly Boost 8

SCRUBTEC 8, 866-871-871C-886

28-02-2013

Part List ID
SCRUB827

32

Pos	Part no.	Qty	Description
41	80103A	2	SCREW 3/8 24 X 1 HEX HEAD
42	80162A	4	NUT M10 1.5 HEX
43	56002155	1	Scr Hex Hd 1/4-20 x .75 replaced by 56002093
44	80296A	5	SCREW 10 24 X 3/8 PHCR TYPE 23
45	80298A	2	SCREW 1/4 20 X 2 HEX CAP
46	80317A	4	WASHER BOWED .455 ID X .740 OD
47	81217A	13	NUT. 1/4-20 X .218H NYLOC
48	88619A	1	SCREW M12 1.75X160MM HEX ZINC
49	56381989	4	BOLT SHOULDER
50	84237A	3	SCREW.10-32 X 1/2 PAN HD
51	85301A	4	SCR 1/4 -20X1&1/4 PN*SS
52	85395A	3	SCREW.1/4-20 X 1/2 PAN HD
53	87607A	4	WASHER. FLAT NYLON
54	88612A	2	WASHER M10 LOCK
55	56381702	1	LABEL BOOST
56	81220A	1	HEX NUT SERRATED FLANGE
57	71017A	2	LABEL MOVING PARTS

NOTE 1: Customers ordering parts for machines built before April 2010 need to order 28" Flex Plate Kit 56380210 to replace any or all of these items for repair.

NOTE 2: Order Eccentric & Shield Kit 56380246 to replace these components.

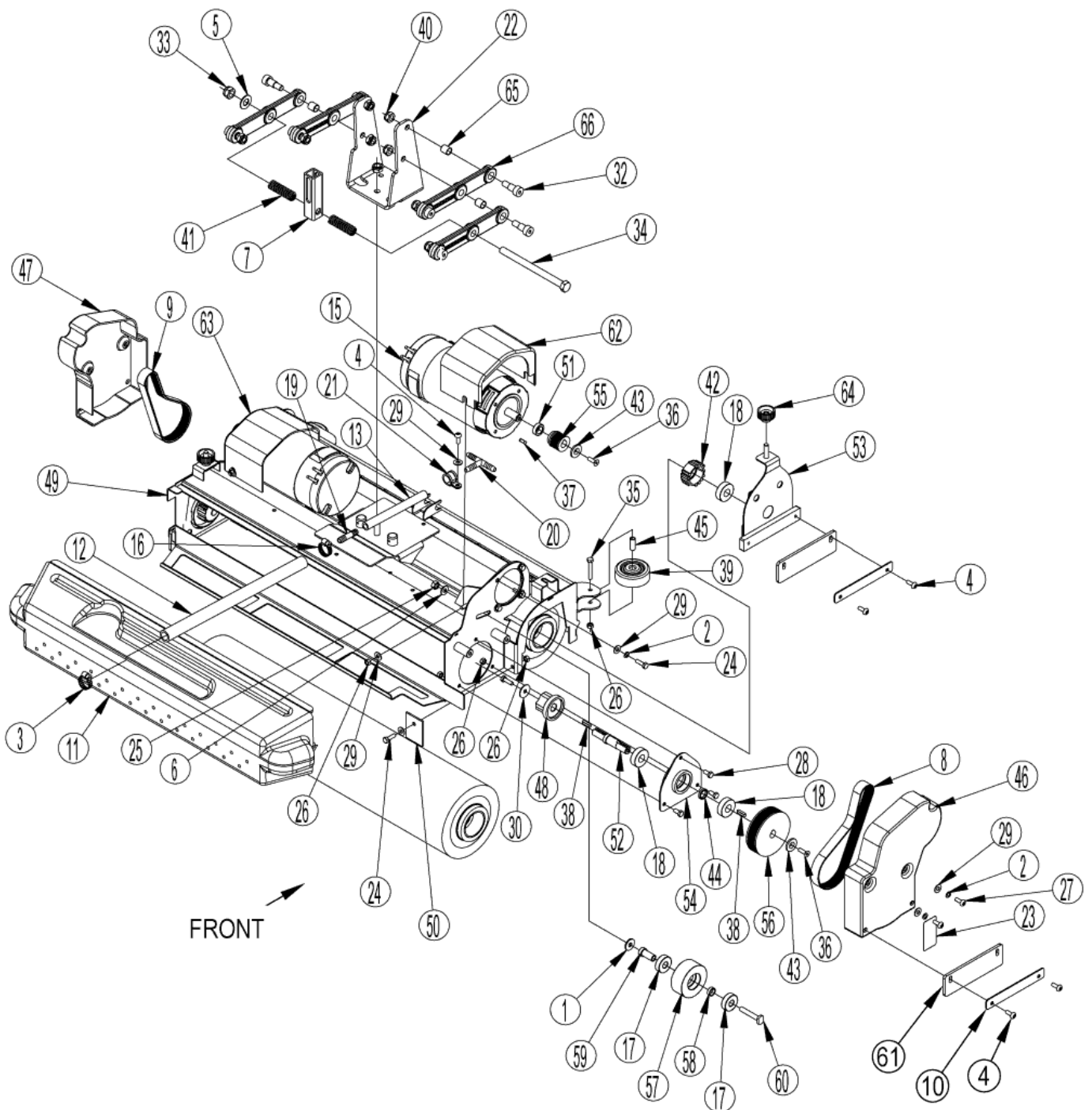
Brush Head Assembly, 871 C

SCRUBTEC 8, 866-871-871C-886

28-02-2013

Part List ID
SCRUB829

33



Brush Head Assembly, 871 C

SCRUBTEC 8, 866-871-871C-886

28-02-2013

Part List ID
SCRUB829

34

Pos	Part no.	Qty	Description
1	170860	2	WASHER FLT 5/16 PLTD
2	170892	12	WASHER.LK 1/4 REG(SS)
3	722030	1	CLAMP.HOSE #6
4	964007	9	SCR M 6.0X1.0 X 16 PN*ST
5	980648	1	WASH-17/32 ID X 1&1/16 OD
6	980651	2	WASHER. 5/16 SAE FLAT
7	56109717	1	TUBE JACK MOTOR
8	909 5760 000	1	BELT POLY-V
9	909 5761 000	1	BELT POLY-V
10	909 5769 000	4	PLATE SPLASH GUARD FIXING
11	909 6225 000	1	CONTAINER DIRT
12	30680A	1	HOSE SOLUTION FLEX
13	30835A	1	HOSE
14	40645A	4	CONNECTER HOUSING PP75 BL ACK
15	41086A	2	MOTOR CYLINDRICAL
16	50248A	1	CLAMP, 3/8 HOSE
17	51126A	4	BEARING-BALL.DBL SEAL
18	51225A	6	BEARING
19	52414A	1	CONNERCTOR HOSE TANK
20	53181A	1	HOSEBARB3/8TPLASTIC
21	54779A	1	CLAMP P 5/8
22	61926A	1	BRACKET HEAD LIFT
23	71017A	2	LABEL MOVING PARTS
24	80195A	12	SCREW M6 1 X 20MM H.H. S.S.
25	80198A	2	NUT M8 1.25 HEX NYLON S.S.
26	80199A	15	NUT, M6-1 HEX NYLON LOCK
27	80208A	4	SCREW M6 1 X 10MM P.P.HD
28	80214A	6	SCREW M6 1 X 12 HEX HD. C.S.
29	87026A	19	WASHER. .250. FLAT. SS
30	87039A	2	WASHER. FENDER 1/4in S.S.
32	88617A	8	SCREW SHOULDER M10 1.5XM12X16M
33	88618A	1	NUT M12 1.75 NYLOCK INSERT
34	88619A	1	SCREW M12 1.75X160MM HEX ZINC
35	88626A	2	SCREW M6 1 X 40MM HEX
36	88642A	4	SCREW M6 1X20MM FLAT HD SOCKET
37	88645A	2	KEY SQUARE M5 X 15MM
38	88646A	4	KEY SQUARE M5 X 20MM
39	L08602460	2	WHEEL
40	80223A	9	NUT
41	E04016	2	SPRING
42	56407551	2	HUB
43	145 5828 000	4	SPACER
44	146 1232 000	2	SPACER D.15XD.20X4

Brush Head Assembly, 871 C

SCRUBTEC 8, 866-871-871C-886

28-02-2013

Part List ID
SCRUB829

35

Pos	Part no.	Qty	Description
45	909 5710 000	2	SPACER
46	909 5724 000	1	CRANKCASE,BELT PROTECTION RIGHT
47	909 5725 000	1	CRANKCASE,BELT PROTECTION LEFT
48	909 5728 000	2	HUB, BRUSH
49	909 5751 000	1	FRAME CYLINDRICAL DECK
50	909 5752 000	2	GUARD SPLASH CYL.DECK
51	909 5754 000	2	SPACER 14X22X 8
52	909 5755 000	2	PIN BRUSH PULLEY
53	909 5756 000	2	SUPPORT BRUSH
54	909 5757 000	2	SUPPORT BRUSH PULLEY
55	909 5758 000	2	PULLEY
56	909 6361 000	2	PULLEY KIT
57	909 5762 000	2	ROLLER,BELT TENSIONER
58	909 5764 000	2	SPACER 12.5X16X
59	909 5765 000	2	BUSHING COLLARED
60	909 5766 000	2	PIN
61	909 5770 000	4	GUARD SPLASH CYL.DECK
62	909 5802 000	1	CRANKCASE,MOTOR PROTECT.
63	909 5803 000	1	CRANKCASE,MOTOR PROTECT.
64	909 5964 000	2	KNOB MB
65	56112548	8	BUSHING
66	56382618	4	LEVER KIT

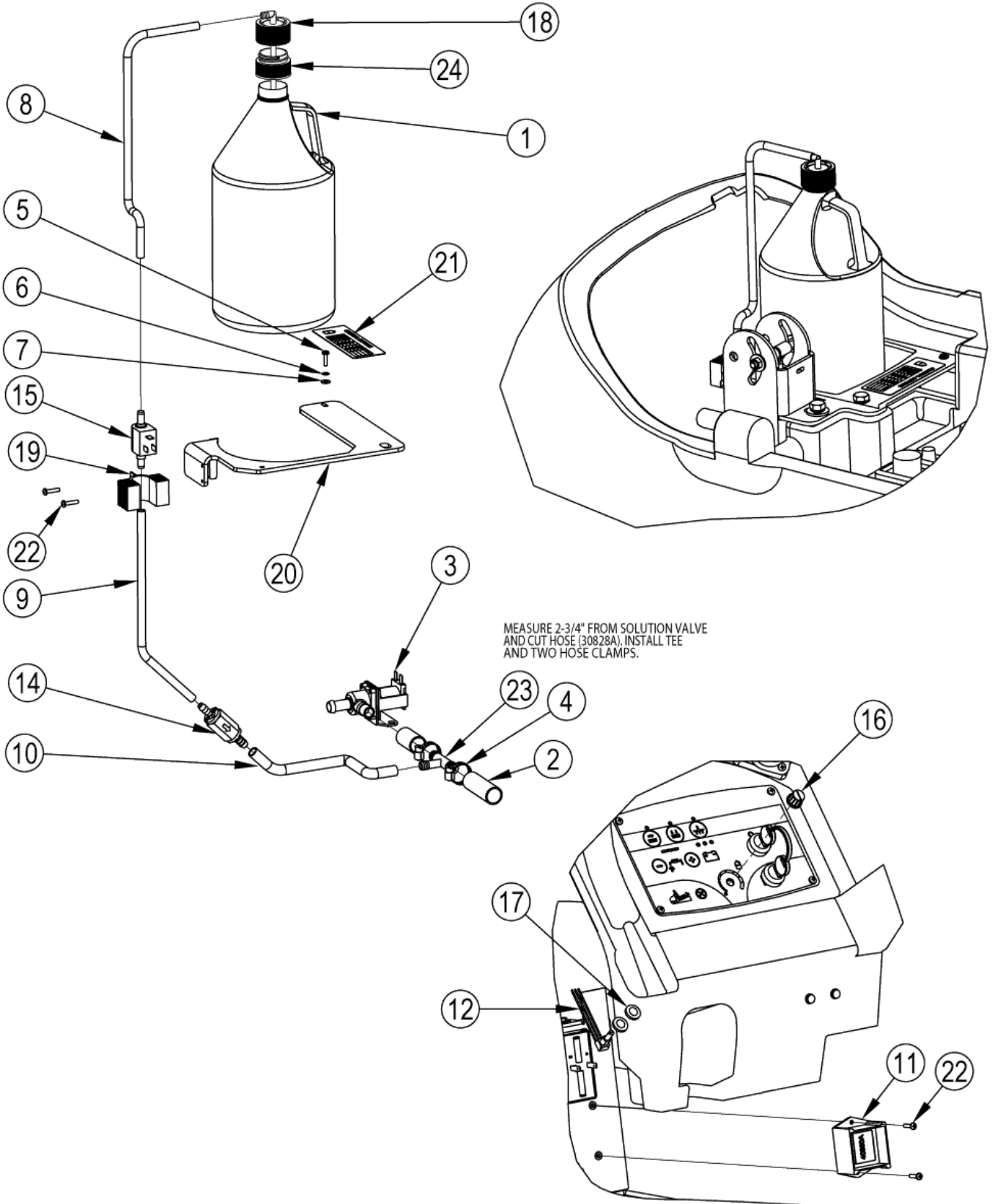
Chemical Mixing Kit

SCRUBTEC 8, 866-871-871C-886

28-02-2013

Part List ID
SCRUB831

36



Chemical Mixing Kit

SCRUBTEC 8, 866-871-871C-886

28-02-2013

Part List ID
SCRUB831

37

Pos	Part no.	Qty	Description	
1		1	NOTE COMMENT	Bottle not available, use bottle from chemical sup
2		1	NOTE COMMENT	See frame assembly
3		1	NOTE COMMENT	See frame assembly
4	722030	2	CLAMP.HOSE #6	
5	964002	1	SCR M 4.0X0.7X16 PN ST	
6	980621	1	WASHER. #8 EXT. TOOTH PLT	
7	980982	1	WASHER. #10 SAE FLAT PLTD	
8	39725A	1	TUBE 1/4 ID X 15 1/4	
9	39726A	1	TUBE 1/4 ID X 5 1/2	
10	39727A	1	TUBE 3/8 ID X 11 1/2	
11	40850A	1	MODULE SOLUTION	
12	41084A	1	HARNESS CHEMICAL	
13	53186A	10	WIRE TIE 1/8 X 14.5 BLK	Not Shown
14	53719A	1	VALVE CHECK	
15	53721A	1	PUMP CHEMICAL	
16	53736A	1	KNOB ADJUSTMENT	
17	87618A	2	WASHER FLT .75X.39X.62 NYLON	
18	54778A	1	ADAPTER CAP 38MM	
19	61772A	1	BRACKET CHEMICAL PUMP	
20	61954B	1	CHEMICAL JUG BRACKET	
21	71489A	1	LABEL CHEMICAL SETTING	
22	962027	4	SCREW. 8-32 X 1/2 PAN HD	
23	88644A	1	TEE REDUCING 1/2 TO 3/8	
24	9097023000	1	ADAPTOR CHEMICAL TANK	

RECOMMENDED SPARE PARTS

SCRUBTEC 8, 866-871-871C-886

28-02-2013

Part List ID

SCRUB851

38

No Drawing For Part List

RECOMMENDED SPARE PARTS

SCRUBTEC 8, 866-871-871C-886

28-02-2013

Part List ID
SCRUB851

39

Pos	Part no.	Qty	Description	
0	10398A	1	SQUEEGEE ASSY 32.5	866
0	10399A	1	SQUEEGEE ASSY 35	871, 8, 878 C
0	10748A	1	SQUEEGEE ASSY 41	886
0	11131A	1	CONTROL ASM HANDLE SWITCH	
0		1	ISOLATOR UPPER KIT	Boost 8
0	146 2888 000	1	SWITCH KEY WITH CAP	
0	30412A	1	HOSE. SOLUTION (VISION)	866, 871, 886
0	30680A	1	HOSE SOLUTION FLEX	871 C
0	30792A	1	HOSE SOLUTION	
0	30799A	1	HOSE DRAIN	
0	30832A	1	HOSE SQUEEGEE	
0	34400B	1	GIMBAL.MOTOR.2000/2400 LE	866, 871, 886
0	39718A	1	GASKET	
0	40002A	1	SWITCH.FLOAT.ELECTRICAL	
0	40261A	1	BRUSH CARBON	886
0	40628A	1	BRUSH CARBON MOTOR	
0		1	HARNESS, POTENTIOMETER	
0	40826A	1	BRUSH ASM.CARBON (V32I/26	866, 871
0	41046A	1	BRUSH MOTOR	886
0	41067A	1	BOARD FUNCTION BOARD FUNCTION	
0	41068B	1	CONTROLLER I DRIVE 24V	
0	41069B	1	RELAY 24VDC MINI ISO	
0	41073A	1	FUSE 30A	
0	41074A	1	FUSE 60A	
0	41075A	1	RELAY	
0	41077A	1	CHARGER BATTERY	
0	41081A	1	CORD CHARGER NEMA	
0		1	CORD CHARGER SCHUKO	
0	41086A	1	MOTOR CYLINDRICAL	872 C
0	41422B	1	CIRCUIT BREAKER.25A	878 C
0	41431B	1	CIRCUIT BREAKER-35A.SCR.T ERM.	866, 871, 886, 8
0	44809B	1	GEARMOTOR, 200 RPM,24V, 1	866, 871
0	50736A	1	BALL BEARING (OBS-18)	Boost 8
0		1	TRANSAXLE MOTOR	
0	51225A	1	BEARING	873 C
0	52556A	1	PUSH BUTTON SWITCH ENCORE 17	
0		1	FLANGE WHEEL KIT	
0	56380188	1	FLEX PLATE ASSY 28	Boost 8
0	56380211	1	KIT FLEX PLATE 3	
0	56380235	1	ISOLATOR KIT BOOST	Boost 8
0	56381491	1	PLATE DRIVER	Boost 8
0	56382501	1	FUNCTION BOARD SERVICE KIT	
0	56390072	1	MOTOR 24VDC	Boost 8

9097621000 WHEEL REAR CASTOR KIT WILL SOON BE REPLACED BY THE SINGLE WHEEL 909 5202 000

RECOMMENDED SPARE PARTS

SCRUBTEC 8, 866-871-871C-886

28-02-2013

Part List ID
SCRUB8851

40

Pos	Part no.	Qty	Description
0	56412179	1	Contactora
0	56412287	1	BRUSH / SPRING KIT (1 PER MOTOR) Boost 8
0	58069A	1	SCREEN VAC FILTER ENCORE
0	59789A	1	ELECTRIC VALVE (KIT 14669 A)
0	61775A	1	RETAINER BEARING Boost 8
0	909 5760 000	1	BELT POLY-V 875 C
0	909 5761 000	1	BELT POLY-V 876 C
0	909 5770 000	1	GUARD SPLASH CYL.DECK 877 C
0	9097402000	1	JACK MOTOR
0	9097404000	1	FILTER,WATER
0	9097466000	1	MOTOR VACUUM KIT
0	9097621000	1	WHEEL REAR CASTOR KIT

9097621000 WHEEL REAR CASTOR KIT WILL SOON BE REPLACED BY THE SINGLE WHEEL 909 5202 000

Accessories 1

SCRUBTEC 8, 866-871-871C-886

28-02-2013

Part List ID
SCRUB853

41

No Drawing For Part List

Accessories 1

SCRUBTEC 8, 866-871-871C-886

28-02-2013

Part List ID
SCRUB853

42

Pos	Part no.	Qty	Description	
0	80542425	1	CHARGER HF 24V 25A SB120R CH8	
0	9097597000	1	CHARGER BATTERY CPL KIT 24V 25A	
2	11363A	1	CHEMICAL MIXING	
3	11371A	1	HOUR METER KIT	
4	56112221	1	KIT PARKING BRAKE	
5	14607A	1	KIT. CLARKE CARE	
6	53391A	1	BTY MAINT. SYSTEM KIT 24 V	
7	10398A	1	SQUEEGEE ASSY 32.5	
8	10399A	1	SQUEEGEE ASSY 35	
9	10748A	1	SQUEEGEE ASSY 41	
10	997002	1	PAD, WHITE 14X28 5-PK	SCRUBTEC BOOST 8
11	997001	1	PAD, RED 14X28 5-PK	SCRUBTEC BOOST 8
12	997006	1	PAD BLUE 14 X 28	SCRUBTEC BOOST 8
13	997018	1	PAD MAROON 14 X 28 CS/10EA	SCRUBTEC BOOST 8
14	997000	1	PAD, BLACK 14X28 5-PK	SCRUBTEC BOOST 8
18	30794A	1	VELCRO 2 SIDE SHT 14X28 BOOST	SCRUBTEC BOOST 8
19	11332A	1	SQUEEGEE	SCRUBTEC BOOST 8
20	11338A	1	SQUEEGEE BLADE KIT 35 LIN ATEX	SCRUBTEC BOOST 8
21	11335A	1	GUM SQUGEE KIT	SCRUBTEC BOOST 8
22	38035A	1	DRIVER PAD 13" GIMBAL	SCRUBTEC BOOST 866
23	11438A	1	POLYPROP BRUSH ASSM L MDL	SCRUBTEC BOOST 866
24	11437A	1	NYLN BRUSH ASSM 13" L MDL	SCRUBTEC BOOST 866
25	10382A	1	BRUSH LITE GRIT 13"	SCRUBTEC BOOST 866
26	11439A	1	CLN GRIT BRUSH 13" L MDL	SCRUBTEC BOOST 866
27	11440A	1	GRIT BRUSH ASSM 13" L MDL	SCRUBTEC BOOST 866
28	11333A	1	SQUEEGEE BLADE KIT 32.5IN URETHANE	SCRUBTEC BOOST 866
29	11339A	1	SQUEEGEE BLADE KIT 32.5 LINAT	SCRUBTEC BOOST 866
30	11336A	1	SQUEEGEE BLADE KIT 32.5IN GUM	SCRUBTEC BOOST 866

Accessories 2

SCRUBTEC 8, 866-871-871C-886

28-02-2013

Part List ID
SCRUB855

43

ACCESSORIES

Scrubtec 871

<u>Description</u>	<u>Part No.</u>	<u>Description</u>	<u>Part No.</u>
Pad Driver & Brushes		35" Squeegee Blades (front & rear)	
Pad Driver (14")	38036A	Urethane Squeegee Blade Kit	11332A
Poly Brush (14")	11427B	Linatex Squeegee Blade Kit	11338A
Soft Nylon Brush (14")	10874A	Gum Squeegee Blade Kit	11335A
Lite Grit Brush (14")	10383A		
Medium Grit Brush (14")	11431B		
Heavy Grit Brush (14")	11426B		

Scrubtec 886

<u>Description</u>	<u>Part No.</u>	<u>Description</u>	<u>Part No.</u>
Pad Driver & Brushes		41" Squeegee Blades (front & rear)	
Pad Driver (17")	38034A	Urethane Squeegee Blade Kit	11331A
Poly Brush (17")	11424B	Linatex Squeegee Blade Kit	11337A
Soft Nylon Brush (17")	10875A	Gum Squeegee Blade Kit	11334A
Lite Grit Brush (17")	10384A		
Medium Grit Brush (17")	11430B		
Heavy Grit Brush (17")	11425B		

Scrubtec 871C

<u>Description</u>	<u>Part No.</u>	<u>Description</u>	<u>Part No.</u>
Brushes		35" Squeegee Blades (front & rear)	
#Poly Brush (5.7" dia.)	56412046	Urethane Squeegee Blade Kit	11332A
#Soft Nylon Brush (5.7" dia.)	56412191	Linatex Squeegee Blade Kit	11338A
#Hard Nylon Brush (5.7" dia.)	56412192	Gum Squeegee Blade Kit	11335A
#Lite Grit Brush (5.7" dia.)	56412193		
#Medium Grit Brush (5.7" dia.)	56412194		
#Heavy Grit Brush (5.7" dia.)	56412195		

= Revised or new since last update

Accessories 2

SCRUBTEC 8, 866-871-871C-886

28-02-2013

Part List ID
SCRUB8856

44

Pos	Part no.	Qty	Description	
1	38036A	1	DRIVER PAD 14IN GIMBAL	SCRUBTEC BOOST 871
2	11427B	1	BRUSH ASM..POLYPROPLENE 1	SCRUBTEC BOOST 871
3	10874A	1	BRUSH, 28" NYLON	SCRUBTEC BOOST 871
4	10383A	1	BRUSH, ASM LITE GRIT 14"	SCRUBTEC BOOST 871
5	11431B	1	BRUSH ASM.. GRIT MEDIUM (SCRUBTEC BOOST 871
6	11426B	1	BRUSH ASM.. GRIT HEAVY (SCRUBTEC BOOST 871
10	38034A	1	DRIVER PAD 17 GIMBAL	SCRUBTEC BOOST 886
11	11424B	1	BRUSH ASM..POLYPROPYLENE	SCRUBTEC BOOST 886
12	10875A	1	BRUSH, 17" NYLON	SCRUBTEC BOOST 886
13	10384A	1	LITE GRIT BRUSH 17in	SCRUBTEC BOOST 886
14	11430B	1	BRUSH ASM.. GRIT MEDIUM (SCRUBTEC BOOST 886
15	11425B	1	BRUSH ASM.. GRIT HEAVY (1	SCRUBTEC BOOST 886
20	56412046	1	CYLINDRICAL BRUSH 680MM 28in POLYPROPYLENE	SCRUBTEC BOOST 871C
21	56412191	1	CYLINDRICAL BRUSH 680MM 28in SOFT NYLON	SCRUBTEC BOOST 871C
22	56412192	1	CYLINDRICAL BRUSH 680MM 28in HARD NYLON	SCRUBTEC BOOST 871C
23	56412193	1	CYLINDRICAL BRUSH 680MM 28in 180 GRIT	SCRUBTEC BOOST 871C
24	56412194	1	CYLINDRICAL BRUSH 680MM 28in 80 GRIT	SCRUBTEC BOOST 871C
25	56412195	1	CYLINCRICAL BRUSH 680MM 28in 46 GRIT	SCRUBTEC BOOST 871C
30	11332A	1	SQUEEGEE	35" Squeegee Blades
31	11338A	1	SQUEEGEE BLADE KIT 35 LIN ATEX	35" Squeegee Blades
32	11335A	1	GUM SQUGEE KIT	35" Squeegee Blades
40	11331A	1	SQUEEGEE BLADE KIT 41 URETHANE	41" Squeegee Blades
41	11337A	1	SQUEEGEE BLADE KIT 41 LIN ATEX	41" Squeegee Blades
42	11334A	1	SQUEEGEE BLADE KIT 41 GUM	41" Squeegee Blades
50	11332A	1	SQUEEGEE	35" Squeegee Blades
51	11338A	1	SQUEEGEE BLADE KIT 35 LIN ATEX	35" Squeegee Blades
52	11335A	1	GUM SQUGEE KIT	35" Squeegee Blades

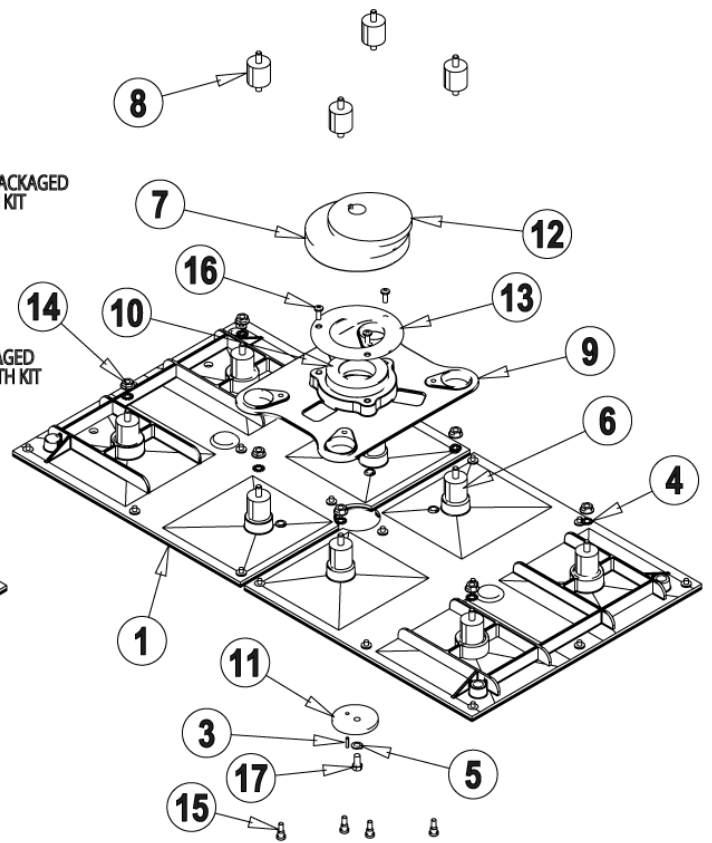
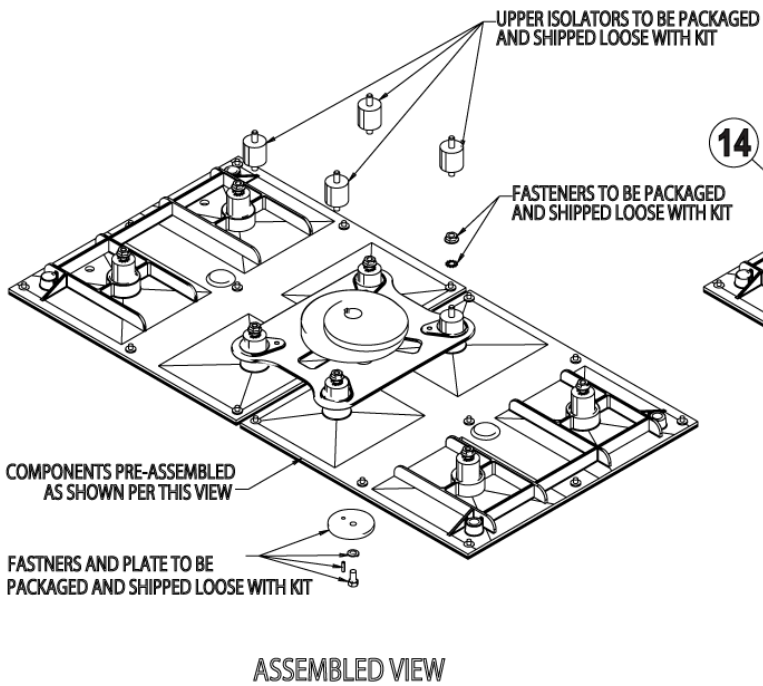
56380210/56380211 - Flex Plate 28/32 Kit

SCRUBTEC 8, 866-871-871C-886

28-02-2013

Part List ID
IS56090041

45



56380210/56380211 - Flex Plate 28/32 Kit

SCRUBTEC 8, 866-871-871C-886

28-02-2013

Part List ID
IS56090041

46

Pos	Part no.	Qty	Description	
0	56380210	2	KIT FLEX PLATE 2	
0	56380211	1	KIT FLEX PLATE 3	
1	56380187	1	FLEX PLATE	
1	56380188	1	FLEX PLATE ASSY 28	
2		1	NOTE COMMENT	Loctite 242 Compound Blue 0.5
3	925589	1	1/8 X 1/2 PIN ROLL	
4	980614	8	WASHER LK 1/4 EXT TOOTHPLTD	
5	980657	1	WASHER.LK 1/4 STD	
6	56380190	8	ISOLATOR 30 DURO 1/4 20	
7	56380192	1	SHIELD BOOST BEARING	
8		4	NOTE COMMENT	Isolator-40 Duro 1/4-20
9	56381491	1	PLATE DRIVER	
10	50736A	1	BALL BEARING (OBS-18)	
11	61724A	1	RETAINER ECCENTRIC	
12		1	NOTE COMMENT	Eccentric
13	61775A	1	RETAINER BEARING	
14	81220A	8	HEX NUT SERRATED FLANGE	
15	56381989	1	BOLT SHOULDER	
16	84237A	3	SCREW. 10-32 X 1/2 PAN HD	
17	85737A	1	SCREW. 1/4-20 X 5/8 HEX H D SS	
K1	56380246	1	KIT ECCENTRIC SHIELD	Includes pos. 3, 7, 12
K2	56380235	1	ISOLATOR KIT BOOST	Includes pos. 2, 4, 6, 8, 14

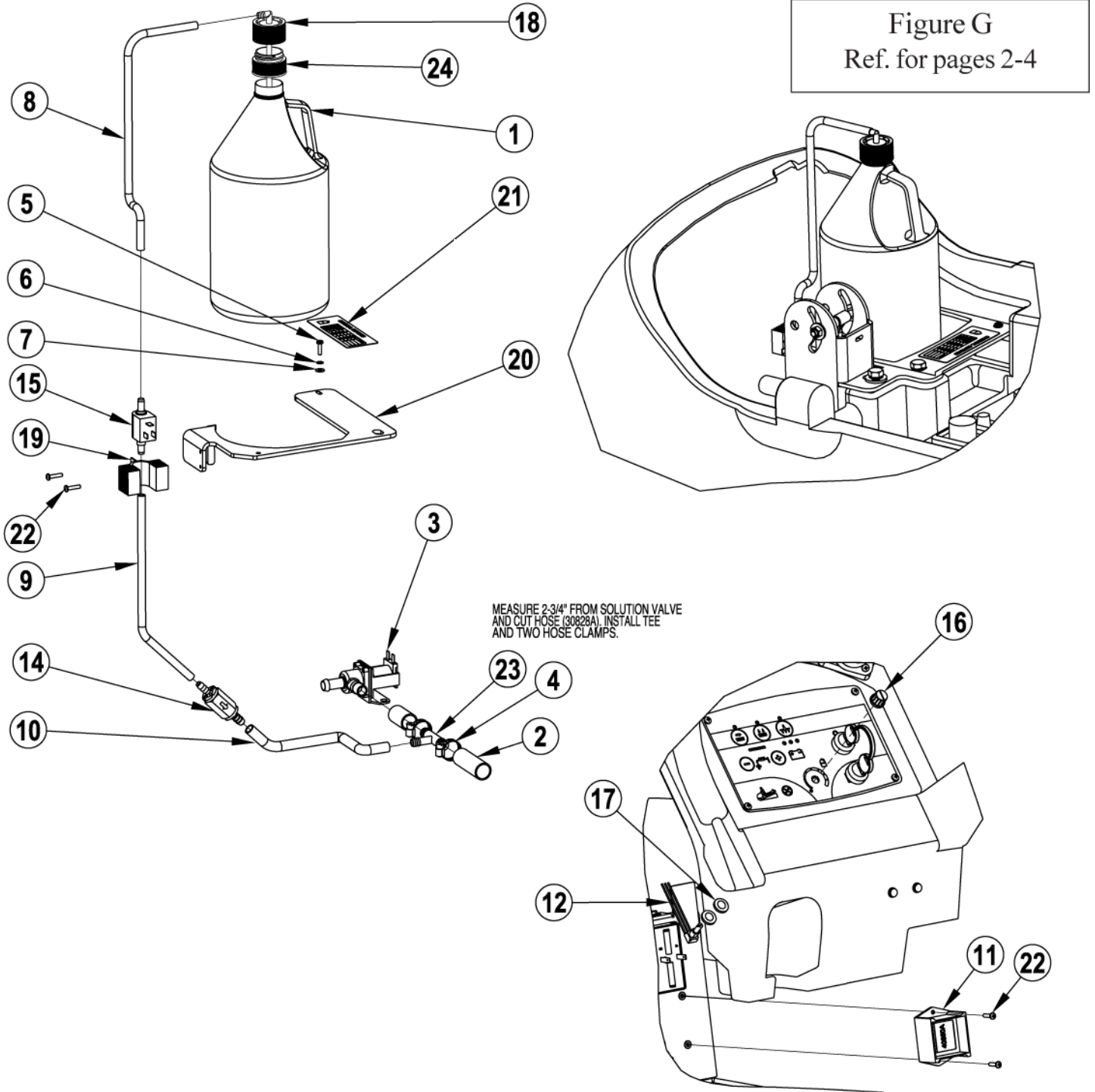
11363A - Chemical Mixing System

SCRUBTEC 8, 866-871-871C-886

28-02-2013

Part List ID
IS71490A

47



11363A - Chemical Mixing System

SCRUBTEC 8, 866-871-871C-886

28-02-2013

Part List ID
IS71490A

48

Pos	Part no.	Qty	Description	
0	11363A	1	CHEMICAL MIXING	
1		1	NOTE COMMENT	REF. CLEANING SOLUTION BOTTLE
2		1	NOTE COMMENT	REF. FROM FRAME ASM.
3		1	NOTE COMMENT	REF. VALVE FROM FRAME ASM.
4	722030	2	CLAMP.HOSE #6	
5	964002	1	SCR M 4.0X0.7X16 PN ST	
6	980621	1	WASHER. #8 EXT. TOOTH PLT	
7	980982	1	WASHER. #10 SAE FLAT PLTD	
8	39725A	1	TUBE 1/4 ID X 15 1/4	
9	39726A	1	TUBE 1/4 ID X 5 1/2	
10	39727A	1	TUBE 3/8 ID X 11 1/2	
11	40850A	1	MODULE SOLUTION	
12	41084A	1	HARNESS CHEMICAL	
13	53186A	10	WIRE TIE 1/8 X 14.5 BLK	NOT ILLUSTRATED
14	53719A	1	VALVE CHECK	
15	53721A	1	PUMP CHEMICAL	
16	53736A	1	KNOB ADJUSTMENT	
17	87618A	2	WASHER FLT .75X.39X.62 NYLON	
18	54778A	1	ADAPTER CAP 38MM	
19	61772A	1	BRACKET CHEMICAL PUMP	
20	61954B	1	CHEMICAL JUG BRACKET	
21	71489A	1	LABEL CHEMICAL SETTING	
22	85614A	4	SCREW8 32X3/4 PAN HD	
23	88644A	1	TEE REDUCING 1/2 TO 3/8	
24	9097023000	1	ADAPTOR CHEMICAL TANK	FOR SUTTER BOX