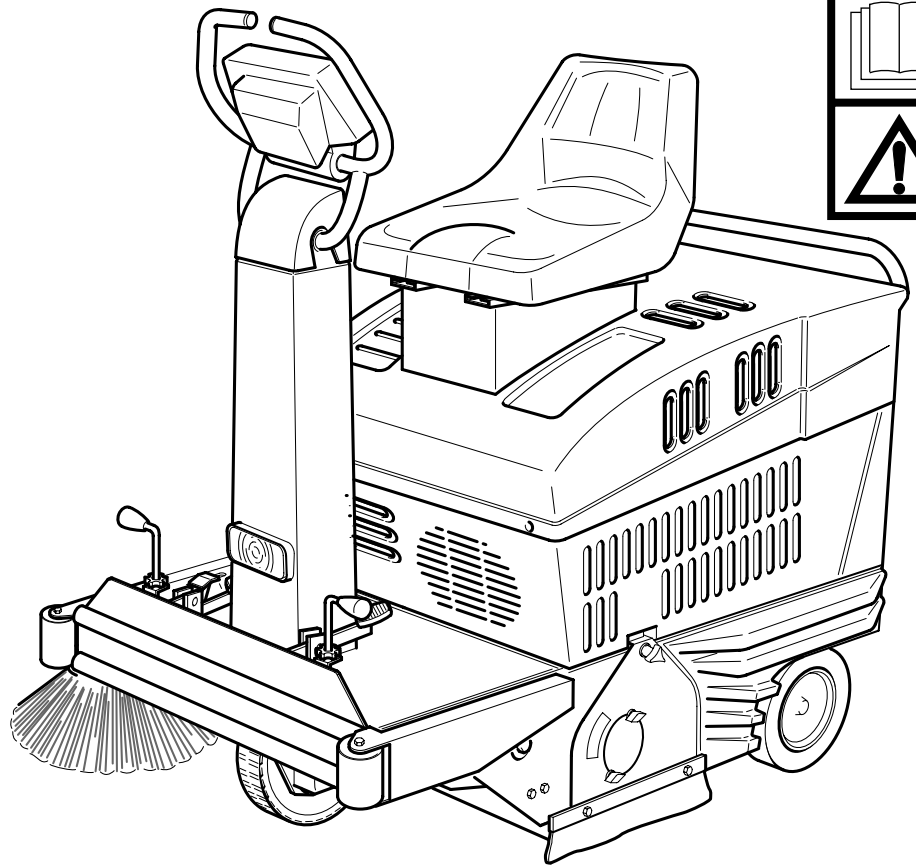


# SWEeper

SR 1005 P / B



Catalogo ricambi  
Spare parts catalogue  
Liste des piéces détachées  
Ersatzteilliste

TAV A / DRAW. A/ VUE A/ ZEICHN.A:	GRUPPO CARENATURA/ FRAME ASSEMBLY	1-4
TAV B / DRAW. B/ VUE B/ ZEICHN.B:	GRUPPO FILTRO/ FILTER ASSEMBLY	5-6
TAV C / DRAW. C/ VUE C/ ZEICHN.C:	CONTENITORE RIFIUTI/ HOPPER	7-8
TAV D / DRAW. D/ VUE D/ ZEICHN.D:	CARENATURA INFERIORE/ SKIRT ASSEMBLIES	9-10
TAV E / DRAW. E/ VUE E / ZEICHN.E:	GRUPPO SPAZZOLA CENTRALE/ MAIN BROOM ASSEMBLY	11-12
TAV F / DRAW. F/ VUE F/ ZEICHN.F:	GRUPPO SPAZZOLA LATERALE/ SIDE BROOM ASSEMBLY	13-14
TAV G / DRAW. G/ VUE G/ ZEICHN.G:	GRUPPO TRAZIONE/ DRIVE SYSTEM	15-16
TAV H/ DRAW. H/ VUE H/ ZEICHN.H:	GRUPPO ASPIRAZIONE/ FAN SYSTEM	17-18
TAV I / DRAW. I VUE I/ ZEICHN.I:	SISTEMA ELETTRICO/ ELECTRICAL SYSTEM	19-20
TAV L / DRAW. L/ VUE L/ ZEICHN.L:	GRUPPO STERZO / STEERING SYSTEM	21-24
TAV M / DRAW. M/ VUE M/ ZEICHN. M :	MOTORE BENZINA / PETROL ENGINE ASSEMBLY	25-26
TAV N / DRAW. N/ VUE N/ ZEICHN.N :	ACCESSORI PRINCIPALI/ MAIN ACCESSORIES	27-32
LISTA RICAMBI CONSIGLIATI / LIST OF RECOMMENDED SPARE PARTS		33

VERSIONE A BENZINA  
PETROL VERSION  
VERSION A ESSENCE  
BENZIN AUSFUEHRUNG

VERSIONE A BATTERIA  
BATTERY VERSION  
VERSION A BATTERIE  
BATTERIE AUSFUEHRUNG

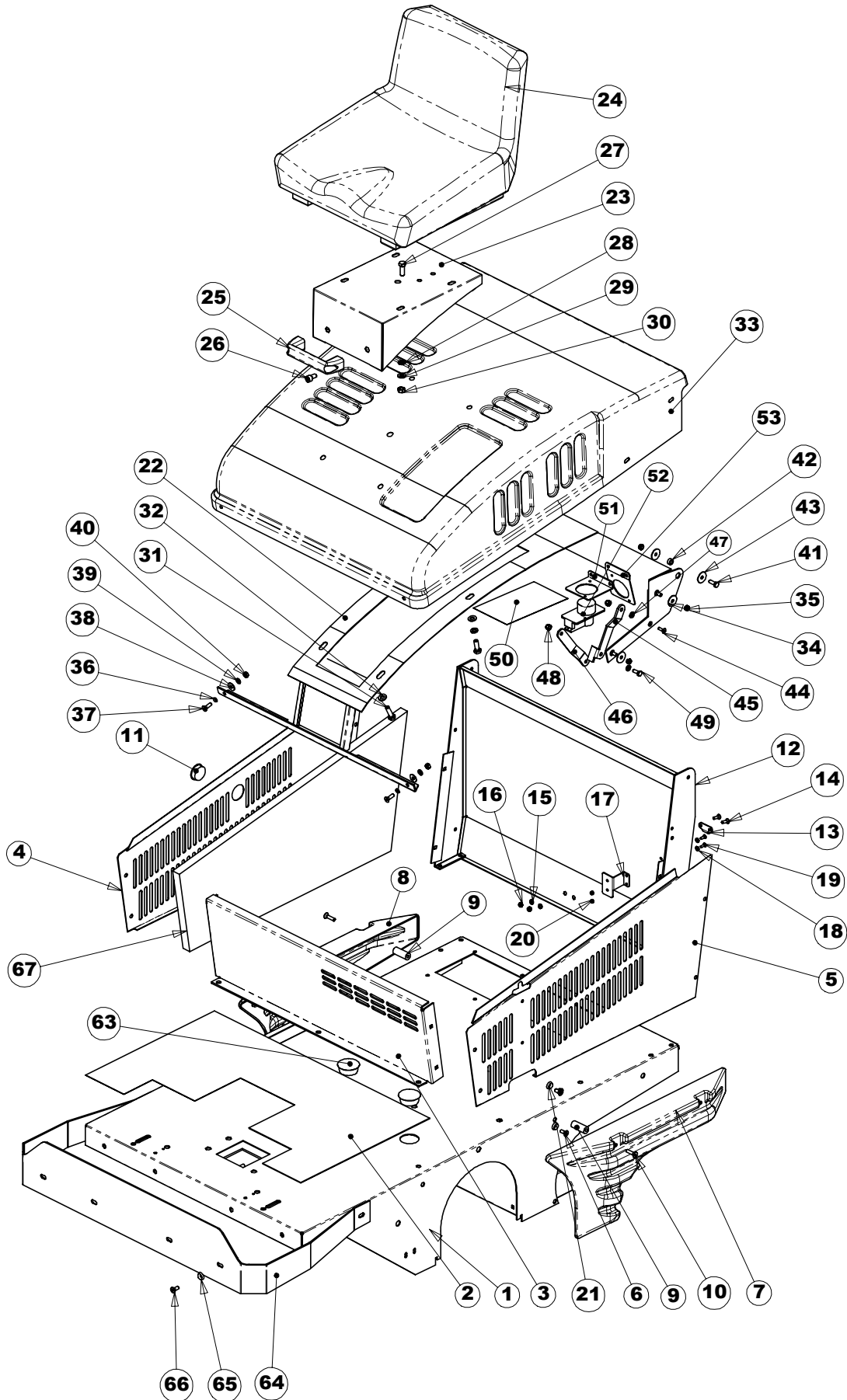
POSIZ ITEM POS EINSAT	CODICE CODE CODE NUMMER	INTERNO INTERNAL INTERIEUR INTERNE	DESCRIZIONE DESCRIPTION DESCRIPTION BEZEICHNUNG	B	P
1	145 5650 000		TELAIO / FRAME / CHASSIS / RAHMEN	1	
2	145 5667 000		SUPPORTO PORTELLI LATERALI / SUPPORT / SUPPORT / HALTER	2	
3	#145 5668 000		PORTELLO DESTRO / RIGHT HATCH / REGARD DR. / REC. Klappe	1	
4	145 5669 000		PORTELLO SINISTRO / LEFT HATCH / REGARD GAU. / LIN. Klappe	1	
	New item number or modification				

#### WHEN ORDERING PARTS

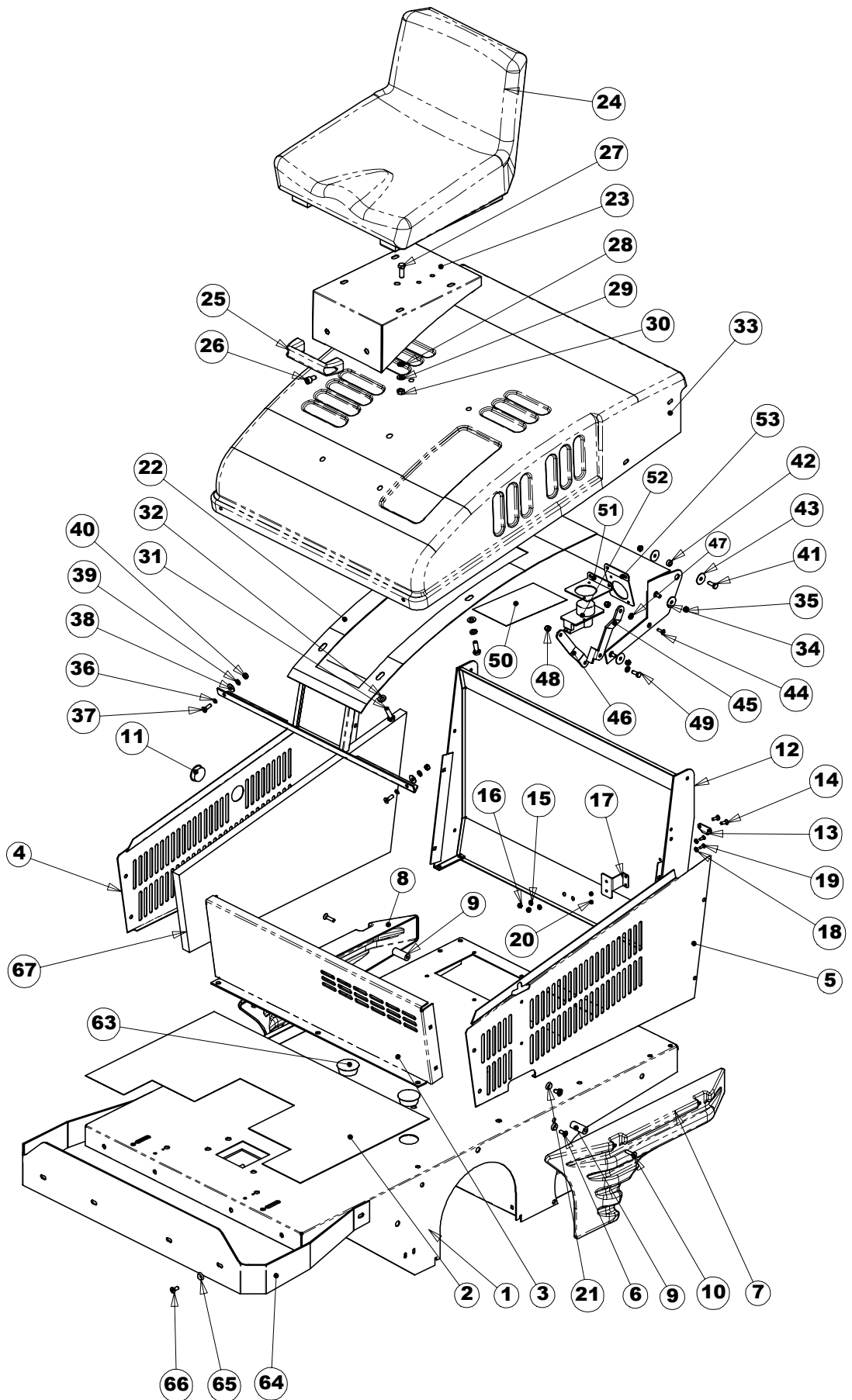
Specify the model and the serial number of the machine

Use the space below to record the model and serial number for future reference

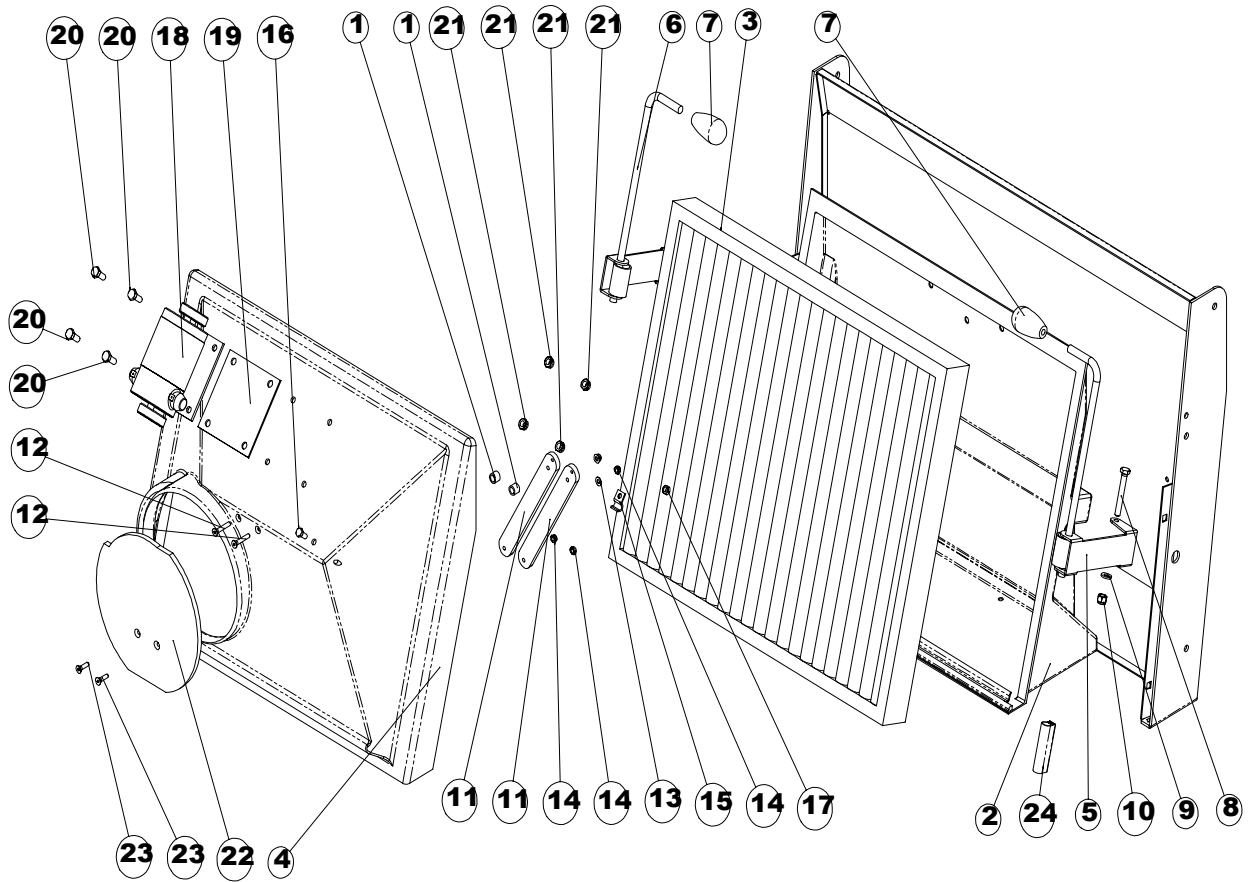
Model \_\_\_\_\_ Serial Number \_\_\_\_\_



POSIZ ITEM POS EINSAT	CODICE CODE CODE NUMMER	INTERNO INTERNAL INTERIEUR INTERNE	DESCRIZIONE DESCRIPTION DESCRIPTION BEZEICHNUNG	B	P
1	146 0185 000		TELAIO/ FRAME/ CHASSIS/ RAHMEN	1	1
2	145 1254 000	H02.34670	TAPPETINO/ MAT BOARD/ TAPIS/ TEPPICH	1	1
3	146 0200 000		CARENATURA INFERIORE/ LOWER COVER/ BATI INFERIEUR/ VERKLEIDUNG	1	1
4	146 0201 000		CARENATURA LAT. DX/ RIGHT COVER/ BATI DROITE/ RECHTE VERKLEIDUNG	1	1
5	146 0202 000		CARENATURA LAT.SX/ LEFT COVER/ BATI GAUCHE/ LINKE VERKLEIDUNG	1	1
6	145 4488 000	V03.004	VITE TSPEI M 65X16/ SCREW/ VIS/ SCHRAUBE	8	8
7	145 1243 000	H01.26250	COPRIRUOTA LAT. SX/ LEFT WHEEL COVER/ ROUE COUVRE GAUCHE/ LINKE RADDECKUNG	1	1
8	145 1242 000	H01.26240	COPRIRUOTA LAT. DX/ RIGHT WHEEL COVER/ ROUE COUVRE DROITE/ RECHTE RADDECKUNG	1	1
9	145 5031 000		DISTANZIALE 6X15X37/ SPACER/ ENTRETOISE/ ABSTANDSTUECK	2	2
10	145 0568 000	V03.04410	VITE TSPEI 6X25 INOX/ SCREW/ VIS/ SCHRAUBE	4	4
11	145 9835 000	L02.05500	TAPPO A SCATTO D.35/ CAP/ BOUCHON/ PFROPFEN	1	
12	146 0186 000		CARENATURA POSTERIORE/ REAR COVER/ BATI ARRIERE/ HINTERE VERKLEIDUNG	1	1
13	145 9148 000	F02.414	PIASTRINA/ PLATE/ PLAQUE/ LASCHE	1	1
14	145 5065 000	V03.019	VITE TSPEI M 5X16/ SCREW/ VIS/ SCHRAUBE	2	2
15	145 9133 000	V09.003	RONDELLA PIANA 5X10/ WASHER/ RONDELLE/ BEILAGSCHEIBE	2	2
16	145 9134 000	V13.003	DADO E M 5/ NUT/ ECROU/ MUTTER	2	2
17	146 0296 000		STAFFA/ BRACKET/ SUPPORT/ BUEGEL	1	-
18	145 4514 000	V11.03200	RONDELLA SVASATA 4X10/ WASHER/ RONDELLE/ BEILAGSCHEIBE	2	2
19	145 8959 000	V03.03303	VITE TSPEI M 4X12/ SCREW/ VIS/ SCHRAUBE	2	2
20	145 9125 000	V13.06100	DADO AUTOBLOCCANTE M4/ SELF LOCKING NUT/ ECROU/ MUTTER	2	2
21	145 1129 000	V11.02330	RONDELLA SVASATA 6X16/ WASHER/ RONDELLE/ BEILAGSCHEIBE	3	3
22	146 0203 000		SUPPORTO COFANO/ BONNET HOLDER/ CAPOTAGE SUPPORT/ MOTORHAUBE HALTER	1	1
23	145 1260 000	F00.66370	SUPPORTO SEDILE/ SEAT SUPPORT/ SIEGE SUPPORT/ SITZ SUPPORT	1	1
24	145 1782 000		SEDILE CON MICRO/ SEAT W. MICROSWITCH/ SIEGE AVEC INTERUPTEUR/ SITZ MIT MICROSCHALTER	1	1
25	145 9752 000	L02.08200	MANIGLIA/ HANDLE/ POIGNEE/ HANDGRIFF	1	1
26	145 9759 000	V01.015	VITE TCEI M 8X16/ SCREW/ VIS/ SCHRAUBE	2	2
27	145 9116 000	V02.014	VITE TE M 8X25/ SCREW/ VIS/ SCHRAUBE	4	4
28	145 4512 000	V11.005	RONDELLA SP.8/ WASHER/ RONDELLE/ BEILAGSCHEIBE	4	4
29	145 9120 000	V09.005	RONDELLA P.8X17/ WASHER/ RONDELLE/ BEILAGSCHEIBE	4	4
30	145 9123 000	V13.005	DADO E M 8/ NUT/ ECROU/ MUTTER	8	8
31	145 9281 000	V02.015	VITE TE 8X30/ SCREW/ VIS/ SCHRAUBE	4	4
32	145 9126 000	V19.005	RONDELLA DENT.A D18/ WASHER/ RONDELLE/ BEILAGSCHEIBE	4	4
33	146 0240 000		COFANO RAL 7001/ BONNET RAL 7001/ CAPOTAGE RAL 7001/ MOTORHAUBE RAL 7001	-	1
33	146 0210 000		COFANO RAL 7001/ BONNET RAL 7001/ CAPOTAGE RAL 7001/ MOTORHAUBE RAL 7001	1	-
34	145 9129 000	V09.012	RONDELLA PIANA 6X18/ WASHER/ RONDELLE/ BEILAGSCHEIBE	6	6
35	145 0407 000	V13.05900	DADO AUTOBLOCCANTE BASSO M6/ SELFLOCKING NUT/ ECROU/ MUTTER	6	6
36	145 4514 000	V11.03200	RONDELLA SVASATA 4X10/ WASHER/ RONDELLE/ BEILAGSCHEIBE	2	2
37	145 1259 000	V03.020	VITE TSPEI M 6X20/ SCREW/ VIS/ SCHRAUBE	2	2
38	145 9229 000	V09.022	RONDELLA P.6X18/ WASHER/ RONDELLE/ BEILAGSCHEIBE	2	2
39	145 9233 000	V11.004	RONDELLA SP.D6/ WASHER/ RONDELLE/ BEILAGSCHEIBE	2	2
40	145 9154 000	V13.004	DADO M6/ NUT/ ECROU/ MUTTER	2	2
41	145 9227 000	V02.004	VITE TE 6X20/ SCREW/ VIS/ SCHRAUBE	2	2
42	145 2661 000	E05.11100	DISTANZIALE/ SPACER/ ENTRETOISE/ ABSTANDSTUECK	2	2

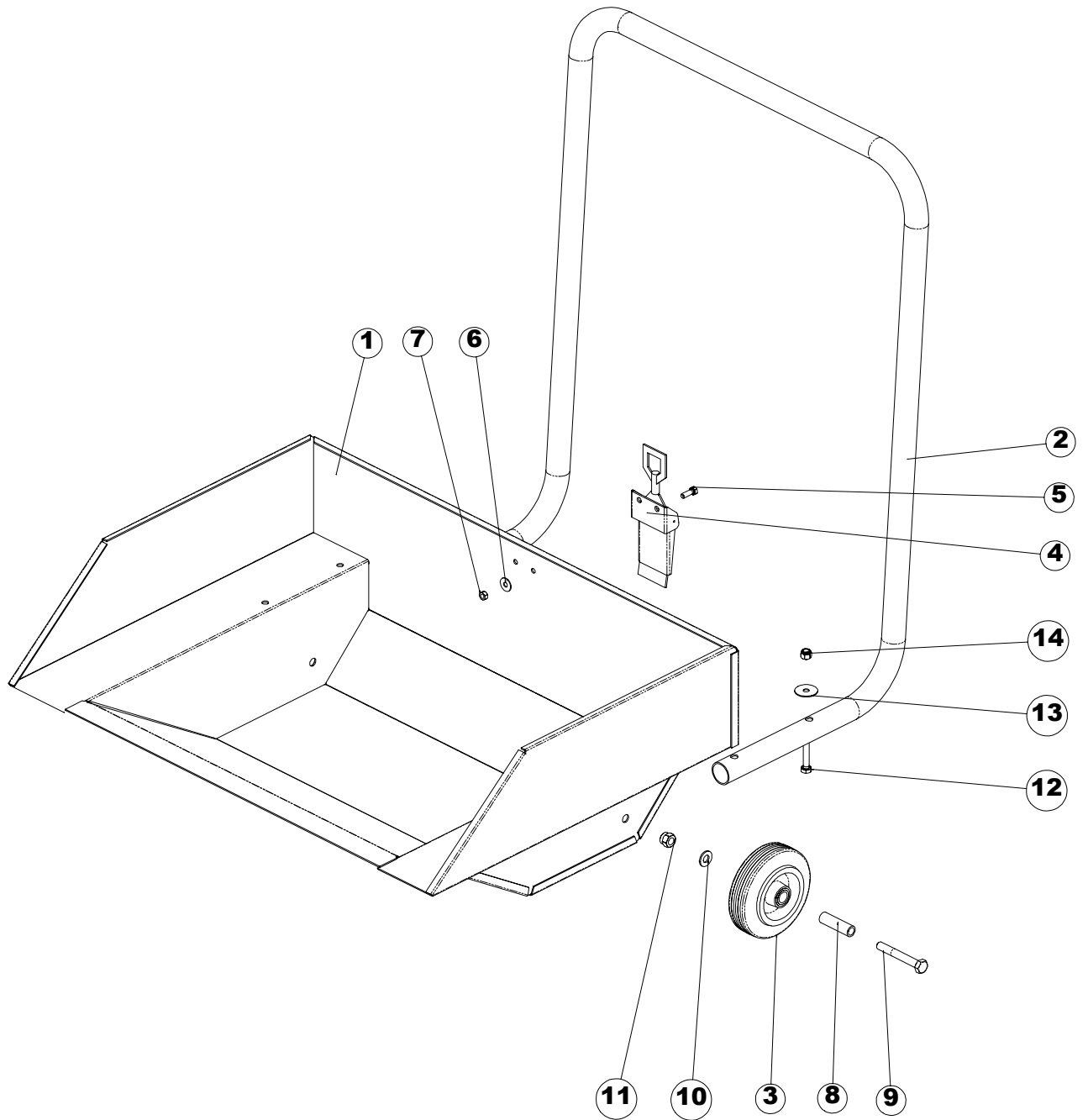


POSIZ ITEM POS EINSAT	CODICE CODE CODE NUMMER	INTERNO INTERNAL INTERIEUR INTERNE	DESCRIZIONE DESCRIPTION DESCRIPTION BEZEICHNUNG	B	P
43	145 9129 000	V09.012	RONDELLA PIANA / WASHER/ RONDELLE/ BEILAGSCHEIBE	4	4
44	145 9261 000	V02.003	VITE TSPEI M5X16/ SCREW/ VIS/ SCHRAUBE	1	1
45	146 0204 000		ASTA SOSTEGNO COFANO/ BONNET SUPPORTING ROD/ BRIDE SUPPORT/ MOTORHAUBE SUPPORT	1	1
46	146 0205 000		ASTA SOSTEGNO COFANO/ BONNET SUPPORTING ROD/ BRIDE SUPPORT / MOTORHAUBE SUPPORT	1	1
47	145 9128 000	V09.004	RONDELLA P6X12/ WASHER/ RONDELLE/ BEILAGSCHEIBE	4	4
48	145 9132 000	V13.019	DADO AUTOBLOCCANTE M6/ SELFLOCKING NUT/ ECROU/ MUTTER	2	2
49	145 9261 000	V02.003	VITE TE M6X16/ SCREW/ VIS/ SCHRAUBE	1	1
50	145 6058 000		ADESIVO PER BATTERIE/ BATTERY DECAL/ ADHESIF / BATTERIE KLEBER	1	1
51	146 0294 000		STAFFA PER MICRO/ MICROSWITCH HOLDER/ MICROINT. SUPPORT/ MICROSC.HALTER	1	-
52	145 4820 000		MICROINTERRUTTORE/ MICROSWITCH/ MICROINTERUPTEUR/ MICROSCHALTER	1	1
53	146 0293 000		STAFFA PER MICRO/ MICROSWITCH HOLDER/ MICROINT. SUPPORT/ MICROSC.HALTER	-	1
#63	146 0392 000		TAPPO/ CAP/ BOUCHON/ PFROPFEN	2	-
64	145 2965 000	F00.65600	PARAURTI/ BUMPER / PARACHOC/ STOSSDAEMPFER	1	1
65	145 1129 000	V11.02330	RONDELLA SVASATA M6X16/ WASHER/ RONDELLE/ BEILAGSCHEIBE	6	6
66	145 4488 000	V03.004	VITE TSPEI M6X16/ SCREW/ VIS/ SCHRAUBE	6	6
#67	146 0377 000		PANNELLO LATERALE DESTRO/ RIGHT SIDE PANEL/ PANEL DROIT/ RECHT PANEL	1	-

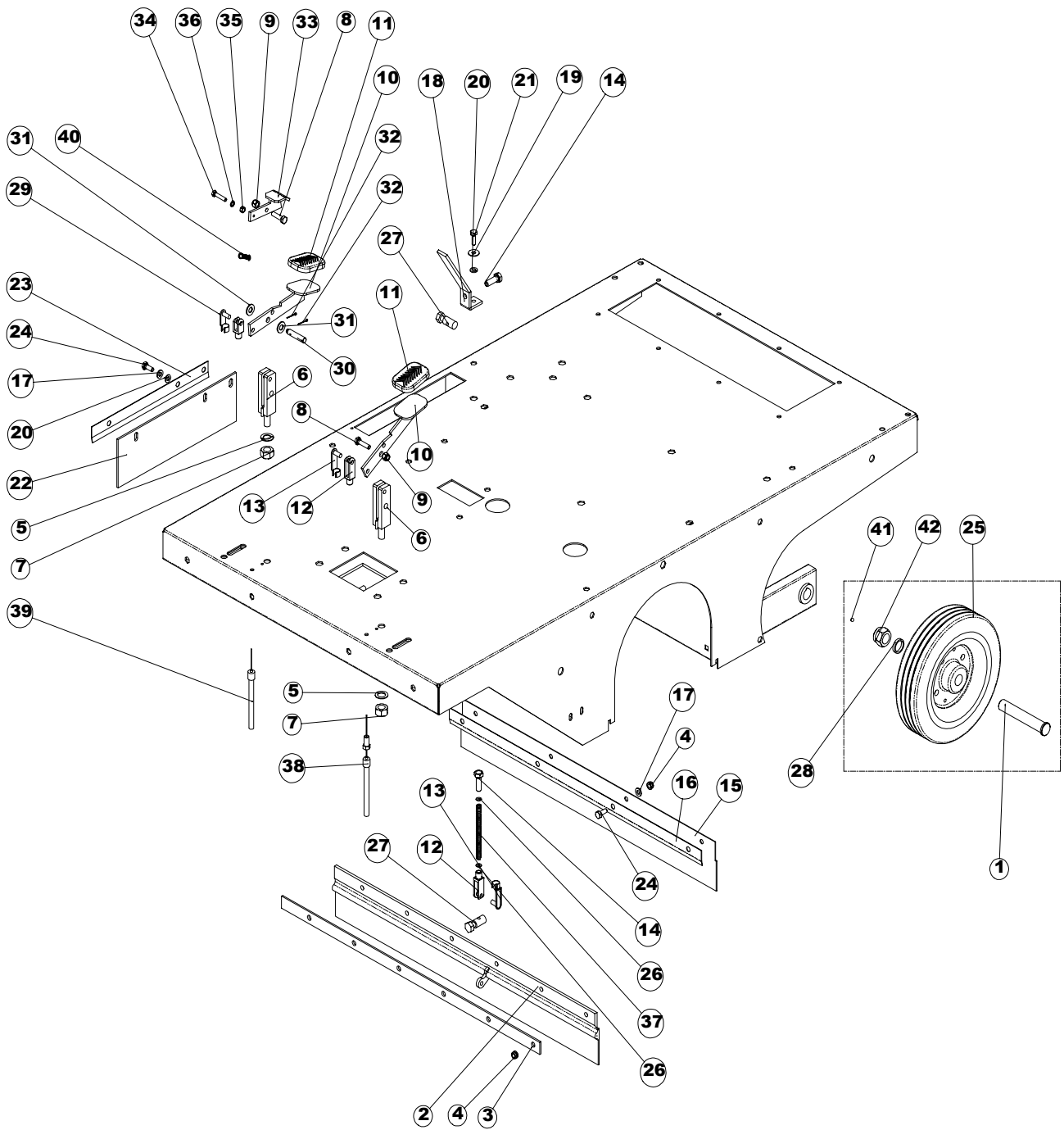


POSIZ ITEM POS EINSAT	CODICE CODE CODE NUMMER	INTERNO INTERNAL INTERIEUR INTERNE	DESCRIZIONE DESCRIPTION DESCRIPTION BEZEICHNUNG	B	P
1	08601854		DISTANZIALE/ SPACER/ ENTRETOISE / SCHEIBE	2	2
2	145 4644 000		PORTAFILTRO/ FILTER HOLDER/ FILTER SUPPORT / FILTER HALTER	1	1
3	146 0188 000		FILTRO IN CARTA/ PAPER FILTER/ FILTER / FILTER	1	1
4	146 0187 000		COPERCHIO/ COVER / COUVERCLE / DECKEL	1	1
5	146 0190 000		LEVA SX / LEFT LEVER / LEVIER GAUCHE / LINKER HEBEL	1	1
6	146 0189 000		LEVA DX / RIGHT LEVER / LEVIER DROIT/ RECHTER HEBEL	1	1
7	145 9319 000	L03.02400	MANOPOLA/ KNOB / POIGNEE / DREHKNOPF	2	2
8	145 0349 000	V02.008	VITE TE M 6X45/ SCREW / VIS / SCHRAUBE	2	2
9	145 9128 000	V09.004	RONDELLA P.6X12 / WASHER/ RONDELLE/ BEILAGSCHEIBE	2	2
10	145 9132 000	V13.019	DADO AUTOBLOCCANTE M6/ NUT/ ECROU/ MUTTER	2	2
11	146 0191 000		LEVA COMANDO ASPIRAZIONE/ DUST CONTROL LEVER/ LEVRIER/ HEBEL	2	2
12	145 1247 000	V03.05202	VITE TSPEI M 4X25/ SCREW/ VIS/ SCHRAUBE	2	2
13	145 9144 000	V09.002	RONDELLA P4X9/ WASHER/ RONDELLE/ BEILAGSCHEIBE	2	2
14	145 9125 000	V13.06100	DADO AUTOBLOCCANTE/ SELFLOCKING NUT/ ECROU/ GEGENMUTTER	4	4
15	145 9298 000	F02.338	FERMACAVO/ LOCKING CABLE/ BREDE CABLE/ KABELKLEMME	1	1
16	145 9135 000	V02.023	VITE TE M5X12/ SCREW/ VIS/ SCHRAUBE	1	1
17	145 9134 000	V13.003	DADO E M5/ NUT / ECROU/ MUTTER	1	1
18	145 8106 000	A00.00901	MOTORE SCUOTIFILTRO 30W/ FILTER SHAKER/ DECOLMATAGE DU FILTER/ FILTERRÜTTLER	1	1
19	145 4818 000		PIASTRA PER SCUOTIFILTRO/ FILTER SHAKER PLATE/ PLAQUE/ LASCHE	4	4
20	145 9135 000	V02.023	VITE TE M 6X16/ SCREW/ VIS/ SCHRAUBE	4	4
21	145 0407 000	V13.059 00	DADO AUTOBLOCCANTE BASSO M6/ SELFLOCKING NUT/ ECROU/ GEGENMUTTER	#4	#4
22	146 0192 000		PORTELLO CHIUSURA SPIRAZIONE/ HATCH/ TRAPPE/ KLAPPE	2	2
23	145 1339 000	V03.04510	VITE TSPEI M 4X46/ SCREW/ VIS/ SCHRAUBE	2	2
24	146 0326 000		GUARNIZIONE IN ANIMA METALLICA/ RINFORCED GASKET/ JOINT/ DICHTUNG	1,16 mt	1,16 mt

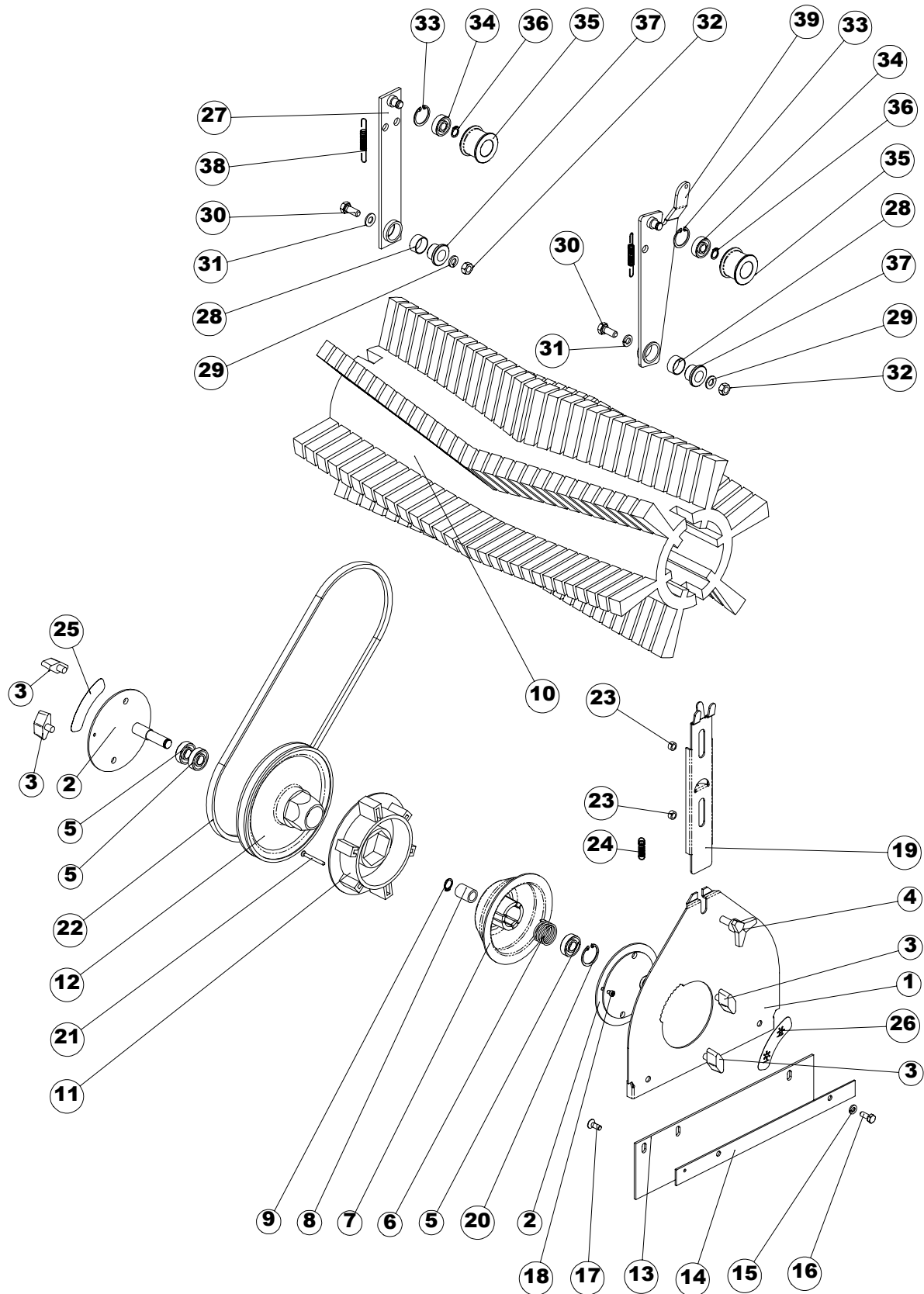




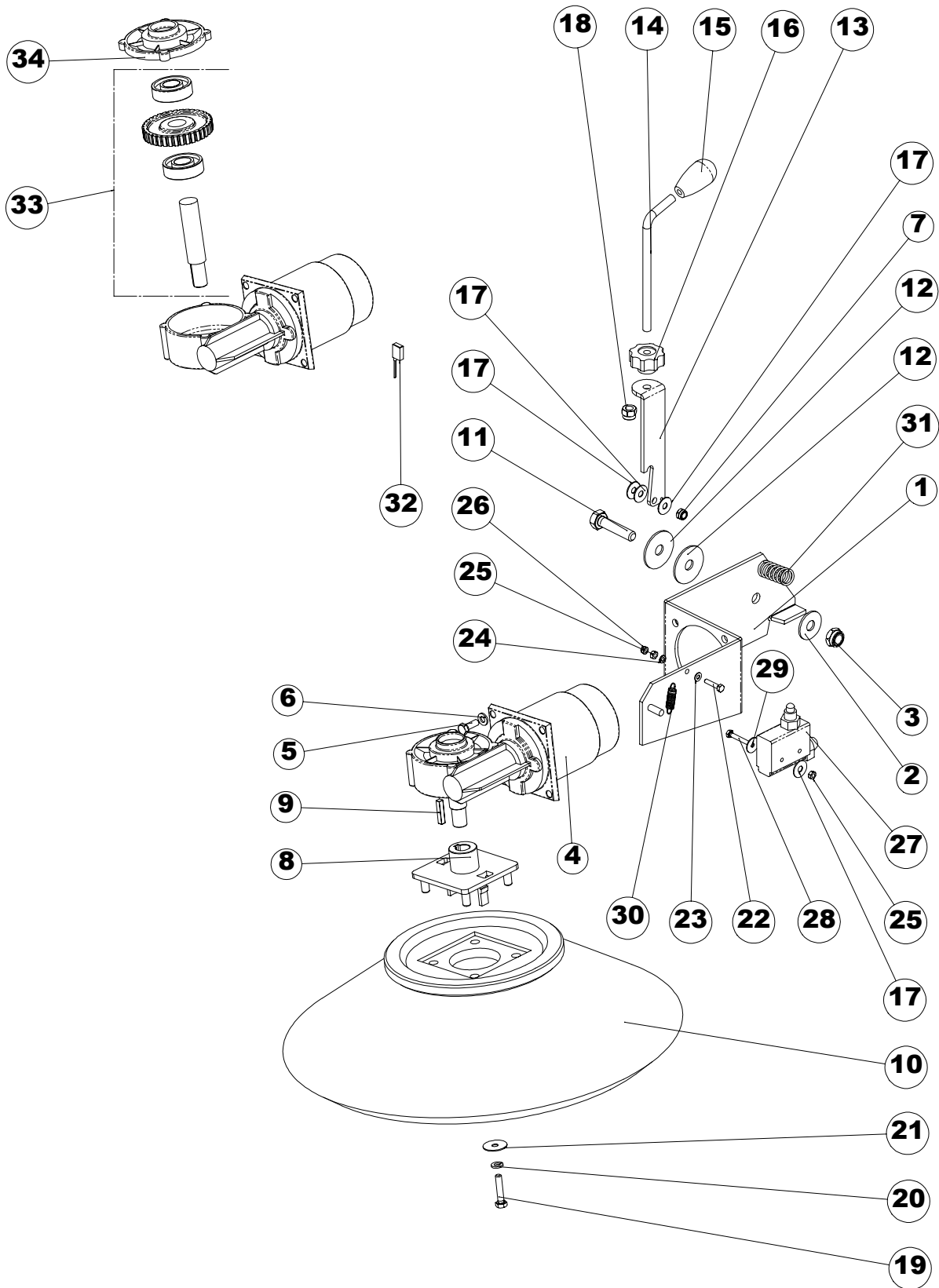
POSIZ ITEM POS EINSAT	CODICE CODE CODE NUMMER	INTERNO INTERNAL INTERIEUR INTERNE	DESCRIZIONE DESCRIPTION DESCRIPTION BEZEICHNUNG	B	P
1	145 0420 000	F00.65860	CASSETTO/ DIRT CONTAINER/ BAC A DECHETS/ SCHMUTZ BEHAELTER	1	1
2	145 3544 000	F03.69000	MANIGLIONE/ HANDLE/ POIGNEE/ HANDGRIFF	1	1
3	145 9335 000	D00.008	RUOTA/ WHEEL/ ROUE/ RAD	2	2
4	145 9136 000	L02.028	GANCIO/ HOOK/ CROCHET/ HAKEN	1	1
5	145 4478 000	V02.061	VITE TE M 5X14/ SCREW/ VIS/ SCHAUBE	2	2
6	145 1261 000	V09.05303	RONDELLA PIANA 5X15/ PLAIN WAHER / RONDELLE/ BEILAGSCHEIBE	2	2
7	145 9134 000	V13.003	DADO / NUT/ ECROU/ MUTTER	2	2
8	145 9310 000	E02.051	DISTANZIALE / SPACER/ ENTROISE/ ABSTANDSTÜCK	2	2
9	145 9312 000	V02.016	VITE TE M 8X60/ SCREW/ VIS/ SCHRAUBE	2	2
10	145 9120 000	V09.005	RONDELLA PIANA 8X17/ PLAIN WASHER/ RONDELLE/ BEILAGSCHEIBE	2	2
11	145 9201 000	V13.020	DADO AUTOBLOCCANTE M8/ SELFLOCKING NUT/ ECROU/ GEGENMUTTER	2	2
12	145 4472 000	V02.007	VITE TE M 6X40/ SCREW/ VIS/ SCHRUABE	2	2
13	145 9129 000	V09.012	RONDELLA PIANA 6X24/ WASHER/ RONDELLE/ BEILAGSCHEIBE	2	2
14	145 9132 000	V13.019	DADO AUTOBLOCCANTE M6/ SELFLOCKING NUT/ ECROU/ GEGENMUTTER	2	2



POSIZ ITEM POS EINSAT	CODICE CODE CODE NUMMER	INTERNO INTERNAL INTERIEUR INTERNE	DESCRIZIONE DESCRIPTION DESCRIPTION BEZEICHNUNG	B	P
1	145 1191 000	E02.69110	PERNO RUOTE POSTERIORI/ REAR WHEELS PIN/ ROUES ARRIERE AXE/ HINTERE RAEDER STIFT	2	2
2	145 0214 000	H02.30300	FLAP ANTERIORE/ FRONT FLAP/ BAVETTE ANT./ VODER FLAP GUMMI	1	1
3	145 3473 000	F03.61400	PIATTINA/ PLATE/ PLAQUE/ BAND	1	1
4	145 0407 000	V13.05900	DADO AUTOBLOCCANTE BASSO M6/ SELFLOCKING NUT/ ECROU/ GEGENMUTTER	6	6
5	145 4513 000	V11.007	RONDELLA SPACCATA D12/ WAHER/ RONDELLE/ BEILAGSCHEIBE	2	2
6	145 2540 000	E02.58400	SUPPORTO/ SUPPORT/ SUPPORT/HALTER	2	2
7	145 4516 000	V13.007	DADO M12/ NUT/ ECROU/ MUTTER	2	2
8	145 1194 000	V02.005	VITE TE M6X25/ SCREW/ VIS/ SCRAUBE	8	8
9	145 9132 000	V13.019	DADO AUTOBLOCCANTE M6/ SELFLOCKING NUT/ ECROU/ BEILAGSCHEIBE	2	2
10	145 3472 000	F03.61300	PEDALE/ PEDAL/ PEDALE/ PEDAL	2	2
11	145 8478 000	H02.063	COPRI PEDALE/ PEDAL COVER/ HOUSSE PEDALE/ PEDAL DECKUNG	2	2
12	145 8409 000	V17.06700	FORCELLA M6 LUNGA/ FORK/ FORCHETTE/ GABELSTUCK	2	2
13	145 9410 000	V17.06800	CLIP M6 LUNGA/ CIRCLIP/ CLP/ KLIPP	2	2
14	145 9283 000	E08.006	REGISTRO/ REGULATOR/ VIS DE REGLAGE/ REGLER	2	2
15	145 1188 000	H02.34640	FLAP POSTERIORE/ REAR FLAP/ BAVETTE AR./ HINTERE FALP GUMMI	1	1
#16	146 0344 000		PIATTINA/ PLATE/ PLAQUE/ BAND	1	1
17	145 9128 000	V09.004	RONDELLA PIANA 6X12/ PLAIN WASHER/ RONDELLE/ BEILAGSCHEIBE	2	2
18	145 1622 000	F03.70240	STAFFA/ HANGER/ ETRIER/ BUEGEL	1	1
19	145 9229 000	V09.022	RONDELLA PIANA 6X18/ PLAIN WASHER/ RONDELLE/ BEILAGSCHIEBE	1	1
20	145 9228 000	V11.004	RONDELLA SPACCATA D6/ WASHER/ RONDELLE/ BEILAGESCHIEBE	2	2
21	145 9227 000	V02.004	VITE TE M6X20/ SCREW/ VIS / SCHRAUBE	1	1
22	145 1212 000	H02.34650	FLAP LAT.DX/ RIGHT FLAP/ BAVETTE DROITE/ RECHTE FLAP GUMMI	1	1
23	145 1213 000	F03.69970	PIATTINA FLAP DX./ PLATE FOR RIGHT FLAP/ PLAQUE POUR BAVETTE DROITE/ BAND FUER RECHT FLAP GUMMI	1	1
24	145 9261 000	V02.003	VITE TE M6X16/ SCREW/ VIS/ SCHRAUBE	2	2
25	145 1190 000	D00.06680	RUOTA / WHEEL / ROUE/ RAD	2	2
26	145 9144 000	V09.002	RONDELLA P 4X9/ WASHER/ RONDELLE/ BEILAGSCHIEBE	2	2
27	145 8110 000	E08.010	MORSETTO D6/ CLAMP/ CROMPON/ KLEMM	2	2
28	145 9263 000	E05.024	DISTANZIALE/ SPACER / ENTRETOISE/ BEILAGSCHEIBE	2	2
29	145 4536 000	V17.008	CLIPS M6 CORTA/ CIRCLIP/ CLIP/ KLIP	1	1
30	145 2541 000	E02.58500	PERNO/ PIN/ AXE/ STIFT	1	1
31	145 9120 000	V09.005	RONDELLA PIANA 8X17/ PLAIN WASHER/ RONDELLE/ BEILAGSCHEIBE	2	2
32	145 8548 000	V15.01203	COPIGLIA 2X25/ SPLIT PIN/ GOUPILLE/ SPLINT	2	2
33	145 3090 000	F03.63200	PEDALE/ PEDAL/ PEDALE/PEDAL	1	1
34	145 4485 000	V02.10503	VITE TE M 5X25/ SCREW/ VIS/ SCREW	1	1
35	145 9134 000	V13.003	DADO M5/ NUT/ ECROU/ MUTTER	1	1
36	145 4511 000	V11.003	RONDELLA SPACCATA D5/ WASHER/ RONDELLE/	1	1
37	145 9395 000	E04.04400	MOLLA/ SPRING/ RESSORT/ FEDER	1	1
38	145 0267 000	E08.15150	CAVO ALZAFAP/ FLAP RAISING DEVICE CABLE/ RELEV BAVETTE CABLE/ GROBSCHMUTZKLAPPE AUFHEBUNGSKABEL	1	1
39	145 2761 000	E08.12601	CAVO FRENO/ BRAKE CABLE/ CABLE FREIN / BREMSKABEL	1	1
40	145 9290 000	E04.05200	MOLLA/ SPRING/ RESSORT/ FEDER	2	2
41	145 1193 000	E00.07680	SFERA D.S./ BALL/ ROULEMENT/ LAGER	2	2
#42	145 4612 000	V13.07900	DADO AUTOB. M16/ SELF LOCKING NUT/ ECROU/ GEGENMUTTER	2	2

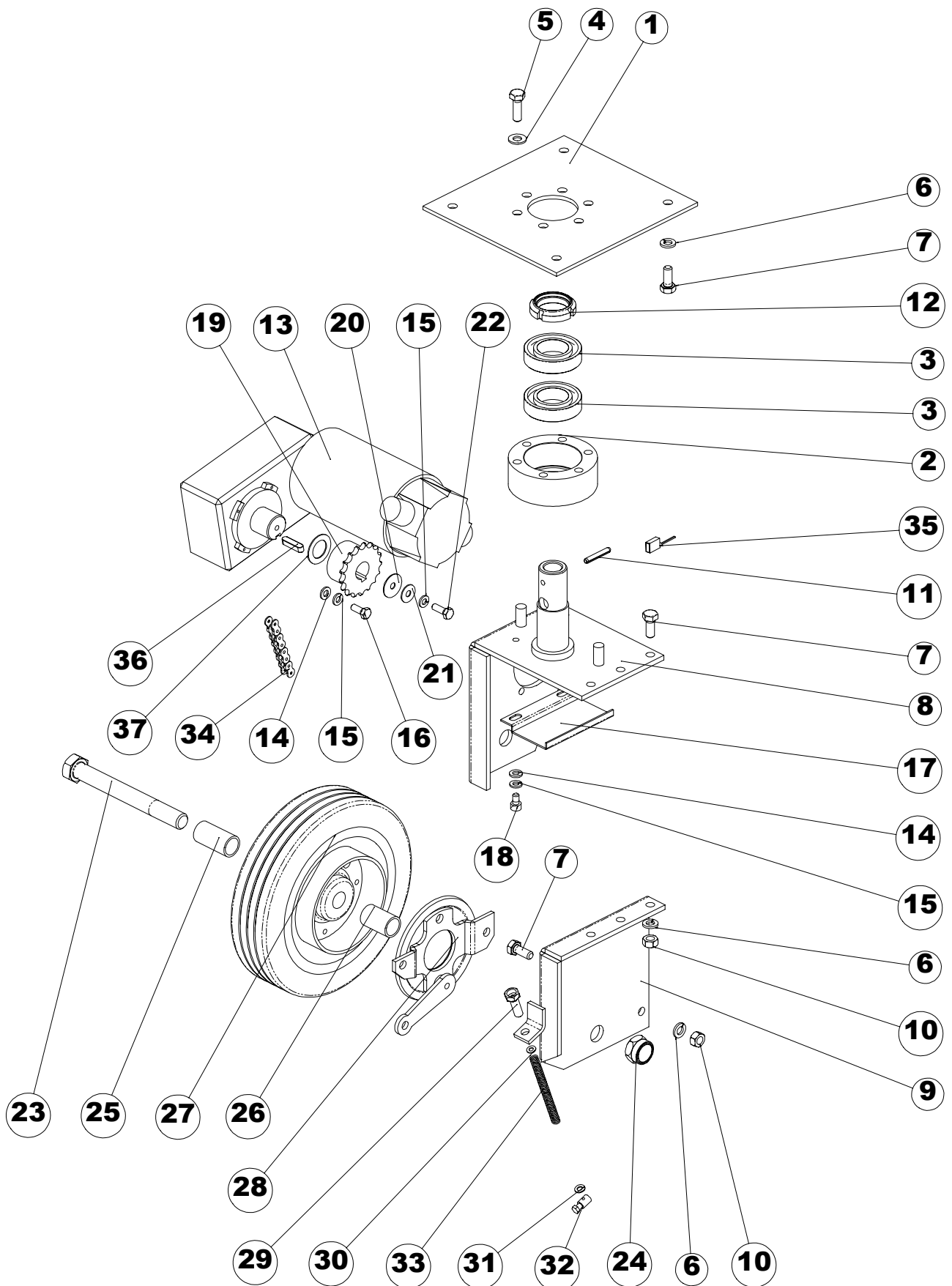


POSIZ ITEM POS EINSAT	CODICE CODE CODE NUMMER	INTERNO INTERNAL INTERIEUR INTERNE	DESCRIZIONE DESCRIPTION DESCRIPTION BEZEICHNUNG	B	P
#1	145 1215 000	F03.70030	PORTELLO / HATCH/ TRAPPE/ Klappe	1	1
2	145 0272 000	E02.68860	PERNO/ PIN/ AXE/ STIFT	2	2
3	145 1211 000	L02.16050	VOLANTINO/ KNOB/ MOLETTE/ HANDRAD	#4	#4
4	145 2247 000	L02.16060	VOLANTINO/ KNOB/ MOLETTE/ HANDRAD	1	1
5	145 0270 000	E00.023	CUSCINETTO 6001 2RS/ BALL BEARING/ ROULEMENT/ LAGER	3	3
6	145 0271 000	E04.09460	MOLLA/ SPRING/ RESSORT/ FEDER	1	1
7	145 0269 000	E02.68870	MOZZO SX PER SPAZZOLA CENTRALE/ LEFT HUB MAIN BROOM/ MOYEU GAUCHE BROSSE CENTRAL/ LINKE NABE HAUPTKEHRWALZE	1	1
8	145 2663 000	E05.12100	DISTANZIALE/ SPACER/ ENTRETOISE/ ABSTANDSTUCK	1	1
9	145 9187 000	V14.006	SEEGER E12/ RETAINING RING/ CIRCLIP/ SICHERUNGSRING	1	1
10	145 4845 000		SPAZZOLA CENTRALE PPL 0,7/ MAIN BROOM PPL/ BROSSE CENTRAL PPL/ HAUPTKEHRWALZE PPL	1	1
11	145 5661 000		MOZZO DX PER SPAZZOLA CENTRALE/ RIGHT HUB MAIN BROOM/ MOYEU DROITE BROSSE CENTRAL/ RECHTE NABE HAUPTKEHRWALZE	1	1
12	145 2617 000	E03.18320	PULEGGIA / PULLEY / POULIE/ SCHEIBE	1	1
13	145 1216 000	H02.34660	FLAP SX/ LEFT FLAP/ BAVETTE GAUCHE/ LINKE FLAP GUMMI	1	1
14	145 1217 000	F03.70040	PIATTINA / PLATE/ PLAQUE/ BAND	1	1
15	145 9228 000	V11.004	RONDELLA / WASHER/ RONDELLE/ BEILAGSCHEIBE	2	2
16	145 9261 000	V02.003	VITE TE M 6X16/ SCREW/ VIS/ SCHRAUBE	2	2
17	145 4488 000	V03.004	VITE TSPEI M 6X16/ SCREW/ VIS/ SCHRAUBE	1	1
18	145 0273 000	V04.05020	VITE TCEI M4X16/ SCREW/ VIS/ SCHRAUBE	3	3
19	145 1251 000	F03.70060	PIASTRINA BLOCCA VOLANTINO / PLATE / PLAQUE/ LASCHE	1	1
20	145 1769 000	V14.016	SEEGER I28 / RETAINING RING/ CIRCLIP/ SICHERUNGSRING	1	1
21	145 1214 000	V05.01403	VITE TSPTC 3,9X38 AUTOF./ SCREW/ VIS/ SCHRAUBE	2	2
22	145 8019 000	H00.020	CINGHIA Z36/ BELT/ CURROIE/ RIEMEN	1	1
23	145 1252 000	E05.19170	DISTANZIALE / SPACER/ ENTRETOISE/ BEILAGSCHEIBE	2	2
24	145 8925 000	E04.07400	MOLLA/ SPRING/ RESSORT/ FEDER	1	1
25	146 0221 000		ADESIVO/ DECAL/ ADHESIF/ KLEBER	1	1
26	146 0222 000		ADESIVO/ DECAL/ ADHESIF/ KLEBER	1	1
27	145 1210 000	F03.69270	LEVA/ LEVER/ LEVIER/ HEBEL	1	1
28	145 9405 000	E01.007	BOCCOLA/ BUSHING/ BAGUE/ BUCHSE	2	2
29	145 4512 000	V11.005	RONDELLA SP.8/ WASHER/ ENTRETOISE/ BEILAGSCHEIBE	2	2
30	145 9170 000	V02.013	VITE TE M 8X20/ SCREW/ VIS/ SCHRAUBE	2	2
31	145 9120 000	V09.005	RONDELLA P.8X17/ WASHER/ ENTRETOISE/ BEILAGSCHEIBE	2	2
32	145 9123 000	V13.005	DADO M8/ NUT/ ECROU/ MUTTER	2	2
33	145 9189 000	V14.013	SEEGER 126/ RETAINING RING/ CIRCLIP/ SICHERUNGSRING	2	2
34	145 9186 000	E00.007	CUSCINETTO 6000 2RS/ BALL BEARING/ ROULEMENT/ LAGER	2	2
35	145 1209 000	E02.68910	RULLO/ ROLLER/ ROULEMENT/ ROLLE	2	2
36	145 9254 000	V14.007	SEEGER E10/ RETAINING RING/ CIRCLIP/ SICHERUNGSRING	2	2
37	145 9156 000	E02.110	BOCCOLA/ BUSHING/ BAGUE/ BUECHSE	2	2
38	145 0274 000	E04.09490	MOLLA/ SPRING/ RESSORT/ FEDER	2	2
39	145 1279 000	F03.69860	LEVA/ LEVER/ LEVRIER/ HEBEL	1	1

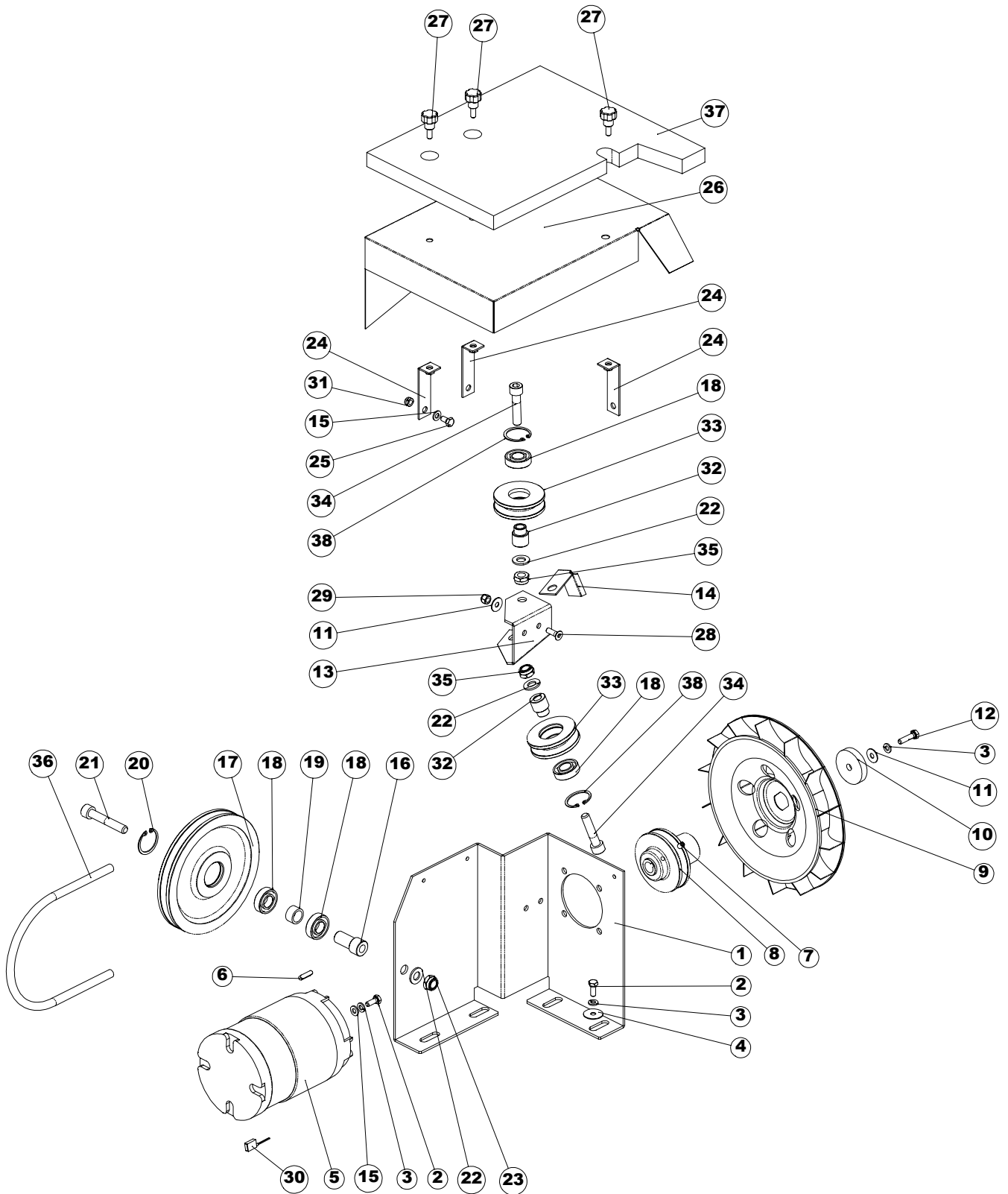


POSIZ ITEM POS EINSAT	CODICE CODE CODE NUMMER	INTERNO INTERNAL INTERIEUR INTERNE	DESCRIZIONE DESCRIPTION DESCRIPTION BEZEICHNUNG	B	P
1	145 1204 000	F03.70010	STAFFA DX/ RIGHT BRACKET/ SUPPORT DROITE/ RECHTE BUEGEL	1	1
2	145 4505 000	V09.019	RONDELLA P.10X30/ WASHER/ RONDELLE/ BEILASCHEIBE	1	1
3	145 4518 000	V13.021	DADO AUTOBLOCCANTE M10/ SELFLOCKING NUT/ ECROU/ GEGENMUTTER	1	1
4	145 0275 000	A05.01600	MOTORIDUTTORE DX 60W 24V / RIGHT REDUC.GEAR/ MOTOREDC.DROITE/ RECHTE VERMINDERUNGSGETRIEBE	1	1
5	145 9227 000	V02.004	VITE TE M 6X20/ SCREW/ VIS/ SCHRAUBE	4	4
6	145 9128 000	V09.004	RONDELLA PIANA 6X12/ PLAIN WASHER / RONDELLE/ BEILAGSCHEIBE	4	4
7	145 0407 000	V13.05900	DADO AUTOBLOCCANTE BASSO M6/ SELFLOCKING NUT/ ECROU/ GEGENMUTTER	1	1
#8	146 0402 000		FLANGIA PORTASPAZZOLA/ BRUSHHOLDER FLANGE/ FLANSQUE DE BROSSE SUPPORT/ FLANSCH BUERSTEHALTER	1	1
9	145 8024 000	V17.07000	LINGUETTA 5X5X25/ TAB/ CLAVETTE/ KEIL	1	1
10	145 1899 000		SPAZZOLA LAT.180X420 PPL 0,8/ SIDE BRUSH/ BROSSE LAT./ SEITEN BUERSTE	1	1
11	145 1771 000	V02.12800	VITE TE M10X45/ SCREW/ VIS/ SCHRAUBE	1	1
12	145 1208 000	V09.027	RONDELLA PIANA 10X40/ PLAIN WASHER / RONDELLE/ BEILAGSCHEIBE	2	2
13	145 5076 000		LEVA SPAZ. LAT DX./ LEVER LEFT SIDE BRUSH/ LEVRIER BROSSE DROITE/ HEBEL SEITEN BUERSTE	1	1
14	145 2573 000	E02.66400	TIRANTE PER SPAZZOLA LAT./ TENSION ROD/ TIRANT/ SPANNER	1	1
15	145 9319 000	L03.02400	MANOPOLA/ KNOB/ POIGNEE/ DREHKNOPF	1	1
16	145 8484 000	L02.13000	VOLANTINO/ KNOB/ MOLETTE/ HANDRAD	1	1
17	145 9229 000	V09.022	RONDELLA P.6X18/ WASHER/ RONDELLE/ BEILAGSCHEIBE	4	4
18	145 0407 000	V13.05900	DADO AUTOBLOCCANTE M 6/ SELF LOCK.NUT/ ECROU/ GEGENMUTER	1	1
19	145 8290 000	V02.11910	VITE TE M6X20 SX INOX/ SCREW/ VIS/ SCHRAUBE	1	1
20	145 9228 000	V11.004	RONDELLA SP.D6/ WASHER/ RONDELLE/ BEILAGSCHEIBE	1	1
21	145 9129 000	V09.012	RONDELLA PIANA 6X24/ PLAIN WASHER/ RONDELLE/ BEILAGSCHEIBE	1	1
22	145 1203 000	V02.11810	VITE TE M4X20/ SCREW/ VIS/ SCHRAUBE	1	1
23	145 9144 000	V09.002	RONDELLA PIANA 4X9/ PLAIN WASHER/ RONDELLE/ BEILAGSCHEIBE	1	1
24	145 9296 000	V19.002	RONDELLA PIANA 6X24/ PLAIN WASHER/ RONDELLE/ BEILAGSCHEIBE	1	1
25	145 9145 000	V13.002	DADO E M4/ NUT/ ECROU/ MUTTER	2	2
26	145 9125 000	V13.06100	DADO E AUTOBL.M4/ SELFLOCKING NUT/ ECROU/ MUTTER	2	2
27	145 8854 000	G05.10300	MICROINTERRUTTORE/ MICROSWITCH/ MICROINTERRUPTEUR/ MICROSCHALTER	1	1
28	145 1201 000	V02.09503	VITE TE M 4X30/ SCREW/ VIS/ SCHRAUBE	2	2
29	145 4508 000	V09.05703	RONDELLA P.4X16/ WASHER/ RONDELLE/ BEILAGSCHEIBE	2	2
30	145 9290 000	E04.05200	MOLLA/ SPRING/ RESSORT / FEDER	1	1
31	145 0276 000	E04.017	MOLLA/ SPRING/ RESSORT / FEDER	1	1
32	145 2224 000	A11.04500	CARBONCINI/ CARBON BRUSHES/ CHARBONS/ KOHLBUESTE	2	2
33	145 8399 000	A11.03900	INGRANAGGIO COMPLETO/ GEAR COMPLETE/ ENGRANAGE/ GETRIEBE	1	1
34	145 1206 000	A11.04400	COPERCHIO MOTORIDUTTORE/ REDUCTION GEAR CAP/ MOTORIDUCTEUR COUVERCLE/ VERMIENDERUNGSGETRIEBE DECKUNG	1	1

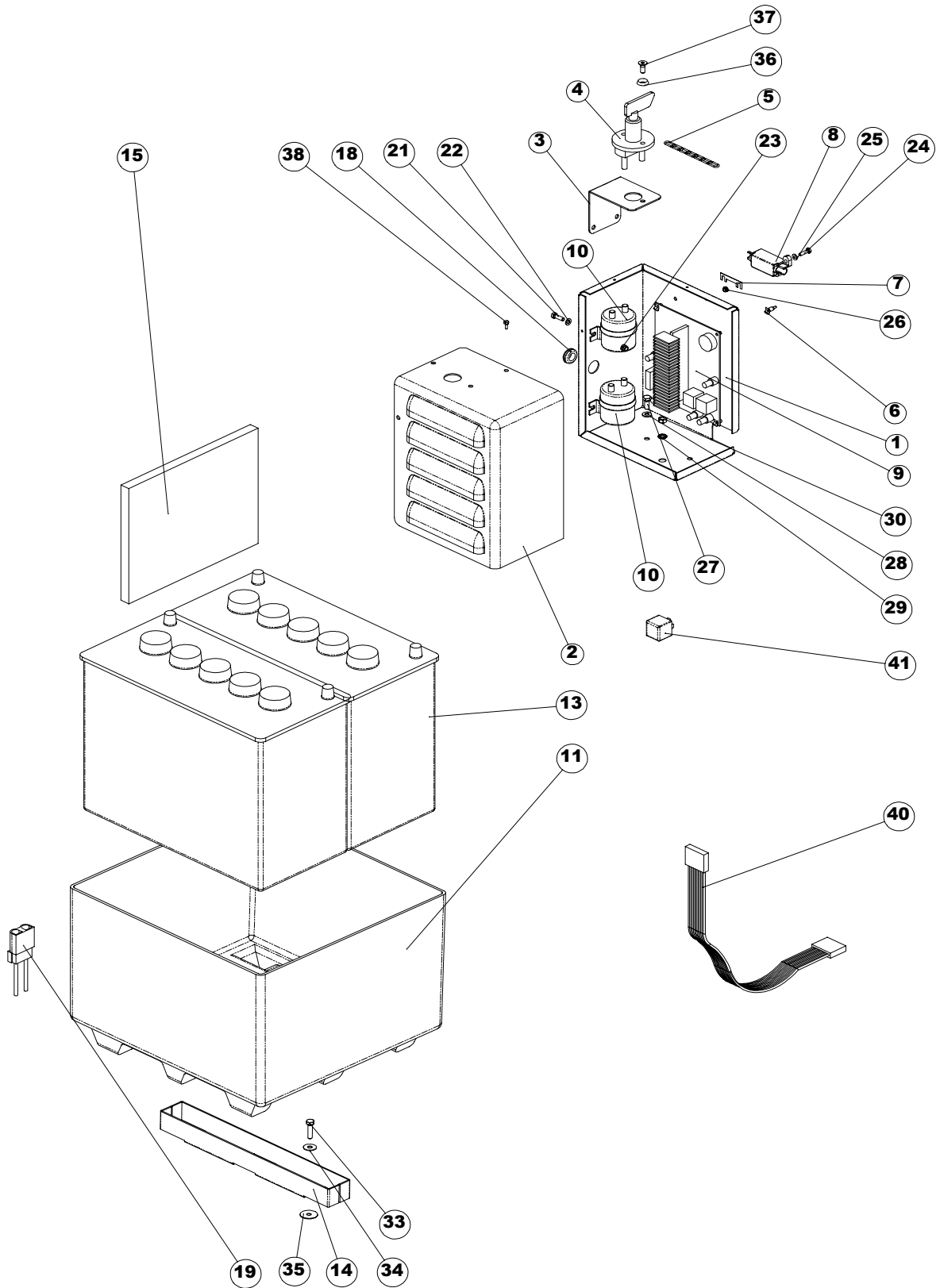




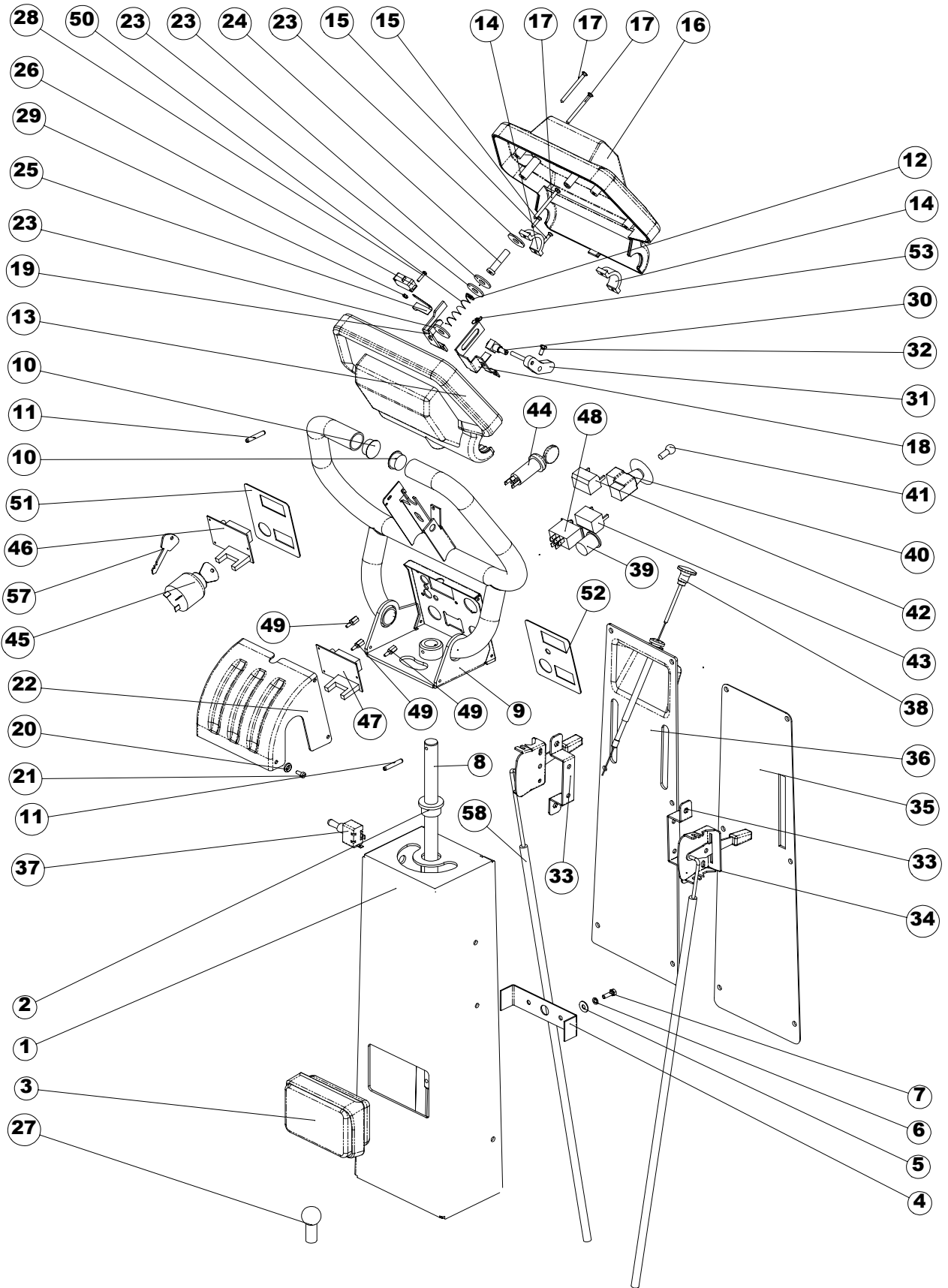
POSIZ ITEM POS EINSAT	CODICE CODE CODE NUMMER	INTERNO INTERNAL INTERIEUR INTERNE	DESCRIZIONE DESCRIPTION DESCRIPTION BEZEICHNUNG	B	P
1	145 3476 000	F03.61700	PIASTRA/ PLATE/ PLAQUE/ PLATTE	1	1
2	145 2568 000	E02.65900	FLANGIA/ FLANGE/ FLASQUE/ FLANSCH	1	1
3	145 0225 000	E00.06700	CUSCINETTO 6006 2RS1/ BALL BEARING/ ROULEMENT/ LAGER	2	2
4	145 9120 000	V09.005	RONDELLA P. 8X17/ WASHER/ RONDELLE/ BEILAGSCHEIBE	6	6
5	145 9116 000	V02.014	VITE TE M 8X25/ SCREW/ VIS/ SCHRAUBE	6	6
6	145 4512 000	V11.005	RONDELLA SP.8/ WASHER/ RONDELLE/ BEILAGSCHEIBE	4	4
7	145 9170 000	V02.013	VITE TE M8X20/ WASHER / RONDELLE/ BEILAGSCHEIBE	4	4
8	146 0219 000		SUPPORTO STERZO/ STEERING SUPPORT/ SUPPORT/ HALTER	1	1
9	146 0220 000		SUPPORTO RUOTA/ WHEEL SUPPORT/ SUPPORT/ HALTER	1	1
10	145 9123 000	V13.005	DADO E M 8/ NUT/ ECROU/ MUTTER	2	2
11	145 4546 000	V17.08400	SPINA 5X30/ PIN/ GOUPILLE/ STIFT	1	1
12	145 4519 000	V13.035	GHIERA AUTOBL. M30X1,5/ NUT ECROU/ RING	1	1
13	145 0219 000	A05.01500	MOTORIDUTTORE 200 W 24 V/ REDUCTION GEAR/ MOTOREDUCTEUR/ VERMINDERUNGSGETRIEBE	1	1
14	145 9128 000	V09.004	RONDELLA P.6X12/ WASHER/ RONDELLE/ BEILAGSCHEIBE	4	4
15	145 9228 000	V11.004	RONDELLA SP.D6/ WASHER/ RONDELLE/ BEILAGSCHEIBE	4	4
16	145 9261 000	V02.003	VITE TE M 6X16/ SCREW/ VIS/ SCHRAUBE	4	4
17	145 3475 000	F03.61600	PROTEZIONE/ PROTECTION / PROTECTION/ SCHUTZ	1	1
18	145 1198 000	V01.007	VITE TCEI M 6X10 INOX/ SCREW/ VIS/ SCHRAUBE	2	2
19	145 0221 000	E06.05100	PIGNONE Z17/ PINION/ PIGNON/ PRITZEL	1	1
20	145 9129 000	V09.012	RONDELLA P. 6X24/ WASHER/ RONDELLE/ BEILAGSCHEIBE	1	1
21	145 9229 000	V09.022	RONDELLA P. 6X18/ WASHER/ RONDELLE/ BEILAGSCHEIBE	1	1
22	145 9227 000	V02.004	VITE TE M 6X20/ SCREW/ VIS/ SCHRAUBE	1	1
23	145 2576 000	E02.66700	PERNO/ PIN/ AXE/ STIFT	1	1
24	145 1192 000	V13.09400	DADO AUTOBL.BASSO M18/ NUT / ECROU/ MUTTER	1	1
25	145 2575 000	E02.66600	DISTANZIALE/ SPACER/ ENTRETOISE/ ABSTNDSTUECK	1	1
26	145 2574 000	E02.66500	DISTANZIALE/ SPACER/ ENTRETOISE/ ABSTNDSTUECK	1	1
27	145 0247 000	D00.06201	RUOTA/ WHEEL / ROUE/ RAD	1	1
28	145 8066 000	L04.01600	FRENO/ BRAKE/ FREIN/ BREMSE	1	1
29	146 0321 000		REGISTRO/ REGULATOR COMPLETE M8X55/ REGLAGE/ REGLER	1	1
30	145 9229 000	V09.022	RONDELLA P.4X9/ WASHER/ RONDELLE/ BEILAGSCHEIBE	1	1
31	145 9133 000	V09.003	RONDELLA P.5X10/ WASHER/ RONDELLE/ BEILAGSCHEIBE	1	1
32	145 9366 000	E08.018	MORSETTO/ CLAMP/ SERRE CABLE/ KLEMME/	1	1
33	145 9395 000	E04.04400	MOLLA/ SPRING/ RESSORT/ FEDER	1	1
34	145 0222 000	E07.04000	CATENA 3/8"X35 PASSI/ CHAIN 3/8 " X35 STEPS/ CHAINE/ KETTE	1	1
35	145 2225 000	A11.04700	CARBONCINI/ CARBON BRUSH/ CHARBONS/ KOHLBUERSTE	2	2
36	145 9773 000	V17.040	CHIAVETTA 6X6X20/ KEY/ CLAVETTE/ KEILNUT	1	1
37	146 0331 000		DISTANZIALE/ SPACER / ENTRETOISE/ BEILAGSCHEIBE	1	1



POSIZ ITEM POS EINSAT	CODICE CODE CODE NUMMER	INTERNO INTERNAL INTERIEUR INTERNE	DESCRIZIONE DESCRIPTION DESCRIPTION BEZEICHNUNG	B	P
1	146 0196 000		STAFFA/ BRACKET/ SUPPORT/ BUEGEL	1	
2	145 9261 000	V02.003	VITE TE M6X16/ SCREW/ VIS/ SCHRAUBE	8	
3	145 9228 000	V11.004	RONDELLA SP.D6/ WASHER/ RONDELLE/ BEILAGSCHIEBE	8	
4	145 9129 000	V09.012	RONDELLA PIANA 6X24/ WASHER/ RONDELLE/ BEILAGSCHIEBE	4	
5	145 9985 000	A00.05801	MOTORE ELETTRICO 750W 24V/ ELECTRIC MOTOR/ MOTEUR ELECTRIC/ ELEKTRISCHER MOTOR	1	
6	145 9774 000	V17.041	CHIAVETTA 5X5X20/ KEY/ CLAVETTE/ KEILNUT	1	
7	145 9192 000	V08.001	GRANO M 6X10/ DOWEL/ GOUPILLE/ STIFT	1	
8	145 0301 000	E03.17900	PULEGGIA/ PULLEY/ POULIE/ SCHEIBE	1	
9	145 9179 000	B03.001	VENTILATORE / VENTILATOR/ VENTILATEUR/ VENTILAOTR	1	
10	145 9180 000	E05.027	DISTANZIALE/ SPACER/ ENTRETOISE/ ABSTNDSTUECK	1	
11	145 9229 000	V09.022	RONDELLA PIANA 6X18/ WASHER/ RONDELLE/ BEILAGSCHIEBE	3	
12	145 1194 000	V02.005	VITE TE M 6X25/ SCREW/ VIS/ SCHRAUBE	1	
13	145 3454 000	F03.52900	STAFFA/ BRACKET/ SUPPORT/ BUEGEL	1	
14	145 3359 000	F03.35500	GUIDACINGHIA/BELT SUPPORTING PLATE/ GUIDE COURROIE/ RIEMENFUHRER	1	
15	145 9128 000	V09.004	RONDELLA P.6X12/ WASHER/ RONDELLE/ BEILAGSCHIEBE	4	
16	145 9862 000	E02.57900	ALBERO/ SHAFT/ ARBRE/ WELLE	1	
17	145 2614 000	E03.1800	PULEGGIA/ PULLEY/ POULIE/ SCHEIBE	1	
18	145 8196 000	E00.001	CUSCINETTO 6002 2RS/ BALL BEARING/ ROULEMENT/ LAGER	4	
19	145 2688 000	E05.17200	DISTANZIALE/ SPACER/ ENTRETOISE/ ABSTANDSTUECK	1	
20	145 9161 000	V14.003	SEEGER I32/ RETAINING RING/ CIRCLIP/SICHERUNGSRING	1	
21	145 1235 000	V04.04200	VITE TCEI M10X60/ SCREW/ VIS/ SCHRAUBE	1	
22	145 9320 000	V09.006	RONDELLA PIANA 10X21/ WASHER/ RONDELLE/ BEILAGSCHIEBE	3	
23	145 1236 000	V13.08603	DADO AUTOBL.BASSO M 10/ / NUT / ECROU/ MUTTER	1	
24	145 3480 000	F03.62100	STAFFA/ BRACKET/ SUPPORT/ BUEGEL	3	
25	145 9442 000	V02.002	VITE TE M 6X12/ SCREW/ VIS/ SCHRAUBE	3	
26	145 2936 000	F00.62000	PROTEZIONE/ PROTERCTION/ PROTECTION/ SCHUTZ	1	
27	145 2244 000	L02.16020	VOLANTINO/ KNOB / MOELETTE/ HANDRAD	3	
28	145 9309 000	V03.003	VITE TSPEI M 6X20/ SCREW/ VIS/ SCHRAUBE	2	
29	145 9132 000	V13.019	DADO AUTOBLOCCANTE M 6/ NUT / ECROU/ MUTTER	2	
30	145 8360 000	A11.00800	CARBONCINI/ CARBON BRUSH/ CHARBONS/ KOHLENBUERSTE	4	
31	145 0407 000	V13.05900	DADO AUTOBL. BASSO M6/ NUT / ECROU/ MUTTER	3	
32	145 2564 000	E02.63200	PERNO/ PIN/ AXE/ STIFT	2	
33	145 0278 000	E03.18100	PULEGGIA/ PULLEY/ POULIE/ SCHEIBE	2	
34	145 4496 000	V04.03700	VITE TCEI M10X45/ SCREW/ VIS/ SCHRAUBE	2	
35	145 4518 000	V13.021	DADO AUTOBLOCCANTE M10/ NUT / ECROU/ MUTTER	2	
36	145 0216 000	H00.13900	CINGHIA/ GASKET/ COURROIE/ DICHTUNG	1	
#37	146 0378 000		PANNELLO GRIGLIA MOTORE/ MOTOR GRATE PANEL/ PANEL MOTEUR/ MOTOR PANEL	1	
#38	145 9161 000	V14.003	SEEGER I 32/ RETAINING RING/ CIRCLIP/SICHERUNGSRING	2	

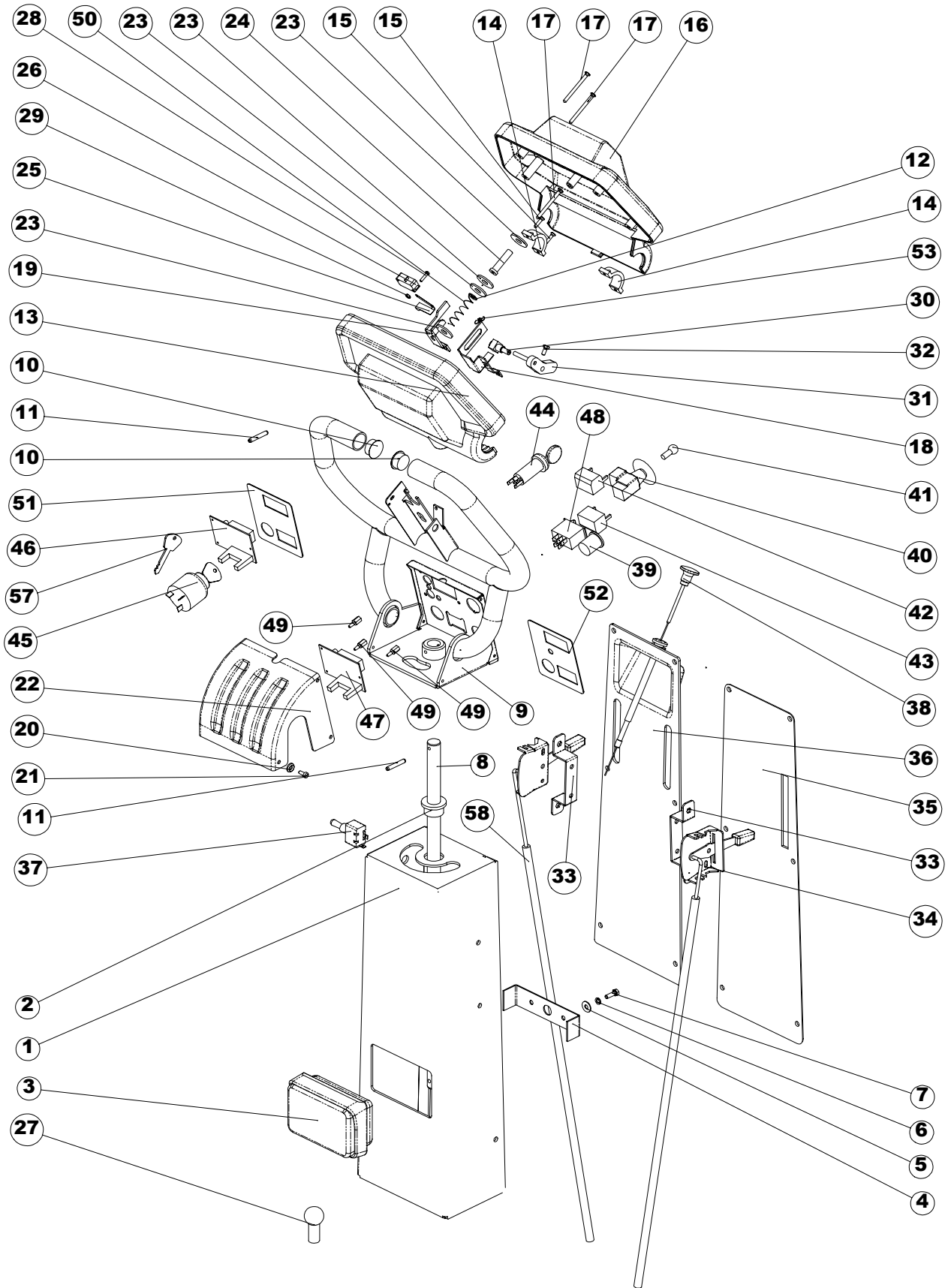


POSIZ ITEM POS EINSAT	CODICE CODE CODE NUMMER	INTERNO INTERNAL INTERIEUR INTERNE	DESCRIZIONE DESCRIPTION DESCRIPTION BEZEICHNUNG	B	P
1	146 0197 000		CASSETTA ELETTRICA/ ELECTRIC BOX/ CAISSON ELETRIC/ ELEKTRISCHE KASTEN	1	1
2	146 0198 000		COPERCHIO CASSETTA/ BOX COVER/ CAISSON COUVERCLE/ ELEK.KASTEN DECKUNG	1	1
6	145 0516 000	L02.13700	DISTANZIALE / SPACER/ ENTRETOISE/ ADSTANDSTUECK	4	4
7	145 9854 000	G11.05600	FUSIBILE 50AH/ FUSE / FUSE/ SICHERUNG	1	1
8	145 8046 000	G11.05000	PORTAFUSIBILE/ FUSE HOLDER/ FUSE SUPPORT/ SICHERUNGSHALTER	1	1
9	145 0205 000	G02.12500	SCHEDA ELETTRONICA / ELECTRONIC CARD/ CARTE ELECTRONIQUE/ ELECTRONISCHE KARTE	1	1
10	145 0300 000	G02.10800	TELERUTTATORE 24V 120AH/ ELECTROMAGNETIC SWITCH/ TELERUPTEUR/ SCHALTER	2	2
11	145 0504 000	H01.25910	CONTENITORE BATTERIE/ BATTERIES CONTAINER / CAISSON POUR BATTERIE/ BATTERIE BEHAELTER	1	-
12	146 0295 000		CONTENITORE BATTERIE/ BATTERIES CONTAINER / CAISSON POUR BATTERIE/ BATTERIE BEHAELTER	-	2
13	145 0116 000		BATTERIA 12V 140AH/ BATTERY/ BATTERIE/ BATTERIEN	2	-
14	145 4663 000		TELAIO PER BATTERIE/ BATTERY FRAME/ BATTERY FRAME/ CHASSIS POUR BATTERIE/ BATTERIE RAHMEN	1	-
15	145 6094 000		PANNELLO PER BATTERIE/ RESTRAIN PANEL/ PANNEAU/ PANEL	1	-
16	145 1248 000	L02.06500	TAPPO A SCATTO / CAP/ BOUCHON/ PROPFEN	1	1
17	146 0374 000	L02.16170	TAPPO A SCATTO/ CAP/ BOUCHON/ PROPFEN	1	1
#18	146 0450 000	G07.002	PASSACAVO/ CABLE GUIDE/ GUIDE CABLE/ KABELFUEHRUNG	1	1
19	145 6062 000		CONNETTORE 50AH ROSSO/ CONNECTOR/ PRISE/ KUPPLUNGSTUECK	1	-
20	146 0307 000		BATTERIA 12V 19AH/ BATTERY/ BATTERIE/ BATTERIEN	-	2
21	145 4483 000	V02.09203	VITE TE M 5X16/ SCREW/ VIS/ SCHRAUBE	4	4
22	145 9133 000	V09.003	RONDELLA P.5X10/ WASHER/ RONDELLE/ BEILAGSCHIEBE	4	4
23	145 9287 000	V13.018	DADO AUTOBLOCCANTE M5/ SELF LOCKING NUT / ECROU/ MUTTER	4	4
24	145 9141 000	V02.06700	VITE TE M 6X16/ SCREW/ VIS/ SCHRAUBE	2	2
25	145 9229 000	V09.022	RONDELLA P. 6X12/ WASHER/ RONDELLE/ BEILAGSCHIEBE	2	2
26	145 9125 000	V13.06100	DADO E AUTOBLOC.M4// NUT / ECROU/ MUTTER	2	2
27	145 9261 000	V02.003	VITE TE M 6X16/ SCREW/ VIS/ SCHRAUBE	1	1
28	145 9128 000	V09.004	RONDELLA P.6X12/ WASHER/ RONDELLE/ BEILAGSCHIEBE	1	1
29	145 9233 000	V19.004	RONDELLA DENTATA A D 6/ WASHER/ RONDELLE/ BEILAGSCHIEBE	1	1
30	145 9154 000	V13.004	DADO M 6/ NUT / ECROU/ MUTTER	1	1
31	145 1721 000	F03.70250	STAFFA PORTA DIODO/ DIODE HOLDER/ DIODESUPPORT/ DIODE HALTER	-	1
32	146 0374 000	L02.16170	TIRANTE M6X32/ TENSION ROD/ TIRANT/ ZUGSTANGE	-	1
33	145 1194 000	V02.005	VITE TE M 6X25/ SCREW/ VIS/ SCHRAUBE	2	2
34	145 9229 000	V09.022	RONDELLA P.6X18/ WASHER/ RONDELLE/ BEILAGSCHIEBE	2	2
35	145 9129 000	V09.012	RONDELLA P.6X25/ WASHER/ RONDELLE/ BEILAGSCHIEBE	2	2
36	145 1129 000	V11.02330	RONDELLA SVASATA 6X16/ WASHER/ RONDELLE/ BEILAGSCHIEBE	2	2
#37	145 4488 000	V03.004	VITE TSPEI M 6X16/ SCREW/ VIS/ SCHRAUBE	2	2
38	145 1160 000	V05.01910	VITE TE 2,9X9,5 AUTOF./ SCREW/ VIS/ SCHRAUBE	3	3
39	145 1722 000	G05.11170	DIODO IR72/ DIODE/ DIODE / DIODE	-	1
40	145 5629 000		CAVO PIATTO/ FLAT CABLE/ CABLE/ KABEL	1	1
#41	145 8512 000	G02.12100	RELE' BLOCCO TRAZIONE/ RELAY/ RELAIS/ RELAIS	-	1

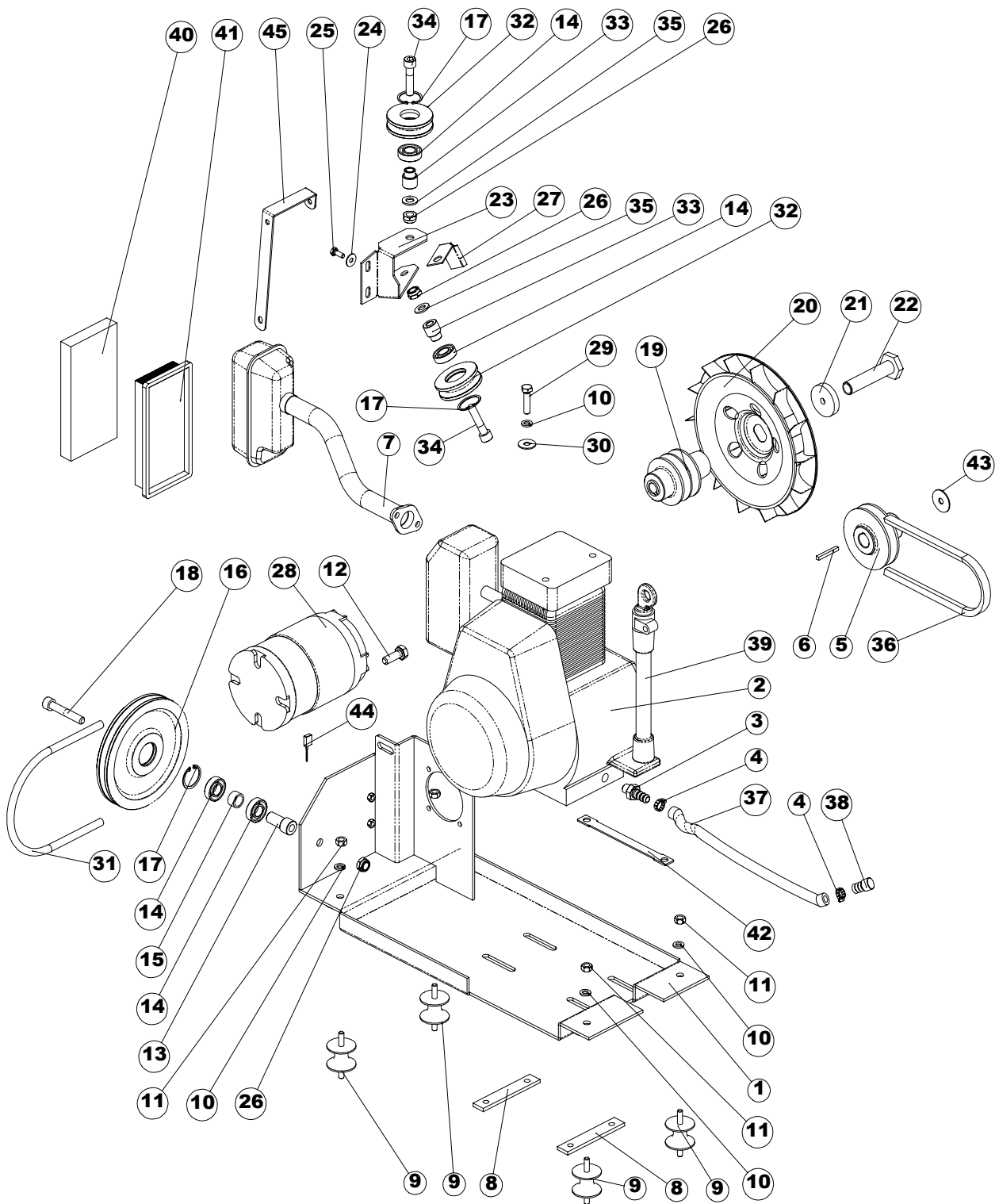


POSIZ ITEM POS EINSAT	CODICE CODE CODE NUMMER	INTERNO INTERNAL INTERIEUR INTERNE	DESCRIZIONE DESCRIPTION DESCRIPTION BEZEICHNUNG	B	P
1	146 0195 000		COLONNA STERZO/ STEERING COLUMN/ SUPPORT/ LENKSAULE	1	1
2	145 2388 000	E01.04800	BOCCOLA / BUSHING/ BAGUE/ BUECHSE	1	1
3	145 8244 000	G06.02400	FANALE/ HEADLIGHT/ PHARE/ SCHEINWERFER	1	1
4	145 3483 000	F03.62500	STAFFA/ BRACKET/ SUPPORT/ BUEGEL	1	1
5	145 8280 000	V09.05310	RONDELLA P. 5X15 INOX/ WASHER/ RONDELLE/ BEILAGSCHIEBE	2	2
6	145 4511 000	V11.003	RONDELLA SP.D.5/ WASHER/ RONDELLE/ BEILAGSCHIEBE	2	2
7	145 4483 000	V02.09203	VITE TE M 5X16/ SCREW/ VIS/ SCHRAUBE	2	2
8	146 0194 000		ASTA STERZO/ STEERING SHAFT/ ARBRE/ STEUER WELLE	1	1
9	146 0208 000		MANUBRIO/ PADDLE/ GUIDON/ LENKER	1	1
10	145 4261 000	L02.032	TAPPO A SCATTO/ CAP/ BOUCHON/ PFROPFEN	2	2
11	145 4546 000	V17.08400	SPINA ELASTICA 5X30 / SPRING PIN/ GOUPILLE/ STIFT	#2	#2
12	08283200		RONDELLA PLASTICA 6X12/ WASHER/ RONDELLE/ BEILLAGSCHEIBE	1	1
13	08812280		COPERCHIO INFERIORE/ LOWER COVER/ COUVERCLE INFERIEUR/ UNTERE DECKUNG	1	1
14	08812279		COLLARE VITE TCTC 3,6X16 AUTOF./ COLLAR/ BRIDE/ SCHELLE	2	2
15	08603192		VITE TCTC 3,6X16 AUTOF./ SELFLOCKING SCREW/ VIS/ SCHRAUBE	4	4
16	08812281		COPERCHIO SUPERIORE/ UPPER COVER/ COUVERCLE SUPERIOR/ OBENE DECKUNG	1	1
17	08812421		VITE TCTC 4,2X50 AUTOF./ SELFLOCKING SCREW/ VIS/ SCHRAUBE	5	5
#18	146 0385 000		STAFFA POTENZIOMETRO/ POTENTIOMETER BRACKET/ SUPPORT/POTI BUEGEL ( REPLACE 146 0215 000 – INTERCHANGEABLE)	1	1
19	146 0216 000		STAFFA PER MICRO/ BRACKET F. MICRO/ SUPPORT/ BUEGEL	1	1
20	145 9122 000	V11.02400	RONDELLA SVASATA 5/ WASHER/ RONDELLE/ BEILAGSCHIEBE	6	6
21	145 1239 000	V05.00703	VITE TCCI 3,9X13 AUTOF./ SELFLOCKING SCREW/ VIS/ SCHRAUBE	6	6
22	146 0217 000		COPERTURA MANUBRIO/ HANDLE COVER/ GUIDON COUVERCLE/ LENKER DECKUNG	1	1
23	08812337		RONDELLA P.9X25 NYLON/ WASHER/ RONDELLE/ BEILAGSCHIEBE	4	4
24	08812316		DISTANZIALE/ SPACER/ ENTRETOISE/ ABSTNDSTUECK	1	1
25	08812377		CONTATTO PER MICROINTERRUTTORE/ CONTACT F.MICROSWITCH/ CONTACT P. MICROINTERRUPTEUR/ KONTAKT F. MICROSCHALTER	#2	#2
#26	146 0403 000		MICROINTERRUTTORE/ MICROSWITCH/ MICROINTERUPTEUR/ MICROSCHALTER ( REPLACE 08812294 – INTERCHANGEABLE)	2	2
27	145 5518 000	G11.023	LAMPADINA 24V 21W/ LAMP/ LAMPE/ LAMPE	1	1
28	08093600		VITE TCCI M3X16/ SCREW/ VIS/ SCHRAUBE	4	4
29	08048300		DADO M3/ NUT / ECROU/ MUTTER	4	4
#30	146 0386 000		POTENZIOMETRO/ POTENTIOMETER/ POTENTIOMETRE/ POTENTIOMETER	1	1
31	146 0209 000		LEVA POTENZIOMETRO/ POTENTIOMETER LEVER/ POTENTIOMETRE LEVRIER/ POTENTIOMETER HEBEL	1	1
32	145 1773 000	V02.001	VITE TER M4X10/ SCREW/ VIS/ SCHRAUBE	1	1
33	146 0218 000		STAFFA PER LEVA /BRACKET F. CONTROL LEVER/SUPPORT P. LEVER/ BUEGEL	2	2
34	146 0193 000		CAVO ASPIRAZIONE/ VACUUM CABLE/ CABLE ASP./ SAUGKABEL	1	1
35	146 0199 000		COPRI COLONNA/ COLUMN COVERING/ COUVERCLE/ SAULEABDECKUNG	1	-
36	146 0278 000		COPRI COLONNA/ COLUMN COVERING/ COUVERCLE/ SAULEABDECKUNG	-	1
37	145 8261 000	G05.10700	INTERRUTTORE/ SWITCH/ INTERUPTEUR/ SCHALTER	1	1
#38	145 8160 000	E08.09100	CAVO STARTER/ STARTER CABLE/ CABLE/ KABEL	-	1
39	145 8885 000	G05.08200	PULSANTE/ PUSH BUTTON/ BOUTON POUSSOIR/ KNOPF	1	1
40	145 8884 000	G05.10200	INTERRUTTORE/ SWITCH/ INTERUPTEUR/ SCHALTER	1	1



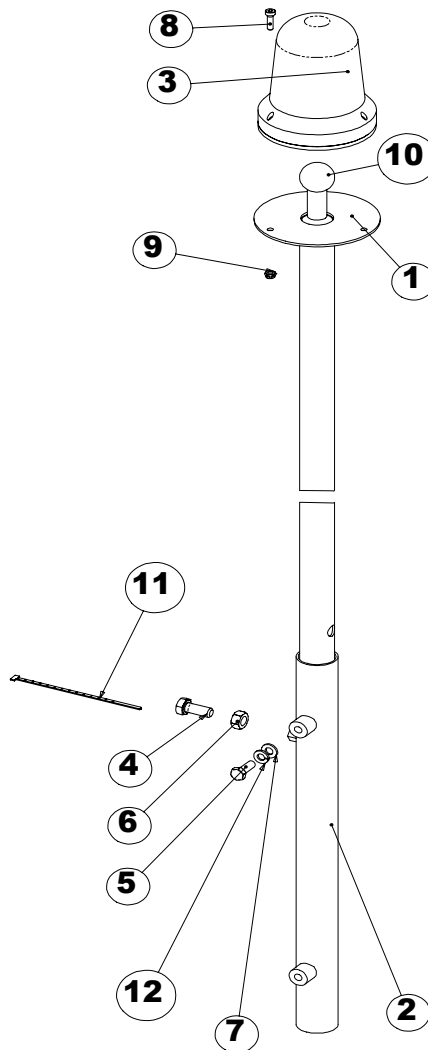


POSIZ ITEM POS EINSAT	CODICE CODE CODE NUMMER	INTERNO INTERNAL INTERIEUR INTERNE	DESCRIZIONE DESCRIPTION DESCRIPTION BEZEICHNUNG	B	P
41	145 1233 000	G11.008	LAMPADINA 24V 3W/ LAMP/ LAMPE/ LAMPE	1	1
42	145 8889 000	G03.08000	CONTATTO/ CONTACT/ CONTACT/ KONTAKT	1	1
43	145 8890 000	G03.08100	CONTATTO/ CONTACT/ CONTACT/ KONTAKT	1	1
44	145 0372 000	G05.11130	INTERRUTTORE A CHIAVE/ KEY SWITCH/ INTERRUPTEUR A CLE/ SCHLUSSELSCHALTER	1	-
#45	145 3786 000	G05.11110	INTERRUTTORE A CHIAVE/ KEY SWITCH/ INTERRUPTEUR A CLE/ SCHLUSSELSCHALTER	-	1
46	145 3724 000	G02.13650	SCHEDA DISPLAY/ DISPALY CARD/ PLATINE TABLEAU DE COMAND/ KONTROLPANEL KARTE	-	1
47	145 0226 000	G02.12600	SCHEDA DISPLAY/ DISPALY CARD/ PLATINE TABLEAU DE COMAND/ KONTROLPANEL KARTE	1	-
48	145 9817 000	G05.02300	INTERRUTTORE/ SWITCH/ INTERUPEUR/ SCHALTER	1	1
49	145 5121 000		DISTANZIALE/ SPACER/ ENTRETOISE/ ABSTNDSTUECK	3	3
50	08812343		MOLLA/ SPRING/ RESSORT/ FEDER	2	2
51	145 1301 000	P00.33360	SERIGRAFIA PLANCIA/ CONTROL PANEL DECAL/ ADHESIF POUR TABLEAU DE COMAND/ KLEBER FUER KONTROL PANEL	-	1
52	145 4373 000	P00.14500	SERIGRAFIA PLANCIA/ CONTROL PANEL DECAL/ ADHESIF POUR TABLEAU DE COMAND/ KLEBER FUER KONTROL PANEL	1	-
53	146 0301 000		MOLLA/ SPRING/ RESSORT/ FEDER	1	1
56	145 8160 000	E08.09100	CAVO STARTER/ STARTER CABLE/ CABLE/ ANLASSER KABEL	-	1
57	146 0073 00	L09.00010	CHIAVE BLOCCETTO ACCENSIONE/ IGNITION KEY/ CLE/ SCHLUSSEL	-	1
#58	146 0282 000		CAVO SPAZZOLA CENTRALE/ MAIN BROOM CABLE/ CABLE BROUSSE CENTRALE/ HAUPKEHRWALZE KABEL	-	1



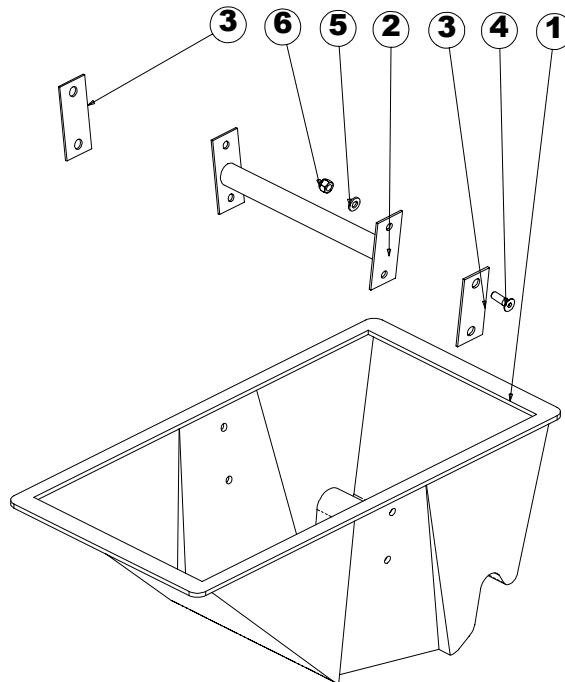
POSIZ ITEM POS EINSAT	CODICE CODE CODE NUMMER	INTERNO INTERNAL INTERIEUR INTERNE	DESCRIZIONE DESCRIPTION DESCRIPTION BEZEICHNUNG	B	P
1	146 0279 000		PIASTRA MOTORE/ ENGINE PLATE/ MOTEUR PLAQUE/ MOTOR PLATTE		1
2	145 5886 000		MOTORE BENZINA 3,8 HP/ ENGINE / MOTEUR/ MOTOR		1
3	145 4350 000	M03.20700	PORTAGOMMA M12X1,5/ RUBBER HOLDER/ SUPPORT/ HALTER		1
4	145 8582 000	V20.02200	FASCETTA/ CLAMP/ COLLIER/ PASSRING		2
5	145 1288 000	E03.18360	PULEGGIA/ PULLEY/ POULIE/ SCHEIBE		1
6	145 8011 000	V17.06100	CHIAVETTA/ KEY/ CLAVETTE/ KEILNUT		1
7	145 5883 000		TUBO DI SCARICO/ EXHAUST / MARMITTE/ AUSPUFFTOPF		1
8	145 1293 000	F03.68200	PIATTINA/ PLATE/ PLAQUE/ BAND		2
#9	145 8054 000	L02.07900	ANTIVIBRANTE/ VIBRATION DAMPING/ SILENT BLOC/ SCHWINGUNGSDAEMPFER ( REPLACE 145 9215 000 – INTERCHANGEABLE)		4
10	145 4512 000	V11.005	RONDELLA SP.8/ WASHER/ RONDELLE/ BEILAGSCHIEBE		6
11	145 9123 000	V13.005	DADO E M8/ NUT / ECROU/ MUTTER		4
12	145 9874 000	V02.021	VITE TE M10X30/ SCREW/ VIS/ SCHRAUBE		1
13	145 9862 000	E02.57900	ALBERO/ SHAFT/ ARBRE/ WELLE		1
14	145 8196 000	E00.001	CUSCINETTO 6002 2RS/ BALL BEARING/ROULEMENT/ LAGER		4
15	145 2688 000	E05.17200	DISTANZIALE/ SPACER/ ENTRETOISE/ ABSTNDSTUECK		1
16	145 2614 000	E03.18000	PULEGGIA/ PULLEY/ POULIE/ SCHEIBE		1
#17	145 9161 000	V14.003	SEEGER I 32/ RETAINING RING/ CIRCLIPS/ SICHERUNGSRING		4
18	145 1235 000	V04.04200	VITE TCEI M10X60/ SCREW/ VIS/ SCHRAUBE		1
19	146 0280 000		PULEGGIA/ PULLEY/ POULIE/ SCHEIBE		1
20	145 9179 000	B03.001	VENTILATORE/ FAN/ VENTILATEUR/ VENTILATOR		1
21	145 9180 000	E05.027	DISTANZIALE/ SPACER/ ENTRETOISE/ ABSTNDSTUECK		1
22	145 1289 000	V02.12840	VITE 5/16"X40/ SCREW/ VIS / SCHRAUBE		1
23	145 3534 000	F03.68890	STAFFA/ BRACKET/ SUPPORT/ BUEGEL		1
24	145 9229 000	V09.022	RONDELLA P.6X18/ WASHER/ RONDELLE/ BEILAGSCHIEBE		1
25	145 9261 000	V02.003	VITE TE M6X16/ SCREW/ VIS/ SCHRAUBE		1
26	145 4518 000	V13.021	PULEGGIA/ PULLEY/ POULIE/ SCHEIBE		1
27	145 3359 000	F03.35500	GUIDACINGHIA/ BELTSUPPORTING PLATE/ GUIDE CURROIE/ RIEMENFUEHRER		1
28	145 1290 000	A03.08730	DINAMOTORE 400W 24V/ GENERATOR/ GENERATEUR/ LICHTMASCHINE		1
29	145 9217 000	V02.051	VITE TE M 8X35/ SCREW/ VIS/ SCHRAUBE		1
30	146 0245 000	V09.030	RONDELLA P.8X24/ WASHER/ RONDELLE/ BEILAGSCHIEBE		1
31	145 0216 000	H00.13900	CINGHIA/ BELT / CURROIE/ RIEMEN		1
32	145 0278 000	E03.18100	PULEGGIA/ PULLEY/ POULIE/ SCHEIBE		2
33	145 2654 000	E02.63200	PERNO/ PIN / AXE/ STIFT		2
34	145 4496 000	V04.03700	VITE TCEI M10X45/ SCREW/ VIS/ SCHRAUBE		2
35	145 9320 000	V09.006	RONDELLA P 10X21/ WASHER/ RONDELLE/ BEILAGSCHIEBE		2
36	145 1292 000	H00.015	CINGHIA A31/ BELT / CURROIE/ RIEMEN		1
37	146 0286 000		TUBO SCARICO OLIO L=500mm/ OIL OUTLET PIPE/ TUYAU D'HUILE USAGEE/ OELABLASSSCHLAUCH		1
38	145 9220 000	M03.003	TAPPO/ CAP/ BOUCHON/ PFROPFEN		1
39	145 2099 000	A04.11700	ASTA LIVELLO OLIO/ OIL LEVEL STICK/ OIL NIVEAU TIRANT/ LAMELLE POUR NIVEAU D'HUILE/		1
40	145 5971 000		PREFILTRO/ PREFILTER/ PRE-FILTER/ VORFILTER		1
41	145 5885 000		FILTRO ARIA/ AIR FILTER ELEMENT/ FILTER AIR/ LUFT FILTER		1
42	145 9353 000	G08.002	TRECCIA PER MASSA/ PLAIT/ MASSE/ GURT		1
43	145 9171 000	V09.025	RONDELLA PIANA 8X32/ WASHER / RONDELLE/ BEILAGSCHEIBE		1
44	145 8360 000	A11.00800	SPAZZOLA MOT.ELETTRICO/ CARBON BRUSH/ CHARBON/ KOHLENBUERSTE		4
45	146 0346 000		STAFFA / BRACKET/ SUPPORT BUEGEL		1

OPT 1: CODICE PARTE #146 0446 000 LUCE PIVOETTANTE  
PART NUMBER #146 0446 000 FLASHING BEACON



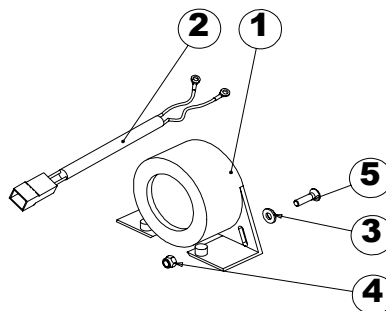
POSIZ ITEM	CODICE CODE	INTERNO INTERNAL	DESCRIZIONE DESCRIPTION	B	P
1	145 5286 000		Asta luce pivoettente/ Shaft	1	1
2	145 5287 000		Supporto asta/ Bracket support	1	1
3	146 0146 00	G06.04310	Luce rotante 24V 21W/ Flashing light 24 V 21W	1	1
4	145 9170 000	V02.013	Vite TE M8x20/ Screw	1	1
5	145 9227 000	V02.004	Vite TE M6x20/ Screw	2	2
6	145 9123 000	V13.005	Dado M8/ Nut	1	1
7	145 9128 000	V09.004	Rondella piana 6x12/ Washer	2	2
8	145 9419 000	V01.02703	Vite TCCI M3x25/ Screw	3	3
9	145 9124 000		Dado autobloccante M3/ Selflocking nut	3	3
10	145 5518 000	G11.023	Lampadina 24V 21W	1	1

OPT 2: CODICE PARTE **145 5251 000** MINI CONTENITORE RIFIUTI ( 2 kit per macchina)  
PART NUMBER **145 5251 000** MINI CONTAINER FOR HOPPER ( 2 required per machine)



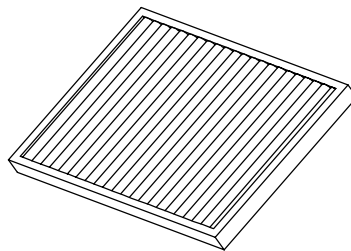
POSIZ ITEM	CODICE CODE	INTERNO INTERNAL	DESCRIZIONE DESCRIPTION	B	P
1	145 5250 000		Cestello portarifiuti/ Dirt container	1	1
2	145 5249 000		Maniglia/ Handle	1	1
3	145 3430 000	F03.49400	Piastrina rinforzo/ Reinforcement plate	2	2
4	145 9309 000	V03.003	Vite TSPEI M6X20/ Screw	4	4
5	145 9128 000	V09.004	Rondella piana 6x12.5/ Plain washer	4	4
6	145 9132 000	V13.019	Dado autobloccante M6/ Self locking nut	4	4

OPT 3: CODICE PARTE **#146 0444 000** ALLARME RETROMARCIA  
PART NUMBER **#146 0444 000** BACK- UP ALARM



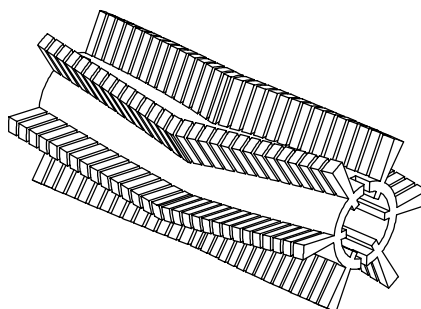
POSIZ ITEM	CODICE CODE	INTERNO INTERNAL	DESCRIZIONE DESCRIPTION	B	P
1	145 5817 000		Segnalatore acustico/ Alarm	1	-
2	145 5818 000		Cablaggio/ Harness	1	-
3	145 9122 000	V11.02400	Rondella E. curva d.5/ Washer	2	-
4	145 9287 000	V13.018	Dado E. autobloccante M5/ Selflocking nut	2	-
5	145 5030 000	V03.02200	Vite TSPEI M5x20/ Screw	2	-

## OPT 4: FILTRI / FILTERS



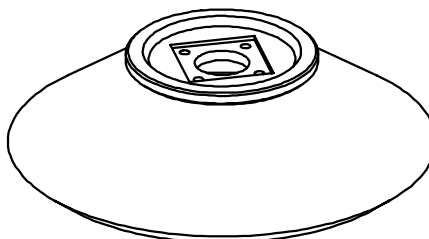
POSIZ ITEM	CODICE CODE	INTERNO INTERNAL	DESCRIZIONE DESCRIPTION	B	P
1	146 0188 000		Filtro a pannello in carta/ Paper filter standard	1	1
1	146 0332 000		Filtro in poliestere lavabile/ Washable polyester filter	1	1
#1	146 0367 000		Filtro antistatico / Antistatic filter	1	-

## OPT 5: SPAZZOLE CENTRALI / MAIN BROOMS



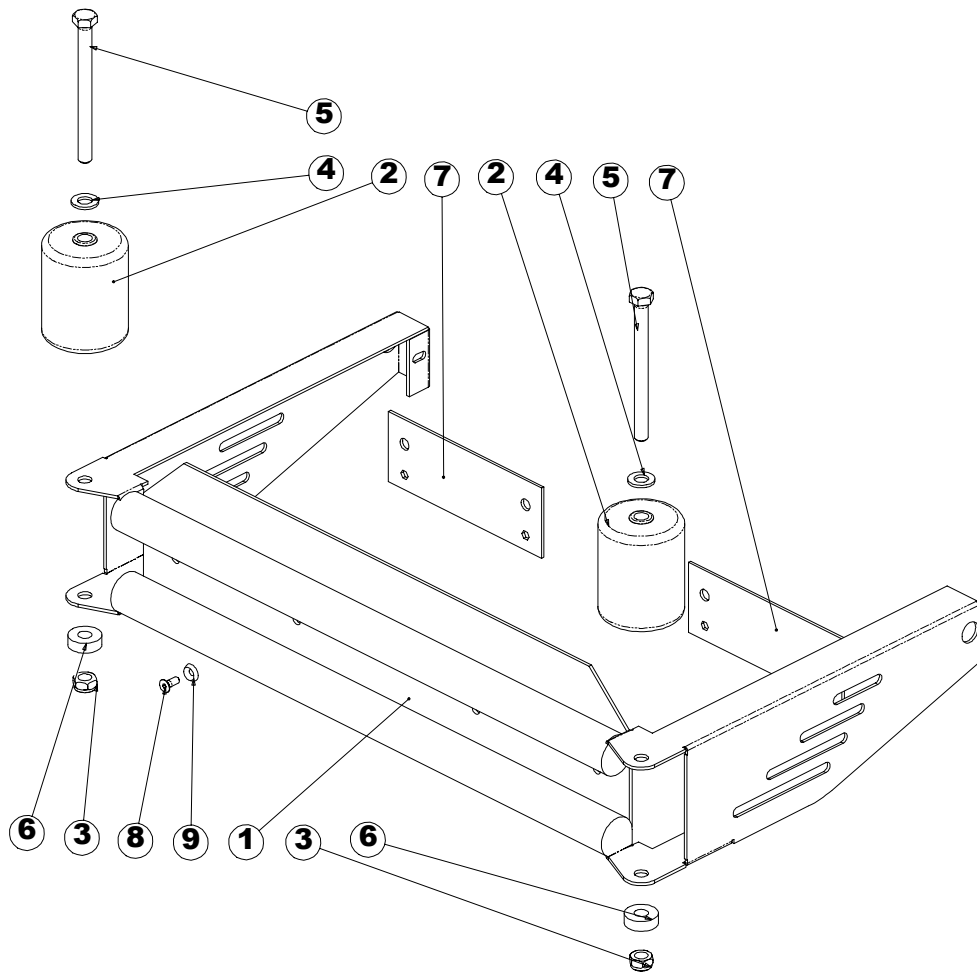
POSIZ ITEM	CODICE CODE	INTERNO INTERNAL	DESCRIZIONE DESCRIPTION	B	P
1	145 4845 000		Spazzola centrale std ppl 0,7/ Main broom std ppl 0,7 Ø 265 mm x 580 mm	1	1
1	145 4981 000		Spazzola centrale in saggina/ Main broom natural fibre Ø 265 mm x 580 mm	1	1
1	146 0299 000		Spazzola centrale in saggina moquette/ Main broom natural fibre Ø 245 mm x 580 mm	1	
1	146 0298 000		Spazzola centrale ppl 0,7 moquette / Main broom ppl 0,7 Carpet Ø 245 mm x 580 mm	1	

## OPT 6: SPAZZOLE LATERALI / SIDE BROOMS



POSIZ ITEM	CODICE CODE	INTERNO INTERNAL	DESCRIZIONE DESCRIPTION	B	P
1	145 1899 000		Spazzola laterale std ppl 0,8/ Side broom std ppl 0,8 Ø 180 mm x 420 mm	1	1
1	145 4976 000		Spazzola laterale in saggina/ Side broom natural fibre Ø 180 mm x 420 mm	1	1
1	145 4959 000		Spazzola laterale misto-acciaio/ Side broom union mix Ø 180 mm x 420 mm	1	1
1	145 4976 000		Spazzola laterale sag. moquette/Side broom natural fibre Carpet Ø 180 mm x 420 mm	1	-

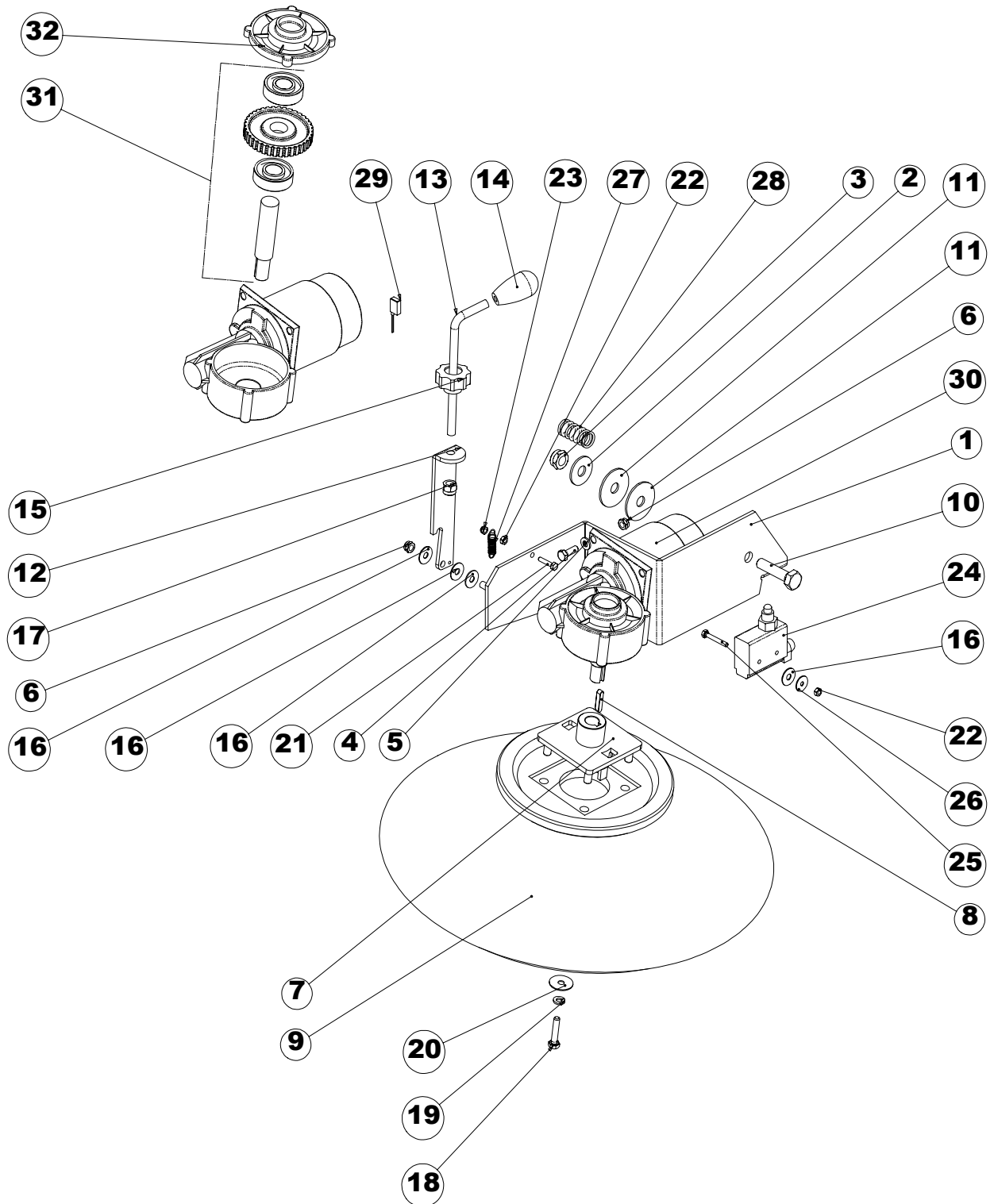
## OPT 6: PARAURTI / BUMPER



POSIZ ITEM	CODICE CODE	INTERNO INTERNAL	DESCRIZIONE DESCRIPTION	B	P
1	145 5770 000		Paraurti/ Bumper/ Parachocs/ Stossdampfer	1	1
2	145 6032 000		Rullo paracolpi/ Roller bumper/ Rouleau parachocs/ Stossdampfer rolle	2	2
3	145 9167 000	V13.022	Dado autobloccante/ Selflocking nut/ Ecrou/ Mutter	2	2
4	145 9165 000	V09.007	Rondella piana d.12x24/ Washer/ Rondelle/ Beilagscheibe	2	2
5	145 6008 000		Vite te m12x140/ Screw/ Vis/ Schraube	2	2
6	145 6036 000		Distanziale 12.5x30x10/ Spacer/ Entretoise/ Abstandstueck	2	2
7	145 5811 000		Staffa/ Bracket/ Support/ Support / buegel	2	2
8	145 4488 000	V03.004	Vite tspei m6x16/ Screw/ Vis/ Schraube	8	8
9	145 1129 000	V11.02330	Rondella svasata m6x16/ Washer/ Rondelle/ Beilagscheibe	6	6



# OPT 7: KIT SPAZZOLA SINISTRA / LEFT SIDE BRUSH KIT 145 5261 000



## # OPT 7: KIT SPAZZOLA SINISTRA / LEFT SIDE BRUSH KIT 145 5261 000

POSIZ ITEM	CODICE CODE	INTERNO INTERNAL	DESCRIZIONE DESCRIPTION	B	P
1	145 1770 000	F03.70020	Staffa sx / Right bracket	1	1
2	145 4505 000	V09.019	Rondella piana 10x30 / Plain washer	1	1
3	145 4518 000	V13.021	Dado autobloccante m10 / Selflocking nut M10	1	1
4	145 9227 000	V02.004	Vite Te M6X20 / Screw Hex. Hd. M 6x20	4	4
5	145 9128 000	V09.004	Rondella piana 6x12 / Plain washer 6x12	4	4
6	145 0407 000	V13.05900	Dado autobloccante basso M6/ Self locking nut	2	2
7	146 0402 000		Flangia portaspazzola / Brushholder	1	1
8	145 8024 000	V17.07000	Linguetta 5x5x25 / Tab	1	1
9	145 1899 000		Spazzola laterale 180x420 PPL 0,8 / Side brush	1	1
10	145 1771 000	V02.12800	Vite te M10X45 / Screw	1	1
11	145 1208 000	V09.027	Rondella piana 10x40/ Plain washer	2	2
12	145 5077 000		Leva spazzola laterale sinistra / Left side brush bracket	1	1
13	145 2573 000	E02.66400	Tirante per spazzola laterale / Tension rod	1	1
14	145 9319 000	L03.02400	Manopola / Knob	1	1
15	145 8484 000	L02.13000	Volantino / Handwheel	1	1
16	145 9229 000	V09.022	Rondella piana 6x24 / Plain washer	4	4
17	145 9201 000	V13.020	Dado autobloccante M8/ Selflocking nut	1	1
18	145 8290 000	V02.11910	Vite te M6x20/ Screw Hex. Hd. M6x20	1	1
19	145 9228 000	V11.004	Rondella spaccata d.6 / Washer	1	1
20	145 9129 000	V09.012	Rondella piana 6x24 / Plain washer	1	1
21	145 1203 000	V02.11810	Vite TE M4x20 / Screw Hex. Hd. M4x20	1	1
22	145 9145 000	V13.002	Dado M4 / Nut	2	2
23	145 9125 000	V13.06100	Dado autobloccante M4 / Selflocking nut	1	1
24	145 8854 000	G05.10300	Microinterruttore / Microswitch	1	1
25	145 1201 000	V02.09503	Vite TE M4x30 / Screw Hex. Hd. M4x30	1	1
26	145 4508 000	V09.05703	Rondella piana 4x16 / Plain washer	1	1
27	145 9290 000	E04.05200	Molla / Spring	1	1
28	145 0276 000	E04.017	Molla / Spring	1	1
29	145 2224 000	A11.04500	Carboncino / Carbon brushes	2	2
30	145 2127 000	A05.01730	Motoriduttore sx 60W 24V	1	1
31	145 2221 000	A11.00901	Ingranaggio completo/ Gear complete	1	1
32	145 1206 000	A11.0400	Coperchio motoriduttore / Reduction gear cover	1	1

CODE	INTERNAL CODE	ITEM DESCRIPTION	REF. DRAW	ITEM	CLASS	NOTE
145 1899 000		SIDE BROOM	G	10	W	
146 0298 000		MAIN BROOM	F	10	W	
145 0214 000		FRONT FLAP	E	2	W	
145 1212 000		RIGHT SIDE FLAP	E	22	W	
145 1216 000		LEFT SIDE FLAP	F	13	W	
145 1188 000		REAR FLAP	E	15	W	
146 0188 000		PANEL FILTER	C	3	W	
145 8360 000		CARBON BRUSHES SUCT.MOTOR	I	30	OM	
145 0247 000		FRONT WHEEL	H	27	OM	
145 1190 000		REAR WHEEL	E	25	OM	
145 0267 000		FLAP CABLE	E	38	OM	
145 2761 000		BRAKE CABLE	E	39	OM	
145 8019 000		MAIN BROOM BELT	F	22	OM	
145 2614 000		PULLEY FOR FAN	I	17	EM	
145 0226 000		ELECTRONIC CARD DISPLAY	K	46	EM	
146 0006 000		ON/OFF KEY SWITCH	K	54	EM	
145 4373 000		CONTROL PANEL DECAL	K	52	EM	
145 0275 000		MOTOR AND GEAR BOX RIGHT SIDE BRUSH	G	4	EM	
145 8399 000		SHAFT AND GEAR RIGHT SIDE BRUSH MOTOR	G	33	EM	
145 2224 000		CARBON BRUSHES MOTOR GEAR	G	32	OM	
145 9179 000		SUCTION FAN	I	9	EM	
145 8196 000		BALL BEARING	I	18	EM	
145 0222 000		CHAIN STEARING CROWN	H	34	EM	
146 0193 000		SUCTION DOOR CABLE	K	34	EM	
#146 0403 000		MICRO SWITCH	K	26	EM	
145 0205 000		ELECTRONIC CARD	J	9	EM	
145 5629 000		FLAT CABLE	J	40	EM	
145 9817 000		LIGHT SWITCH	K	48	EM	
145 8885 000		FILTER SHAKER PUSH BOTTON	K	39	EM	
145 8854 000		MICROSWITCH SIDE BRUSH	G	27	EM	
145 8261 000		SPEED REDUCER SWITCH	K	37	EM	
145 5518 000		LAMP 24V 21 W	K	27	EM	
145 9854 000		FUSE 50 A	J	7	EM	
146 0386 000		POTENTIOMETER	K	30	EM	
145 9136 000		LOCK FOR HOPPER	J	4	EM	
145 1290 000		GENERATOR	L	28	EM	
145 2614 000		PULLEY	L	16	EM	
145 0216 000		BELT	L	31	EM	
#145 3786 000		KEY SWITCH PETROL VERSION	K	45	EM	
145 0372 000		KEY SWITCH BATTERY VERSION	K	44	EM	

**CLASS:****W** = NORMAL WEAR PART**OM** = ORDINARY MAINTENANCE**EM** = EXTRA-ORDINARY MAINTENANCE



Nilfisk-Advance Italia S.p.A

Località Novella Terza

26862 Guardamiglio (Lodi) Italia

[www.nilfisk-advance.com](http://www.nilfisk-advance.com)

Phone: +39 0377 451124

Fax: +39 0377 51443

Printed in Italy