

# SC350

---

Model:  
SC350



Part List US-English

11-03-2013

# Nilfisk

[www.nilfisk.com](http://www.nilfisk.com)

# Table of Contents

SC350

<b>GENERAL VIEW</b>	<b>3</b>
<b>COVER AND TANKS</b>	<b>5</b>
<b>FRAME</b>	<b>7</b>
<b>HANDLE SUPPORT</b>	<b>9</b>
<b>HANDLE BAR</b>	<b>11</b>
<b>BRUSH DECK 1</b>	<b>13</b>
<b>BRUSH DECK 2</b>	<b>15</b>
<b>RECOMMENDED SPARE PARTS</b>	<b>17</b>

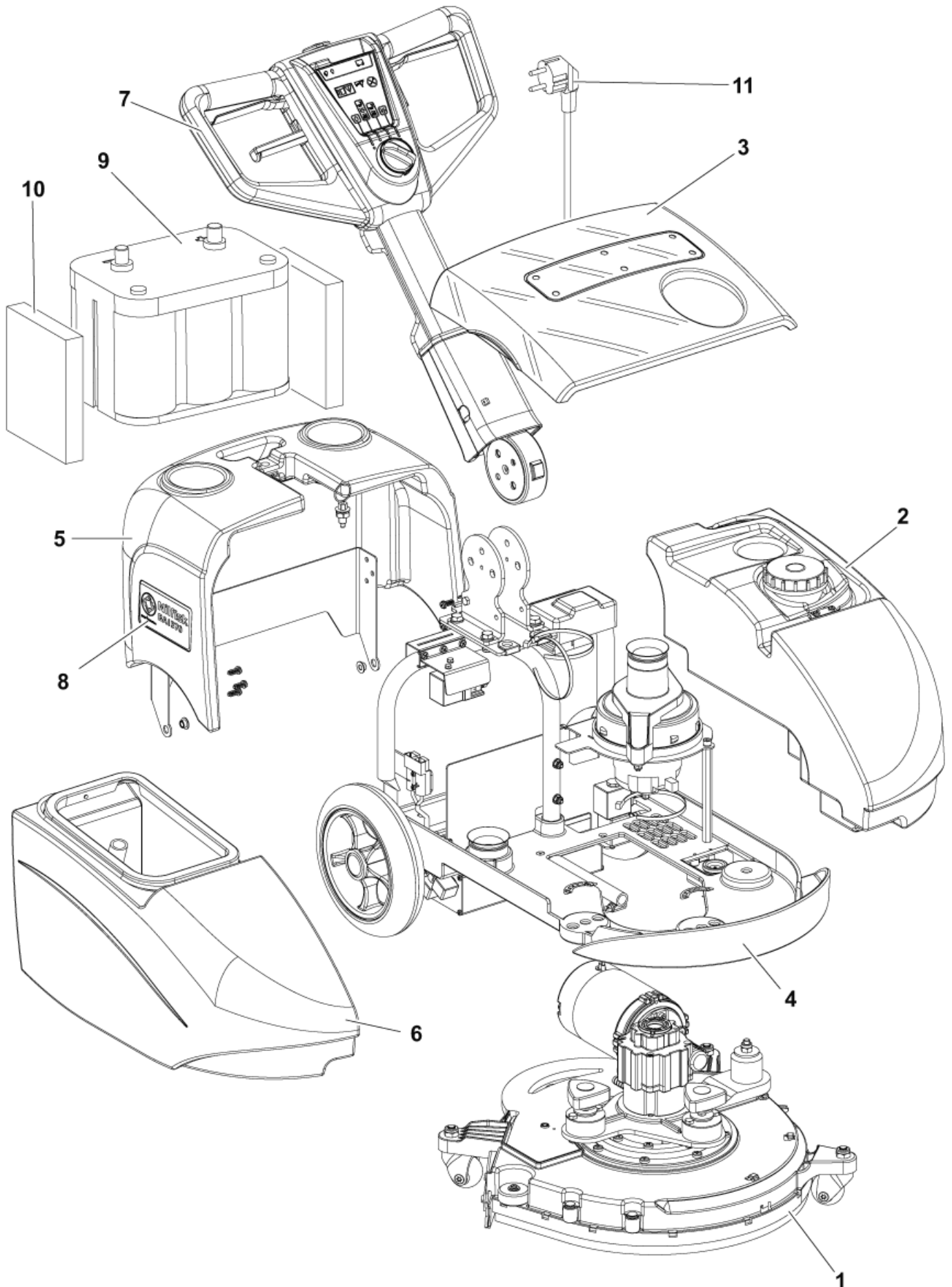
# GENERAL VIEW

SC350

11-03-2013

Part List ID  
SC350010

3



# GENERAL VIEW

SC350

11-03-2013

Part List ID  
SC350010

4

Pos	Part no.	Qty	Description	
1		1	USE LINK	DECK
2		1	USE LINK	SOLUTION TANK
3		1	USE LINK	COVER TANK
4		1	USE LINK	FRAME
5		1	USE LINK	BATTERY COVER
6		1	USE LINK	RECOVERY TANK
7		1	USE LINK	HANDLE
8	9099000000	1	DECALS KIT BA 370	
9	1464853000	1	BATTERY DISCOVER 12V 84Ah	OPTIONAL
9	9098977000	1	BATTERY 12V 55AH	
10	9098934000	2	PANEL BATTERY 30X170X110MM	
11	909 5633 000	1	CABLE EXTENSION	
11	909 5676 000	1	CABLE EXTENSION UK PLUG	

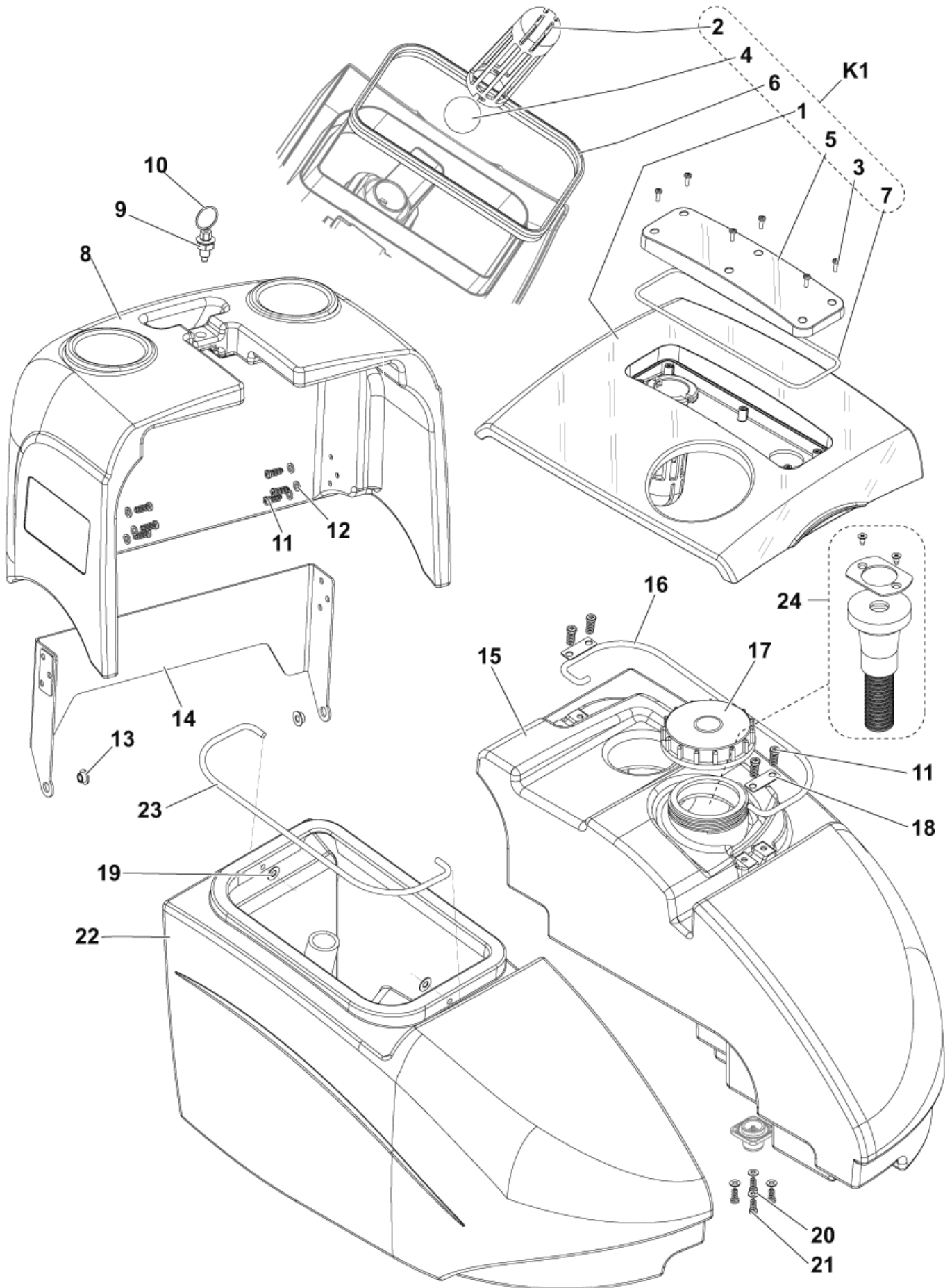
# COVER AND TANKS

SC350

11-03-2013

Part List ID  
SC350030

5



# COVER AND TANKS

SC350

11-03-2013

Part List ID  
SC350030

6

Pos	Part no.	Qty	Description	
6	9099127000	1	GASKET TANK COVER KIT	
8	9098318000	1	BATTERY COVER	
9	145 1147 000	1	WASHER 10.2X18.8X0.35	10.2x18.8X0.35
10	146 2449 000	1	PLUNGER INDEXING	
14	9098309000	1	SUPPORT BATTERY COVER	
15	9098149000	1	TANK SOLUTION RAL 7001	
16	9098776000	1	HANDLE SOLUTION TANK	
17	9099155000	1	CAP THREADED 70X5	
18	9098621000	2	PLATE HANDLE TANK	
19	9098473000	2	COVER PIN	
22	9098148000	1	TANK RECOVERY RAL7001	
23	9098391000	1	HANDLE RECOVERY TANK	
24	9099011000	1	HOSE FILLING KIT	OPTIONAL
K1	9098989000	1	COVER KIT	Pos 1-2-3-4-5-6-7
K2	9098990000	1	HARDWARE COVER AND TANKS	NOT SHOWN - Pos 3-11-12-13-20-21

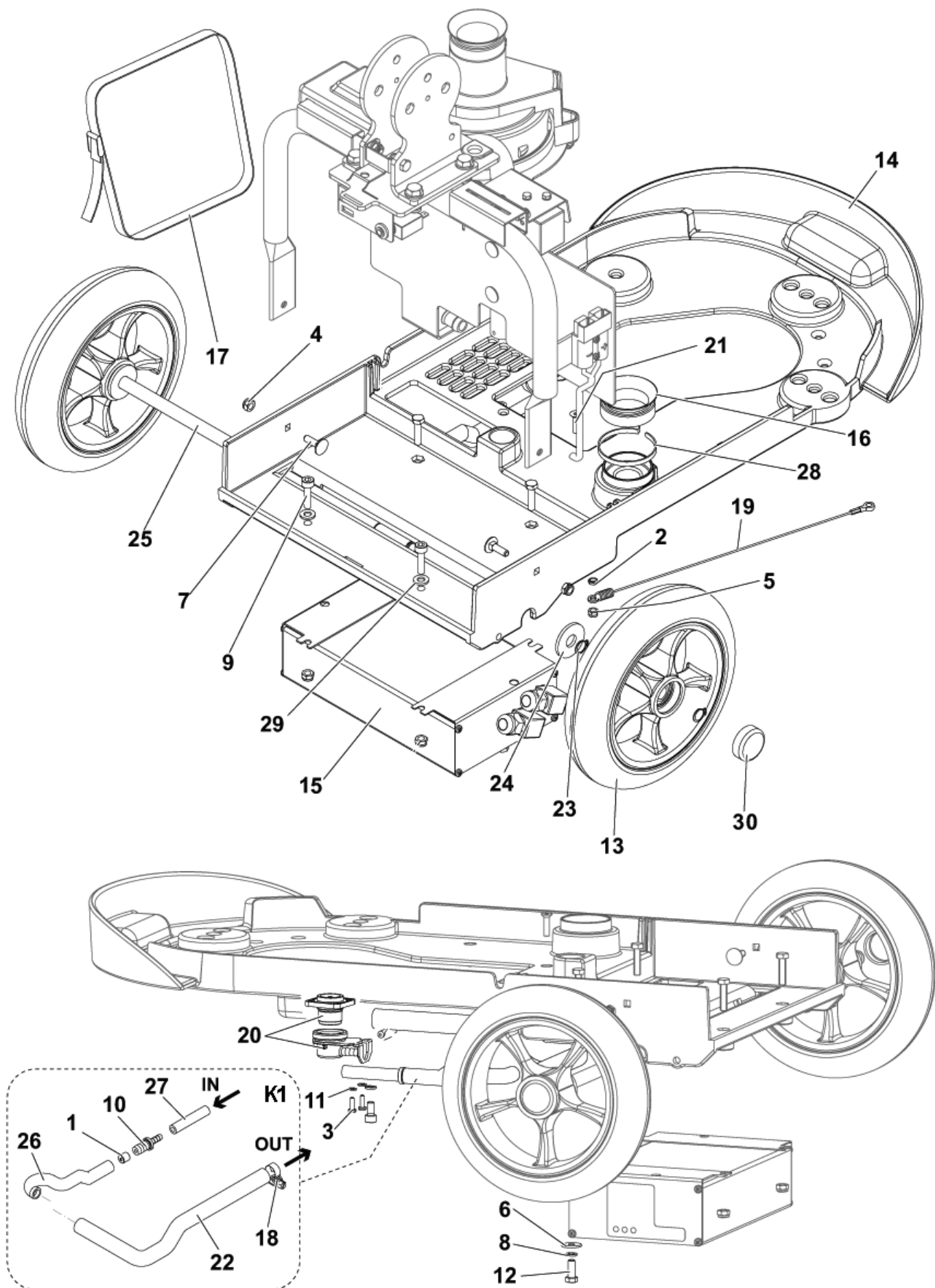
# FRAME

SC350

11-03-2013

Part List ID  
SC350050

7



# FRAME

SC350

11-03-2013

Part List ID  
SC350050

8

Pos	Part no.	Qty	Description	
0	9099926000	1	SUPPORT FOR GASKET KIT	
13	9098237000	2	WHEEL D.200MM	
14	9099927000	1	CHASSIS KIT	
15	9098188000	1	CHARGER BATTERY 12V 12A	
16	9098319000	1	GASKET	
17	146 3054 000	1	BELT BATTERY FIXING	
19	9099042000	1	CABLE DECK	
20	9098697000	1	VALVE WATER COMPLETE	
25	9098310000	1	PIN WHEEL	
28	33003513	1	CLAMP 290X4.8	
30	9098915000	2	PLUG WHEEL	
K1	9098992000	1	HOSE KIT	Pos 1-10-18-22-26-27
K2	9098993000	1	HARDWARE FRAME KIT	NOT SHOWN - Pos 2-3-4-5-6-7-8-9-11-12-21-23-24-28-



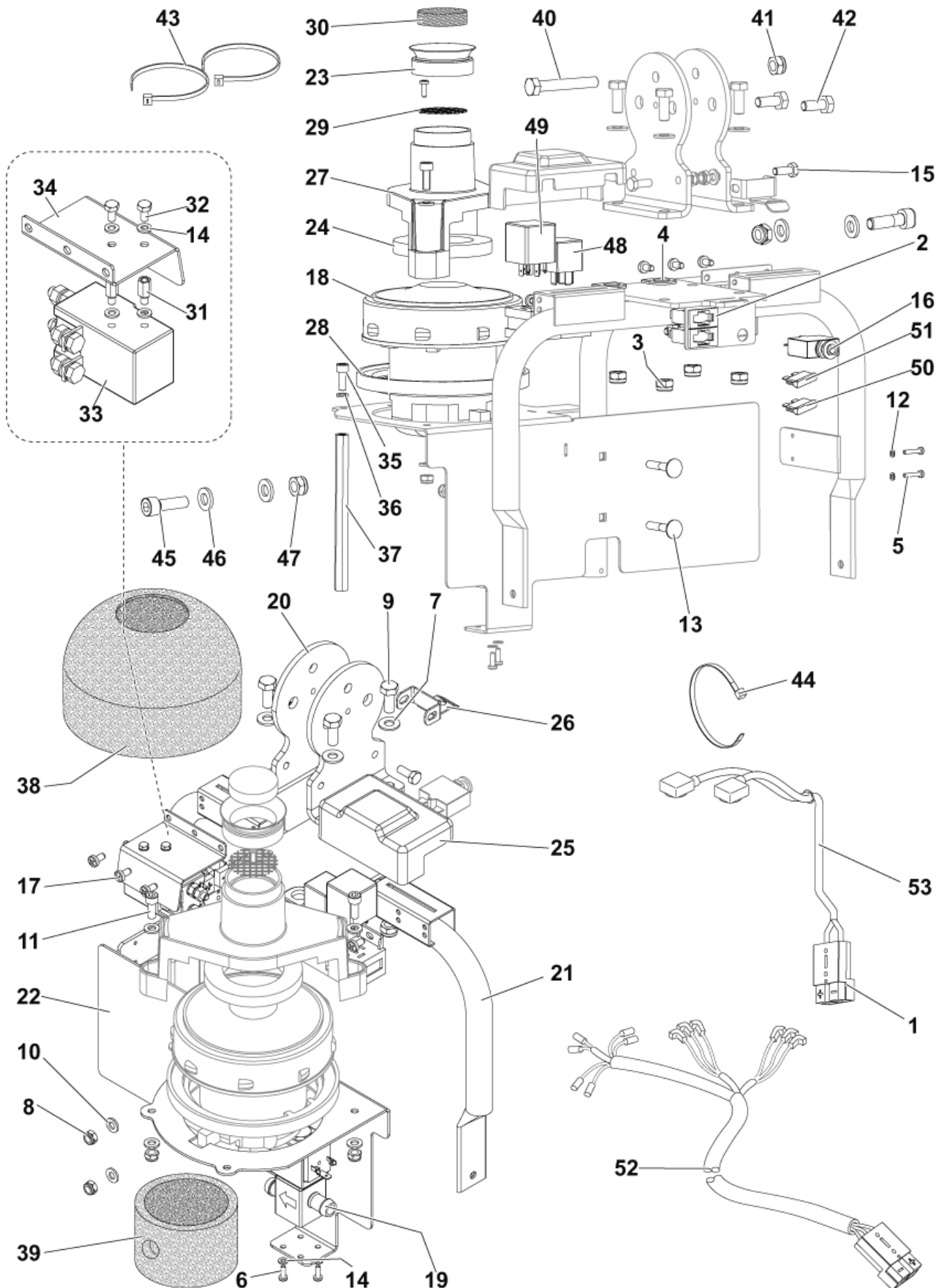
# HANDLE SUPPORT

SC350

11-03-2013

Part List ID  
SC350070

9



# HANDLE SUPPORT

SC350

11-03-2013

Part List ID  
SC350070

10

Pos	Part no.	Qty	Description
1	9098760000	2	CONNECTOR 50A GREY
2	9098924000	2	FUSE HOLDER
4	909 6542 000	2	GROMMET
16	909 5706 000	1	BREAKER CIRCUIT 30A
18	9098111000	1	MOTOR VACUUM 12V 200W
19	9098112000	1	SOLENOID VALVE 12V
20	9098185000	2	BRACKET HANDLE
21	9098267000	1	SUPPORT HANDLE
22	9098268000	1	SUPPORT VACUUM MOTOR
23	9098319000	1	GASKET
24	9098327000	1	GASKET VACUUM MOTOR
25	9098365000	1	COVER RELAY
26	9098482000	1	BRACKET PLUNGER BLOCK
27	9098483000	1	COVER VACUUM MOTOR
28	9098554000	1	GASKET VACUUM MOTOR
29	9098654000	1	PROTECTION
30	9098655000	1	FILTER VACUUM MOTOR
33	9098424000	1	SWITCH ELECTROMAGNETIC 12V 70A
34	9098560000	1	PLATE SUPPORT ELECTR.SWITCH
37	9098559000	1	SPACER SUPPORT VACUUM MOTOR
38	9098656000	1	CASING VACUUM MOTOR
39	9098925000	1	CASING LOWER VACUUM MOTOR
48	9098441000	1	RELAY 12V
49	9098375000	1	TIMER CYCLICAL
50	145 8513 000	1	FUSE BLADE 30A UL
51	145 9852 000	1	FUSE BLADE 5A UL
52	9098387000	1	HARNESS MACHINE
53	9098849000	1	HARNESS BATTERY
K1	9098994000	1	HARDWARE HANDLE BAR SUPP.KIT

NOT SHOWN - Pos 3-5-6-7-8-9-10-11-12-13-14-15-17-3

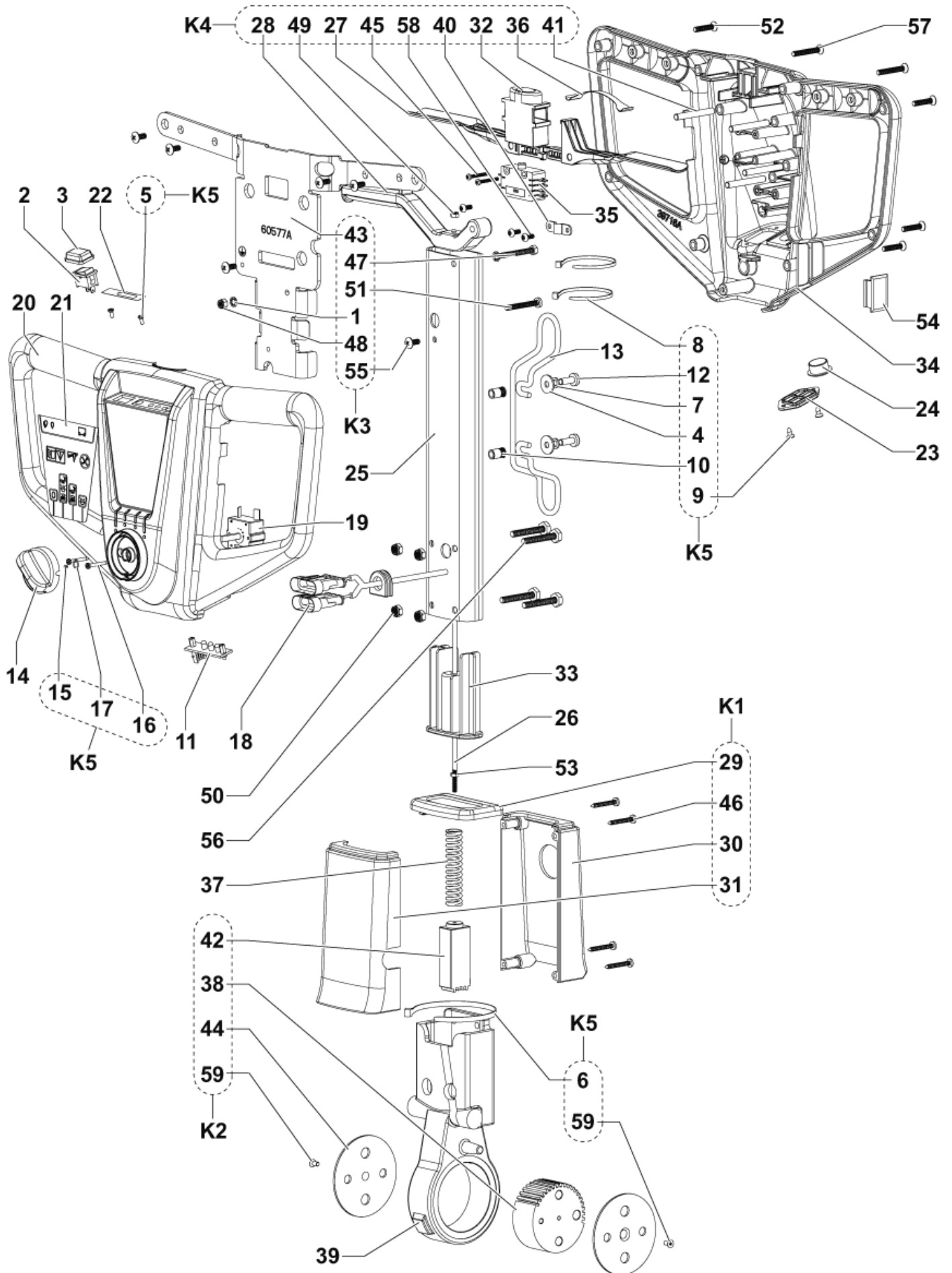
# HANDLE BAR

SC350

11-03-2013

Part List ID  
SC350090

11



# HANDLE BAR

SC350

11-03-2013

Part List ID  
SC350090

12

Pos	Part no.	Qty	Description	
2	L08603153	1	SWITCH PUMP	
3	L08603154	1	CAP PROTECTION	
11	146 3073 000	1	BOARD LED	
13	909 5149 000	1	SUPPORT CABLE	
14	9097283000	1	KNOB CONTROL FUNCTIONS	
18	9098386000	1	HARNESS HANDLE BAR	
19	9098405000	1	SWITCH ROTATIVE 4 POSITIONS	
20	9098530000	1	FRONT COVER OF HANDLE	
21	9098615000	1	DECAL CONTROL PANEL	
22	9098616000	1	DECAL BATTERY LED	
23	9098812000	1	CAP FOR HANDLE	
24	9098813000	1	CAP D.18.5/D.24MM BLACK	
25	9098835000	1	TUBE OF HANDLE	
26	9098836000	1	ROD INDEX	
33	VF47033	1	RETAINER	
34	39716A	1	REAR COVER OF HANDLE	
35	40263A	1	SWITCH DPST	
37	VF47007	1	SPRING LEVELING	
39	60408A	1	HOUSING GEAR INDEX	
50	VF14506	4	NUT LOCK SS M6	
52	80398A	2	SCREW M5X35 SS HEAD PHILLIPS	
53	VV13609	1	NUT M4	
54	VF54041	1	HANDLE PLUG	
56	GT13019	4	HEX SCREW M6x45	
57	80407A	6	SCREW M5X25 SS FLAT HEAD PHILLIPS	
K1	11271A	1	REAR AND FRONT COVER KIT	Pos 29-30-31-46
K2	56381560	1	POLISHER GEAR SET KIT	Pos 38-42-44-59
K3	11273A	1	HANDLE SUPPORT KIT	Pos 1-43-47-48-51-55
K4	11274A	1	HANDLE SWITCH LEVER KIT	Pos 27-28-32-36-40-41-45-49-58
K5	9098995000	1	HARDWARE HANDLE BAR KIT	Pos 4-5-6-7-8-9-10-12-15-16-17-59

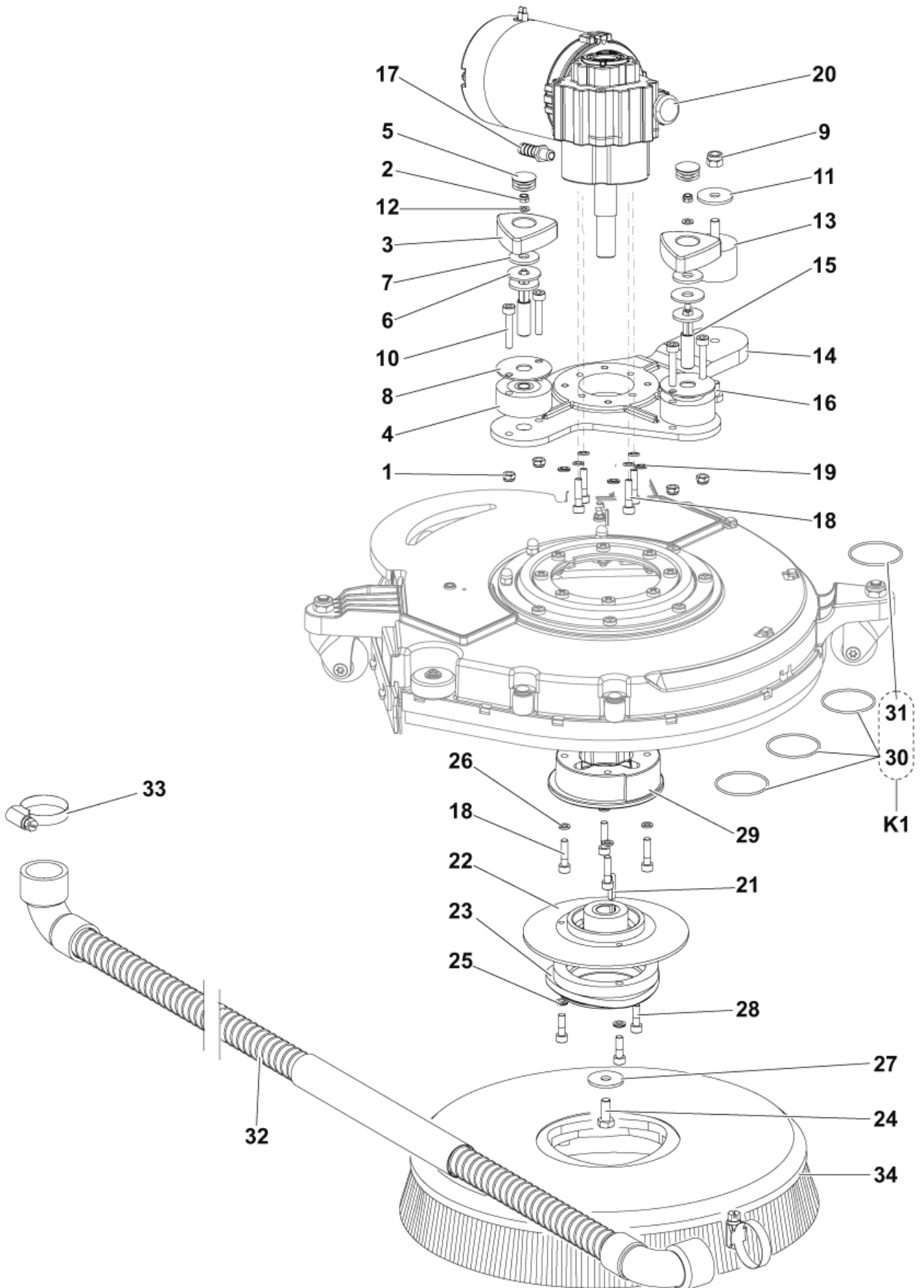
# BRUSH DECK 1

SC350

11-03-2013

Part List ID  
SC350110

13



# BRUSH DECK 1

## SC350

11-03-2013

Part List ID  
SC350110

14

Pos	Part no.	Qty	Description	
0	9099741000	1	SHIM COVER DECK KIT	INST.INSTR.9099742000
3	L08812203	2	KNOB	
4	L08812213	2	BUFFER	
5	L08812426	2	CAP FOR KNOB	
8	L08812779	2	PLATE.VIBRATION DAMPING	
13	9097184000	1	VIBRATION DAMPING M8 60SH	
14	9098083000	1	SUPPORT BRUSH DECK	
15	9098557000	2	PIN BRUSH PLATE FIXING	
17	L08601624	1	HOLDER RUBBER 1/4 D.10	
20	9097976000	1	REDUCTION GEARMOTOR 12V	BEFORE S/N
20	9099544000	1	REDUCTION GEARMOTOR 12V 260W KIT	STARTING FROM S/N
21	145 8024 000	1	KEY 5X5X25 UNI6604A	
22	L08812306	1	HUB BRUSH R.GEARMOTOR RIGHT	
23	L08812480	1	HUB.BRUSH	
29	9098394000	1	FLANGE BRUSH DECK	
32	9098589000	1	HOSE SQUEEGEE	
34	9098529000	1	BRUSH D.370 PROLENE PPL	
34	9099006000	1	BRUSH D.370 PROLITE PPL	OPTIONAL
34	9099007000	1	BRUSH D.370 UNION MIX	OPTIONAL
34	9099008000	1	BRUSH D.370 MID GRIT 240	OPTIONAL
34	9099009000	1	BRUSH D.370 MIDLITE GRIT	OPTIONAL
35	10001919	1	PAD 14 355MM ECO GREEN 5PCS	NOT SHOWN - OPTIONAL
35	10001920	1	PAD 14 355MM ECO RED 5PCS	NOT SHOWN - OPTIONAL
35	10001921	1	PAD 14 355MM ECO WHITE 5PCS	NOT SHOWN - OPTIONAL
35	9099010000	1	PAD HOLDER D.350MM	NOT SHOWN - OPTIONAL
35	L00190797	1	PAD 14 355MM BROWN 5PCS	NOT SHOWN - OPTIONAL
K1	9098991000	1	RINGS SPRING KIT	Pos 30-31
K2	9098996000	1	HARDWARE DECK KIT	NOT SHOWN - Pos 1-2-6-7-9-10-11-12-16-18-1924-25-2

POS.0 9099741000 starting from S/N 3510122601308 - see TSB IT 2012-090  
 POS.20 9097976000 before S/N

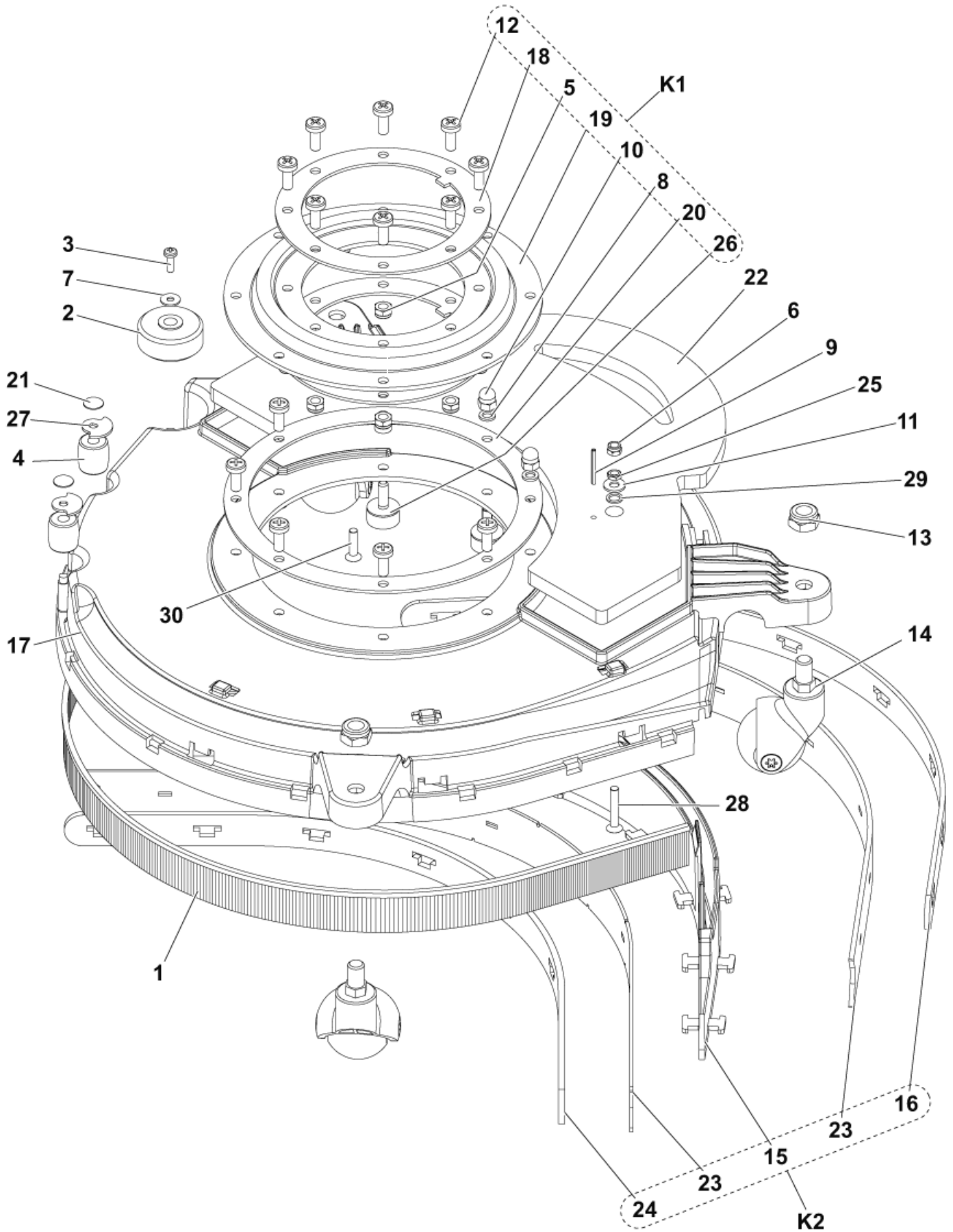
# BRUSH DECK 2

SC350

11-03-2013

Part List ID  
SC350130

15



# BRUSH DECK 2

SC350

11-03-2013

Part List ID  
SC350130

16

Pos	Part no.	Qty	Description	
1	9098475000	1	BRUSH LINEAR	
2	L08603027	1	ROLLER BUMPER	
4	L08603402	2	ROLLER	
14	9099163000	3	WHEEL CASTOR D.42	
16	9098399000	1	STRAP REAR SQUEEGEE 455MM/18	
17	9098400000	1	COVER BRUSH DECK	
19	9098402000	1	COUPLING RUBBER DECK	
21	9098473000	2	COVER PIN	
22	9098477000	1	COUNTERWEIGHT	
23	9099027000	1	BLADES SQUEEGEE KIT	
24	9098568000	1	STRAP FRONT SQUEEGEE 455MM/18	
26	9098620000	3	VIBRATION DAMPING M6 D.20X10	
27	9098633000	2	PLATE BUMPER FIX	
K1	9098997000	1	COUPLING DECK KIT	Pos 5-8-10-12-18-19-20-26
K2	9098998000	1	SQUEEGEE KIT	Pos 15-16-23-24
K3	9098999000	1	HARDWARE COVER DECK KIT	NOT SHOWN- Pos 3-6-7-9-11-13-28-29-30-31



# RECOMMENDED SPARE PARTS

SC350

11-03-2013

Part List ID  
SC350170

17

No Drawing For Part List

# RECOMMENDED SPARE PARTS

SC350

11-03-2013

Part List ID  
SC350170

18

Pos	Part no.	Qty	Description
	145 8513 000	1	FUSE BLADE 30A UL
	40263A	1	SWITCH DPST
	9098441000	1	RELAY 12V
	9098760000	2	CONNECTOR 50A GREY
	9099127000	1	GASKET TANK COVER KIT
	145 9852 000	1	FUSE BLADE 5A UL
	909 5706 000	1	BREAKER CIRCUIT 30A
	9097976000	1	REDUCTION GEARMOTOR 12V
	9098111000	1	MOTOR VACUUM 12V 200W
	9098112000	1	SOLENOID VALVE 12V
	9098188000	1	CHARGER BATTERY 12V 12A
	9098237000	2	WHEEL D.200MM
	9098319000	2	GASKET
	9098327000	1	GASKET VACUUM MOTOR
	9098375000	1	TIMER CYCLICAL
	9098405000	1	SWITCH ROTATIVE 4 POSITIONS
	9098424000	1	SWITCH ELECTROMAGNETIC 12V 70A
	9098589000	1	HOSE SQUEEGEE
	9098655000	1	FILTER VACUUM MOTOR
	9098697000	1	VALVE WATER COMPLETE
	9098992000	1	HOSE KIT
	9098997000	1	COUPLING DECK KIT
	9098998000	1	SQUEEGEE KIT
	9099027000	1	BLADES SQUEEGEE KIT
	9099042000	1	CABLE DECK
	9099163000	3	WHEEL CASTOR D.42
	L08812480	1	HUB.BRUSH