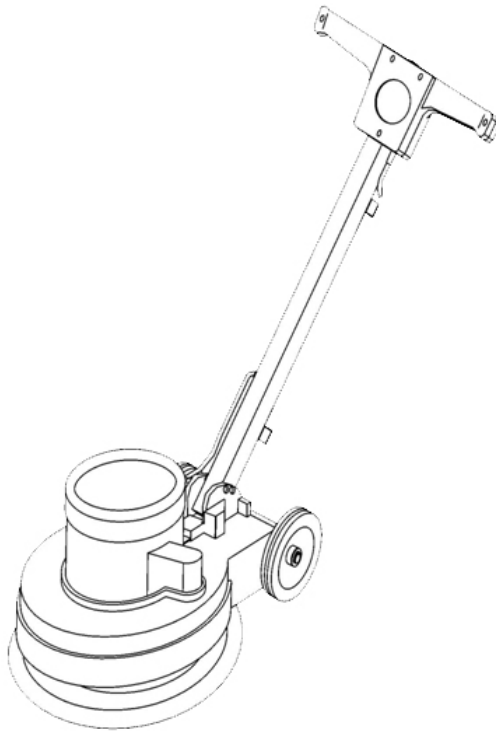




## Instruction Manual

# POLYSTAR ORBITAL FLOOR POLISHER & CLEANER



<b>Model</b>	PS-001
<b>Rated Voltage (V)</b>	220-240 V
<b>Rated Frequency (Hz)</b>	50 Hz
<b>Power (W)</b>	250-275 Watt

- Please read this Instruction Manual carefully before operation and follow all guidelines before using this vacuum cleaner.
- Please keep this Manual for future reference.

# **TABLE OF CONTENTS**

<b>SAFETY INFORMATION .....</b>	<b>3</b>
<b>ASSEMBLY INSTRUCTIONS .....</b>	<b>4</b>
<b>PREPARATION FOR USE .....</b>	<b>6</b>
1. Assembly (Consult Assembly Diagram Step 1-9).....	6
2. Installing Pad/Brush Holder (Consult Assembly Diagram Step 10) .....	6
3. Remove Pad/Brush Holder (Consult Assembly Diagram Step 12).....	6
4. Moving the machine (Consult Assembly Diagram Step 13-14) .....	6
<b>OPERATING INSTRUCTIONS .....</b>	<b>6</b>
<b>PURPOSE AND SPECIFICATIONS .....</b>	<b>6</b>
Specifications:.....	6
<b>OPERATING .....</b>	<b>7</b>
<b>MAINTENANCE .....</b>	<b>7</b>
<b>EXPLODED DIAGRAM.....</b>	<b>8</b>
<b>PARTS LIST.....</b>	<b>9</b>
Part Name.....	9
<b>CONDITIONS OF WARRANTY .....</b>	<b>10</b>

# **SAFETY INFORMATION**

## **READ ALL INSTRUCTIONS BEFORE USING THIS APPLIANCE**

**\*\*\* WARNING** - To reduce the risk of fire, electric shock, or injury, please observe this safety information!

1. The voltage must concur with that given on the machines data plate.
2. The appliance must be grounded: DO NOT USE if the socket is damaged, you must ensure the socket is in working order before using.
3. Use indoors only.
4. Don't use in areas with flammable and/or explosive substances. E.g. gas, oil, petrol.
5. Don't abandon appliance when plugged in; Unplug from outlet when not in use, when installing or removing the brush/pad and before servicing.
6. Check the cord regularly, don't use with damaged cord or plug; If appliance is not working as it should, has been dropped, damaged, left outdoors, or dropped into water, return it to a service center.
7. Don't pull or carry by cord, use cord as a handle, run appliance over cord or close a door on cord. Keep cord away from heated surfaces, oil, sharp edges and corners. Do everything you can to ensure maintenance of the cord, plug and electricals.
8. Don't unplug by pulling on cord. Turn off all controls before unplugging.
9. Keep hair, loose clothing, fingers, and all parts of body away from openings and moving parts.
10. Use only commercially available floor cleaners and waxes.
11. When not in use, store it carefully. Do NOT allow machine to be used by children.
12. To avoid electric shock, please store appliance in a dry place. Don't allow machine to get covered in water and when cleaning, only clean the appliance with wet wiper.
13. The appliance may only be serviced and maintained by a customer service shop with legal authorisation who are approved by the manufacturer.
14. This appliance is not intended for use by persons (including children) with reduced physical, sensory or mental capabilities, or lack of experience and knowledge, unless they have been given supervision or instruction concerning use of the appliance by a person responsible for their safety.
15. Children should be supervised to ensure that they do not play with the appliance.

# ASSEMBLY INSTRUCTIONS

## PS-001 Floor Polisher Assembly Drawing



Step 1-Open the box.



Step 2-Take out the carton.



Step 3-Press both sides of screw protector inwards and pull it out.



Step 4- Remove the Handle Assembly and the Screw.



Step 5-Align the mounting hole of the handle assembly with the mounting hole of chassis.



Step 6- Insert the screw and tighten the nut.



Step 7-Put screw protector back onto the chassis.



Step 8-Take out machine from the box.



Step 9- Affix/Attach the appropriate pad/brush and the machine is ready to use.

# PS-001 Floor Polisher Assembly Drawing



**Step 10-Install pad holder or brush.**  
Keep the pad/brush on the floor, take hold of the chassis and lift with both hands. Align brush/pad with brush/pad holder and push down. Level it to secure it.



**Step 11-The assembly is complete**



**Step 12-Remove pad holder or brush.**  
Lay the machine on its back with the handle lying on the floor. Using some force, pull the pad/brush away from the chassis. You may need to pop it out at several points before it comes off.



**Step 13 - Lock the handle into the upright position with the black foot pedal.**



**Step 14 - Hold the handle, push down so the two wheels drop to the ground, then you can push or pull the machine to move it.**

# **PREPARATION FOR USE**

## **1. Assembly (Consult Assembly Diagram Step 1-9)**

Push both sides of screw protector inwards and pull it out by applying pressure upwards. Take out the screw that is in the mounting hole. Align the mounting hole of handle assembly with the mounting hole of chassis, insert the screw and tighten the nut. Re-install screw protector onto chassis.

## **2. Installing Pad/Brush Holder (Consult Assembly Diagram Step 10)**

Keep the pad/brush holder flat on the floor, take hold of chassis and lift machine with both hands. Align brush holder pad with pad/brush holder, push chassis down onto pad/brush holder, level the pad/brush holder.

## **3. Remove Pad/Brush Holder (Consult Assembly Diagram Step 12)**

Lay the machine on its back with the handle assembly lying on the floor. Using some force, pull the pad/brush holder away from the chassis. You may need to pop it out at several points before it comes off. The difficulty of removal is required to ensure it stays on during operation.

## **4. Moving the machine (Consult Assembly Diagram Step 13-14)**

Lock the handle assembly into the upright position. Hold the handle, push down so the two wheels drop to the ground, then you can push or pull the machine to move it.

# **OPERATING INSTRUCTIONS**

1. Prior to operation you must assemble the pad/brush holder.
2. Make sure that the switch is in the OFF (0) position before you plug the electric cord into the outlet, to ensure electrical safety.
3. Always wear closed-toe shoes when using the appliance.
4. When not in use, remove pad/brush holder to avoid disfiguration.

# **PURPOSE AND SPECIFICATIONS**

The Polystar Orbital Floor Polisher and Cleaner (PS-001) is designed for both domestic residential and commercial use.

## **Specifications:**

**MOTOR:** induction type motor (no carbon brushes to wear out)

220-240V AC, 50HZ, 1400RPM

**SWITCH:** Rocker type, 16 amps, 250V~T125

**CABLE:** 6 metres, 3G0.75mm<sup>2</sup>

**NET WEIGHT:** 32.56 lbs

**SPEED:** 150RPM with additional motion due to brush holder pad design

**BRUSH DIAMETER:** 13 inches - extra coverage due to brush holder pad design

**HEIGHT WITH BRUSH:** 41.30 inches

# OPERATING

The (ON-OFF) switch is located on the handle. ON (I) and OFF (0) are printed on the switch.

**Ensure that the switch is in the OFF (0) position before you plug the electric cord into the outlet.**

**Before turning machine on, ensure there is a pad/brush holder installed on the machine. When operating, grasp the handle and glide the machine across the floor in a back and forth motion.**

# MAINTENANCE

1. Be careful when using the machine. Dropping, unreasonable bumping or rough handling may result in damage to the balance and counterweight system.
1. Wrap your cord loosely around the two hooks on the handle.
2. Keep the machine clean, remove brushes after use, and clean it with a wet wiper.
3. Always use Cleanstar/Polystar brand of spare parts.
4. Periodic lubrication using light oil is recommended at the motor bearings.
5. Common Troubleshooting Below. (Remember to unplug the machine prior to action).

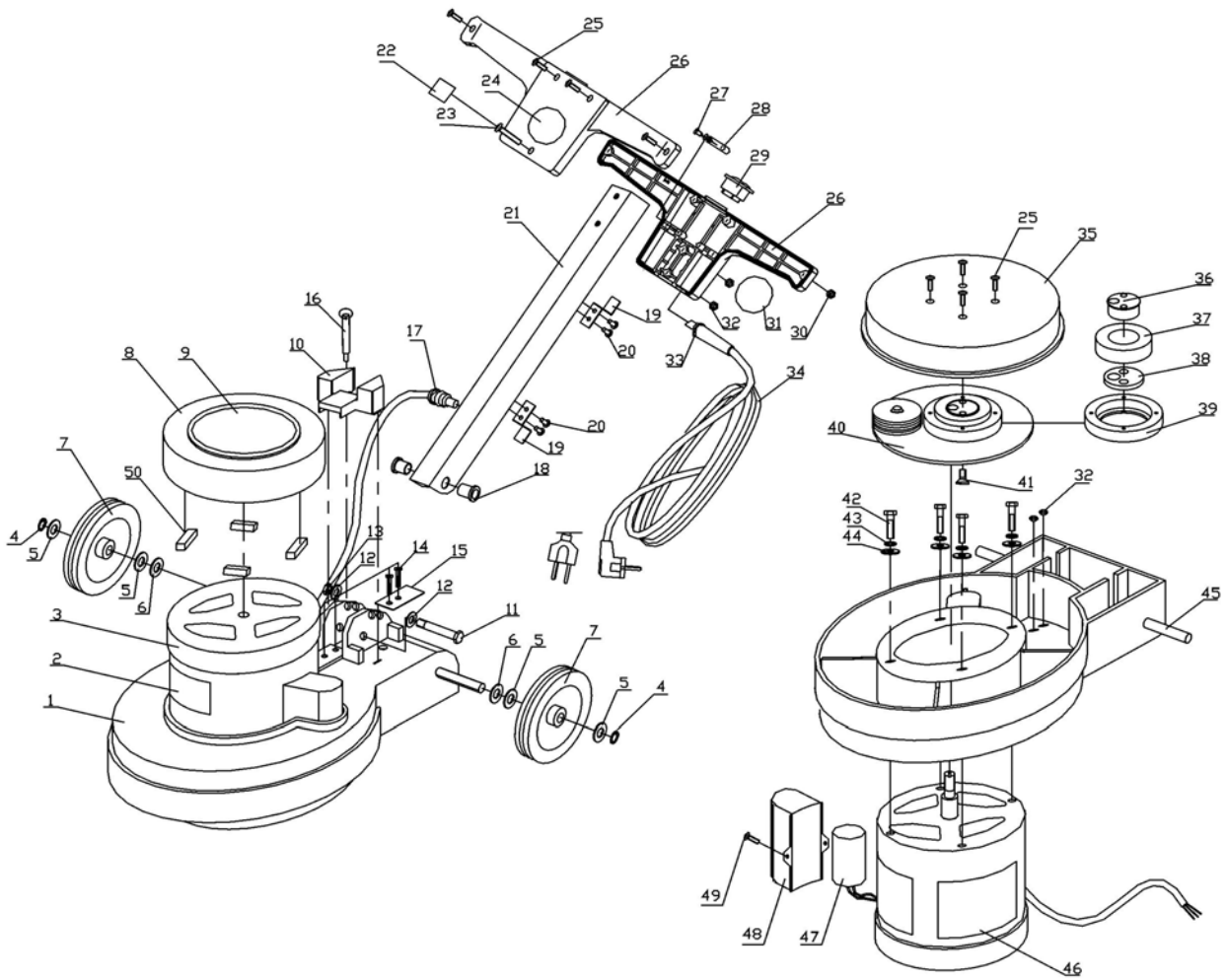
*For most of the below options, Cleanstar insists getting professional help to ensure your safety.*

Trouble Diagnosis		
Problem	Possible Cause	Action
<b>Machine will not run</b>	1. Not firmly plugged into wall socket 2. No voltage in plug 3. Malfunction of start capacitor 4. Power Cord Damaged	1. Plug unit firmly & Ensure Wall Switch is on 2. Check fuse or breaker 3. Replace Capacitor 4. Replace the power cord
<b>Machine Bounces</b>	1. You may be using the brush on a dry surface without shampoo 2. Brush or pad holder is not properly in place (Hasn't been leveled)	1. Apply necessary shampoo; dry or wet 2. Ensure it is fixed properly in place (level pad/brush holder)
<b>When hearing irregular noises</b>	1. The screw of chassis is loose	1. Ensure the screw is tight.

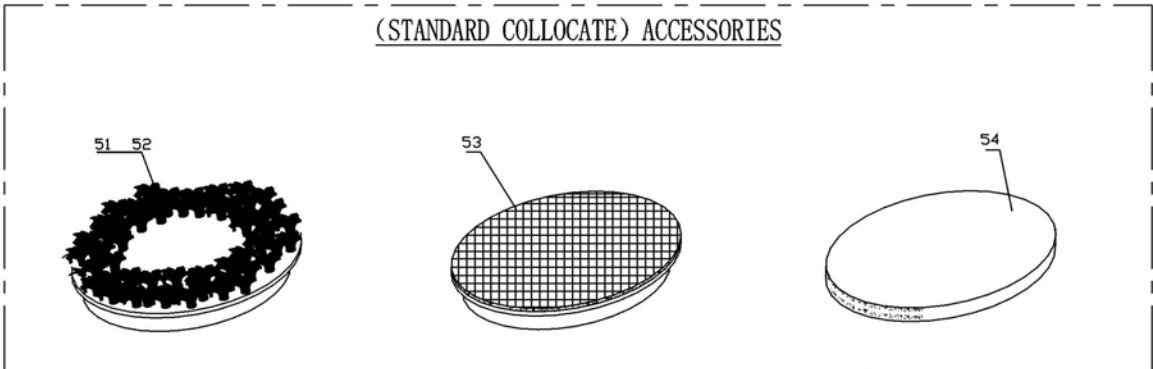
6. Standard accessories - Please refer to the manual for the proper floor treatment and use of accessories.

- |   |                    |
|---|--------------------|
| 1) Carpet brush (Black bristle)<br>Use with Dry detergent, this brush can clean carpet.                 | Part No. PS-001-01 |
| 2) Floor brush (green-white)<br>This brush is used to clean ceramic and concrete and many tough stains. | Part No. PS-001-02 |
| 3) Pad holder<br>This holder is used to hold all types of floor pads.                                   | Part No. PS-001-03 |
| 4) White pad<br>This pad is used for polishing.   | Part No. PS-04     |
| 5) Microfibre pad<br>This pad is used for cleaning.   | Part No. PS-08     |

# EXPLODED DIAGRAM



## (STANDARD COLLOCATE) ACCESSORIES





# PARTS LIST

REF. NO.	Part Name	REF. NO.	Part Name
1	Chassis	32	Nut M5
2	Label	33	Cord Protection
3	Motor 220-240Volt 50Hz	34	Cord 3×0.75mm <sup>2</sup>
3A	Motor 120Volt 60Hz	34A	Cord 3×0.75mm <sup>2</sup>
3B	Motor 110Volt 50Hz	34B	Cord 18AWG×3C
4	Circlip φ10	35	Brush holder pad
5	A Washer φ10	36	Bearing handle
6	A Washer φ10	37	Bearing 6006-2RS
7	Wheel	38	A Washer
8	Motor shield	39	Bearing box
9	Trade mark	40	Plate with counter weights
10	Screw protector	41	Screw M6×20
11	Screw M8×55	42	Screw M6×18
12	A Washer φ8	43	A Washer φ6
13	Nut M8	44	A Washer φ6
14	Screw M5×20	45	Axle
15	Hole Blanking plug	46	Data plate
16	Pin (not used with this model)	46A	Data plate
17	Cord clip	46B	Data plate
18	P-Clip	47	Start capacity 75μF250VAC
19	Cord hooks	47A	Start capacity 150μF125VAC
20	Pop-rivet –handleφ4	48	Capacity box
21	Handle tube	49	Screw M4×6
22	Grounding warning label	50	Pad
23	Screw M5×40		
24	Trade mark	51	Carpet brush (black)
25	Screw M4×12	52	Floor brush (green/white)
26	Front handle half	53	Pad holder
27	Screw ST3.5×16	54	13" white pad
28	Cord clip	55	13" Red pad
29	Power Switch	56	13" Black pad
30	Nut M4	57	13" Brown pad
31	Warning label		



**Cleanstar Pty Ltd**

**ABN: 51 121 002 104 ACN: 121 002 104**

**59 Radford Road, Reservoir VICTORIA 3073**

**Phone: (03) 9460 5655 Fax: (03) 9460 5666**

**Email: [sales@cleanstar.com.au](mailto:sales@cleanstar.com.au) Web: [www.cleanstar.com.au](http://www.cleanstar.com.au)**

## **CONDITIONS OF WARRANTY**

**This document outlines the terms and conditions of warranty for your Cleanstar product. This is an important document that should be kept with your proof of purchase documents in a safe place for future reference should you require service for your product.**

Thank you for purchasing your new Cleanstar product. We are confident this product will give you trouble-free use and excellent service, provided the operator uses and maintains the product in accordance with the Instruction Manual. Please read the Instruction Manual carefully before using the product for correct operation and maintenance procedures, and store it in a safe place for future reference.

1. This is a parts and labour warranty against faulty or defective parts, materials or workmanship in manufacturing, when the product is used and operated in accordance with the Instruction Manual.
2. This product carries a 12 month (1 year) warranty period that commences from the original date of purchase by the first user/purchaser, and is not transferable.
3. This warranty only applies to products purchased and used in Australia.
4. At all times during the warranty period, Cleanstar shall, at its sole discretion, determine whether repair, replacement or refund will apply if the product has a valid warranty claim applicable to it.
5. The repair or replacement of the product under this warranty does not extend the original period of warranty.
6. Please note that this warranty will be voided in the following cases (which are not exhaustive) and the warranty does not apply to the cost of replacing any parts of the product resulting from:
  - Accidental damage;
  - Normal wear and tear;
  - Neglect, misuse or physical abuse by the operator, including failure to properly maintain or service;
  - Any alterations, modifications or tampering with the product without the prior written consent of Cleanstar;
  - Incomplete or improper installation;
  - Incorrect, improper or inappropriate operation;
  - Insect or vermin infestation;
  - Power surges, electrical storm damage or incorrect power supply/voltage;
  - Excessive use or use for which this product has not been designed;
  - Vacuuming up water, liquids, toner, powders, glass, hazardous, flammable or corrosive materials, plaster dust, concrete dust and other similar building or construction materials;
  - Failure to comply with the operating instructions contained in the Manual supplied with the product;

- If the product is rented;
  - If the product is used outside of Australia;
  - If the product was serviced or repaired by anyone other than Cleanstar, or one of Cleanstar's Authorised Service Agents (ASA). Cleanstar is unable to accept any responsibility under this warranty for any repair work not carried out by an ASA or from the use of non-genuine parts.
7. This warranty does not cover service calls, travelling time or consumable parts such as belts, dust bags, filters, hose or hose parts, rods and wands, floor tools and accessories, motor brushes and other like consumable items, unless defective in manufacture. In order to prolong the life of accessories and consumables, regular care and maintenance is recommended.
  8. Please retain your original proof of purchase which will be required before you can make a claim under this warranty. If proof of purchase can not be provided at the time of a warranty claim or service, any work carried out on the cleaner is chargeable.
  9. Any transportation and delivery costs involved in the repair of defective parts shall be borne by the claimant. In all instances, unless the product is transported by Cleanstar or a Cleanstar authorised representative, the product is transported at the owner's cost and risk while in transit to and from Cleanstar or its ASA.

Our goods come with guarantees that cannot be excluded under the Australian Consumer Law. You are entitled to a replacement or refund for a major failure and for compensation for any other reasonably foreseeable loss or damage. You are also entitled to have the goods repaired or replaced if the goods fail to be of acceptable quality and the failure does not amount to a major failure. The benefits conferred by this warranty are in addition to other rights and remedies under law in respect of the product to which this warranty relates.

**TO INQUIRE ABOUT MAKING A CLAIM UNDER THIS WARRANTY, PLEASE FOLLOW THESE STEPS:**

- a) carefully check the Instruction Manual and the terms of this warranty;
- b) have the name and model number of the appliance available;
- c) have the proof of purchase available (ie. invoice, receipt, etc) showing where the appliance was purchased from and date of purchase;
- d) call Cleanstar on **(03) 9460 5655** to speak to one of our customer service staff.