

UZ 930 S/S2

Model:
UZ 930 S
UZ 930 S2



Part List US-English

08-02-2015

Table of Contents

UZ 930 S/S2

UZ 930S/S2 lower parts	3
Fan unit and cord	5
Filters and upper parts	7
Wheel and lower parts	9
Nozzles 32 mm	11
Hose and tubes	13

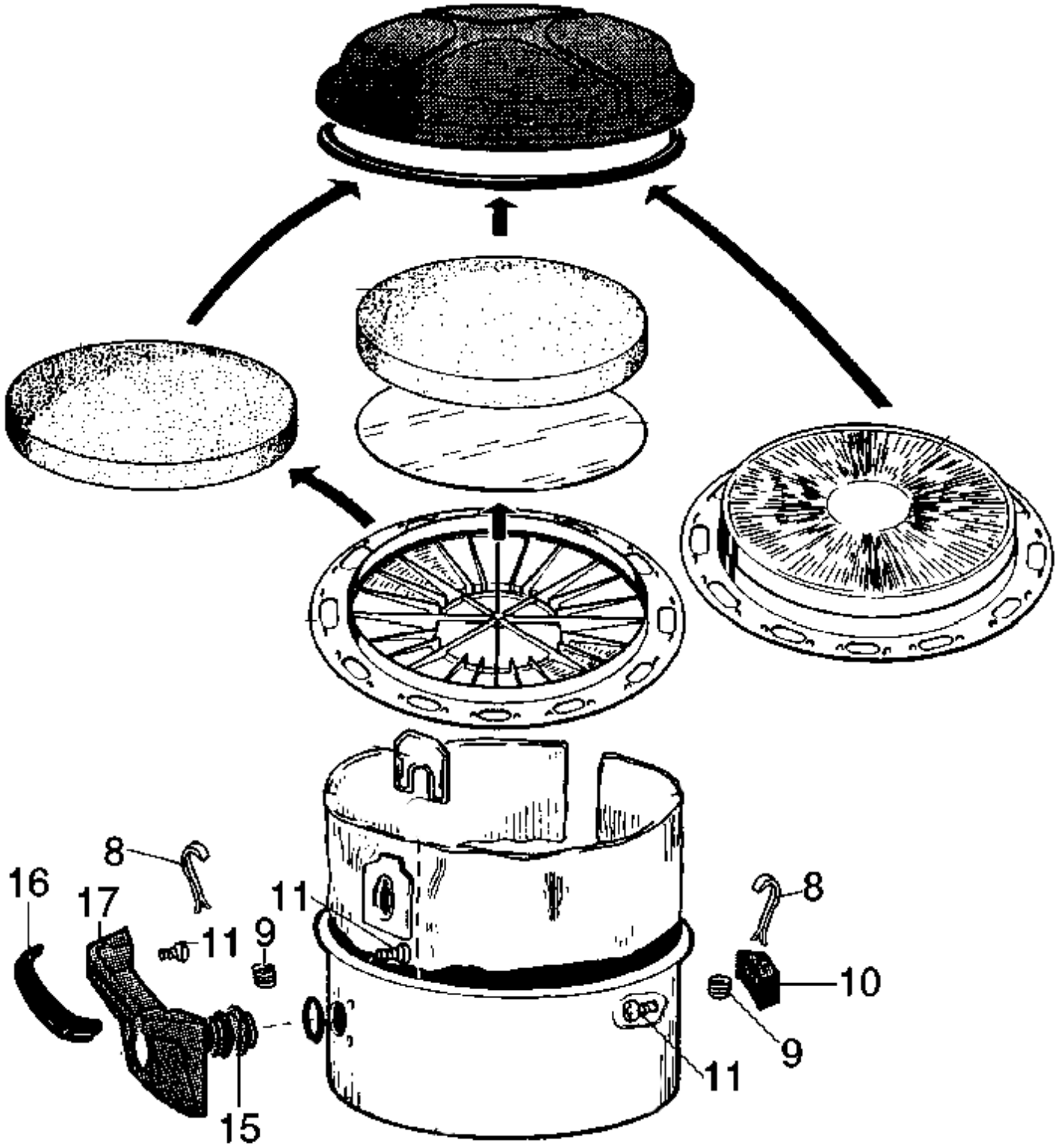
UZ 930S/S2 lower parts

UZ 930 S/S2

08-02-2015

Part List ID B0316

3



UZ 930S/S2 lower parts

UZ 930 S/S2

08-02-2015

Part List ID

BU316

4

Pos	Part no.	Qty	Description
8	140 1507 000	1	SPRING
9	140 1519 000	2	SPRING
10	140 7009 000	1	SUPPORT BLACK
10	140 7009 020	1	SUPPORT UL-LISTED
11	140 9214 070	8	SCREW PTK 50X14
15	140 7013 000	1	INLET
16	140 5060 000	1	HANDLE PROTECTION
17	140 2915 020	1	HANDLE

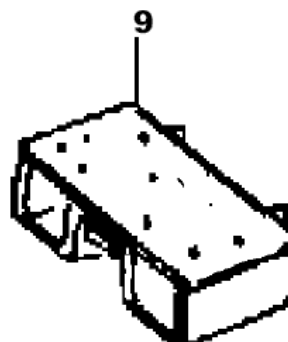
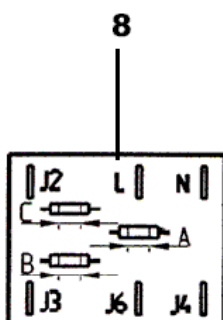
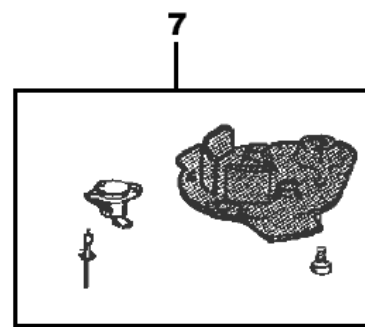
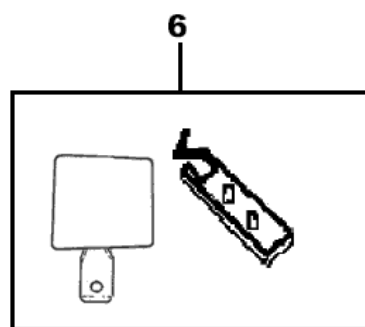
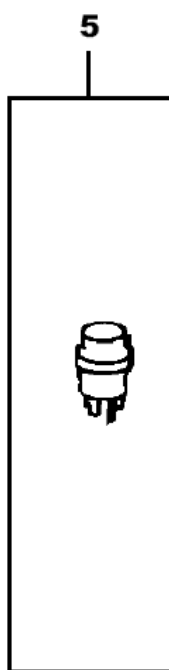
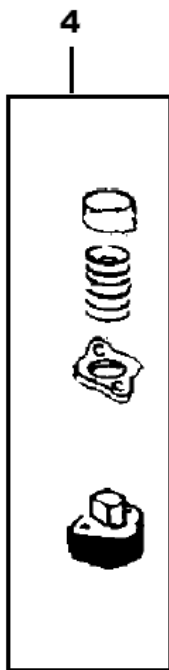
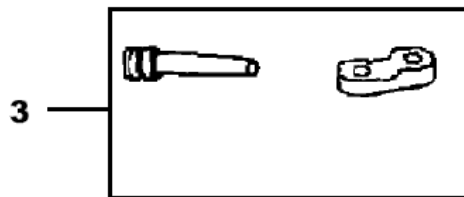
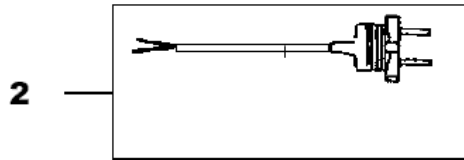
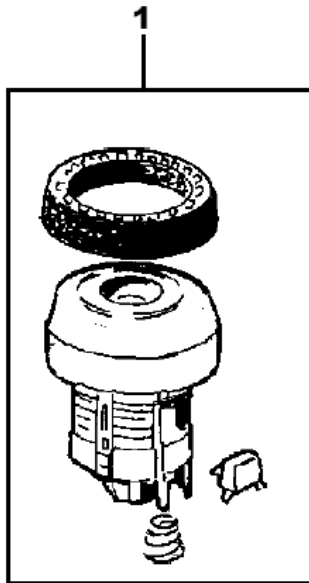
Fan unit and cord

UZ 930 S/S2

08-02-2015

Part List ID B0333

5



Fan unit and cord

UZ 930 S/S2

08-02-2015

Part List ID
BU333

6

Pos	Part no.	Qty	Description
1	140 7902 500	1	FAN UNIT KIT DOMEL 230V
1	140 7902 510	1	FAN UNIT KIT DOMEL 110-120V
1	140 7902 520	1	FAN UNIT KIT DOMEL 240V
1	140 7902 530	1	FAN UNIT KIT DOMEL 100V
2	107401390	1	CORD SET CN 15.5M - KIT CN only
2	140 3859 020	1	CORD SET 120V US/CA
2	140 6423 500	1	CORD EU L 15M
2	140 6423 510	1	CORD EU L 10M
2	140 6423 520	1	CORD KIT CH L 15M Machine outphased 2010
2	140 6423 530	1	CORD UK L 15M
2	140 6423 540	1	CORD UK L 10M
2	140 6423 550	1	CORD US PLUG L 15M
2	140 6423 560	1	CORD US L 10M GROUNDED
2	140 6423 570	1	CORD JP L 15M
2	140 6423 580	1	CORD AU L 15.5M
2	147 1042 000	1	CORD SET CHINA 15.5M machine outphased 2005
3	140 7035 500	1	PROTECTION SLEEVE KIT
3	140 7035 510	1	PROTECTION SLEEVE US KIT
4	140 7033 500	1	SWITCH ON/OFF 930-SERIES
5	140 7023 500	1	SWITCH SPEED FOR 930S2
6	010 9678 500	1	OUTLET ELECTRICAL 230V
6	140 7665 500	1	OUTLET ELECT.15A 250V
7	140 7012 500	1	MOTOR PLATE GD/UZ930/S2
7	140 7012 510	1	MOTOR PLATE GD 930/S2
8	140 7024 500	1	BOARD ANTI STATIC
9	140 7026 500	1	2S CIRCUIT BOARD 220-240V KIT
9		1	2S CIRCUIT BOARD 220-240V KIT
9	140 7026 510	1	2S CIRCUIT BOARD 110-120V KIT

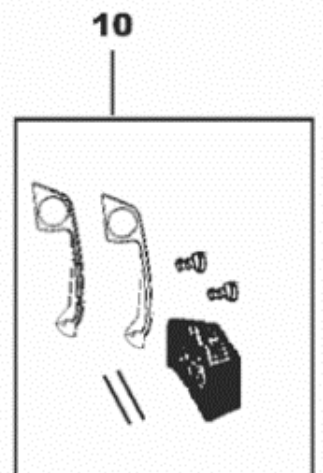
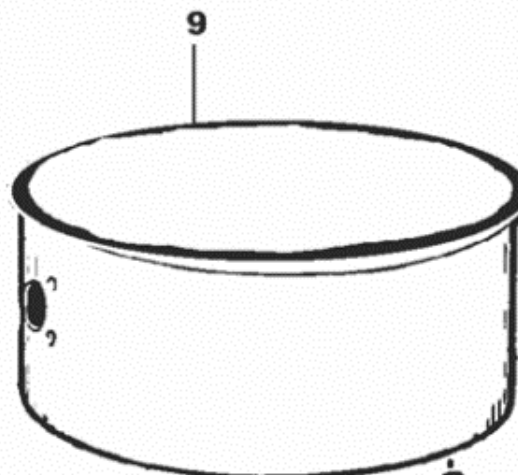
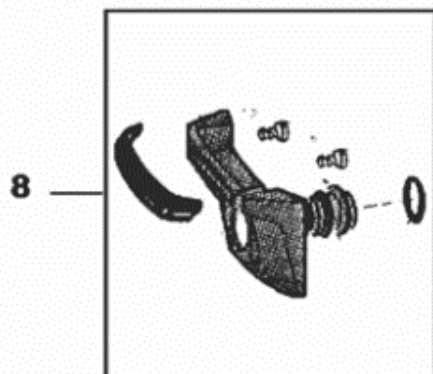
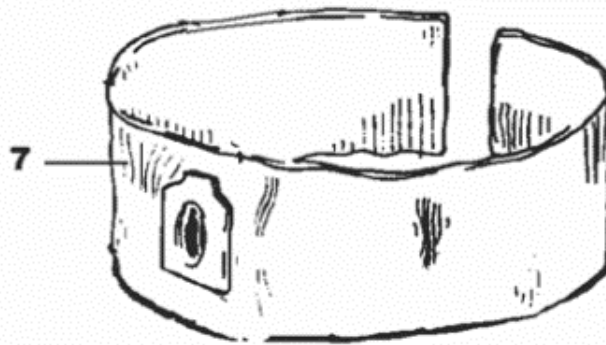
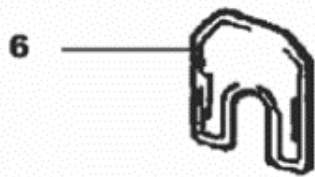
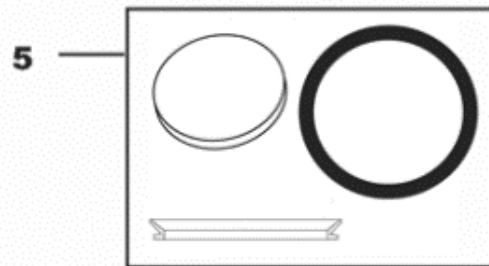
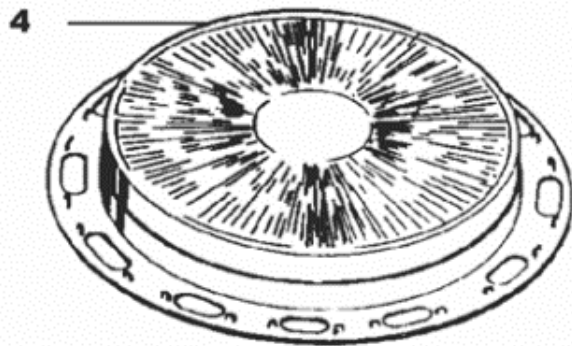
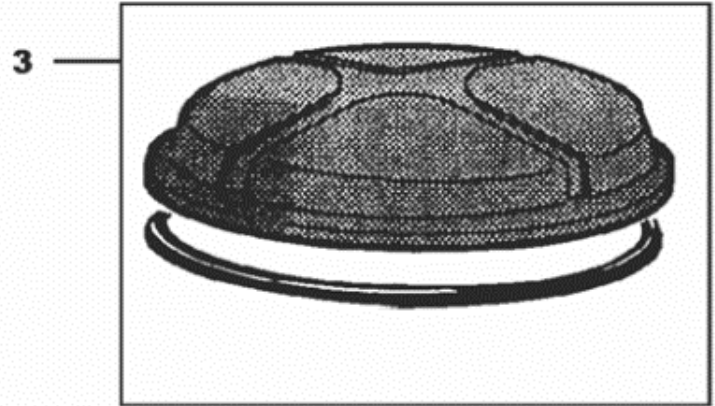
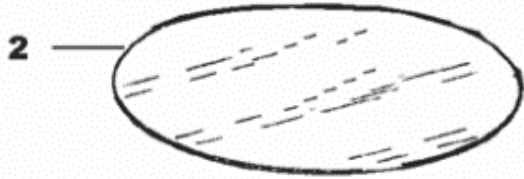
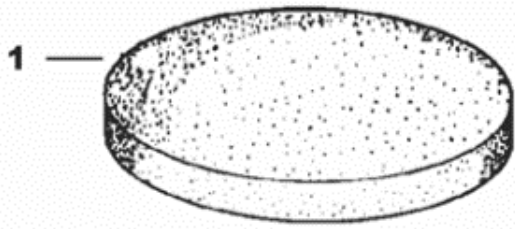
Filters and upper parts

UZ 930 S/S2

08-02-2015

Part List ID B0335

7



Filters and upper parts

UZ 930 S/S2

08-02-2015

Part List ID BU335

8

Pos	Part no.	Qty	Description
0	140 6076 000	1	SIGN Emptying - if this vacuum cleaner is...
0	140 6754 000	1	LABEL Warning HEPA filter must be installed...
1	140 1515 500	1	FILTER MAIN FOAM
2	140 3260 500	1	FILTER PAPER 5-P
2	140 5661 000	1	HYGIENE FILTER
3	140 7801 500	1	LID W/FILTER 930-SERIES
3	140 7801 510	1	LID WITH HEPA FILTER
4	140 2666 010	1	HEPA FILTER
5	140 1535 500	1	MOTOR PROTECTION
6	140 7014 500	1	LOCKING DUSTBAG 3 PCS
7	140 7015 040	1	DUST BAG 10-PCS
7	140 7019 500	1	CLOTH DUST BAG 1-P
7	140 7313 020	1	DUST BAG HIGH FILTRATION 10-PCS
8	140 7800 500	1	HANDLE GD 930/S2
9	140 7020 510	1	CONTAINER CHROMED
10	140 7832 500	1	LATCHES GD 930/S2
NI	140 7784 000	1	BOX FOR GD 930

NOTE: Container 140 7020 520 is replaced by container 140 7020 510.

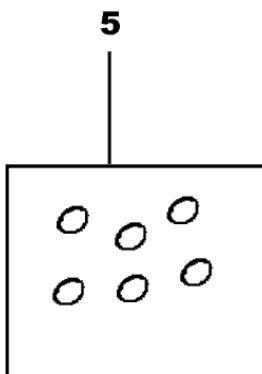
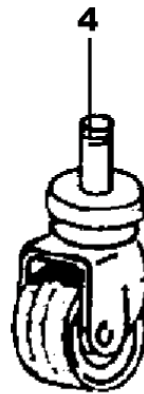
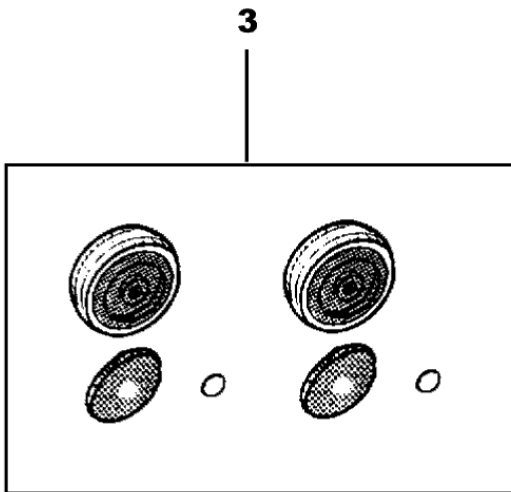
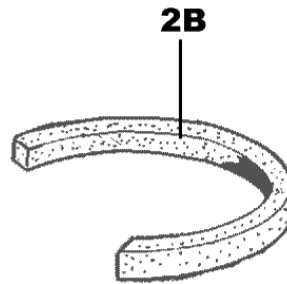
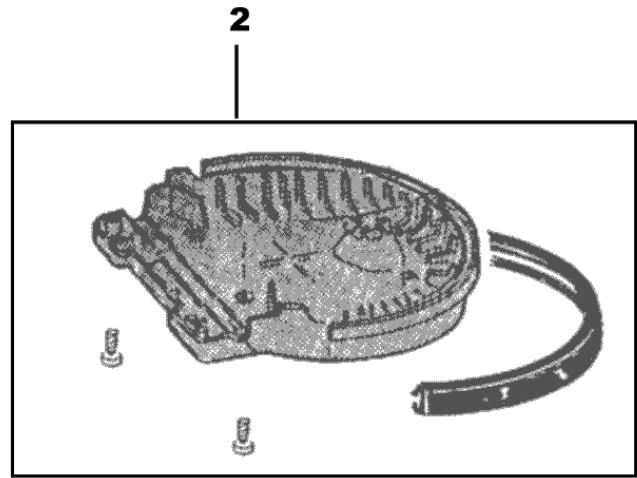
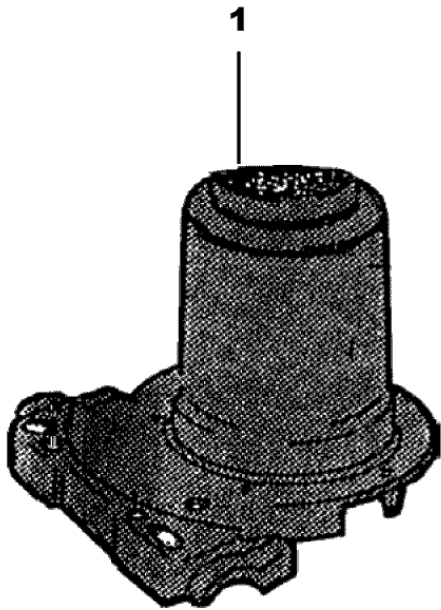
Wheel and lower parts

UZ 930 S/S2

08-02-2015

Part List ID B0337

9



Wheel and lower parts

UZ 930 S/S2

08-02-2015

Part List ID

B0337

10

Pos	Part no.	Qty	Description
1	140 7010 080	1	STAND UL-LISTED 120V US/CA
1	140 7010 500	1	STAND W CABLE PROTECT SOCKET E-NOZZLE
1	140 7010 510	1	STAND S2 W SOCKET E-NOZZLE
1	140 7010 530	1	STAND BASIC
1	140 7010 540	1	STAND S2 W SQUARE HOLE E-NOZZLE
2	140 7011 500	1	BASE BUMPER GD/UZ930S/S2 not UL
2	140 7011 510	1	BASE BUMPER GD930/UZ930/S2 UL
3	140 5055 500	2	WHEEL REAR 2-P 930-SERIES
4	140 7025 500	1	WHEEL FRONT 1-P
5	140 5058 500	6	LOCK WASHER GD 930

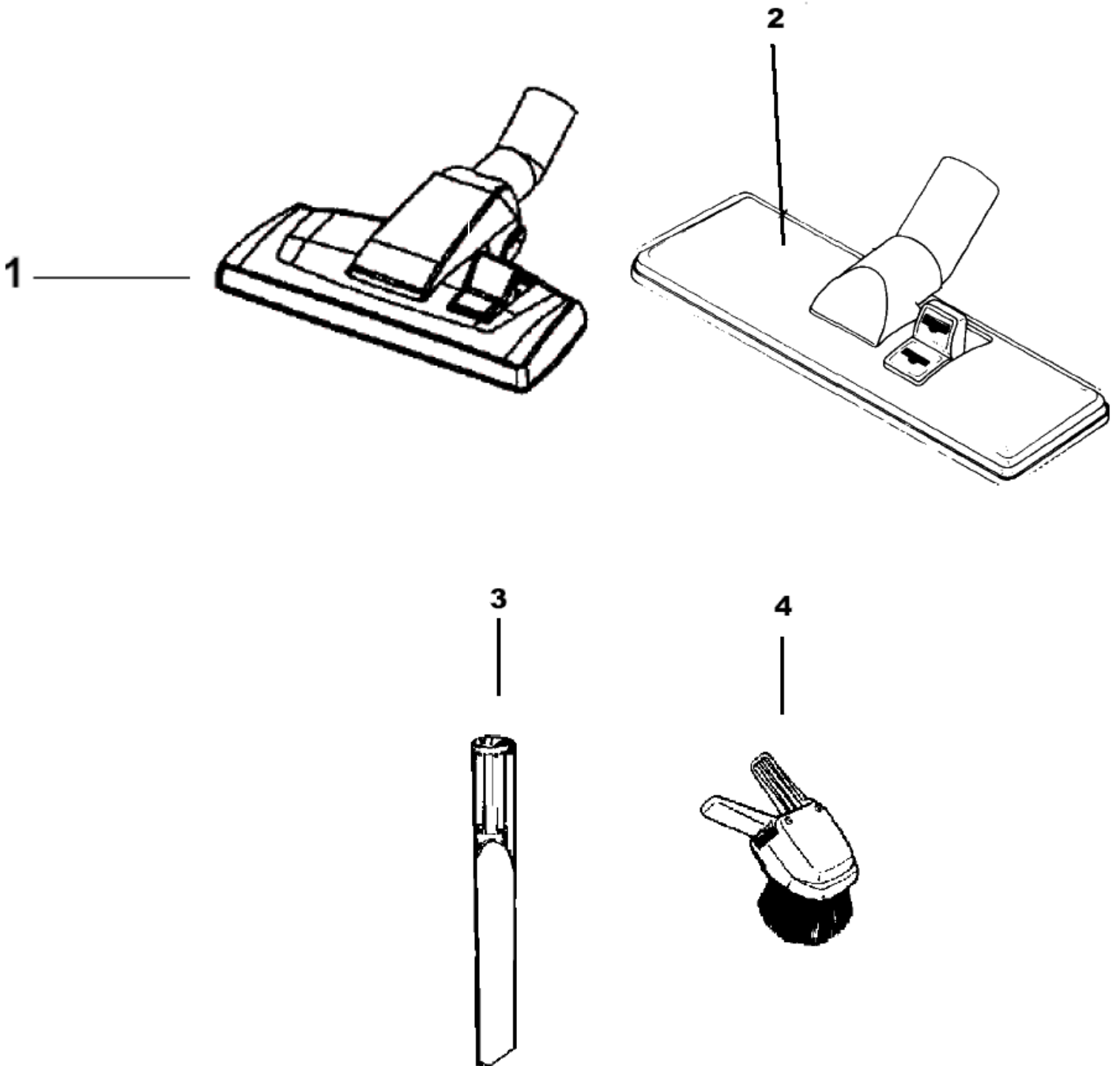
Nozzles 32 mm

UZ 930 S/S2

08-02-2015

Part List ID B0339

11



Nozzles 32 mm

UZ 930 S/S2

08-02-2015

Part List ID
BU339

12

Pos	Part no.	Qty	Description
1	140 8492 520	1	COMBI NOZZLE RD295 D32
2	140 5634 500	1	COMBI NOZZLE D32
3	010 3098 500	1	CREVICE NOZZLE
4	011 3104 500	1	SMALL COMBI NOZZLE

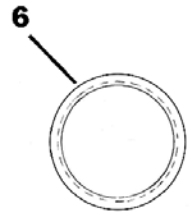
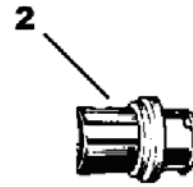
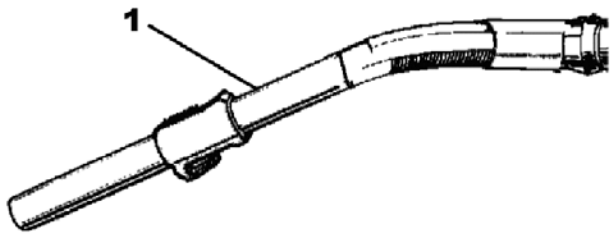
Hose and tubes

UZ 930 S/S2

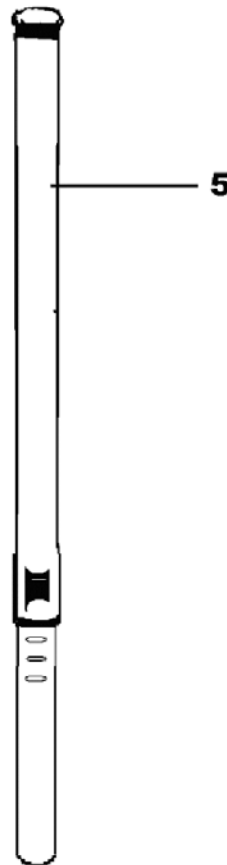
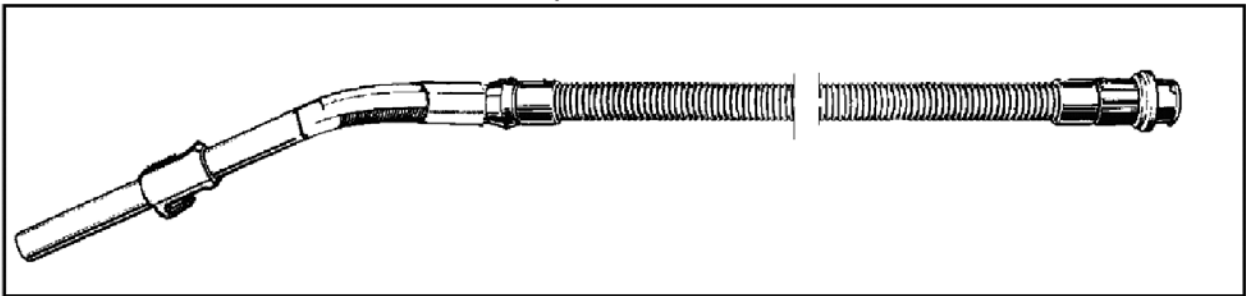
08-02-2015

Part List ID
B03311

13



3



Hose and tubes

UZ 930 S/S2

08-02-2015

Part List ID
BU3311

14

Pos	Part no.	Qty	Description
1	140 5116 500	1	HOSE HANDLE ALU/RUBBER DIAM.32
2	140 3846 500	1	CUFF W.BAYONET COUPL.D32
3	140 2782 500	1	HOSE ALU.HANDLE D32
4	011 6431 500	1	EXTENSION TUBE ALUMINIUM
5	011 8130 500	1	TELESCOPIC TUBE ALUMINIUM
6	010 9299 540	1	GASKET CPL