**DESCRIPTION****PLAN**

Motors, on/off switches, wires and PCBs

A - 1.6.1 - 2

Cord sets

A - 1.6.1 - 4

Body and body parts

A - 1.6.1 - 6

Dust bags and filters

A - 1.6.1 - 8

Hose and tube

A - 1.6.1 - 10

Nozzles

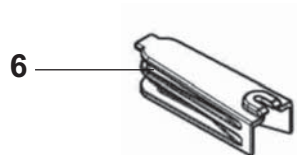
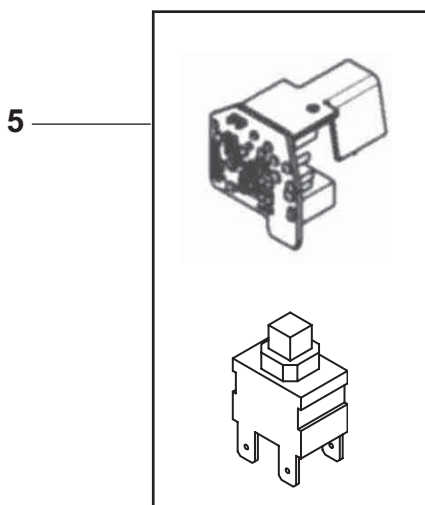
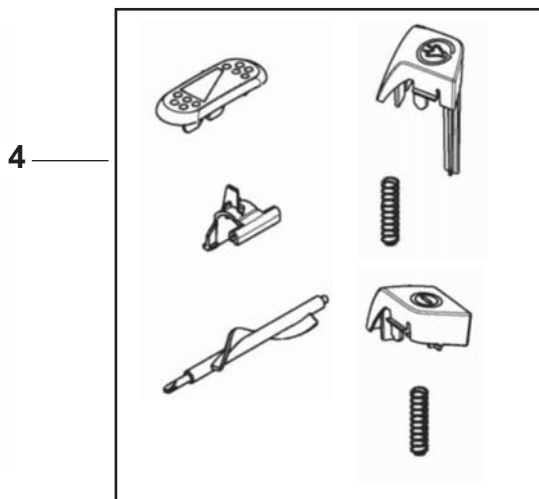
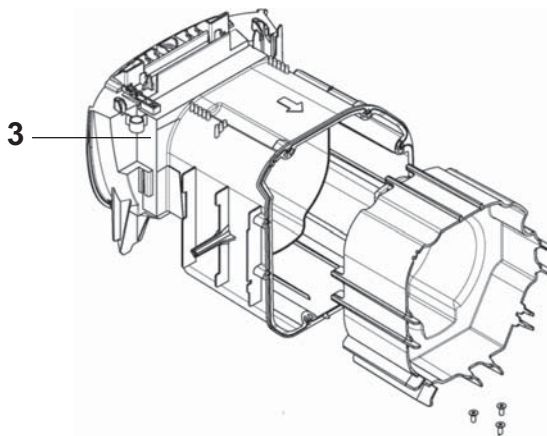
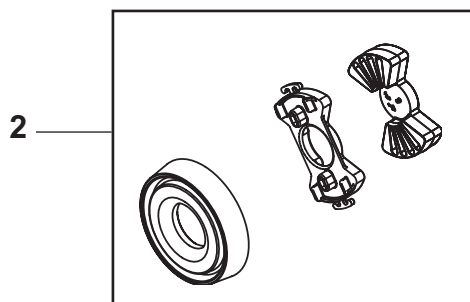
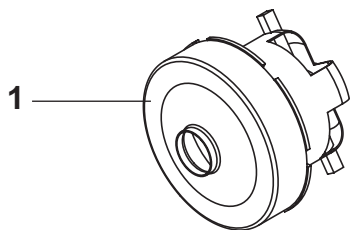
A - 1.6.1 - 12

2

1.6.1

A

MOTORS, ON/OFF SWITCHES, AND PCB



| | | | | |
|-------|---|---------------|--------------|----------|
| 05-12 | NILFISK POWER - SPARE PARTS LIST | BOOK A | | |
| | MOTORS, ON/OFF SWITCHES, AND PCB | A | 1.6.1 | 3 |

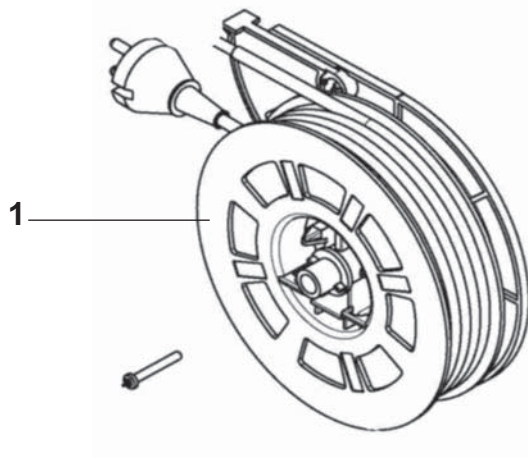
| Item | Part No. | Qty. | Description | Note | EAN code |
|------|--------------|------|---------------------------|--|---------------|
| 1 | 147 0427 500 | 1 | Motor, medium and premium | 220-240 V, 1600 W | 7319519656343 |
| 2 | 147 0560 500 | 1 | Motor suspension | | 7319519647846 |
| 3 | 147 0467 500 | 1 | Motor module | | 7319519656459 |
| 4 | 147 0403 500 | 1 | Button kit | On/off button, power regu- lation, cord rewind button | 7319519656374 |
| 5 | 147 0414 500 | 1 | PCB and on/off switch kit | Internal wires included. | 7319519656466 |
| 6 | 147 0208 500 | 1 | Parking plate | | 7319519647822 |

4

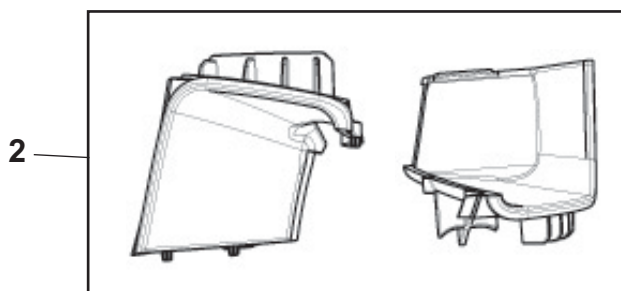
1.6.1

A

CORD SETS



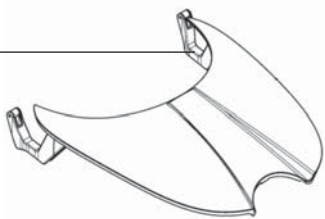
| Cord with plug/socket for bracket | | | |
|-----------------------------------|---------|-----------|--|
| | Voltage | Plug type | |
| EU | 220-240 | | |
| UK | 220-240 | | |
| AUS/NZ | 220-240 | | |



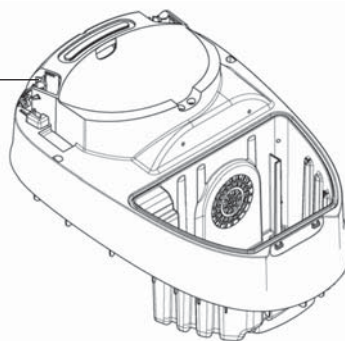
| | | | | |
|-------|----------------------------------|---------------|-------|---|
| 05-12 | NILFISK POWER - SPARE PARTS LIST | BOOK A | | |
| | CORD SETS | A | 1.6.1 | 5 |

| Item | Part No. | Qty. | Description | Note | EAN code |
|------|--------------|------|---------------------|-------------------------|---------------|
| 1 | 147 0435 500 | 1 | Cable re-winder 8 m | EU | 7319519656428 |
| 1 | 147 0435 510 | 1 | Cable re-winder 8 m | UK | 7319519656435 |
| 1 | 147 0435 520 | 1 | Cable re-winder 8 m | AUS/NZ | 7319519656442 |
| 2 | 147 0437 500 | 1 | Cable outlet | Upper and lower outlet. | 7319519656411 |

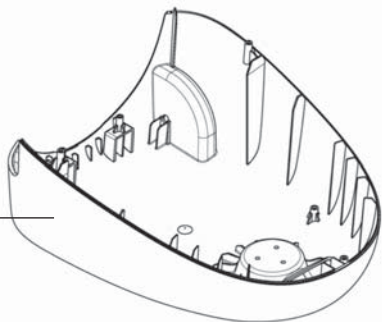
1



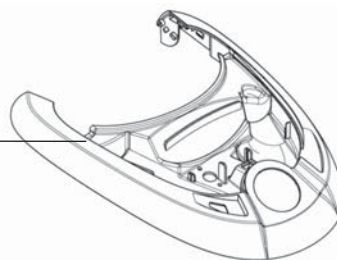
2



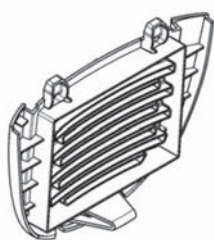
3



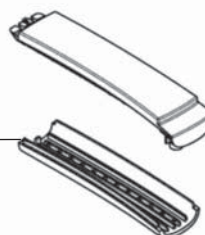
4



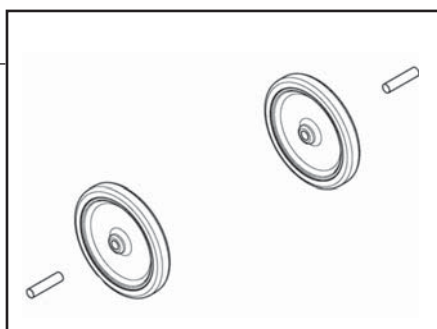
5



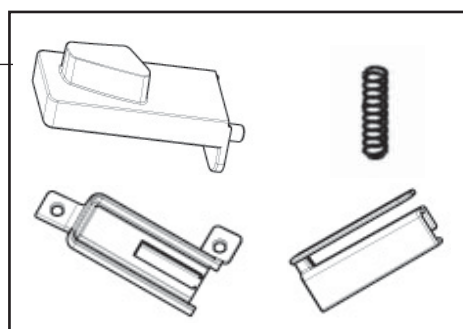
6



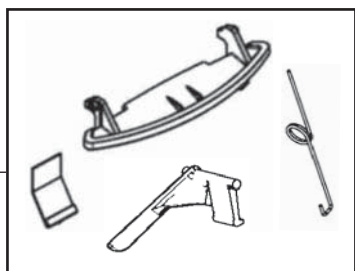
7



8



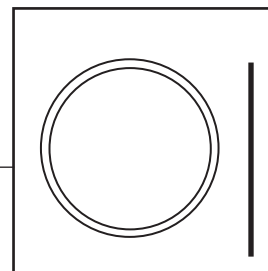
9



10



11



| | | | | | |
|-------|----------------------------------|--|--------|-------|---|
| 05-12 | NILFISK POWER - SPARE PARTS LIST | | BOOK A | | |
| | BODY AND BODY PARTS | | A | 1.6.1 | 7 |

| Item | Part No. | Qty. | Description | Note | EAN code |
|------|--------------|------|---------------------------------------|------------------------------------|---------------|
| 1 | 147 0402 500 | 1 | Lid accessorie | | 7319519656404 |
| 2 | 147 0412 500 | 1 | Main body outer P 10, red | | 7319519656282 |
| 2 | 147 0412 540 | 1 | Main body outer P 20, silver metallic | | 7319519656589 |
| 2 | 147 0412 560 | 1 | Main body outer P 40, blue metallic | | 7319519656305 |
| 3 | 147 0436 500 | 1 | Body base, black | | 7319519656312 |
| 4 | 147 0485 500 | 1 | Dust lid P 10, red | | 7319519656244 |
| 4 | 147 0485 520 | 1 | Dust lid P 20, silver metallic | | 7319519656251 |
| 4 | 147 0485 530 | 1 | Dust lid P 40, blue metallic | | 7319519656275 |
| 5 | 147 0450 500 | 1 | HEPA lid, black | | 7319519656398 |
| 6 | 147 0401 500 | 1 | Handle kit, | | 7319519656381 |
| 7 | 147 0242 500 | 2 | Wheel, rear kit | 2 Rear wheels and 2 shafts. | 7319519647594 |
| 8 | 147 0476 500 | 1 | Dust indicator | | |
| 9 | 147 0407 500 | 1 | Latch | Spring, lid stop, included. | 7319519656480 |
| 10 | 147 1040 500 | 1 | Wheel | Link wheel. | 7319519656329 |
| 11 | 147 0413 500 | 1 | Sealing kit | Dust chamber/ motor module gasket. | 7319519656473 |

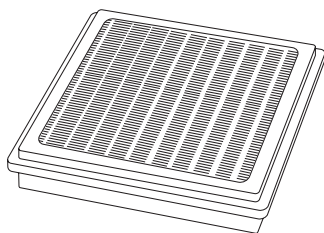
8

1.6.1

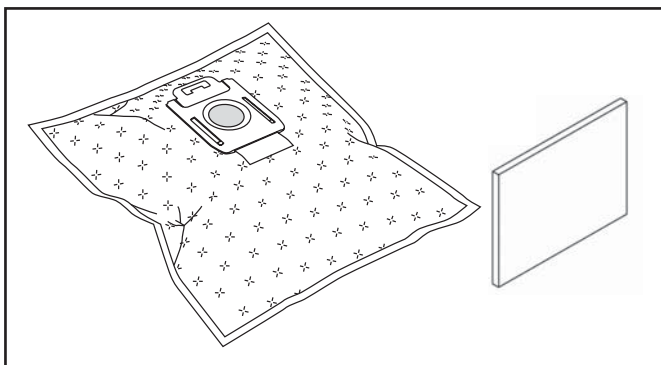
A

DUST BAGS AND FILTERS

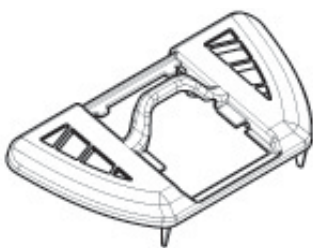
1 —



2 —



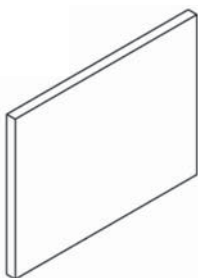
3 —



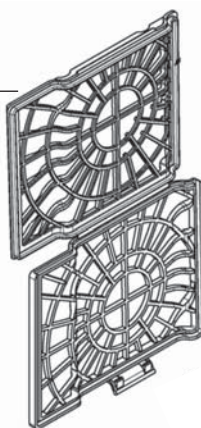
4 —



5 —

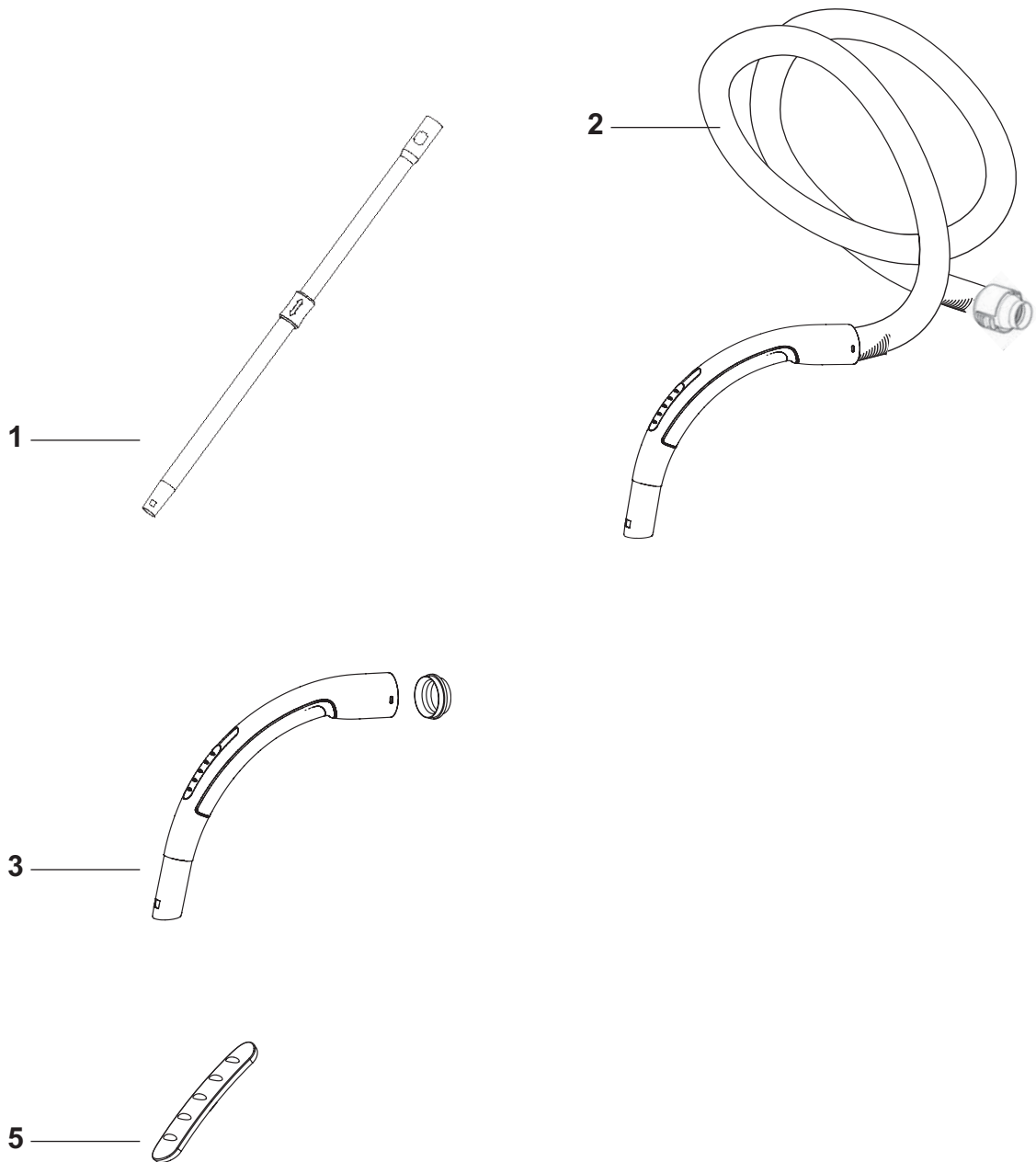


6 —



| | | | | |
|-------|---|---------------|--------------|----------|
| 05-12 | NILFISK POWER - SPARE PARTS LIST | BOOK A | | |
| | DUST BAGS AND FILTERS | A | 1.6.1 | 9 |

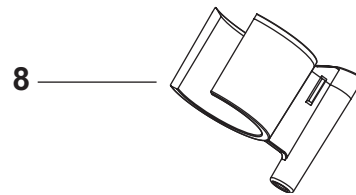
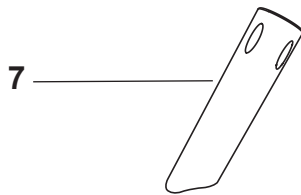
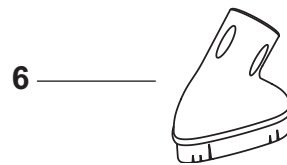
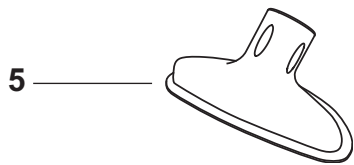
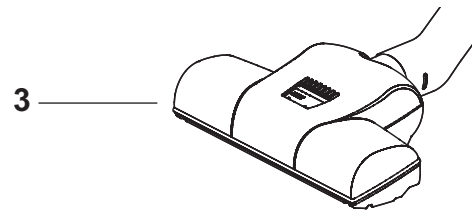
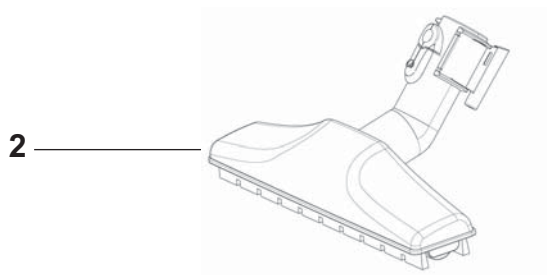
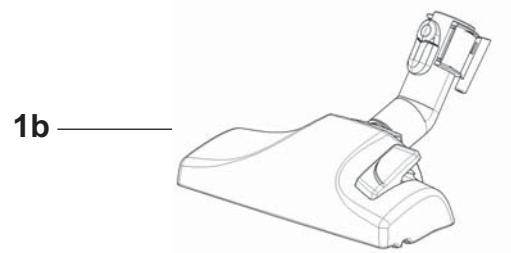
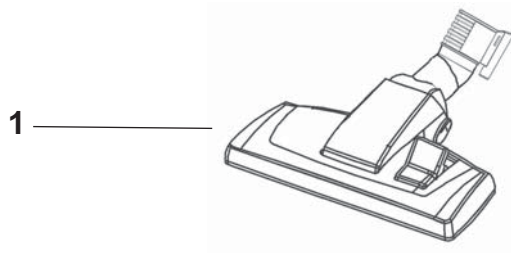
| Item | Part No. | Qty. | Description | Note | EAN code |
|------|--------------|------|---------------------------|----------------------------|---------------|
| 1 | 147 0432 500 | 1 | Hepa filter H12 cpl. | 141x132 mm | 7319519656091 |
| 1 | 147 0433 500 | 1 | Hepa filter H10 cpl. | 141x132 mm | 7319519656114 |
| 2 | 147 0416 500 | 4 | Dust bags and pre-filter | 4 bags plus, 1 pre-filter. | 7319519656220 |
| 3 | 147 0417 500 | 1 | Dust bag holder | | 7319519654523 |
| 4 | 22340000 | 1 | NILFISK Deodorant (1 pcs) | With the smell of lime. | 5715492028627 |
| 5 | 147 0418 500 | 3 | Pre-filter | 3 pcs. of filters. | 7319519656237 |
| 6 | 147 0419 500 | 1 | Pre-filter holder | | 7319519656336 |



| | | | | |
|-------|----------------------------------|---------------|--------------|-----------|
| 05-12 | NILFISK POWER - SPARE PARTS LIST | BOOK A | | |
| 06-02 | HOSE AND TUBE | A | 1.6.1 | 11 |

| Item | Part No. | Qty. | Description | Note | EAN code |
|------|--------------|------|---------------------|--------------------------|---------------|
| 1 >> | 147 0483 500 | 1 | Telescopic tube | D 32 mm Crome | 7319519653090 |
| 2 | 147 0462 500 | 1 | Hose with coupling | D 32/38 mm, L 2000 mm | 7319519656596 |
| 3 | 147 0243 500 | 1 | Bent end | D 32 mm | 7319519647853 |
| 5 | 147 0152 500 | 1 | Valve, for bent end | 5 pcs | 7319519647860 |

>> Means: New or changed ref. number or/and changed/new specifications.



| | | | | |
|-------|---|---------------|--------------|-----------|
| 06-01 | NILFISK POWER - SPARE PARTS LIST | BOOK A | | |
| 05-12 | NOZZLES | A | 1.6.1 | 13 |

| Item | Part No. | Qty. | Description | Note | EAN code |
|------|----------------|------|-------------------------|--|---------------|
| 1 | 140 8492 520 | 1 | Combi nozzle RD 295 | D 32 mm. Black. | 7319519636673 |
| 1b | >>147 1009 500 | 1 | Combi nozzle Basic | D 32 mm | 7319519656190 |
| 2 | >>147 1068 500 | 1 | Hard floor nozzle M300 | D 32 mm Black. | 7319519657821 |
| 3 | 22360000 | 1 | Turbo nozzle | D 32 mm, W 300 mm. Black. | 7319519648072 |
| 5 | 147 0299 500 | 1 | Upholstery nozzle | D 32 mm, W 142 mm. Black. | 7319519647365 |
| 6 | 147 0477 500 | 1 | Triangular brush nozzle | D 32 mm. Black. | 7319519656213 |
| 7 | 147 0146 500 | 1 | Crevice nozzle | D 32 mm, L 153 mm. Black. | 7319519647358 |
| 8 | 12018201 | 1 | Parking clip | Clip for combi nozzle and turbo nozzle. Black. | 5715492028627 |

>> Means: New or changed ref. number or/and changed/new specifications.