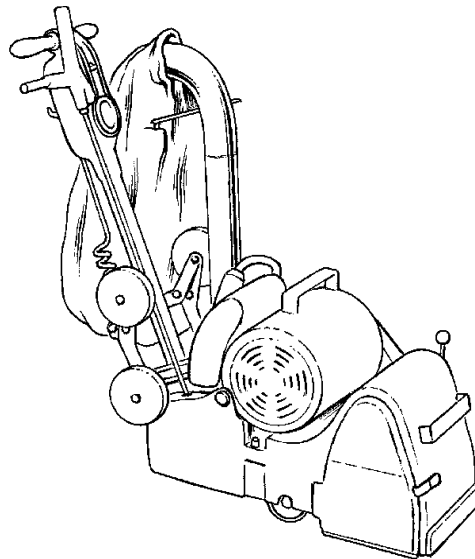

Clarke[®]

American Sanders[®]

FloorCrafter
Belt Sander



Operator's Manual / Manual del operador / Manuel de l'utilisateur
Models: 07104A, 07111A, 07117A

U.S. Patent No. 5,575,710 and No. 6,578,858



READ THIS BOOK



LEA ESTE MANUAL

LISEZ CE MANUEL

EN

English (2 - 20)

ES

Español (22 - 40)

FR

Français (42 - 60)

This book has important information for the use and safe operation of this machine. Failure to read this book prior to operating or attempting any service or maintenance procedure to your Clarke American Sanders machine could result in injury to you or to other personnel; damage to the machine or to other property could occur as well. You must have training in the operation of this machine before using it. If your operator(s) cannot read this manual, have it explained fully before attempting to operate this machine.

All directions given in this book are as seen from the operator's position at the rear of the machine.

Table of Contents

Operator Safety Instructions 3
 Introduction and Machine Specifications 5
 230V Electrical Connection Instructions 6
 How to Transport the Machine 7
 One Person 8
 Two People 9
 Machine Set-Up 9
 How to Operate the Machine 11
 Sanding Cuts and Sandpaper 13
 Chatter Wave Prevention 14
 Sander Adjustment Procedures 15
 Dust Shoe 15
 Sanding Pressure 15
 Leveling the Drum 15
 Belt Tracking 16
 Operating Control 16
 Routine Maintenance 17
 Sanding Chamber 17
 Wheels 17
 Dust Bag 17
 Drive Belt 17
 Bearings 18
 Rollers 18
 Troubleshooting 19

SECTION II Parts and Service Manual

Main Assembly Drawing #1 62
 Main Assembly Parts List #1 63
 Handle Control Assembly Drawing #2 64
 Handle Control Assembly Parts #2 65
 Contact Wheel & Truck Assembly Drawing #3 66
 Contact Wheel & Truck Assembly Parts List #3 67
 Belt Tensioner Assembly Drawing #4 68
 Belt Tensioner Assembly Parts List #4 69
 Dolly Assembly Drawing & Parts List #5 70
 Motor Assembly & Parts List #6 71
 Wiring Diagram 72

⚠ WARNING!

The Products sold with this Manual contain or may contain chemicals that are known to certain governments (such as the State of California, as identified in its Proposition 65 Regulatory Warning Law) to cause cancer, birth defects or other reproductive harm. In certain locations (including the State of California) purchasers of these Products that place them in service at an employment job site or a publicly accessible space are required by regulation to make certain notices, warnings or disclosures regarding the chemicals that are or may be contained in the Products at or about such work sites. It is the purchaser’s responsibility to know the content of, and to comply with, any laws and regulations relating to the use of these Products in such environments. The Manufacturer disclaims any responsibility to advise purchasers of any specific requirements that may be applicable to the use of the Products in such environments.

OPERATOR SAFETY INSTRUCTIONS

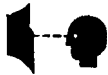
 **WARNING**

 **AVERTISSEMENT**

 **ADVERTENCIA**

DANGER means:	Severe bodily injury or death can occur to you or other personnel if the DANGER statements found on this machine or in this Operator's Manual are ignored or are not adhered to. Read and observe all DANGER statements found in this Operator's Manual and on your machine.
WARNING means:	Injury can occur to you or to other personnel if the WARNING statements found on your machine or in this Operator's Manual are ignored or are not adhered to. Read and observe all WARNING statements found in this Operator's Manual and on your machine.
CAUTION means:	Damage can occur to the machine or to other property if the CAUTION statements found on your machine or in this Operator's Manual are ignored or are not adhered to. Read and observe all CAUTION statements found in this Operator's Manual and on your machine.

 **DANGER:**



Failure to read the Operator's Manual before operating or servicing this sanding equipment could result in injury to the operator or to bystanders and could cause damage to the equipment. Read and observe all safety statements found in this manual and on the sanding equipment. Make sure all labels, decals, warnings, cautions and instructions are fastened to the equipment. Replace any that are damaged or missing. You must have training in the operation of this equipment before using it. **If the operator is unable to read this manual, have it explained fully before they attempt to use this equipment.**

 **DANGER:**



Sanding/finishing wood floors can create an environment that can be explosive. The following safety procedures must be adhered to:

- Cigarette lighters, pilot lights and any other source of ignition can create an explosion when active during a sanding session. All sources of ignition should be extinguished or removed entirely if possible from the work area.
- Work areas that are poorly ventilated can create an explosive environment when certain combustible materials are in the atmosphere, i.e., solvents, thinners, alcohol, fuels, certain finishes, wood dust and other combustible materials. Floor sanding equipment can cause flammable material and vapors to burn. Read the manufacturer's label on all chemicals used to determine combustibility. Keep the work area well ventilated.
- Spontaneous combustion or an explosion can occur when working with sanding dust. The sanding dust can self-ignite and cause injury or damage. Sanding dust should be disposed of properly. Always empty the sanding dust into a metal container that is located outside of any building(s).
- Remove the contents of the dust bag when the bag is 1/3 full. Remove the contents of the dust bag each time you finish using the equipment. Never leave a dust bag unattended with sanding dust in it.
- Do not empty the contents of the dust bag into a fire.
- Hitting a nail while sanding can cause sparks and create an explosion or fire. Always use a hammer and punch to countersink all nails before sanding floors.

**DANGER:**

Operating partially assembled sanding equipment could result in injury to the operator or bystander and could cause damage to the equipment or to other property.

- Do not operate this equipment unless it is fully assembled and all guards, doors and covers are secured.
- Keep all fasteners tight.
- Keep all adjustments within manufacturers specifications.

**DANGER:**

Moving parts on this sanding equipment can cause injury to the operator or bystanders.



- Keep hands, feet and loose clothing away from all moving parts.
- Do not change or adjust the abrasive while the sanding equipment is running.
- Do not service the sanding equipment while it is running.

**DANGER:**

This sanding equipment requires a supply of electricity. Improper use could result in electrical shock or fire.



- Connect only to an electrical source matching what is shown on the equipment nameplate.
- Do not use this sanding equipment on an ungrounded electrical circuit. Consult an electrician if you suspect the circuit is not properly grounded.
- Do not use this sanding equipment with a damaged electrical cord. Inspect before each use.
- Avoid striking the electrical cord with the abrasive. Always lift the electrical cord over the sanding equipment.
- Do not use the electrical cord to move the sanding equipment.
- Disconnect the electrical source before servicing this equipment.

**WARNING:**

In the event of a bag fire, injury can occur to the operator if the operator is tied or strapped to equipment. Use operating belt properly (follow procedure on page 11).

**WARNING:**

Injury to the operator or bystander can occur if protective gear is not worn while sanding. Always use eye, ear, and respiratory protection while performing any sanding operation.

**WARNING:**

Bodily injury could occur if power is applied to the equipment with the power switch already in the "ON" position. Always check to assure that the power switch is in the "OFF" position before connecting power supply.

**CAUTION:**

Maintenance and repairs performed by unauthorized personnel could result in damage or injury. Maintenance and repairs performed by unauthorized personnel will void your warranty. Servicing of this unit must always be referred to an authorized Clarke American Sanders distributor.

**CAUTION:**

Use of this equipment to move other objects or to climb on could result in injury or damage. Do not use this equipment as a step or furniture. Do not ride on this equipment.

**CAUTION:**

Damage could occur to the equipment if not properly kept in a dry building for storage. Store the equipment in a dry building.

**CAUTION:**

The equipment is heavy. When transporting the equipment, remove the motor. Get help to lift the equipment and motor.

**CAUTION:**

Serious damage to the floor can occur if the sanding equipment is left running in one spot while the sanding drum is in contact with the floor. To avoid damage to the floor, feather cut in at a normal sanding rate. Do not dwell while lowering or raising the contact wheel. Always sand at a constant rate.

Introduction and Machine Specifications

MODEL	07104A	07111A	07117A	
Electrical Requirements	230~, 60Hz 15.7 A, 3.7 kW	230V~, 50Hz 11.8 A, 3.0 kW	230V~, 50Hz 12.0 A, 3.0 kW	230~, 50Hz 12.0 A, 3.0 kW
Sound Emission (Lpm)	93.0 dB(A)	96.2 dB(A)	96.2 dB(A)	96.2 dB(A)
Vibration	<.15 in/s	2.88 m/s ² rms	2.88 m/s ² rms	2.88 m/s ² rms
Motor	4 Hp Induction	2.2 kW Induction	2.2 kW Induction	2.2 kW Induction
Contact Wheel Rate	2450 rpm	2042 rpm	2042 rpm	2042 rpm
Abrasive Rate	4500 ft/min	3750 ft/min	1143 m/min	1143 m/min
Abrasive Size	29½" x 7 ⁷ / ₈ "	29½" x 7 ⁷ / ₈ "	750mm x 200mm	750mm x 200mm
Fan Flow Rate	234 CFM	195 CFM	92 liters/s	92 liters/s
Drum Settings	80 lbs., 70lbs., 60 lbs.	80 lbs., 70lbs., 60 lbs.	36 kg, 32 kg, 27 kg	36 kg, 32 kg, 27 kg
Overload Protection	Magnetic Circuit Breaker	Magnetic Circuit Breaker	13 A Fuse	Thermal Circuit Breaker
Electrical Cable	50', 10-3 SJO LP-20P Plug	100', 12-3 SJO AU2-15P Plug	15m HO7RN 3 x 1.5mm ² UK1-13P Plug	IEC309 16A-6H Inlet and Connector
Operating Controls	Adjustable Lever/Grip	Adjustable Lever/Grip	Adjustable Lever/Grip	Adjustable Lever/Grip
Leveling Controls	Externally Adjustable	Externally Adjustable	Externally Adjustable	Externally Adjustable
Operating Wheels	80 Durometer Clear Urethane	80 Durometer Clear Urethane	80 Durometer Clear Urethane	80 Durometer Clear Urethane
Weight	204 lbs.	204 lbs.	94 kg	93 kg
Dimensions	35 x 13 ³ / ₄ x 38 ³ / ₄	35 x 13 ³ / ₄ x 38 ³ / ₄	89cm x 35cm x 98cm	89cm x 35cm x 98cm



CAUTION:

Your equipment may be inappropriate on some installations. Some softer woods used in flooring cannot support the pressure created by hard wheels.

Always consult with the flooring manufacturer on the proper installation, preparation, and finishing of their product. Determine suitability of your equipment in preparing the product.

230V Electrical Connection Instructions

⚠ CAUTION: This machine will operate only on AC frequency and on electrical voltage shown on the equipment nameplate. Make sure you have the correct frequency and voltage before connecting the power cord to an outlet. See the example in figure 1.

This machine must be connected to an electrical source with an earthing conductor in order to protect the operator from electric shock. This machine has an approved power cord with three conductors as well as a plug with three terminals. Connect the plug to a matching receptacle.

⚠ DANGER: Electrocutation could occur if the machine is exposed to water or rain. Keep the machine in a dry building.

⚠ DANGER: Electrocutation could occur if machine is not connected to an electrical source with an earthing conductor. To prevent possible electric shock, use an electrical cord with an earthing conductor and connect it to a matching electrical source. For maximum protection against electrical shock, use a circuit that is protected by a ground fault circuit interrupter. Consult your electrical contractor.

⚠ DANGER: Electrocutation could occur if the machine is used with a damaged plug or power cord. If the cords or plugs are worn or damaged in any way, have them replaced by an authorized service person or electrician.

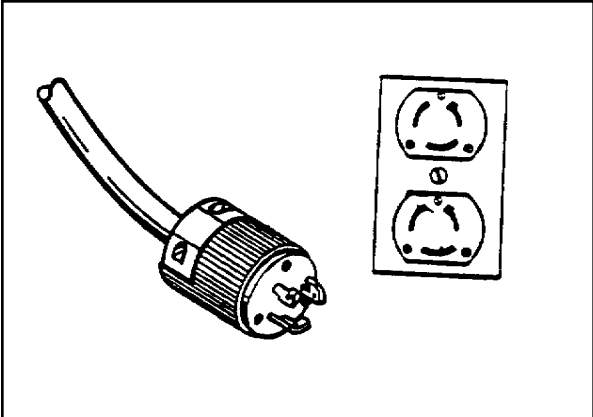


Figure 1

Extension Cords

Use only an approved three-pronged extension cord with two main conductors and one earthing conductor. This machine is equipped with a power cord. When greater range is needed follow the table below to determine cable gauge of additional footage. Refer to the chart to the right for extension cord information.

If motor appears to labor or takes a considerable longer time to come up to speed reduce sanding pressure.

Feet/Wire Gauge (Stranded Copper)

Source Voltage	0 - 100'	100 - 250'
208	6	Use Voltage Booster
230	10	8

How to Transport the Machine

- ⚠ WARNING:** The machine is heavy. Remove the motor from the machine before transporting. Get help loading the machine and motor. Use proper lifting techniques.

Transporting the Machine - Using the Dolly Cart

- ⚠ CAUTION:** When deploying the dolly, the drum will contact the floor or ground over which the machine is resting. Care should be taken to avoid surfaces which might damage or contaminate the drum.

- ⚠ CAUTION:** While transporting using the dolly, abrupt changes in the direction of travel or the surface over which the machine is being transported could cause the machine to tip over. Also, the machine is more likely to tip over when transporting across inclined surfaces.

Attach the dolly to the rear of the machine as follows:

1. Open the quick release levers (2A) and unscrew the adjustment nuts (2B) to allow installation of the dolly. (See figure 2)
2. Insert the quick release skewers into the dolly brackets and immediately tighten the adjustment nuts until the dolly mechanism will just swing free.

Deploy the dolly under the machine as follows:

1. With the dolly mechanism in place as described above, tip the machine by lifting up on the operators handle to raise the rear of the machine off the floor/ground until the dolly swings under the machine. (See figure 3)
2. Hold the dolly in position using your foot and allow the machine to tip back and rest on the dolly wheels. (See figure 4)
3. Tip the machine back on all four wheels and close the quick release levers for transport. Some adjustment of the quick release skewers may be necessary to allow the levers to be tightened securely.

Removing/Storing the dolly:

The dolly can be stored on the machine in the "UP" position or it can be removed and stored separately.

1. Open the quick release levers to loosen the dolly.
2. Lift up on the operators handle to tip the machine forward.
3. Swing the dolly out from under the machine and lower the machine until it rests on its own wheels.

- ⚠ CAUTION:** Be careful when lowering the machine. The dolly will swing back toward the operator as the machine is lowered.

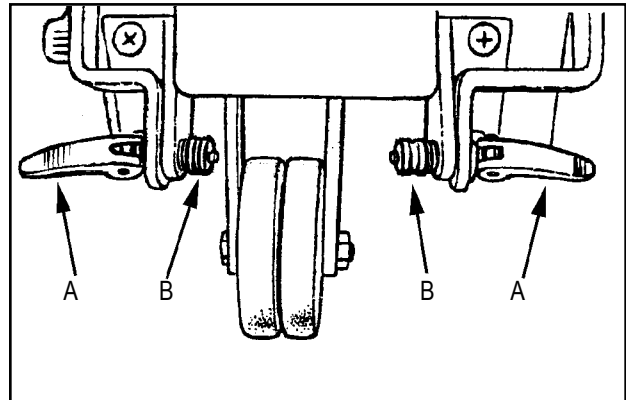


Figure 2

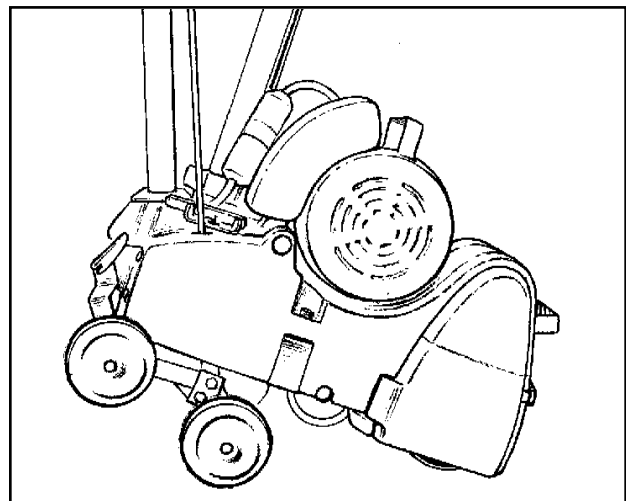


Figure 3

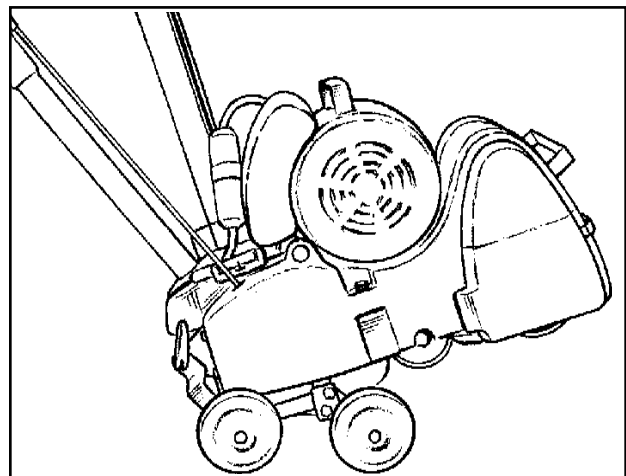


Figure 4

How to Transport the Machine

4. To store the dolly in the "UP" position, swing the dolly up against the top of the mainframe as far as it will travel and close the quick release levers to secure it in place. (See Figure 5)
5. To remove the dolly, loosen the quick release adjustment nuts until the levers and nuts clear the counter-bore on the dolly brackets, and remove the dolly.
6. Tighten the adjustment nuts until the quick release levers can be closed to secure the dolly in place.

Transporting the Machine - One Person

NOTE: This is accomplished by removing the motor from the chassis and transporting the motor and chassis separately.

To transport the machine, follow this procedure:

1. Make sure the power cable is disconnected from the electrical outlet.
2. Release the tension on the drive belts using the quick release lever. (See Figure 6A)
3. Open the belt guard by pulling on the handle immediately above the left truck wheel. (See Figure 6B)
4. Remove the drive belts from the machine
5. Disconnect the motor pigtail from the handle pigtail. (See Figure 7) if so equipped.
6. Unscrew the motor mounting knobs to loosen the motor. (See Figure 8)
7. Straddle the motor and grasp the motor lift handle. Using your legs, lift the motor off the chassis and take it to the work site.
8. Lift the chassis by grasping the front and rear handles. Lift the frame and bring the belt guard against your chest. Take the chassis to the work site.

To assemble the machine after transporting, follow this procedure:

1. Open the belt guard door. Place the motor assembly on the chassis and screw the motor mounting knobs sufficiently to engage and secure the motor.
2. Install the drive belts. Tighten the belts using the belt tension quick release lever.
3. Check the tension on the belts and close the belt guard door.

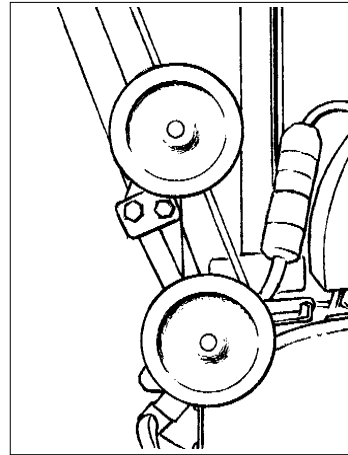


Figure 5

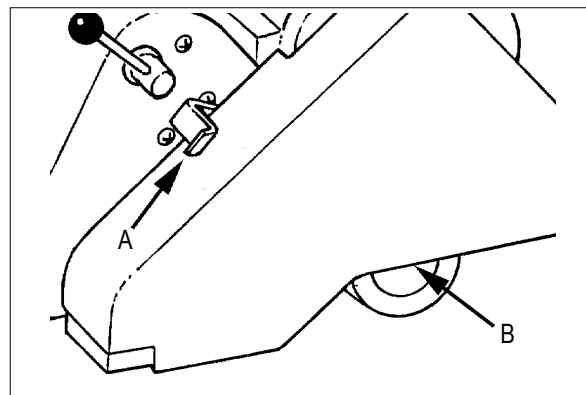


Figure 6

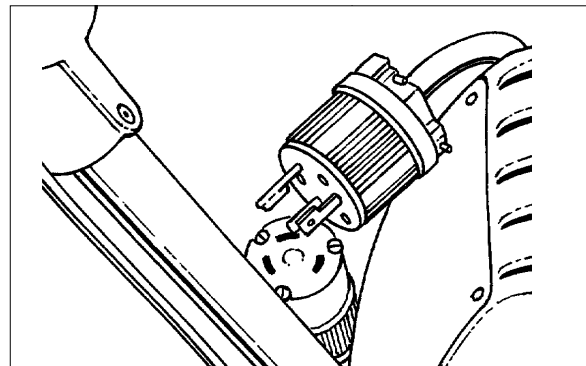


Figure 7

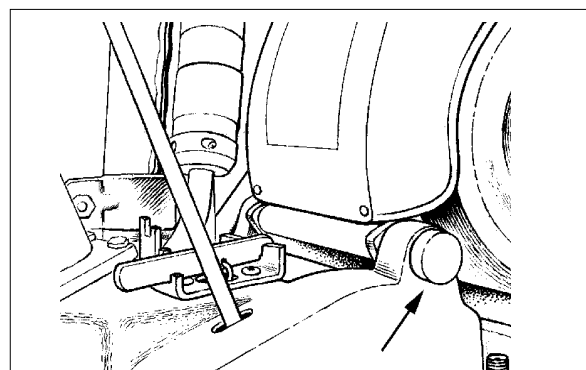


Figure 8

How to Transport the Machine

⚠ CAUTION: Premature bearing failure can occur if the fan belt is set too tight. The fan belt should deflect $\frac{1}{2}$ " at the center of the span with 5 lbs. of pressure.

NOTE: It is necessary to adjust the fan belt independently during this procedure or during replacement. The idler pulley is factory adjusted.

Transporting the Machine by Carrying - Two People

1. Person #1 places his hands under the front of the machine's main casting.
2. Person #2 lifts the machine by the operating handle.

Machine Set-Up

To set-up your machine, follow this procedure:

1. Familiarize yourself with the machine and read all danger, warning and caution statements. Make sure all operators of this machine have read this Owner's Manual. If they cannot read this manual, have the manual explained fully before allowing anyone to operate the sander.
2. Locate the electrical source. The receptacle should be compatible with the plug. The receptacle must be grounded and must be fused (see nameplate for electrical requirements) to avoid an electrical hazard.
3. Clip the dust bag to the elbow. (See figure 9) Cross the strings on the dust bag and draw tight over the flare on the elbow. Wrap the string around the elbow and secure.
4. Wind the electrical cord through the cable arm. (See figure 10) Keep the power cord out of path of equipment. Do not connect the electrical cord at this time.
5. Pull the draw latch forward to release the access door to gain entry to the sanding chamber.
6. Rotate the release lever forward. (See Figure 11)

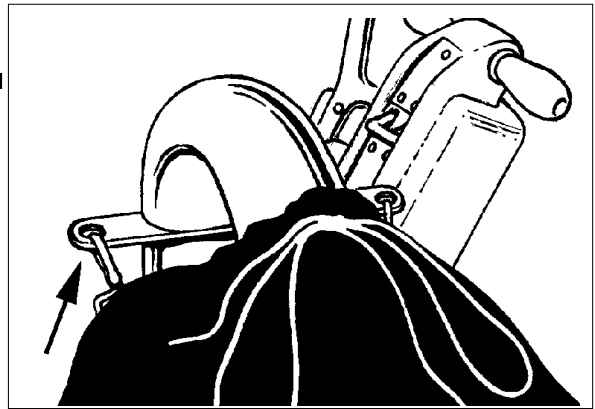


Figure 9

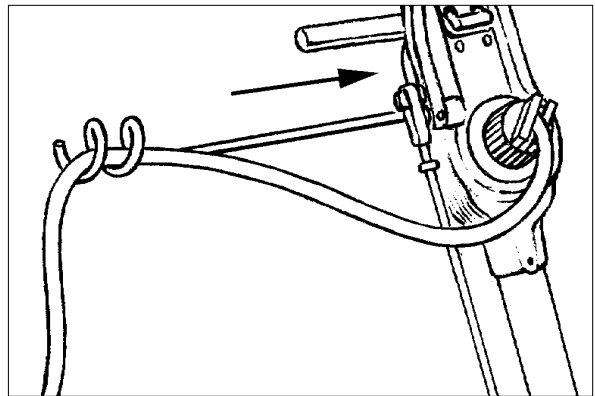


Figure 10

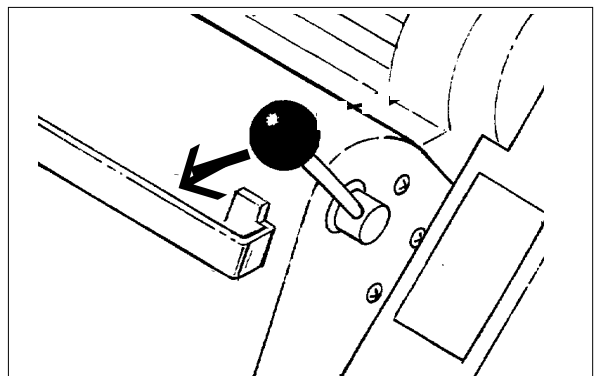


Figure 11

Machine Set-Up (Cont)

7. Install a new abrasive belt by sliding the abrasive over the tension roller and contact wheel.
(See figure 12)
8. Rotate the release lever backward to tighten the abrasive belt.

⚠ CAUTION: Do not force the release lever. Doing so can damage the tracking mechanism and cause the abrasive belt to mis-track.

9. Depending on the model, the control switch is found on either the operating handle or on the motor. Verify that the control switch is set to "OFF". See the marking on the switch.
10. Connect the electrical cord. On certain models, the connection must be twisted clockwise to lock.
11. Jog (turn on momentarily - test operation) the control switch while observing the belt tracking. Follow the procedures outlined in the "Sander Adjustment Procedures" on page 16 to correct the belt tracking. There is also a label on the inside of the access door that outlines the belt adjustment.
12. Close the access door. Place the end of the draw latch over the keeper on the access door and push the draw latch flat against the mainframe to secure.

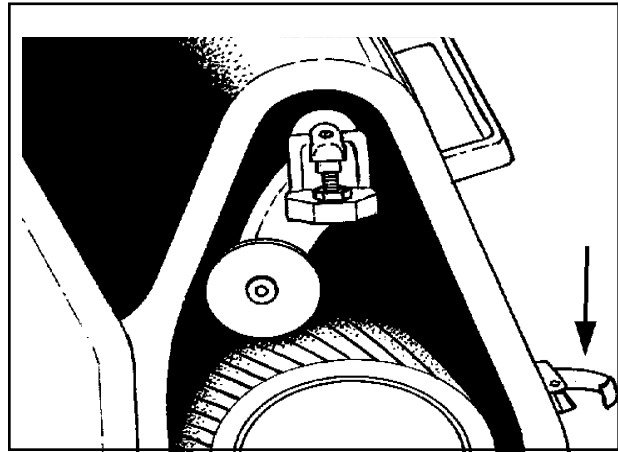






Figure 12

How to Operate the Machine

 **DANGER:** Sanding/finishing wood floors can create an environment that can be explosive. Cigarette lighters, pilot lights and any other source of ignition can create an explosion when active during a sanding session. All sources of ignition should be extinguished or removed entirely if possible from the work area.

 **DANGER:** Work areas that are poorly ventilated, can create an explosive environment when certain combustible materials are in the atmosphere, i.e., solvents, thinners, alcohol, fuels, certain finishes, wood dust and other combustible materials. Floor sanding machines can cause flammable material and vapors to ignite. Read the manufacturer's label on all chemicals used to determine combustibility. Keep the work area well ventilated.

 **DANGER:** Sanding dust can self ignite and cause an injury or damage. Remove the contents of the dust bag each time you finish using the machine. Always dispose of the dust in a metal container located outside of the building. Never leave a dust bag unattended with sanding dust in it. Empty the contents frequently. Do not empty the contents of the dust bag into a fire.

 **DANGER:** Hitting a nail while sanding can cause sparks and create an explosion or fire. Always use a hammer and punch to countersink all nails before sanding floors.


To operate the machine follow this procedure:

1. Before sanding, decide on best approach for sanding desired area. If the floor is uneven, it may be necessary to sand diagonally to the direction that the floor is laid. This will help "pull" or stretch low and high spots in the floor over a greater area, producing a flatter surface. Preliminary cuts should be performed at angles approximately 15° to the direction of the wood grain. Cut direction should change on successive cuts with the final cut performed in the direction of the wood grain. This will minimize the tendency of waves to form and provide the most even floor surface.


When sanding the area, work in a way so that you are moving away from where the cord set enters the room. This will help to avoid entanglement with the cord set and eliminate the need to move the cord set out of the way so frequently.

Work the area in a way that avoids interruption or termination points (an end of pass.) Make long continuous passes.

2. Swing cable arm to side of machine opposite the direction you intend to work. Rotate elbow on dust pipe until dust bag rest on motor. This will maintain balance and sanding pressure as the dust bag fills. The machine should be operated with the dust bag in this position whenever possible.
3. If the operating belt (Clarke American Sanders PN 60724A) is used proceed as follows:
 - a. Position the operating belt around waist.
 - b. Cross the straps at the waist. See figure #13.
 - c. Slide the belt loop end over the handle on the control lever side. Adjust the length as needed.
 - d. Wrap the remaining strap around the opposite side of the handle, and hold it in place with your hand.

 **WARNING:** Serious operator injury could occur if the operator has tied or strapped the loose end of the operator's belt strap to the machine. Always wrap the strap so that you can let go and get away quickly in case of bag fire or explosion.

4. Activate the control switch.

 **CAUTION:** To prevent damage to the floor, make sure the machine is in motion when the contact wheel is engaged with the floor.

5. Feather-cut in by easing the contact wheel down onto the surface with the control lever while the sander is in motion.

How to Operate the Machine

6. When contact wheel is fully engaged with the surface, gradually adjust your pace for adequate finish removal. Keep sander in motion while the contact wheel is engaged with the surface or dwell marks will occur.
7. Move the machine in the direction of the grain in the wood whenever it is possible. Sand the surface at a constant pace.
8. Gradually feather-cut out at the termination point by easing the contact wheel up with the control lever. (See Figure 13)
9. Repeat technique described in steps 5, 6, 7, and 8 and sand back down pass just made. When completed, begin a new pass by overlapping previous pass half the width of the abrasive. Stagger termination points to prevent a distinct ridge and a better blend when edging.
10. Empty contents of the dust bag into a metal container located outside the building. Dust bag should be emptied whenever full, as indicated on bag.

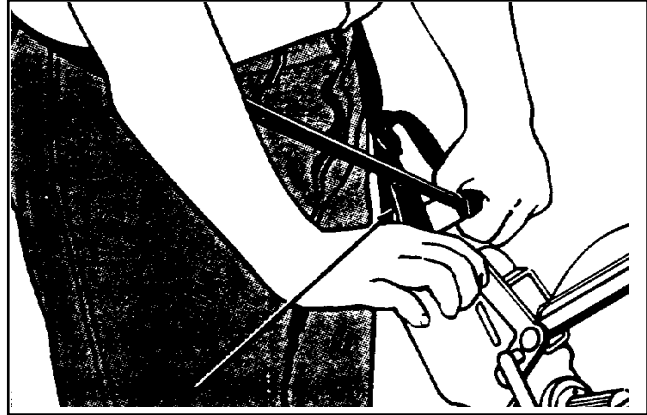


Figure 13

⚠ WARNING: Do not overfill dust bag or serious fire may result. Never leave a dust bag containing dust unattended. Sanding dust can self ignite and cause a fire or explosion. Use only genuine Clarke American Sanders replacement bags.

⚠ CAUTION: An overfilled dust bag may effect machine balance and performance. Do not handle or disturb dust bag and elbow while sanding or damage to the floor may occur.

Sanding Cuts and Sandpaper

Initial Cut

The purpose of the initial cut is to remove old finish and gross imperfections on the floor surface. The sanding equipment should be adjusted to heavy sanding pressure setting and a coarse abrasive belt should be used. If the surface is severely damaged by deep scratches, preexisting dwell marks, uneven planks, etc., it may be necessary to sand across or diagonally to the grain to restore evenness to the surface. If these conditions are not present, the initial cut should be done in the direction of the grain.

If glazing, loading, or burning takes place immediately into an initial cut, select a coarser abrasive. If this should occur during an initial cut, the abrasive has dulled and must be replaced.

Final Cuts

The purpose of a finishing cut is to remove the scratches produced during the initial cut. Use a fine (60 - 80 grit) grain abrasive and a reduced sanding pressure setting.

If the surface remains rough after a finishing cut, it may be necessary to use an even finer grain of abrasive (80 - 100 grit). Care should be taken in selecting the grit size of the abrasive. A very fine grain will close the pores on a wood floor making admission of a stain difficult.

If glazing or burning should occur immediately into a finishing cut, reduce the sanding pressure. If it should occur during a finishing cut, the abrasive has dulled and must be replaced.

Abrasive Belts

Note: All part numbers listed are for a carton of 10 belts

Grain	Use	Aluminum Oxide	Silicon Carbide	Ceramic Alum. Oxide
16 grit	For removing gross imperfections and restore evenness to old flooring. To remove build-up of paints and varnishes.	-	945844	-
36 grit	For first sanding of new flooring (maple, oak). For removing minor imperfections and finishes from old flooring.	-	945842	945901
40 grit	For first sanding of new flooring (oak, walnut). For removing minor imperfections and finishes from old flooring.	-	945841	945902
50 grit	For first sanding of new flooring (cedar, pine, fir) For cleanup of 16 grit.	-	945840	945903
60 grit	For cleanup from initial cut 36 - 40 grit.	945839	-	945904
80 grit	For final sanding of certain hardwoods. For cleanup of initial cuts (50 grit).	945838	-	945905
100 grit	For final sanding of certain hardwoods where a smooth surface is desired.	945837	-	945909
120 grit	For final sanding of certain conifers.	945836	-	945910
150 grit	For final sanding of certain conifers where a smooth surface is desired.	945835	-	945911
180 grit	For surface roughing between coats of finish.	945834	-	-

Chatter Wave Prevention

Clarke Sanders are designed and manufactured to the most rigid tolerances. However, after a finishing cut it is possible to see “chatter” or “waves”.

The best guarantee to remove the chatter is to finish the floor with a rotating horizontal sander, such as Clarke’s Sander 16.

To minimize chatter when using a belt or drum sander the following steps should be taken:

1. **DRUM MARKS**...are caused by the operator lowering the drum to the floor without forward traverse. These marks should be removed by cutting at a 45 degree angle to the mark. Cutting at the mark while maintaining the same path will only increase the mark depth and width.
(See figure 14)
2. **UNEVEN WALKING SPACE**...can leave lengthy “waves”. The machine cuts more material during the slower pace. Pay particular attention to a steady even pace.
3. **EXCESSIVE LIGHT CUTS**...may reveal high spots on the paper/contact wheel and cause chatter. Take a heavier cut and increase the pace.
4. **DEBRIS**...lodged between the paper and the drum will leave chatter. On a belt sander, debris may be adhered to the drum. Insure the drum is clean and free of debris before placing the paper on.
5. **ABRASIVE QUALITY**...may vary. Belt seams can be thicker on low quality paper and cause chatter. Use only Clarke specified sandpaper. Store abrasive according to manufacturer’s recommendation.

PROPER CARE OF YOUR MACHINE CAN MINIMIZE CHATTER AND WAVES.

1. **V-BELTS**...can cause vibration and chatter if they are of low quality. Use only belts specified by Clarke.
2. **TRUCK AND CASTER WHEELS**...with flat spots, out-of-roundness, or debris adhered to their surface can cause “waves” or a “chatter effect”. Always clean and inspect all wheels before starting to sand, and before the finish cut. Replace or true the wheels if found to be out-of-round. Never allow the sander to stand on hard surfaces for lengthy periods of time.
3. **DUST PICK-UP SHOES**...may need adjusted differently for different materials that are to be sanded. An improperly adjusted shoe will leave trailing debris that will be run over by the wheels and cause “random waves”.
4. **CONTACT WHEELS (DRUMS)**...may be out-of-round and cause “chatter”. Contact your Clarke dealer for assistance to true or replace the drum.
5. **BEARINGS**...in the motor, drum, or fan system may become worn and induce vibration which could cause “chatter”.
6. **PULLEYS**...that are damaged or severely worn can induce vibration and cause “chatter”. Contact your Clarke dealer for assistance.
7. **SANDPAPER TENSION**...should always be released when the machine is shut off for 10 minutes or longer to avoid compression of the drum.

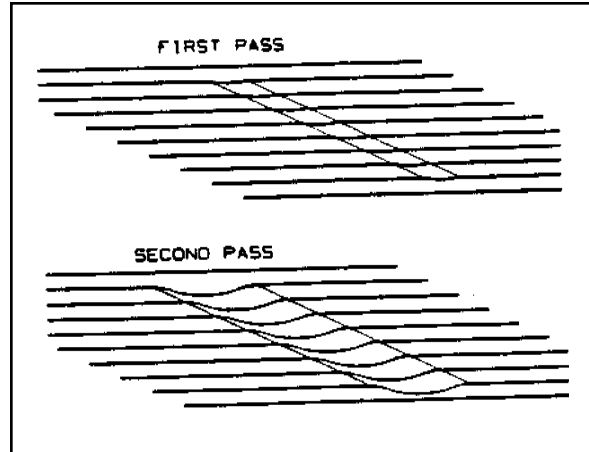


Figure 14

NOTE: Clarke is not responsible for rework of floors that are unacceptable to the customer. It is your responsibility to insure your equipment is in proper operating order, and that you use the right machine for the job.

Sander Adjustment Procedures

⚠ DANGER: Electrocutecouldoccurifmaintenance and repairs are performed on a unit that is not properly disconnected from the power source. Disconnect the power supply before attempting any maintenance or service.

⚠ DANGER: Moving parts of this machine can cause serious injury and/or damage. Keep hands, feet and loose clothing away from all moving parts of the sander.

The following information provides details on how to adjust different features/controls of the sander.

Dust Shoe

To adjust the dust shoe follow this procedure:

1. Disconnect machine from power supply.
2. Loosen the three screws fastening the dust shoe to the chassis.
3. Adjust the dust shoe down to reduce clearance.
4. Adjust the dust shoe up to increase clearance.
5. Align the dust shoe to the chassis and tighten screws. (See figure 15)

Sanding Pressure

There are three pressure settings to select from: heavy, medium and light. The lower the position the heavier the setting. To change settings, raise the lever and place in desired position. (See figure 16)

Leveling the Drum

⚠ CAUTION: The belt tracking maybe adversely effected if machine is operated unlevelled.

The machine is leveled at the factory set and no adjustments should be necessary. After any maintenance is performed to the carriage system, the pointer on the leveling bracket must be returned to original mark (See figure 17).

If it is necessary to reset level after replacing wheels follow this procedure:

1. Lower the contact wheel to the floor.

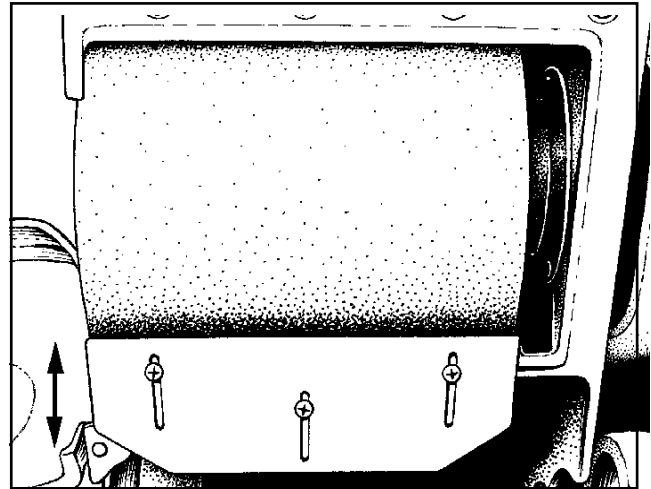


Figure 15

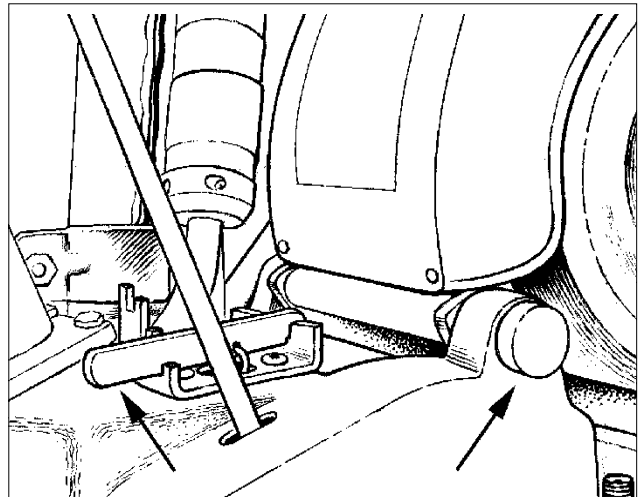


Figure 16

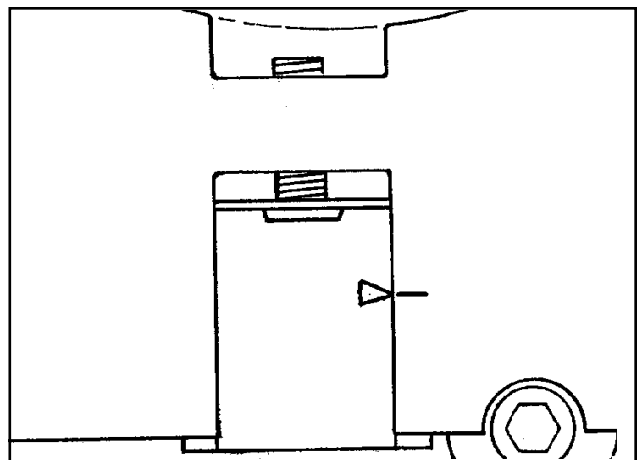


Figure 17

Sander Adjustment Procedures

2. Drive the adjusting screw **in**, to sand heavier on the left (the drive belt side). Back the adjusting screw **out**, to sand heavier on the right (the side opposite the drive belts). Test the setting on an even surface. Make further adjustments if necessary.
3. Mark new pointer location on main frame

Belt Tracking

NOTE: The sanding belt should run evenly on the face of the contact wheel. For this, the outer edge of the sanding belt must be .09 inches (2mm) out from the end of the contact wheel. This provides optimum transition between “passes”.

⚠ WARNING: Injury to the operator could occur if any machine adjustments are made while the motor is running. Do not attempt to make any adjustments while the machine is plugged in or running.

To adjust the belt tracking follow this procedure:

1. Locate the belt tracking adjuster screw. (See figure 18A)
2. Hold the belt tracking adjuster screw and loosen the locknut. (See figure 18B).
3. Rotate the tracking adjuster screw counterclockwise to move the belt in.
4. Rotate the tracking adjuster screw clockwise to move the belt out.
5. Test adjustment and tighten the locknut.

Operating Control

To **increase** the travel or extend the reach on the grip control, follow this procedure:

1. Loosen the locknut on the control rod. (See figure 19A)
2. Screw the control rod adjuster (See figure 19B) “**in**” until the desired reach is found.
3. Tighten the locknut.

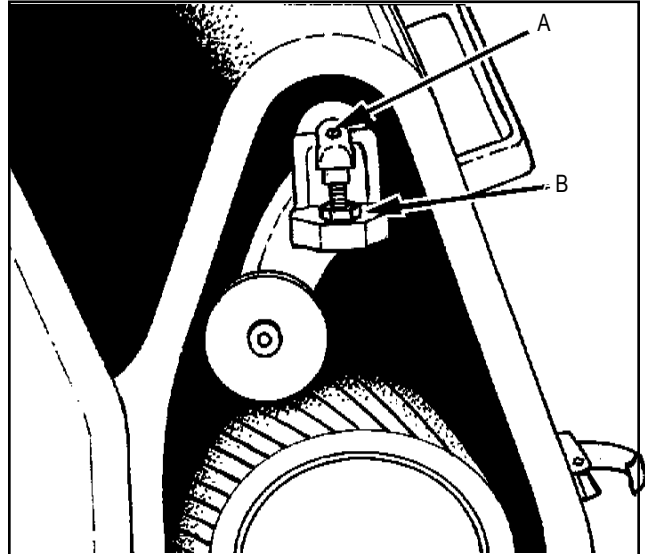


Figure 18

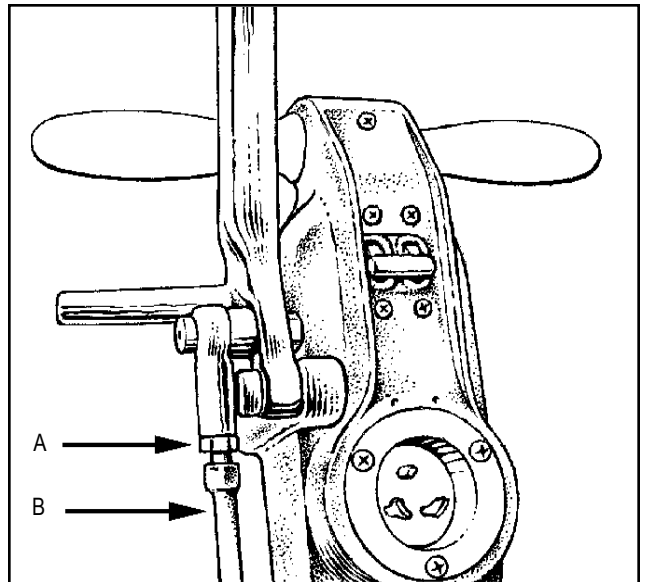


Figure 19

Sanding Adjustment Procedures

To **decrease** the travel or reduce the reach on the grip control, follow this procedure:

1. Loosen the locknut on the control rod. (See figure 20A)
2. Screw the control rod adjuster “**out**” until desired reach is found.
3. Tighten the locknut.

Routine Maintenance

The following items need to be periodically inspected and maintained to keep your sander in good working condition.

Sanding Chamber

Periodically blow out the sanding chamber to prevent large accumulations of debris which could interfere with the performance of the tension roller.

Wheels

Periodically remove the debris from the truck and caster wheels. Debris can cause waves on a sanded surface.

Dust Bag

Remove the dust bag from the machine and shake it thoroughly to remove the sanding dust from the dust bag. Turn the dust bag inside out and machine wash in cold water to prevent pore blockage and loss of dust recovery.

Drive Belt

Drive belt tension is factory set and should not require adjustment. Periodically check the drive belt tension. Proper belt tension is achieved when 10 lbs. of force at the mid-span of the belt produces ½ inch of deflection.

To increase belt tension, release tension using quick release lever (See Figure 6).

Turn the adjustment screw “**OUT**” (See Figure 21) one quarter turn. Restore tension using quick release lever and check adjustment. Repeat this process if necessary. To lower tension, the adjustment screw is turned “**IN**”.

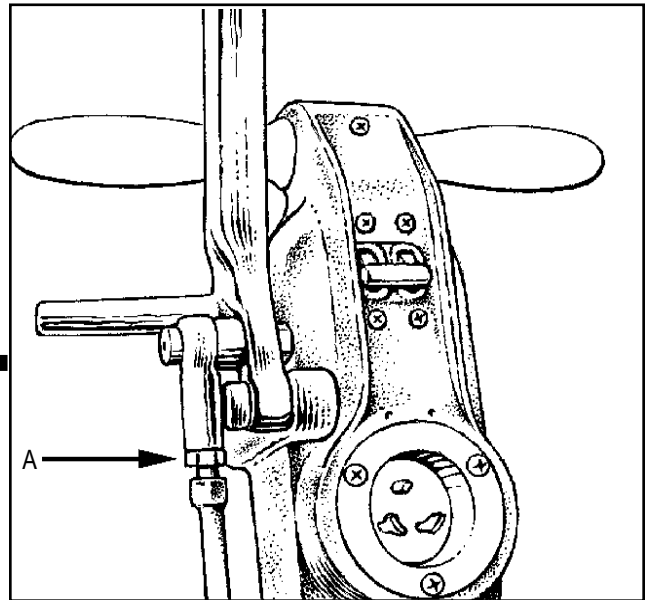


Figure 20

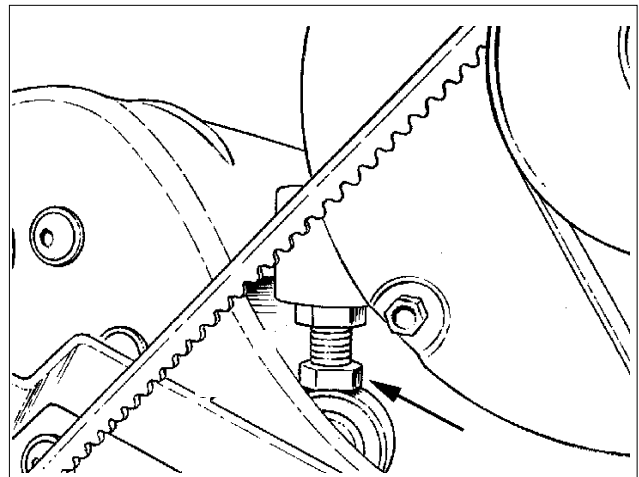


Figure 21

Routine Maintenance

Bearings

Periodically check the bearings for wear or damage according to the following schedule:

<i>Guide rollers</i>	after 1 st 650 hrs.
<i>Idler pulley</i>	after 1 st 1500 hrs.
<i>Fan shaft</i>	after 1 st 2500 hrs.
<i>Tension roller</i>	after 1 st 2500 hrs.
<i>Arbor shaft</i>	after 1 st 5000 hrs.
<i>Motor shaft</i>	after 1 st 5000 hrs.

Rollers

Periodically check the guide rollers and the tension roller for wear

Troubleshooting

Problem	Cause	Action
Drive belts slip. (Squeaking or squealing sound)	Insufficient tension.	Tension drive belt as described in adjustment procedures.
	Worn belts.	Replace belts.
Squealing, growling or grinding noise coming from machine.	Damaged and/or worn bearing.	Remove drive belts, rotate arbor motor, fan, shafts and idler pulley to locate dragging or rough bearing. Contact an authorized dealer.
Dust pickup is poor.	Dust bag is full.	Empty contents of bag.
	Dust bag is dirty.	Shake debris from bag and wash.
	Dust shoe is improperly adjusted.	Readjust dust shoe.
	Dust chute is obstructed.	Remove fan cover and clear throat.
Motor will not start.	Defective motor starter.	Contact an authorized dealer.
	Defective start capacitor.	Contact an authorized dealer.
	Defective electronic start switch.	Contact an authorized dealer.
	Low voltage from poor connection.	Contact an authorized dealer.
	Defective motor.	Contact an authorized dealer.
	No power.	Check electrical source and connections.
	Tripped circuit breaker.	Reset
Motor runs sluggishly.	Low voltage from excessive footage, undersized extension cord, or poor connection.	Locate power source nearer to work site. Decrease sanding pressure.
	Defective run capacitor.	Contact an authorized dealer.
	Defective motor.	Contact an authorized dealer.
Motor circuit breaker trips/ repeatedly trips.	Excessive load.	Contact an authorized dealer.
	Defective electronic start switch.	Contact an authorized dealer.
	Defective motor starter.	Contact an authorized dealer.
	Low voltage from poor connection.	Contact an authorized dealer.
	Defective motor.	Contact an authorized dealer.
	Defective capacitor.	Contact an authorized dealer.
Uneven cuts.	Leveling out of adjustment.	Readjust leveling.
	Abrasive belt tracking.	Adjust belt to track towards the edge of drum with deepest cut.

Troubleshooting


Problem	Cause	Action
Burning or glazing.	Dull abrasive. Excessive sanding pressure. Too fine of an abrasive belt.	Replace abrasive. Decrease sanding pressure setting. (Fig. #16, page 15). Use coarser abrasive.
Slow cutting.	Dull abrasive. Too fine of an abrasive belt. Insufficient sanding pressure.	Replace abrasive. Use a coarser abrasive belt. Increase sanding pressure setting. (Fig. #16, page 15).
Waves on sanded surface.	Debris on wheels. Flat spot on tire(s).	Remove and clean wheels. Replace tires.
Chatter marks on sanded surface. (Close evenly spaced ripples)	See Chatter Wave Prevention, page 14.	See Chatter Wave Prevention, page 14.
Difficult to actuate tension release lever.	Debris interferes with mechanism Worn sleeve bearing. Galled linkages.	Blow out sanding chamber. Remove and disassemble mechanism. Clean out. Replace. Lubricate with WD-40.
Abrasive belt hunts (seeks).	Worn sleeve bearing. High edges on contact wheel.	Check for excessive play, replace. Contact an authorized dealer or replace the contact wheel.
Abrasive belt will not track.	Extreme difference in side-to-side length of belt. High edge on contact wheel.	Replace abrasive belt. Check several different abrasive belts. Contact an authorized dealer or replace the contact wheel.
Abrasive belt tears along its length.	Debris built-up on (top) tension roller.	Clean tension roller.

LEA ESTE MANUAL




Este manual contiene información importante acerca del uso y la seguridad de la máquina. Si no lee el manual antes de utilizar su máquina Clarke American Sanders o de intentar realizar los procedimientos de reparación o mantenimiento de la misma, usted o el resto del personal podrían sufrir lesiones; asimismo, podrían producirse daños a la máquina o a otras propiedades. Antes de utilizar la máquina, es necesario recibir la capacitación adecuada en la operación de la misma. Si el operador de la máquina no sabe leer en español, explíquelo el manual exhaustivamente antes de que intente utilizarla.

Todas las indicaciones incluidas en este manual se ofrecen desde la posición del operador en la parte posterior de la máquina.

Instrucciones de seguridad para el operador	23
Introducción y especificaciones de la máquina	24
Instrucciones de conexión eléctrica a 230V	26
Cómo transportar la máquina	27
Una persona	28
Dos personas	29
Instalación de la máquina	29
Operación de la máquina	31
Cortes de lija y papel de lija	33
Cómo evitar marcas de vibraciones y ondulaciones	34
Procedimientos de ajuste de la lijadora	35
Zapata para el polvo	35
Presión de lijado	35
Nivelación del tambor	35
Alineación de correa	36
Control de funcionamiento	36
Mantenimiento de rutina	37
Cámara de lijado	37
Ruedas	37
Bolsa de polvo	37
Correa de transmisión	37
Cojinetes	38
Rodillos	38
Resolución de problemas	39
 Sección II Repuestos y manual de servicio	
Plano de montaje principal # 1	62
Lista de piezas del montaje principal #1	63
Plano de montaje de palanca de control # 2	64
Piezas del montaje de palanca de control # 2	65
Plano de montaje de camión y rueda de contacto #3	66
Lista de piezas del montaje de camión y rueda de contacto #3	67
Plano de montaje del tensor de correa #4	68
Lista de piezas del montaje del tensor de correa #4	69
Plano y lista de piezas del montaje de rodillo pulidor #5	70
Lista de piezas y montaje del motor #6	71
Diagrama del cableado	72

 **ADVERTENCIA:** Los Productos a la venta en este Manual contienen, o pueden contener, productos químicos reconocidos por algunos gobiernos (como el Estado de California, según lo indica en su Proposición 65, Ley de Advertencia Regulatoria) como causantes de cáncer, defectos de nacimiento u otros daños reproductivos. En algunas jurisdicciones (incluido el Estado de California), los compradores de estos Productos que los coloquen en servicio en un emplazamiento laboral o en un espacio de acceso público tienen la obligación regulatoria de realizar determinados avisos, advertencias o divulgaciones respecto de los productos químicos contenidos o posiblemente contenidos en los Productos utilizados en tal lugar. Es la responsabilidad del comprador conocer y cumplir con todas las leyes y reglamentaciones relacionadas con el uso de estos Productos en tales entornos. El Fabricante niega toda responsabilidad de informar a los compradores sobre requisitos específicos que pueden regir el uso de los Productos en tales entornos.

INSTRUCCIONES DE SEGURIDAD PARA EL OPERADOR

-  **PELIGRO** significa: Usted u otras personas pueden estar expuestos a sufrir lesiones personales, inclusive la muerte si las indicaciones de **PELIGRO** que se encuentran en esta máquina o en el manual de instrucciones se ignoran o no se tienen en cuenta. Lea y respete todas las indicaciones de **PELIGRO** que se encuentran en el manual de instrucciones y en la máquina.
-  **ADVERTENCIA** significa: Usted u otras personas pueden estar expuestos a sufrir lesiones personales, si las indicaciones de **ADVERTENCIA** que se encuentran en esta máquina o en el manual de instrucciones se ignoran o no se tienen en cuenta. Lea y respete todas las indicaciones de **ADVERTENCIA** que se encuentran en el manual de instrucciones y en su máquina.
-  **PRECAUCIÓN** significa: La máquina u otros bienes pueden sufrir daños materiales si las indicaciones de **PRECAUCIÓN** que se encuentran en la máquina o en el manual de instrucciones se ignoran o no se tienen en cuenta. Lea y respete todas las indicaciones de **PRECAUCIÓN** que se encuentran en el manual de instrucciones y en la máquina.



PELIGRO:

En caso de que no se lea el manual de instrucciones antes de operar este equipo de lijado o realizar el mantenimiento del mismo podría resultar en que el operador u otras personas en el área sufriesen lesiones personales y el equipo podría sufrir daños materiales. Lea y respete todas las indicaciones de seguridad que se encuentran en este manual y en el equipo de lijado. Asegúrese que todas las etiquetas, calcomanías, advertencias, precauciones e instrucciones estén adheridas a la máquina. Reemplace cualquier indicación que esté dañada o falte. Antes de utilizar el equipo, es necesario recibir la capacitación adecuada en la operación del mismo. **Si el operador no puede leer este manual, explíquese exhaustivamente antes que intente utilizar este equipo.**



PELIGRO:

El lijado/acabado de pisos de madera puede crear un entorno que puede ser explosivo. Se deberán tener en cuenta los siguientes procedimientos de seguridad:

- Los encendedores, las lámparas indicadoras y cualquier otra fuente de ignición pueden provocar una explosión si se activan durante una sesión de lijado. Si es posible, apague o retire por completo todas las fuentes de ignición del área de trabajo.
- Las áreas de trabajo que estén muy poco ventiladas pueden crear un entorno explosivo cuando se encuentran determinados materiales combustibles en la atmósfera: por ejemplo, solventes, diluyentes, alcoholes, combustibles, ciertos acabados, polvo de madera y otros materiales combustibles. El equipo de lijado de pisos puede provocar la combustión de los materiales y vapores inflamables. Lea la etiqueta del fabricante sobre todas las sustancias químicas utilizadas para determinar su combustibilidad. Mantenga el área de trabajo bien ventilada.
- Pueden producirse una combustión espontánea o una explosión cuando se trabaja con polvo de lijado. El polvo de lijado puede auto-encenderse, provocando lesiones personales y daños materiales. Deshágase del polvo de lijado de una manera adecuada. Vacíe siempre el polvo de lijado dentro de un recipiente de metal que esté localizado fuera del edificio.
- Extraiga el contenido de la bolsa de polvo cuando la misma esté llena a 1/3. Extraiga el contenido de la bolsa de polvo cada vez que termine de usar el equipo. Nunca deje la bolsa sin vigilancia cuando haya polvo de lijado en la misma.
- No vacíe el contenido de la bolsa de polvo en el fuego.
- Golpear un clavo cuando se lija puede causar chispas y crear una explosión o un incendio. Utilice siempre un martillo y perfore para avellanar todos los clavos antes de lijar los pisos.



PELIGRO:

La operación de equipo de lijado parcialmente ensamblado podría provocar que el operador o las personas en el área de trabajo sufriesen lesiones, y también podría causar daños materiales al equipo o a otros bienes.

- No opere este equipo a menos que esté totalmente ensamblado y que todas las protecciones, puertas y tapas estén bien aseguradas en su lugar.
- Mantenga todas las sujeciones apretadas.
- Mantenga todos los ajustes dentro de las especificaciones del fabricante.



PELIGRO:



Las partes móviles de este equipo de lijado pueden causar lesiones al operador o a las personas que se encuentren en el área de trabajo.

- Mantenga las manos, los pies y la vestimenta suelta alejados de todas las partes móviles.
- No cambie ni ajuste el abrasivo mientras el equipo de lijado esté en funcionamiento.
- No realice ningún servicio de reparación o mantenimiento al equipo de lijado mientras esté en funcionamiento.



PELIGRO:



Este equipo de lijado requiere un suministro de electricidad. El uso inadecuado podría provocar una descarga eléctrica o un incendio.

- Conecte únicamente a un suministro eléctrico que coincida con lo que se muestra en la placa de identificación del equipo.
- No utilice este equipo de lijado sobre un circuito eléctrico sin conexión a tierra. Consulte con un electricista si sospecha que el circuito no está adecuadamente conectado a tierra.
- No utilice este equipo de lijado con un cable eléctrico dañado. Inspecciones antes de cada uso.
- Evite golpear el cable eléctrico con el abrasivo. Eleve siempre el cable eléctrico sobre el equipo de lijado.
- No utilice el cable eléctrico para mover el equipo.
- Desconecte el suministro eléctrico antes de realizar un servicio de reparación o mantenimiento al equipo.



ADVERTENCIA:

En el caso de que la bolsa se prenda fuego, el operador puede resultar lesionado si está atado o sujeto al equipo. Utilice el cinturón operativo adecuadamente (siga el procedimiento de la página 11).



ADVERTENCIA:



Si no se utilizan los dispositivos de protección personal correctos mientras se realiza el lijado, el operador o cualquier persona en el área de trabajo pueden sufrir lesiones. Utilice siempre protección respiratoria, ocular y auditiva mientras realice una operación de lijado.



ADVERTENCIA:

Pueden producirse lesiones personales si se aplica potencia al equipo con el interruptor de alimentación ya situado en la posición "ON" (Encendido). Asegúrese siempre de que el interruptor de alimentación esté en la posición "OFF" (Apagado) antes de conectar la fuente de alimentación.



PRECAUCIÓN:

El mantenimiento y las reparaciones realizados por personal no autorizado podrían producir daños materiales o lesiones personales. El mantenimiento y las reparaciones realizadas por personal no autorizado anularán su garantía. El mantenimiento y las reparaciones de esta unidad siempre deben ser realizados por un distribuidor autorizado de Clarke American Sanders.



PRECAUCIÓN:

Si utiliza este equipo para desplazar otros objetos o para subirse al mismo se pueden producir lesiones o daños. No utilice este equipo como escalera ni como mueble. No se suba al equipo.



PRECAUCIÓN:

Si el equipo no se guarda correctamente en un edificio sin humedad podría resultar dañado. Guarde el equipo en un lugar seco.



PRECAUCIÓN:

El equipo es pesado. Cuando transporte el equipo, extraiga el motor. Consiga ayuda para elevar el equipo y el motor.



PRECAUCIÓN:

Se puede causar un daño grave al piso si el equipo de lijado se deja funcionando en un lugar mientras el tambor de lijado está en contacto con el piso. Para evitar dañar el piso, comience a lijar a una velocidad de lijado normal. Cuando baje o eleve la rueda de contacto, hágalo en el menor tiempo posible. Lije siempre a una velocidad constante.

Introducción y especificaciones de la máquina

MODELO	07104A	07111A	07117A	
Requerimientos Eléctricos	230~, 60Hz 15,7 A, 3,7 kW	230V~, 50Hz 11,8 A, 3,0 kW	230V~, 50Hz 12,0 A, 3,0 kW	230~, 50Hz 12,0 A, 3,0 kW
Emisión de sonido (Lpm)	93,0 dB(A)	96,2 db(A)	96,2 db(A)	96,2 db(A)
Vibración	<.15 pulg/seg.	2,88 m/seg. ² rms	2,88 m/seg. ² rms	2,88 m/seg. ² rms
Motor	Inducción 4 cv	Inducción 2,2kW	Inducción 2,2kW	Inducción 2,2kW
Velocidad de rueda de contacto	2450 rpm	2042 rpm	2042 rpm	2042 rpm
Tasa de abrasivo	4500 pies/min	3750 pies/min	1143 m/min	1143 m/min
Tamaño de abrasivo	29½ pulg x 7 ⁷ / ₈ pulg	29½ pulg x 7 ⁷ / ₈ pulg	750mm x 200mm	750mm x 200mm
Tasa de flujo de ventilación	234 CFM	195 CFM	92 litros/s.	92 litros/s.
Ajustes del tambor	80 lbs., 70lbs., 60 lbs.	80 lbs., 70lbs., 60 lbs.	36 kg, 32 kg, 27 kg	36 kg, 32 kg, 27 kg
Protección contra sobrecargas	Circuito magnético Disyuntor	Circuito magnético Disyuntor	Fusible 13 A	Circuito térmico Disyuntor
Cable eléctrico	50 pies, 10-3 SJO Enchufe LP-20P	100 pies, 12-3 SJO Enchufe AU2-15P	15 m HO7RN 3 x 1,5 mm ² Enchufe UK1-13P	IEC309 16A-6H Entrada y conector
Controles operativos	Palanca/Mango ajustable	Palanca/Mango ajustable	Palanca/Mango ajustable	Palanca/Mango ajustable
Controles de nivelación	Ajustables externamente	Ajustables externamente	Ajustables externamente	Ajustables externamente
Ruedas operativas	Durómetro 80 Uretano transparente	Durómetro 80 Uretano transparente	Durómetro 80 Uretano transparente	Durómetro 80 Uretano transparente
Peso	204 lbs.	204 lbs.	94 kg	93 kg
Dimensiones	35 x 13 ³ / ₄ x 38 ³ / ₄	35 x 13 ³ / ₄ x 38 ³ / ₄	89 cm x 35 cm x 98 cm	89 cm x 35 cm x 98 cm



PRECAUCIÓN:

Su equipo puede ser inadecuado para algunas instalaciones. Algunas maderas más suaves utilizadas en pisos no pueden resistir la presión generada por ruedas duras.

Consulte siempre con el fabricante del piso sobre la instalación, preparación y acabado correctos de su producto. Determine si su equipo es adecuado al preparar el producto.

Instrucciones de conexión eléctrica a 230V

⚠ PRECAUCIÓN: Esta máquina funciona únicamente con la frecuencia de CA y el voltaje eléctrico indicados en la placa de identificación del equipo. Asegúrese de contar con la frecuencia y la tensión correctas antes de conectar el cable de alimentación a una toma de corriente. Vea el ejemplo en la figura 1.

Esta máquina debe conectarse a una fuente eléctrica con un conductor de conexión a tierra para proteger al operador de las descargas eléctricas. Esta máquina dispone de un cable eléctrico aprobado con tres conductores, así como también de un enchufe con tres terminales. Conecte el enchufe a un receptáculo apropiado.

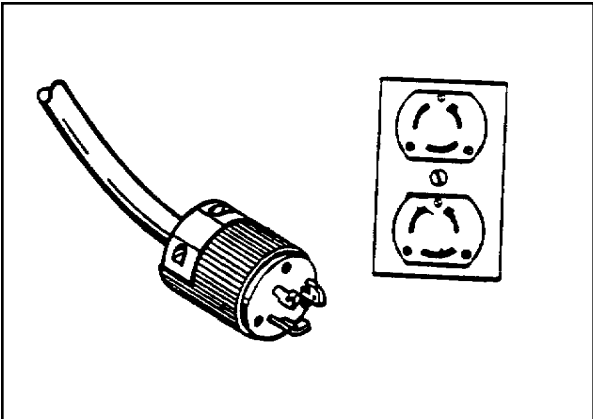


Figura 1

⚠ PELIGRO: Si la máquina se expone a agua o lluvia usted podría electrocutarse. Guarde la máquina en un lugar cubierto y seco.

⚠ PELIGRO: si la máquina no se conecta a una fuente eléctrica con un conductor de conexión a tierra podría producirse una electrocución. Para evitar la posibilidad de una descarga eléctrica, utilice un cable eléctrico con un conductor de conexión a tierra y conéctelo a una fuente eléctrica adecuada. Para lograr la máxima protección contra las descargas eléctricas, utilice un circuito que esté protegido por un interruptor de circuito de fuga a tierra. Consulte con su electricista.

⚠ PELIGRO: Si la máquina se utiliza con un enchufe o un cable eléctrico dañados podría producirse una electrocución. Si los cables o enchufes están desgastados o dañados de alguna manera, haga que los cambie un técnico o un electricista autorizados.

Alargadores

Utilice únicamente un alargador de tres puntas aprobado con dos conductores principales y un conductor de conexión a tierra. Esta máquina está equipada con un cable de alimentación. Cuando se necesita un rango más grande, fíjese en la tabla que aparece a continuación para determinar el calibre del cable del metraje adicional. Consulte el cuadro situado a la derecha para obtener más información sobre el alargador.

Si tiene la impresión de que el motor está esforzándose o tarda más tiempo en alcanzar su velocidad, reduzca la presión de lijado.

Calibre de cable/pies (cobre trenzado)

Tensión de la fuente	0 - 100'	100 - 250'
208	6	Utilice amplificador de tensión
230	10	8

Cómo transportar la máquina

⚠ ADVERTENCIA: La máquina es pesada. Saque el motor de la máquina antes de transportarla. Consiga ayuda para cargar la máquina y el motor. Utilice las técnicas de izado adecuadas.

Cómo transportar la máquina – Cómo utilizar el carro del rodillo pulidor

⚠ PRECAUCIÓN: Cuando utilice el rodillo pulidor, el tambor entrará en contacto con el piso sobre el cual la máquina esté reposando. Debe tener mucho cuidado de evitar superficies que podrían dañar o contaminar el tambor.

⚠ PRECAUCIÓN: Mientras transporta el rodillo pulidor, cualquier cambio abrupto en la dirección de recorrido o en la superficie sobre la cual la máquina está siendo transportada podrían hacer que la máquina se vuelque. Asimismo, es más probable que la máquina se vuelque cuando si se transporta por superficies inclinadas.

Acople el rodillo pulidor a la parte posterior de la máquina de la siguiente manera:

1. Abra las palancas de liberación rápida (2A) y desatornille las tuercas de fijación (2B) para permitir la instalación del rodillo pulidor. (Consulte la figura 2)
2. Inserte los pinchos de liberación rápida dentro de las ménsulas del rodillo pulidor e inmediatamente apriete las tuercas de fijación hasta que el mecanismo del rodillo pulidor se libere.

Utilice el rodillo pulidor debajo de la máquina de la siguiente manera:

1. Con el mecanismo del rodillo pulidor en su lugar como se describe anteriormente, incline la máquina elevándola por la manija del operador para elevar del piso la parte posterior de la misma hasta que el rodillo pulidor gire debajo de la máquina. (Consulte la figura 3)
2. Sostenga el rodillo pulidor en su posición utilizando sus pies y permita que la máquina se incline hacia atrás y descanse sobre las ruedas del rodillo pulidor. (Consulte la figura 4)
3. Vuelva a situar la máquina sobre sus cuatro ruedas y cierre las palancas de liberación rápida para transportarla. Puede ser necesario realizar algún ajuste de los pinchos de liberación rápida para permitir que las palancas se ajusten firmemente.

Desinstalación/almacenamiento del rodillo pulidor:

El rodillo pulidor puede guardarse en la máquina en la posición "UP" (Hacia arriba) o puede desinstalarse y guardarse por separado.

1. Abra las palancas de liberación rápida para aflojar el rodillo pulidor.
2. Eleve haciendo la manija del operador para inclinar la máquina hacia delante.
3. Extraiga el rodillo pulidor de debajo de la máquina girándolo y baje la máquina hasta que descansa sobre sus propias ruedas.

⚠ PRECAUCIÓN: Tenga cuidado cuando baje la máquina. El rodillo pulidor girará hacia atrás hacia el operador cuando se baje la máquina.

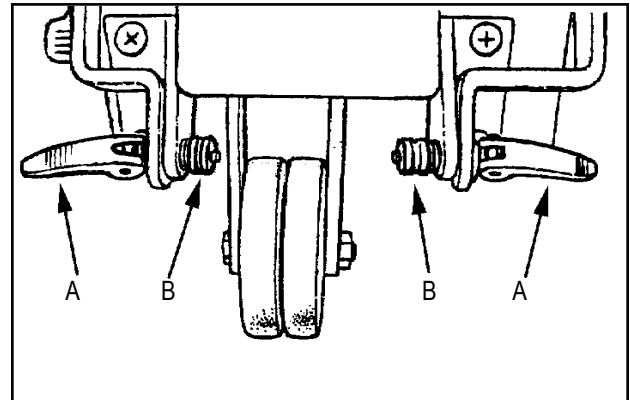


Figura 2

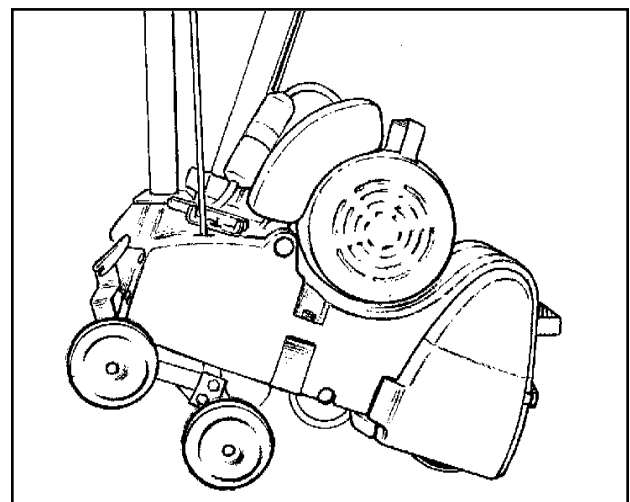


Figura 3

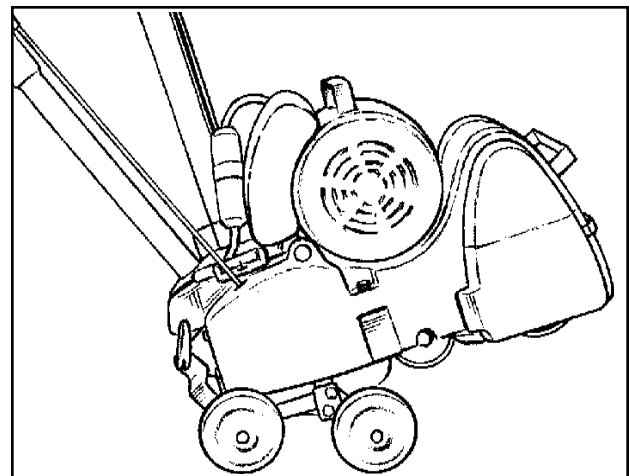


Figura 4

Cómo transportar la máquina

4. Para guardar el rodillo pulidor en la posición "UP", gire el mismo hacia arriba contra la parte superior de la unidad principal tanto como sea posible y cierre las palancas de liberación rápida para asegurarlo en su lugar. (Consulte la figura 5)
5. Para extraer el rodillo pulidor, afloje las tuercas de fijación de liberación rápida hasta que las palancas y las tuercas dejen vacío el ensanchador en las ménsulas del rodillo pulidor y extraiga dicho rodillo.
6. Apriete las tuercas de fijación hasta que las palancas de liberación rápida se puedan cerrar para asegurar el rodillo pulidor en su lugar.

Cómo transportar la máquina - Una persona

NOTA: Esto se lleva a cabo extrayendo el motor del chasis y transportando el motor y el chasis por separado.

Para mover la máquina siga este procedimiento:

1. Asegúrese de que el cable de alimentación esté desconectado del tomacorriente eléctrico.
2. Libere la tensión en las correas de transmisión utilizando la palanca de liberación rápida. (Consulte la figura 6A)
3. Abra la protección de la correa tirando de la manija justo por encima de la rueda izquierda del camión. (Consulte la figura 6B)
4. Retire las correas de transmisión de la máquina.
5. Desconecte del cable flexible de la manija el cable flexible de conexión del motor. (Consulte la Figura 7) si cuenta con este accesorio.
6. Desatornille las perillas de montaje del motor para aflojar el motor. (Consulte la figura 8)
7. Sujete el motor a ambos lados y agarre la manija de elevación del motor. Utilizando sus piernas, saque el motor fuera del chasis y trasládalo al lugar de trabajo.
8. Levante el chasis haciendo las manijas frontal y posterior. Levante el bastidor y mueva la protección de la correa contra su pecho. Traslade el chasis al lugar de trabajo.

Para ensamblar la máquina después de transportarla, siga este procedimiento:

1. Abra la puerta de la protección de la correa. Coloque el montaje del motor sobre el chasis y atornille las perillas de montaje del motor lo suficiente como para enganchar y asegurar el motor.
2. Instale las correas de transmisión. Apriete las correas utilizando la palanca de liberación rápida de tensión de la correa.
3. Verifique la tensión en las correas y cierre la puerta de protección de la correa.

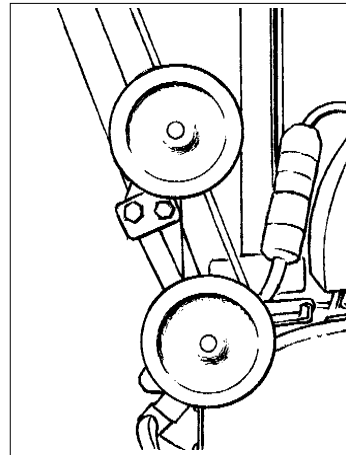


Figura 5

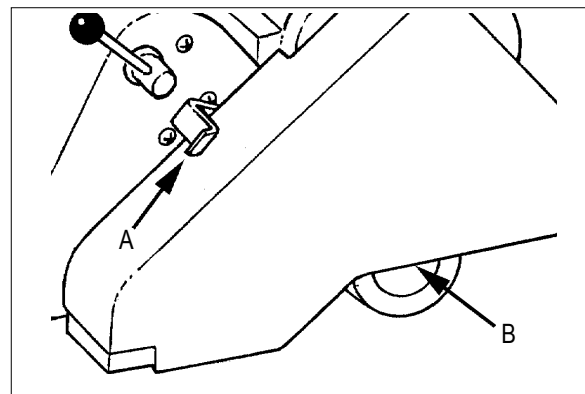


Figura 6

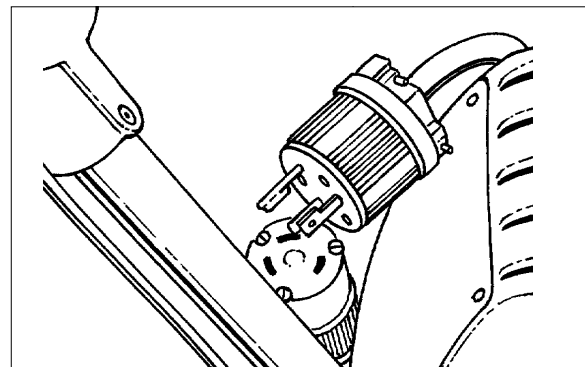


Figura 7

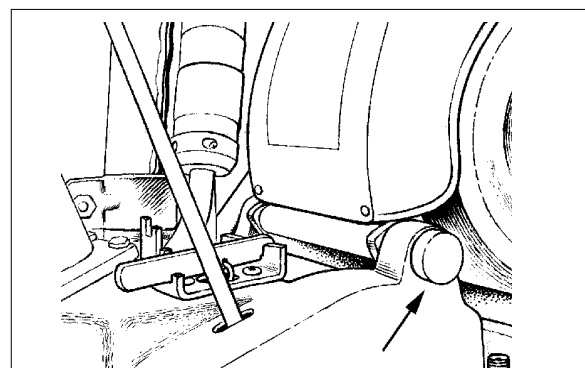


Figura 8

Cómo transportar la máquina

- ⚠ PRECAUCIÓN:** Si ajusta la correa del ventilador con demasiada tensión, el cojinete puede dañarse de manera prematura. La correa del ventilador debe desviarse $\frac{1}{2}$ pulg en el centro de ancho con 5 lb de presión.

NOTA: Es necesario ajustar la correa del ventilador de manera independiente durante este procedimiento o cuando se cambie. La polea loca se ajusta en fábrica.

Cómo transportar la máquina cargándola - Dos personas

1. La Persona #1 coloca sus manos bajo la parte frontal de la pieza de hierro fundido principal de la máquina.
2. La persona #2 levanta la máquina por medio de la manija de operación.

Instalación de la máquina

Para instalar su máquina siga este procedimiento:

1. Familiarícese con la máquina y lea todas las indicaciones de peligro, advertencia y precaución. Asegúrese de que todos los operadores de la máquina hayan leído este manual de instrucciones. Si ellos no pueden leer este manual, explíqueles el mismo por completo antes de permitirles operar la lijadora.
2. Localice la fuente eléctrica. El receptáculo debe ser compatible con el enchufe. El receptáculo debe estar conectado a tierra y debe contar con fusibles (consulte la placa de identificación para conocer los requerimientos eléctricos) para evitar cualquier riesgo eléctrico.
3. Sujete la bolsa de polvo al codo. (Consulte la figura 9). Cruce las tiras de la bolsa de polvo y ajústelas sobre el ensanche del codo. Envuelva la tira alrededor del codo y asegure.
4. Enrolle el cable eléctrico a través del brazo del cable. (Consulte la figura 10). Mantenga el cable eléctrico alejado del recorrido del equipo. No conecte el cable eléctrico en este momento.
5. Tire del seguro móvil hacia delante para liberar la puerta de acceso y así poder acceder a la cámara de lijado.
6. Gire la palanca de liberación hacia delante. (Consulte la figura 11)

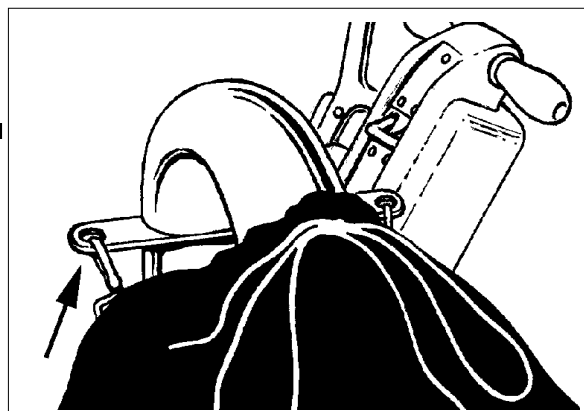


Figura 9

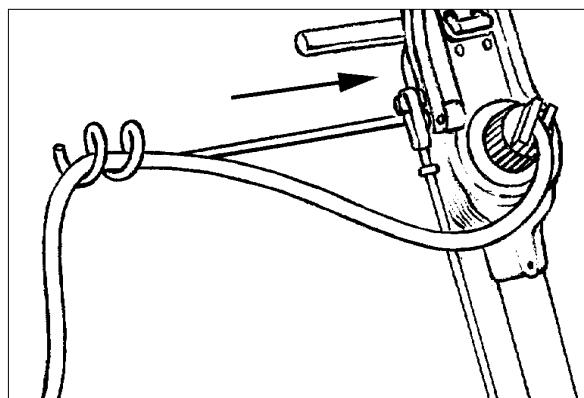


Figura 10

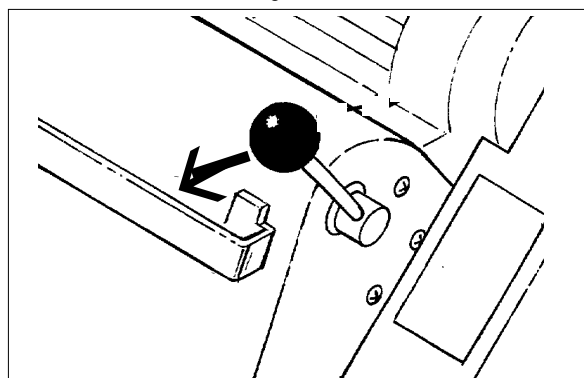


Figura 11

Instalación de la máquina

7. Instale una nueva correa abrasiva deslizando el abrasivo sobre el rodillo de tensión y la rueda de contacto.
(Consulte la figura 12)
8. Gire la palanca de liberación hacia atrás para asegurar la correa abrasiva.

⚠ PRECAUCIÓN: No fuerce la palanca de liberación. De hacerlo el mecanismo de alineación puede resultar dañado, haciendo que la correa abrasiva se desalinee.

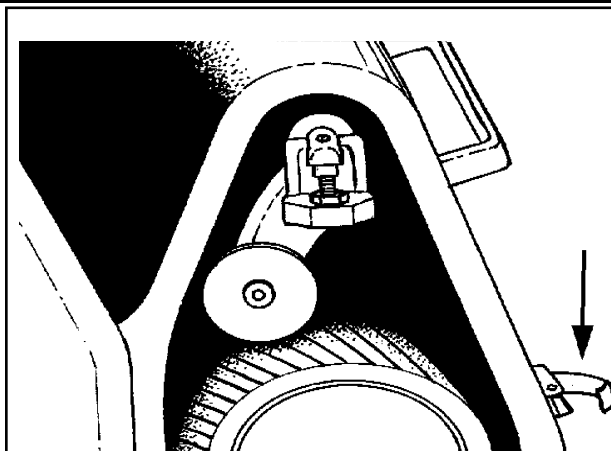





Figura 12


9. En función del modelo, el interruptor de control se encuentra en la manija operativa o en el motor. Verifique que el interruptor de control esté ajustado en "OFF" (Apagado). Vea la marca en el interruptor.
10. Conecte el cable eléctrico. En algunos modelos, la conexión debe girarse en el sentido de las agujas del reloj para que se bloquee.
11. Avance paso a paso (encienda por un momento – operación de prueba) el interruptor de control mientras observa la alineación de la correa. Siga los procedimientos que aparecen en "Procedimientos de ajuste de lijadora" en la página 36 para corregir la alineación de la correa. También hay una etiqueta en la parte interior de la puerta de acceso que describe el ajuste de la correa.
12. Cierre la puerta de acceso. Coloque el extremo del seguro móvil sobre el cerrojo de la puerta de acceso y empuje el seguro móvil contra la unidad principal para asegurar.

Operación de la máquina

 **PELIGRO:** El lijado/acabado de pisos de madera puede crear un entorno explosivo. Los encendedores, las lámparas indicadoras y cualquier otra fuente de ignición pueden provocar una explosión si se activan durante una sesión de lijado. Si es posible, apague o retire por completo todas las fuentes de ignición del área de trabajo.

 **PELIGRO:** Las áreas de trabajo que estén muy poco ventiladas pueden crear un entorno explosivo cuando se encuentran determinados materiales combustibles en la atmósfera: por ejemplo, solventes, diluyentes, alcoholes, combustibles, ciertos acabados, polvo de madera y otros materiales combustibles. Las máquinas de lijado de pisos pueden provocar que los materiales inflamables y los vapores ardan. Lea la etiqueta de fabricante sobre todas las sustancias químicas utilizadas para determinar su combustibilidad. Mantenga el área de trabajo bien ventilada.

 **PELIGRO:** El polvo de lijado puede auto-encenderse, provocando lesiones personales y daños materiales. Extraiga el contenido de la bolsa de polvo cada vez que termine de usar la máquina. Deshágase siempre del polvo en un recipiente de metal ubicado fuera del edificio. Nunca deje la bolsa sin vigilancia cuando haya polvo de lijado en la misma. Vacíe el contenido con frecuencia. No vacíe el contenido de la bolsa de polvo en el fuego.

 **PELIGRO:** Golpear un clavo cuando se lija puede causar chispas y crear una explosión o un incendio. Utilice siempre un martillo y perfore para avellanar todos los clavos antes de lijar los pisos.


Para operar la máquina siga este procedimiento:

1. Antes de lijar, seleccione el mejor método para lijar el área deseada. Si el piso es irregular, puede ser necesario lijar diagonalmente en la dirección de la instalación del piso. Esto ayudará a "sacar" o estirar partes bajas y altas en el piso sobre un área más grande, produciendo una superficie más plana. Los cortes preliminares deben realizarse en ángulos de 15° aproximadamente en la dirección del veteado de la madera. La dirección de corte debe cambiar en cortes sucesivos, con el corte final realizado en la dirección del veteado de la madera. Esto minimizará la tendencia a que se formen ondas y permitirá obtener la superficie de piso más uniforme.


Cuando lije el área, trabaje de una manera tal que usted se esté moviendo en dirección contraria al lugar por el cual el conjunto de cables se introduce en la habitación. Esto ayudará a evitar que el conjunto de cables se enrede y elimine la necesidad de mover el conjunto de cables fuera del recorrido de manera frecuente.

Trabaje en el área de manera que se eviten los puntos de interrupción o finalización (final de la pasada). Realice pasadas largas y continuas.

2. Gire el brazo del cable hacia el lado de la máquina opuesto a la dirección en la que tiene intención de trabajar. Gire el codo de la tubería de polvo hasta que la bolsa de polvo se apoye sobre el motor. Esto mantendrá el equilibrio y la presión de lijado mientras se llena la bolsa de polvo. La máquina debe operarse con la bolsa de polvo en esta posición siempre que sea posible.
3. Si se utiliza la correa operativa (Clarke American Sanders PN 60724A), proceda de la siguiente manera:
 - a. Posicione la correa operativa alrededor de la cintura.
 - b. Cruce las tiras en la cintura. Consulte la figura #13.
 - c. Deslice el extremo del lazo de la correa sobre la manija en el lado de la palanca de control. Ajuste la longitud según sea necesario.
 - d. Envuelva la tira restante alrededor del lado opuesto de la manija y sosténgala en su lugar con su mano.

 **ADVERTENCIA:** Si el operador ha atado o sujetado a la máquina el extremo suelto de la tira de la correa del operador puede llegar a sufrir lesiones graves. Envuelva siempre la tira de manera que la pueda soltar y se pueda liberar rápidamente en caso de que la bolsa se prenda fuego o que se produzca una explosión.

4. Active el interruptor de control.

 **PRECAUCIÓN:** Para evitar daños al piso, asegúrese de que la máquina no está en movimiento cuando la rueda de contacto está engranada con el piso.

5. Comience el trabajo bajando la rueda de contacto a la superficie con la palanca de control mientras la lijadora está en movimiento.

Operación de la máquina

6. Cuando la rueda de contacto esté totalmente engranada con la superficie, ajuste gradualmente su ritmo para eliminar adecuadamente el acabado. Mantenga la lijadora en movimiento mientras la rueda de contacto está engranada con la superficie, ya que en caso contrario quedarán marcas.
7. Mueva la máquina en la dirección del veteado de la madera siempre que sea posible. Lije la superficie a un ritmo constante.
8. Interrumpa el trabajo gradualmente en el punto de terminación elevando la rueda de contacto con la palanca de control. (Consulte la figura 13)
9. Repita la técnica que se muestra en los pasos 5, 6, 7 y 8 y vuelva a lijar en el área recién recorrida. Cuando la haya completado, comience una nueva pasada superponiendo la pasada anterior con la mitad del ancho del abrasivo. Escalone los puntos de terminación para evitar una saliente marcada y conseguir una mejor combinación en el momento de ribetear.
10. Vacíe el contenido de la bolsa de polvo dentro de un recipiente de metal colocado fuera del edificio. La bolsa de polvo debe vaciarse siempre que esté llena, como se indica en la misma.



ADVERTENCIA: No llene en exceso la bolsa de polvo ya que puede provocarse un incendio grave. Nunca deje una bolsa de polvo que contenga polvo sin vigilancia. El polvo de lijado puede auto-encenderse, provocando un incendio o una explosión. Utilice únicamente bolsas de repuesto originales de Clarke American Sanders



PRECAUCIÓN: Una bolsa de polvo que ha sido llenada en exceso puede afectar al equilibrio y el rendimiento de la máquina. No manipule la bolsa de polvo ni el codo mientras esté lijando ya que puede dañar el piso.

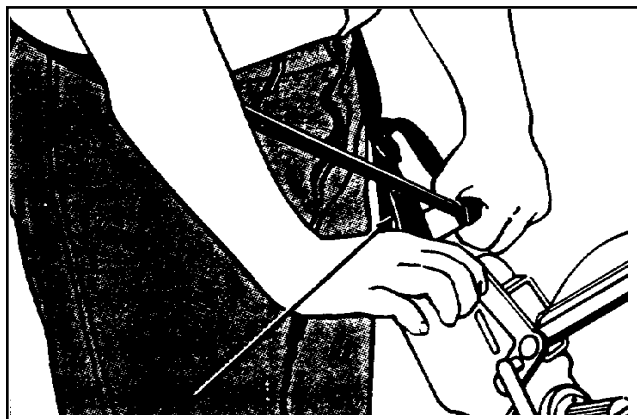


Figura 13

Cortes de lija y papel de lija

Corte inicial

El propósito del corte inicial es sacar el acabado viejo y las imperfecciones mayores de la superficie del piso. El equipo de lijado debe regularse a un ajuste de presión de lijado alta y debe utilizarse una correa abrasiva gruesa. Si la superficie está muy dañada por rayones profundos, marcas preexistentes, tabloncillos desiguales, etc., puede ser necesario lijar horizontalmente o diagonalmente al vetado para restaurar la uniformidad de la superficie. Cuando no se den las condiciones anteriores, el corte inicial debe realizarse en la dirección del vetado de la madera.

Si un corte inicial aparece inmediatamente glaseado, cargado o quemado, seleccione un abrasivo más grueso. Si esto ocurriera durante un corte inicial significa que el abrasivo se ha desgastado y deberá ser reemplazado.

Cortes finales

El propósito de un corte de acabado es eliminar los rayones producidos durante el corte inicial. Utilice un abrasivo de grano fino (60- 80 granos) y un ajuste de presión de lijado reducido.

Si la superficie permanece áspera después de un corte de acabado, puede ser necesario utilizar un abrasivo de grano aún más fino (80 - 100 granos). Se deberá tener cuidado al seleccionar el tamaño del grano del abrasivo. Un grano muy fino cerrará los poros sobre el piso de madera dando lugar a problema de manchas.

Si un corte de acabado apareciera inmediatamente glaseado o quemado, reduzca la presión de lijado. Si esto ocurriera durante un corte final, significa que el abrasivo se ha desafinado y deberá cambiarse.

Correas abrasivas

Nota: Todos los números de pieza listados son para una caja de 10 correas

Uso del	vetado	Aluminio Óxido	Silicona Carburo	Cerámica Óxido de aluminio
16 granos	Para eliminar imperfecciones mayores y restaurar la uniformidad a los pisos viejos. Para eliminar la acumulación de pinturas y barnices.	-	945844	-
36 granos	Para el primer lijado de pisos nuevos (arce, roble). Para eliminar imperfecciones menores y acabados de pisos viejos.	-	945842	945901
40 granos	Para el primer lijado de pisos nuevos (roble, nogal). Para eliminar imperfecciones menores y acabados de pisos viejos.	-	945841	945902
50 granos	Para el primer lijado de pisos nuevos (cedro, pino, abeto) Para limpieza de 16 granos.	-	945840	945903
60 granos	Para limpieza desde el corte inicial 36 – 40 granos.	945839	-	945904
80 granos	Para el lijado final de ciertas maderas duras. Para limpieza de cortes iniciales (50 granos).	945838	-	945905
100 granos	Para lijado final de ciertas maderas duras donde se desea una superficie suave.	945837	-	945909
120 granos	Para el lijado final de ciertas coníferas.	945836	-	945910
150 granos	Para lijado final de ciertas coníferas donde se desea una superficie suave.	945835	-	945911
180 granos	Para el desbaste entre capas de acabado.	945834	-	-

Cómo evitar marcas de vibraciones y ondulaciones

Las máquinas de Clarke Sanders están diseñadas y fabricadas con las tolerancias más estrictas. Sin embargo, después de un corte de acabado, es posible ver marcas de vibraciones y ondulaciones.

La forma más segura para eliminar las marcas de vibraciones es realizar el acabado del piso con una lijadora giratoria horizontal, tal como la lijadora 16 de Clarke.

Para minimizar las marcas de vibraciones cuando se utiliza una lijadora de correa o tambor, deberá seguir los siguientes pasos:

1. **MARCAS DE TAMBOR**...se producen cuando el operador baja el tambor al piso sin desplazarse hacia delante. Estas marcas deben eliminarse cortando en un ángulo de 45 grados respecto a la marca. Cortar en el lugar de la marca mientras se mantiene el mismo recorrido solamente incrementará la profundidad y la anchura de la marca. (Consulte la figura 14)
2. **ESPACIO DE RECORRIDO IRREGULAR**...puede dejar "ondulaciones" prolongadas. La máquina corta más material durante el ritmo más lento. Preste especial atención para mantener un ritmo constante y uniforme.
3. **CORTES LIGEROS EXCESIVOS**...pueden revelar grandes manchas en la rueda de papel/contacto y causar marcas de vibraciones. Tome un corte más pesado e incremente el ritmo.
4. **LOS RESIDUOS**...alojados entre el papel y el tambor, dejarán marcas de vibraciones. En una lijadora de correa, los residuos pueden adherirse al tambor. Asegúrese de que el tambor esté limpio y libre de residuos antes de colocar el papel.
5. **LA CALIDAD DEL ABRASIVO**...puede variar. Las costuras de la correa pueden ser más gruesas en papel de poca calidad y causar marcas de vibraciones. Utilice únicamente papel de lija especificado por Clarke. Almacene el abrasivo de acuerdo con las recomendaciones del fabricante.

EL CUIDADO ADECUADO DE SU MÁQUINA PUEDE MINIMIZAR MARCAS DE VIBRACIONES Y ONDULACIONES.

1. **LAS CORREAS EN V**...pueden causar marcas de vibraciones si son de poca calidad. Utilice únicamente correas especificadas por Clarke.
2. **LAS RUEDAS DE CAMIÓN Y ROLDANAS PIVOTANTES**...con partes planas, sin redondez o con residuos adheridos a su superficie pueden causar efectos vibratorios o ondulatorios. Limpie e inspeccione siempre todas las ruedas antes de comenzar a lijar y antes del corte de acabado. Reemplace o corrija las ruedas en caso de que no presenten redondez. Nunca permita que la lijadora repose sobre superficies duras durante períodos de tiempo prolongados.
3. **LAS ZAPATAS DE RECOLECCIÓN DE POLVO**...pueden necesitar un ajuste especial de acuerdo con los diferentes materiales que se van a lijar. Una zapata que no esté correctamente ajustada dejará residuos en su camino sobre los que pasarán las ruedas, pudiendo provocar "ondas aleatorias".

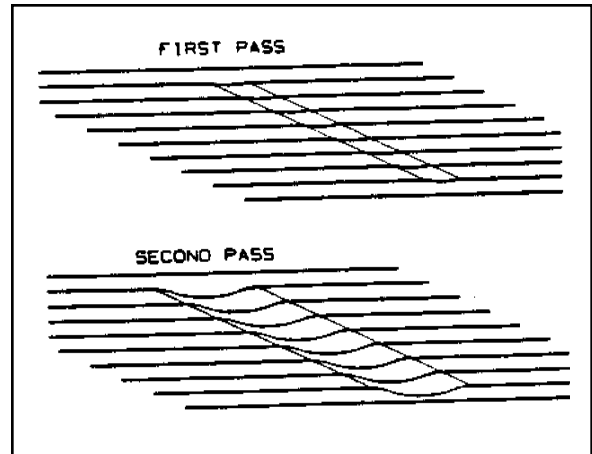


Figura 14

4. **LAS RUEDAS DE CONTACTO (TAMBORES)**...pueden no presentar redondez y causar marcas de vibraciones. Póngase en contacto con su distribuidor de Clarke para solicitar asistencia a la hora de corregir o cambiar el tambor.
5. **LOS COJINETES**...en el motor, el tambor o el sistema de ventilación pueden desgastarse y producir marcas de vibraciones.
6. **LAS POLEAS**...que estén dañadas o desgastadas en exceso pueden producir marcas de vibraciones. Póngase en contacto con un distribuidor de Clarke para obtener asistencia.
7. **La TENSIÓN DEL PAPEL DE LIJA**...debe liberarse siempre cuando la máquina permanezca apagada durante 10 minutos o un período más prolongado para evitar la compresión del tambor.

NOTA: Clarke no es responsable del trabajo de reparación de los pisos que sean inaceptables al cliente. Es su responsabilidad asegurarse de que su equipo esté en buenas condiciones operativas y de que usted utiliza la máquina adecuada para realizar el trabajo.

Procedimientos de ajuste de la lijadora



PELIGRO:

Puede producirse electrocución si se realizan mantenimiento y reparaciones en una unidad que no esté adecuadamente desconectada de la fuente de alimentación. Desconecte el suministro de alimentación antes de intentar tareas de mantenimiento y reparación.



PELIGRO:

Las partes móviles de esta máquina pueden causar lesiones serias o daños materiales. Mantenga las manos, los pies y la vestimenta suelta alejados de todas las partes móviles de la lijadora.

La siguiente información proporciona los detalles sobre cómo ajustar las diferentes funciones y controles de la lijadora.

Zapata para el polvo

Para ajustar la zapata para el polvo siga este procedimiento:

1. Desconecte la máquina del suministro eléctrico.
2. Afloje los tres tornillos que sujetan la zapata para el polvo al chasis.
3. Ajuste la zapata para el polvo para reducir los huelgos.
4. Ajuste la zapata para el polvo para incrementar los huelgos.
5. Alinee la zapata para el polvo con el chasis y apriete los tornillos. (Consulte la figura 15)

Presión de lijado

Hay tres ajustes de presión para seleccionar: alta, media y ligera. Cuanto más baja sea la posición, más alto será el ajuste. Para cambiar los ajustes, eleve la palanca y colóquela en la posición deseada. (Consulte la figura 16)

Nivelación del tambor



PRECAUCIÓN: La alineación de la correa puede verse afectada de manera adversa si la máquina se opera sin nivelar.

La máquina se nivela en fábrica y no se necesitan ajustes adicionales. Después de cualquier trabajo de mantenimiento en el sistema de transporte, el indicador en la ménsula de nivelación debe volver a la marca original (Consulte la figura 17)

Si es necesario reajustar la nivelación después de cambiar las ruedas, siga este procedimiento:

1. Baje la rueda de contacto al nivel del piso.

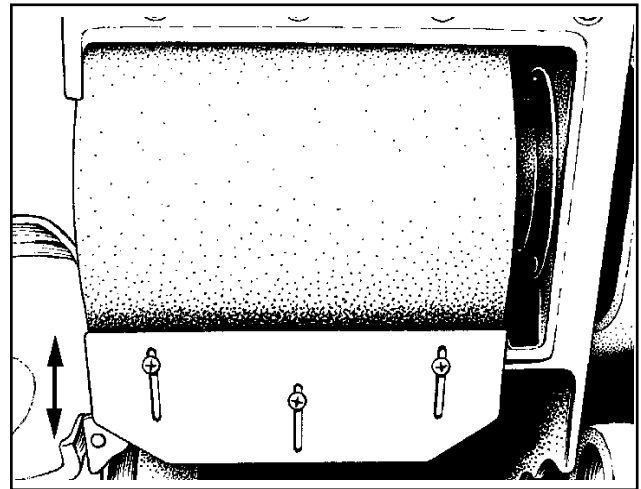


Figura 15

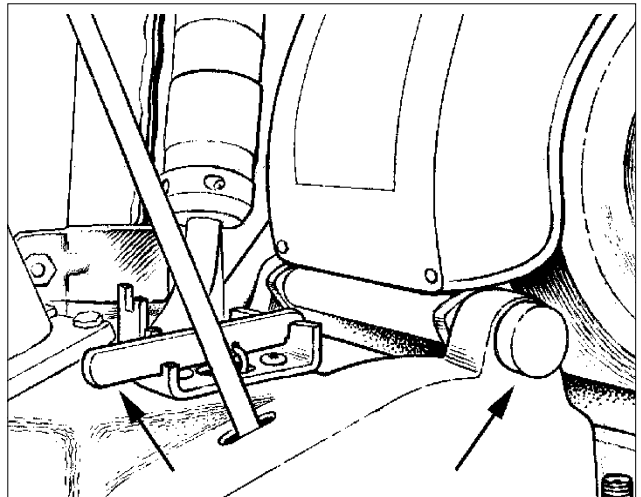


Figura 16

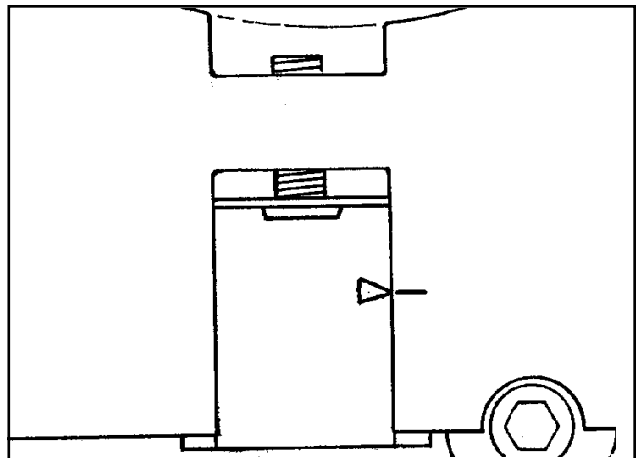


Figura 17

Procedimientos de ajuste de la lijadora

2. **Introduzca** el tornillo de fijación para lijar con más presión sobre la izquierda (el lado de la correa de transmisión). **Saque** el tornillo de fijación para lijar con más presión sobre la derecha (el lado opuesto a la correa de transmisión). Pruebe el ajuste sobre una superficie uniforme. Si es necesario, realice los ajustes correspondientes.
3. Marque la nueva ubicación del indicador en la unidad principal

Alineación de la correa

NOTA: La correa de lijado debe correr uniformemente sobre la cara de la rueda de contacto. Para esto, el borde exterior de dicha correa debe estar a 0,09 pulgadas (2 mm) hacia afuera del extremo de la rueda de contacto. Esto ofrece una transición óptima entre las "pasadas".

⚠ ADVERTENCIA: El operador podría resultar lesionado si se ajusta la máquina cuando el motor está funcionando. No intente realizar ningún ajuste mientras la máquina esté conectada o en funcionamiento.

Para ajustar la alineación de la correa siga este procedimiento:

1. Localice el tornillo de regulación de alineación de la correa. (Consulte la figura 18A)
2. Sostenga el tornillo de regulación de alineación de la correa y afloje la tuerca de seguridad. (Consulte la figura 18B).
3. Gire el tornillo de regulación de alineación en sentido contrario a las agujas del reloj para mover la correa hacia adentro.
4. Gire el tornillo de regulación de alineación en el sentido de las agujas del reloj para mover la correa hacia afuera.
5. Pruebe el ajuste y apriete la tuerca de seguridad.

Control de funcionamiento

Para **incrementar** el recorrido o aumentar el alcance del mango de control, siga este procedimiento:

1. Afloje la tuerca de seguridad en la varilla de control. (Consulte la figura 19A)
2. Atornille el regulador de la varilla de control (consulte la figura 19B) hacia la posición "In" hasta que se logre el alcance deseado.
3. Apriete la tuerca de seguridad.

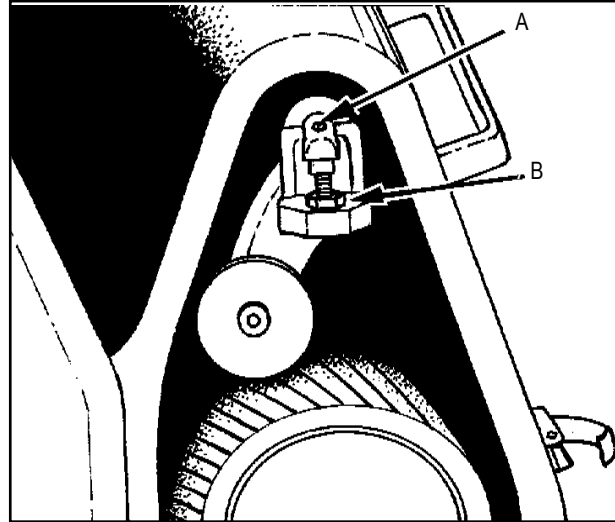


Figura 18

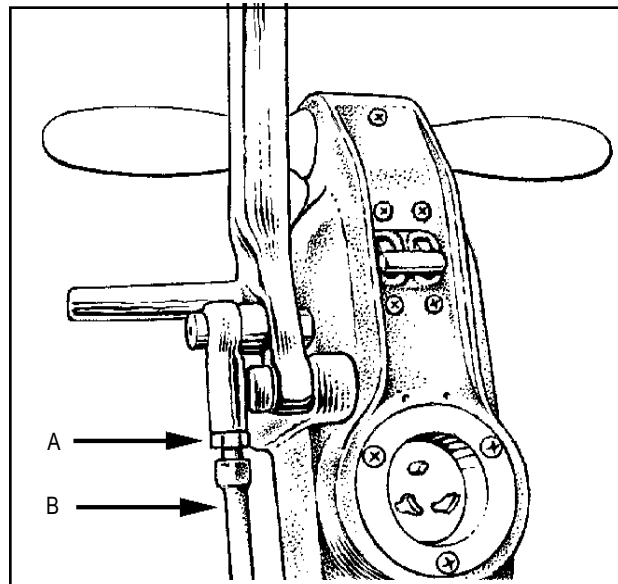


Figura 19

Procedimientos de ajuste de la lijadora

Para **disminuir** el recorrido o reducir el alcance del mango de control, siga este procedimiento:

1. Afloje la tuerca de seguridad en la varilla de control. (Consulte la figura 20A)
2. Atornille el regulador de la varilla de control hacia la posición "out" hasta que se logre el alcance deseado.
3. Apriete la tuerca de seguridad.

Mantenimiento de rutina

Los siguientes elementos deben inspeccionarse y realizárseles el mantenimiento de manera periódica para mantener su lijadora en buenas condiciones operativas.

Cámara de lijado

Inyecte aire periódicamente en la cámara de lijado para evitar grandes acumulaciones de residuos que podrían interferir con el rendimiento del rodillo de tensión.

Ruedas

Extraiga periódicamente los residuos de las ruedas del camión y las roldanas pivotantes. Los residuos pueden causar ondulaciones sobre la superficie lijada.

Bolsa de polvo

Extraiga la bolsa de polvo de la máquina y sacúdala muy bien para extraer el polvo de lijado de la bolsa de polvo. Dé vuelta a la bolsa de polvo y lávela a máquina en agua fría para evitar que se bloqueen los poros y que pierda su capacidad de recolectar polvo.

Correa de transmisión

La tensión de la correa de transmisión se ajusta en fábrica y no requiere ningún ajuste adicional. Verifique periódicamente la tensión de la correa de transmisión. La tensión adecuada de la correa se logra cuando 10 lb de fuerza en la mitad del ancho de la correa producen $\frac{1}{2}$ pulgada de deflexión.

Para incrementar la tensión de la correa, libere la tensión utilizando la palanca de liberación rápida (Consulte la figura 6).

Gire el tornillo de ajuste a la posición "OUT" (consulte la figura 21) un cuarto de giro. Restablezca la tensión utilizando la palanca de liberación rápida y verifique el ajuste. Repita este proceso si es necesario. Para disminuir la tensión, el tornillo de ajuste se gira a la posición "IN".

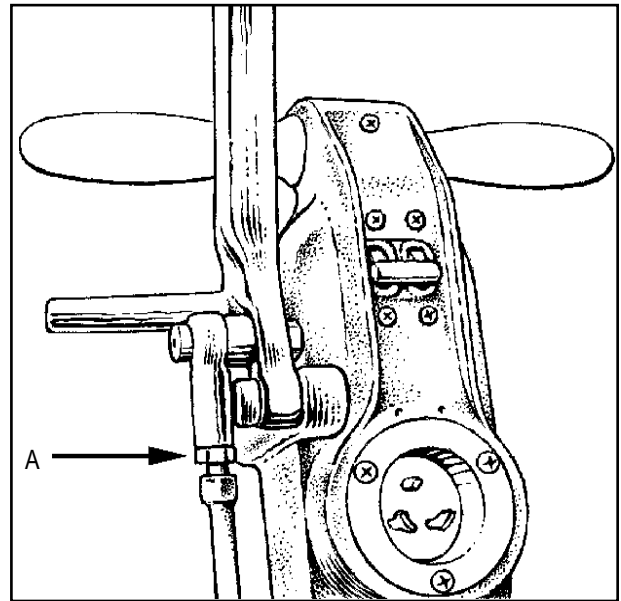


Figura 20

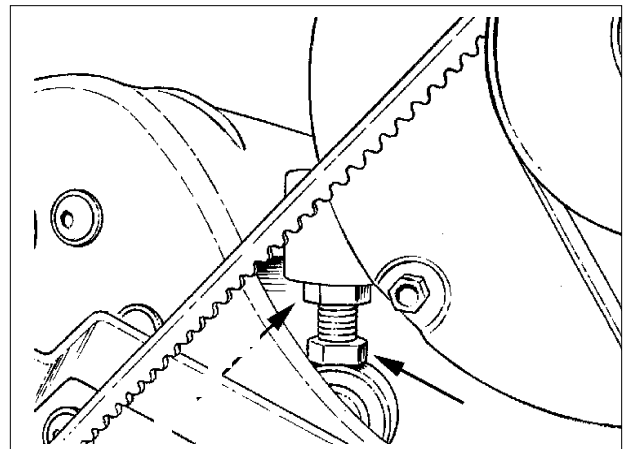


Figura 21

Mantenimiento de rutina**Cojinetes**

Verifique periódicamente los cojinetes en busca de desgaste o daños de acuerdo con el siguiente programa:

<i>Rodillos guía</i>	después de las primeras 650 horas.
<i>Polea loca</i>	después de las primeras 1500 horas.
<i>Eje de ventilador</i>	después de las primeras 2500 horas.
<i>Rodillo de tensión</i>	después de las primeras 2500 horas.
<i>Eje de husillo</i>	después de las primeras 5000 horas.
<i>Eje de motor</i>	después de las primeras 5000 horas.

Rodillos

Verifique periódicamente los rodillos guía y el rodillo de tensión en busca de desgaste.

Resolución de problemas

Problema	Causa	Acción
Las correas de transmisión (chillido o chirrido)	La tensión es insuficiente. Correas desgastadas.	Aplice tensión a la correa de se deslizan. transmisión como se describe en los procedimientos de ajuste. Cambie las correas.
Crujido, bramido o chirrido proveniente de la máquina.	El cojinete está dañado o desgastado	Extraiga las correas de transmisión rote el husillo motor, ventilador, ejes y polea loca para localizar el cojinete con arrastre o defectuoso. Póngase en contacto con un distribuidor autorizado.
La recolección de polvo es deficiente.	La bolsa de polvo está llena. La bolsa de polvo está sucia. La zapata para el polvo está el polvo. El canal del polvo está obstruido.	Vacíe el contenido de la bolsa. Extraiga los residuos de la bolsa agitándola y lave. Vuelva a ajustar la zapata para mal ajustada. Extraiga la tapa del ventilador y despeje la garganta.
El motor no arranca.	El arrancador del motor es defectuoso. El capacitor de arranque es defectuoso. El interruptor de arranque electrónico es defectuoso Tensión baja debido a una conexión deficiente. El motor es defectuoso. No hay potencia. Disyuntor disparado.	Póngase en contacto con un distribuidor autorizado. Póngase en contacto con un distribuidor autorizado. Póngase en contacto con un distribuidor autorizado. Póngase en contacto con un distribuidor autorizado. Póngase en contacto con un distribuidor autorizado. Verifique la fuente eléctrica y las conexiones. Restaure
El motor funciona con lentitud.	Tensión baja debido a metraje excesivo, alargador corto Disminuya la presión de lijado. o conexión deficiente. El capacitor es defectuoso. El motor es defectuoso.	Localice la fuente eléctrica más cercana al lugar de trabajo. Póngase en contacto con un distribuidor autorizado. Póngase en contacto con un distribuidor autorizado.
El disyuntor del motor se repetidas veces.	Carga excesiva. El interruptor de arranque electrónico es defectuoso. El arrancador del motor es defectuoso. Tensión baja debido a una conexión deficiente. El motor es defectuoso. El capacitor es defectuoso.	Póngase en contacto con un distribuidor dispara/se dispara autorizado. Póngase en contacto con un distribuidor autorizado. Póngase en contacto con un distribuidor autorizado. Póngase en contacto con un distribuidor autorizado. Póngase en contacto con un distribuidor autorizado.
Cortes irregulares.	La nivelación está mal ajustada. Alineación de correa abrasiva.	Reajuste la nivelación. Ajuste la correa para alinearla hacia el borde del tambor con un corte más profundo.

Resolución de problemas

Problema	Causa	Acción
Quemado o glaseado.	El abrasivo está desgastado. La presión de lijado es excesiva. La correa abrasiva es demasiado fina.	Cambie el abrasivo. Disminuya la presión de lijado. (Fig. 16, página 35). Utilice un abrasivo más grueso.
Los cortes son lentos.	El abrasivo está desgastado. La correa abrasiva es demasiado fina. La presión de lijado es insuficiente.	Cambie el abrasivo. Utilice una correa abrasiva más gruesa. Incremente la presión de lijado. (Fig. 16, página 35).
Ondas sobre la superficie lijada.	Presencia de residuos en las ruedas. Neumáticos desinflados.	Retire y limpie las ruedas. Cambie los neumáticos.
Marcas de vibración sobre la superficie lijada. (Fluctuaciones espaciadas regularmente)	Consulte la sección "Cómo evitar marcas de vibraciones y ondulaciones", página 34.	Consulte la sección "Cómo evitar marcas de vibraciones y ondulaciones", página 34
Dificultad para liberar la tensión del mecanismo.	Los residuos interfieren con la palanca El manguito del cojinete está desgastado. Varillaje desgastado.	Inyecte aire en la cámara de lijado. Extraiga y desensamble el mecanismo. Limpie. Reemplace. Lubrique con WD-40.
La correa abrasiva "busca" su posición.	El manguito del cojinete está desgastado. Bordes gruesos en la rueda de contacto.	Verifique en busca de juego excesivo, reemplace. Póngase en contacto con un distribuidor autorizado o reemplace la rueda de contacto.
La correa abrasiva no está alineada. La correa abrasiva presenta desgaste en toda su longitud.	Diferencia importante en la longitud lateral de la correa. Borde grueso en la rueda de contacto. Se han acumulado residuos en el rodillo de tensión (parte superior).	Reemplace la correa abrasiva. Verifique las diferentes correas abrasivas. Póngase en contacto con un distribuidor autorizado o reemplace la rueda de contacto. Limpie el rodillo de tensión.

LISEZ CE MANUEL

Ce Manuel contient des informations importantes concernant l'utilisation et le fonctionnement de cette machine dans des conditions de sécurité optimales. La non-lecture de ce manuel avant d'utiliser ou d'entretenir votre machine Clarke American Sanders risque de provoquer un accident ou d'endommager la machine ou son environnement. Vous devez avoir été formé à l'utilisation de cette machine avant de l'utiliser. Si l'opérateur n'est pas en mesure de lire ce Manuel, il devra se le faire expliquer entièrement avant de tenter d'utiliser cette machine.




Toutes les directions données dans ce Manuel le sont par rapport à la position de l'opérateur, à l'arrière de la machine.

Consignes de sécurité destinées à l'opérateur.....	43
Introduction et caractéristiques de l'appareil.....	45
Directives pour connexion électrique de 230 volts.....	46
Transport de l'appareil.....	47
À une personne.....	48
À deux personnes.....	49
Assemblage de l'appareil.....	49
Fonctionnement de l'appareil.....	51
Ponçage et papier abrasif.....	53
Prévention des marques transversales de vibration.....	54
Procédures de réglage de la ponceuse.....	55
Patin à poussière.....	55
Pression de ponçage.....	55
Nivellement du tambour.....	55
Alignement de la courroie.....	56
Commandes.....	56
Entretien de routine.....	57
Chambre de ponçage.....	57
Roues.....	57
Sac de dépoussiérage.....	57
Courroie d'entraînement.....	57
Roulements.....	58
Galets de guidage.....	58
Dépannage.....	59

Section II, manuel de réparation et schémas de pièces

Principal dessin d'assemblage no. 1.....	62
Principale liste des pièces d'assemblage no. 1.....	63
Dessin d'assemblage de la poignée de commande no. 2.....	64
Pièces d'assemblage de la poignée de commande no. 2.....	65
Dessin d'assemblage du tambour et des roues type camion no. 3.....	66
Pièces d'assemblage du tambour et des roues type camion no. 3.....	67
Dessin d'assemblage de la commande de tension de la courroie no. 4.....	68
Liste des pièces d'assemblage de la commande de tension de la courroie no. 4.....	69
Dessin et liste des pièces du charriot (diable) no. 5.....	70
Liste des pièces et assemblage moteur no. 6.....	71
Schéma de câblage.....	72

CONSIGNES DE SECURITE DESTINEES A L'OPERATEUR

-  **DANGER** signifie: De graves blessures corporelles, voire la mort, peuvent survenir si les déclarations **DANGER** apposées sur l'appareil ou inscrites dans le Manuel de l'utilisateur sont ignorées ou ne sont pas suivies. Lisez et respectez toutes les consignes **DANGER** se trouvant dans le Manuel de l'utilisateur et sur l'appareil.
-  **AVERTISSEMENT** signifie: Des blessures corporelles peuvent survenir si les **MISES EN GARDES** apposées sur l'appareil ou inscrites dans le Manuel de l'utilisateur sont ignorées ou ne sont pas suivies. Lisez et respectez toutes les **AVERTISSEMENTS** inscrits dans le Manuel de l'utilisateur et apposés sur l'appareil.
-  **MISE EN GARDE** signifie: Il y a risque de dommages à l'appareil ou à la propriété si les **MISES EN GARDES** apposées sur l'appareil ou inscrites dans le Manuel de l'utilisateur sont ignorées ou ne sont pas suivies. Lisez et respectez toutes les **MISES EN GARDE** se trouvant dans le Manuel de l'utilisateur et apposées sur l'appareil.

 **DANGER:**



À défaut de lire le Manuel de l'utilisateur avant l'utilisation ou l'entretien de cet appareil de ponçage peut provoquer des blessures corporelles à l'opérateur ou toute autre personne et endommager l'appareil. Lisez et respectez toutes les consignes de sécurité décrites dans ce Manuel et apposées sur l'appareil de ponçage. Assurez-vous que tous les autocollants, décalcomanies, avertissements, mises en garde et directives sont apposés sur l'appareil. Remplacez tous ceux endommagés ou manquants. Vous devez avoir été formé à l'utilisation de cette appareil avant de l'utiliser. **Si l'opérateur est incapable de lire ce manuel, le faire expliquer dans son intégralité avant qu'il essaie d'utiliser cet appareil.**

 **DANGER:**



Le ponçage/la finition des planchers de bois peut créer un environnement déflagrant. Veuillez suivre les procédures de sécurité suivantes:

- Les briquets, les flammes pilote et toute autre source d'inflammation peuvent provoquer une explosion si actionnés au cours d'un ponçage. Toutes sources d'inflammation devraient être éteintes ou retirées entièrement, si possible, de la zone de travail.
- Les zones de travail peu aérées peuvent se transformer en un environnement déflagrant lorsque certains matériaux combustibles sont présents dans l'atmosphère notamment les solvants, diluants, alcool, combustibles, certains finis, poussières de bois et autres matériaux combustibles. Les appareils de ponçage de plancher peuvent inflammer le matériel et les vapeurs. Bien lire l'étiquette du fabricant sur tous les produits chimiques pour évaluer la combustibilité. Veillez à ce que la zone de travail soit bien aérée.
- La combustion spontanée ou une explosion est possible lors de travaux avec poussière de ponçage. La poussière de ponçage peut s'inflammer elle-même et provoquer des blessures ou des dommages. Veillez éliminer adéquatement la poussière de ponçage. Videz toujours la poussière de ponçage dans un contenant en métal situé à l'extérieur de tout(tous) édifice(s).
- Videz le sac de dépoussiérage lorsqu'il est plein au tiers de sa capacité. Videz le contenu du sac de dépoussiérage à chaque fois que vous avez terminé avec l'appareil. Ne laissez jamais un sac de dépoussiérage sans surveillance avec de la poussière de bois.
- Ne jetez pas le contenu du sac de dépoussiérage dans un feu.
- En cours de ponçage, il est possible de provoquer une étincelle en heurtant un clou et ainsi, provoquer une explosion ou un incendie. Utilisez toujours un marteau et un poinçon pour fraisurer tous clous avant de sabler/poncer un plancher.

**DANGER:**

Le fonctionnement d'un appareil de ponçage partiellement assemblé peut blesser l'opérateur ou une personne à proximité et provoquer des dommages à l'appareil ou à la propriété d'autrui.

- N'utilisez pas cet appareil jusqu'à ce qu'il soit entièrement assemblé avec tous les dispositifs de protections, portes et couvercles solidement fixés.
- Veillez à ce que tous les dispositifs de fixation soient serrés.
- Suivez toutes les spécifications de réglage du fabricant.

**DANGER:**

les pièces mobiles de cet appareil de ponçage peut blesser l'opérateur ou une personne à proximité.



- Tenez les mains, pieds et vêtements amples loin de toutes pièces mobiles.
- Ne changez pas ou n'ajustez pas le papier abrasif alors que l'appareil de ponçage est en fonctionnement.
- N'effectuez pas l'entretien de l'appareil de ponçage en cours de fonctionnement.

**DANGER:**

Cet appareil de ponçage exige une source d'alimentation électrique. Une utilisation inadéquate pourrait provoquer un choc électrique ou une électrocution ou un incendie.



- Branchez l'appareil uniquement à une source d'alimentation qui correspond aux indications de la plaque signalétique.
- Utilisez cet appareil de ponçage uniquement sur un circuit électrique mis à la terre. Consultez un électricien si vous croyez que le circuit n'est pas correctement mis à la terre.
- N'utilisez pas cet appareil de ponçage avec un cordon d'alimentation endommagé. Inspectez l'appareil avant chaque usage.
- Ne heurtez pas le cordon d'alimentation avec le papier abrasif. Soulevez toujours le cordon d'alimentation au-dessus de l'appareil de ponçage.
- N'utilisez pas le cordon d'alimentation pour déplacer l'appareil de ponçage.
- Débranchez de la source d'alimentation avant d'effectuer une réparation ou un entretien sur cet appareil.

**AVERTISSEMENT:**

Dans le cas d'un sac de dépoussiérage en feu, l'opérateur peut se blesser s'il est attaché ou relié à l'appareil avec une sangle. Utilisez correctement la ceinture de travail (suivez la procédure à la page 11).

**AVERTISSEMENT:**

L'opérateur, ou toute personne à proximité, doit porter une tenue de protection en cours de ponçage pour prévenir les blessures. Utilisez toujours une protection oculaire et auditive ainsi qu'un appareil respiratoire lors de tout ponçage/sablage.

**AVERTISSEMENT:**

Il y a risque potentiel de blessures corporelles si l'appareil est mis sous tension avec l'interrupteur déjà en position de marche (ON). Assurez-vous toujours que l'interrupteur soit en position d'arrêt (OFF) avant de mettre l'appareil sous tension.

**MISE EN GARDE :**

Les opérations de maintenance et les réparations effectuées par des techniciens non agréés risquent d'entraîner des dommages ou des blessures corporelles. Les opérations de maintenance et les réparations effectuées par des techniciens non agréés annuleront votre garantie. Dirigez-vous toujours à un distributeur agréé Clarke American Sanders pour toutes réparations de cet appareil.

**MISE EN GARDE:**

L'utilisation de cet appareil pour déplacer ou monter sur des objets peut provoquer un accident ou entraîner des dégâts matériels. Ne pas utiliser cet appareil comme marchepied ou comme meuble. Ne montez pas sur cet appareil.

**MISE EN GARDE :**

Il y a risque d'endommager l'appareil si celui-ci n'est pas entreposé dans un bâtiment à l'abri de l'humidité. Rangez l'appareil dans un établissement à l'abri de l'humidité.

**MISE EN GARDE :**

Cet appareil est lourd. Pour le transport de l'appareil, déposez le moteur. Demandez de l'aide pour soulever l'appareil et le moteur.

**MISE EN GARDE :**

Il y a risque de dommages graves au plancher si l'appareil de ponçage fonctionne en continu au même endroit avec le tambour de ponçage directement sur le plancher. Pour empêcher tout dommage au plancher, poncer légèrement à un régime de ponçage normal. Ne vous arrêtez pas lors de la levée ou de l'abaissement du tambour. Poncez ou sablez toujours à un régime constant.

Introduction et caractéristiques de l'appareil

MODÈLE	07104A	07111A	07117A	
Alimentation	230~, 60Hz 15,7A, 3,7 kW	230~, 50Hz 11,8 A, 3,0 kW	230~, 50Hz 12,0 A, 3,0 kW	230~, 50Hz 12,0 A, 3,0 kW
Émission sonore (Lpm)	93,0 dB (A)	96,2 dB(A)	96,2 dB(A)	96,2 dB(A)
Vibration	<.15 in/s	2.88 m/s ² rms	2.88 m/s ² rms	2.88 m/s ² rms
Moteur	à induction de 4 CV	à induction de 2,2 kW	à induction de 2,2 kW	à induction de 2,2 kW
Régime du tambour	2450 t/min.	2042 t/min	2042 t/min	2042 t/min
Régime avec abrasif	4500 pi/min	3750 t/min	1143 t/min	1143 t/min
Dimension de l'abrasif	29 ¹ / ₂ " x 7 ¹ / ₈ "	74,3 cm x 17,8 cm (29 ¹ / ₂ " x 7 ¹ / ₈ "	750 mm x 200 mm	750 mm x 200 mm
Débit du ventilateur	234 pi ³ /min	195 pi ³ /min	92 litres /sec	92 litres /sec
Réglages du tambour	80 lbs, 70 lbs, 60 lbs	80 lbs, 70 lbs, 60 lbs	36 kg, 32 kg, 27 kg	36 kg, 32 kg, 27 kg
Protection pour surcharge	Circuit magnétique Disjoncteur	Circuit magnétique Disjoncteur	Fusible de 13 A	Circuit thermique Disjoncteur
Câblage électrique	15,3 m (50 pi , 10-3-SJO Fiche LP-20P	30,5 m (100 pi) 12-3SJO Fiche AU2-15	15m HO7RN 3 x 1.5mm ² Fiche UK1-13P	IEC309 16A-6H Entrée et connecteur
Commandes opérationnelles	Levier/poignée ajustables	Levier/poignée ajustables	Levier/poignée ajustables	Levier/poignée ajustables
Commandes de nivellement	Réglage externe	Réglage externe	Réglage externe	Réglage externe
Roues	80 au duromètre en uréthane transparent	80 au duromètre en uréthane transparent	80 au duromètre en uréthane transparent	80 au duromètre en uréthane transparent
Poids	204 lbs.	204 lbs.	94 kg	93 kg
Dimensions	35 x 13 ³ / ₄ x 38 ³ / ₄	35 x 13 ³ / ₄ x 38 ³ / ₄	89cm x 35cm x 98cm	89cm x 35cm x 98cm



MISE EN GARDE: Parfois, votre appareil n'est pas adéquat pour certaines installations. Certains planchers de bois plus mou ne supportent pas la pression créée par des roues dures.

Consultez toujours le fabricant de plancher à propos de la bonne méthode d'installation, de préparation et de fini de leur produit. Déterminez la pertinence de votre appareil pour la préparation du produit.

Directives pour connexion électrique de 230 volts

⚠ MISE EN GARDE: Cet appareil ne fonctionnera qu'avec du courant alternatif et à la tension indiquée sur la plaque signalétique de celui-ci. Assurez-vous que la prise fournit justement la bonne fréquence et tension avant de brancher le cordon d'alimentation. Voir l'exemple à la figure 1.

Cet appareil doit être relié à une alimentation qui possède un conducteur de mise à la terre afin de protéger l'opérateur de tout choc électrique. Cet appareil dispose d'un cordon d'alimentation avec trois fils de même que d'une fiche avec trois bornes. Branchez la fiche dans un réceptacle correspondant.

⚠ DANGER: Risque d'électrocution si l'appareil est exposé à l'eau ou à la pluie. Tenez l'appareil dans un établissement à l'abri de l'humidité.

⚠ DANGER: Risque d'électrocution si l'appareil n'est pas branché à une alimentation ayant une broche mise à la terre. Pour empêcher un choc électrique potentiel, utilisez un cordon d'alimentation ayant un fil de mise à la terre et branchez-le à une alimentation correspondante. Pour maximiser la protection contre le risque de choc électrique, utilisez un circuit qui est protégé par un disjoncteur de fuite de terre. Consultez votre entrepreneur en électricité.

⚠ DANGER: Une électrocution peut se produire si l'appareil est utilisé avec un cordon d'alimentation ou une fiche endommagés. Si les cordons ou les fiches sont usés ou endommagés d'une façon ou d'une autre, faites les remplacer par un technicien ou un électricien agréés.

Rallonges

Utilisez seulement une rallonge homologuée à trois broches : une fiche bipolaire avec terre. Cet appareil est doté d'un cordon d'alimentation. Lorsque vous avez besoin d'une plus grande portée, utilisez le tableau ci-dessous pour déterminer le calibre du câble pour un métrage supplémentaire. Consultez le tableau à droite pour des renseignements concernant la rallonge.

Si le moteur semble forcer ou prend plus de temps pour atteindre son régime, réduisez la pression du ponçage.

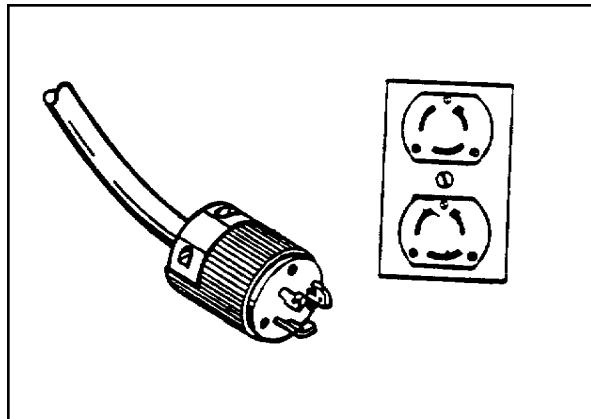


Figure 1

Source de la tension	0 - 100'	100 - 250'
208	6	Pieds/Calibre du câble (fil torsadé en cuivre)
230	10	8

Transport de l'appareil

- ⚠ AVERTISSEMENT:** l'appareil est lourd. Déposez le moteur de l'appareil avant le transport. Demandez de l'aide pour charger l'appareil et le moteur. Utilisez les techniques de levage appropriées.

Transport de l'appareil : utilisation du charriot (diable)

- ⚠ MISE EN GARDE :** Lors de l'utilisation du charriot (diable), le tambour contactera le plancher ou la surface sur laquelle l'appareil repose. Évitez le contact avec une surface qui pourraient endommager ou contaminer le tambour.

- ⚠ MISE EN GARDE:** Au cours du transport à l'aide du charriot (diable), un brusque changement de direction ou de surface pourrait provoquer un basculement de l'appareil. De plus, l'appareil est plus susceptible de basculer si transporté sur une surface inclinée.

Attachez le charriot (diable) à l'arrière de l'appareil de la façon suivante :

1. Ouvrez les leviers (2A) de blocage rapide et dévissez les écrous de réglages (2B) pour permettre l'installation du charriot. (Voir figure 2)
2. Insérez les goujons à déclenchement rapide dans les supports du charriot (diable) et serrez immédiatement les écrous de réglage jusqu'à ce que le mécanisme du charriot bouge à peine.

Insérez le charriot (diable) sous l'appareil de la façon suivante :

1. Avec le mécanisme du charriot (diable) en place conforme à la description ci-dessus, basculez l'appareil en soulevant la poignée de l'opérateur vers le haut et l'avant pour soulever du plancher/sol l'arrière de l'appareil pour permettre au charriot (diable) de glisser sous celui-ci. (Voir figure 3)
2. Tenez le charriot (diable) en position avec votre pieds et basculez l'appareil en place pour qu'il repose sur le charriot (diable). (Voir figure 4)
3. Laissez l'appareil reposer sur ces quatre roues et enclenchez les leviers à blocage rapide pour le transport. Certains ajustements des goujons à déclenchement rapide pourraient s'avérer nécessaire afin de serrer solidement les leviers en place.

Retrait/Rangement du charriot

Le charriot (diable) peut se ranger sur l'appareil en position "verticale" ou être retiré et ranger séparément.

1. Ouvrez les leviers à blocage rapide pour relâcher le charriot.
2. Soulevez la poignée de l'opérateur pour basculer l'appareil vers l'avant.
3. Dégagez le charriot (diable) et abaissez l'appareil jusqu'à ce qu'il repose sur ces propres roues.

- ⚠ MISE EN GARDE :** Soyez prudent lorsque vous abaissez l'appareil. Le charriot basculera brusquement en direction de l'opérateur dès que l'appareil est abaissé.

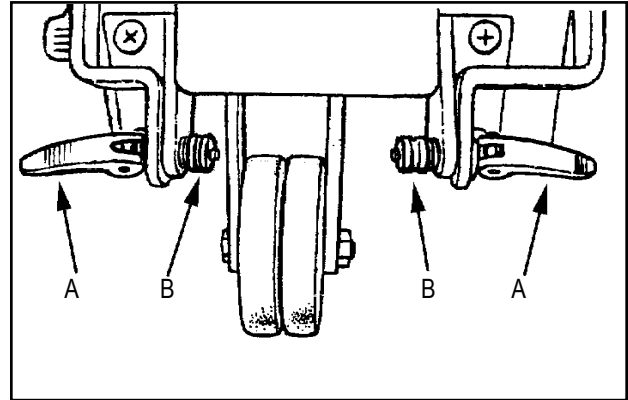


Figure 2

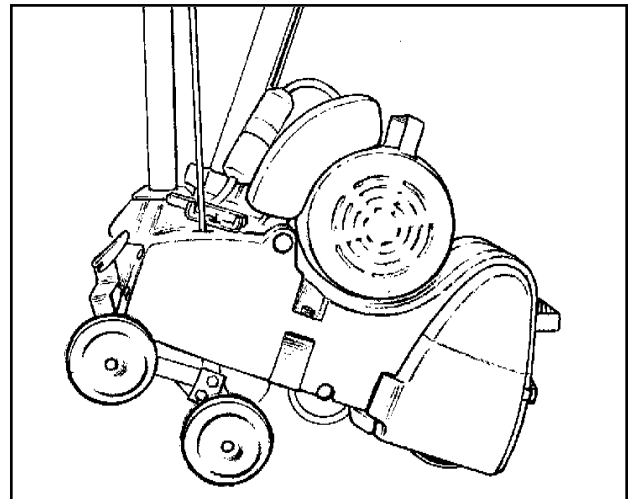


Figure 3

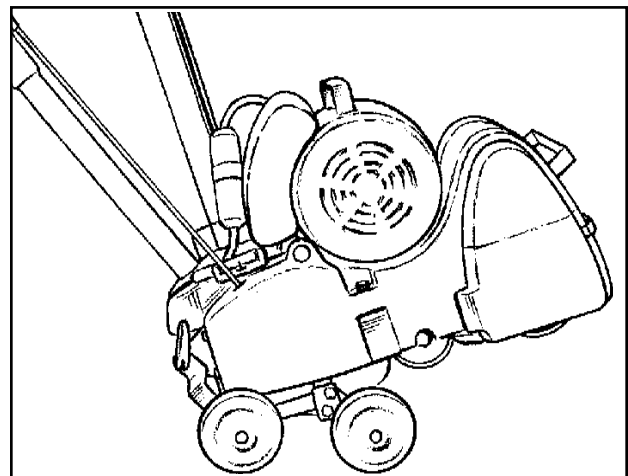


Figure 4

Transport de l'appareil

4. Pour ranger le charriot (diable) en position verticale, placez le charriot (diable) contre la partie supérieure du cadre principal aussi loin que possible et refermez les leviers à blocage rapide pour bien le fixer en place. (Voir figure 5)
5. Pour dégager le charriot (diable), desserrez les écrous de réglage à déclenchement rapide jusqu'à ce que les leviers et écrous se dégagent des trous pour tête noyée des supports du charriot (diable) puis retirez le charriot (diable).
6. Serrez les écrous de réglage jusqu'à ce que les leviers à blocage rapide se ferme pour bien fixer le charriot (diable) en place.

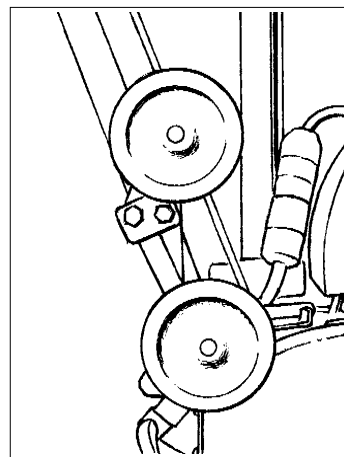


Figure 5

Transport de l'appareil : une personne

REMARQUE: Ce transport est effectué en déposant le moteur du châssis et en transportant les deux modules séparément.

Suivez la procédure ci-dessous pour transporter l'appareil :

1. Assurez-vous que le cordon d'alimentation est débranché de la prise.
2. Relâchez la tension des courroies d'entraînement à l'aide du levier à blocage rapide. (Voir figure 6A)
3. Ouvrez le protège-courroie en tirant sur la poignée immédiatement au-dessus de la roue gauche du camion. (Voir figure 6B)
4. Déposez les courroies d'entraînement de l'appareil.
5. Débranchez la spirale de raccord du moteur du raccord de la poignée si l'appareil en est doté (voir figure 7).
6. Dévissez les boutons de montage du moteur pour desserrer le moteur. (Voir figure 8)
7. Passez une jambe au-dessus du moteur et prenez la poignée de levée du moteur. À l'aide de vos jambes, soulevez le moteur hors du châssis et transportez-le sur le lieu de travail.
8. Soulevez le châssis en prenant les poignées arrière et avant. Soulevez le cadre et serrez le protège-courroie contre votre poitrine. Transportez le châssis au lieu de travail.

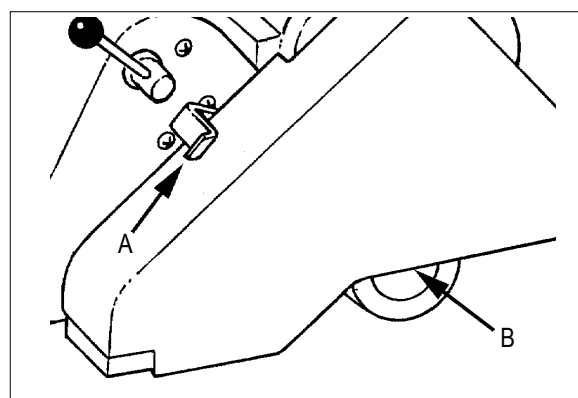


Figure 6

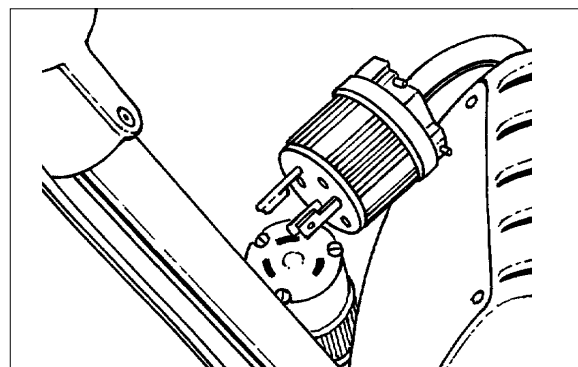


Figure 7

Suivez la procédure suivante pour assembler l'appareil après le transport:

1. Ouvrez la porte du protège-courroie. Placez le module moteur sur le châssis et vissez les boutons de montage du moteur suffisamment pour insérer et fixer solidement le moteur.
2. Installez les courroies d'entraînement. Serrez-les à l'aide du levier de tension de la courroie à blocage rapide.
3. Contrôlez la tension des courroies et fermez la porte du protège-courroie.

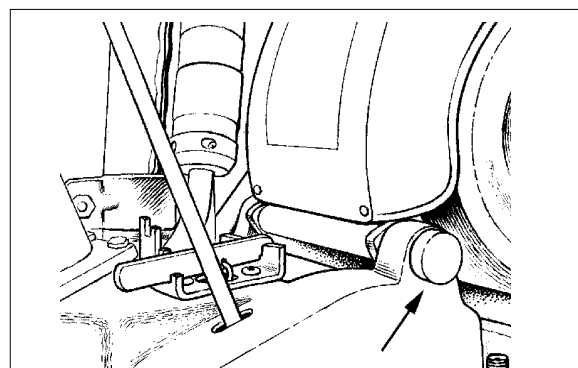


Figure 8

Transport de l'appareil

⚠ MISE EN GARDE: Une défaillance prématurée du roulement est possible si la courroie du ventilateur est trop serrée. La courroie du ventilateur devrait dévier de 12,7mm (1/2po) au centre des pales avec une simple pression de 2,27kg (5lbs).

REMARQUE: Il est nécessaire de régler la courroie du ventilateur séparément au cours de cette procédure ou lors d'un remplacement. La poulie tendeur est réglée en usine.

Transport de l'appareil: deux personnes

1. La personne no. 1 positionne ses mains sous le devant du bloc principal de l'appareil.
2. La personne no. 2 lève l'appareil par la poignée de l'opérateur.

Assemblage de l'appareil

Suivez cette procédure pour assembler votre appareil:

1. Veillez prendre connaissance de l'appareil et lisez toutes les notices de danger, d'avertissements et de mises en garde. Assurez-vous que tous les opérateurs de cet appareil ont bien lu le Manuel de l'utilisateur. S'ils ne sont pas en mesure de lire ce Manuel, ils devront se le faire expliquer entièrement avant d'utiliser la ponceuse.
2. Repérez la source d'alimentation. Le réceptacle doit être compatible avec la fiche. Le réceptacle doit être mis à la terre et disposer d'un fusible (voir la plaque signalétique pour les exigences électriques) pour empêcher un risque électrique.
3. Attachez le sac de dépoussiérage au coude (voir figure 9). Croisez les cordons du sac et attachez-les bien serrés sur l'évasement du coude. Enroulez le cordon autour du coude et fixez-le solidement.
4. Enroulez le cordon d'alimentation autour du bras pour câble (voir figure 10). Tenez le cordon d'alimentation hors du parcours de l'appareil. Ne branchez pas le cordon d'alimentation à cette étape.
5. Tirer sur le loquet pour libérer la porte d'accès de la chambre de ponçage.
6. Faites tourner le levier à blocage rapide vers l'avant (Voir figure 11).

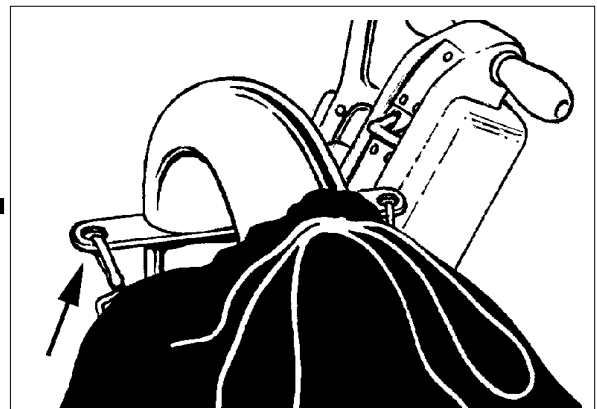


Figure 9

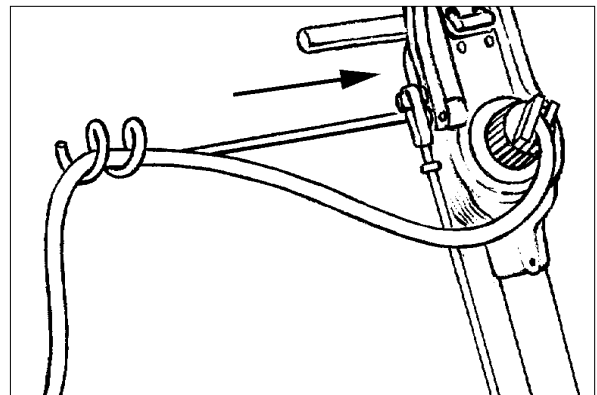


Figure 10

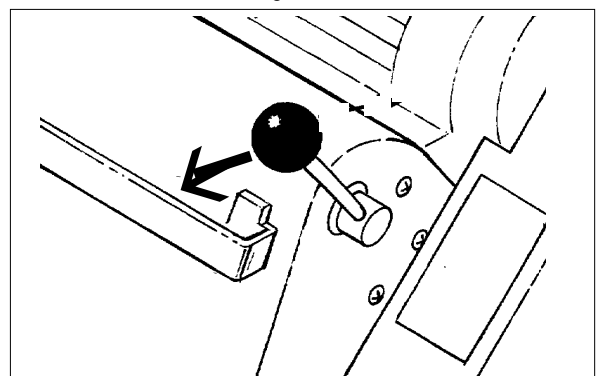


Figure 11

Assemblage de l'appareil

7. Insérez une nouvelle bande abrasive en la glissant au-dessus du rouleau compensateur et du tambour. (voir figure 12).
8. Faites tourner le levier à blocage rapide vers l'arrière pour resserrer la bande abrasive.

⚠ MISE EN GARDE : Ne forcez pas le levier à blocage rapide. Ceci pourrait endommager le mécanisme de guidage et la bande abrasive pourrait se désaligner.

9. Selon le modèle, le commutateur de commande se trouve sur la poignée de l'opérateur ou sur le moteur. Vérifiez s'il est bien en position d'arrêt "OFF". Regardez bien les marques sur le commutateur.
10. Branchez le cordon électrique. Sur certains modèles, il faut tourner la connexion en sens horaire pour la bloquer.
11. Faites marcher par à-coups (fonctionnement intermittent pour tester le fonctionnement) le commutateur de commande tout en observant l'alignement de la bande. Suivez les procédures décrites dans la section "Procédures de réglage de la ponceuse" à la page 56 pour rectifier l'alignement de la bande. Il existe aussi une étiquette apposée à l'intérieur de la porte d'accès qui décrit le réglage de la bande.
12. Fermez la porte d'accès. Placez l'extrémité du loquet dans le mentonnet de la porte d'accès et appuyez-le à plat contre le cadre principal pour le fixer.

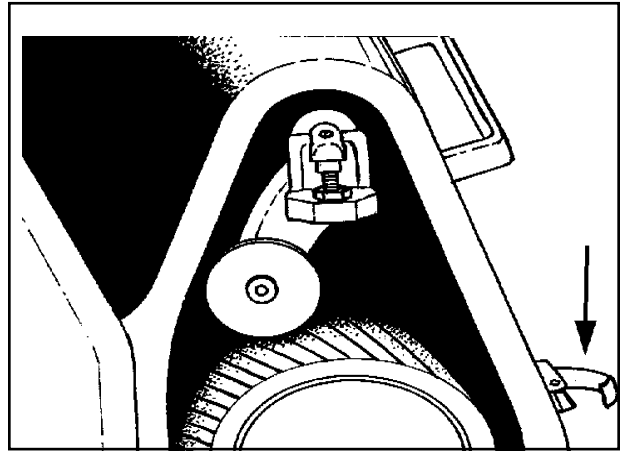


Figure 12

Fonctionnement de l'appareil



DANGER:

Le ponçage/la finition des planchers de bois peut créer un environnement déflagrant. Les briquets, les flammes pilote et toute autre source d'inflammation peuvent provoquer une explosion si actionnés au cours d'un ponçage. Toutes sources d'inflammation devraient être éteintes ou retirées entièrement, si possible, de la zone de travail.



DANGER:

Les zones de travail peu aérées peuvent se transformer en un environnement déflagrant lorsque certains matériaux combustibles sont présents dans l'atmosphère notamment les solvants, diluants, alcool, combustibles, certains finis, poussières de bois et autres matériaux combustibles. Les appareils de ponçage de plancher peuvent inflammer le matériel et les vapeurs. Bien lire l'étiquette du fabricant sur tous les produits chimiques pour évaluer la combustibilité. Veillez à ce que la zone de travail soit bien aérée.



DANGER:

La poussière de ponçage peut s'inflammer elle-même et provoquer des blessures ou des dommages. Videz le contenu du sac de dépoussiérage à chaque fois que vous avez terminé avec l'appareil. Éliminez toujours la poussière de ponçage dans un contenant en métal situé à l'extérieur de l'édifice. Ne laissez jamais un sac de dépoussiérage sans surveillance avec de la poussière de bois. Videz le contenu du sac fréquemment. Ne jetez pas le contenu du sac de dépoussiérage dans un feu.



DANGER:

En cours de ponçage, il est possible de provoquer une étincelle en heurtant un clou et ainsi, provoquer une explosion ou un incendie. Utilisez toujours un marteau et un poinçon pour fraisurer tous clous avant de sabler/poncer un plancher.

Suivez cette procédure pour faire fonctionner l'appareil:

1. Avant le ponçage, décidez de la meilleure méthode de ponçage pour la zone en question. Si le plancher est irrégulier, il serait peut être nécessaire de le poncer diagonalement à l'orientation de la pose du plancher. Cette méthode aide à "tirer" ou étirer les saillies ou trous du plancher sur une plus grande surface pour une surface plus plate.
Effectuez les ponçages préliminaires à des angles d'environ 15 degrés par rapport au fil du bois. Modifiez la direction du ponçage lors de ponçage subséquents et effectuez le ponçage final dans de sens du fil du bois. Cette méthode minimisera la tendance de formation d'ondulations et produira une surface de plancher plus homogène.

Lors du ponçage de la zone, travaillez dans une direction qui permet de vous éloigner du cordon d'alimentation alors que celui-ci entre dans une pièce. Vous éviterez ainsi de provoquer un enchevêtrement du cordon et cela réduira le besoin de déplacer le cordon hors de la trajectoire aussi fréquemment.

Poncez la zone de sorte que vous évitez les interruptions ou des points de terminaison à la fin d'un passage). Effectuez de long passages.

2. Placez le bras du câble de l'appareil dans la direction opposée à celle à laquelle vous désirez travailler. Faites tourner le coude du conduit de poussière jusqu'à ce que le sac de dépoussiérage repose sur le moteur. Cette disposition maintiendra l'équilibre et la pression de ponçage au fur et à mesure que le sac se remplit. Autant que possible, faites fonctionner l'appareil avec le sac de dépoussiérage dans cette position.
3. Si la ceinture de travail (PN 60724A de Clarke American Sanders) est utilisée, utilisez la méthode suivante:
 - a. Mettez la ceinture de travail à votre taille.
 - b. Croisez les sangles à la taille. Voir figure #13.
 - c. Faites glisser l'extrémité bouclée de la ceinture au-dessus de la poignée du côté du levier de commande. Ajustez la longueur au besoin.
 - d. Enroulez l'excédent de la sangle autour du côté opposé de la poignée et tenez la en place avec votre main.



AVERTISSEMENT :

Il y a risque de blessures graves si l'opérateur a attaché l'extrémité libre de la sangle de la ceinture de travail de l'opérateur à l'appareil. Enroulez toujours la sangle de sorte qu'elle se libère rapidement en cas d'incendie du sac de dépoussiérage ou d'une explosion.

4. Actionnez le commutateur de commande.



MISE EN GARDE :

Pour empêcher tout dommage au plancher, assurez-vous que l'appareil se déplace lorsque le tambour touche le plancher.

5. Poncez légèrement en abaissant le tambour sur la surface à l'aide du levier de commande alors que la ponceuse est en mouvement.

Fonctionnement de l'appareil

6. Lorsque le tambour est en contact complet avec la surface, ajustez graduellement votre rythme pour un ponçage adéquat. Maintenez la ponceuse en mouvement alors que le tambour touche bien la surface pour empêcher l'apparition de marques de pause.
7. Autant que possible, déplacez l'appareil dans le sens du fil du bois. Ponchez la surface à un rythme constant.
8. Commencez à poncer plus légèrement à un point de terminaison en soulevant graduellement le tambour à l'aide du levier de commande. (Voir figure 13).
9. Répétez la technique décrite aux étapes 5, 6, 7 et 8 et ponchez de nouveau le passage antérieur. À la fin du premier aller-retour, débutez un nouveau parcours en empiétant sur le passage précédent avec la moitié du papier abrasif. Décalez les points de terminaison pour empêcher l'apparition d'une crête distincte et produire un meilleur fondu avec la ponceuse portative.
10. Videz le contenu du sac de dépoussiérage dans un contenant en métal situé à l'extérieur de l'édifice. Videz le sac de dépoussiérage dès qu'il est plein selon les directives sur le sac.

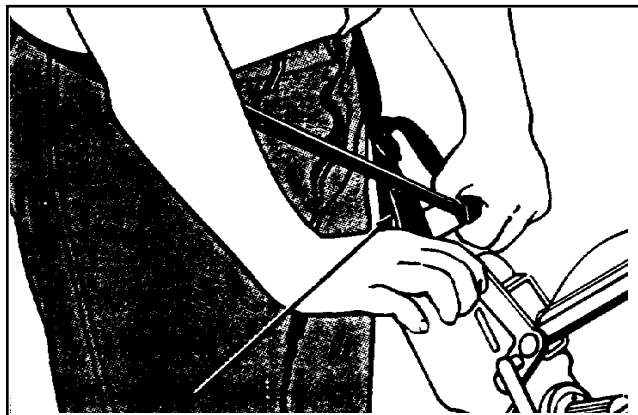


Figure 13

⚠ AVERTISSEMENT: Ne surchargez pas le sac de dépoussiérage car il y a risque d'incendie. Ne laissez jamais un sac de dépoussiérage sans surveillance. La poussière de ponçage peut s'inflammer elle-même et provoquer un incendie ou une explosion. Utilisez seulement des sacs de remplacement d'origine Clarke American Sanders.

⚠ MISE EN GARDE: Un sac surchargé modifiera l'équilibre et le rendement de l'appareil. Ne manipulez pas le sac de dépoussiérage et le coude en cours de ponçage car il y a risque de dommages au plancher.

Ponçage et papier abrasif

Premier ponçage

L'objectif du premier ponçage est de retirer l'ancien fini et les imperfections brutes de la surface du plancher. Ainsi, la pression de ponçage de l'appareil de ponçage devrait être élevée et une bande abrasive à grain grossier, utilisée. Si la surface est gravement endommagée avec des égratignures profondes, des marques d'arrêt existantes, des planches irréguliers, etc. il serait peut être nécessaire de poncer contre ou en diagonale avec le fil du bois pour restaurer l'homogénéité de la surface. Si tel n'est pas le cas, le premier ponçage devrait être dans le sens du fil du bois.

Si la surface devient lustrée, présente des marques de surcharge ou de brûlure immédiatement au premier ponçage, sélectionnez un abrasif à grains plus grossier. Si tel est le cas au cours d'un premier ponçage, la bande abrasive est usée et doit être remplacée.

Ponçages finaux

L'objectif d'un ponçage final est d'effacer les égratignures produites au cours du premier ponçage. Utilisez un grain grossier à médium (60 à 80 grains) et réduisez le réglage de la pression de ponçage.

Si la surface est encore rugueuse après un ponçage de finition, il serait peut être nécessaire d'utiliser un abrasif à grain plus fin (80 à 100 grains). Sélectionnez soigneusement la taille du grain de l'abrasif. Un grain très fin bouchera les pores d'un plancher de bois qui rendra difficile l'application d'une teinture.

Si la surface devient lustrée ou que des marques de brûlure apparaissent, réduisez la pression de ponçage. Si tel est le cas au cours d'un ponçage de finition, la bande abrasive est usée et doit être remplacée.

Bandes abrasives

Remarque: Tous les numéros de pièces indiqués sont pour des emballages de 10 bandes.

Grain	Utilisez	Aluminum Oxydes	Silicium Carbure	Céramique Oxyde d'aluminium
abrasif à 16 grains	Pour aplanir les imperfections brutes et restaurer l'homogénéité de vieux planchers. Pour retirer l'accumulation de peintures et de vernis.	-	945844	-
abrasif à 36 grains	Pour le premier ponçage d'un nouveau plancher (érable, chêne). Pour retirer les petites imperfections et les finitions de vieux planchers.	-	945842	945901
abrasif à 40 grains	Pour le premier ponçage d'un nouveau plancher (chêne, noyer). Pour retirer les petites imperfections et les finitions de vieux planchers.	-	945841	945902
abrasif à 50 grains	Pour le premier ponçage d'un nouveau plancher (cèdre, pin, sapin) Pour le nettoyage d'un abrasif 16 grains	-	945840	945903
abrasif à 60 grains	Pour le nettoyage d'un premier ponçage avec un abrasif . extra grossier 36-40	945839	-	945904
abrasif à 80 grains	Pour le ponçage final de certains types de bois dur. Pour le nettoyage d'un premier ponçage avec un abrasif grossier (50 grains).	945838	-	945905
abrasif à 100 grains	Pour le ponçage final de certains types de bois dur où on recherche une surface lisse.	945837	-	945909
abrasif à 120 grains	Pour le ponçage final de certains conifères	945836	-	945910
abrasif à 150 grains	Pour le ponçage final de certains conifères où on recherche une surface lisse.	945835	-	945911
abrasif à 180 grains	Pour dégrossir entre les couches de finition.	945834	-	-

Prévention des marques transversales de vibration

Les ponceuses Clarke sont conçues et fabriquées suivant les tolérances les plus exigeantes. Toutefois, après un ponçage de finition, il est possible de voir des marques "transversales" ou des "ondulations".

Il est préférable de finir un plancher avec une ponceuse horizontale rotative, telle que la ponceuse Clark Sanders 16, pour bien aplanir les marques transversales.

Pour minimiser les marques transversales lors de l'utilisation d'une ponceuse à courroie ou à tambours, suivez les étapes suivantes:

1. **MARQUES DE TAMBOUR**...sont provoquées lorsque l'opérateur abaisse le tambour sur le plancher sans déplacement. On enlève ces marques en ponçant à un angle de 45 degrés aux marques. Poncer la marque suivant le même parcours ne fera qu'augmenter la profondeur et la largeur de la marque. (voir figure 14).
2. **DÉPLACEMENT IRRÉGULIER**...provoque des "ondulations" étendues. L'appareil ponce plus profondément dans le matériel lors d'un déplacement plus lent. Soyez attentif et déplacez-vous à un rythme régulier et constant.
3. **PONÇAGE EXCESSIVEMENT LÉGER**...peut révéler la présence d'un bossellement sur le papier/tambour et provoquer des marques transversales. Effectuez un ponçage plus agressif et augmentez le rythme.
4. **RÉSIDUS**...logés entre le papier et le tambour laissera des marques transversales. Sur une ponceuse à tambour, les résidus peuvent adhérer au tambour. Assurez-vous que le tambour est propre et sans résidus avant d'insérer le papier abrasif.
5. **LA QUALITÉ ABRASIVE**...peut varier. Les joints de la bande abrasive sont plus épais sur des papiers de faible qualité et provoqueront des marques transversales. Utilisez seulement du papier abrasif spécifié Clarke. Entrez le papier abrasif selon les recommandations du fabricant.

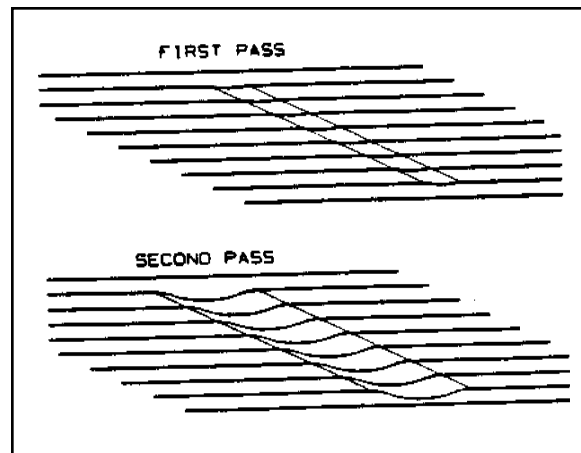


Figure 14

UN ENTRETIEN ET UNE UTILISATION APPROPRIÉS DE VOTRE APPAREIL PEUT MINIMISER LES MARQUES TRANSVERSALES ET LES ONDULATIONS.

1. **COURROIES EN V**...peuvent provoquer des vibrations et des marques transversales si elles sont de faible qualité. Utilisez seulement des courroies/bandes spécifiés Clarke.
2. **DES ROUES DE CAMION ET DES ROULETTES**... avec des portions plates, excentrées ou débris adhérents à leurs surfaces peuvent provoquer des "ondulations" ou des marques "transversales". Nettoyez et inspectez toujours toutes les roues/roulettes avant de débuter un ponçage et avant le ponçage de finition. Remplacez ou recentrez les roues si elles sont excentrées. Ne laissez pas reposer la ponceuse sur des surfaces dures pour de longues périodes de temps.
3. **PATINS POUR RÉCUPÉRER LA POUSSIÈRE**...pourraient avoir besoin d'un ajustement individuel pour les différents matériaux à poncer. Un patin mal réglé laissera une traînée de résidus sur lesquelles passeront les roues et provoqueront des "ondulations aléatoires".
4. **LES TAMBOURS**... peuvent être bosselés et provoqueront des marques "transversales". Communiquez avec votre concessionnaire Clarke pour le remplacement ou la rectification du tambour.
5. **ROULEMENTS À BILLES**...du moteur, tambour ou ventilateur peuvent s'user et provoquer des vibrations qui laisseraient des marques transversales.
6. **POULIES**...endommagées ou très usées peuvent provoquer des vibrations et laisser des marques transversales. Communiquez avec votre concessionnaire Clarke pour du support.
7. **TENSION DE LA BANDE ABRASIVE**...devrait toujours être relâchée à chaque pause de dix (10) minutes ou plus pour empêcher une compression du tambour.

REMARQUE : Clarke n'est pas responsable pour la remise en état de planchers jugés inacceptables par le client. Il est de votre responsabilité de vous assurer que votre appareil est en bon état de fonctionnement et que vous utilisez le bon appareil pour le travail.

Procédures de réglage de la ponceuse

⚠ DANGER: Il y a risque d'électrocution si vous effectuez un entretien et des réparations sur un appareil qui n'est pas correctement débranché de la source d'alimentation. Débranchez l'appareil de la source d'alimentation avant d'effectuer tout entretien ou réparations.

⚠ DANGER: Les pièces mobiles de cet appareil peuvent provoquer de graves blessures et/ou des dommages. Tenez les mains, pieds et vêtements amples loin de toutes pièces mobiles de la ponceuse.

Les informations suivantes détaillent les méthodes de réglages des différentes fonctions/commandes de la ponceuse.

Patin à poussière

Suivez cette procédure pour régler le patin à poussière:

1. Débranchez l'appareil de la source d'alimentation.
2. Desserrez les trois (3) vis qui rattachent le patin à poussière au châssis.
3. Abaissez le patin à poussière pour réduire le dégagement.
4. Soulevezle patin à poussière pour augmenter le dégagement.
5. Alignez le patin à poussière au châssis puis serrez les vis. (voir figure 15).

Pression de ponçage

Vous avez le choix entre trois (3) types de pression: élevée, moyenne et légère. Plus la position est basse et plus la pression est élevée. Pour modifier les paramètres, soulevez le levier et déplacez-le dans la position désirée. (voir figure 16).

Nivellement du tambour

⚠ MISE EN GARDE : Si l'appareil fonctionne sans être au niveau, l'alignement de la bande risque d'être négativement affecté.

L'appareil est nivelé en usine et aucun ajustement postérieur ne devrait être nécessaire. Après tout entretien du système de transport, le pointeur sur le support de nivellement doit retourner à son point d'origine (voir figure 17).

Suivez cette procédure si vous avez besoin de niveler après le remplacement de celle-ci:

1. Abaisser le tambour au 2. Enfoncez la 2.

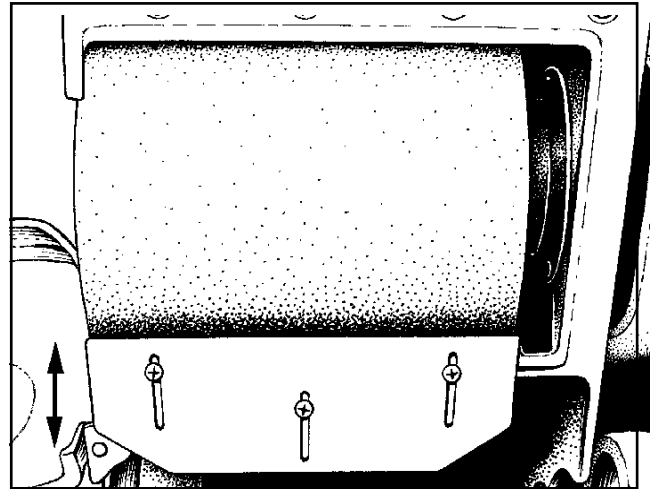


Figure 15

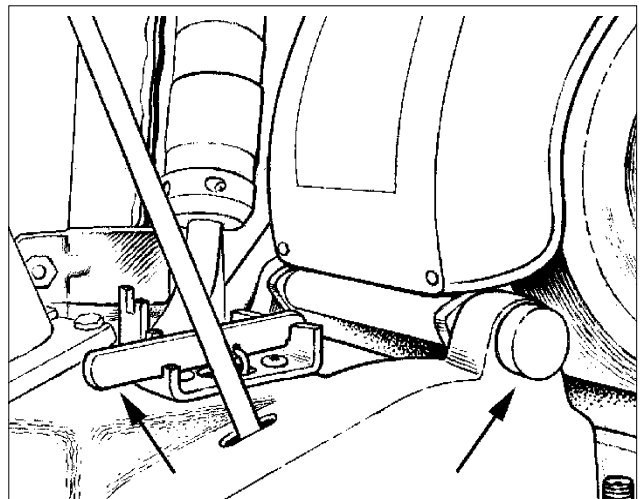


Figure 16

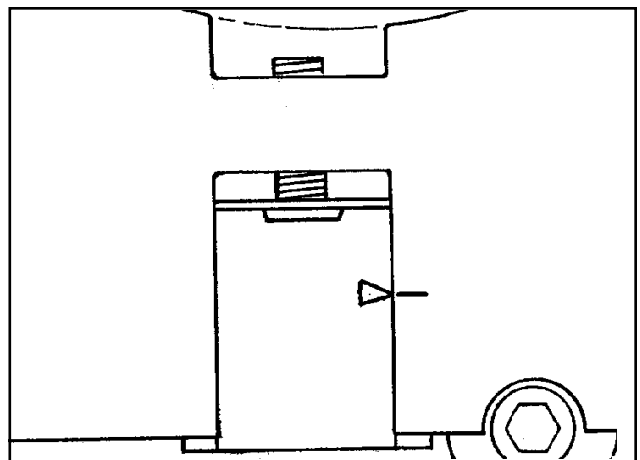


Figure 17

Procédures de réglage de la ponceuse

- vis de réglage **vers l'intérieur** pour poncer plus agressivement sur la gauche (du côté de la courroie d'entraînement). Retirez la vis de réglage **vers l'extérieur** pour poncer plus agressivement sur la droite (du côté opposé des courroies d'entraînement). Essayez les paramètres sur une surface régulière. Effectuez plus de réglages le cas échéant.
- Marquez de nouveau l'emplacement sur le cadre principal.

Alignement de la bande

REMARQUE : La bande abrasive devrait être apposée uniformément sur le tambour. Pour ceci, le bord externe de la bande abrasive doit être 2mm (0,09po) à l'extérieur de l'extrémité du tambour. Cette méthode optimise la transition entre les passages.

⚠ AVERTISSEMENT: Il y a risque de blessures pour l'opérateur si les réglages sont effectués avec le moteur en marche. N'effectuez pas de réglages lorsque l'appareil est branché ou en marche.

Suivez cette procédure pour régler le guide de la bande:

- Repérez la vis de réglage du guide de la bande. (voir figure 18A)
- Tenez la vis de réglage du guide de la bande et desserrez l'écrou bloquant. (voir figure 18B)
- Tournez en sens antihoraire la vis de réglage du guide pour déplacer la bande vers l'intérieur.
- Tournez en sens horaire la vis de réglage du guide pour déplacer la bande vers l'extérieur.
- Essayez le réglage puis serrez l'écrou de blocage.

Commandes

Pour **augmenter** la portée ou l'atteinte de la poignée de commande, suivez cette procédure:

- Desserrez l'écrou de blocage de la tige de réglage. (voir figure 19A)
- Vissez la rallonge de la tige de réglage (voir figure 19B) jusqu'à ce que la portée voulue soit atteinte.
- Serrez l'écrou de blocage.

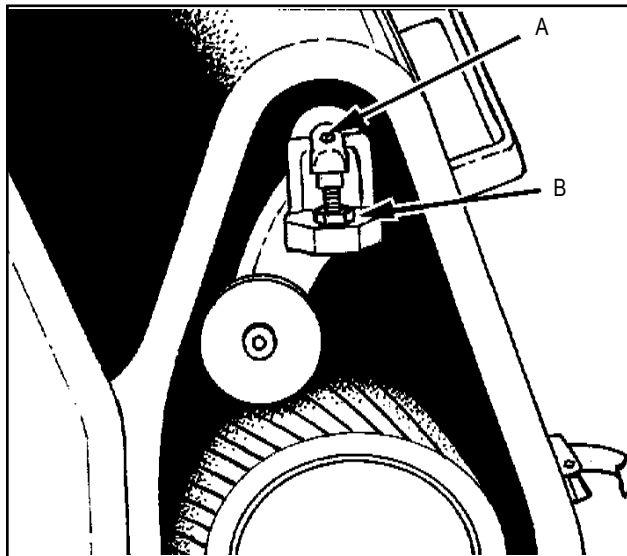


Figure 18

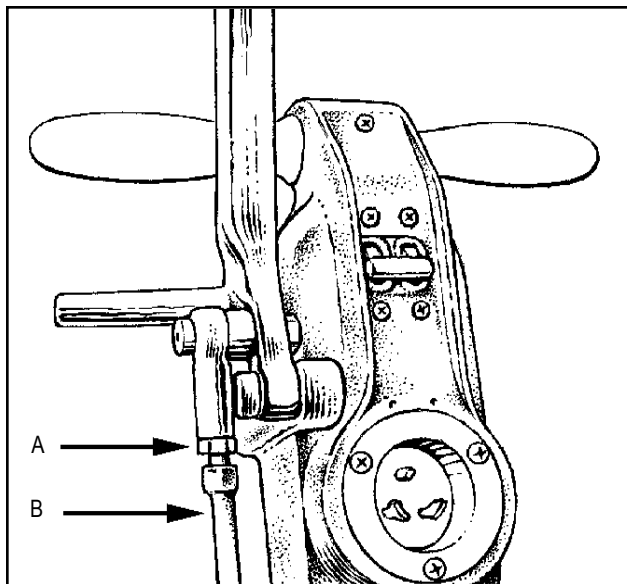


Figure 19

Procédures de réglage de la ponceuse

Pour **dominer** la portée ou l'atteinte de la poignée de commande, suivez cette procédure:

1. Desserrez l'écrou de blocage de la tige de réglage. (voir figure 20A)
2. Dévissez la rallonge **de la tige de réglage** jusqu'à ce que la portée désirée soit atteinte.
3. Serrez l'écrou de blocage.

Entretien de routine

Les articles suivants exigent une inspection et un entretien périodiques pour le bon fonctionnement de votre ponceuse

Chambre de ponçage

Soufflez régulièrement la chambre de ponçage pour prévenir une grande accumulation de résidus qui pourrait interférer avec le rendement du rouleau compensateur.

Roues

Retirez régulièrement les résidus des roues de camion et des roulettes. Les résidus peuvent provoquer des marques d'ondulation sur un plancher sablé.

Sac de dépoussiérage

Retirez le sac de l'appareil et secouez-le complètement pour enlever la poussière de ponçage du sac. Tournez le sac à l'envers et lavez-le à la machine, à l'eau froide, pour prévenir le blocage des pores et une perte de rendement.

Courroie d'entraînement

La tension de la courroie d'entraînement est réglée à l'usine et ne requiert aucun autre réglage. Vérifiez régulièrement la tension de la courroie d'entraînement. Une tension adéquate de la courroie est atteinte lorsque qu'une force de 4,45 kg (10 lbs) appliquée au milieu de la courroie produit une déviation de 127 mm (1/2 po).

Pour augmenter la tension de la courroie, relâchez la tension à l'aide du levier à blocage rapide (voir figure 6).

Tournez la vis de réglage vers "l'extérieur (out)" (voir figure 21) un quart de tour. Remettez la tension à l'aide du levier à blocage rapide et vérifiez le réglage. Répétez cette procédure au besoin. Pour diminuer la tension, tournez la vis de réglage vers "l'intérieur (IN)".

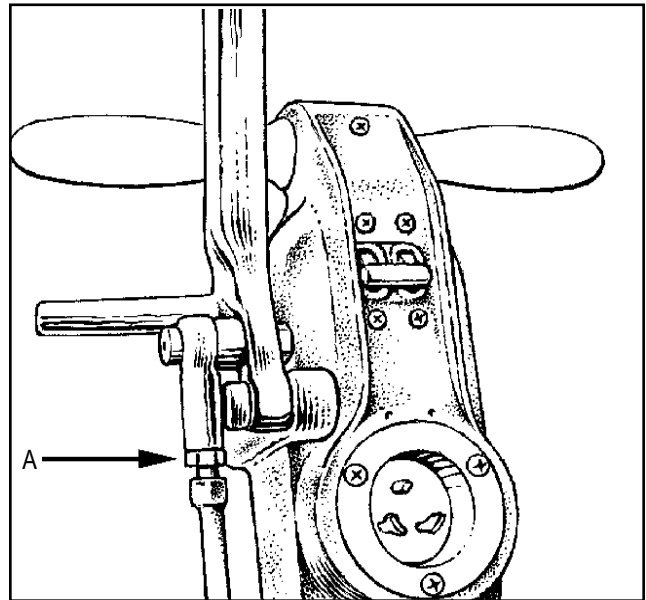


Figure 20

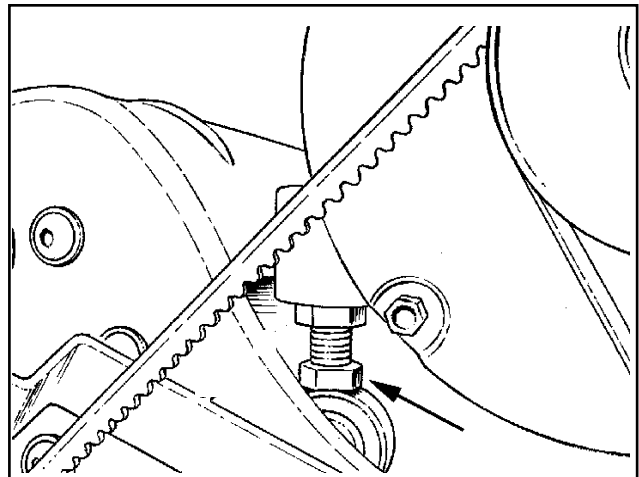


Figure 21

Entretien de routine

Roulements

Vérifiez régulièrement les roulements pour tout signe d'usure ou de dommages selon le calendrier suivant :

<i>Galets de guidage</i>	après le 1 ^{ier} 650 heures.
<i>Poulie tendeur</i>	après le 1 ^{ier} 1500 heures.
<i>Arbre du ventilateur</i>	après le 1 ^{ier} 2500 heures.
<i>Rouleau compensateur</i>	après le 1 ^{ier} 2500 heures.
<i>Tige d'axe</i>	après le 1 ^{ier} 5000 heures.
<i>Arbre du moteur</i>	après le 1 ^{ier} 5000 heures.

Rouleau et galet

Vérifiez régulièrement les galets de guidage et le rouleau compensateur pour tout trace d'usure.

Dépannage

Problème	Motifs	Solution
Les courroies d'entraînement glissent. (bruits de craquement ou grincement)	Tension insuffisante	Effectuer le réglage de la tension selon les procédures de réglages.
	Courroies usées	Remplacer les courroies.
Craquement, grondement ou crissement en provenance de l'appareil.	Roulement endommagé et/ou usé	Déposer les courroies d'entraînement, tourner l'axe, moteur, ventilateur, arbres/tiges et poulie tendeur pour repérer les glissements ou les rugosités du roulement. Communiquer avec un concessionnaire agréé.
Dépoussiérage faible	Le sac de dépoussiérage est plein.	Vider le contenu du sac.
	Le sac de dépoussiérage est sale.	Secouer le sac pour éliminer les résidus et le laver.
	Mauvais ajustement du patin à poussière.	Réajuster le patin à poussière.
	La sortie pour la poussière est obstruée.	Déposer le couvercle du ventilateur et dégager le conduit.
Le moteur refuse de démarrer.	Démarrateur défectueux.	Communiquer avec un concessionnaire agréé.
	Condenseur de démarrage défectueux.	Communiquer avec un concessionnaire agréé.
	Commutateur électronique de démarrage défectueux.	Communiquer avec un concessionnaire agréé.
	Faible tension d'une mauvaise connexion.	Communiquer avec un concessionnaire agréé.
	Moteur défectueux	Communiquer avec un concessionnaire agréé.
	Sans alimentation.	Vérifier la source d'alimentation et les connexions.
	Disjoncteur ouvert	Réinitialiser
Le moteur tourne au ralenti.	Faible tension suite à un métrage près de la zone excessif, calibre trop bas de travail.	Repérer la source d'alimentation la plus rallonge de Pression de ponçage réduite
	Condenseur de marche défectueux.	Communiquer avec un concessionnaire agréé.
	Moteur défectueux.	Communiquer avec un concessionnaire agréé.
Disjoncteur du moteur se déclenche/ déclenchements répétitifs.	Charge excessive.	Communiquer avec un concessionnaire agréé.
	Commutateur électronique de démarrage défectueux.	Communiquer avec un concessionnaire agréé.
	Démarrateur défectueux.	Communiquer avec un concessionnaire agréé.
	Faible tension d'une mauvaise connexion.	Communiquer avec un concessionnaire agréé.
	Moteur défectueux.	Communiquer avec un concessionnaire agréé.
	Condenseur défectueux.	Communiquer avec un concessionnaire agréé.
Ponçage irrégulier.	Nivellement dérégulé.	Réajuster le niveau.
	Alignement de la bande abrasive.	La bande abrasif dévie vers le bord du tambour au ponçage plus agressif.

Dépannage

Problème	Motifs	Solution
Signes de brûlure ou fini lustré.	Surface abrasive usée. Pression de ponçage excessive. Abrasif de la bande trop fin.	Remplacer le papier abrasif. Réduire la pression de ponçage (Fig. 16, page 55). Utiliser une bande avec un abrasif plus grossier.
Ponçage lent.	Surface abrasive usée. Abrasif de la bande trop fin. Pression de ponçage insuffisante.	Remplacer le papier abrasif. Utiliser une bande avec un abrasif plus grossier. Augmenter la pression de ponçage (Fig. 16, page 55).
Marques d'ondulation sur la surface poncée.	Résidus sur les roues. Côté plat sur le(s) pneumatique(s)	Retirer et nettoyer les roues. Remplacer le pneumatique.
Marques transversales sur la surface poncée (rides régulières peu espacées)	Consulter la section à propos de la Prévention des marques transversales de vibration page 54.	Consulter la section à propos de la Prévention des marques transversales de vibration page 54.
Mécanisme de relâche de la tension difficile à utiliser.	Résidus interfèrent avec le mécanisme de levier. Roulement à coussinet usé. Liens difficiles.	Soufflez la chambre de ponçage. Déposer et démonter le mécanisme. Le nettoyer. Remplacer. Lubrifier avec du WD-40.
Bande de ponçage se déplace.	Roulement à coussinet usé. Saillies sur le tambour.	Vérifier la présence de jeu excessif, remplacer. Communiquer avec un concessionnaire agréé ou remplacer le tambour.
La bande abrasif ne prend pas.	Différence extrême entre la longueur d'un côté à l'autre de la bande. Saillie sur le tambour.	Remplacer la bande abrasive. Vérifier plusieurs différentes bandes abrasives. Communiquer avec un concessionnaire agréé ou remplacer le tambour.
La bande abrasive se déchire sur sa longueur.	Accumulation de résidus sur le rouleau compensateur supérieur.	Nettoyer le rouleau compensateur.

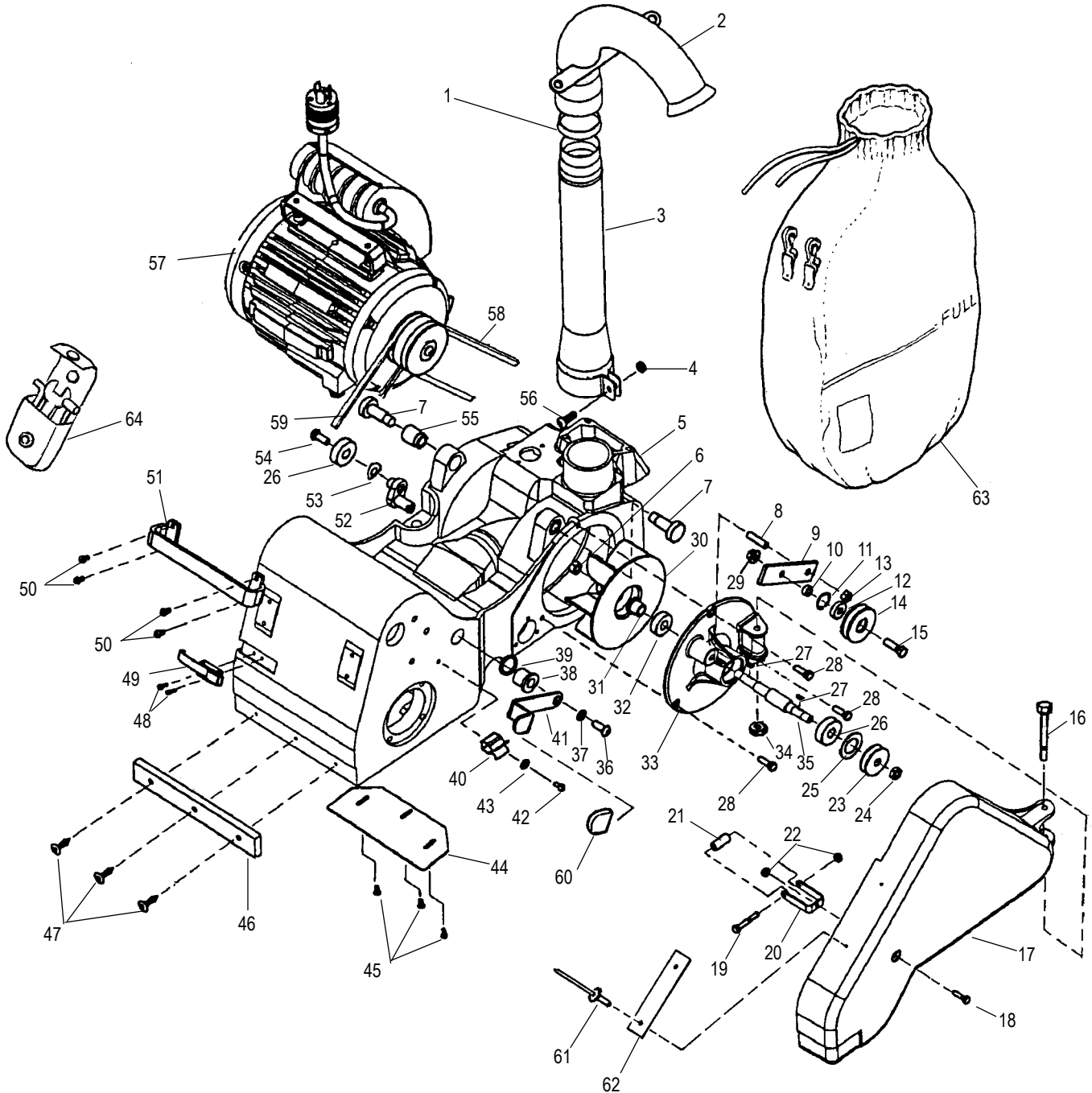
Clarke[®]
American Sanders[®]

FloorCrafter
Belt Sander
Section II
Parts and Service Manual

(70255B)

U.S. Patent No. 5,575,710 and No. 6,578,858

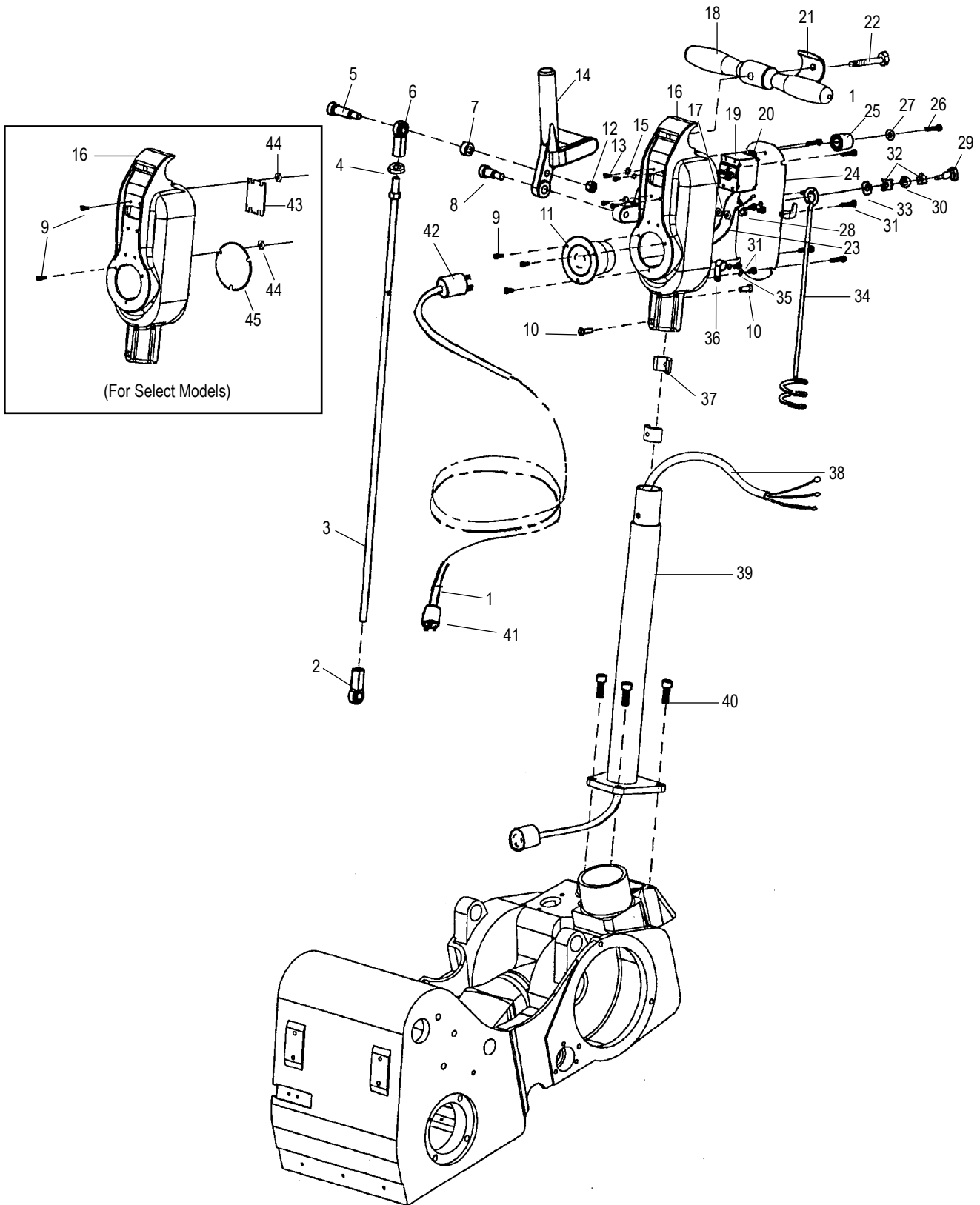
Clarke®
American Sanders®
FloorCrafter
Main Assembly Drawing #1 6/02



Clarke®
American Sanders®
FloorCrafter Belt Sander
Main Assembly Parts List #1 1/04

Ref No.	Part No	Description	Qty	Ref No.	Part No	Description	Qty
1	60342A	Seal, Felt	1	35	60370A	Shaft, Fan	1
2	10142A	Asm., Dust Tube Elbow	1	36	962870	Screw, $\frac{3}{8}$ -16 x $\frac{7}{8}$ Button	1
3	10144A	Asm., Tube, Dust	1	37	87000A	Washer	1
4	920342	Nut, $\frac{1}{8}$ -16 Lock	1	38	51215A	Bearing, flange	1
5	20022A	Mainframe	1	39	87052A	Washer	2
6	81202A	Nut, $\frac{7}{16}$ -14 L.H.	1	40	61600A	Clip-dust	1
7	60476A	Pin, Motor Mount	2	41	60368A	Lever, Belt Tensioning	1
8	68010A	Stud, Idler Arm	1	42	86111A	Screw, $\frac{1}{4}$ -20 x $\frac{1}{2}$	1
9	60414A	Arm, Idler	1	43	980657	Washer, Lk $\frac{1}{4}$ Std	1
10	67875A	Spacer	1	44	60397A	Cover, Dust Throat	1
11	57801A	Ring, Retaining	1	45	85517A	Screw, 10-24 x $\frac{1}{2}$	13
12	902619	Bearing	1	46	60392A	Bumper, Front	1
13	81108A	Nut, Lock $\frac{3}{8}$ -24	1	47	51219A	Rivet, Nylon	3
14	66170A	Pulley, Idler	1	48	962727	Screw, 8-32 x $\frac{1}{2}$	2
15	962216	Screw, $\frac{3}{8}$ -16 x $1\frac{1}{4}$	1	49	52338A	Latch, Draw	1
16	80017A	Bolt, $\frac{3}{8}$ x $2\frac{3}{4}$	1	50	87700A	Screw, $\frac{1}{4}$ -20 x $\frac{1}{2}$	5
17	20023A	Guard, Belt	1	51	60386A	Handle, Mainframe	1
18	80131A	Screw, Carriage, $\frac{1}{4}$ -20 x $\frac{3}{4}$	1	52	51093A	Cam, Belt Release	1
19	85702A	Screw, $\frac{1}{4}$ -20 x $\frac{3}{4}$	1	53	60482A	Spacer	1
20	60384A	Bracket, Latch	1	54	962565	Screw	1
21	68393A	Tube, Latch	1	55	60475A	Bolt, Adjustment	2
22	81102A	Nut, $\frac{1}{4}$ -20 ESNA	2	56	962216	Screw, $\frac{3}{8}$ -16 x $1\frac{1}{4}$	1
23	60366A	Pulley, Fan	1	57	Ref.	Assembly, Motor	1
24	920196	Nut	1	58	51039A	Belt, Fan	1
25	877304	Ring, Retaining, Internal	1	59	51024A	Belt Drive	1
26	51111A	Bearing, Ball	2	60	52420A	Cover, Lever	1
27	915561	Key	2	61	930093	Rivet, $\frac{1}{8}$ x $\frac{5}{16}$	2
28	85812A	Screw, $\frac{5}{16}$ -18 x $\frac{7}{8}$	3	62	74045A	Plate, Danger	1
29	171101	Nut, $\frac{3}{8}$ -16 Flange	1	63	50954A	Bag	1
30	23301A	Fan	1	* 64	10332A	Tool Kit (includes * items)	1
31	61602A	Collar	1	*	51273A	$\frac{3}{32}$ Hex Key (incl. in #64)	1
32	902567	Beaing, Ball	1	*	51274A	$\frac{7}{32}$ Hex Key (incl. in #64)	1
33	20026A	Cover, Fan	1	*	51347A	Pouch (incl. in #64)	1
34	920110	Nut, $\frac{5}{16}$ -18	1	*	59810A	Wrench $\frac{9}{16}$ x $\frac{7}{16}$ (incl. in #64)	2

Clarke®
American Sanders®
 FloorCrafter Belt Sander
 Handle Control Assembly Drawing #2 11/04

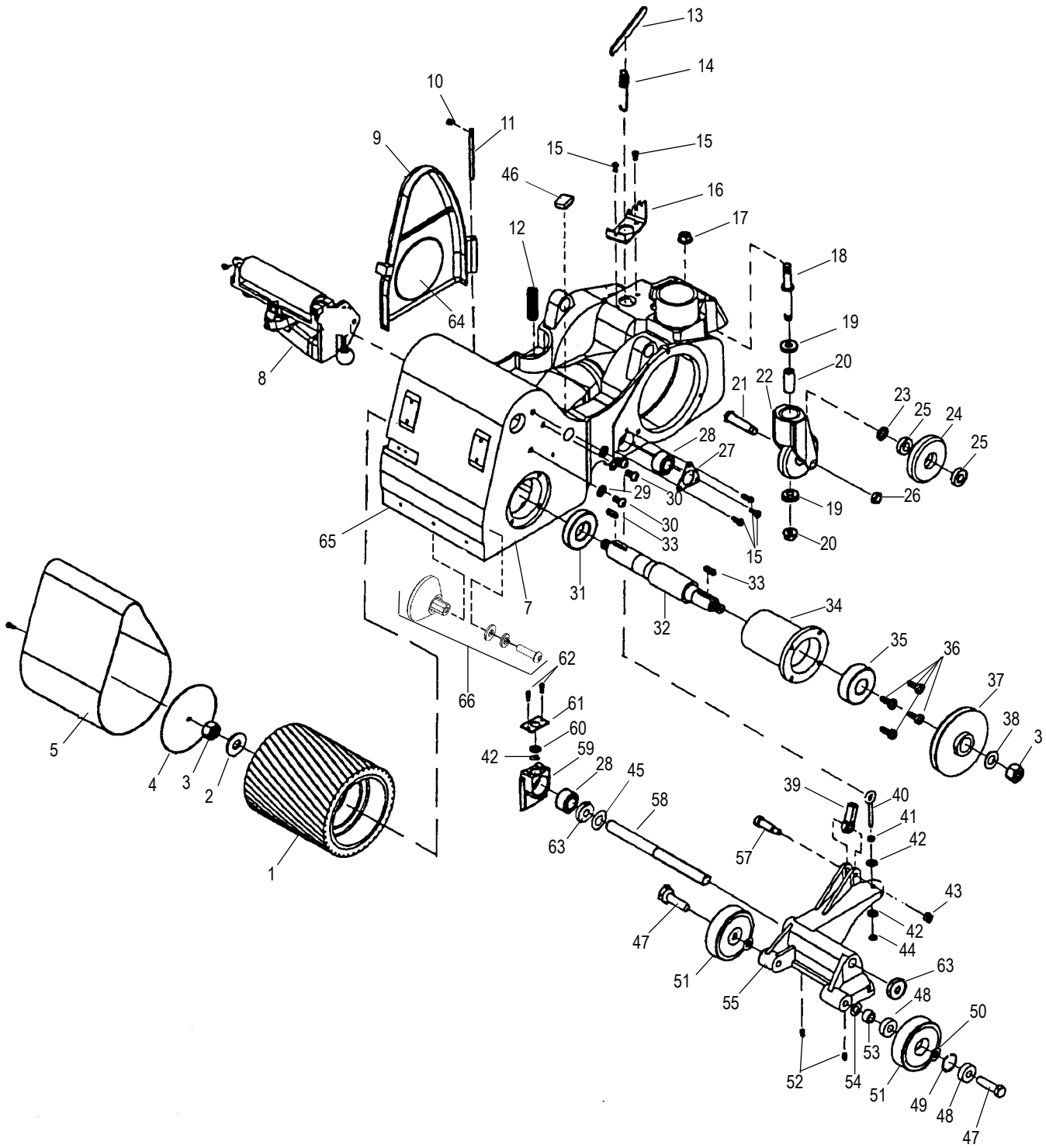


Clarke®
American Sanders
FloorCrafter Belt Sander
Handle Control Assembly Parts List #2 1/04

Ref No.	Part No	Description	Qty
1	42200A	Cord Set	1
	40010A	Cable Asm. AU2-15P	1
	40673A*	Cable Asm. UK1-13P	1
2	53538A	Rod, End $\frac{3}{8}$ "-24 L.H.	1
3	60387A	Rod, Control	1
4	920204	Nut, $\frac{3}{8}$ "-24 Hex Jam	1
5	80035B	Bolt, Shoulder $\frac{3}{8}$ " x $1\frac{1}{4}$ "	1
6	53537A	Rod, End, $\frac{3}{8}$ "-24 R.H.	1
7	898203	Spacer, Rod End	1
8	80155A	Bolt, Shoulder $\frac{1}{2}$ " x $\frac{5}{8}$ "	1
9	962727	Screw, 8-32 x $\frac{1}{2}$ "	3
	962727	Screw, 8-32 x $\frac{1}{2}$ "	7*
10	80132A	Screw, $\frac{1}{4}$ "-20 x $\frac{3}{4}$ "	2
11	43501A	Inlet, Flanged	1
12	920110	Nut, Lk $\frac{5}{16}$ "-18	1
13	85313C	Screw, 6-32 x $\frac{3}{8}$ " Pan Hd	4
14	25601A	Lever, Control	1
15	980607	Washer, #6 Tooth Pltd.	4
16	20016A	Control Housing	1
17	48900A	Wire Assembly	1
18	64405A	Handle, Steering	1
19	41411A	Circuit Breaker, 30 Amp	1
20	81109A	Nut, Hex, Elastic, Lock, 8-32	1
21	21904C	Clamp, Steering Handle	1
22	85818A	Screw, $\frac{5}{16}$ "-18 x $2\frac{1}{2}$ " Hx Hd	1
23	49023A	Wire, Assembly	1
24	10155A	Assy, Cordholder	1
25	51220A	Bumper, Plastic	1
26	85613A	Screw, 8-32 x $\frac{7}{8}$ "	1
27	980982	Washer, #10 SAE, Flat Hd	1
28	81112A	Nut, Lk., $\frac{3}{16}$ "-18	1
29	80026A	Bolt, Shoulder, $\frac{3}{8}$ " x $\frac{1}{2}$ "	1
30	87619A	Washer, Flat, .63 x .38 x .03	1
31	85517A	Screw, 10-24 x $\frac{1}{2}$ "	10
32	980022	Washer, Wave	2
33	87618A	Washer, Flat	1
34	60372A	Arm, Cord	1
35	980699	Washer	2
36	51074A	Clamp, Cable	2
37	60374A	Clamp, Retainer	2
38	41917A	Cord, Interconnecting	1
39	10145A	Mount, Handle Control	1
40	962288	Screw, $\frac{3}{8}$ "-16 x 1	4
41	45608A	Plug (for 42200A)	1
	40024A	Plug (for 40010A)	1
	45609A	Plug (for 40673A)	1
42	41706A	Connector	1
	40039A*	Connector (for 40673A)	1
43	40674A*	Cover Switch	1
44	920065*	Nut, #8	7
45	40675A*	Cover Inlet	1

* NOTE: used on machine model 07117A only.

Clarke
American Sanders
FloorCrafter Belt Sander
Contact Wheel & Truck Assembly Drawing #3 6/05

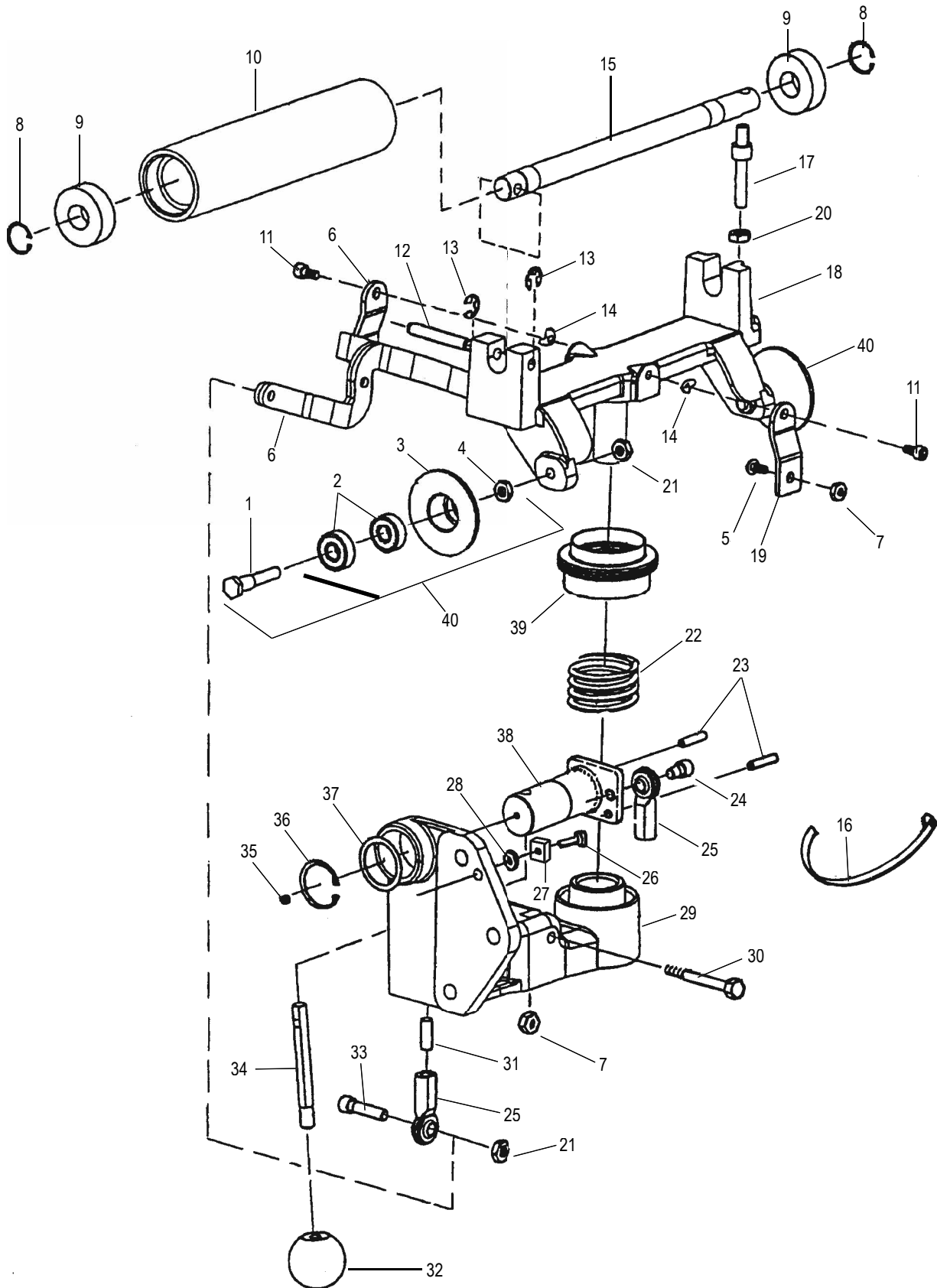


Clarke®
American Sanders
FloorCrafter Belt Sander

Contact Wheel & Truck Assembly Parts List #3 6/05

Ref No	Part No.	Description	Qty	Ref No	Part No.	Description	Qty
1	20015A	Wheel, Contact	1	34	51051A	Bearing, Carrier	1
2	60377A	Retainer, Contact Wheel	1	35	51224A	Bearing, Ball	1
3	81106A	Nut, Hex, Lock ¾-10	2	36	86110A	Screw, ⅜-16 x 1	4
4	60376A	Plate, Drum End	1	37	51053A	Pully, Drum	1
5	50913A	Belt, Abrasive	1	38	60378A	Retainer, Motor Pulley	1
6	87700A	Screw, ¼-20 x ½	1	39	53538A	Rod, End. ⅜ - 24	1
7	20022A	Mainframe	1	40	80119A	Bolt, Eye, ½ ID	1
8	10244A	Tensioner Assembly	1	41	920208	Nut, Hex, ¼-20	1
9	20021A	Access, Door	1	42	87007A	Washer	3
10	51211A	E-Ring, .25 Dia.	5	43	920110	Nut, Lk, ⅝-18	1
11	60389A	Pin, Hinge	1	44	81102A	Nut, ¼-20 ESNA	2
12	60380A	Screw, Leveling	1	45	980679	Washer	1
13	60356A	Lever, Pressure Adj.	1	46	52241A	Stop Pad	1
14	51096A	Spring, Pressure Adj.	1	47	51340A	Shaft, Truck Wheel	2
15	962823	Screw, ¼-20 x ½	5	48	51225A	Bearing, Ball	4
16	60357A	Bracket, Pressure Adj.	1	49	167312	Ring, Retaining	2
17	81209A	Nut, Large Flange	1	50	60481A	Spacer	2
18	60352A	Shaft, Yoke	1	51	50992A	Wheel, Asm., Truck	2
19	51279A	Bearing, Ball	2	52	962184	Screw, ¼-20 x ⅜, Set	2
20	60355A	Spacer, Caster, Bearing	1	53	67817A	Spacer	1
21	60353A	Axle, Wheel	1	54	87003A	Washer	2
22	20024A	Yoke, Caster	1	55	20017A	Control Carriage	1
23	87003A	Washer	2	56	51339A	Spacer, Truck Wheel	1
24	19611A	Wheel, Asm., Caster	2	57	80035B	Bolt, Shoulder, ⅜ x 1¼	2
25	51226A	Bearing, Ball	4	58	60375A	Axle, Truck	1
26	920196	Nut, ½-13	2	59	20019A	Bracket, Leveling	1
27	66972A	Retainer, Bearing	1	60	51203A	E-Ring	1
28	51190A	Bearing, Self Aligning	2	61	60351A	Plate, Retaining	1
29	980645	Washer, ⅜ Flat SAE	3	62	962911	Screw, 10-24 x ½	2
30	962870	Screw, ⅜-16 x 1	3	63	193944	Grommet, Rubber, ¾ x 7/16	1
31	51223A	Bearing, Ball	1	64	70236A	Label, Belt Tracking	1
32	51052A	Shaft, Arbor	1	65	30186A	Bumper Front Edge	1
33	60394A	Key	2	66	10958A	Roller Asm.	1

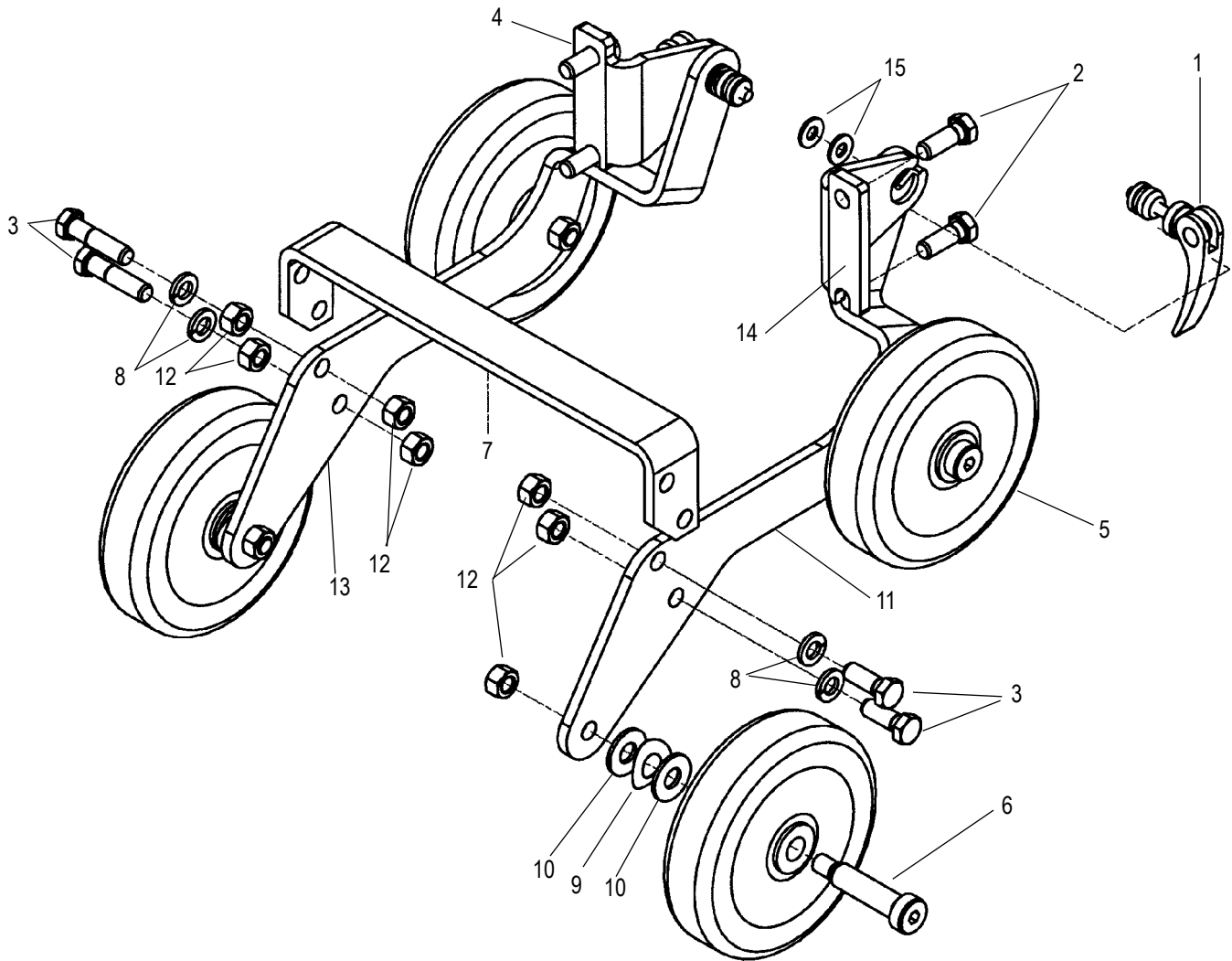
Clarke®
American Sanders
 Floorcrafter Belt Sander
 Belt Tensioner Assembly Drawing #4 6/02



Clarke®
American Sanders®
Floorcrafter Belt Sander
Belt Tensioner Assembly Parts List #4 6/02

Ref. No	Part No.	Description	Qty
1	Ref.	Shaft, Guide Roller	2
2	Ref.	Bearing	4
3	Ref.	Roller Guide	2
4	920208	Nut, Hex 1/4-20	3
5	60391A	Bolt, Shoulder	2
6	60393A	Lever, Draw	1
7	920296	Nut, 10-24	3
8	747380	Ring, Roller, Retaining	2
9	902567	Bearing, Ball	3
10	67201B	Roller, Tension	1
11	60395A	Screw, Link, Retaining	2
12	60396A	Pin, Roller Shaft	1
13	51211A	E-Ring	4
14	80140A	Washer	2
15	60383A	Shaft, Tension Roller	1
16	699202	Wire Tie	1
17	60381A	Adjuster, Tracking	1
18	20018A	Carriage, Tension Roller	1
19	60382A	Link, Draw	2
20	81303A	Nut, Hex Jam, 1/4-28	1
21	81217A	Nut, 1/4-20	3
22	60379A	Spring	1
23	925546	Pin, Roll	2
24	962822	Screw, 1/4-20 x 5/8	1
25	51216A	Rod, End, Female	2
26	962508	Screw, 1/4-20 x 3/4	1
27	60906A	Block, Wear	1
28	87007A	Washer	1
29	20020A	Support, Tensioner	1
30	80020A	Bolt, Shoulder	1
31	51221A	Link, Connecting	1
32	51099A	Knob, Release	1
33	80139A	Screw, 1/4-20 x 7/8	1
34	60364A	Lever, Tension Relief	1
35	962165	Screw, 10-24 x 3/16	1
36	51277A	Ring, Retaining	1
37	87052A	Washer, Flat, Nylon	2
38	10247A	Cam, Release	1
39	30087A	Boot, Belt Tensioning	1
40	14704A	Guide Roller Assembly	2

Clarke®
American Sanders
FloorCrafter Belt Sander
Dolly Assembly Drawing & Parts List #5 7/08

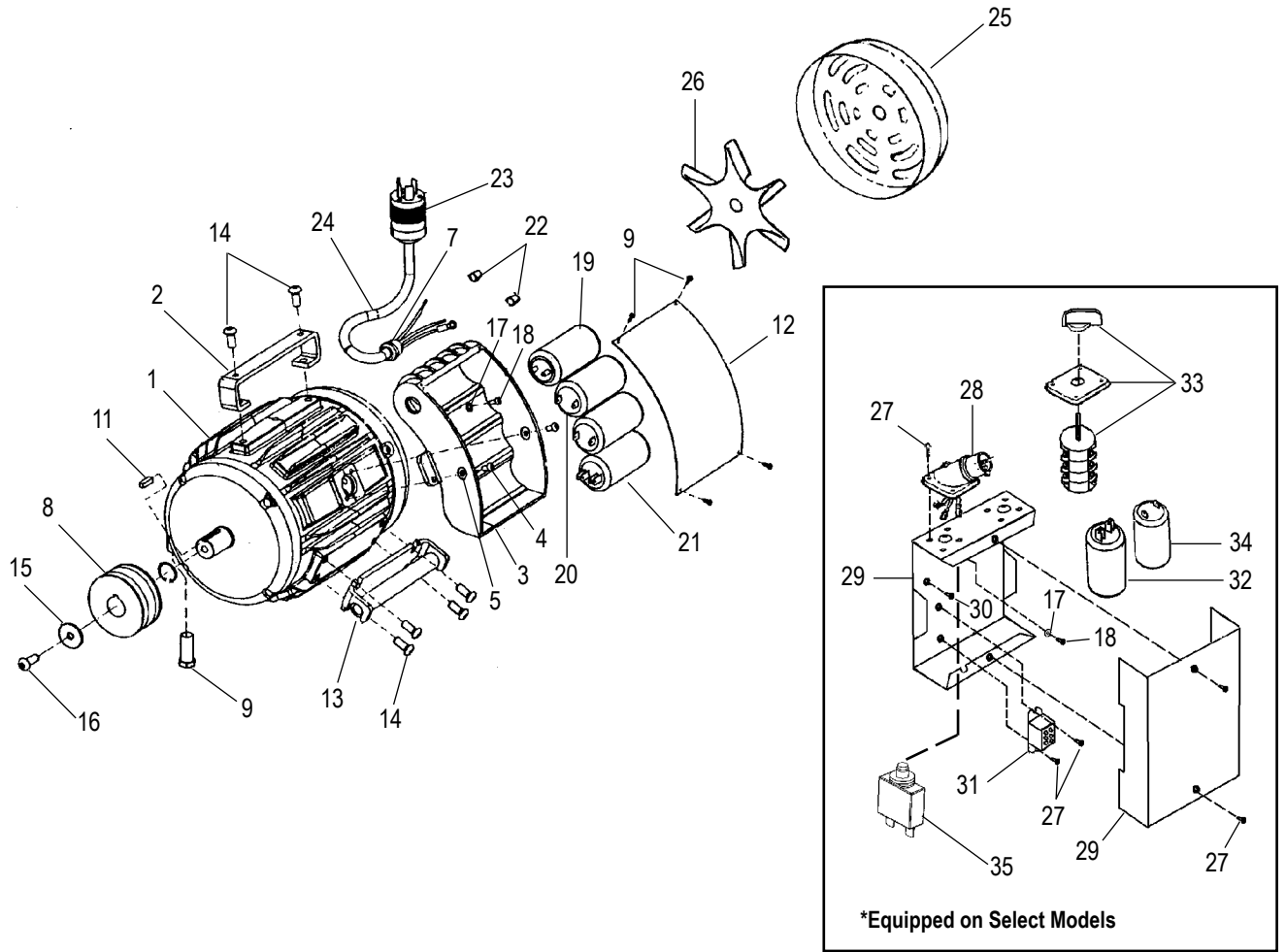


Ref No.	Part No	Description	Qty
1	51372A	Skewer, Clamp	2
2	962216	Screw, $\frac{3}{8}$ -16 x $1\frac{1}{4}$	4
3	962288	Screw, $\frac{3}{8}$ -16 x 1	4
4	60345A	Bracket, Left Mounting	1
5	39857A	Wheel	4
6	80047A	Bolt, Shoulder $\frac{1}{2}$ Dia x $1\frac{3}{4}$	4
7	60347A	Brace, Dolly	1
8	170883	Washer, $\frac{3}{8}$ Lock	4
9	87627A	Washer, .875 O.D. Bowed	4
10	980648	Washer	8
11	60349A	Bracket, Left	1
12	920260	Nut, Hex $\frac{3}{8}$ -16	8
13	60348A	Bracket, Right	1
14	60346A	Bracket, Right Mounting	1
15	980646	Washer, $\frac{1}{4}$	4
Asm.#	10392A*	Dolly Asm.	1

NOTE: # indicates a change has been made since the last publication of this manual.

*Dolly Asm. (10392A) includes all parts in list except for ref. no. 2 (962216), 4 (60345A) and 14 (60346A).

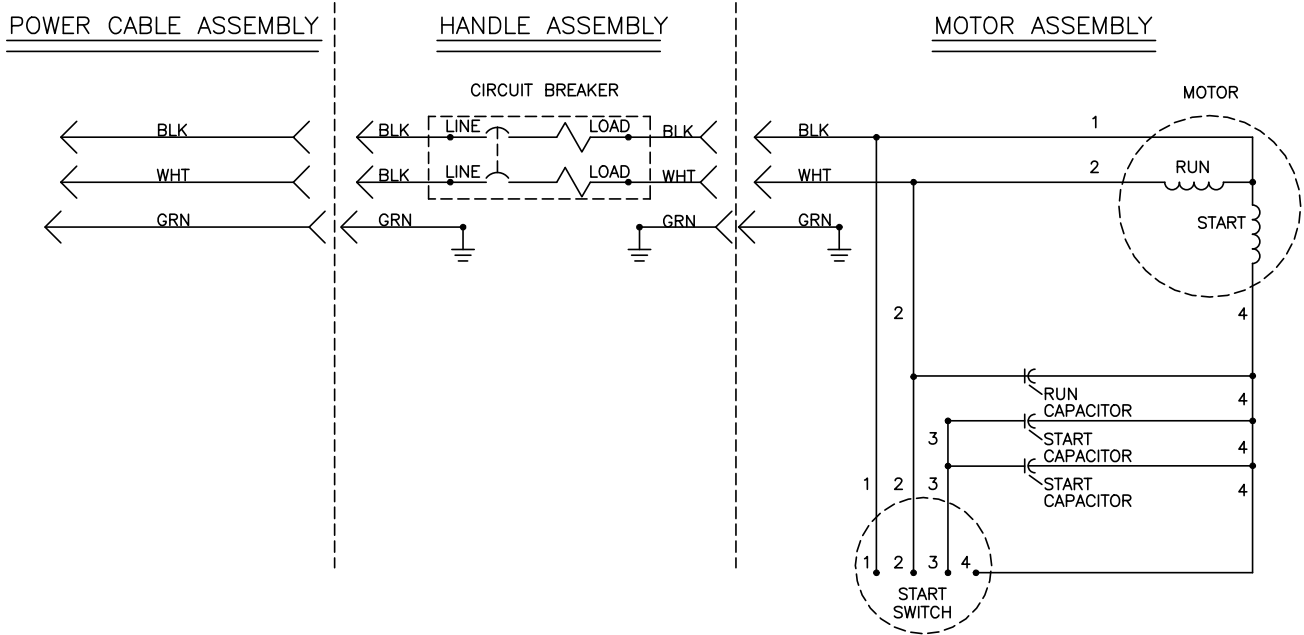
Clarke®
American Sanders
FloorCrafter Belt Sander
Motor Assembly Drawing & Parts List #6 2/06



Ref No.	Part No	Description	Qty	Ref No.	Part No	Description	Qty
1	40151A	Motor, 4 Hp 60 Hz	1	17	980603	Washer	1
	40531A	Motor, 2.2 kW 50Hz	1	18	85833A	Screw	1
	40672A*	Motor, 2.2 kW 50 Hz	1	19	41304A	Capacitor, 40 MFD	1
2	60350A	Handle, Motor	1	20	41305A	Capacitor, Start	1
3	22904A	Enclosure, Motor, Start	1	21	47378A	Switch, Start	1
4	85806A	Screw, ¼-20 x ½	2	22	170674	Connector, Wire Nut	2
5	980657	Washer, LK, ¼	2	23	45604A	Plug, Electric	1
6	962330	Screw, 6-32 x ¾	4	24	41945A	Cord, Motor	1
7	697502	Strain Relief	1	25	52769A	Fan Cover	1
8	60365A	Pulley, Motor	1	26	40546A	Fan	1
9	51222A	Screw, Belt Tensioning	1	27	962727*	Screw, 8-32 x ½	8
10	57712A	Ring, Retaining, Motor Shaft	1	28	10603A*	Inlet Asm.	1
11	60394A	Key ¼ x 1 ¾	1	29	40677A*	Enclosure Switch	1
12	73715A	Plate, Electric/Fire Warning	1	30	87700A*	Screw, ¼-20 x ½	2
13	10173A	Motor, Rear Mount	1	31	46323A*	Relay	1
14	962565	Screw, ¾-16 x ¾	6	32	41306A	Capacitor 60 MFD	1
15	87034A	Retainer, Motor Pulley	1	33	40676A*	Switch Control	1
16	962870	Screw, ¾-16 x 1	1	34	40921A*	Capacitor 40 MFD	1
				35	41419B*	Circuit Breaker	1

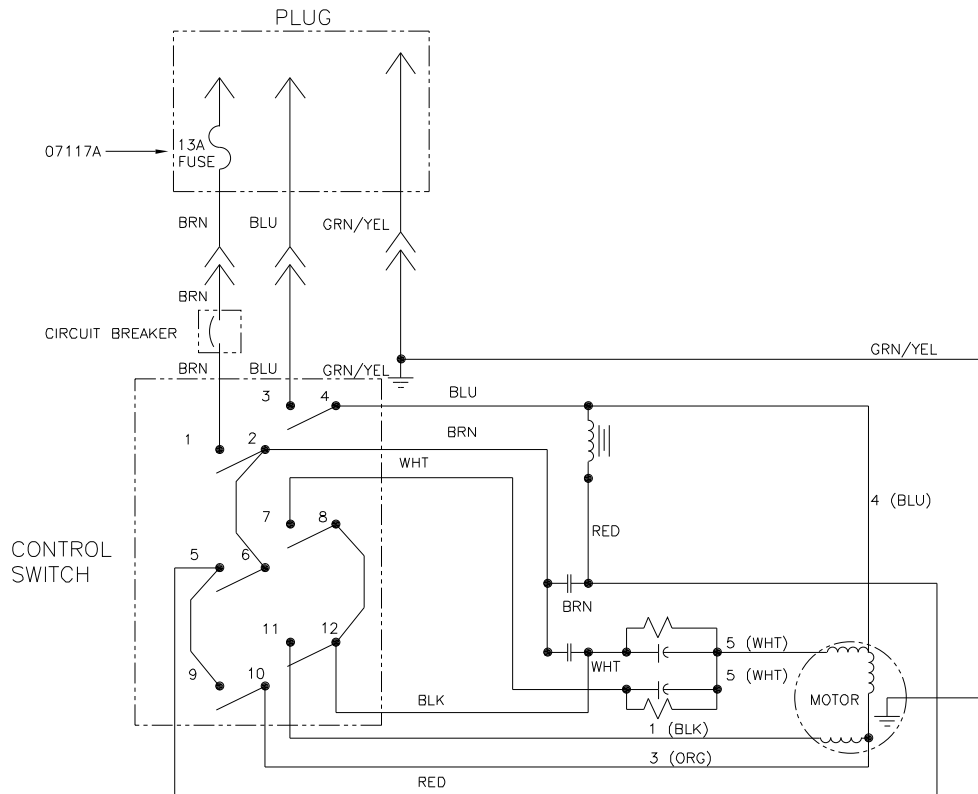
**Clarke
American Sanders**

**Floorcrafter
Wiring Diagram 1/01 (models 07104A and 07111A)**



**Clarke
American Sanders**

**Floorcrafter
Wiring Diagram 11/04 (Select Models)**





Overenstemmelseserklæring
Declaration of conformity
Konformitätserklärung
Declaración de conformidad
Atbilstības deklarācija
Megfelelősségi nyilatkozat
Certifikat o ustreznosti

Declaration de conformité
Verklaring van overeenstemming
Dichiarazione di conformità
Vastavussertifikaat
Deklaracja zgodności
Försäkran om överensstämmelse

Samsvarserklæring
Vaatimustenmukaisuusvakuutus
Atitikties deklaracija
Osvědčení o shodě
Certifikát súladu

Modell/ Modèle/ Model/ Malli/ Modelo/ Μοντέλο/ Modelo/ Modelis/Модель: Floor Treatment Machines

Түре/ Τυρπι/ Тіро/ Τύπος/ Түүр/ Tipas/ Тіps/ Тіps/ Тір/ Тіpus/ Тип/ Tip: Floor Crafter

- D** Der Unterzeichner bestätigt hiermit dass die oben erwähnten Modelle gemäß den folgenden Richtlinien und Normen hergestellt wurden.
- GB** The undersigned certify that the above mentioned model is produced in accordance with the following directives and standards.
- DK** Undertegnede attesterer herved, at ovennævnte model er produceret i overensstemmelse med følgende direktiver og standarder.
- N** Undertegnede attesterer att ovennevnte modell är produsert i overensstemmelse med følgende direktiv og standarder.
- E** El abajo firmante certifica que los modelos arriba mencionados han sido producidos de acuerdo con las siguientes directivas y estándares.
- I** Il sottoscritto dichiara che i modelli sopra menzionati sono prodotti in accordo con le seguenti direttive e standard.
- EST** Allakirjutanu kinnitab, et ülalnimetatud mudel on valmistatud kooskõlas järgmiste direktiivide ja normidega.
- LV** Ar šo tiek apliecināts, ka augstākminētais modelis ir izgatavots atbilstoši šādām direktīvām un standartiem.
- CZ** Niže podepsaný stvrzuje, že výše uvedený model byl vyroben v souladu s následujícími směrnici a normami.
- SLO** Spodaj podpisani potrjujem, da je zgoraj omenjeni model izdelan v skladu z naslednjimi smernicami in standardi.
- F** Je soussigné certifie que les modèles ci-dessus sont fabriqués conformément aux directives et normes suivantes.
- NL** Ondergetekende verzekert dat de bovengenoemde modellen geproduceerd zijn in overeenstemming met de volgende richtlijnen en standaards.
- FIN** Allekirjoittaja vakuuttaa että yllämainittu malli on tuotettu seuraavien direktiivien ja standardien mukaan.
- S** Undertecknad intygar att ovannämnda modell är producerad i överensstämmelse med följande direktiv och standarder.
- GR** Ο κάτωθι υπογεγραμμένος πιστοποιεί ότι η παραγωγή του προαναφερθέντος μοντέλου γίνεται σύμφωνα με τις ακόλουθες οδηγίες και πρότυπα.
- P** A presente assinatura serve para declarar que os modelos supramencionados são produtos em conformidade com as seguintes directivas e normas.
- LT** Toliau pateiktu dokumentu patvirtinama, kad minėtas modelis yra pagamintas laikantis nurodytų direktyvų bei standartų.
- PL** Niżej podpisany zaświadcza, że wymieniony powyżej model produkowany jest zgodnie z następującymi dyrektywami i normami.
- H** Alulírottak igazoljuk, hogy a fent említett modellt a következő irányelvek és szabványok alapján hoztuk létre.
- SK** Dolu podpísaný osvedčuje, že hore uvedený model sa vyrába v súlade s nasledujúcimi smernicami a normami.

EC Machinery Directive 98/37/EC
EC Low Voltage Directive 73/23/EEC, 93/68/EEC, 06/95/EEC
EC EMC Directive 89/336/EEC

EN 12100-1, EN 12100-2, EN 294, EN 349
EN 60335-1, EN 60335-2-67
EN 61000, EN 50366, EN 55012

3.30.2010

Year of Affixing the CE marking 2010

Don Legatt, Engineering Director
Nilfisk-Advance, Inc.
14600 21st Avenue North
Plymouth, MN 55447 USA

Nilfisk-Alto
Industrivej 1
9560 Hadsund, Denmark

Clarke[®]
American Sanders[®]

14600 21st Avenue North
Plymouth, MN 55447-3408

www.clarkeus.com

Phone: 800-253-0367

Fax: 800-825-2753

©2010 Nilfisk-Advance, Inc.