

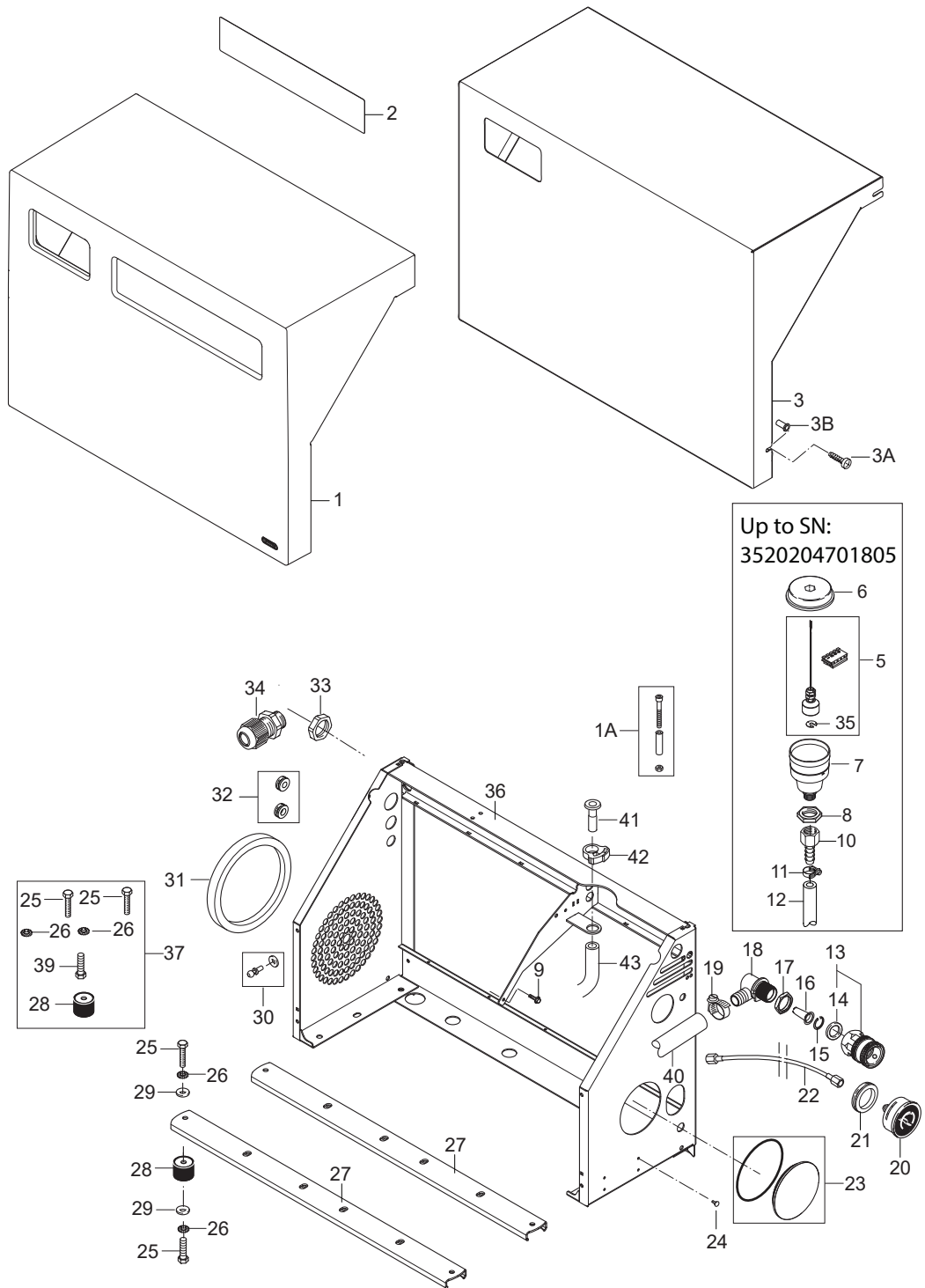
PARTS LIST



2021.11.11

TABLE OF CONTENTS

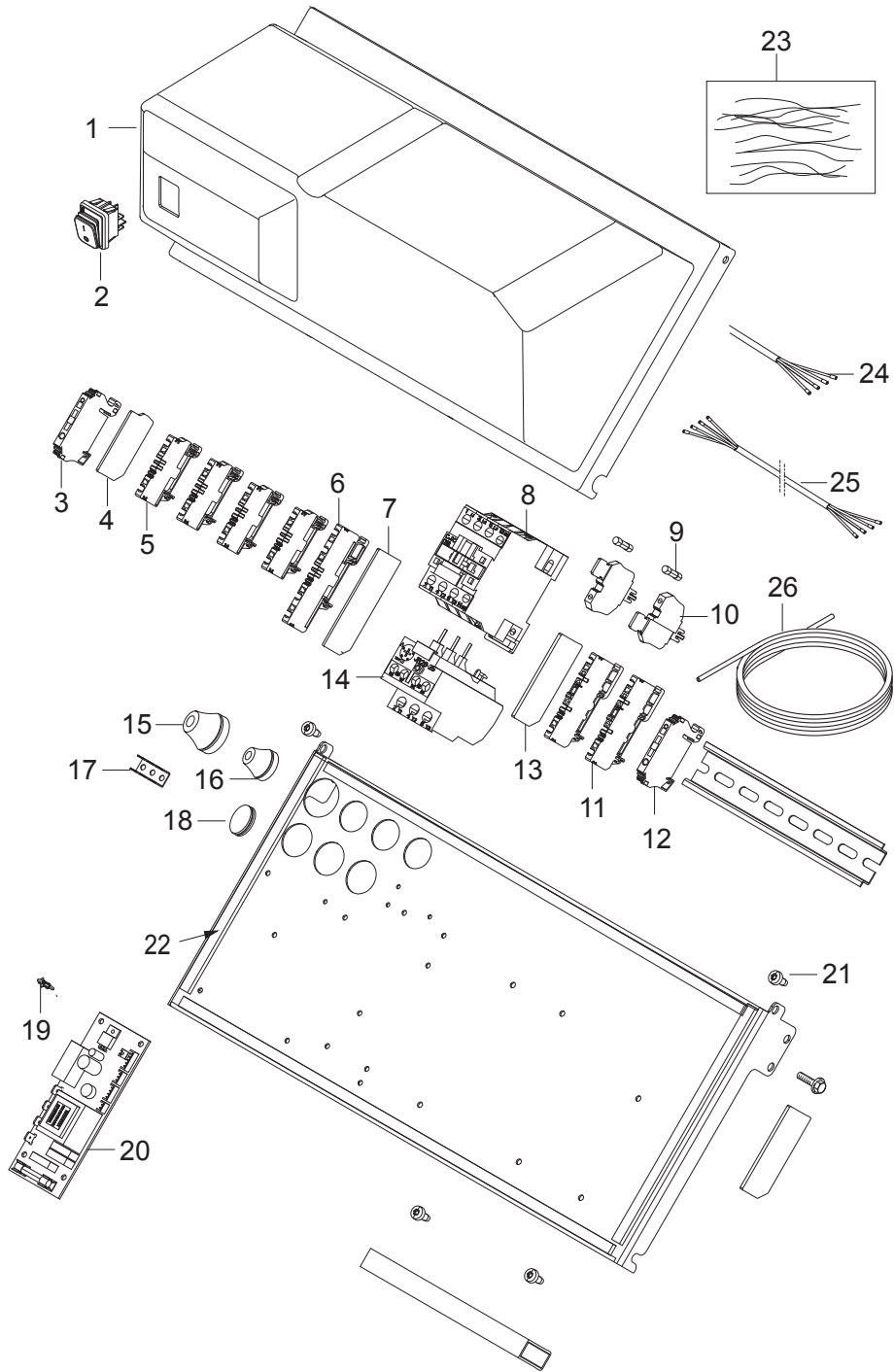
Overview_UNO.....	1
Electric box L_UNO.....	3
Electric box_UNO.....	5
Motor pump.....	8
Cylinder block.....	10
Unloader PA.....	12



No.	Part No.	Qty.	Description	Part Note
	31001229	1	OIL ISO 150 ALPHASYN-T 20L	
0	5218433	1	PUMP OIL 150 1*1 L	[1]
1	107307349	1	CABINET EPP	
1A	101118162	1	SCREW KIT FOR CABINET	
2	107307351	1	FRONTLABEL	[2]
2	107307373	1	FRONTLABEL UNITOR HPC STATIONARY 1P	
3	107307352	1	CABINET SS. UNO	
3A	107143307	4	SCREW M5X16 A2 ECO-FIX FORM H	
3B		4	Pop-nut M5 A2 WO/flange	
5	101118173	1	OIL SENSOR W/PLUG KIT	[3]
6	301000615	1	OIL TANK COVER	
7	301000614	1	OIL TANK	
8	101609356	1	NUT 1/2IN	
9	106268067	4	HEX FLANGE BOLT M6X20MM DIN7500 N	
10	107307313	1	HOSESTUD D10X3/8	
11	1805100	1	HOSE CLIP 8-22MM	
12	106408242	1	HOSE 5/8INCH - 2 METERS	
13	1602945	1	QUICK COUPLING 3/4	
14	3001237	1	GASKET Ø24.5XØ16X3	
15	107141667	1	LOCK WASHER	
16	101117926	1	FILTER	
17	1800341	1	LOCK NUT (1102760,1500070	
18	107141669	1	WATER INLET PIPE C3	
19	8298	1	HOSE CLIP	
20	107141648	1	MANOMETER 0-300 BAR	
21	103004331	1	SLEEVE PVC 45/ 60	
22	107307316	1	MANOMETER HOSE DN2.	
23	101118165	2	PLUG + O-RING KIT FOR FRAME UNO/DUO	
24	107307314	4	SNAP RIVET D12/D6	
25	1802909	8	SCREW HEX M8X16 A2 DIN 933	[4]
26	1810274	8	WASHER M8	
27	107307311	2	PROFIL M/P	
27	107307312	2	PROFIL M/P SS	
28	107307309	4	GUMMI METAL BUFFER D30X30	
29	1802917	8	WASHER M8	
30	101118164	1	PINS KIT FOR CABINET	
31	107307310	1	SEALING FOR MOTOR	
32	101118163	1	BLANKING PLUGS KIT FOR FRAME UNO/DU	
33	909100021	1	HEXAGON NUT M32X1.5	
34	103821837	1	CABLE BUSHING M32X1.5	
35	107142593	1	HOLDING WASHER PE	
36	107307376	1	FRAME PAINTED SC UNO 5M/6P/7P	
37	101118289	4	RUBBER MET. BUFFER D40X30 KIT SC UNO/DUO	[5]
39			Screw M8x45 A2 ISO4762	
40	107307337	1	HOSE 3/4INCH GREY MULTIFLEX AIR 20	
41	107307339	1	PLUG D 12.7MM PLASTIC	
42	107306462	1	HOSE SNAP CLIP Ø20-Ø22MM	
43	5206065	1	AIR PRESSURE HOSE 1/2	

Part Notes:

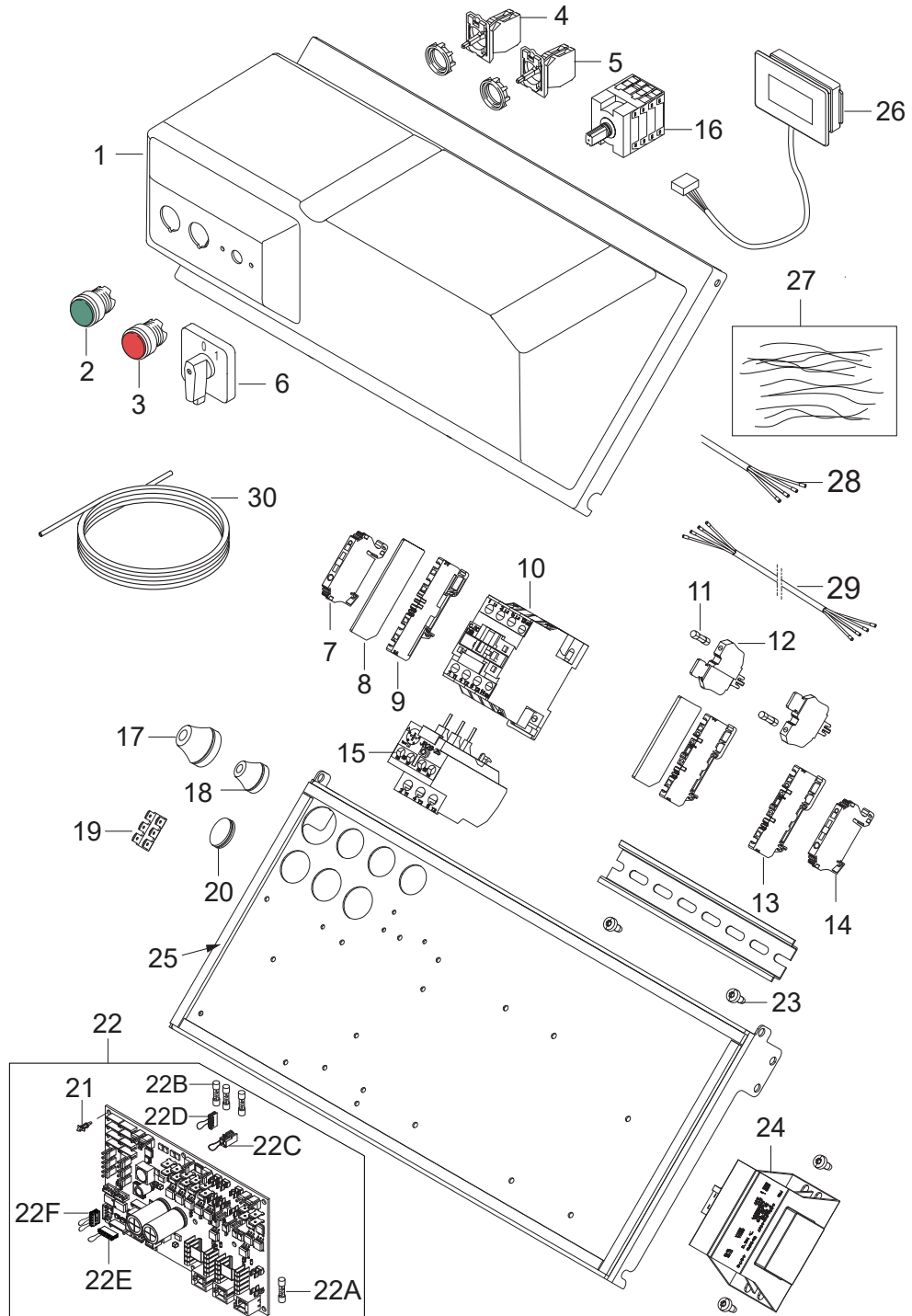
- [1] - 0,75L - OIL TYPES_QUANTITY for HPW_APRIL 2017
- [2] - Nilfisk
- [3] - MI 107309166 JST Connector
- [4] - TSB-PPW-2016-020 SC UNO-DUO 6P Motor bracket bolts can loosen
- [5] - TSB-PPW-2017-020 SC UNO_DUO Broken dampers between the pump and frame
- FR TSB-PPW-2017-020 SC UNO_DUO Casse des amortisseurs de la liaison moteur_chassis



No.	Part No.	Qty.	Description	Part Note
1	107307318	1	E-BOX COVER UNO 5M-L	
2	107404540	1	SWITCH 0-1 DOUBLE POLE	
3	107318193	1	END BRACKET FOR DIN-RAIL	
4	107307354	1	END PLATE PAP 2.5/4	
5	107307355	4	TERMINAL BLOCK PDU 2.5/4	
6	107307324	1	TERMINAL BLOCK PDU 2.5/4/4AN	
7	107307325	1	END PLATE PAP 2.5/4/4AN	
8	103822303	1	CONTACTOR CJX2-1810 N7	
9	107307323	2	FUSE D5X20 0.63A T 250V	
10	107307322	2	FUSE PLUG - SIHA 3/G20 - PTR 2.5/4	
11	107318227	2	TEST TERMINAL PUSH-IN P-SER. PTR 2.5/4	
12	107318193	2	END BRACKET FOR DIN-RAIL	
13	107307321	3	END PLATE PAP - PTR 2.5/4	
14	103822327	2	THERMAL RELAY 12-18AMP	[1]
15	3803798	1	RUBBER SEAL 14-20C	
16	3803780	3	RUBBER SEAL TE 10-14C	
17	107307326	1	EARTH CONNECTOR 6 PIN	
18	107318235	1	RUBBER PLUG 25 BLACK	
19	107307320	4	MINIATURE DOUBLE LOCKING. 7MM/3.5MM	
20	107141666	1	PCB POSEIDON 5-6-7	
21	107141690	6	SCREW M5X12 DIN7985	
22	107307330	1	DAFACELL 4X8MM ADHESIVE	
23	101118167	1	VARIOUS WIRES KIT FOR E-BOX UNO 400/3/50	
23	101118168	1	VARIOUS WIRES KIT FOR E-BOX UNO L 400/3/	
23	101118169	1	VARIOUS WIRES KIT FOR E-BOX UNO 440/3/60	
23	101118170	1	VARIOUS WIRES KIT FOR E-BOX DUO 400/3/50	
23	101118171	1	VARIOUS WIRES KIT FOR E-BOX DUO 440/3/60	
24		1	Power cord H07RN-F 4G2.5	
24		1	Power cord H07RN-F 4G6	
24		1	Power cord H07RN-F 4G10	
25	101118172	1	MOTORCABLES KIT SC UNO/DUO NA5/NA6/C3	

Part Notes:

[1] - TSB-PPW-2015-009 SC UNO_DUO Thermal Relay Setting



No.	Part No.	Qty.	Description	Part Note
1	107307319	1	E-BOX COVER UNO/DUO	
2	103821823	1	SIGNAL LIGHT ATTACHMENT G	
3	103821824	1	SIGNAL LIGHT ATTACHMENT	
4	103821825	1	SOCKET OF INDICATOR-MAKE	
5	103821826	1	SOCKET OF INDICATOR-BRAKE	
6	103821849	1	HANDLE F SWITCHING CONTACT UNO	
7	107307325	1	END PLATE PAP 2.5/4/4AN	
8	107307321	3	END PLATE PAP - PTR 2.5/4	
9	107307324	2	TERMINAL BLOCK PDU 2.5/4/4AN	
10	103822306	1	CONTACTOR CJX2-D18-B7 24V	[1]
10	103822313	1	CONTACTOR 12-25A	[2]
10	103822317	1	CONTACTOR CJX2-D32 32A	[3]
11	107307323	2	FUSE D5X20 0.63A T 250V	
12	107307322	2	FUSE PLUG - SIHA 3/G20 - PTR 2.5/4	
13	107318227	2	TEST TERMINAL PUSH-IN P-SER. PTR 2.5/4	
14	107318193	2	END BRACKET FOR DIN-RAIL	
15	103822327	2	THERMAL RELAY 12-18AMP	[4]
15	103822328	2	THERMAL RELAY 17-25AMP	[4]
15	103822329	2	THERMAL RELAY 23-32AMP	[4]
16	103821839	1	SWITCHING CONTACT UNO	
17	3803798	1	RUBBER SEAL 14-20C	
18	3803780	3	RUBBER SEAL TE 10-14C	
19	107307326	1	EARTH CONNECTOR 6 PIN	
20	107318235	1	RUBBER PLUG 25 BLACK	
21	107307320	8	MINIATURE DOUBLE LOCKING. 7MM/3.5MM	
22	101118236	1	PCBA NEO PLATFORM 13 SC	[5]
22A	31001190	1	FUSE 6.3A 5X20 MM 250V	
22B	15846	3	FUSE T 2.5 A	
22C	107146536	1	JUMPER JST VHR 2 POLE 1-2	
22D	107146537	1	JUMPER JST EHR 4 POLE 2-4	
22E	107146538	1	JUMPER JST EHR 2 POLE 1-2	
22F	107146539	1	JUMPER JST EHR 4 POLE 1-2 AND 3-4	
24	107307331	1	TRAFO 40VA PR 230-400-440.SEC1+2 24VAC	
23	107141690	6	SCREW M5X12 DIN7985	
25	107307330	1	DAFACELL 4X8MM ADHESIVE	
26	107307329	1	PCBA HOUR COUNTER DISPLAY	
27	101118167	1	VARIOUS WIRES KIT FOR E-BOX UNO 400/3/50	
27	101118168	1	VARIOUS WIRES KIT FOR E-BOX UNO L 400/3/	
27	101118169	1	VARIOUS WIRES KIT FOR E-BOX UNO 440/3/60	
27	101118170	1	VARIOUS WIRES KIT FOR E-BOX DUO 400/3/50	
27	101118171	1	VARIOUS WIRES KIT FOR E-BOX DUO 440/3/60	
28		1	Power cord H07RN-F 4G2.5	
28		1	Power cord H07RN-F 4G6	
28		1	Power cord H07RN-F 4G10	
29	101118172	1	MOTORCABLES KIT SC UNO/DUO NA5/NA6/C3	
29	101118179	1	MOTORCABLES KIT FOR SC UNO/DUO NA6+	[6]
30	31001016	1	REMOTE/JUNCTION BOX CABLE 25 M	

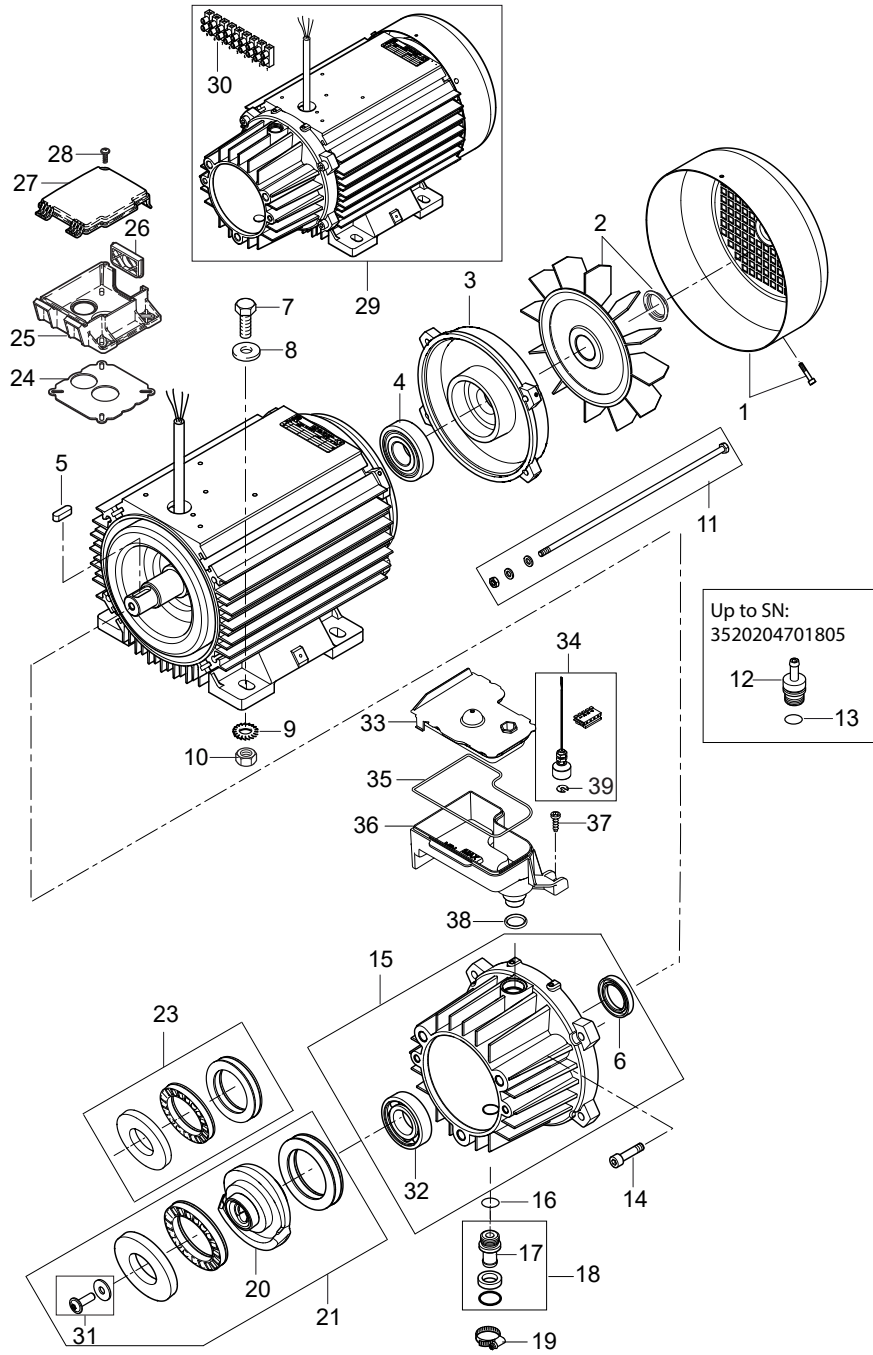
Part Notes:

- [1] - Uno 5M-200/1050, Uno 6P-170/1610, Uno 7P-180/1200, Duo 6P-170/3220, Duo 7P-180/2400
- [2] - Uno 6P-200/1900, Uno 6P-160/2500, Duo 6P-200/3800, Duo 6P-160/5000
- [3] - Option 230/3/50 conversion kit
- [4] - TSB-PPW-2015-009 SC UNO_DUO Thermal Relay Setting
DE TSB-PPW-2015-009 SC UNO DUO Einstellung thermischer Motorschutzschalt...
- [5] - TSB-PPW-2016-001 Remote Control failure on SC UNO_DUO

TSB-PPW-2017-007 SC UNO_SC DUO new circuit board 101118236

DE TSB-PPW-2017-007 SC UNO SC DUO neue Platine 101118236

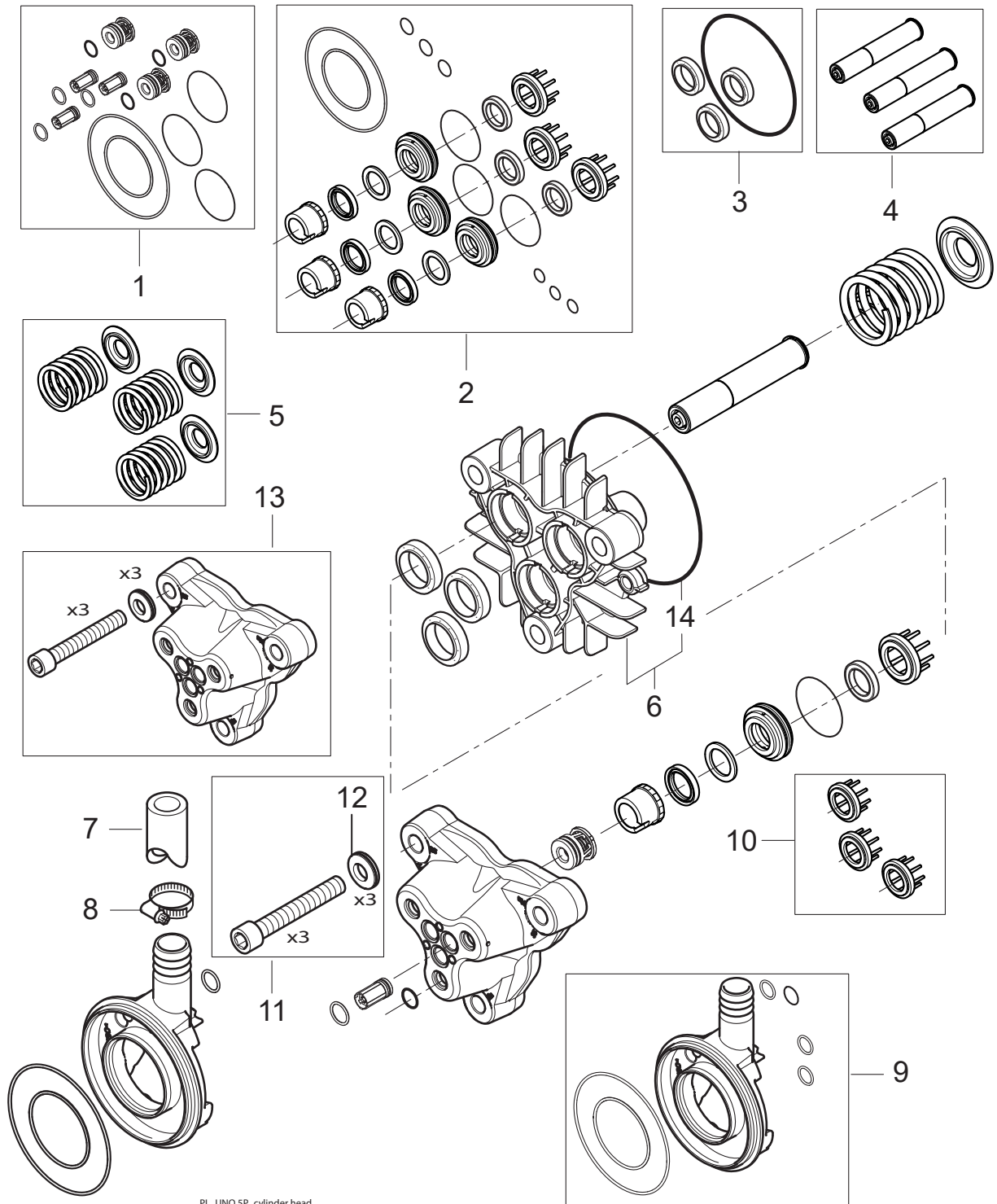
[6] - Only for NA6 +



No.	Part No.	Qty.	Description	Part Note
	31001229	1	OIL ISO 150 ALPHASYN-T 20L	
0	5218433	1	PUMP OIL 150 1*1 L	
1	107144126	1	FAN COVER RF	
2	107144125	1	FAN W LOCK RING RF	
3	31000148	1	REAR BEARING COVER RF	
4	31000149	1	REAR BEARING RF	
5	19639	1	PARALLEL KEY A 8X7X25	
6	G120414	1	OIL TIGHTENING RING	
7	8927	7	HEXAGON HEAD CAP SCREW M10X 35 ISO 4017	
8	107307315	4	PLAIN WASHER 10.5X22X1.25	
9	10204	4	SERRATED LOCK WASHER A10	
10	1800465	4	NUT M10 REPLACES 1101240	
11	31000505	1	STAY BOLT M8X290 RF	
11	31000504	1	STAY BOLT M8X265 RF	
12	107307507	1	FITTING FOR OIL	[1]
13	107140882	1	O-RING 15.0 X 3.0 SMS	[1]
14	2751	4	HEX. SCREW M8X35 ISO 4017 ZN	
15	107141967	1	D-BEARING COVER	
16	3004221	1	O-RING 16X2 NITRIL 70 SHO	
17	106268023	1	HOSE TAIL OIL KIT	
18	101118174	1	FITTING FOR OIL KIT FOR NA5.2 PA	
19	1805100	1	HOSE CLIP 8-22MM	
20	107141965	1	WOBBLE DISC 10.9 DEG.	
21	101118242	1	WOBBLE DISC 10.9 DEG.	
22	107141502	1	SCREW M8 X 20 DIN 7991	
23	101118240	1	BEARING KIT FA & PA -	
24	301000845	1	GASKET FOR ELECTRIC BOX	
25	301000781	1	ELECTRIC BOX	
26	17106	1	INSET	
27	301000782	1	COVER ELEC.BOX 128,2X	
28	10028	1	SCREW KA50X14 WN1411	
29	107141954	1	MOTOR 5.5 KW 220/230-400/440/3/50/60 EU	
30	101117839	1	TERMINAL PLUG AND	
31	107142658	1	NA5.2 WD SCREW AND WASHER	
32	107144817	1	BEARING KBC 6206 GB/T818	
33	107140877	1	OIL CONTAINER TOP	
34	101118173	1	OIL SENSOR W/PLUG KIT	
35	101406054	1	SPONGE RUBBER Ø 4 1M	
36	107140879	1	OIL CONTAINER BOTTOM	
37	107140881	1	SCREW M5X12 DIN 7985 TORX	
39	107142593	1	HOLDING WASHER PE	
38	107140882	1	O-RING 15.0 X 3.0 SMS	

Part Notes:

[1] - Up to SN: 3520204701805



No.	Part No.	Qty.	Description	Part Note
1	101118121	1	VALVE KIT - NA5	
2	101118323	1	WATER SEAL KIT NA5	[1]
3	107144102	1	OIL SEAL KIT - NA5	
4	101118239	1	PISTON KIT - NA5.2	
5	107144104	1	SPRING KIT - NA5	
6	107141983	1	CYLINDER BLOCK W/O-RING	
7	107307337	1	HOSE 3/4INCH GREY MULTIFLEX AIR 20	
8	8298	2	HOSE CLIP	
9	101118078	1	WATER INLET KIT FOR NA5	
10	107140919	1	SUPPORT RING NA5 SPARE	
11	107141968	1	CYL.SCREW M12X80 WITH	
12	107141969	3	WASHER NLX12SP	
13	107141985	1	CYLINDER HEAD NA5.2 W.	
14	107141512	1	O-RING D114 X D1.78 NBR	

Part Notes:

- [1] - TSB-PPW-2020-003 NA5 pump THRUST COLLAR changed
DE TSB-PPW-2020-003 NA5 Pumpe - Änderung der Druckringe

No.	Part No.	Qty.	Description	Part Note
1	101118091	1	UNLOADER SPRING REP. KIT-PAINTED NA5 PA	
2	101118090	1	MICROSW. ACTIVATION	
3	101118084	1	MICROSWITCH BOX W/O	
4	107141515	3	SCREW M3X8 ISO7380 FZG TORX 10	
5	301002754	1	MICRO-SWITCH	
6	107140932	1	UNLOADER PA NA5 W/O WATERREG./DETERG.	
7	107144137	1	UNLOADER PLUG NA5	
8	5100	3	SCREW M6X45 ISO 4762	
9	107141514	1	O-RING D4 X D1.5 NBR 90	
10	101118294	1	STEM + SEALING REP. KIT NA5/5.2/6/6+ PA	
11	101118083	1	SEAL KIT FOR STEM FOR	
12	101118295	1	BYPASS VALVE REP. KIT NA5.2 PA	
13	101118254	1	HOLDING PRESS.V.REP.	
14	63090	1	ACCUMULATOR NEPTUNE 5/7	
15	1801075	3	PACKING RING	
16	107307334	1	FITTING FOR ACCUMULATOR	
17	101609393	1	V-CONNECTION 6 1/8	
18	107307387	1	OUTLET FITTING	
19	8894	2	SCREW M8 x 20 8.8DIN	
20	106268117	1	FITTING FOR OUTLET	
21	1600493	1	Nippel F. Q-COUPL. 3/8	
21	1603101	1	QUICK COUPLING NIPPLE 03K	

