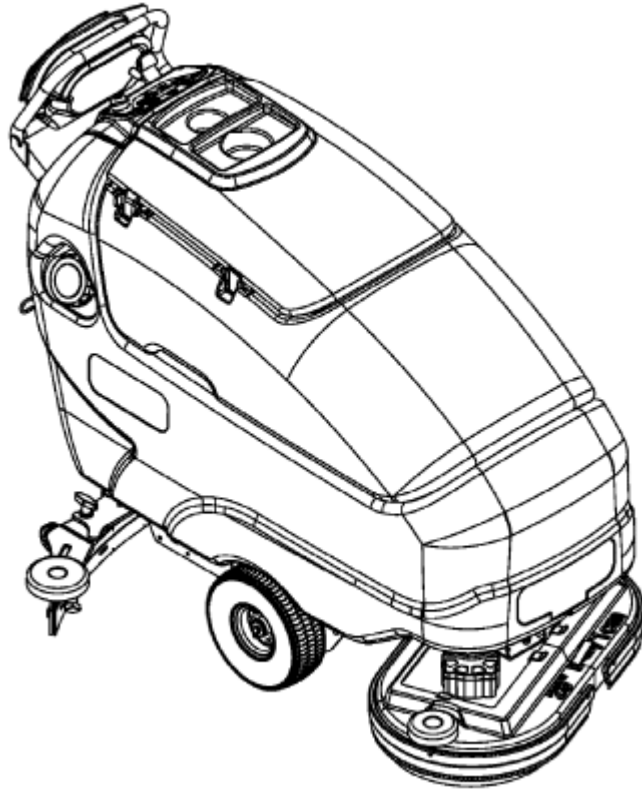


SC 800

Model:
SC800 71 NIL
SC800 71C NIL
SC800 86 NIL



Part List US-English

21-01-2015

Table of Contents

SC 800

Chassis System (Disk)	3
Chassis System (Cylindrical)	6
Control System	9
Decal System	11
Electrical System	13
Recovery System	16
Scrub System (Disk)	18
Scrub System (Cylindrical)	21
Solution System	23
Squeegee Assembly	25
Scqueegee System	27
Ladder Diagram	29
Optional Kits and Accessories	31
Brush Selector Guide - Disk	33
Brush Selector Guide - Cylindrical	35
Ladder Diagram After June 2014	37
RECOMMENDED SPARE PARTS	39
56112245 - Onboard Charger Kit-EU	42
Power cord bracket	44
56112140 - Wet Floor Sign Holder Kit	46
56112221 - Parking Brake Kit	48
56112265 - Kit, 26" Disc Deck 24V	50
56112266 - Kit, 28" Disc Deck 24V	52
56112267 - Kit, 28" Cylindrical Deck 24V	54
56112279 - Kit, 34" Disc Deck 24V	56
56112280 - Kit, 32" Cylindrical Deck 24V	58
56112138 - Laser Kit	60
56112141 - Vacuum Wand with Tote Bag Kit	62
56112244 - Chemical Injection Kit	64
56112351/56112352 - Control Panel Kits	66
56383384 - POWER CORD BRACKET KIT	68

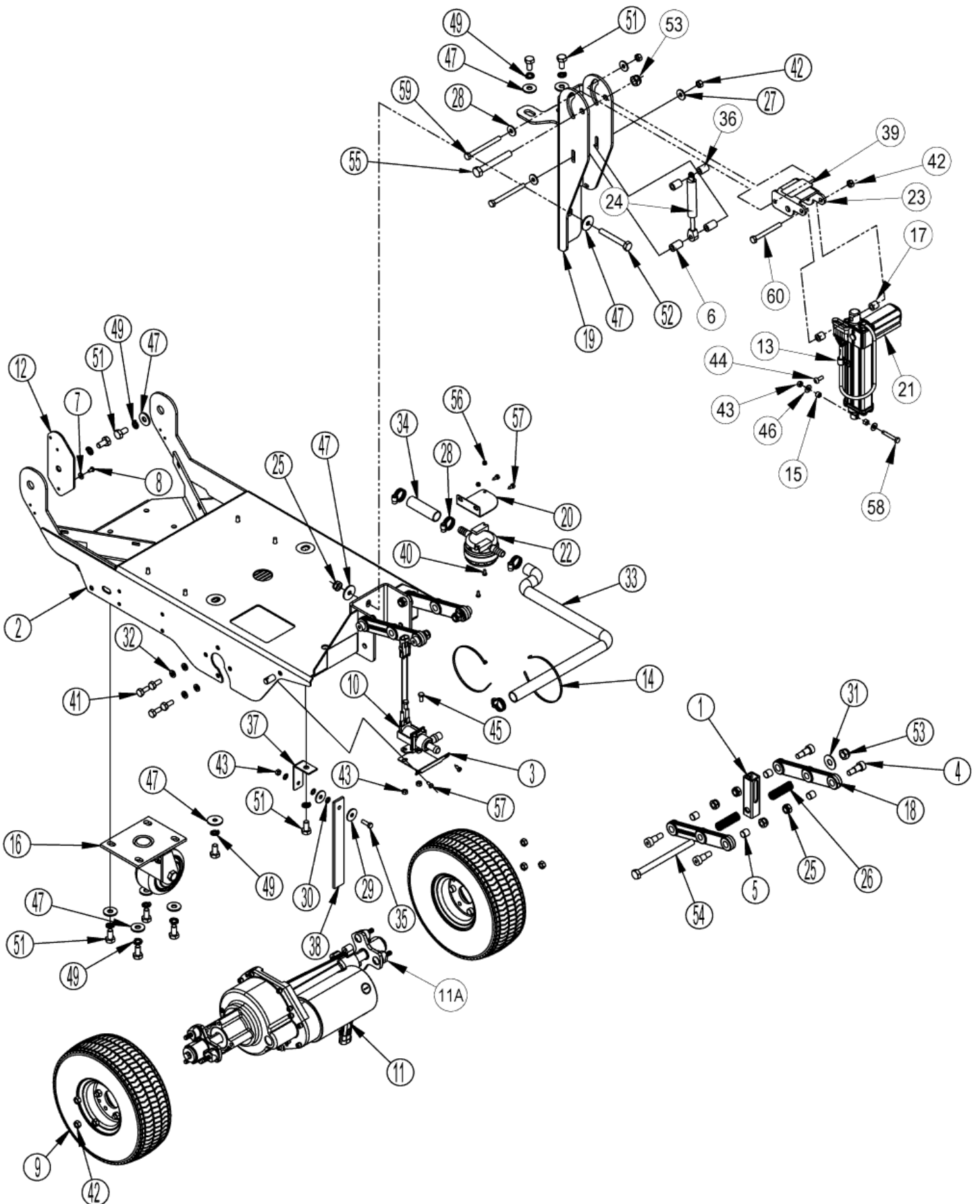
Chassis System (Disk)

SC 800

21-01-2015

Part List ID
SC80005

3



Chassis System (Disk)

SC 800

21-01-2015

Part List ID
SC80005

4

Pos	Part no.	Qty	Description
1	56109717	1	TUBE JACK MOTOR
2	56112765	1	CHASSIS WELDT
3	61932A	1	PLATE SOLUTION SYSTEM SUPPORT
4	88617A	8	SCREW SHOULDER M10-1.5XM12X16M
5	56112548	8	BUSHING
6	909 6113 000	2	SPACER 8.2X15X24
7	56001954	1	WSH FLT SAE 10
8	56009030	1	SCR PAN PHIL THD FOM 10-24X38
9	56112109	2	TIRE
10	56112147	1	SOLENOID VALVE ASSY
11	56112543	1	TRANSAXLE
12	56112768	1	CONNECTOR BRKT
13	56323260	1	CLAMP CABLE
14	56478523	1	CABLE TIE E00549
15	146 2258 000	2	SPACER 6.1X10X6.5
16	56112308	1	CASTER-SWIVEL 4.00 X 2.00
17	909 6112 000	2	SPACER 8.2X15X14
18	9097197000	4	LEVER
19	9097368000	1	SUPPORT DECK LIFTING
20	9097370000	1	PLATE SUPPORT FILTER
21	40280A	1	ACTUATOR BOOST 32
22	9099481000	1	NET WATER FILTER REINFORCED
			for 9100000362
22	9100000362	1	FILTER WATER
			TSB-FC-2013-127
23	9097456000	1	LEVER
24	54689A	1	GAS SPRING 500N
25	80223A	9	NUT M10-1.5 NYLOCK
26	E04016	2	SPRING
27	170860	4	WASHER FLT 5/16 PLTD
28	722030	4	CLAMP HOSE 6
29	980205	2	WASHER .312 ID/1.06 OD/.075THK
30	980614	3	WASHER LK 1/4 EXT TOOTHPLTD
31	980648	1	WASH-17/32 ID X 1 1/16 OD PLN
32	980652	8	WASHER LK 5/16 REGPLTD
33	30828A	1	HOSE
34	30829A	1	HOSE
35	56003942	1	SCR-HEX SS M6-1 X 20MM
36	61937A	2	SPACER
37	61949A	1	BRACKET GROUND STRAP
38	69639A	1	STATIC STRAP FUSION
39	71017A	1	LABEL MOVING PARTS
40	80057A	2	SCREWM4-.7X10 PN PHILLIP SS
41	80183A	8	BOLT M8-1.25 X 20MM HEX
42	80198A	9	NUT M8-1.25 HEX NYLON S.S.

Chassis System (Disk)

SC 800

21-01-2015

Part List ID
SC80005

5

Pos	Part no.	Qty	Description
43	80199A	4	NUT M6-1 HEX NYLON LOCK S.S.
44	80208A	1	SCREW M6-1 X 10MM P.P.HD
45	56003211	2	SCR HEX HD SS M6-1.0 X 12MM
46	87026A	2	WASHER .250 FLAT SS
47	87054A	10	WASHER FENDER .375
49	88612A	10	WASHER M10 LOCK
51	88614A	10	SCREW M10-1.5 X 20MM HEX
52	88616A	1	SCREW M10-1.5 X 75MM HEX
53	88618A	2	NUT M12-1.75 NYLOCK INSERT
54	88619A	1	SCREW M12-1.75X160MM HEX ZINC
55	88620A	1	SCREW M12-1.75 X 90MM HEX
56	88623A	2	NUT M4-.7 NYLON INSERT
57	88624A	4	SCREW M5 X 12MM HEX TRILOBE
58	88626A	1	SCREW M6-1 X 40MM HEX
59	56003390	2	SCR HEX M8X1.25X90MM
60	88635A	1	SCREW M8-1.25 X 75MM HEX
11A	40628A	4	BRUSH CARBON MOTOR (for 56112543)
11A	56380158	2	FLANGE KIT (for 56112543)
11A	56382670	1	KIT TRANSAXLE MOTOR (for 56112543) (M1)

Chassis System (Cylindrical)

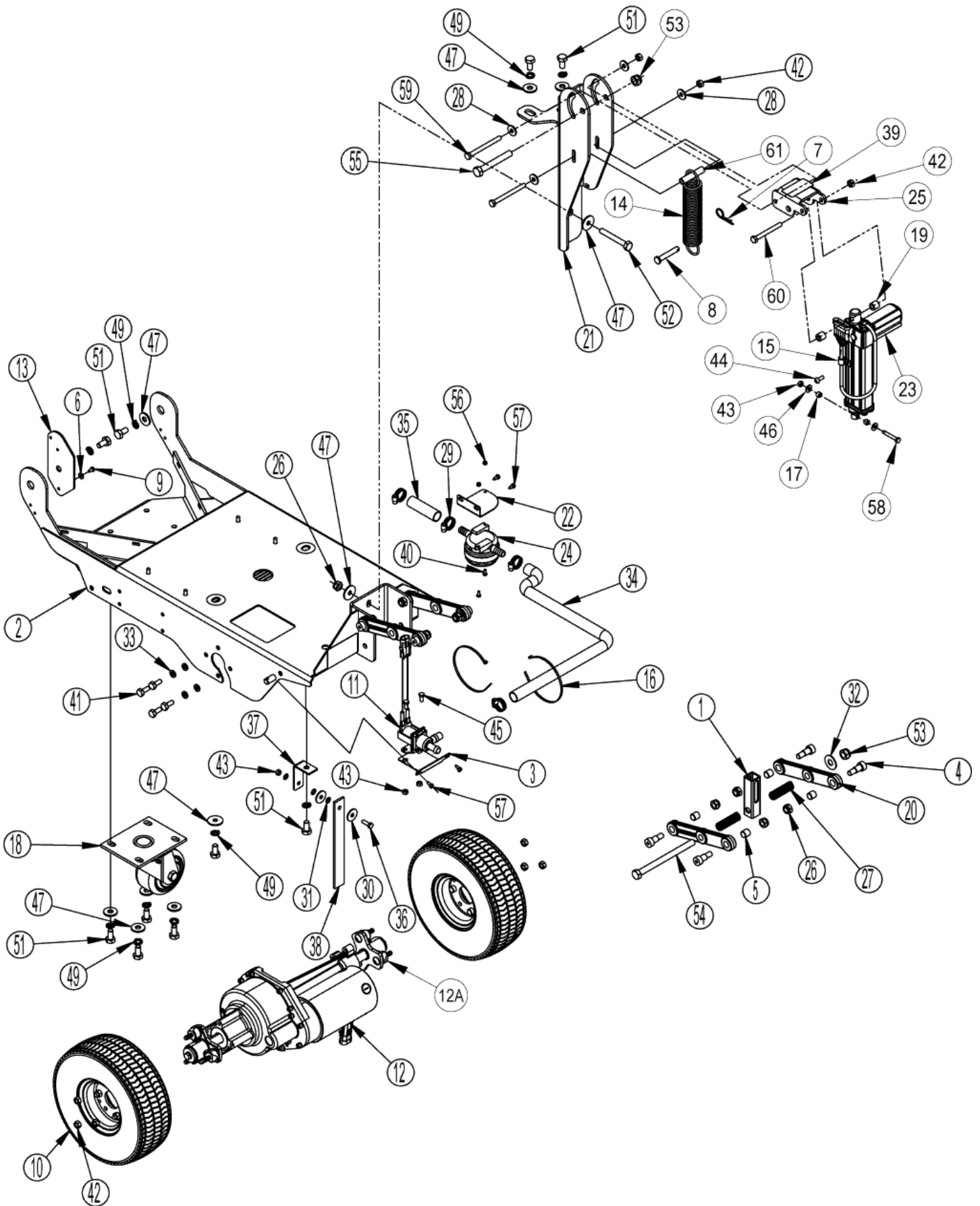
SC 800

21-01-2015

Part List ID

SC80007

6



Chassis System (Cylindrical)

SC 800

21-01-2015

Part List ID SC80007

7

Pos	Part no.	Qty	Description	
1	56109717	1	TUBE JACK MOTOR	
2	56112765	1	CHASSIS WELDT	
3	61932A	1	PLATE SOLUTION SYSTEM SUPPORT	
4	88617A	8	SCREW SHOULDER M10-1.5XM12X16M	
5	56112548	8	BUSHING	
6	56001954	1	WSH FLT SAE 10	
7	56002959	1	PIN COT HAIR SS.090XDIA.50/.75	
8	56003656	1	CLEVIS PIN .375 X 2.25	
9	56009030	1	SCR PAN PHIL THD FOM 10-24X.38	
10	56112109	2	TIRE	
11	56112147	1	SOLENOID VALVE ASSY	L1
12	56112543	1	TRANSAXLE	
13	56112768	1	CONNECTOR BRKT	
14	56422075	1	SPRING EXTENSION	
15	56323260	1	CLAMP CABLE	
16	56478523	1	CABLE TIE E00549	
17	146 2258 000	2	SPACER 6.1X10X6.5	
18	56112308	1	CASTER-SWIVEL 4.00 X 2.00	
19	909 6112 000	2	SPACER 8.2X15X14	
20	9097197000	4	LEVER	
21	9097368000	1	SUPPORT DECK LIFTING	
22	9097370000	1	PLATE SUPPORT FILTER	
23	40280A	1	ACTUATOR BOOST 32	
24	9099481000	1	NET WATER FILTER REINFORCED	(for 9100000362
24	9100000362	1	FILTER WATER	TSB-FC-2013-127
25	9097456000	1	LEVER	
26	80223A	9	NUT M10-1.5 NYLOCK	
27	E04016	2	SPRING	
28	170860	4	WASHER FLT 5/16 PLTD	
29	722030	4	CLAMP HOSE 6	
30	980205	2	WASHER .312 ID/1.06 OD/.075THK	
31	980614	3	WASHER LK 1/4 EXT TOOTHPLTD	
32	980648	1	WASH-17/32 ID X 1 1/16 OD PLN	
33	980652	8	WASHER LK 5/16 REGPLTD	
34	30828A	1	HOSE	
35	30829A	1	HOSE	
36	56003942	1	SCR-HEX SS M6-1 X 20MM	
37	61949A	1	BRACKET GROUND STRAP	
38	69639A	1	STATIC STRAP FUSION	
39	71017A	1	LABEL MOVING PARTS	
40	80057A	2	SCREWM4-.7X10 PN PHILLIP SS	
41	80183A	8	BOLT M8-1.25 X 20MM HEX	
42	80198A	9	NUT M8-1.25 HEX NYLON S.S.	

Chassis System (Cylindrical)

SC 800

21-01-2015

Part List ID
SC80007

8

Pos	Part no.	Qty	Description
43	80199A	4	NUT M6-1 HEX NYLON LOCK S.S.
44	80208A	1	SCREW M6-1 X 10MM P.P.HD
45	56003211	2	SCR HEX HD SS M6-1.0 X 12MM
46	87026A	2	WASHER .250 FLAT SS
47	87054A	10	WASHER FENDER .375
49	88612A	10	WASHER M10 LOCK
51	88614A	10	SCREW M10-1.5 X 20MM HEX
52	88616A	1	SCREW M10-1.5 X 75MM HEX
53	88618A	2	NUT M12-1.75 NYLOCK INSERT
54	88619A	1	SCREW M12-1.75X160MM HEX ZINC
55	88620A	1	SCREW M12-1.75 X 90MM HEX
56	88623A	2	NUT M4-.7 NYLON INSERT
57	88624A	4	SCREW M5 X 12MM HEX TRILOBE
58	88626A	1	SCREW M6-1 X 40MM HEX
59	56003390	2	SCR HEX M8X1.25X90MM
60	88635A	1	SCREW M8-1.25 X 75MM HEX
61	56112520	1	SPACER
12A	40628A	4	BRUSH CARBON MOTOR (for 56112543)
12A	56380158	2	FLANGE KIT (for 56112543)
12A	56382670	1	KIT TRANSAXLE MOTOR (for 56112543) (M1)

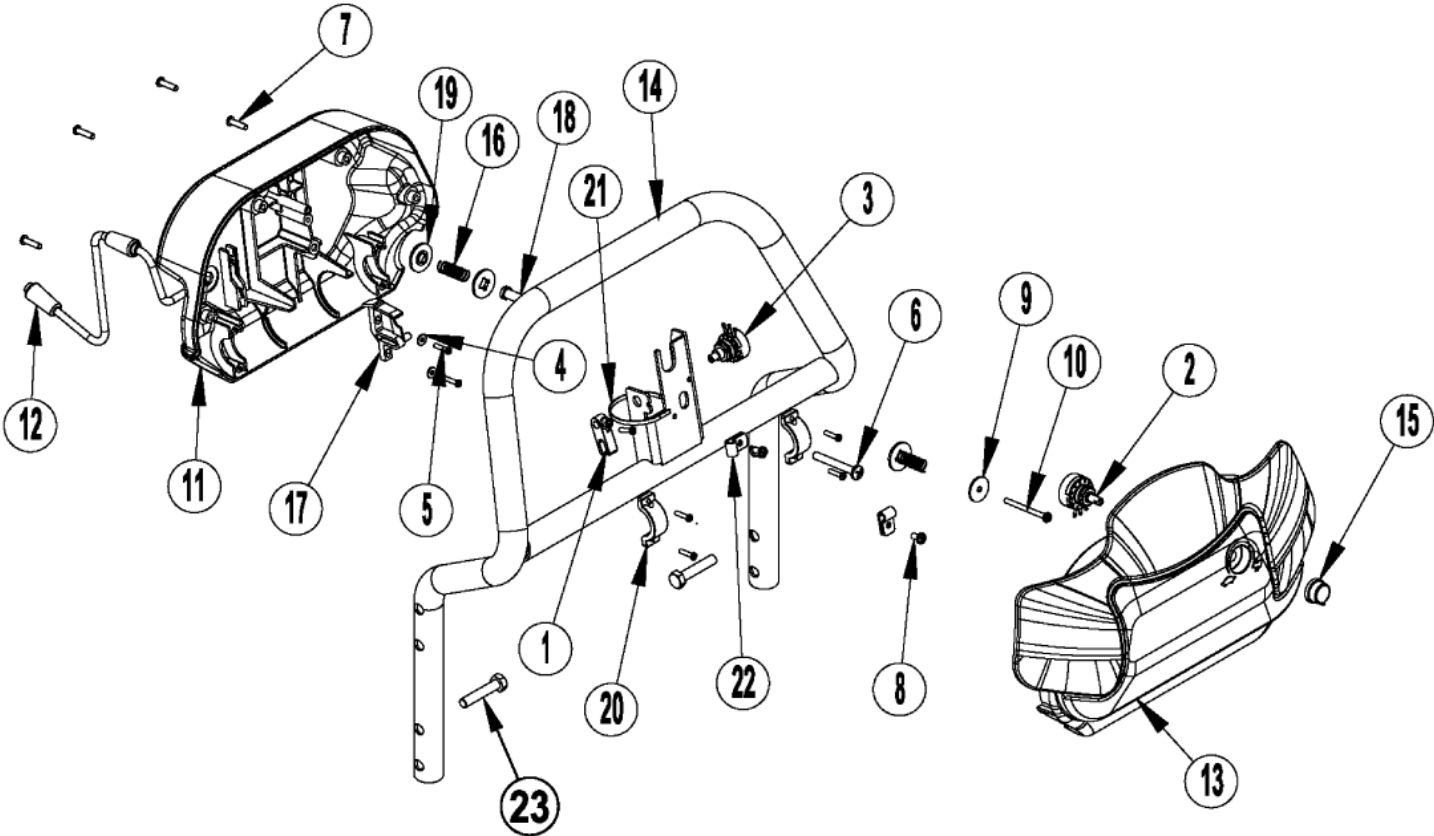
Control System

SC 800

21-01-2015

Part List ID
SC80008

9



Control System

SC 800

21-01-2015

Part List ID SC80008

10

Pos	Part no.	Qty	Description	
0	56112218	1	PADDLE ASSY	(1-22) Only used on machines before serial number
0	56383361	1	PADDLE-ASSY	(1-22) Only used on machines after serial number 4
1	56109648	1	POTENTIOMETER FORK	
2	56396197	1	POTENTIOMETER 100K	R2
3	56397029	1	POTENTIOMETER 5K	R1
4	56002006	2	WSH FLT SAE 6	
5	56003197	7	SCR PAN PHIL PLASTITE 6-18X.62	
6	56003527	1	SCR PAN PHIL PLAS 1/4 10X2.0	
7	56003545	4	SCR PAN PHIL PLASTITE8 10X.75	
8	56009030	2	SCR PAN PHIL THD FOM 10-24X.38	
9	56009096	1	WSH FLT .193X.875X.060	
10	56009287	1	SCR PAN PHIL TYPE B 8 x 2.00	
11	56109716	1	PADDLE-BACK COVER	
12	56112179	1	HARNESS-PADDLE	Only used on machines before serial number 4000068
12	56383358	1	HARNESS-PADDLE	Only used on machines after serial number 40000687
13	56315230	1	PADDLE FRONT COVER	
14	56112767	1	WELDMENT-HANDLE BAR	
15	56315280	1	KNOB	
16	56325654	2	SPRING	
17	56397015	1	CAM CONTROLLER	
18	56397109	1	SLEEVE	
19	56397170	3	WSH PLASTIC	
20	56397171	2	CLAMP	
21	56478246	1	CABLE TIE E00549 RE438BA	
22	56481890	2	CLAMP CABLE .250 E00129	
23	56002094	4	SCR HEX 5/16-18 X 1.50	

NOTE 1: Only used on machines before serial number 4000068715.

NOTE 2: Only used on machines after serial number 4000068714.

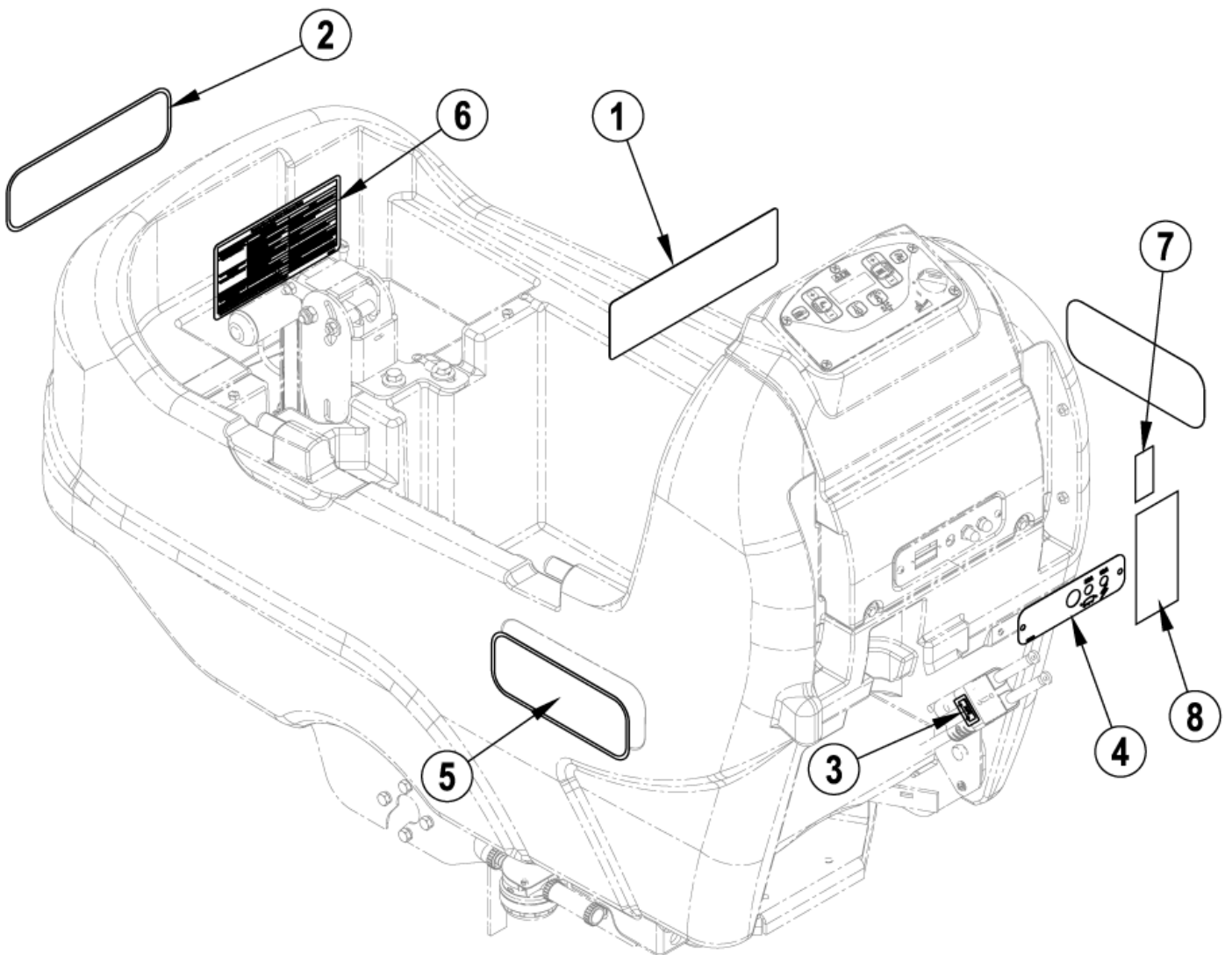
Decal System

SC 800

21-01-2015

Part List ID SC80009

11



Decal System

SC 800

21-01-2015

Part List ID
SC80009

12

Pos	Part no.	Qty	Description
1	56014601	1	DECAL CAUTION
2	56016731	1	DECAL NILFISK
3	56054192	1	DECAL CHARGER WCA398K
4	56112168	1	DECAL-CIRCUIT BREAKER
5	56112531	2	DECAL-NILFISK SC800
5	56112532	2	DECAL-NILFISK SC800 ECOFLEX
6	56112292	1	DECAL-ERROR CODES
7	71362A	1	LABEL NFSI
8	56112539	1	DECAL-WARNING/WIRING

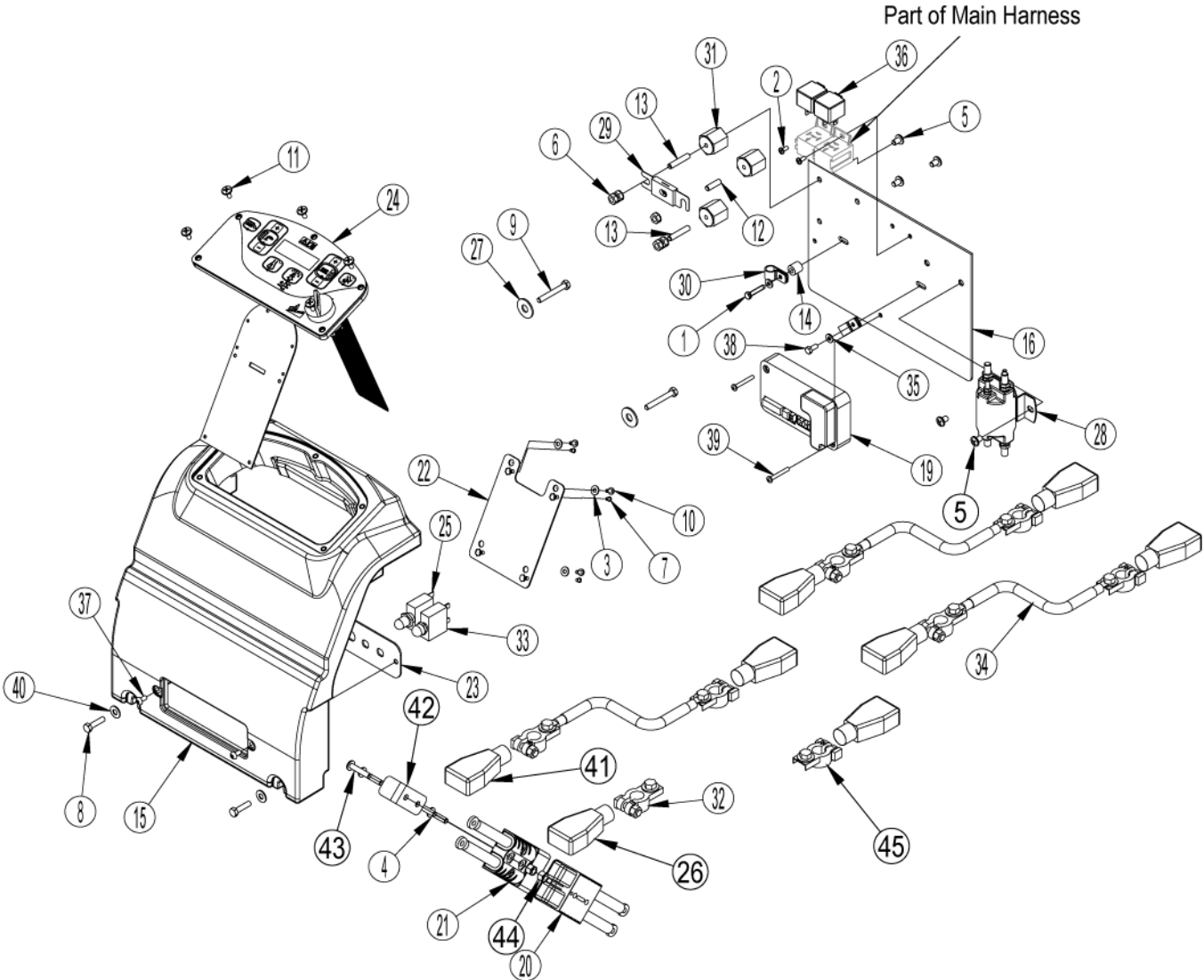
Electrical System

SC 800

21-01-2015

Part List ID
SC80011

13



Electrical System

SC 800

21-01-2015

Part List ID
SC80011

14

Pos	Part no.	Qty	Description	
1	33003964	1	SCREW M5X25 UNI5739	
2	56001818	2	SCR PAN PHIL 8 32 X .38	
3	56002140	4	WASHER FLAT SAE 8 ZINC PLAT	
4	56002292	2	SCR PAN PHIL 1/4-20 X 1.00	
5	56002462	5	SCR PAN PHIL 1/4-20 X .38	
6	56002561	5	NUT HEX W/SHRPF 1/4/20	
7	56003336	4	SCR PAN PHIL BLK 6 32 X .19	
8	56003430	2	SCR HEX SS M6-1.00X25MM	
9	56003631	2	SCR HEX M6 1.0 X 45MM	
10	56003653	4	SCR PAN PHIL M4-0.7 X 8MM	
11	56003808	5	SCR-TRUSS PHIL BLK M5-0.8X12MM	
12	56009020	1	STUD 1/4 20 X .88	
13	56009203	2	STUD 1/4-20X1.31	
14	56046309	1	SPACER PHENOLIC	
15	56112112	1	CONTROL PANEL	
16	56112115	1	ELECTRICAL PANEL	
17	56112169	1	CABLE-JUMPER	
18	56112174	1	HARNESS-MAIN	Only used on machines before serial number 4000068
18	56383891	1	HARNESS-MAIN	Only used on machines after serial number 40000687
19	56112187	1	SPEED CONTROLLER 70A 24V	(A2)
20	56112188	1	HARNESS-CONNECTOR BATTERY	
21	56112189	1	HARNESS-CONNECTOR PANEL	
22	56112535	1	BRACKET-PCB MOUNT	
23	56112540	1	PLATE-CIRCUIT BREAKER	Circuit Breaker Plate 56112122 is obsolete and has
23	56383359	1	PLATE-CIRCUIT BREAKER	Only used on machines after serial number 40000687
24	56112253	1	KIT-INTERFACE PANEL	(MEMBRANE SWITCH, MEMBRANE PANEL, GASKET)
24	56112351	1	KIT-AXP CONTROL BOARD	
24	56303526	1	KEY REPLACEMENT SET OF 2	(FOR 56303553)
24	56303553	1	KEY SWITCH ASSEMBLY	
25	56315256	1	CIRCUIT BREAKER 30 AMP	(CB1)
26	2-00-05173	4	BAT TERMINAL COVER BLK	
27	56385358	2	WSH FLT ZN .392 CL267B E00458	
28	56397088	1	CONTACTOR 24V SPDT	(K2)
29	56412089	1	FUSE 150 AMP	(F1)
30	56442011	2	CLAMP CABLE .438 E00129	
31	56469858	3	ELECTRICAL MOUNT	
32	L08812064	4	CLAMP BATTERY MINUS	
33	56507644	1	CIRCUIT BREAKER 10 AMP	(CB2)
34	56409485	3	CABLE ASSY.1 X 15.00	
35	980643	2	WASHER 7/16ODX.036THK	
36	41075A	2	RELAY	
37	80193A	2	SCREW M5-0.8 X 10MM P.P.HD.	

NOTE 1: Circuit Breaker Plate 56112122 is obsolete and has been replaced by 56112540.

NOTE 2: Only used on machines before serial number 4000068715.

Electrical System

SC 800

21-01-2015

Part List ID SC80011

15

Pos	Part no.	Qty	Description
38	80249A	1	SCREWM5-.8X12MM HEX HEAD S.S.
39	80380A	2	SCREW 8-32 X 1-1/4 PH
40	87026A	2	WASHER .250 FLAT SS
41	2-00-05171	4	BAT TERMINAL COVER RED
42	56112354	1	HANDLE
43	56002825	2	SCR PAN PHIL 1/4-20 X 1.25
44	56002708	2	NUT HEX NYL LOC 1/4-20
45	L08812063	4	CLAMP BATTERY PLUS

NOTE 1: Circuit Breaker Plate 56112122 is obsolete and has been replaced by 56112540.

NOTE 2: Only used on machines before serial number 4000068715.

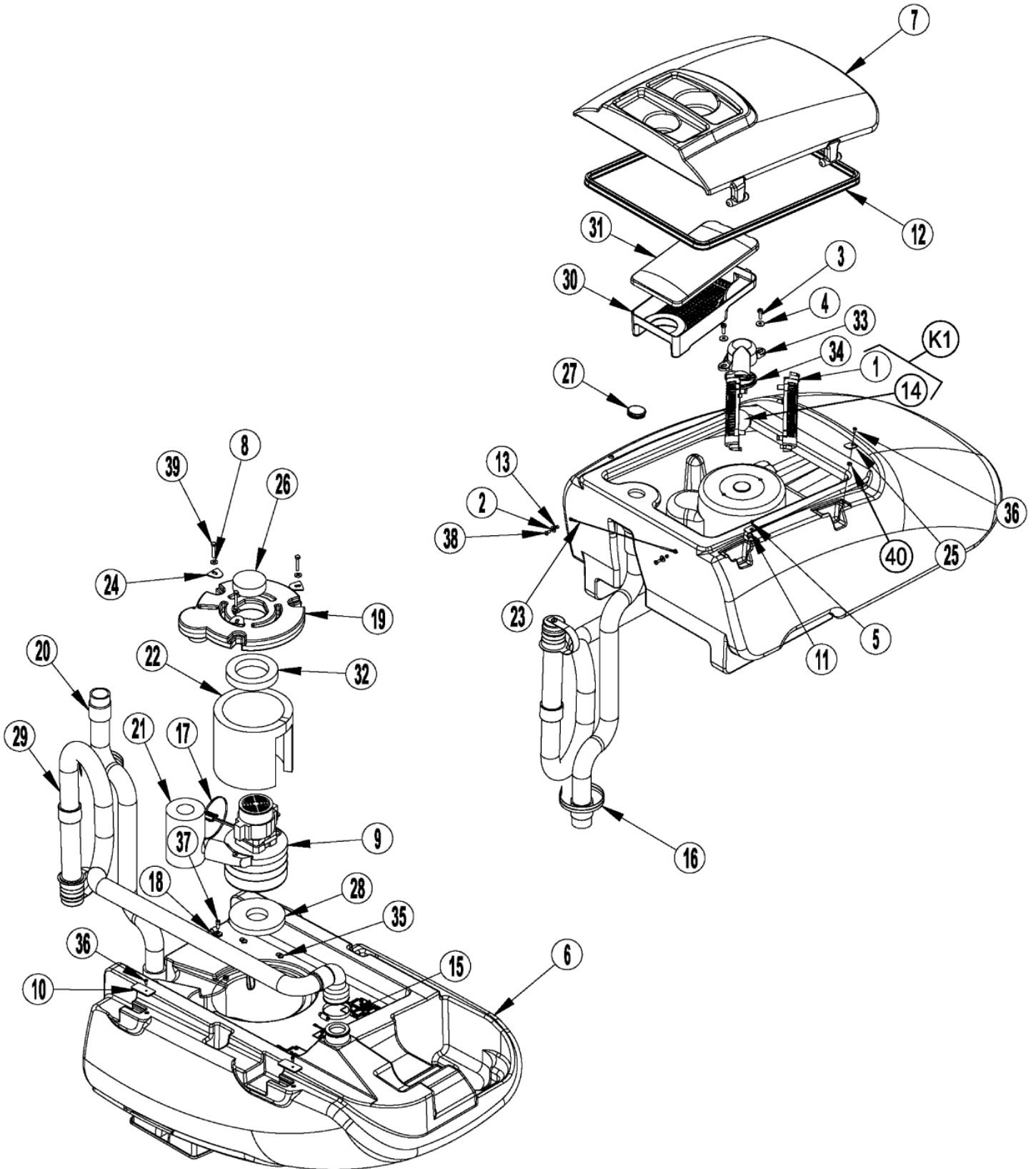
Recovery System

SC 800

21-01-2015

Part List ID
SC80013

16



Recovery System

SC 800

21-01-2015

Part List ID
SC80013

17

Pos	Part no.	Qty	Description	
1		2	NOTE COMMENT	K1 - CAGE, FLOAT
2	56002053	2	WSH FLT STD 10	
3	56003896	2	SCR-PAN PHIL SS M6-1.0 X 20MM	
4	56003638	2	WSH FLT SS M6	
5	56003823	1	SCR-FLT PHIL SS M4-0.7 X 8MM	
6	56112102	1	RECOVERY TANK	
7	56112103	1	RECOVERY LID	
8	87026A	3	WASHER .250 FLAT SS	
9	56112239	1	VAC MOTOR-24VDC	(M5)
9	56380529	1	CARBON-BRUSH/SET OF 2	(for 56112239)
10	56112293	2	RETAINER PLATE	
11	56112296	1	RETAINER PLATE	
12	56112297	1	GASKET-RECOVERY LID	
13	56151092	2	BUSHING .18X.25X.15G31H	
14		1	NOTE COMMENT	K1 - BALL, FLOAT
15	56440213	2	CLAMP HOSE SAE 32E00047	
16	56477613	2	CABLE TIE E00549 RE409S	
17	56478523	1	CABLE TIE E00549	
18	56323260	2	CLAMP CABLE	
19	909 6051 000	1	COVER.VACUUM MOTOR	
20	56112316	1	SUCTION HOSE	
21	909 6442 000	1	PIPE.ACOUSTIC INSULATION	
22	909 6491 000	1	PANEL ACOUSTIC INSULATION	
23	909 6634 000	1	CABLE STOP-LID	
24	909 6638 000	3	PLATE VACUUM COVER	
25	909 6643 000	1	PLATE TANK COVER	
26	56344168	1	FILTER	
27	909 6899 000	1	CAP TANK	
28	9096918000	1	GASKET VACUUM MOTOR	
29	56112310	1	DRAIN HOSE-RECOVERY	
30	9097384000	1	BASIN FILTER	
31	9097477000	1	COVER TANK FILTER	
32	9097555000	1	GASKET VACUUM MOTOR	
33	9097587000	1	CAGE FLOAT	
34	9097588000	1	GASKET FLOAT SUPPORT	
35	9097589000	2	NUT JAW M6X6 INOX SS	
36	80057A	3	SCREWM4-.7X10 PN PHILLIP SS	
37	80208A	2	SCREW M6-1 X 10MM P.P.HD	
38	80363A	2	SCREW M5-.8X12 BT	
39	80410A	3	SCREW M6-1 X 35MM HEX ZINC	
40	909 6679 000	1	BUSH FLANGED	
K1	56112303	1	KIT-FLOAT BALL CAGE	K1

Scrub System (Disk)

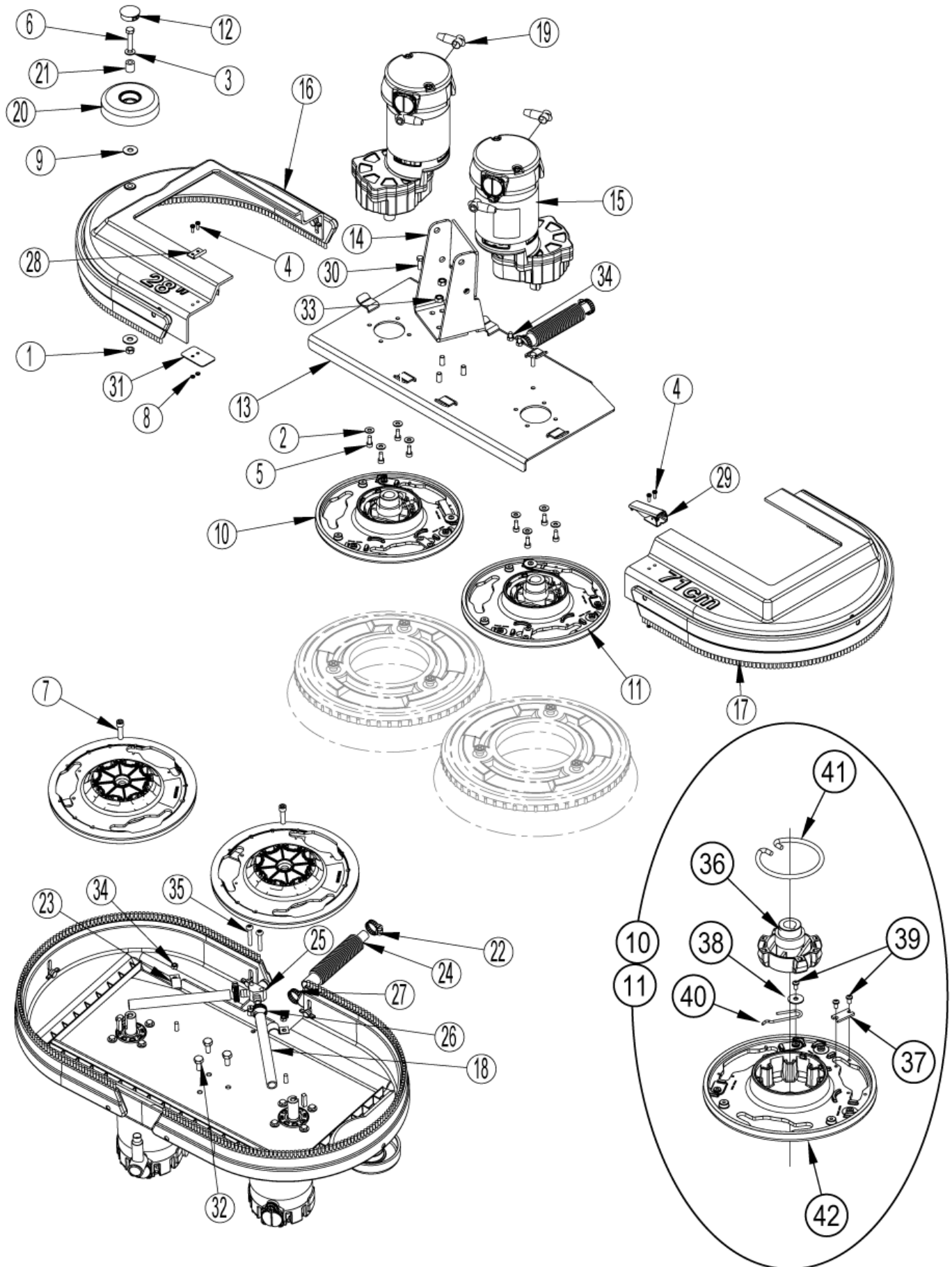
SC 800

21-01-2015

Part List ID

SC80015

18



Scrub System (Disk)

SC 800

21-01-2015

Part List ID SC80015

19

Pos	Part no.	Qty	Description	
1	56002851	1	NUT HEX NYL LOC-THIN SS5/16-18	
2	56002859	8	WSH FLT SAE SS 1/4	
3	56002938	1	WSH FLT SAE SS 5/16	
4	56003948	4	SCR-PAN PHIL SS M4-0.7 X 12MM	
5	56003425	8	SCR SOC SS M6-1X14MM	
6	56003455	1	HEX HD SS 5/16-18 X 1.5	
7	56003798	2	SCR SOC HD 5/16-18 x 1.25	
8	56003949	4	NUT-HEX NYL LOC SS M4-0.7	
9	56009213	2	SH FLT .382X1.000X.075	
10	56109651	1	BRUSH PLATE ASSY-CCW	36-43
11	56109652	1	BRUSH PLATE ASSY-CW	36-43
12	56111444	1	BUTTON PLUG-1.25	
13	56112757	1	BRUSH PLATE WELDT 26D	SC800-71
13	56112759	1	BRUSH PLATE WELDT 34D	SC800-86
14	56112523	1	LINKAGE BRACKET WELDMENT	
15	56112240	2	MOTOR GEARBOX ASSY	M3 / M4
15	56112242	2	CARBON BRUSH KIT	(for 56112240)
16	56112259	1	BRUSH SKIRT ASSY-28D LEFT	SC800-71
16	56112261	1	BRUSH SKIRT ASSY-34D LEFT	SC800-86
17	56112260	1	BRUSH SKIRT ASSY-28D RIGHT	SC800-71
17	56112262	1	BRUSH SKIRT ASSY-34D RIGHT	SC800-86
17	56112306	1	KIT-BRISTLE SKIRT 28	SC800-71/ INCLUDES TWO SKIRTS AND MOUNTING HARDWAR
17	56112307	1	KIT-BRISTLE SKIRT 34	SC800-86/ INCLUDES TWO SKIRTS AND MOUNTING HARDWAR
18	30453A	2	HOSE CLEAR VINYL ENCORE	SC800-86
18	56397207	2	HOSE PVC .500X7.00 E00199	SC800-71
19	56409538	4	TERMINAL INSULATOR	
20	56601450	1	WHEEL 4.00 OD	
21	56601499	1	BUSHING NYLON	
22	722030	1	CLAMP HOSE 6	
23	782002	2	CLAMP-MANIFOLD RM-10	
24	30412A	1	HOSE SOLUTION VISION	
25	38014A	1	SPLITTER SOLUTION ENCORE	
26	50248A	2	CLAMP 3/8 HOSE	
27	53571A	1	CLAMP HOSE	
28	55451A	1	KEEPER BRSH.HSG.ENCORE 28-38	
29	55721A	1	LATCH BRSH.HSG. ENCORE 28-38	
30	56003942	2	SCR-HEX SS M6-1 X 20MM	
31	69186A	1	TAB LATCH BRUSH ENCORE 33	
32	56003435	3	SCR HEX SS M8-1.25X20MM	
33	80198A	3	NUT M8-1.25 HEX NYLON S.S.	
34	80199A	4	NUT M6-1 HEX NYLON LOCK S.S.	
35	56003950	2	SCR-PAN PHIL SS M6-1.0 X 35MM	
36	56112521	1	GIMBAL-COLLAR ASSEMBLY	

Scrub System (Disk)

SC 800

21-01-2015

Part List ID
SC80015

20

Pos	Part no.	Qty	Description
37	56366455	1	PLATE CV24B
38	56009002	1	WASHER FLAT .266X.906X.060
39	56009247	3	SCR PN PHIL PLASTITE 10-14X.38
40	56109653	1	SPRING RETAINER
41	56601056	1	SPRING BRUSH HOLDER
42	56601118	1	BRUSH PLATE

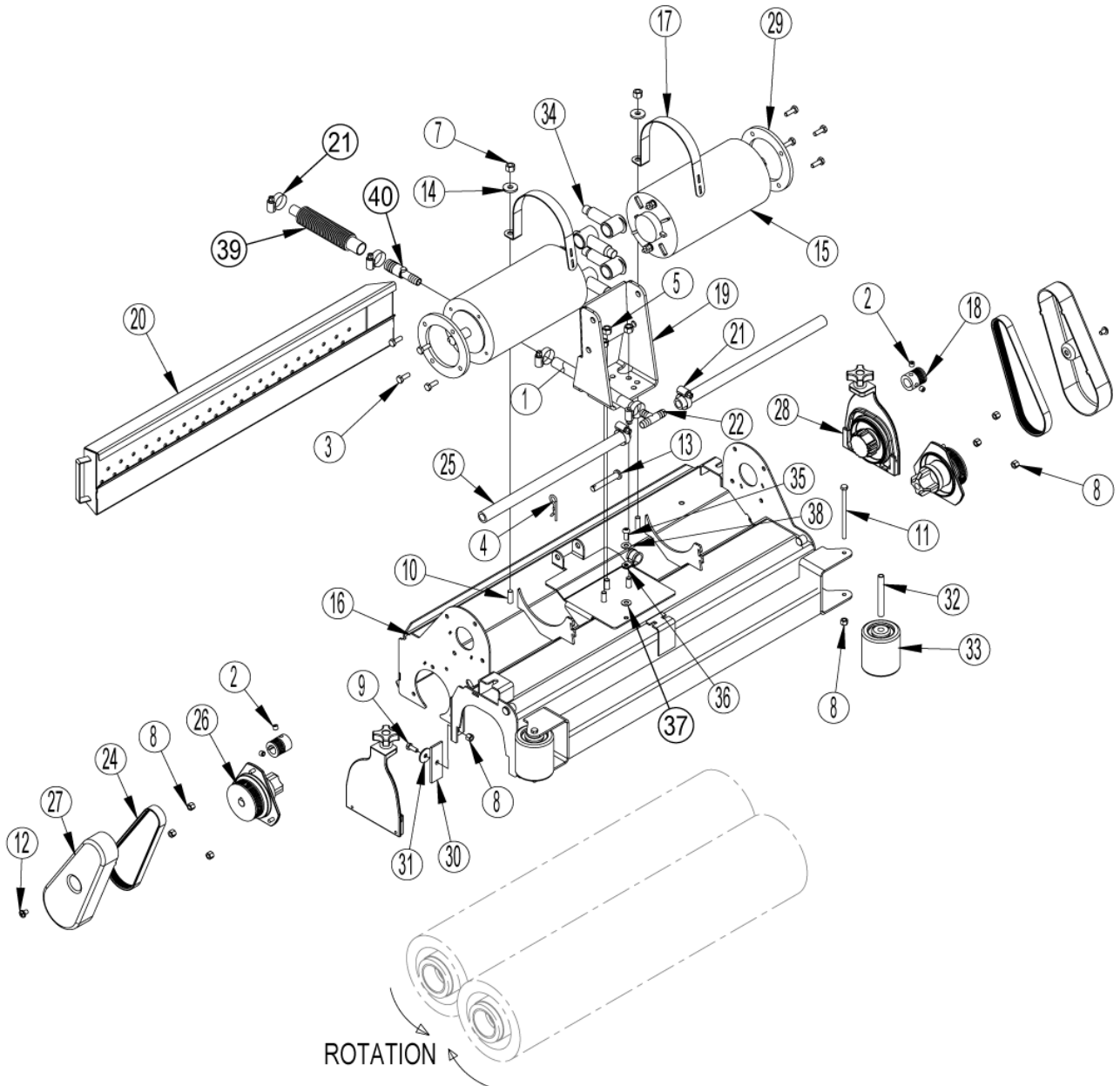
Scrub System (Cylindrical)

SC 800

21-01-2015

Part List ID
SC80017

21



Scrub System (Cylindrical)

SC 800

21-01-2015

Part List ID
SC80017

22

Pos	Part no.	Qty	Description
1	56397207	1	HOSE PVC .500X7.00 E00199
2	56002086	4	SCR SOC SET LOC 5/16-18 X .25
3	56002948	8	SCR HEX LOC 1/4 20 X 0.75
4	56003222	1	PIN COT HAIR .125 X DIA.50/.75
5	56003389	3	NUT HEX NYL LOC M8X1.25
6	56003403	2	NUT HEX NYL LOC M6 X 1.00
7	56003405	2	NUT HEX NYL LOC SS M8X1.25
8	56003426	8	NUT HEX NYL LOC SS M6
9	56003431	2	SCR HEX SS M6-1.00X16MM
10	56003436	2	SCR HEX SS M8-1.25X25MM
11	56003492	2	SCR HEX M6-1.0 X 100MM
12	56003603	2	SCR PAN PHILTHDFORM 1/4-20X.38
13	56003656	1	CLEVIS PIN .375 X 2.25
14	56009122	2	WSH FLT .344X.938X.125
15	56112111	2	MOTOR-24 VDC 3/4HP (M3 / M4)
15	56412257	1	BRUSH CAP ASSY (for 56112111)
16	56112161	1	BRUSH HOUSING WELDT-28C
17	56112165	2	STRAP-MOTOR
18	56112166	2	SHEAVE-POLY-V
19	56112523	1	LINKAGE BRACKET WELDMENT
20	56112283	1	HOPPER WELD T-28
21	56112771	6	CLAMP HOSE SAE 10 E00047
22	56262549	1	TEE E00455
24	56315321	2	BELT AUTO TENSION
25	56315355	2	MANIFOLD PVC 28
26	56407559	2	DRIVE END ASSY
27	56315445	2	COVER BELT
28	56314445	2	IDLER END ASSEMBLY
28	56396254	2	KNOB (for 56315448)
29	56316197	2	PLATE MOTOR SPACER
30	56407391	2	BLADE DECK GUM
31	56410214	2	STRAP
32	56412176	2	BUSHING
33	56412459	2	WHEEL
34	56409538	4	TERMINAL INSULATOR
35	56002066	1	SCR PAN PHIL 1/4-20 X .62
36	54779A	1	CLAMP P 5/8
37	56009064	1	WSH INT SHPRF 1/4
38	87026A	1	WASHER .250 FLAT SS
39	30412A	1	HOSE SOLUTION VISION
40	56315625	1	BARB COUPLER 3/4 X 1/2

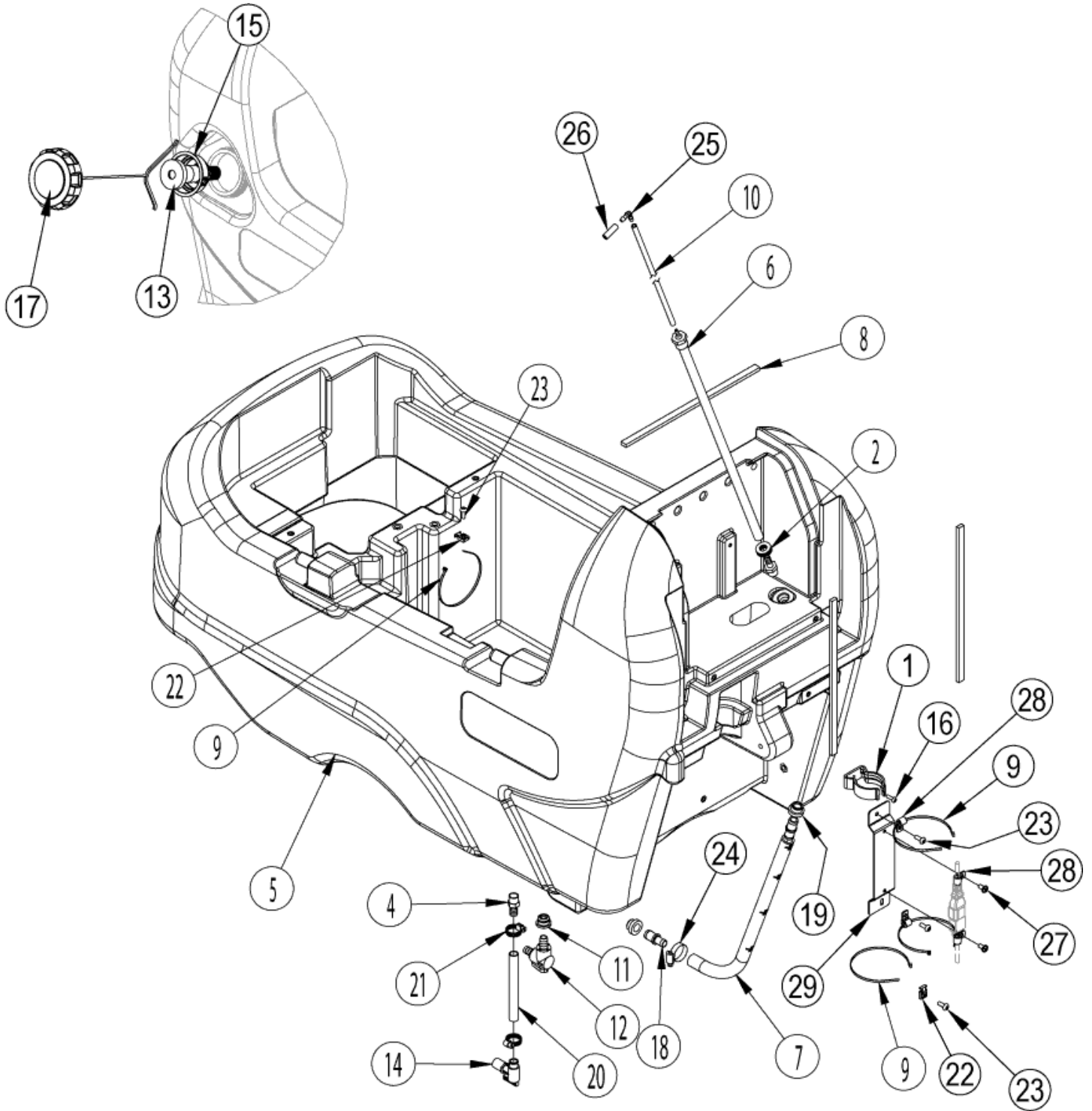
Solution System

SC 800

21-01-2015

Part List ID
SC80018

23



Solution System

SC 800

21-01-2015

Part List ID
SC80018

24

Pos	Part no.	Qty	Description
1	909 6380 000	1	CLAMP KIT
2	56002918	3	WSH FLT SAE SS 1/2
3	56054691	1	ADAPTER BARB MALE E00039 BRASS
4	56109565	1	BARB ADAPTER 1/2 X 3/8 NPT
5	56112101	1	SOLUTION TANK
6	56112145	1	TUBE-PRESSURE SENSING
8	56419275	3	GASKET
9	56478523	4	CABLE TIE E00549
10	56112551	1	HOSE NOTE 1
11	909 5286 000	1	GASKET
12	9097028000	1	VALVE ELBOW
13	9097290000	1	HOSE FILLING
14	59614A	1	VALVE BATTERY DRAINENCORE 33
15	56112345	1	FILL HOSE SUPPORT
16	964004	1	SCREW M5X16 PN ST PH
17	56601599	1	CAP-RAW WITH TETHER
18	56112346	2	STRAIGHT CONNECTOR
19	31242A	2	BUSHING FOR .62 OD CONNECTOR
20	34704A	1	HOSE BRUSH VISION 21I
21	50248A	2	CLAMP 3/8 HOSE
22	52548A	2	TAB 1/4 SCREW ENCORE 17
23	80208A	4	SCREW M6-1 X 10MM P.P.HD
24	56244969	1	CLAMP HOSE SAE 12 E00047
25	56112552	1	ELBOW 3/16 X 3/16 POLY NOTE 1
26	56112550	1	HOSE NOTE 1
27	56009062	2	SCR PAN PHIL THD FORM1/4-20X.5
28	56323260	4	CLAMP CABLE
29	56383383	1	POWER CORD BRACKET

NOTE 1: Hose 56601273 is obsolete. To replace 56601273 please order Solution Level Kit 56112554.

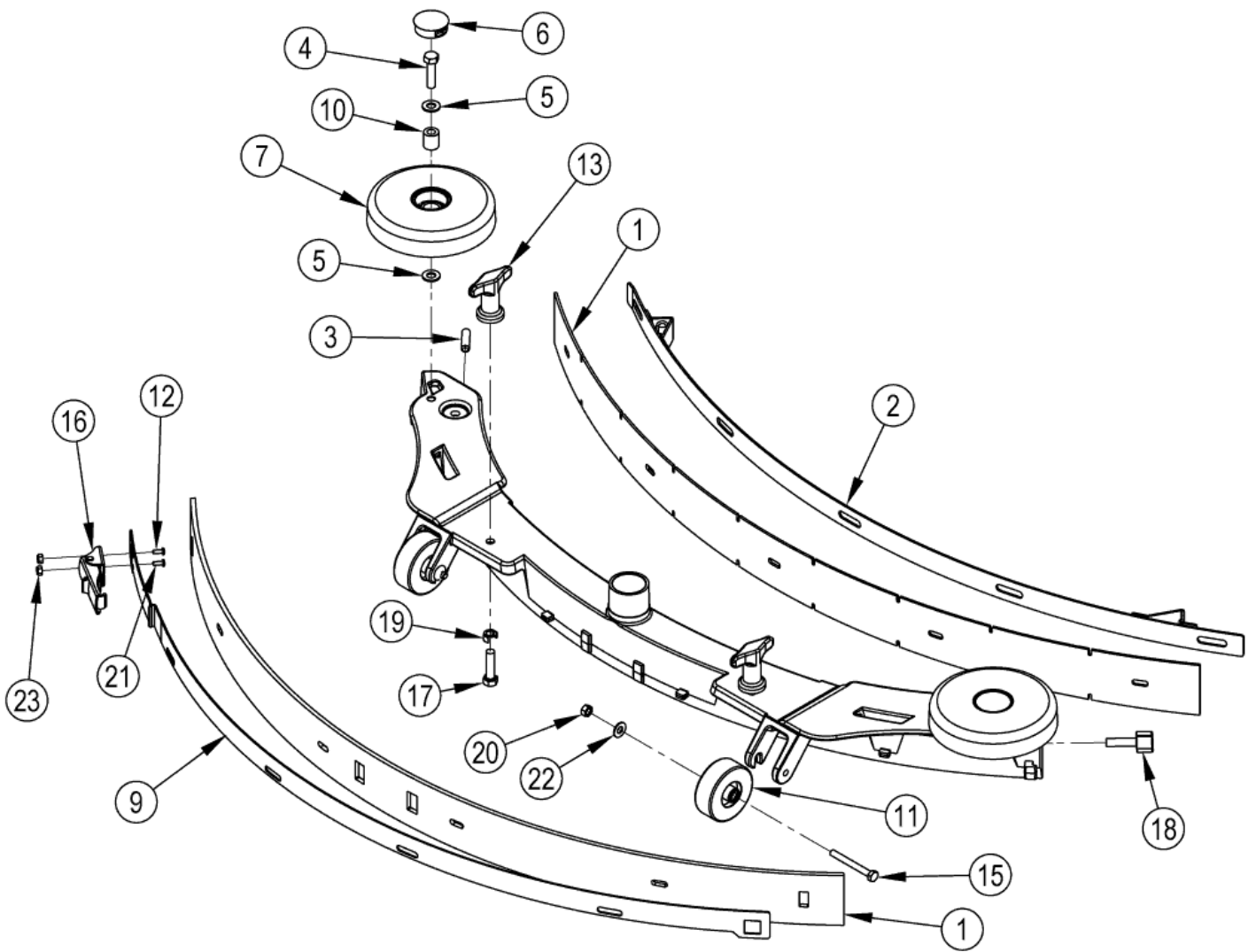
Squeegee Assembly

SC 800

21-01-2015

Part List ID SC80019

25



Squeegee Assembly

SC 800

21-01-2015

Part List ID
SC80019

26

Pos	Part no.	Qty	Description	
	56112313	1	SQUEEGEE ASSY	SC800-71
	56112314	1	SQUEEGEE ASSY CYL EU	SC800-71C
	56112315	1	SQUEEGEE ASSY	SC800-86
1	56112330	1	BLADE KIT-SQUEEGEE GUM	SC800-71 - NOTE 1
1	56112331	1	BLADE KIT-SQUEEGEE RED GUM	SC800-71C - NOTE 1
1	56112333	1	BLADE KIT-SQUEEGEE GUM	SC800-86) NOTE 1
2	60466A	1	STRAP SQUEEGEE FRONT 35	SC800-71
2	60546A	1	STRAP SQUEEGEE FRONT 41	SC800-86
3	88632A	1	SCREW SET M8-1.25 X 30MM	
4	56002884	2	SCR HEX SS 5/16-18 X 1.25	
5	56002938	4	WSH FLT SAE SS 5/16	
6	56111444	2	BUTTON PLUG-1.25	
7	56112108	2	WHEEL	
9	56112213	1	STRAP-SQUEEGEE REAR	SC800-71
9	56112214	1	STRAP-SQUEEGEE REAR	SC800-86
10	56601499	2	BUSHING NYLON	
11	909 6883 000	1	WHEELS SQUEEGEE 60X20MM KIT	2 pcs.
12	56112300	1	REAR LATCH STRAP	
13	56370711	2	NUT THUMB	
15	88629A	2	SCREW M6-1 X 55MM HEX	
16	9098321000	1	LATCH SQUEEGEE	
17	962157	2	SCR 5/16-18 X 1-1/4 HX ST CAP	
18	54647A	1	KNOB M8X30 SS	
19	60564A	2	SHIM SQUEEGEE KNOB	
20	80199A	2	NUT M6-1 HEX NYLON LOCK S.S.	
21	56002909	2	SCR PAN PHIL SS 6-32 X .38	
22	87026A	2	WASHER .250 FLAT SS	
23	56002907	2	NUT HEX NYL LOC SS 6-32	
50	56112330	1	BLADE KIT-SQUEEGEE GUM	NOTE 1
51	56112331	1	BLADE KIT-SQUEEGEE RED GUM	NOTE 1
52	56112332	1	BLADE KIT-SQUEEGEE PU	OPTIONAL, NOT INCLUDED - NOTE 1
60	56112333	1	BLADE KIT-SQUEEGEE GUM	NOTE 1
61	56112334	1	BLADE KIT-SQUEEGEE RED GUM	OPTIONAL, NOT INCLUDED - NOTE 1
62	56112335	1	BLADE KIT-SQUEEGEE PU	OPTIONAL, NOT INCLUDED - NOTE 1

Pos. 50-52: SC800-71 Squeegee Blade Kits

Pos. 60-62: SC800-86 Squeegee Blade Kits

NOTE 1: All squeegee blade kits include both front and rear squeegee blades.

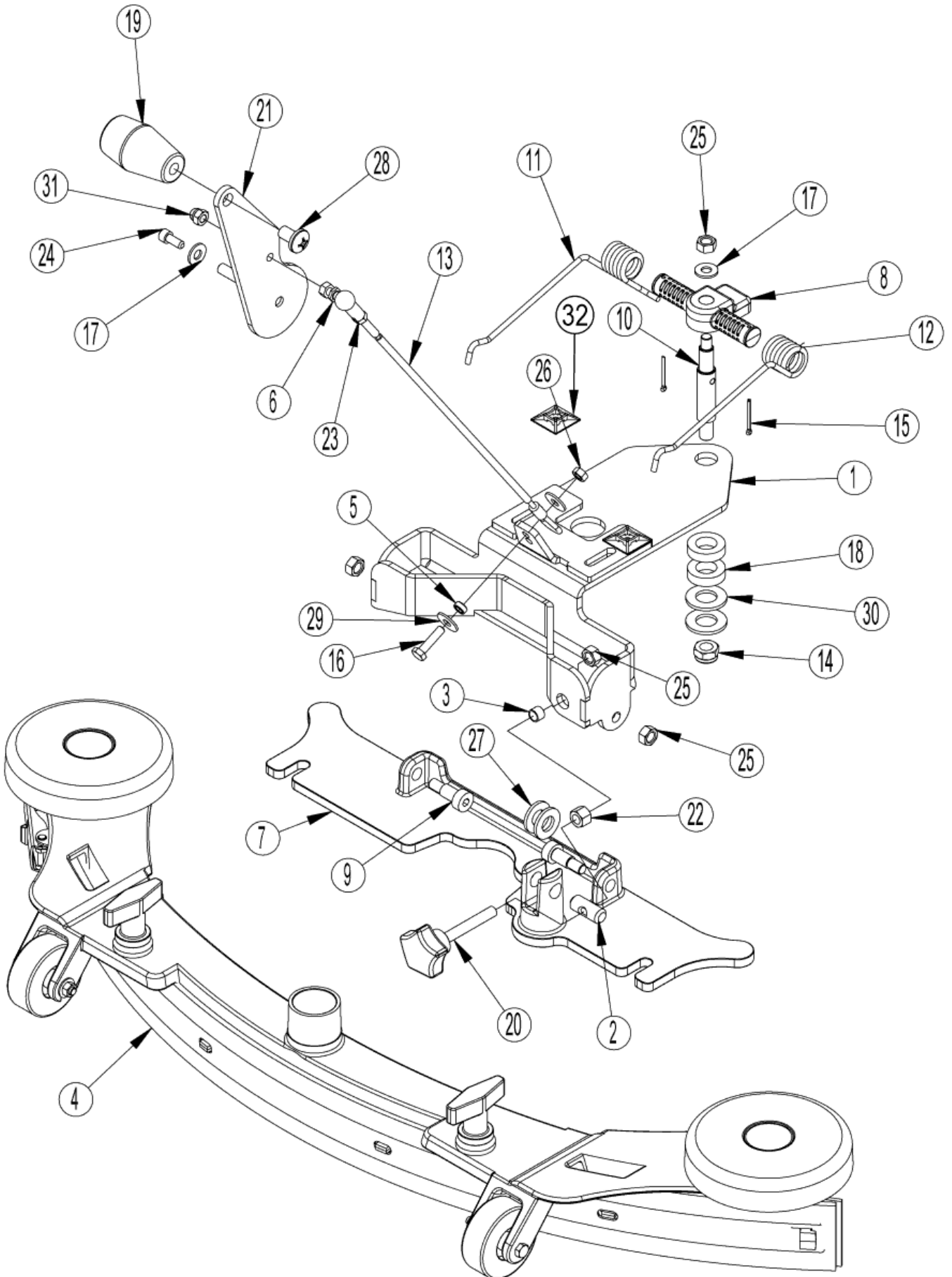
Scqueegee System

SC 800

21-01-2015

Part List ID
SC80021

27



Scqueegee System

SC 800

21-01-2015

Part List ID
SC80021

28

Pos	Part no.	Qty	Description
1	61953A	1	PLATE SQUEEGEE SUPPORT
2	L08601509	1	PIN SUPPORT
3	L08602422	1	SPACER 8X10X7
4	56112313	1	SQUEEGEE ASSY
4	56112314	1	SQUEEGEE ASSY CYL EU
4	56112315	1	SQUEEGEE ASSY
5	145 1252 000	1	SPACER 6.5X10X5
6	145 8479 000	1	BALL JOINT M6 DIN7180
7	909 6045 000	1	SUPPORT. SQUEEGEE
8	909 6052 000	1	SUPPORT SQUEEGEE SPRING
9	909 6495 000	2	SCREW 10X16 M8 ISO7379 12.9 GEOMET 320 A
10	909 6497 000	1	PIN SQUEEGEE
11	909 6537 000	1	SPRING SQUEEGEE PUSHING DX
12	909 6538 000	1	SPRING SQUEEGEE PUSHING SX
13	9097366000	1	CABLE SQUEEGEE LIFTING
14	80223A	1	NUT M10-1.5 NYLOCK
15	925044	2	PIN-3/32X1 COTTER
16	964054	1	SCR M 6.0X1.0 X 25 HX ST
17	980651	2	WASHER 5/16 SAE FLAT
18	38708A	2	SPACER 1.12ODX.63IDX.30THK
19	52557A	1	KNOB SQUEEGEE LIFT ENCORE17
20	54699A	1	KNOB M8 X 55
21	61952A	1	LEVER SQUEEGEE LIFT
22	80163A	1	NUT M8-1.25 HEX
23	80171A	1	NUT M6-1 HEX
24	80179A	1	SCREW M6-1 X 16MM PHD PH SS
25	80198A	4	NUT M8-1.25 HEX NYLON S.S.
26	80199A	1	NUT M6-1 HEX NYLON LOCK S.S.
27	80424A	2	WASHER NYLON 1 X 1/2 X .100
28	85389A	1	SCR 3/8 16X 5/8 PN SY
29	87007A	2	WASHER-CONTROL SHAFT ECCENTRIC
30	87613A	2	WASHERFLT1.22X.64X.10 NYLON
31	88640A	1	NUT M6-1 ACORN ZINC PLATED
32	909 6635 000	2	HOLDER.FLAT TIE

Ladder Diagram

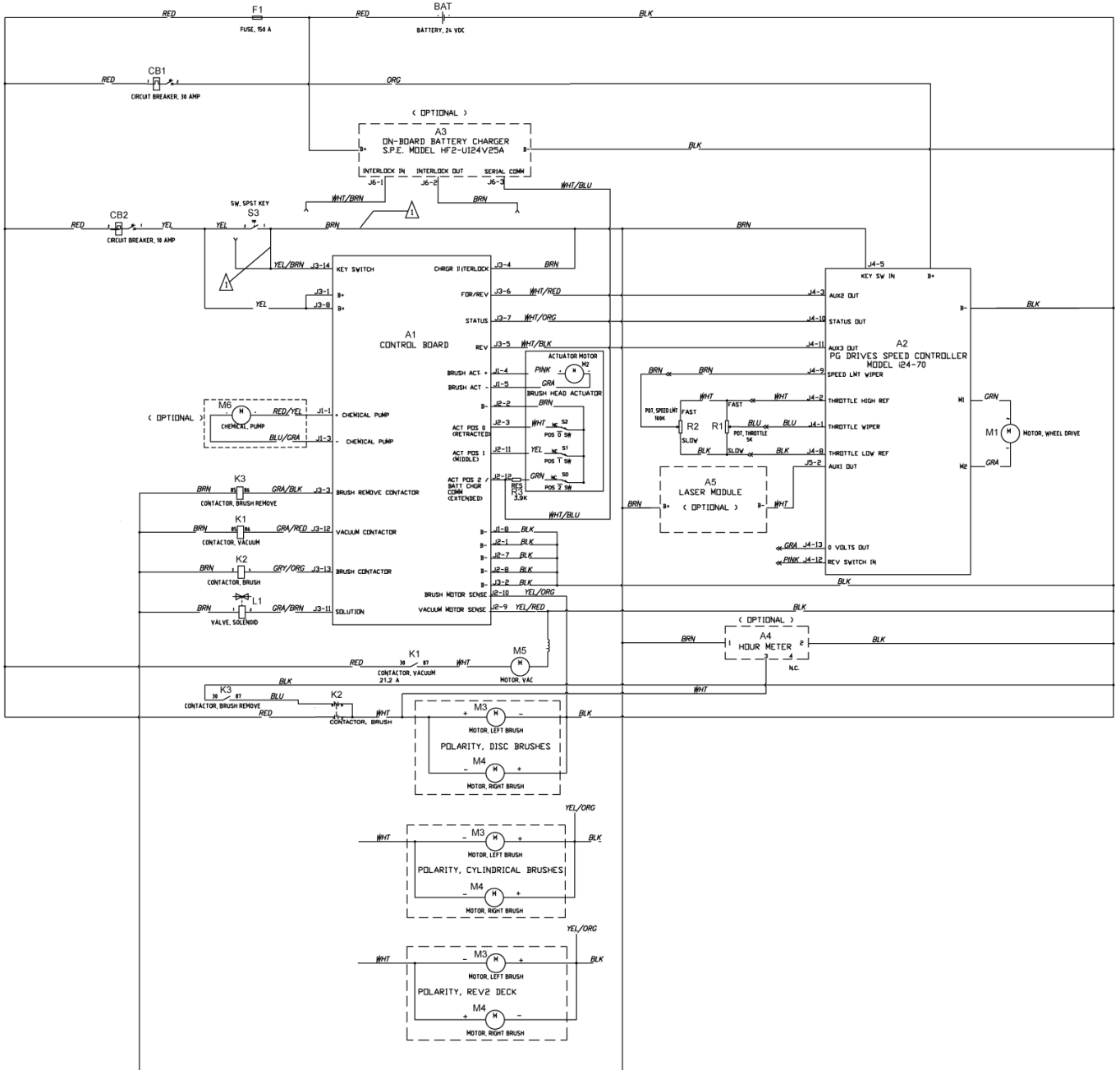
SC 800

21-01-2015

Part List ID

SC80023

29



NOTES:

⚠ WHEN ON-BOARD CHARGER IS USED, REMOVE BRN WIRE FROM KEY SW. CONNECT TO BRN WIRE FROM BATTERY CHARGER, & REPLACE WITH WHT/BRN WIRE FROM CHARGER. ALSO, MOVE YEL/BRN WIRE AT KEY SWITCH FROM BRN to YEL.

Ladder Diagram

SC 800

21-01-2015

Part List ID
SC800Z3

30

Pos	Part no.	Qty	Description	
A1	56112351	1	KIT-AXP CONTROL BOARD	
A2	56112187	1	SPEED CONTROLLER 70A 24V	
A3	56114378	1	BATTERY CHARGER 24V 25A	OPTIONAL
A4	56393718	1	HOURMETER	OPTIONAL
A5	56112136	1	LASER	OPTIONAL
F1	56412089	1	FUSE 150 AMP	
K1	41075A	1	RELAY	
K2	56397088	1	CONTACTOR 24V SPDT	
K3	41075A	1	RELAY	
L1	56112147	1	SOLENOID VALVE ASSY	
M1	56382670	1	KIT TRANSAXLE MOTOR	
M2	40280A	1	ACTUATOR BOOST 32	
M3	56112111	1	MOTOR-24 VDC 3/4HP	CYLINDRICAL
M3	56112240	1	MOTOR GEARBOX ASSY	DISK
M4	56112111	1	MOTOR-24 VDC 3/4HP	CYLINDRICAL
M4	56112240	1	MOTOR GEARBOX ASSY	DISK
M5	56112239	1	VAC MOTOR-24VDC	
M6	56315241	1	PUMP CHEMICAL	OPTIONAL
R1	56397029	1	POTENTIOMETER 5K	
R2	56396197	1	POTENTIOMETER 100K	
R3		1	NOTE COMMENT	PART OF MAIN WRING HARNESS, NOT AVAILABLE
S0		1	NOTE COMMENT	PART OF M2, NOT AVAILABLE
S1		1	NOTE COMMENT	PART OF M2, NOT AVAILABLE
S2		1	NOTE COMMENT	PART OF M2, NOT AVAILABLE
S3	56303553	1	KEY SWITCH ASSEMBLY	
BAT		1	NOTE COMMENT	BATTERY-24VDC, NOT AVAILABLE
CB1	56315256	1	CIRCUIT BREAKER 30 AMP	
CB2	56507644	1	CIRCUIT BREAKER 10 AMP	

Optional Kits and Accessories

SC 800

21-01-2015

Part List ID

SC80024

31

No Drawing For Part List

Optional Kits and Accessories

SC 800

21-01-2015

Part List ID SC80024

32

Pos	Part no.	Qty	Description	
1	56112245	1	KIT-ON BOARD CHARGER-EU	
2	56112141	1	KIT-VAC WAND WITH TOTE BAG	
6	56112138	1	KIT-LASER	
7	56112140	1	KIT-WET FLOOR HOLDER	
8	56112312	1	KIT-MOP HOLDER	
9	56112244	1	KIT-CHEMICAL INJECTION EU	
20	56112330	1	BLADE KIT-SQUEEGEE GUM	NOTE 1
21	56112331	1	BLADE KIT-SQUEEGEE RED GUM	NOTE 1
22	56112332	1	BLADE KIT-SQUEEGEE PU	NOTE 1
30	56112333	1	BLADE KIT-SQUEEGEE GUM	NOTE 1
31	56112334	1	BLADE KIT-SQUEEGEE RED GUM	NOTE 1
32	56112335	1	BLADE KIT-SQUEEGEE PU	NOTE 1
40	56112222	1	UTILITY CADDY	
41	56112255	1	PROGRAMMER WITH CABLE	
61		1	CHARGER HF 24V 20A SB175R	EU
70	56505800	2	PAD HOLDER-14 3 LUG	
71	56505195	2	PAD RETAINER	
72	56505805	2	DISC BRUSH-14 PROLITE 3 LUG	
73	56505804	2	DISC BRUSH-14 PROLENE 3 LUG	
74	56505806	2	DISC BRUSH-14 UNION MIX 3 LUG	
75	56505803	2	DISC BRUSH-14 AGLITE 3 LUG	
76	56505807	2	DISC BRUSH-14 MIDGRIT 3 LUG	
77	56505808	2	DISC BRUSH-14 MIDLITE 3 LUG	
78	56505802	2	DISC BRUSH-14 DYNAGRIT 3 LUG	
79	56505801	2	DISC BRUSH-14 MAGNAGRIT 3 LUG	
80	56505780	2	PAD HOLDER-17 3 LUG	
81	56505195	2	PAD RETAINER	
82	56505785	2	DISC BRUSH-17 PROLITE 3 LUG	
83	56505784	2	DISC BRUSH-17 PROLENE 3 LUG	
84	56505786	2	DISC BRUSH-17 UNION MIX 3 LUG	
85	56505783	2	DISC BRUSH-17 AGLITE 3 LUG	
86	56505787	2	DISC BRUSH-17 MIDGRIT 3 LUG	
87	56505788	2	DISC BRUSH-17 MIDLITE 3 LUG	
88	56505782	2	DISC BRUSH-17 DYNAGRIT 3 LUG	
89	56505781	2	DISC BRUSH-17 MAGNAGRIT 3 LUG	
91	56412192	2	BRUSH HARD NYLON 28-NATURAL	
92	56412046	2	BRUSH POLYPROPYLENE 28-RED	
93	56412193	2	BRUSH 180 GRIT 28-BLUE/GREY	
95	56412195	2	BRUSH 46 GRIT 28 ORANG/BROWN	

NOTE 1: All squeegee blade kits include both front and rear squeegee blades.

80564000 4 Battery, 6v 180 A/H

Optional Battery Chargers

* 80568700 1 Charger, 24vdc, 20 Amp, 230vac (UK)

Brush Selector Guide - Disk

SC 800

21-01-2015

Part List ID
SC80025

34

Pos	Part no.	Qty	Description
1	56505800	1	PAD HOLDER-14 3 LUG
2	56505195	1	PAD RETAINER FOR 56505800
3	56505805	1	DISC BRUSH-14 PROLITE 3 LUG
4	56505804	1	DISC BRUSH-14 PROLENE 3 LUG
5	56505806	1	DISC BRUSH-14 UNION MIX 3 LUG
6	56505803	1	DISC BRUSH-14 AGLITE 3 LUG
7	56505807	1	DISC BRUSH-14 MIDGRIT 3 LUG
8	56505808	1	DISC BRUSH-14 MIDLITE 3 LUG
9	56505802	1	DISC BRUSH-14 DYNAGRIT 3 LUG
10	56505801	1	DISC BRUSH-14 MAGNAGRIT 3 LUG
20	56505780	1	PAD HOLDER-17 3 LUG
21	56505195	1	PAD RETAINER FOR 56505800
22	56505785	1	DISC BRUSH-17 PROLITE 3 LUG
23	56505784	1	DISC BRUSH-17 PROLENE 3 LUG
24	56505786	1	DISC BRUSH-17 UNION MIX 3 LUG
25	56505783	1	DISC BRUSH-17 AGLITE 3 LUG
26	56505787	1	DISC BRUSH-17 MIDGRIT 3 LUG
27	56505788	1	DISC BRUSH-17 MIDLITE 3 LUG
28	56505782	1	DISC BRUSH-17 DYNAGRIT 3 LUG
29	56505781	1	DISC BRUSH-17 MAGNAGRIT 3 LUG

Brush Selector Guide - Cylindrical

SC 800

21-01-2015

Part List ID
SC80026

35

We provide brushes and pad holders that will give you the best possible performance between machine and floor. Following are descriptions of the materials and their applications.

- Soft Nylon:** Least aggressive brush available. Used on soft-finish floors where a more aggressive brush would leave scratch marks, or in applications requiring very light cleaning.
- Stiff Nylon:** Cleaning action similar to polypropylene. More durable and wear-resistant than polypropylene.
- Prolene:** Low cost, yet effective in cleaning many common floor surfaces.
- MidLite Grit 180:** Least aggressive grit brush. Used for daily cleaning of hard-finished floors.
- Dyna Grit 80:** Medium aggressive grit brush. Good all-around brush for medium to heavy buildup removal. Can also be used for general stripping operations.
- Magna Grit 46:** Most aggressive grit brush. Used primarily to clean heavy buildup on concrete floors in factories, or for heavy stripping of finish.

BA 756 BRUSHES

- 56412191 - Soft Nylon
- 56412192 - Hard Nylon
- 56412046 - Prolene
- 56412193 - MidLite Grit 180
- 56412194 - Dyna Grit 80
- 56412195 - Magna Grit 46

CYLINDRICAL BRUSH APPLICATION GUIDE (SUGGESTION ONLY)

Application	46 Grit	80 Grit	180 Grit	Polypropylene	Stiff Nylon	Soft Nylon
Stripping:						
Concrete	X	X				
Terrazzo	X	X				
Ceramic/Quarry tile		X				
Vinyl tile		X				
General Scrubbing:						
Concrete	X	X	X	X	X	
Terrazzo			X	X	X	X
Ceramic/Quarry tile			X	X	X	X
Marble			X		X	X
Vinyl tile			X	X	X	X
Raised-rubber tile			X			X

Brush Selector Guide - Cylindrical

SC 800

21-01-2015

Part List ID
SC80026

36

Pos	Part no.	Qty	Description
1	56412191	1	BRUSH SOFT NYLON 28-YELLOW
2	56412192	1	BRUSH HARD NYLON 28-NATURAL
3	56412046	1	BRUSH POLYPROPYLENE 28-RED
4	56412193	1	BRUSH 180 GRIT 28-BLUE/GREY
5	56412194	1	BRUSH 80 GRIT 28 BLACK
6	56412195	1	BRUSH 46 GRIT 28 ORANG/BROWN

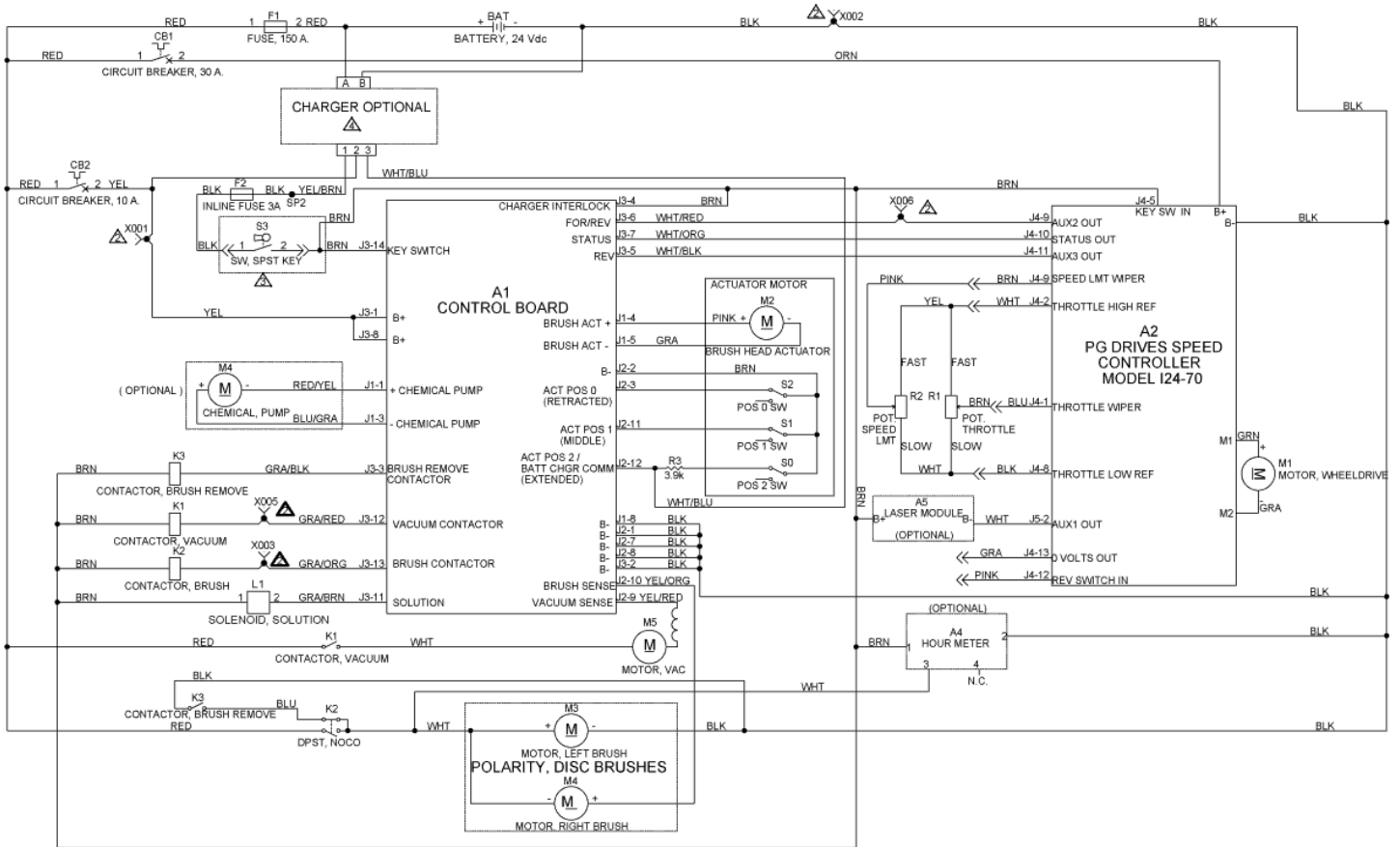
Ladder Diagram After June 2014

SC 800

21-01-2015

Part List ID
SC80032

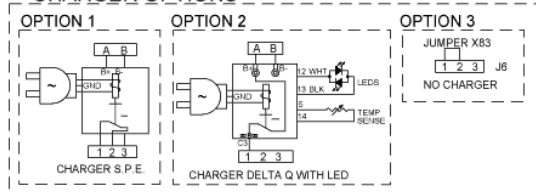
37



NOTES:

- △ CONNECTORS WITH X00X ARE TRACKCLEAN CONNECTIONS.
- △ IF TRACKCLEAN OPTION IS INSTALLED, REFER TO TRACKCLEAN CONNECTIONS AND EITHER DETAIL A OR B.
- △ REFER TO CHARGER CONNECTIONS FOR ONBOARD CHARGER CONFIGURATIONS.

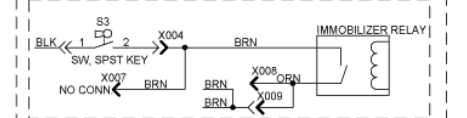
△ CHARGER OPTIONS



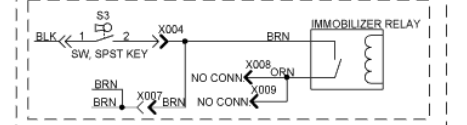
△ TRACKCLEAN CONNECTIONS (OPTIONAL)

- X001 - B+ (RED)
- X002 - B- (BLUE)
- X003 - SCRUB (WHITE)
- X004 - KEY SWITCH (BROWN)
- X005 - VACUUM (GRAY)
- X006 - DRIVE (PINK)
- X007
- X008 } SEE DETAIL DIAGRAMS
- X009

DETAIL A - WITH ACCESS CONTROL



DETAIL B - WITHOUT ACCESS CONTROL



Ladder Diagram After June 2014

SC 800

21-01-2015

Part List ID SC80032

38

Pos	Part no.	Qty	Description	
A1	56112351	1	KIT-AXP CONTROL BOARD	
A2	56112187	1	SPEED CONTROLLER 70A 24V	
A3	56114378	1	BATTERY CHARGER 24V 25A	
A4	56393718	1	HOURMETER	
A5	56112136	1	LASER	
F1	56412089	1	FUSE 150 AMP	
K1	41075A	1	RELAY	
K2	56397088	1	CONTACTOR 24V SPDT	
K3	41075A	1	RELAY	
L1	56112147	1	SOLENOID VALVE ASSY	
M1	56382670	1	KIT TRANSAXLE MOTOR	
M2	40280A	1	ACTUATOR BOOST 32	
M3	56112111	1	MOTOR-24 VDC 3/4HP	
M3	56112240	1	MOTOR GEARBOX ASSY	
M4	56112111	1	MOTOR-24 VDC 3/4HP	
M4	56112240	1	MOTOR GEARBOX ASSY	
M5	56112239	1	VAC MOTOR-24VDC	
M6	56315241	1	PUMP CHEMICAL	
R1	56397029	1	POTENTIOMETER 5K	
R2	56396197	1	POTENTIOMETER 100K	
R3		1	NOTE COMMENT	Part of M2
S0		1	NOTE COMMENT	Part of M2
S1		1	NOTE COMMENT	Part of M2
S2		1	NOTE COMMENT	Part of M2
S3	56303553	1	KEY SWITCH ASSEMBLY	
CB1	56315256	1	CIRCUIT BREAKER 30 AMP	
CB2	56507644	1	CIRCUIT BREAKER 10 AMP	
BAT		1	NOTE COMMENT	Fuse, 150 Amp

RECOMMENDED SPARE PARTS

SC 800

21-01-2015

Part List ID SC80027

39

No Drawing For Part List

RECOMMENDED SPARE PARTS

SC 800

21-01-2015

Part List ID SC800Z7

40

Pos	Part no.	Qty	Description	
1	40628A	4	BRUSH CARBON MOTOR	WEAR PARTS
3	56112242	2	CARBON BRUSH KIT	WEAR PARTS
4	56412257	1	BRUSH CAP ASSY	WEAR PARTS
5	56407391	2	BLADE DECK GUM	WEAR PARTS
6	56112330	1	BLADE KIT-SQUEEGEE GUM	WEAR PARTS NOTE 1
7	56112331	1	BLADE KIT-SQUEEGEE RED GUM	WEAR PARTS NOTE 1
8	56112332	1	BLADE KIT-SQUEEGEE PU	WEAR PARTS NOTE 1
9	56112333	1	BLADE KIT-SQUEEGEE GUM	WEAR PARTS NOTE 1
10	56112334	1	BLADE KIT-SQUEEGEE RED GUM	WEAR PARTS NOTE 1
11	56112335	1	BLADE KIT-SQUEEGEE PU	WEAR PARTS NOTE 1
12	56112308	1	CASTER-SWIVEL 4.00 X 2.00	ORDINARY MAINTENANCE
13	56112109	2	TIRE	EXTRAORDINARY MAINTENANCE
14	56112147	1	SOLENOID VALVE ASSY	EXTRAORDINARY MAINTENANCE
15	56112543	1	TRANSAXLE	EXTRAORDINARY MAINTENANCE
16	56380158	2	FLANGE KIT	EXTRAORDINARY MAINTENANCE
17	56382670	1	KIT TRANSAXLE MOTOR	EXTRAORDINARY MAINTENANCE
18	40280A	1	ACTUATOR BOOST 32	EXTRAORDINARY MAINTENANCE
19	9100000362	1	FILTER WATER	TSB-FC-2013-127, EXTRAORDINARY MAINTENANCE
20	9099481000	1	NET WATER FILTER REINFORCED	EXTRAORDINARY MAINTENANCE
21	9097456000	1	LEVER	EXTRAORDINARY MAINTENANCE
22	54689A	1	GAS SPRING 500N	EXTRAORDINARY MAINTENANCE
23	56396197	1	POTENTIOMETER 100K	EXTRAORDINARY MAINTENANCE
24	56397029	1	POTENTIOMETER 5K	EXTRAORDINARY MAINTENANCE
25	56109716	1	PADDLE-BACK COVER	EXTRAORDINARY MAINTENANCE
26	56315230	1	PADDLE FRONT COVER	EXTRAORDINARY MAINTENANCE
27	56315280	1	KNOB	EXTRAORDINARY MAINTENANCE
28	56112351	1	KIT-AXP CONTROL BOARD	EXTRAORDINARY MAINTENANCE
29	56303553	1	KEY SWITCH ASSEMBLY	EXTRAORDINARY MAINTENANCE
30	56303526	1	KEY REPLACEMENT SET OF 2	EXTRAORDINARY MAINTENANCE
31	56112253	1	KIT-INTERFACE PANEL	EXTRAORDINARY MAINTENANCE
32	56112187	1	SPEED CONTROLLER 70A 24V	EXTRAORDINARY MAINTENANCE
33	56315256	1	CIRCUIT BREAKER 30 AMP	EXTRAORDINARY MAINTENANCE
34	56397088	1	CONTACTOR 24V SPDT	EXTRAORDINARY MAINTENANCE
35	56412089	1	FUSE 150 AMP	EXTRAORDINARY MAINTENANCE
36	56507644	1	CIRCUIT BREAKER 10 AMP	EXTRAORDINARY MAINTENANCE
37	41075A	2	RELAY	EXTRAORDINARY MAINTENANCE
38	56112239	1	VAC MOTOR-24VDC	EXTRAORDINARY MAINTENANCE
39	56112316	1	SUCTION HOSE	EXTRAORDINARY MAINTENANCE
40	909 6634 000	1	CABLE STOP-LID	EXTRAORDINARY MAINTENANCE
41	56344168	1	FILTER	EXTRAORDINARY MAINTENANCE
42	56112310	1	DRAIN HOSE-RECOVERY	EXTRAORDINARY MAINTENANCE
43	56112303	1	KIT-FLOAT BALL CAGE	EXTRAORDINARY MAINTENANCE
44	56109651	1	BRUSH PLATE ASSY-CCW	EXTRAORDINARY MAINTENANCE

NOTE 1: EMC Filter Kit 56112353 is obsolete and replaced by 56112349.

RECOMMENDED SPARE PARTS

SC 800

21-01-2015

Part List ID SC800Z7

41

Pos	Part no.	Qty	Description	
45	56109652	1	BRUSH PLATE ASSY-CW	EXTRAORDINARY MAINTENANCE
46	56112523	1	LINKAGE BRACKET WELDMENT	EXTRAORDINARY MAINTENANCE
47	56112240	2	MOTOR GEARBOX ASSY	EXTRAORDINARY MAINTENANCE
48	56112259	1	BRUSH SKIRT ASSY-28D LEFT	EXTRAORDINARY MAINTENANCE
49	56112261	1	BRUSH SKIRT ASSY-34D LEFT	EXTRAORDINARY MAINTENANCE
50	56112260	1	BRUSH SKIRT ASSY-28D RIGHT	EXTRAORDINARY MAINTENANCE
51	56112262	1	BRUSH SKIRT ASSY-34D RIGHT	EXTRAORDINARY MAINTENANCE
52	56112306	1	KIT-BRISTLE SKIRT 28	EXTRAORDINARY MAINTENANCE
53	56112307	1	KIT-BRISTLE SKIRT 34	EXTRAORDINARY MAINTENANCE
54	56601450	1	WHEEL 4.00 OD	EXTRAORDINARY MAINTENANCE
55	30412A	1	HOSE SOLUTION VISION	EXTRAORDINARY MAINTENANCE
56	56112521	1	GIMBAL-COLLAR ASSEMBLY	EXTRAORDINARY MAINTENANCE
57	56366455	1	PLATE CV24B	EXTRAORDINARY MAINTENANCE
58	56109653	1	SPRING RETAINER	EXTRAORDINARY MAINTENANCE
59	56601056	1	SPRING BRUSH HOLDER	EXTRAORDINARY MAINTENANCE
60	56601118	1	BRUSH PLATE	EXTRAORDINARY MAINTENANCE
61	56112111	2	MOTOR-24 VDC 3/4HP	EXTRAORDINARY MAINTENANCE
62	56112523	1	LINKAGE BRACKET WELDMENT	EXTRAORDINARY MAINTENANCE
63	56315321	2	BELT AUTO TENSION	EXTRAORDINARY MAINTENANCE
64	56315408	2	DRIVE END ASSEMBLY	EXTRAORDINARY MAINTENANCE
65	56315445	2	COVER BELT	EXTRAORDINARY MAINTENANCE
66	56315448	2	IDLER END ASSEMBLY	EXTRAORDINARY MAINTENANCE
67	56396254	2	KNOB	EXTRAORDINARY MAINTENANCE
68	56412459	2	WHEEL	EXTRAORDINARY MAINTENANCE
69	30412A	1	HOSE SOLUTION VISION	EXTRAORDINARY MAINTENANCE
70	L08812967	1	CLAMP.HOSE D.50	EXTRAORDINARY MAINTENANCE
71	56112145	1	TUBE-PRESSURE SENSING	EXTRAORDINARY MAINTENANCE
73	56419275	3	GASKET	EXTRAORDINARY MAINTENANCE
74	56112554	1	KIT-SOLUTION LEVEL	EXTRAORDINARY MAINTENANCE
75	9097028000	1	VALVE ELBOW	EXTRAORDINARY MAINTENANCE
76	9097290000	1	HOSE FILLING	EXTRAORDINARY MAINTENANCE
77	56112345	1	FILL HOSE SUPPORT	EXTRAORDINARY MAINTENANCE
78	56601599	1	CAP-RAW WITH TETHER	EXTRAORDINARY MAINTENANCE
79	56112108	2	WHEEL	EXTRAORDINARY MAINTENANCE
80	909 6505 000	2	WHEEL D.60.SQUEEGEE	EXTRAORDINARY MAINTENANCE
81	56370711	2	NUT THUMB	EXTRAORDINARY MAINTENANCE
82	909 6052 000	1	SUPPORT SQUEEGEE SPRING	EXTRAORDINARY MAINTENANCE
83	52557A	1	KNOB SQUEEGEE LIFT ENCORE17	EXTRAORDINARY MAINTENANCE
84	909 6635 000	2	HOLDER.FLAT TIE	EXTRAORDINARY MAINTENANCE

NOTE 1: EMC Filter Kit 56112353 is obsolete and replaced by 56112349.

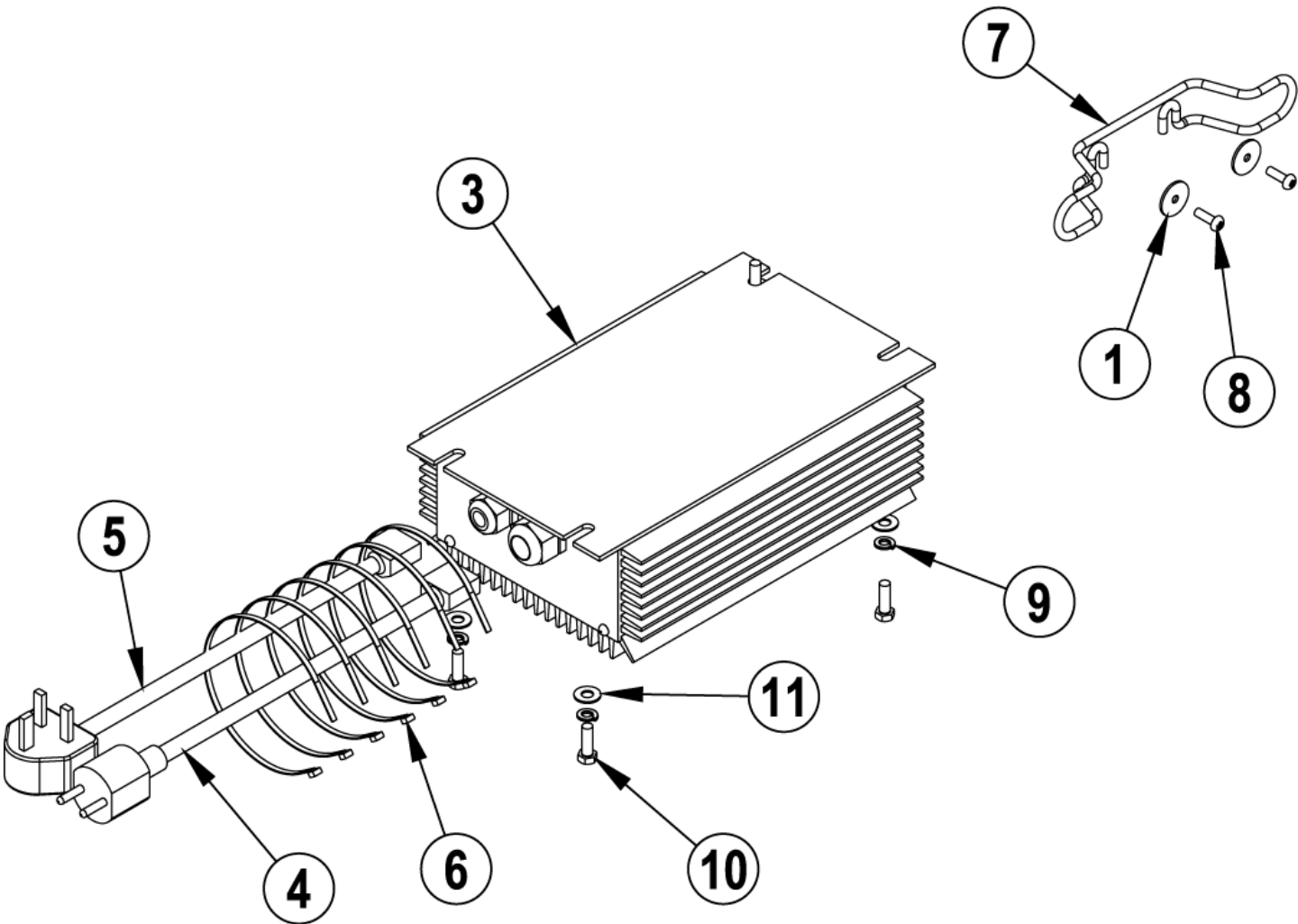
56112245 - Onboard Charger Kit-EU

SC 800

21-01-2015

Part List ID
IS56090019

42



56112245 - Onboard Charger Kit-EU

SC 800

21-01-2015

Part List ID
1S56090019

43

Pos	Part no.	Qty	Description	
0	56112245	1	KIT-ON BOARD CHARGER-EU	TSB US 2011-0002 Charger Interlock Wiring Update S
1	56009096	2	WSH FLT .193X.875X.060	
3	56114378	1	BATTERY CHARGER 24V 25A	TSB US 2011-0002 Charger Interlock Wiring Update S
4	56383388	1	CORD-CHARGER EUROPE	(56112245)
5	56383389	1	CORD-CHARGER UK	(56112245)
6	56478523	8	CABLE TIE E00549	
7	1466317000	1	SUPPORT CABLE KIT	
8	964004	2	SCREW M5X16 PN ST PH	
9	980657	4	WASHER LOCK 1/4 STD	
10	57994A	4	SCREW M6 X 20 HEX HD	
11	87026A	4	WASHER .250 FLAT SS	

Power cord bracket

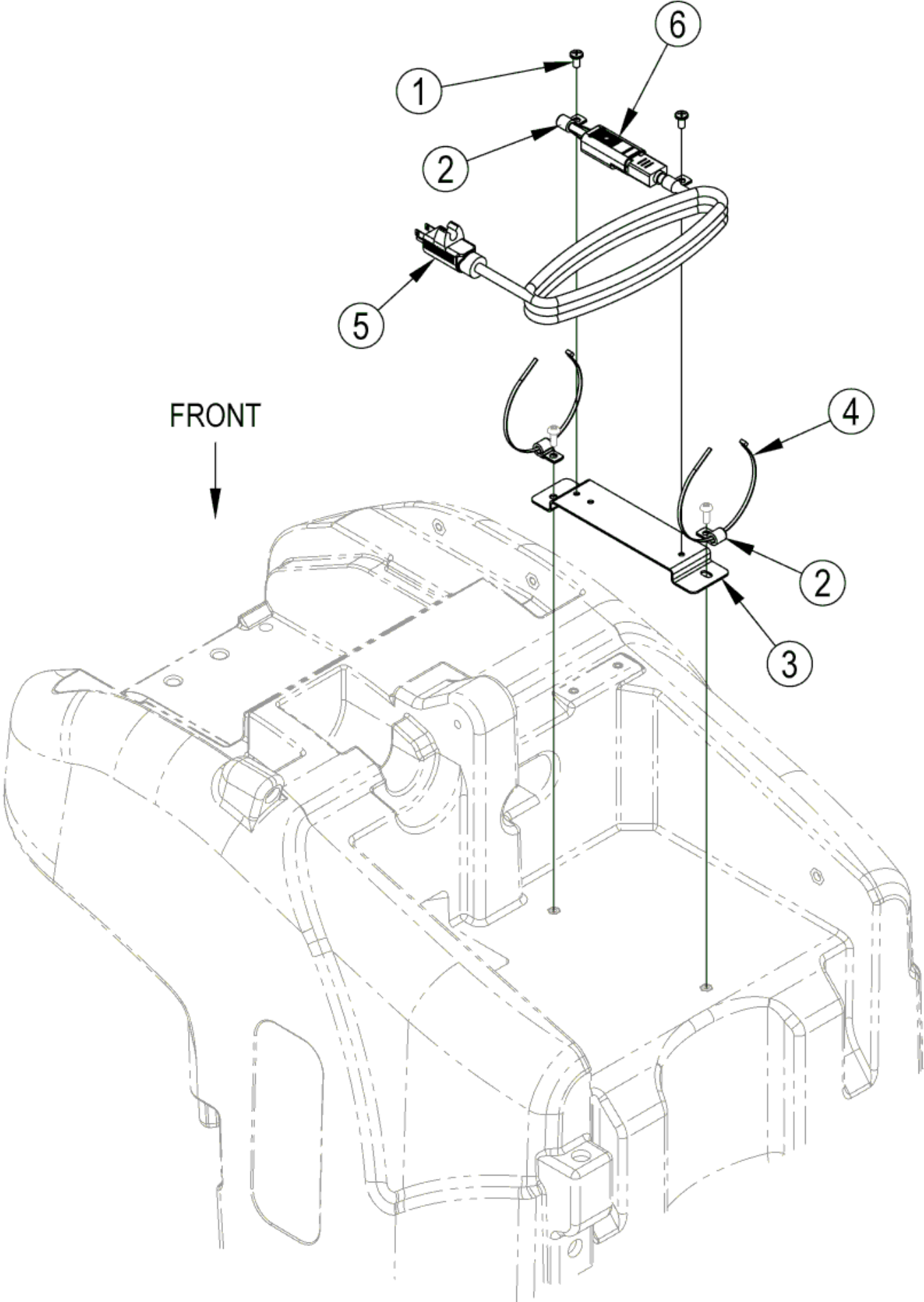
SC 800

21-01-2015

Part List ID

SC80030

44



Power cord bracket

SC 800

21-01-2015

Part List ID
SC80030

45

Pos	Part no.	Qty	Description
0	56383394	1	POWER CORD BRACKET KIT EU/UK
1	56009062	2	SCR PAN PHIL THD FORM1/4-20X.5
2	56323260	4	CLAMP CABLE
4	56478523	2	CABLE TIE E00549
5	56383388	1	CORD-CHARGER EUROPE
5	56383389	1	CORD-CHARGER UK
6	56383391	1	PLUG IEC 60320 SHEET E

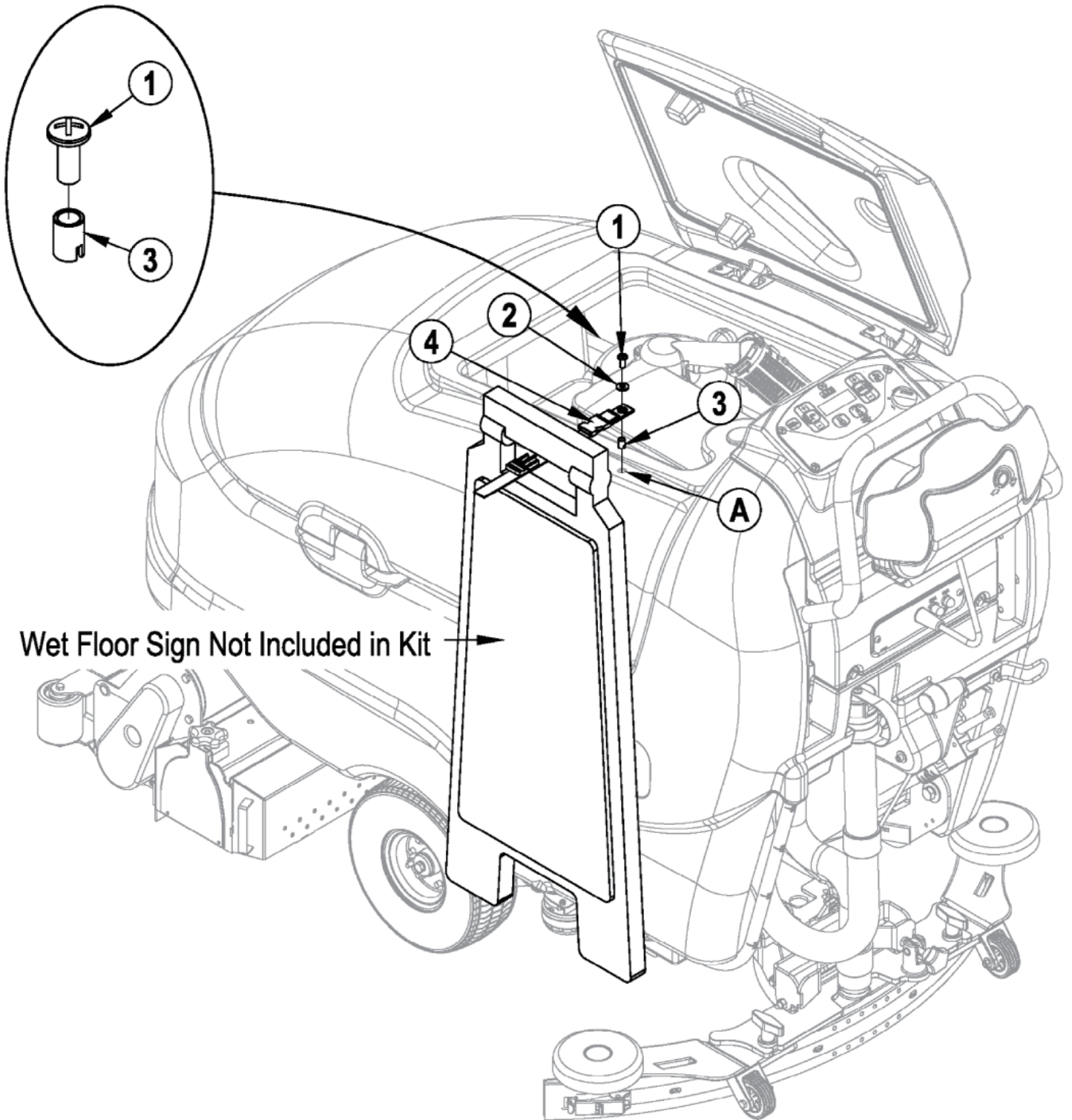
56112140 - Wet Floor Sign Holder Kit

SC 800

21-01-2015

Part List ID
IS56090021

46



56112140 - Wet Floor Sign Holder Kit

SC 800

21-01-2015

Part List ID
IS56090021

47

Pos	Part no.	Qty	Description
0	56112140	1	KIT-WET FLOOR HOLDER
1	56002066	1	SCR PAN PHIL 1/4-20 X .62
2	56002098	1	WSH FLT SAE 1/4
3	56009034	1	SCR PAN PHIL THD FORM 8-32X.88
4	56112149	1	POLYPROPYLENE STRAP

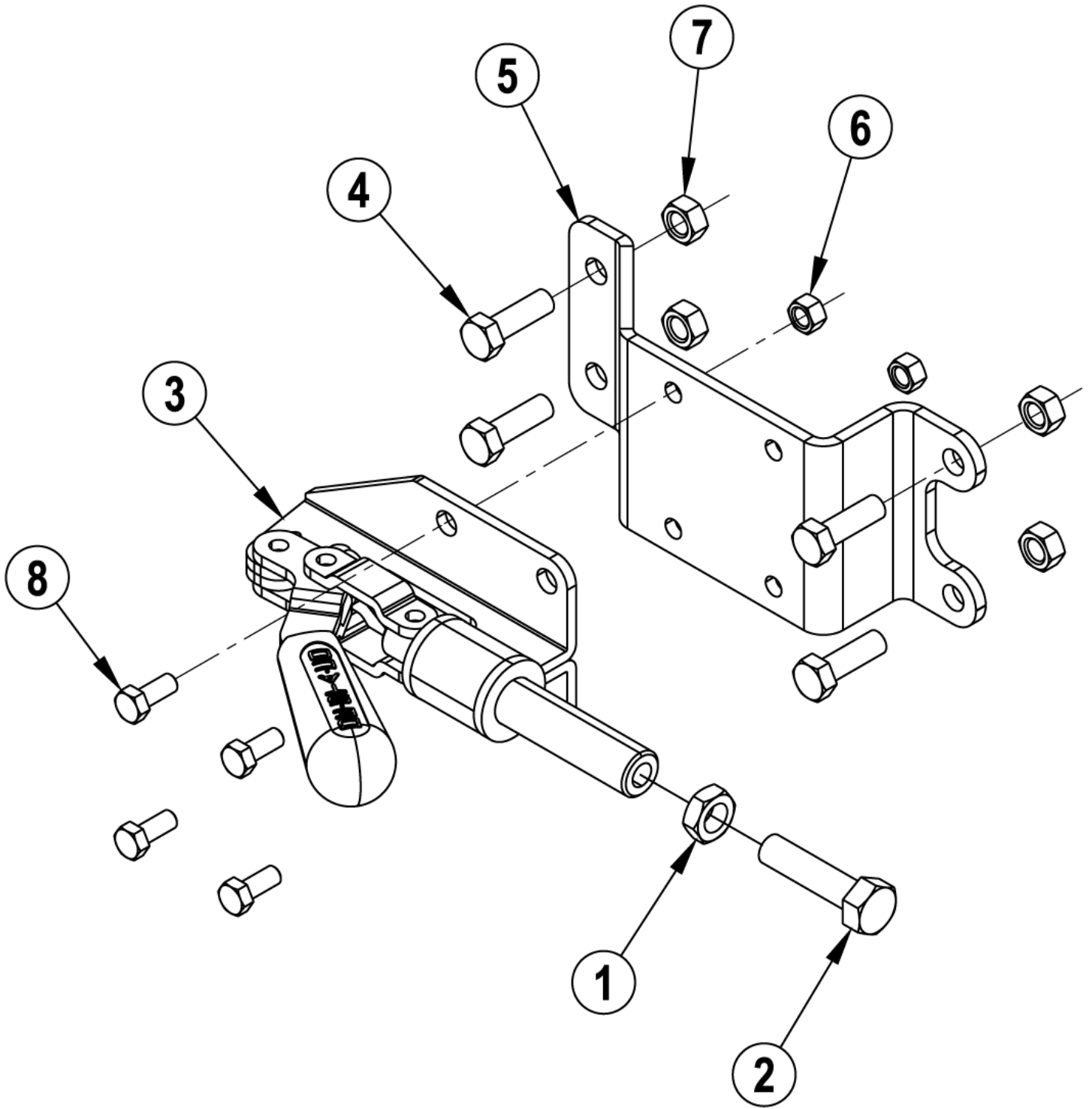
56112221 - Parking Brake Kit

SC 800

21-01-2015

Part List ID
IS56090024

48



56112221 - Parking Brake Kit

SC 800

21-01-2015

Part List ID
1S56090024

49

Pos	Part no.	Qty	Description
0	56112221	1	KIT PARKING BRAKE
1	920160	1	NUT-5/16-18 HEX JAM
2	962157	1	SCR 5/16-18 X 1-1/4 HX ST CAP
3	54772A	1	CLAMP TOGGLE STRAIGHT LINE
4	57994A	4	SCREW M6 X 20 HEX HD
5	61934A	1	BRACKET BRAKE
6	80196A	4	NUT M5-0.8 HEX NYLON INSERT
7	80199A	4	NUT M6-1 HEX NYLON LOCK S.S.
8	80249A	4	SCREWM5-.8X12MM HEX HEAD S.S.

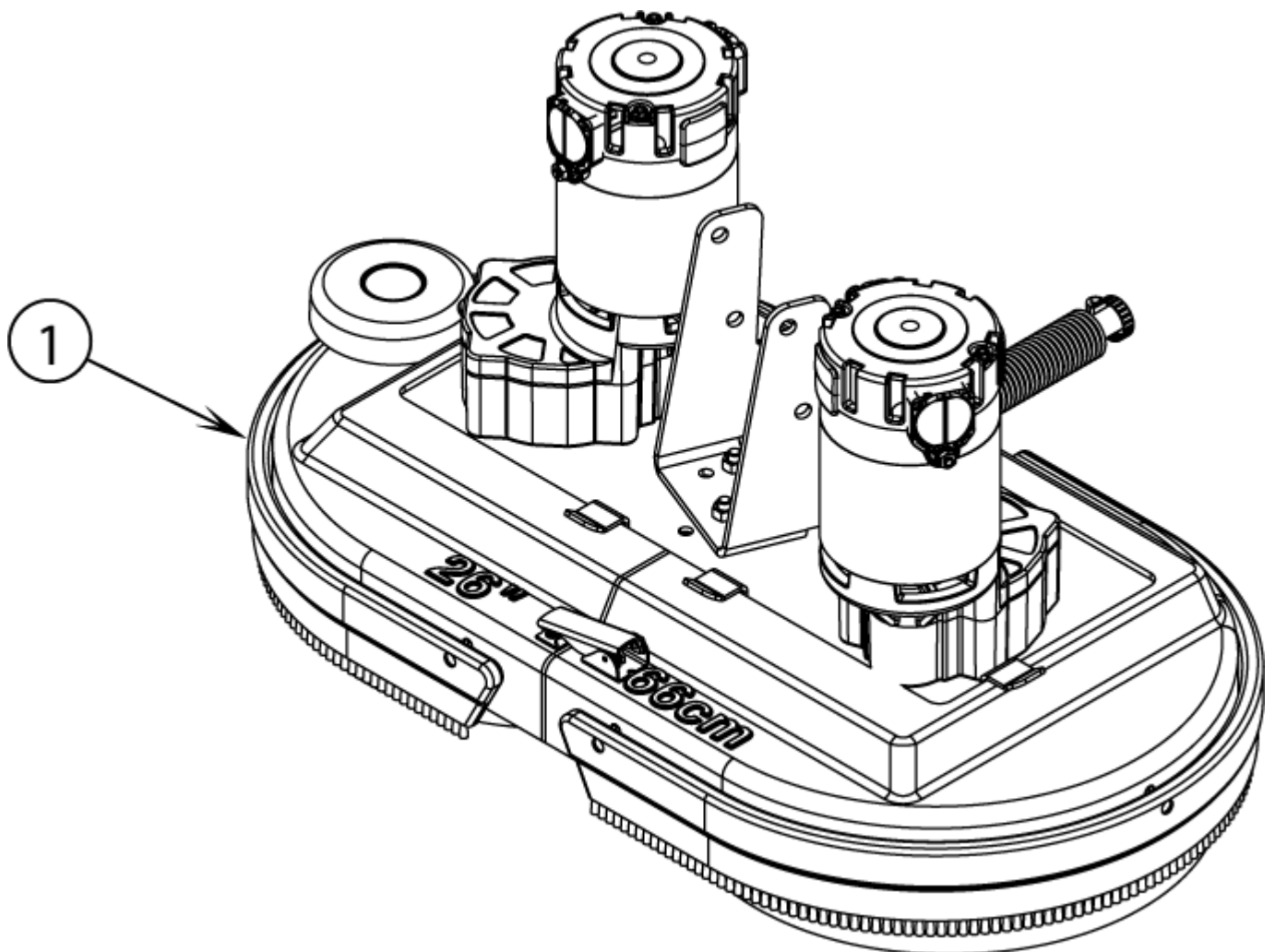
56112265 - Kit, 26" Disc Deck 24V

SC 800

21-01-2015

Part List ID
IS56090026P1

50



56112265 - Kit, 26" Disc Deck 24V

SC 800

21-01-2015

Part List ID
IS56090026P1

51

Pos	Part no.	Qty	Description
1		1	NOTE COMMENT SCRUB SYSTEM 26" DISC
10	56505760	1	PAD HOLDER-13 3 LUG
11	56505195	1	PAD RETAINER
12	56505765	1	DISC BRUSH-13 PROLITE 3 LUG
13	56505764	1	DISC BRUSH-13 PROLENE 3 LUG
14	56505766	1	DISC BRUSH-13 UNION MIX 3 LUG
15	56505763	1	DISC BRUSH-13 AGLITE 3 LUG
16	56505767	1	DISC BRUSH-13 MIDGRIT 3 LUG
17	56505768	1	DISC BRUSH-13 MIDLITE 3 LUG
18	56505762	1	DISC BRUSH-13 DYNAGRIT 3 LUG
19	56505761	1	DISC BRUSH-13 MAGNAGRIT 3 LUG
50	56112247	1	BLADE KIT-SQUEEGEE GUM
52	56112332	1	BLADE KIT-SQUEEGEE PU
53	56112330	1	BLADE KIT-SQUEEGEE GUM
54	56112331	1	BLADE KIT-SQUEEGEE RED GUM
55	56112332	1	BLADE KIT-SQUEEGEE PU

Pos. 1-19: Compatible 26" Brushes

Pos. 30: Available 26" Disc Deck Skirt

Pos. 40: Compatible Squeegee

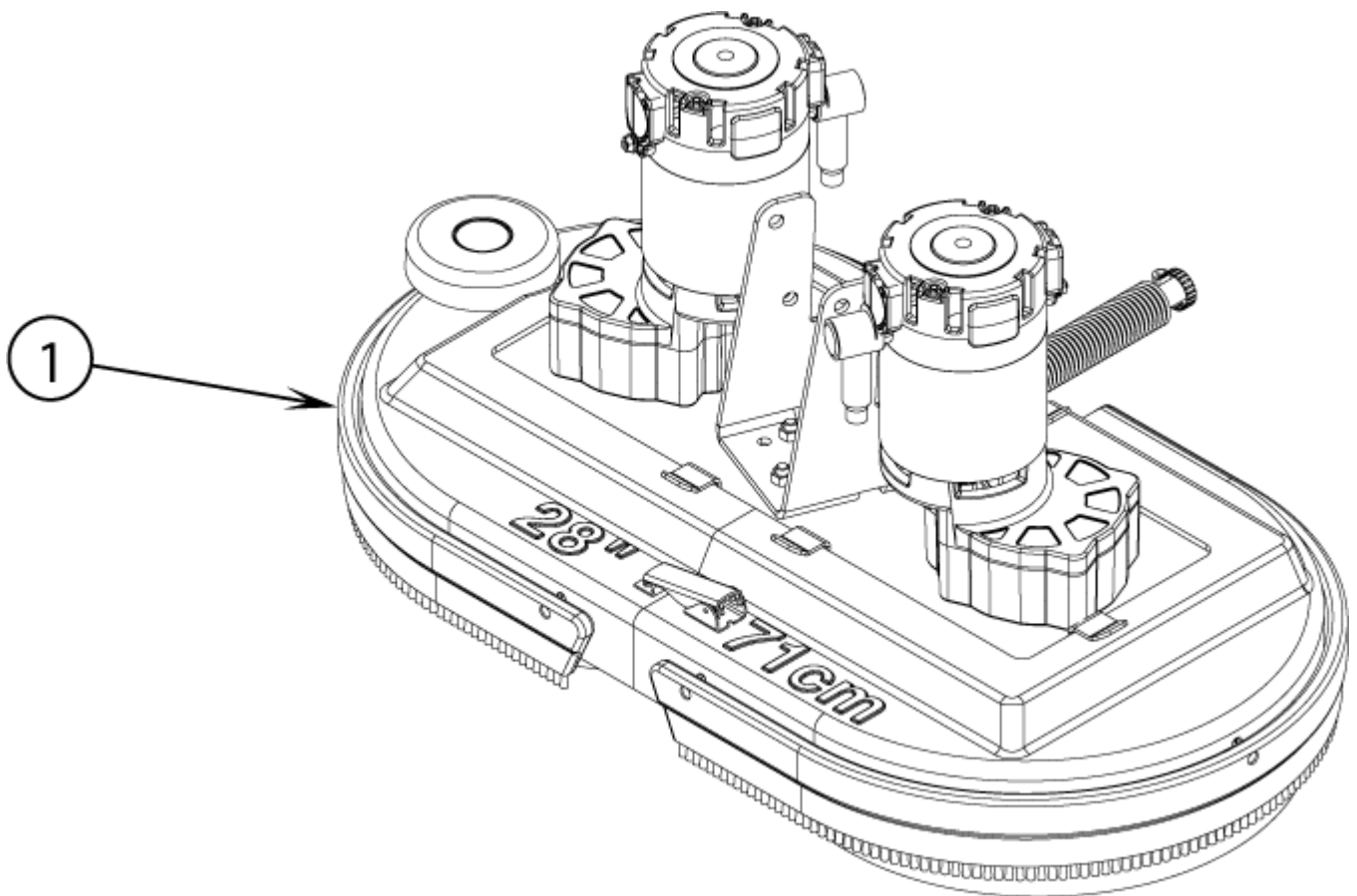
56112266 - Kit, 28" Disc Deck 24V

SC 800

21-01-2015

Part List ID
IS56090026P2

52



56112266 - Kit, 28" Disc Deck 24V

SC 800

21-01-2015

Part List ID
IS56090026P2

53

Pos	Part no.	Qty	Description
1		1	NOTE COMMENT SCRUBSYSTEM28"DISC
10	56505800	1	PAD HOLDER-14 3 LUG
11	56505195	1	PAD RETAINER
12	56505805	1	DISC BRUSH-14 PROLITE 3 LUG
13	56505804	1	DISC BRUSH-14 PROLENE 3 LUG
14	56505806	1	DISC BRUSH-14 UNION MIX 3 LUG
15	56505803	1	DISC BRUSH-14 AGLITE 3 LUG
16	56505807	1	DISC BRUSH-14 MIDGRIT 3 LUG
17	56505808	1	DISC BRUSH-14 MIDLITE 3 LUG
18	56505802	1	DISC BRUSH-14 DYNAGRIT 3 LUG
19	56505801	1	DISC BRUSH-14 MAGNAGRIT 3 LUG
30	56112225	1	BRISTLE SKIRT-28D
50	56112247	1	BLADE KIT-SQUEEGEE GUM
52	56112332	1	BLADE KIT-SQUEEGEE PU
53	56112330	1	BLADE KIT-SQUEEGEE GUM
54	56112331	1	BLADE KIT-SQUEEGEE RED GUM
55	56112332	1	BLADE KIT-SQUEEGEE PU

Pos. 1-19: Compatible 28" Brushes

Pos. 30: Available 28" Disc Deck Skirt

Pos. 40: Compatible Squeegee

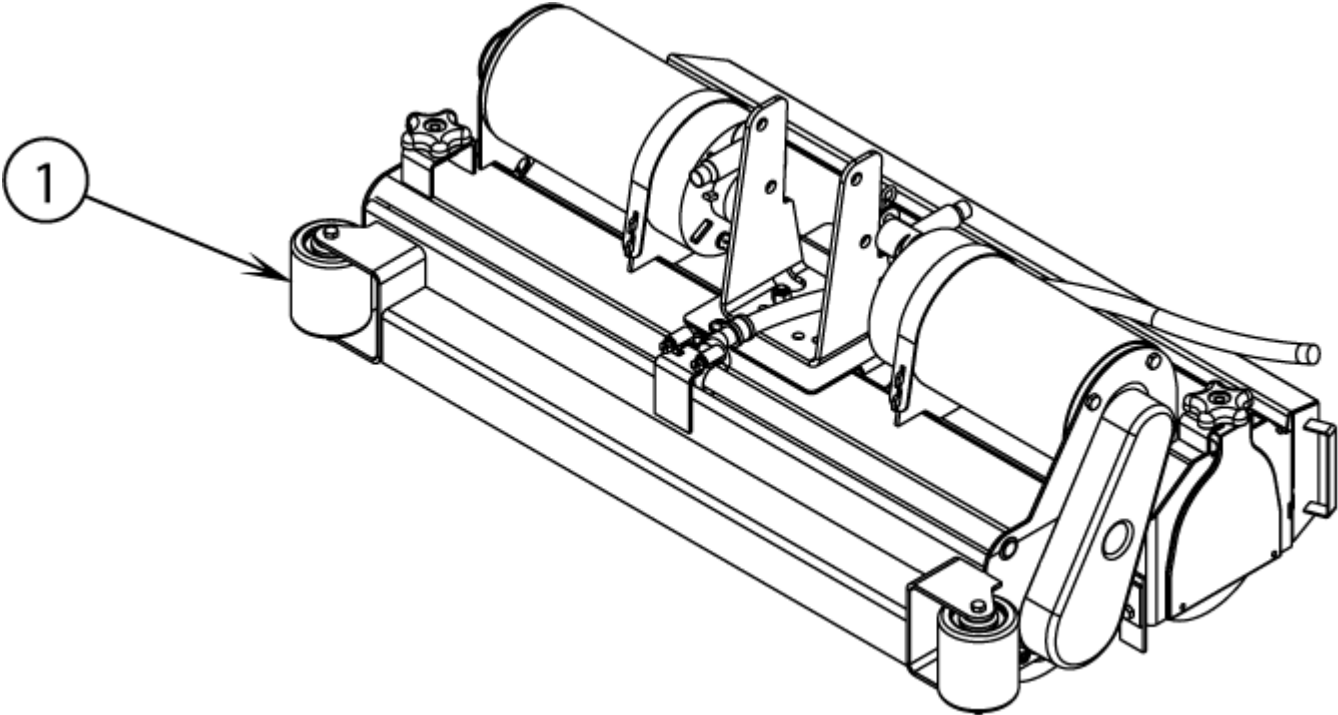
56112267 - Kit, 28" Cylindrical Deck 24V

SC 800

21-01-2015

Part List ID
IS56090026P3

54



56112267 - Kit, 28" Cylindrical Deck 24V

SC 800

21-01-2015

Part List ID
IS56090026P3

55

Pos	Part no.	Qty	Description
1		1	NOTE COMMENT SCRUB SYSTEM 28" CYLINDRICAL
10	56412191	1	BRUSH SOFT NYLON 28-YELLOW
11	56412192	1	BRUSH HARD NYLON 28-NATURAL
12	56412046	1	BRUSH POLYPROPYLENE 28-RED
13	56412193	1	BRUSH 180 GRIT 28-BLUE/GREY
14	56412194	1	BRUSH 80 GRIT 28 BLACK
15	56412195	1	BRUSH 46 GRIT 28 ORANG/BROWN
30	56315321	1	BELT AUTO TENSION
40	56407391	1	BLADE DECK GUM
60	56112247	1	BLADE KIT-SQUEEGEE GUM
62	56112332	1	BLADE KIT-SQUEEGEE PU
63	56112330	1	BLADE KIT-SQUEEGEE GUM
64	56112331	1	BLADE KIT-SQUEEGEE RED GUM
65	56112332	1	BLADE KIT-SQUEEGEE PU

Pos. 10-15: Compatible 28" Brushes

Pos. 30: Available Belt

Pos. 40: Available Blade

Pos. 50: Compatible Squeegee

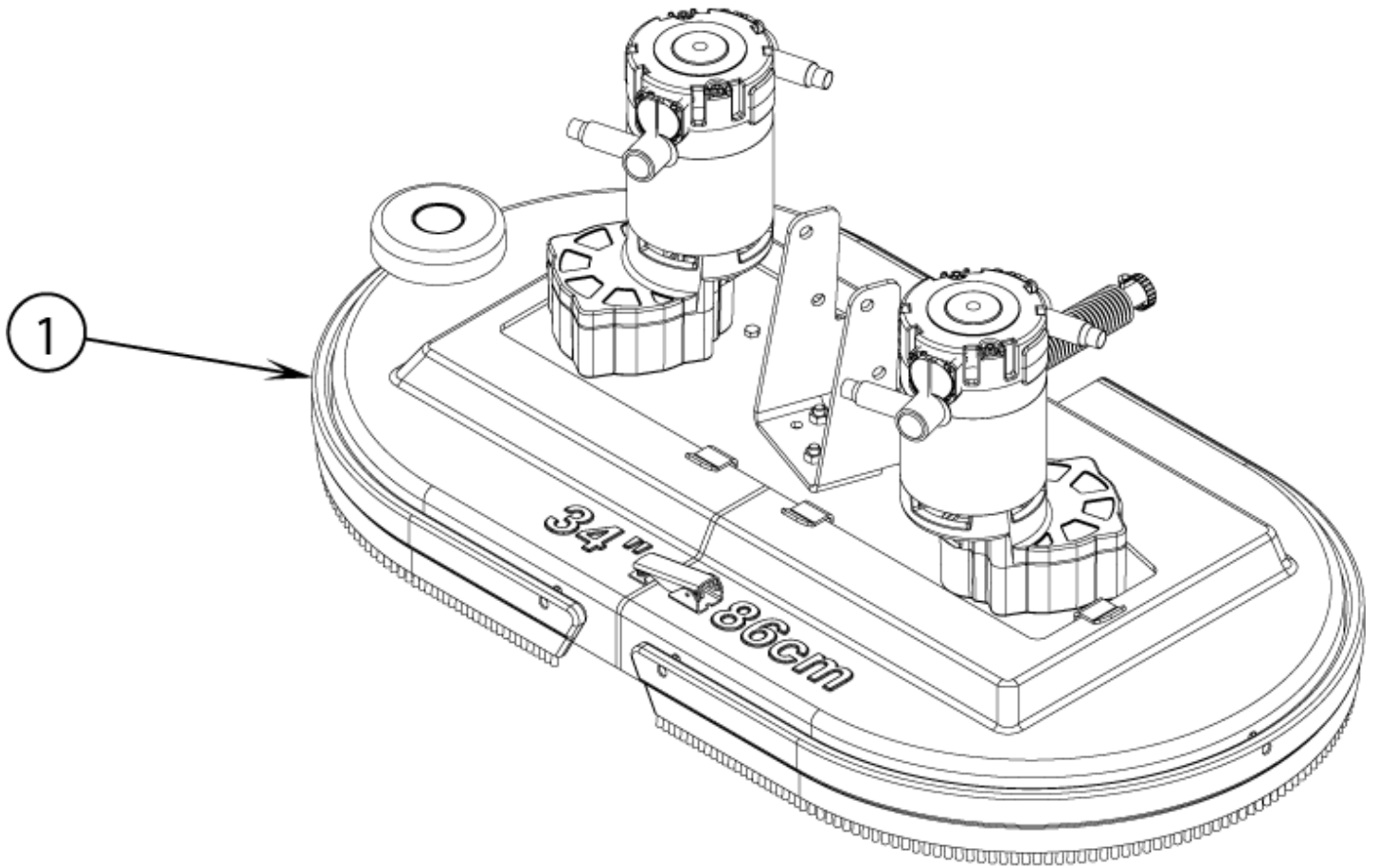
56112279 - Kit, 34" Disc Deck 24V

SC 800

21-01-2015

Part List ID
IS56090026P4

56



56112279 - Kit, 34" Disc Deck 24V

SC 800

21-01-2015

Part List ID
IS56090026P4

57

Pos	Part no.	Qty	Description
1		1	NOTE COMMENT SCRUB SYSTEM 34" DISC
10	56505780	1	PAD HOLDER-17 3 LUG
11	56505195	1	PAD RETAINER
12	56505785	1	DISC BRUSH-17 PROLITE 3 LUG
13	56505784	1	DISC BRUSH-17 PROLENE 3 LUG
14	56505786	1	DISC BRUSH-17 UNION MIX 3 LUG
15	56505783	1	DISC BRUSH-17 AGLITE 3 LUG
16	56505787	1	DISC BRUSH-17 MIDGRIT 3 LUG
17	56505788	1	DISC BRUSH-17 MIDLITE 3 LUG
18	56505782	1	DISC BRUSH-17 DYNAGRIT 3 LUG
19	56505781	1	DISC BRUSH-17 MAGNAGRIT 3 LUG
30	56112227	1	BRISTLE SKIRT-34D
50	56112333	1	BLADE KIT-SQUEEGEE GUM
51	56112334	1	BLADE KIT-SQUEEGEE RED GUM
52	56112252	1	BLADE KIT-SQUEEGEE PU
53	56112333	1	BLADE KIT-SQUEEGEE GUM
54	56112334	1	BLADE KIT-SQUEEGEE RED GUM
55	56112335	1	BLADE KIT-SQUEEGEE PU

Pos. 10-19: Compatible 34" Brushes

Pos. 30: Available 34" Disc Deck Skirt

Pos. 40: Compatible Squeegee

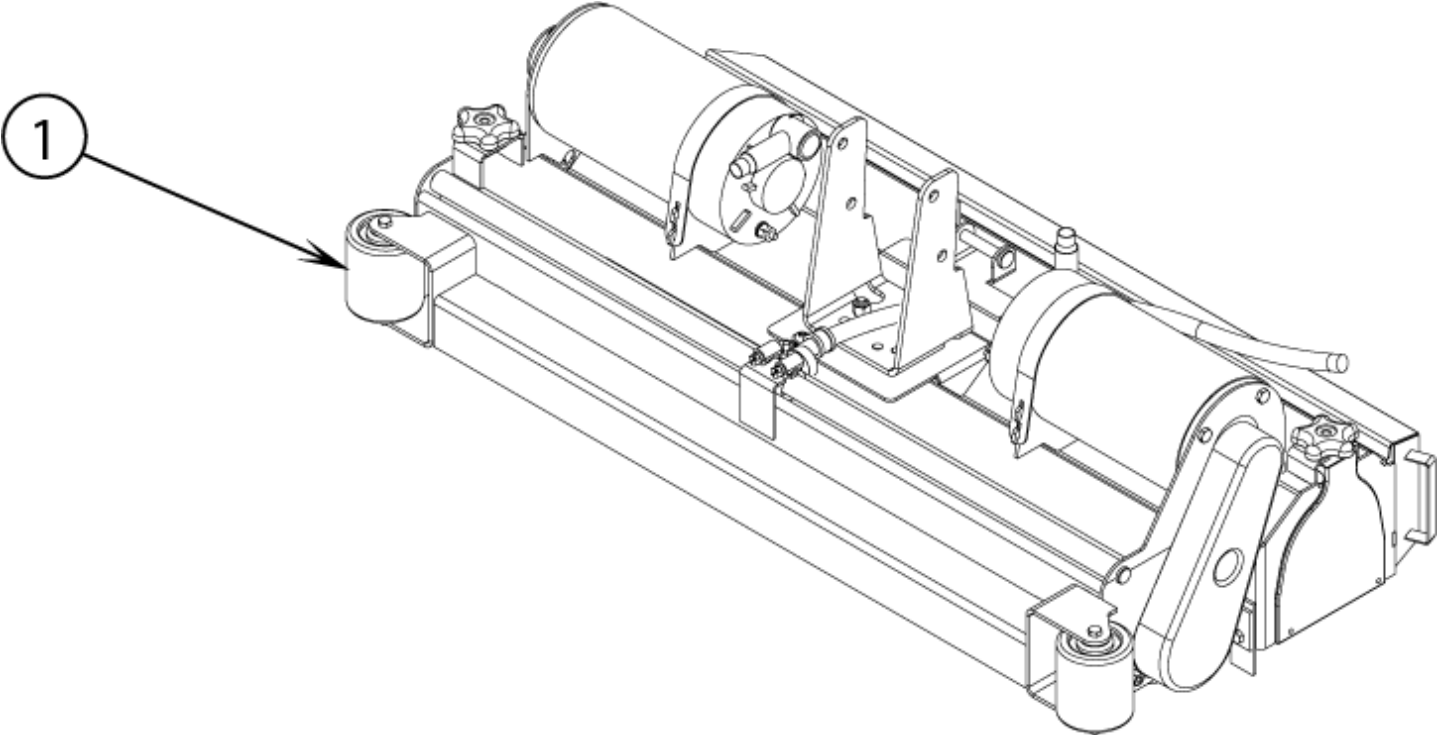
56112280 - Kit, 32" Cylindrical Deck 24V

SC 800

21-01-2015

Part List ID
IS56090026P5

58



56112280 - Kit, 32" Cylindrical Deck 24V

SC 800

21-01-2015

Part List ID
IS56090026P5

59

Pos	Part no.	Qty	Description
1		1	NOTE COMMENT SCRUBSYSTEM32"CYLINDRICAL
10	56407473	1	BRUSH SOFT NYLON 32-YELLOW
11	56407474	1	BRUSH HARD NYLON 32-NATURAL
13	56407476	1	BRUSH 180 GRIT 32-BLUE/GREY
14	56407477	1	BRUSH 80 GRIT 32-BLACK
15	56407478	1	BRUSH 46 GRIT 32-ORANGE/BROWN
30	56315321	1	BELT AUTO TENSION
40	56407391	1	BLADE DECK GUM
60	56112333	1	BLADE KIT-SQUEEGEE GUM
61	56112334	1	BLADE KIT-SQUEEGEE RED GUM
62	56112252	1	BLADE KIT-SQUEEGEE PU
63	56112333	1	BLADE KIT-SQUEEGEE GUM
64	56112334	1	BLADE KIT-SQUEEGEE RED GUM
65	56112335	1	BLADE KIT-SQUEEGEE PU

Pos. 10-15: Compatible 32" Brushes

Pos. 30: Available Belt

Pos. 40: Available Blade

Pos. 50: Compatible Squeegee

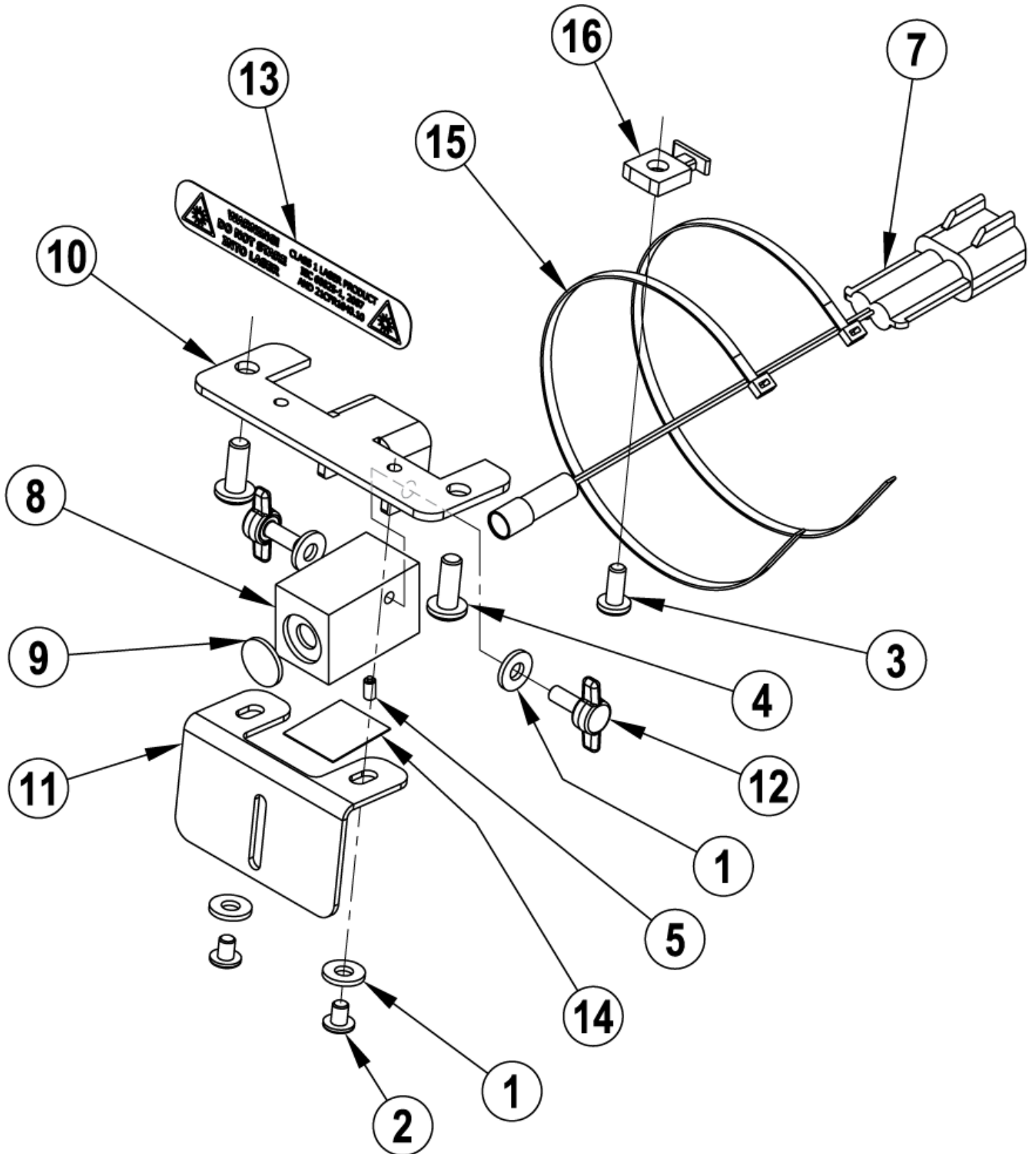
56112138 - Laser Kit

SC 800

21-01-2015

Part List ID
IS56090027

60



56112138 - Laser Kit

SC 800

21-01-2015

Part List ID
IS56090027

61

Pos	Part no.	Qty	Description
0	56112138	1	KIT-LASER
1	56001954	4	WSH FLT SAE 10
2	56002453	2	SCR PAN PHIL 10-24 X .25
3	56003377	1	SCR PAN PHIL M5X12MM
4	56003627	2	SCR PAN PHIL M6 1.00 X 16MM
5	56003811	1	SCR-SOC SET SS NYL TIP 6-32X
7	56112136	1	LASER
8	56112137	1	LASER HOUSING
9	56112142	1	CLEAR LENS
10	56112143	1	LASER SUPPORT BRKT
11	56112146	1	LASER SHIELD
12	56112264	2	T-KNOB ASSEMBLY
13	56112298	1	DECAL-LASER WARNING
14	56112301	1	DECAL-LASER WARNING
15	56478523	2	CABLE TIE E00549
16	52548A	1	TAB 1/4 SCREW ENCORE 17

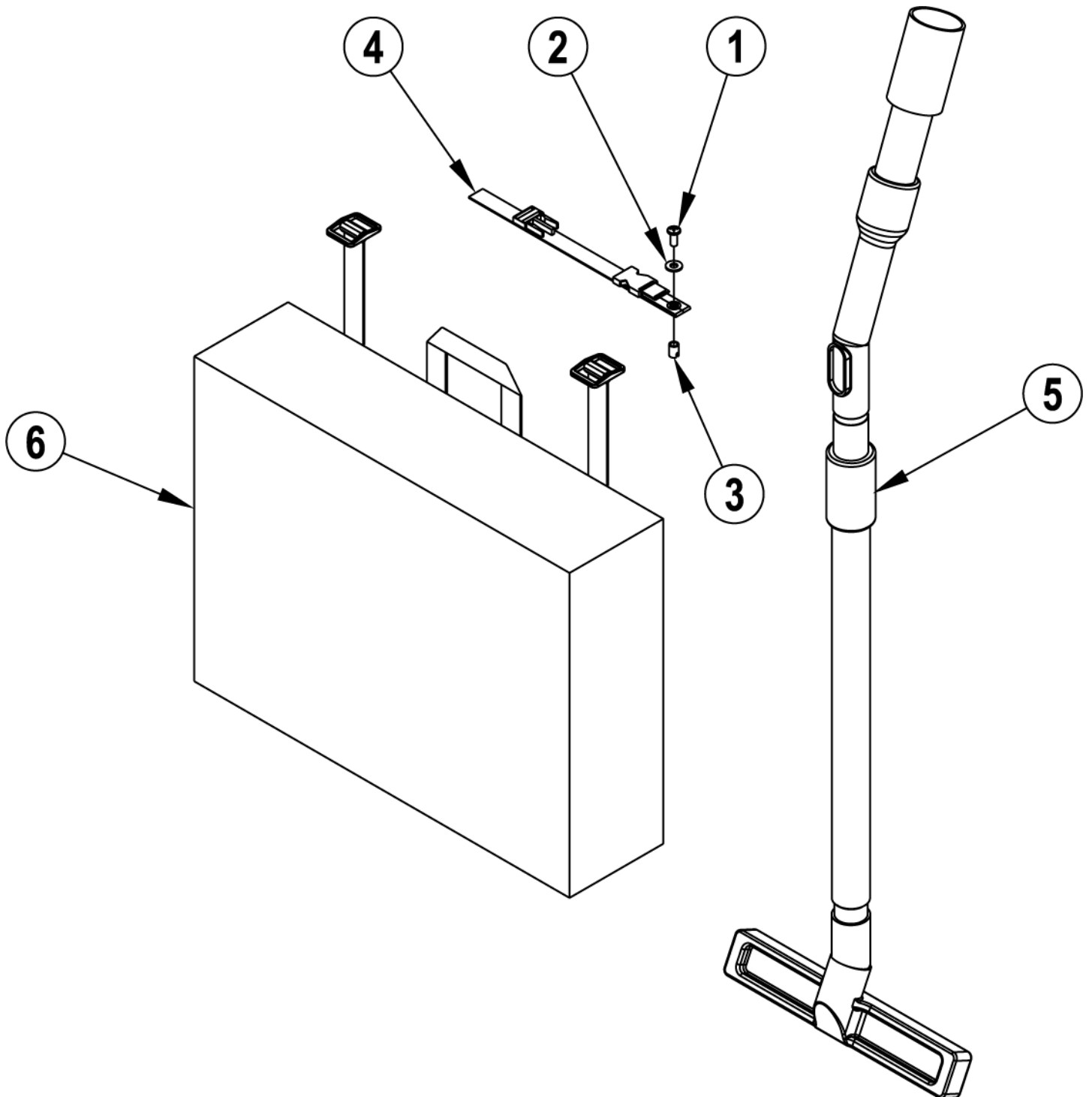
56112141 - Vacuum Wand with Tote Bag Kit

SC 800

21-01-2015

Part List ID
IS56090028

62



56112141 - Vacuum Wand with Tote Bag Kit

SC 800

21-01-2015

Part List ID
1S56090028

63

Pos	Part no.	Qty	Description
0	56112141	1	KIT-VAC WAND WITH TOTE BAG
1	56002066	1	SCR PAN PHIL 1/4-20 X .62
2	56002098	1	WSH FLT SAE 1/4
3	56009304	1	INSERT SELF TAPPING 1/4 20
4	56112149	1	POLYPROPYLENE STRAP
5	56315309	1	SCRUB/VAC WAND HOSE
6	56315316	1	TOTE BAG

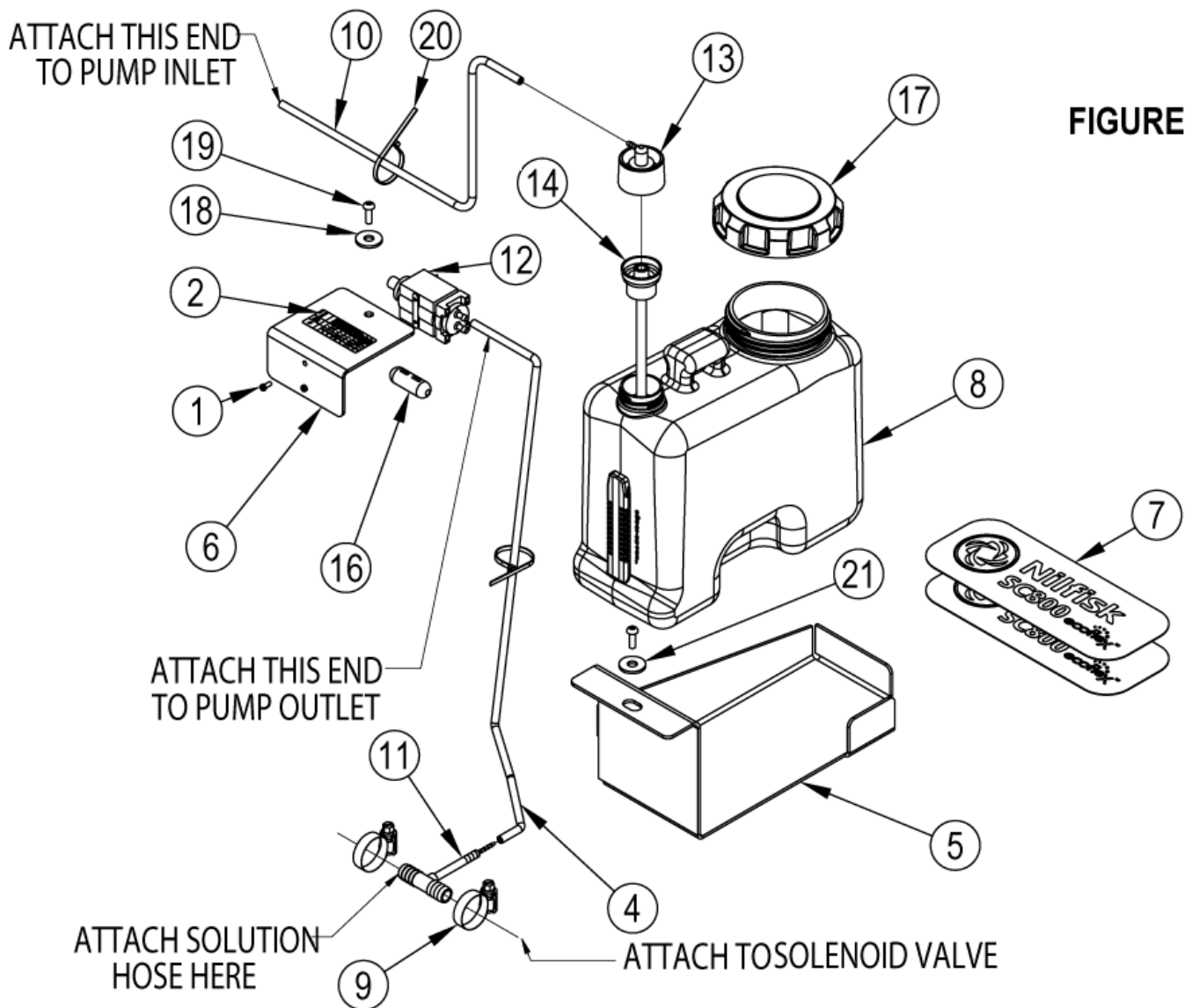
56112244 - Chemical Injection Kit

SC 800

21-01-2015

Part List ID
IS56090029

64



56112244 - Chemical Injection Kit

SC 800

21-01-2015

Part List ID
1S56090029

65

Pos	Part no.	Qty	Description
0	56112244	1	KIT-CHEMICAL INJECTION EU
1	56002539	2	SCR PAN PHIL TD FORM 6-32 X.31
2	56016331	1	DECAL CHEMICAL RATIO
4	56413692	1	HOSE CHEMICAL RESISTANT 21.00
5	56112125	1	BRACKET-BOTTLE SUPPORT
6	56112126	1	BRACKET-PUMP MOUNT
7	56112532	2	DECAL-NILFISK SC800 ECOFLEX
8	56601544	2	CHEMICAL BOTTLE ASSEMBLY
9	722030	1	CLAMP HOSE 6
10	56306169	1	HOSE CHEM RESISTANT 17.00
11	56314983	1	TEE ASSEMBLY
12	56315241	1	PUMP CHEMICAL
13	56315523	1	CAP DRY BREAK 1/8 BARB
14	56315527	1	INSERT DRY BREAK
16	56601514	1	FERRITE BEAD
17	56315517	1	CAP
18	56002098	1	WSH FLT SAE 1/4
19	56003627	1	SCR PAN PHIL M6 1.00 X 16MM
20	56325219	2	CABLE TIE E00549 HC360C
21	56009060	1	WSH FLT SS .260X1.000X.074

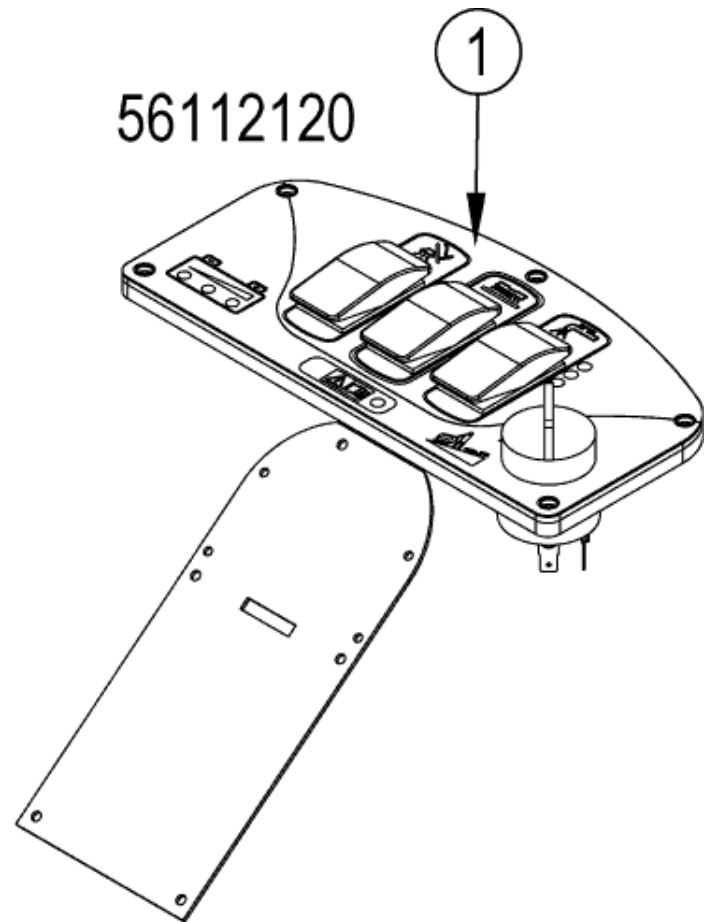
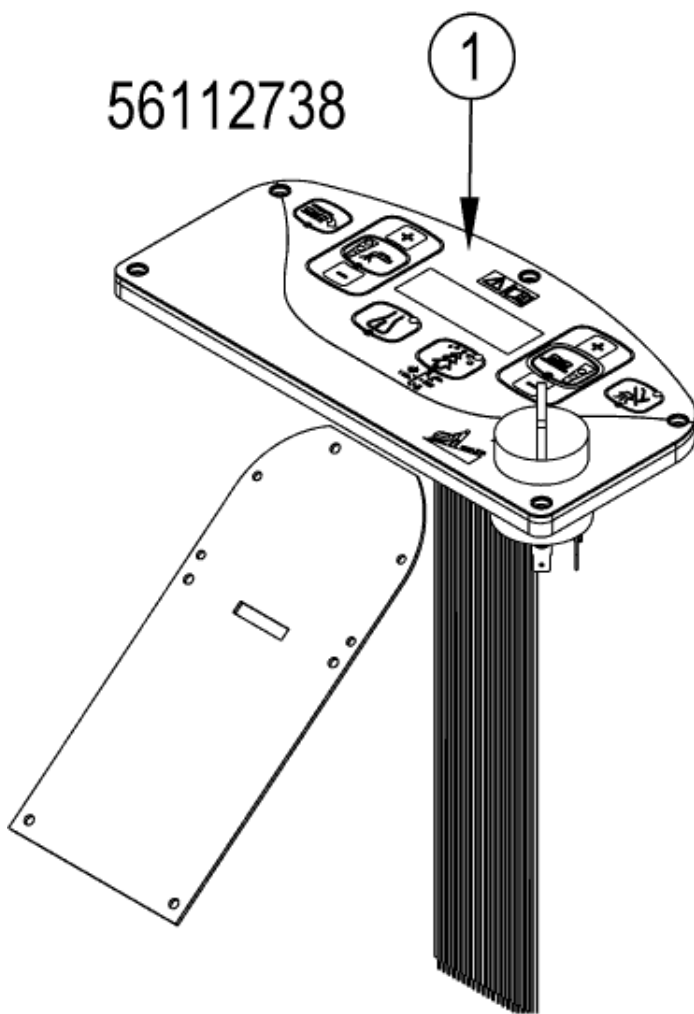
56112351/56112352 - Control Panel Kits

SC 800

21-01-2015

Part List ID
IS56090067

66



56112351/56112352 - Control Panel Kits

SC 800

21-01-2015

Part List ID
IS56090067

67

Pos	Part no.	Qty	Description	
0	56112351	1	KIT-AXP CONTROL BOARD	
0	56112352	1	KIT-ST CONTROL BOARD	
1	56112738	1	INTERFACE PANEL ASSY-AXP	56112351

56383384 - POWER CORD BRACKET KIT

SC 800

21-01-2015

Part List ID
IS56090165

68

No Drawing For Part List

56383384 - POWER CORD BRACKET KIT

SC 800

21-01-2015

Part List ID
IS56090165

69

Pos	Part no.	Qty	Description
1	56009062	2	SCR PAN PHIL THD FORM1/4-20X.5
2	56323260	4	CLAMP CABLE
3	56383383	1	POWER CORD BRACKET
4	56478523	2	CABLE TIE E00549