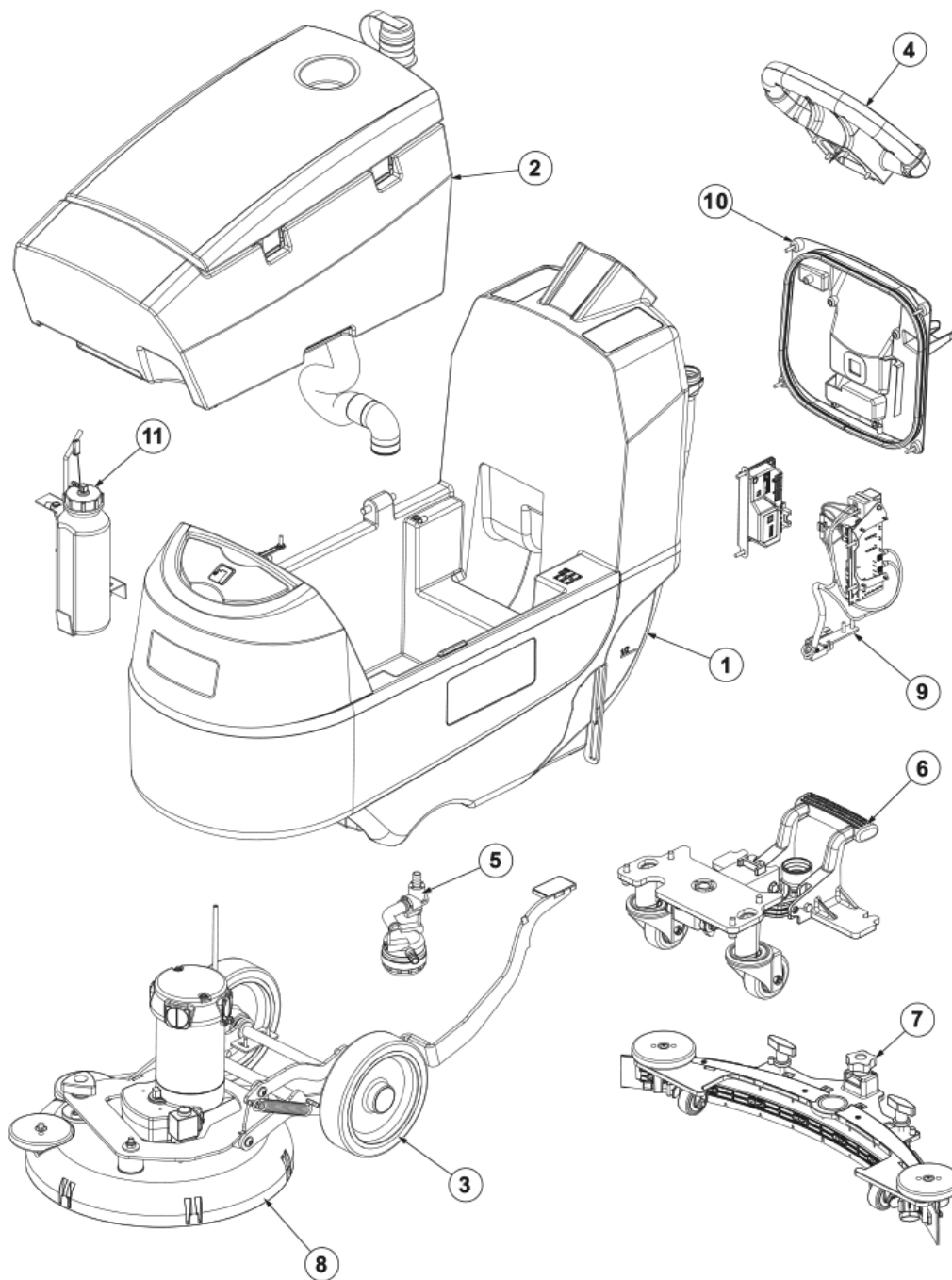


PARTS LIST

2021.12.15

TABLE OF CONTENTS

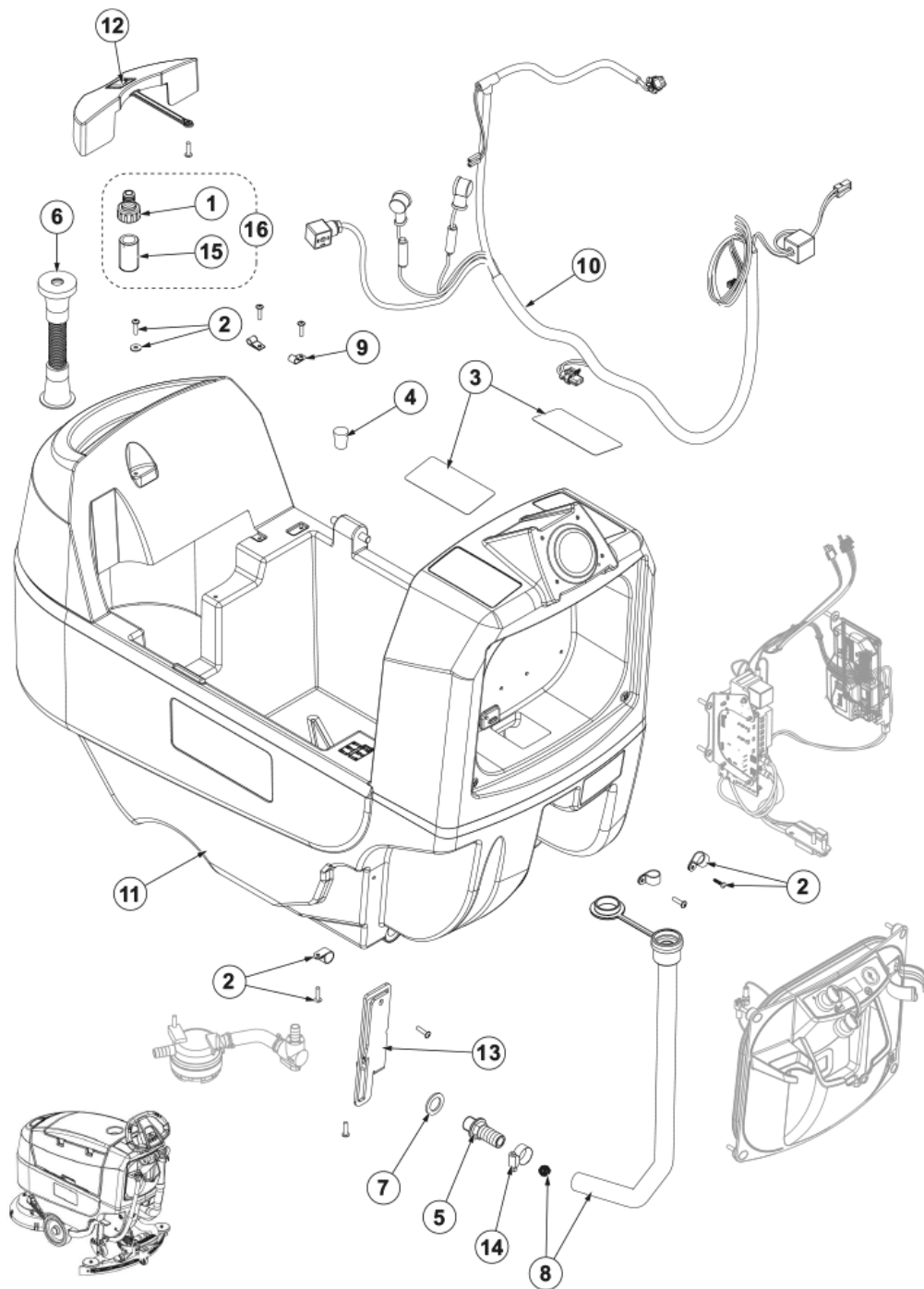
PL GENERAL VIEW	1
PL SOLUTION TANK SYSTEM	3
PL RECOVERY TANK SYSTEM	5
PL VACUUM MOTOR SYSTEM	7
PL WHEELS SYSTEM (NO DRIVE)	9
PL HANDLEBAR SYSTEM (NO DRIVE)	11
PL BRUSH DECK (NO DRIVE)	13
PL BATTERY CHARGER	15
PL DETERGENT SYSTEM	17
PL ACCESSORIES - OPTIONALS	19
PL WIRING DIAGRAM (NO DRIVE)	21
PL RECOMMENDED PARTS	23
PL ELECTRICAL COMPONENTS SYSTEM (NO DRIVE)	26
PL COVER ELECTRONIC SYSTEM (NO DRIVE)	28
PL REAR WHEELS SYSTEM	30
PL SQUEEGEE SYSTEM	32
PL BRUSHES	34



No.	Part No.	Qty.	Description	Part Note
1		1	SOLUTION TANK SYSTEM	[1]
2		1	RECOVERY TANK SYSTEM	[2]
3		1	WHEELS SYSTEM	[3]
4		1	HANDLEBAR SYSTEM	[4]
5		1	SOLUTION SYSTEM	[5]
6		1	REAR WHEELS SYSTEM	[6]
7		1	SQUEEGEE SYSTEM	[7]
8		1	BRUSH DECK SYSTEM	[8]
9		1	ELECTRICAL COMPONENTS SYSTEM	[9]
10		1	COVER ELECTRONIC SYSTEM	[10]
11		1	DETERGENT SYSTEM	[11]

Part Notes:

- [1] - PL SOLUTION TANK SYSTEM
- [2] - PL RECOVERY TANK SYSTEM
- [3] - PL WHEELS SYSTEM
- [4] - PL HANDLEBAR SYSTEM
- [5] - PL SOLUTION SYSTEM
- [6] - PL REAR WHEELS SYSTEM
- [7] - PL SQUEEGEE SYSTEM
- [8] - PL BRUSH DECK
- [9] - PL ELECTRICAL COMPONENTS SYSTEM
- [10] - PL COVER ELECTRONIC SYSTEM
- [11] - PL DETERGENT SYSTEM



PL SOLUTION TANK SYSTEM

SC401 B FULL PKG NIL

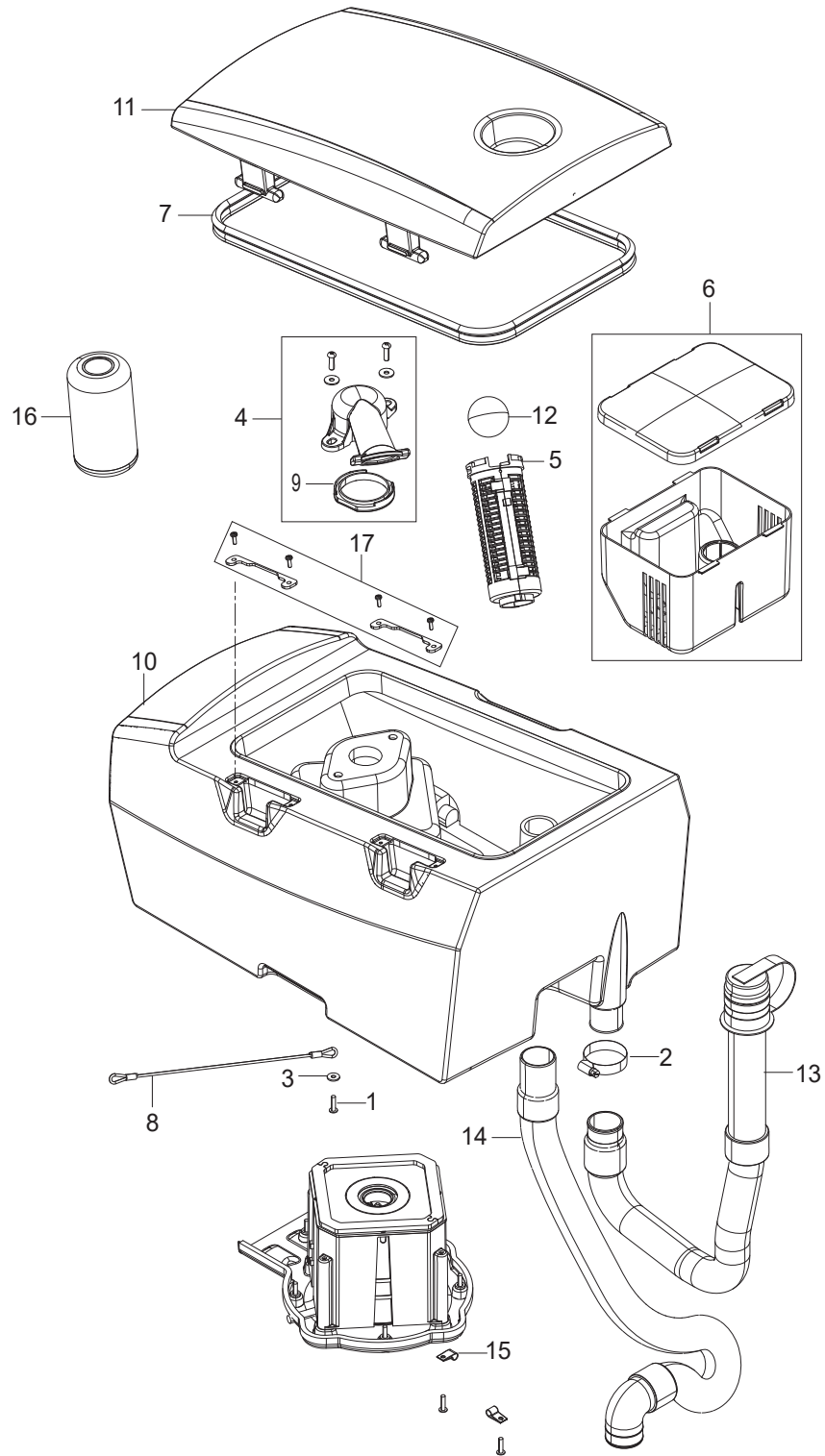
2017.11.02

2020.02.11

No.	Part No.	Qty.	Description	Part Note
1	1402809	1	QUICK COUPLING MALE W.	
2	9100002424	1	HARDWARE SOLUTION TANK KIT	
3	9100002434	1	DECALS FUNCTIONS SETTING KIT	
4	909 6236 000	1	CAP BLACK	
5	9100000574	1	BARB HOSE STRAIGHT	
6	9100000703	1	HOSE FILLING PKD	
7	9100001139	1	GASKET RUBBER	
8	9100002431	1	HOSE FRESH WATER LEV. W/CAP KIT	
9	L08193000	2	CLAMP CABLE BLACK	
10	9100002425	1	HARNESS MACHINE DRIVE SIP	
11	9100002427	1	TANK SOLUTION 30L PLAST. GREY DRIVE SIP	[1]
11	9100002428	1	TANK SOLUTION 30L PLAST. GREY SIP	[2]
12	9100002430	1	CAP RUBBER F SOLUTION TANK SIP	
13	9100002432	1	SUPPORT PEDAL SS F DRIVE VERS. SIP	
14	L08603916	1	Clamp	
15	9100002435	1	CONNECTOR MALE THD 3/4 G PLAST.BLACK SIP	
16	9100002572	1	HOSE QUICK CONNECTION	[3]
17	9100003010	1	DECALS NILFISK SC401 KIT	
17	9100003011	1	DECALS ADVANCE SC401 KIT	

Part Notes:

- [1] - With Drive
- [2] - Without Drive
- [3] - OPTIONAL



PL RECOVERY TANK SYSTEM

SC401 B FULL PKG NIL

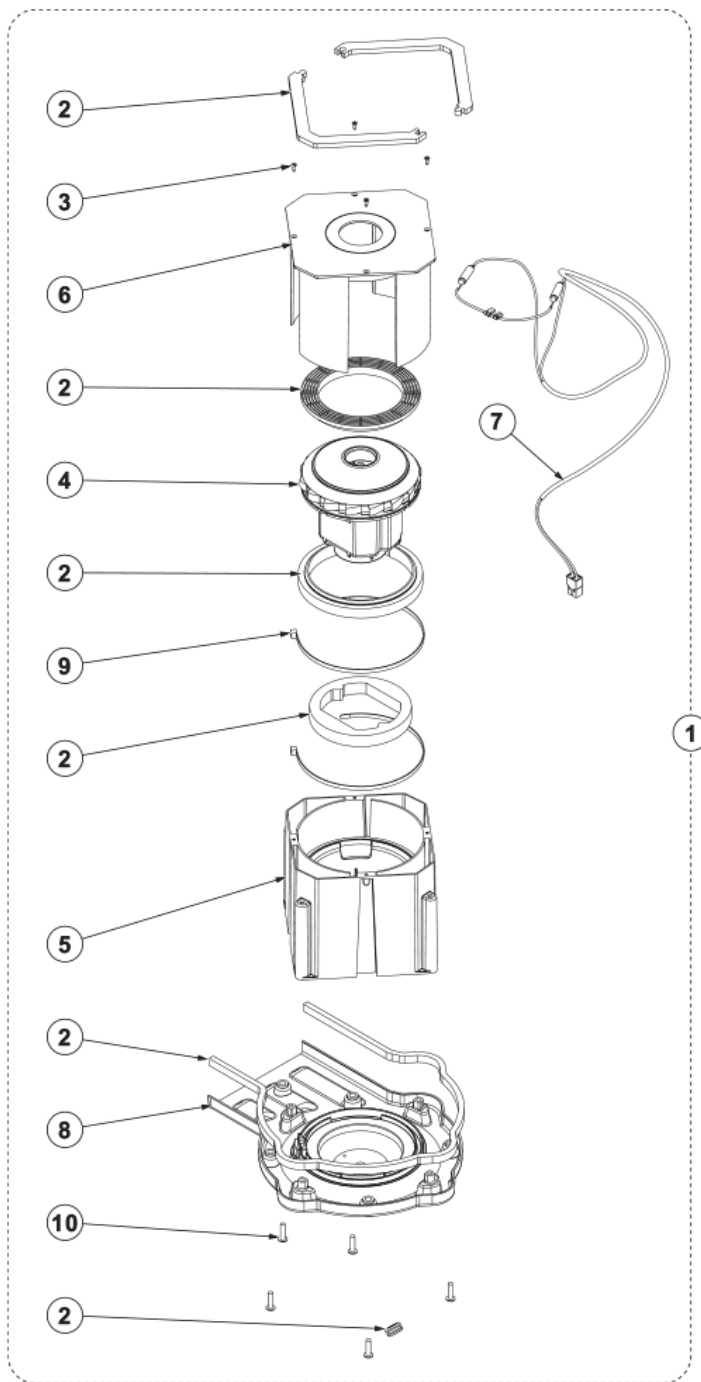
2019.08.12

2020.01.06

No.	Part No.	Qty.	Description	Part Note
1	9100002437	1	SCREW M5X20 TORX ISO7380-2 10 PCS SET	
2	9100001348	1	CLAMP 14/32-52 10 PCS SET	
3	145 8280 000	1	WASHER PLAIN M5X15 SS ISO7093	
4	9100001875	1	SUPPORT FLOAT KIT	
5	9100000818	1	CAGE FLOAT HALF 2 PCS SET	
6	9100000795	1	TRAY DEBRIS KIT	
7	9100002436	1	GASKET BULB RUBBER L.1450MM SIP	
8	9100002438	1	CABLE SAFETY F TANK SIP	
9	9100000928	1	GASKET FLOAT SUPPORT PKD	
10	9100002984	1	TANK RECOVERY 30L PLAST. GREY KIT	
11	9100002441	1	COVER PLAST. GREY F TANK 30L SIP	
12	9100000817	1	BALL FLOATING SIP	
13	9100002443	1	HOSE DRAIN BLACK L.590MM SIP	
14	9100002444	1	HOSE SUCTION SQUEE. 90 BLACK L.970MM SIP	
15	L08193000	2	CLAMP CABLE BLACK	
16	909 5065 000	1	FILTER ANTIFOAMING	[1]
17	9100002985	1	PLATE HINGE LOCATOR KIT	

Part Notes:

[1] - OPTIONAL



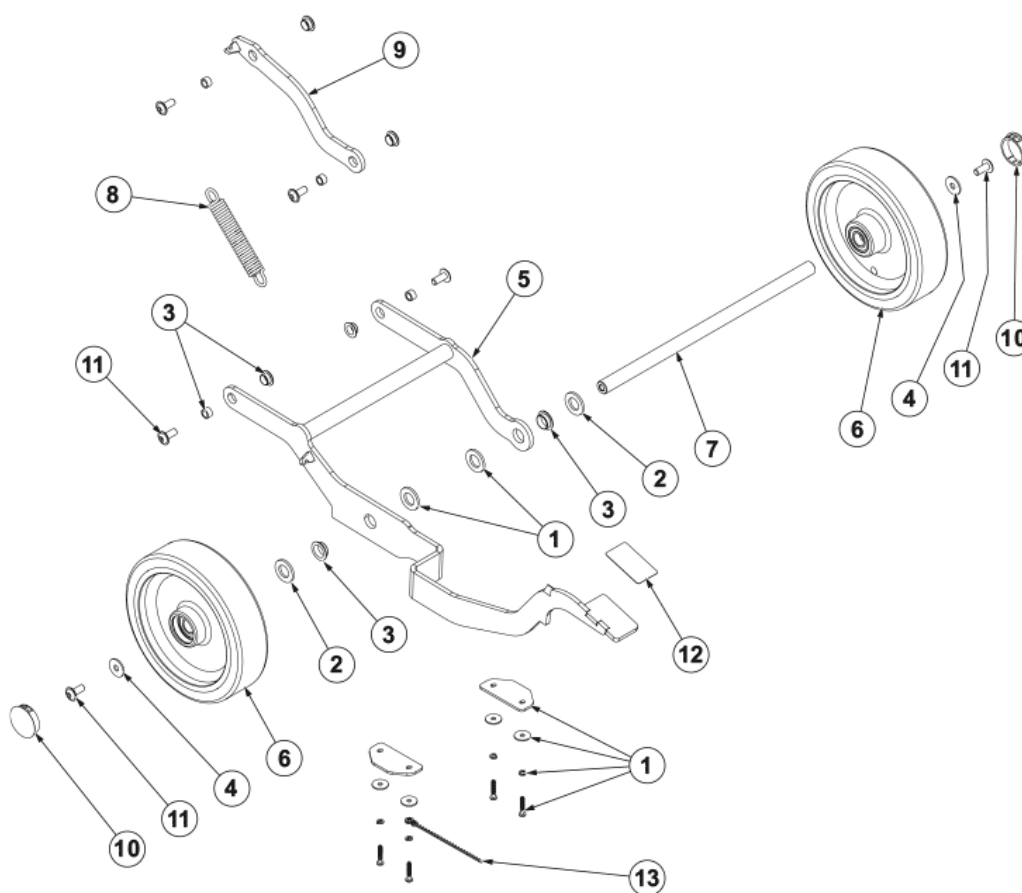
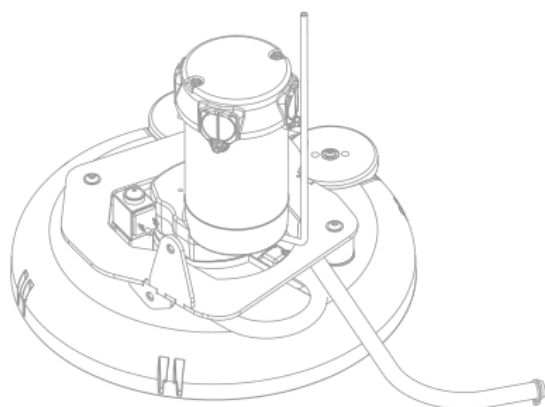
PL VACUUM MOTOR SYSTEM

SC401 B FULL PKG NIL

2017.11.02

2017.12.06

No.	Part No.	Qty.	Description	Part Note
1	9100002533	1	MOTOR VACUUM 280W 24V KIT	
2	9100002447	1	GASKETS VAC. MOTOR KIT	
3	145 1756 000	4	screw TSPTC 2 9*9 AUTOF.	
4	9100000823	1	MOTOR VACUUM 24V 280W PKD	
5	9100001983	1	SUPPORT EXT. PLAST. F VAC. MOTOR KIT	
6	9100001989	1	SUPPORT INT. PLAST. F VAC. MOTOR SIP	
7	9100002445	1	HARNESS VACUUM MOTOR 24V SIP	
8	9100002446	1	SUPPORT PLAST. F VACUUM MOTOR SIP	
9	1466337000	1	TIE CABLE 4.8X430 WHITE 2 PCS SET	
10	9100002437	1	SCREW M5X20 TORX ISO7380-2 10 PCS SET	



PL WHEELS SYSTEM (NO DRIVE)

SC401 B FULL PKG NIL

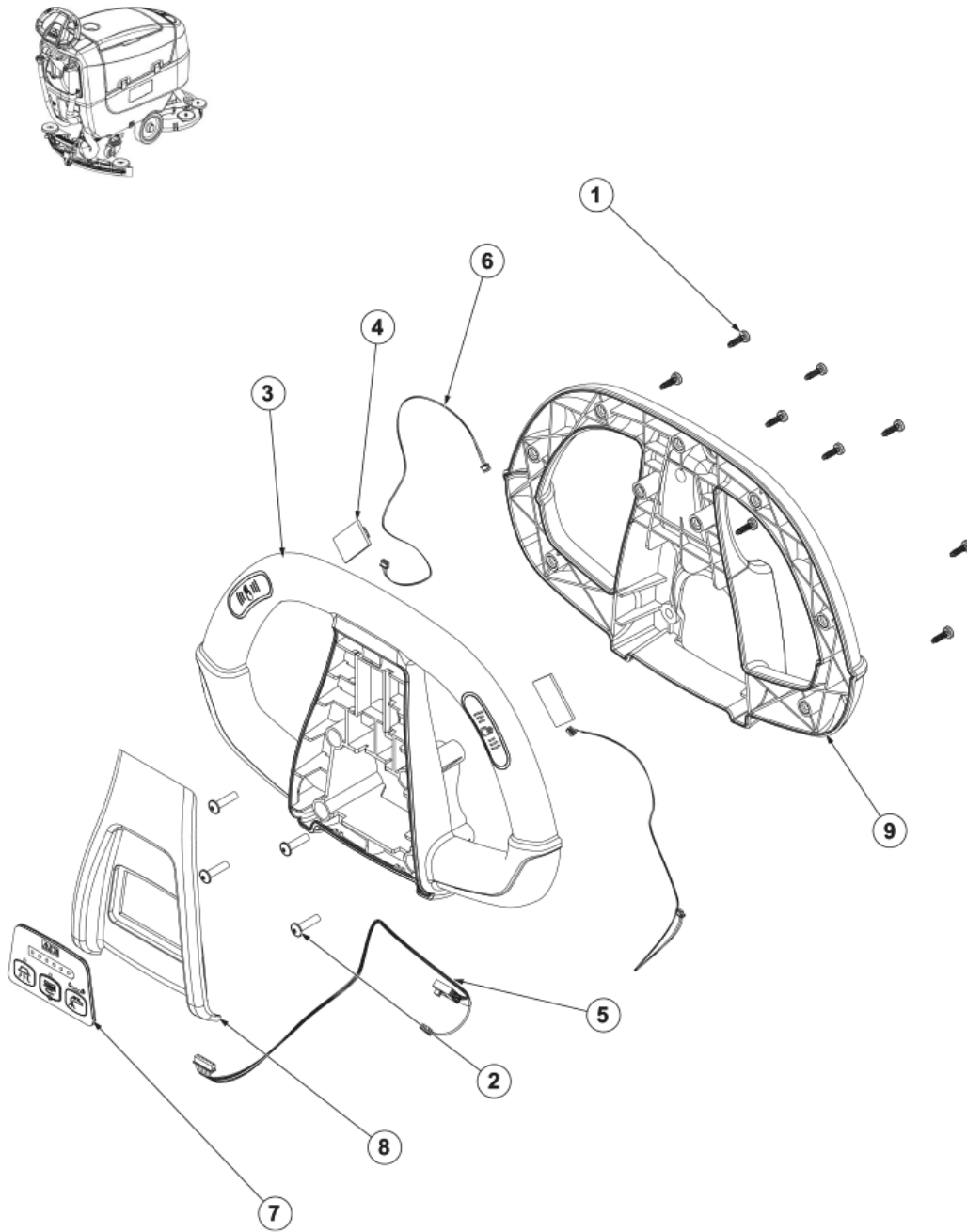
2017.11.02

2017.12.06

No.	Part No.	Qty.	Description	Part Note
1	9100002465	1	HARDWARE FRONT WHEELS SYST.NO DRIVE KIT	
2	33023628	1	WASHER PLAIN M16X30 ISO7089 10PCS.SET	
3	9100002458	1	BUSHINGS AND BEARINGS F PEDAL SYST. KIT	
4	33023660	1	WASHER PLAIN M8X24X2 ISO7093 5 PCS SET	
5	9100002461	1	PEDAL BRUSH LIFTING GALV. SIP	
6	9100002462	2	WHEEL D.200X50 TPE BLACK/GREY SIP	
6	9100002546	1	WHEEL FRONT D.200 PU GREY-BLACK 2PCS SET	[1]
7	9100002463	1	SHAFT WHEELS PHOS. SIP	
8	9100002452	1	SPRING EXTENTION D.E.20.5 WIRE D.3.5 SIP	
9	9100002464	1	LEVER BRUSH DECK GALV. SIP	
10	9100002450	1	PLUG DOME O.D.42.4 PLAST.BLACK 2 PCS SET	
11	9100002456	1	SCREW M8X20 BUTTON ISO7380-2 10 PCS SET	
12	9100002457	1	ANTI-SLIP SURFACING BLACK 35X60MM SIP	
13	9100002459	1	CHAIN W/EYELET GROUND KIT	

Part Notes:

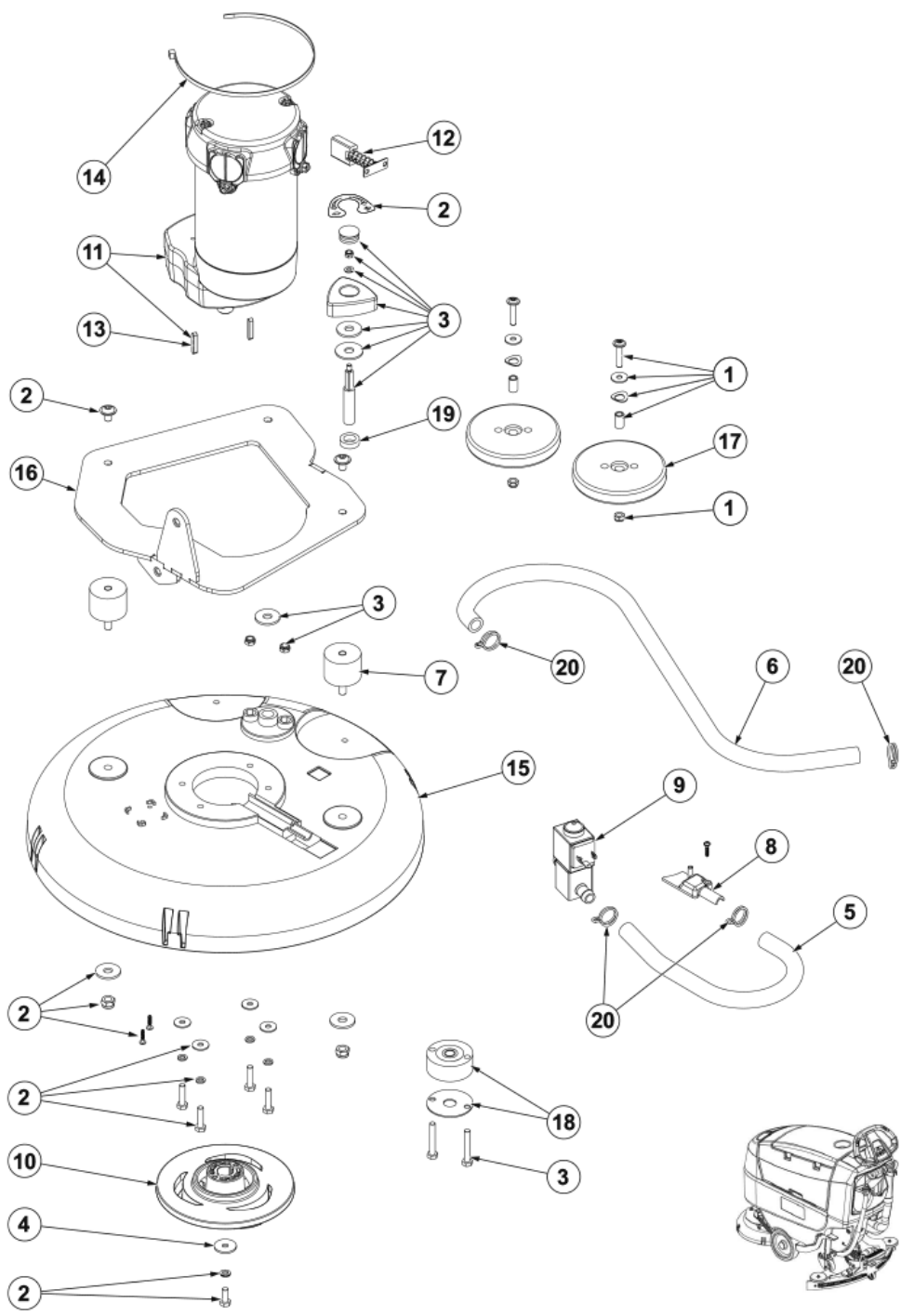
[1] - OPTIONAL



No.	Part No.	Qty.	Description	Part Note
1	140 9214 040	9	SCREW	
2	9100002437	1	SCREW M5X20 TORX ISO7380-2 10 PCS SET	
3	9100002467	1	COVER PLAST. F HANDLE BAR SIP	[1]
4	9100002016	2	SENSOR CAPACITIVE SIP	
5	9100002468	1	HARNESS DASHBOARD SIP	
6	9100002469	2	HARNESS HANDLE BAR SENSORS SIP	
7	9100002472	1	CONTROLLER USER INTERFACE 24V SIP	
8	9100002553	1	COVER CENTRAL PLAST. F HANDLE BAR SIP	
9	9100003037	1	HANDLE BAR KIT	[2]

Part Notes:

- [1] - PLEASE REFER TO TSB-FC-2020-012
 TSB-FC-2020-012 SC401 handelbar
 DE TSB-FC-2020-012 SC401 Bediengriff
- [2] - TSB-FC-2020-012 SC401 handelbar
 DE TSB-FC-2020-012 SC401 Bediengriff



PL BRUSH DECK (NO DRIVE)

SC401 B FULL PKG NIL

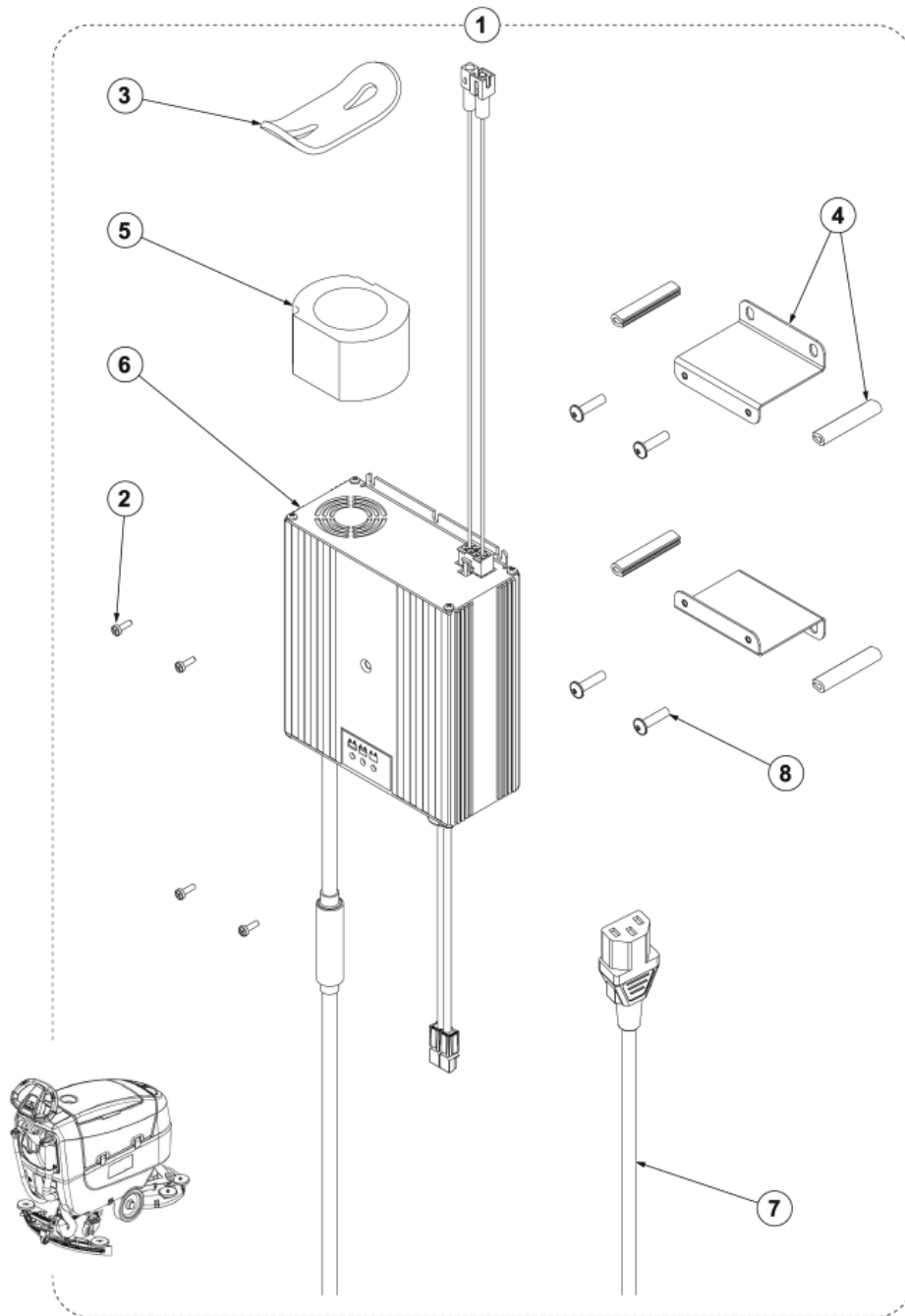
2017.11.02

2020.05.15

No.	Part No.	Qty.	Description	Part Note
1	9100002481	1	HARDWARE BUMPER WHEELS KIT	
2	9100002482	1	HARDWARE BRUSH DECK KIT	
3	9100002483	1	KNOB BRUSH SPEED ADJUSTM. KIT	
4	9100001272	1	WASHER PLAIN M6X24 SS	
5	9100002479	1	HOSE PVC W/SPIRAL D.12X18 L.330MM SIP	
6	9100002480	1	HOSE PVC W/SPIRAL D.12X18 L.800MM SIP	
7	9100000868	1	VIBRATION DAMPING M8	
8	9100000869	1	COVER SOLUTION HOSE	
9	9100000870	1	SOLENOID VALVE 24V PKD	
10	9100000871	1	HUB BRUSH PKD	[1]
K1	9097093000	1	HOLDER POLYGONAL KIT	[1]
11	9100000874	1	REDUCTION GEARMOTOR	
12	9098376000	1	CARBON BRUSHES KIT 4 PCS	
13	9100000875	1	KEY 5X5X30 DIN6885 2	
14	9100002449	1	TIE CABLE 4.8X500 BLACK 2 PCS SET	
15	9100002477	1	DECK BRUSH 430MM/17 PLAST. SIP	
16	9100002478	1	PLATE BRUSH DECK HOLDER GALV. SIP	
17	9100001816	1	WHEEL BUMPER D.100	
18	L08812780	1	FIXING BRUSH PLATE KIT	
19	9100002484	1	SPACER D.12.5X20 H.6 PLAST. SIP	
20	9100001159	1	CLAMP DOUBLE WIRE SPRING D.18 10 PCS SET	

Part Notes:

- [1] - TSB-FC-2019-037 brush hub SC500_SC2000_SC401
DE TSB-FC-2019-037 SC500 SC2000 SC401 Bürstenaufnahme



No.	Part No.	Qty.	Description	Part Note
1	9100002545	1	CHARGER BATT O/B 24V 10A 100-240V EU KIT	[1]
1	9100002751	1	CHARGER BATT O/B 24V 10A 100-240V JP KIT	[2]
2	9100002502	1	SCREW M3X10 PAN HD ISO7045 10 PCS SET	
3	9100000829	1	BAND ELASTIC F	
4	9100002503	1	SUPPORT GALV. F BATTERY CHARG. KIT	
5	9100002504	1	SLEEVE RUBBER BLACK F BATT. CHARGER SIP	
6	9100002505	1	CHARGER BATT.O/B 24V 10A EU W/SLEEVE KIT	[3]
6	9100002506	1	CHARGER BATT.O/B 24V 10A US W/SLEEVE KIT	[4]
6	9100003021	1	CHARG. BATT. O/B 24V 10A 100-240V JP SIP	
7	9100000787	1	CABLE EXTENSION EU PLUG	
7	1466318000	1	CABLE EXTENSION UK PLUG	
7	1467891000	1	CABLE EXTENSION SWISS PLUG L.2000MM SIP	
8	9100002437	1	SCREW M5X20 TORX ISO7380-2 10 PCS SET	

Part Notes:

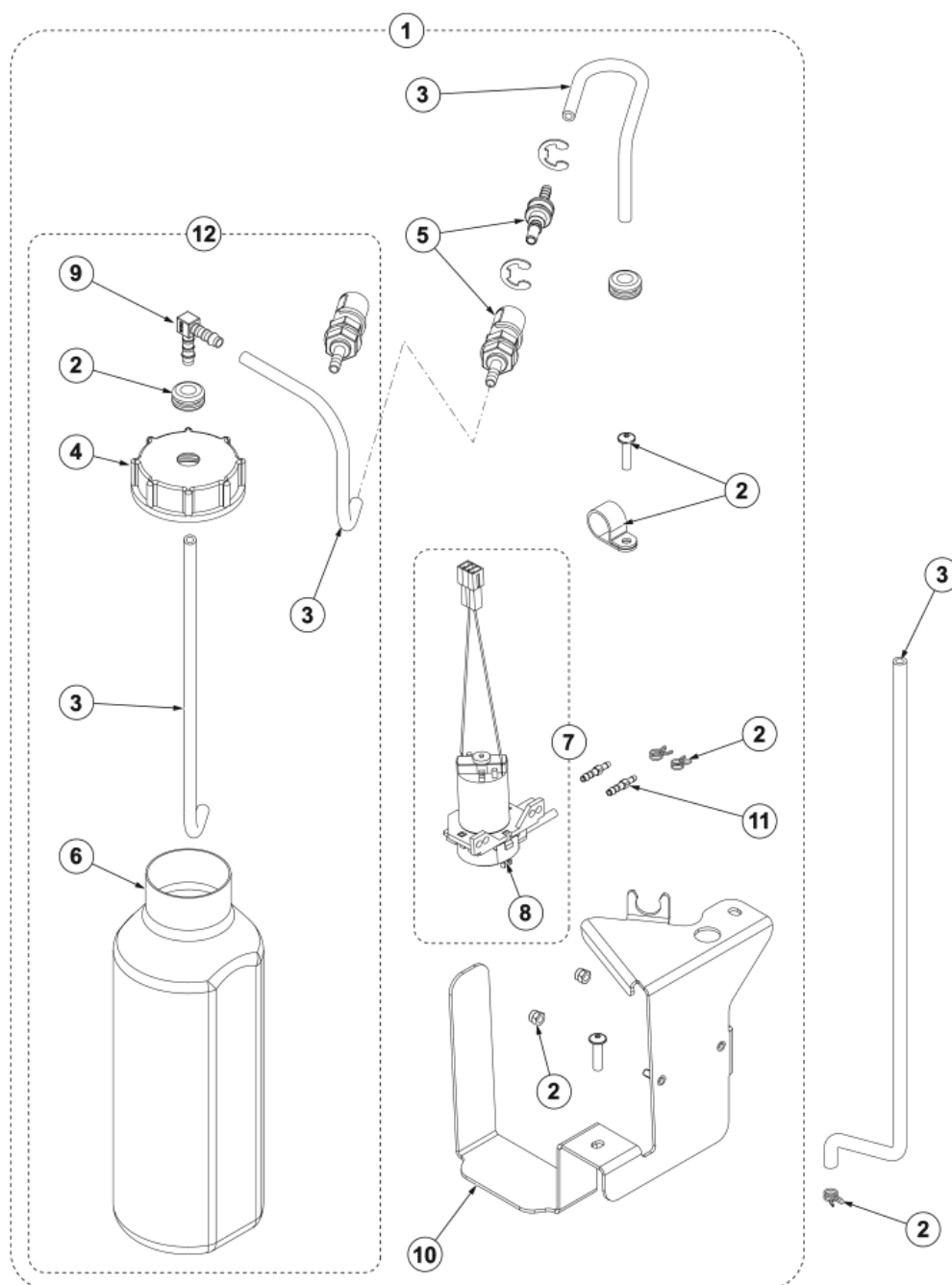
- [1] - OPTIONAL - SEE INST. INSTR. 9100002551
SEE TSB-FC-2018-009

TSB-FC-2020-008 SC401 OBC
DE TSB-FC-2020-008 SC401 Onboard Ladegerät
- [2] - OPTIONAL - SEE INST. INSTR. 9100002752
NO OTHER PARTS AVAILABLE
SEE TSB-FC-2018-009

TSB-FC-2020-008 SC401 OBC
DE TSB-FC-2020-008 SC401 Onboard Ladegerät
- [3] - Including sleeve 9100002504
SEE TSB-FC-2018-009
DE TSB-FC-2018-009 SC401 onboard Ladegerät

TSB-FC-2020-008 SC401 OBC
DE TSB-FC-2020-008 SC401 Onboard Ladegerät
- [4] - ONLY FOR US VERSION - incl. Sleeve 9100002504
SEE TSB-FC-2018-009
DE TSB-FC-2018-009 SC401 onboard Ladegerät

TSB-FC-2020-008 SC401 OBC
DE TSB-FC-2020-008 SC401 Onboard Ladegerät



PL DETERGENT SYSTEM

SC401 B FULL PKG NIL

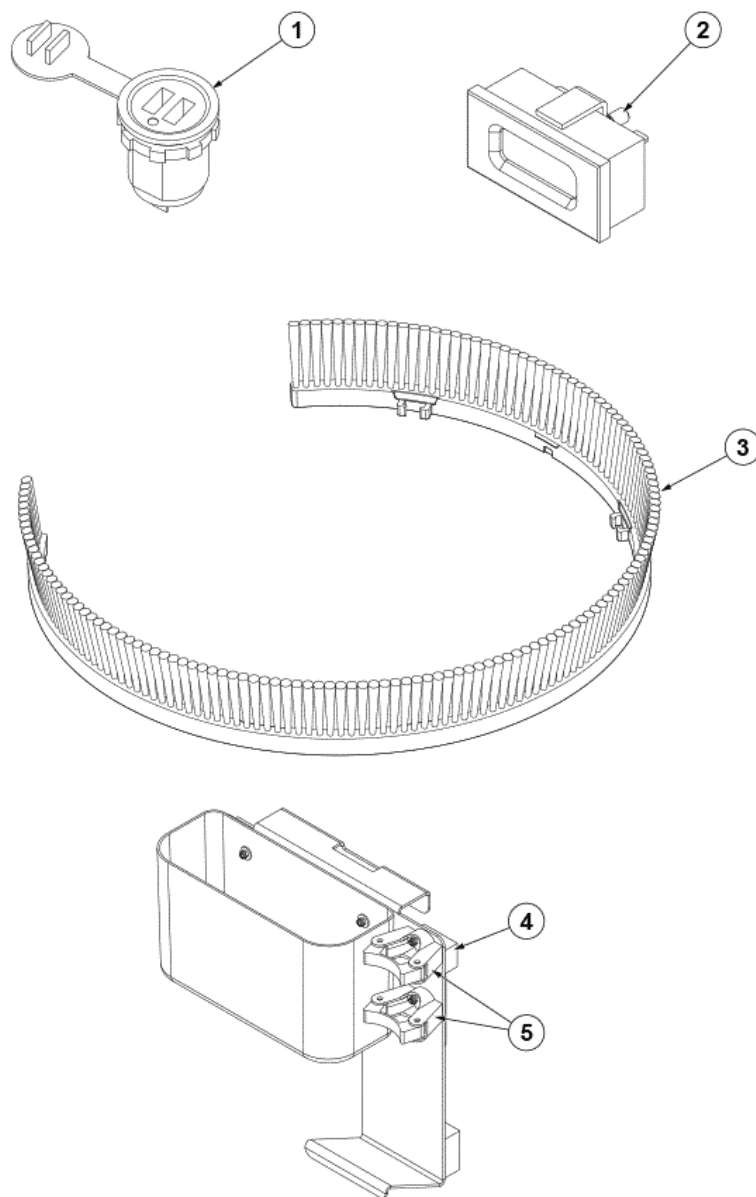
2017.11.02

2017.12.06

No.	Part No.	Qty.	Description	Part Note
1	9100002531	1	DETERGENT SOLUTION SYSTEM KIT	[1]
2	9100002510	1	HARDWARE DETERGENT SYSTEM KIT	
3	9100002534	1	HOSES SILICONE D.4X7 KIT	
4	301001004	1	CLOSING CAP W.HOLE DIA 65	
5	9100002508	1	HOLDERS RUBBER KIT	
6	31000912	1	1L BOTTLE	
7	9100002398	1	PUMP DETERG. MIX PERISTALTIC 24V SIP	
8	9100002388	1	HEAD PERISTALTIC PUMP DETERG. SIP	
9	L08603189	1	L-CONNECTION	
10	9100002509	1	SUPPORT GALV. F PERISTALTIC PUMP SIP	
11	9100002402	1	BARB HOSE STRAIGHT D.5-D.4 2 PCS SET	
12	9100002575	1	KIT BOTTLE	

Part Notes:

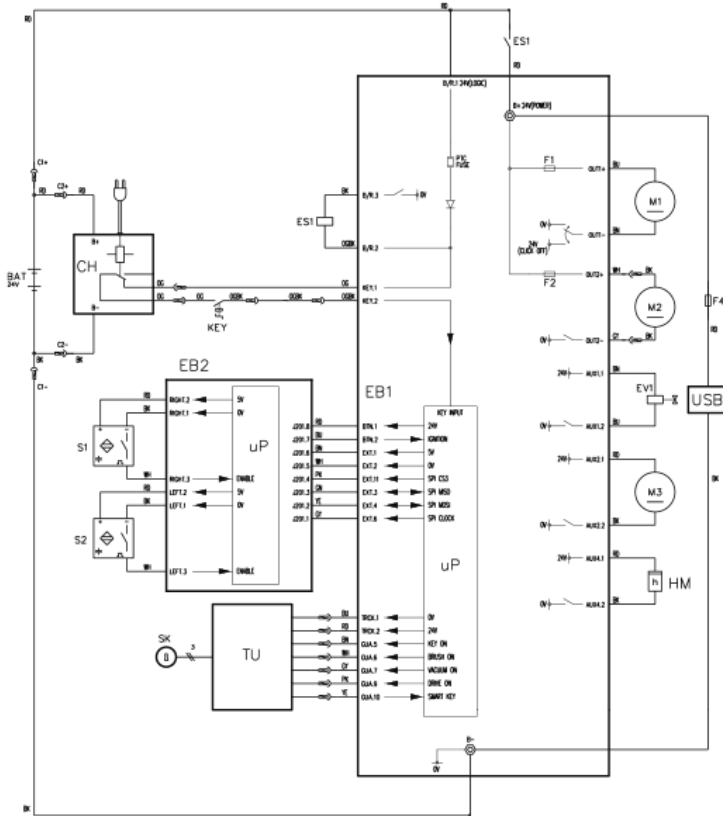
[1] - OPTIONAL - SEE INST. INSTR. 9100002550



No.	Part No.	Qty.	Description	Part Note
1	9100002258	1	USB PORT KIT SC401 BD	[1]
1	9100002607	1	USB PORT WITH KEY SC401/SCRUBTEC 344	[2]
2	9100002257	1	METER HOUR 24V KIT	[3]
3	9100001927	1	SPLASH GUARD W/BRISTLES F DECK 17 432MM	[4]
4	9100002280	1	MOP AND TRASH KIT	[5]
5	9100001369	2	MOP KIT	

Part Notes:

- [1] - OPTIONAL - SEE INST. INSTR. 9100002548
ONLY FOR MACHINE WITH DRIVE
- [2] - OPTIONAL - SEE INST. INSTR. 9100002610
ONLY FOR MACHINE WITH NO DRIVE
- [3] - OPTIONAL - SEE INST. INSTR. 9100002547
- [4] - OPTIONAL
- [5] - OPTIONAL - SEE INST. INSTR. 9100002279



No.	Part No.	Qty.	Description	Part Note
BAT			BATTERIES	
C1	9100002248		CONNECTOR 50A RED SIP	
C2			CONNECTOR	
CH	9100002505		CHARGER BATT.O/B 24V 10A EU W/SLEEVE KIT	[1]
EB1	9100003190		CONTROLLER MAIN MACHINE BAT KIT	
EB2	9100002472		CONTROLLER USER INTERFACE 24V SIP	
ES1	145 3712 000		RELAY 24 VOLT	
EV1	9100000870		SOLENOID VALVE 24V PKD	
F1	145 8513 000		FUSE 30 AMP	
F2	145 8513 000		FUSE 30 AMP	
F4			FUSE	
HM	9100002257		METER HOUR 24V KIT	
KEY	9100001354		SWITCH KEY WITH CAP PKD	
M1	9100000874		REDUCTION GEARMOTOR	
M2	9100000823		MOTOR VACUUM 24V 280W PKD	
M3	9100002398		PUMP DETERG. MIX PERISTALTIC 24V SIP	
S1,S2	9100002016		SENSOR CAPACITIVE SIP	
SK			SMART KEY	
TU			TRACK CLEAN	
USB	9100002258		USB PORT KIT SC401 BD	

Part Notes:

- [1] - TSB-FC-2020-008 SC401 OBC
DE TSB-FC-2020-008 SC401 Onboard Ladegerät

PL RECOMMENDED PARTS

SC401 B FULL PKG NIL

2017.11.02

2017.10.26

No.	Part No.	Qty.	Description	Part Note
NW	910000920	1	CARBON BRUSHES W/HOLDER KIT	
NW	9100002541	1	BLADE SQUEEGEE 700MM 28 GUM KIT	
NW	9100002542	1	BLADE SQUEEGEE 700MM 28 PU KIT	
NW	9100002543	1	BLADE SQUEEGEE 700MM 28 RED GUM KIT	
NW	9098376000	1	CARBON BRUSHES KIT 4 PCS	
OM	9100000703	1	HOSE FILLING PKD	
OM	9100002431	1	HOSE FRESH WATER LEV. W/CAP KIT	
OM	9100002443	1	HOSE DRAIN BLACK L.590MM SIP	
OM	9100002444	1	HOSE SUCTION SQUEE. 90 BLACK L.970MM SIP	
OM	9100002447	1	GASKETS VAC. MOTOR KIT	
OM	9100000823	1	MOTOR VACUUM 24V 280W PKD	
OM	9100002462	2	WHEEL D.200X50 TPE BLACK/GREY SIP	
OM	9100002546	1	WHEEL FRONT D.200 PU GREY-BLACK 2PCS SET	
OM	9100000856	1	WHEEL CASTOR D.80 2 PCS	
OM	9100002396	1	SLEEVE RUBBER BLACK F	
OM	9100000861	1	NET WATER FILTER	
OM	9100002570	1	SQUEEGEE 700MM 28 PLAST. KIT	
OM	9100000862	1	KNOB LOBES M8 FEMALE SIP	
OM	9100000747	1	SQUEEGEE 730MM/29	
OM	9100000559	3	WHEEL D.51 GREY PKD	
OM	9100000864	1	STRAP ELASTIC F REAR	
OM	9100000865	1	STRAP FRONT SQUEEGEE	
OM	9100001816	1	WHEEL BUMPER D.100	
OM	9100000870	1	SOLENOID VALVE 24V PKD	
OM	9100000871	1	HUB BRUSH PKD	
OM	9100000874	1	REDUCTION GEARMOTOR	
OM	9100001816	1	WHEEL BUMPER D.100	
OM	9100000870	1	SOLENOID VALVE 24V PKD	
OM	9100000871	1	HUB BRUSH PKD	
OM	9100000874	1	REDUCTION GEARMOTOR	
OM	9100001816	1	WHEEL BUMPER D.100	
OM	145 8513 000	3	FUSE 30 AMP	
OM	9100002534	1	HOSES SILICONE D.4X7 KIT	
OM	9100002388	1	HEAD PERISTALTIC PUMP DETERG. SIP	
EOM	9100002480	1	HOSE PVC W/SPIRAL D.12X18 L.800MM SIP	
EOM	9100002478	1	PLATE BRUSH DECK HOLDER GALV. SIP	
EOM	9100002483	1	KNOB BRUSH SPEED ADJUSTM. KIT	
EOM	9100002479	1	HOSE PVC W/SPIRAL D.12X18 L.330MM SIP	
EOM	9100002480	1	HOSE PVC W/SPIRAL D.12X18 L.800MM SIP	
EOM	9100002477	1	DECK BRUSH 430MM/17 PLAST. SIP	
EOM	9100003190	1	CONTROLLER MAIN MACHINE BAT KIT	
EOM	9100002489	1	HARNESSELECT.COMP.BOX BA DRIVE SIP	
EOM	9100002490	1	HARNESSELECT.BATTERY EU SIP	
EOM	9100002248	2	CONNECTOR 50A RED SIP	
EOM	1467035000	1	HOLDER FUSE THERMOPL.	
EOM	145 3712 000	1	RELAY 24 VOLT	
EOM	9100002496	1	GASKET BULB REINFORCED L.1050MM SIP	
EOM	9100002532	1	KEY OPTION	
EOM	9100001354	1	SWITCH KEY WITH CAP PKD	
EOM	146 2887 000	1	KEY 2 PCS	
EOM	9100002501	1	HARNESSELECT.SWITCH STARTER SIP	
EOM	9100002545	1	CHARGER BATT O/B 24V 10A 100-240V EU KIT	
EOM	9100002504	1	SLEEVE RUBBER BLACK F BATT. CHARGER SIP	
EOM	9100002505	1	CHARGER BATT.O/B 24V 10A EU W/SLEEVE KIT	
EOM	9100000787	1	CABLE EXTENSION EU PLUG	
EOM	1466318000	1	CABLE EXTENSION UK PLUG	
EOM	9100000829	1	BAND ELASTIC F	
EOM	9100002504	1	SLEEVE RUBBER BLACK F BATT. CHARGER SIP	

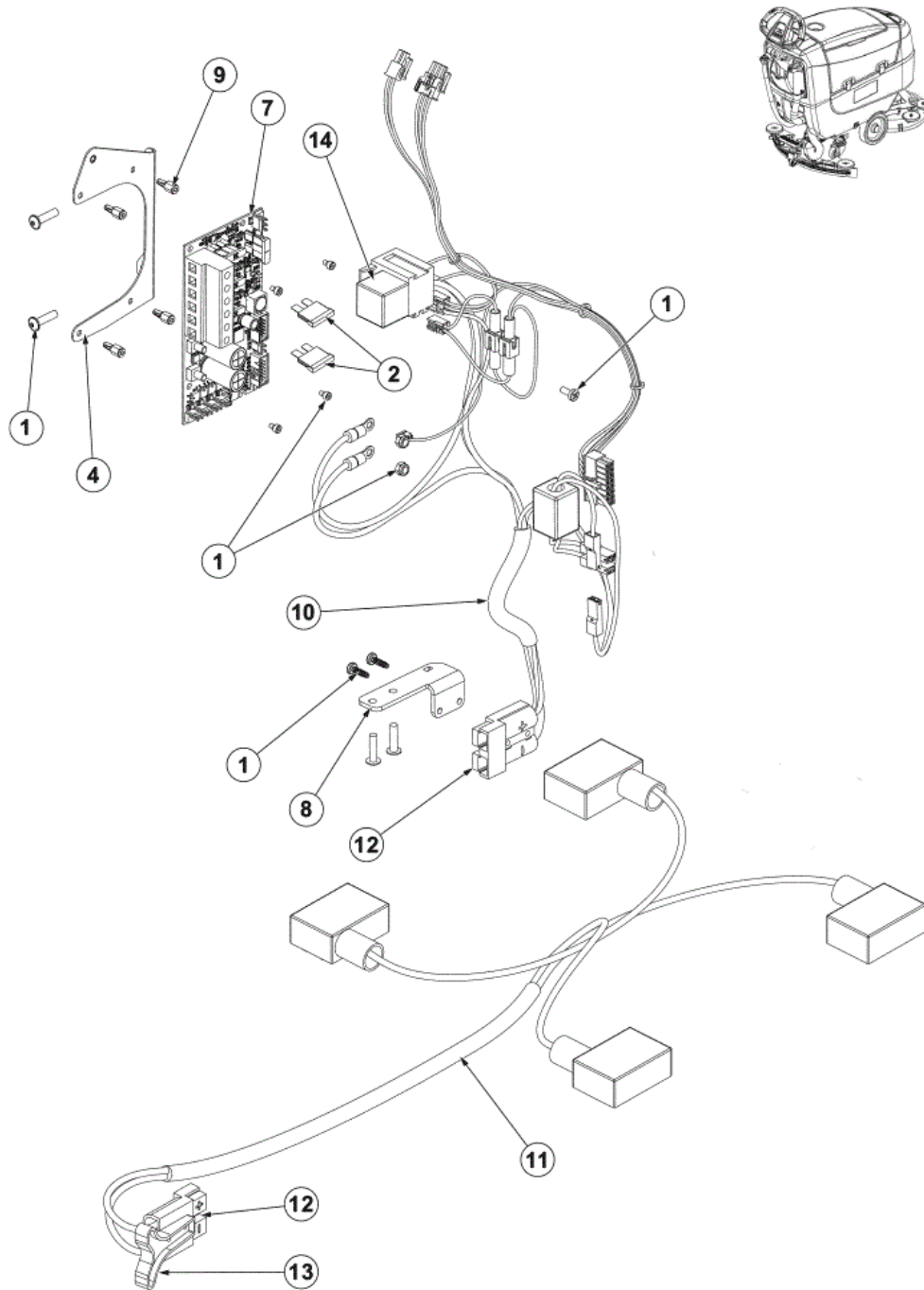
PL RECOMMENDED PARTS

SC401 B FULL PKG NIL

2017.11.02

2017.10.26

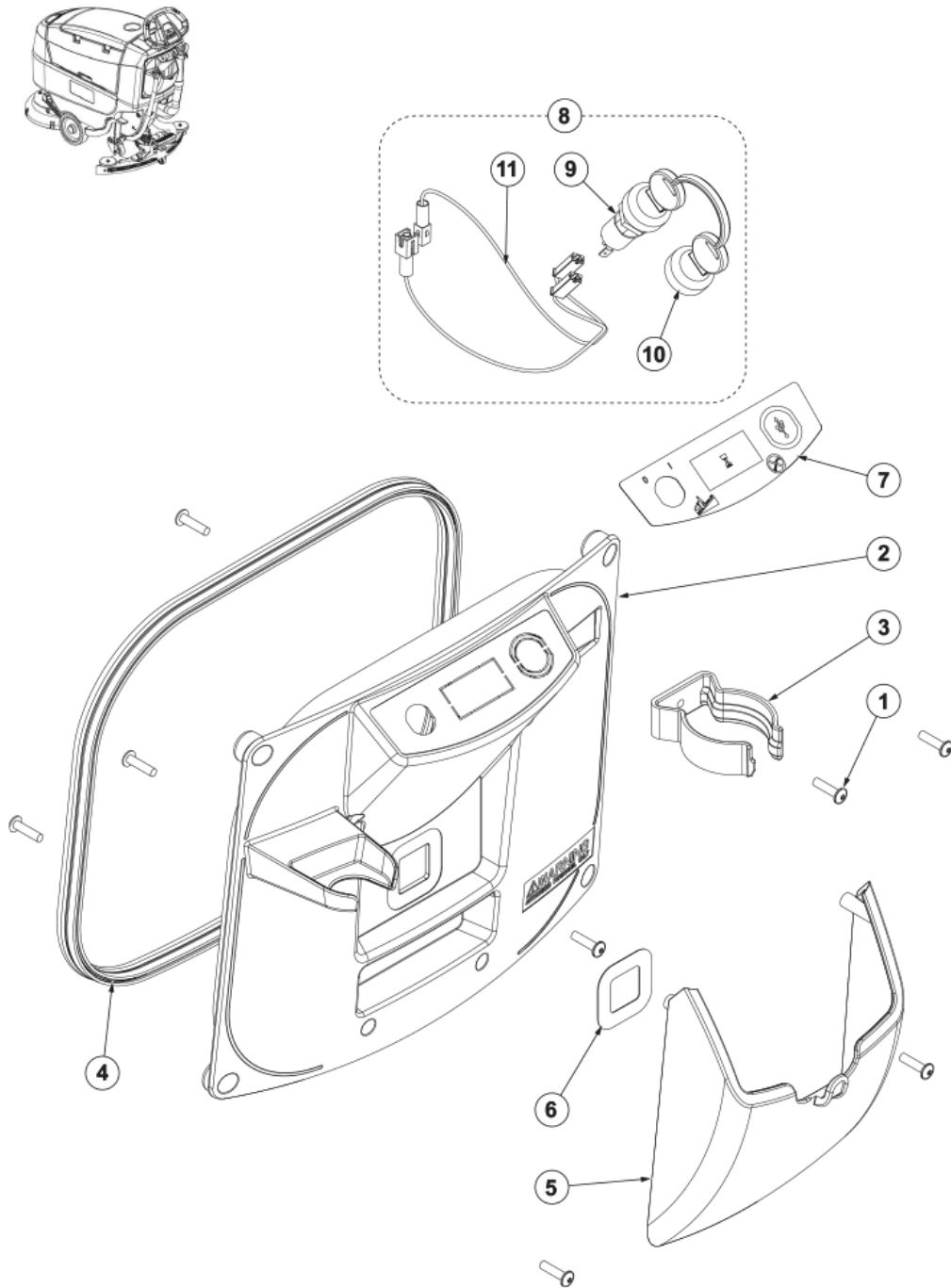
No.	Part No.	Qty.	Description	Part Note
EOM	301001004	1	CLOSING CAP W.HOLE DIA 65	
EOM	9100002508	1	HOLDERS RUBBER KIT	
EOM	31000912	1	1L BOTTLE	
EOM	9100002398	1	PUMP DETERG. MIX PERISTALTIC 24V SIP	



No.	Part No.	Qty.	Description	Part Note
1	9100002492	1	HARDWARE ELECTRICAL SYST. KIT	
2	145 8513 000	3	FUSE 30 AMP	
4	9100002485	1	SUPPORT GALV. F CONTR. MAIN MACH. BA SIP	
7	9100003190	1	CONTROLLER MAIN MACHINE BAT KIT	
8	9100002487	1	SUPPORT GALV. F BATTERY CONNECTOR SIP	
9	9100002488	1	SUPPORT THD PLAST F CONTROLLER 4 PCS SET	
10	9100002489	1	HARNESSELECT.COMP.BOX BA DRIVE SIP	
11	9100002490	1	HARNESSELECT.COMP.BOX BA DRIVE SIP	
12	9100002248	2	CONNECTOR 50A RED SIP	
13	9100000885	1	HANDLE F BATTERY	
14	145 3712 000	1	RELAY 24 VOLT	
	101221030	1	SERVICE TOOL BOX	[1]

Part Notes:

- [1] - SERVICE TOOLS
SM 9100002300 ENsee page 34



PL COVER ELECTRONIC SYSTEM (NO DRIVE)

2017.11.02

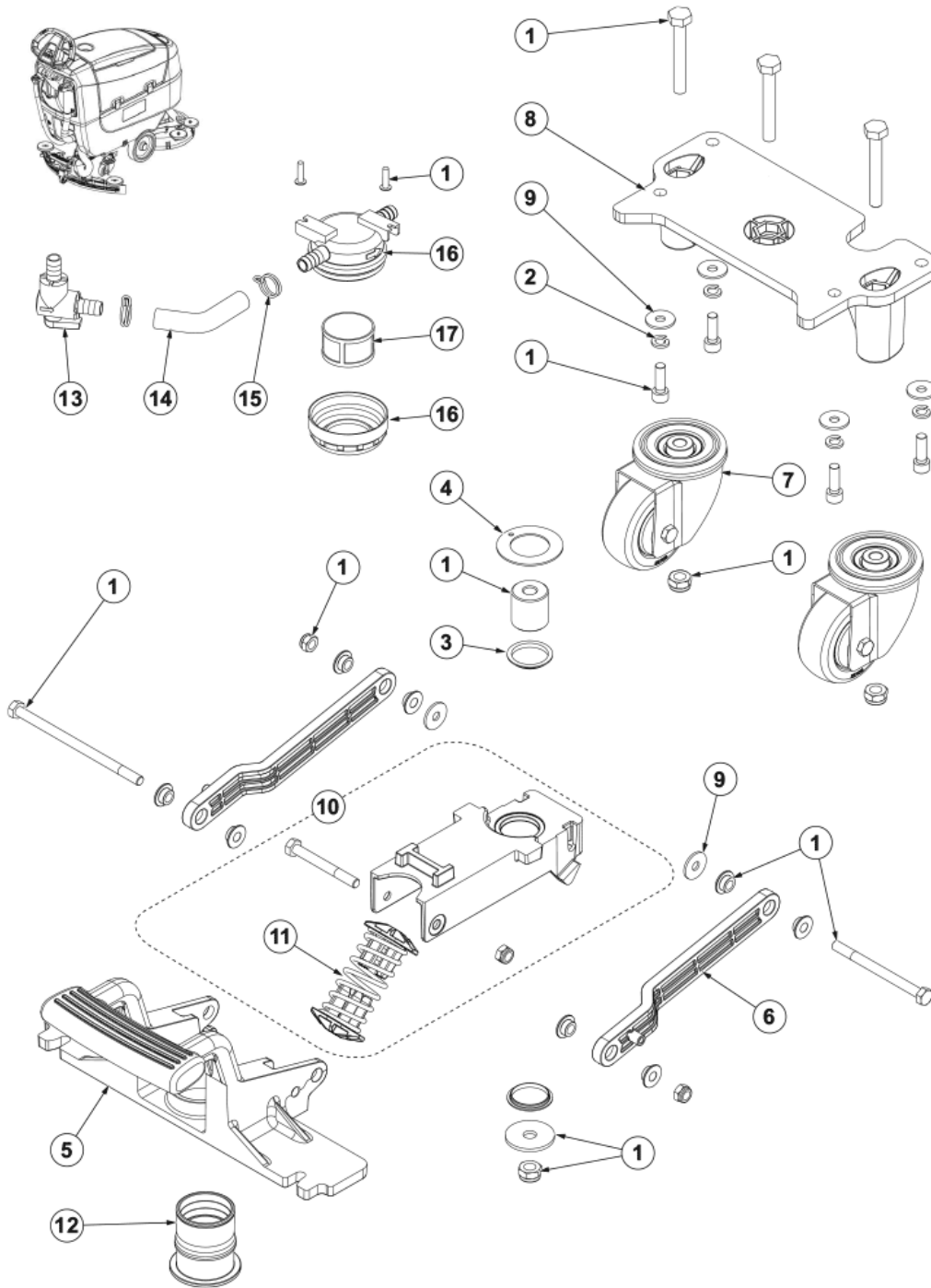
SC401 B FULL PKG NIL

2017.12.06

No.	Part No.	Qty.	Description	Part Note
1	9100002437	1	SCREW M5X20 TORX ISO7380-2 10 PCS SET	
2	9100002495	1	COVER PLAST. ELECT. COMP. BOX DRIVE SIP	
3	909 6380 000	1	CLAMP KIT	
4	9100002496	1	GASKET BULB REINFORCED L.1050MM SIP	
5	9100002497	1	POCKET PLAST. F ELECTR. BOX COVER SIP	
6	9100002498	1	DECAL TRANSP.BOX F EL.COVER INSPECT. SIP	
7	9100002499	1	DECAL ELECTRIC BOX COVER BA SIP	
8	9100002532	1	KEY OPTION	[1]
9	9100001354	1	SWITCH KEY WITH CAP PKD	
10	146 2887 000	1	KEY 2 PCS	
11	9100002501	1	HARNESS SWITCH STARTER SIP	[2]

Part Notes:

- [1] - STANDARD FOR DRIVE
OPTIONALFOR NO DRIVE- SEE INST. INSTR. 9100002549
- [2] - UNTILL S/N



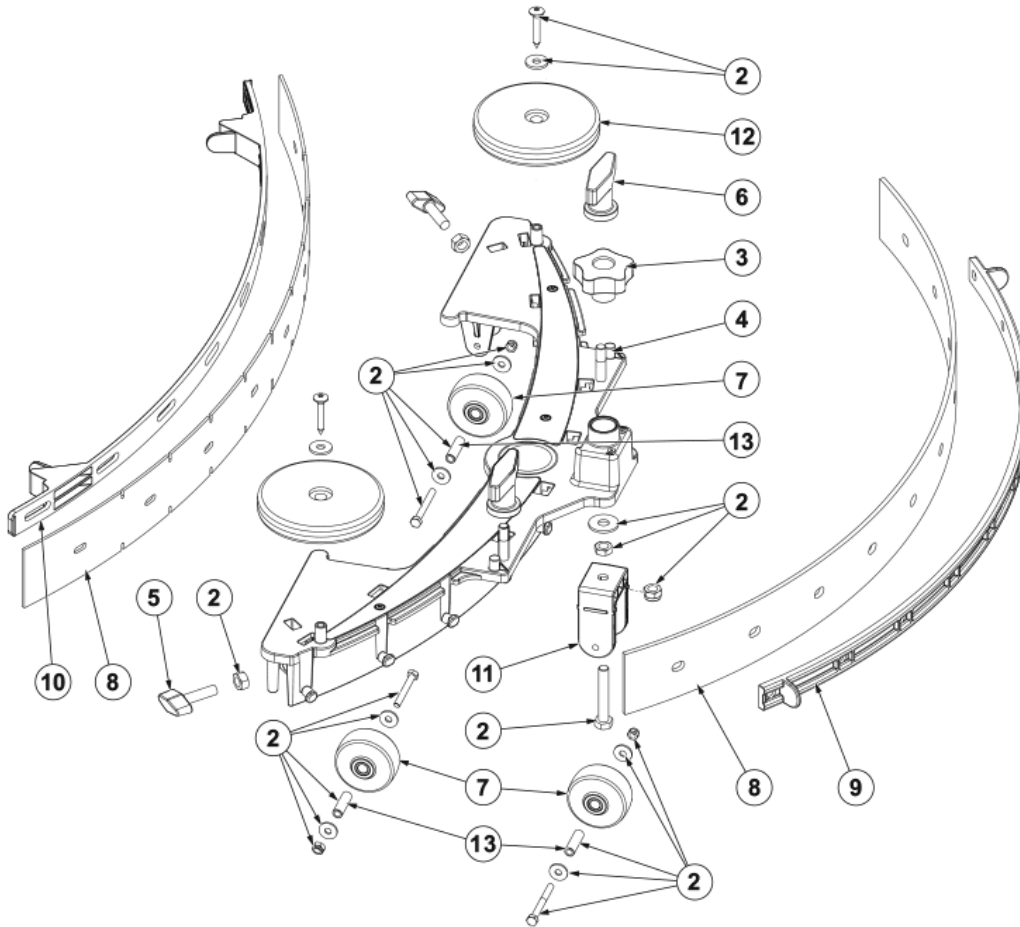
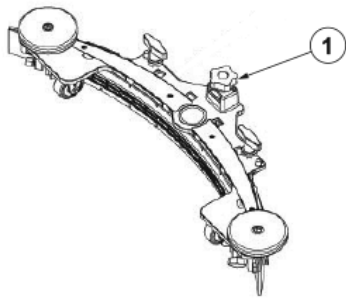
PL REAR WHEELS SYSTEM

SC401 B FULL PKG NIL

2017.11.02

2017.12.06

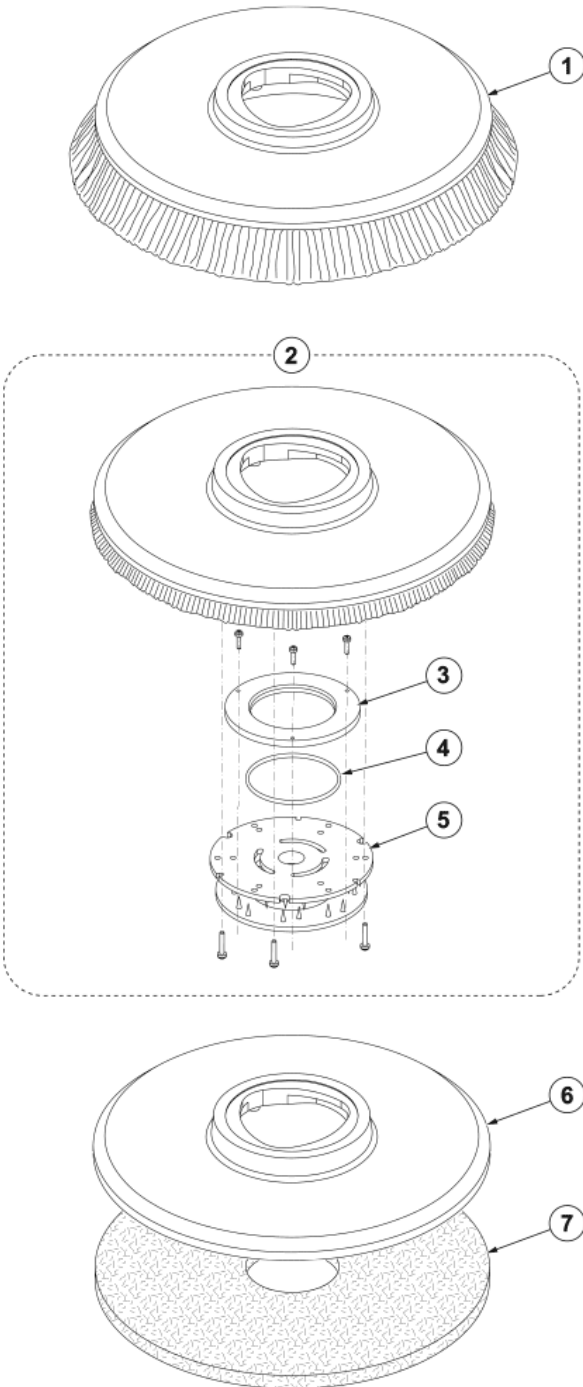
No.	Part No.	Qty.	Description	Part Note
1	9100002475	1	HARDWARE REAR WHEELS SYSTEM KIT	
2	33023223	1	WASHER SPRING LOCK M8	
3	9100000902	1	BEARING FLANGE IGLIDUR	
4	9100000903	1	WASHER THRUST GTM	
5	9100000853	1	SUPPORT LOWER F SQUEEGEE SIP	
6	9100000854	1	LEVER SQUEEGEE LIFT 2	
7	9100000856	1	WHEEL CASTOR D.80 2 PCS	
8	9100002473	1	SUPPORT ALU F REAR WHEELS-SQUEEGEE SIP	
9	33023660	2	WASHER PLAIN M8X24X2 ISO7093 5 PCS SET	
10	9100002400	1	SUPPORT UPPER F	
11	9100002401	1	SPRING COMPRESSION KIT	
12	9100002396	1	SLEEVE RUBBER BLACK F	
13	9100000803	1	VALVE ELBOW PKD	
14	9100002474	1	HOSE PVC W/SPIRAL D.12X18 L.100MM SIP	
15	9100001159	1	CLAMP DOUBLE WIRE SPRING D.18 10 PCS SET	
16	9100000860	1	FILTER WATER PKD	
17	9100000861	1	NET WATER FILTER	



No.	Part No.	Qty.	Description	Part Note
1	9100002570	1	SQUEEGEE 700MM 28 PLAST. KIT	
2	9100000748	1	HARDWARE SQUEEGEE KIT	
3	9100000862	1	KNOB LOBES M8 FEMALE SIP	
4	9100000747	1	SQUEEGEE 730MM/29	
5	9100000791	2	KNOB M8X30 THD STUD SS	
6	9097637000	1	SQUEEGEE FIXING KIT	
7	9100000559	3	WHEEL D.51 GREY PKD	
8	9100002541	1	BLADE SQUEEGEE 700MM 28 GUM KIT	[1]
8	9100002542	1	BLADE SQUEEGEE 700MM 28 PU KIT	[1]
8	9100002543	1	BLADE SQUEEGEE 700MM 28 RED GUM KIT	[1]
9	9100000864	1	STRAP ELASTIC F REAR	
10	9100000865	1	STRAP FRONT SQUEEGEE	
11	9100000866	1	SUPPORT SQUEEGEE WHEEL	
12	9100001816	1	WHEEL BUMPER D.100	
13	9100002408	1	BEARING SLEEVE D.5.1X8 H.28.5 3 PCS SET	

Part Notes:

[1] - OPTIONAL



No.	Part No.	Qty.	Description	Part Note
1	L08812891	1	BRUSH D.430 PROLENE PPL	[1]
1	909 5691 000	1	BRUSH D.430 MIDLITE GRIT	[1]
1	909 5692 000	1	BRUSH D.430 MIDGRIT 240	[1]
1	909 5693 000	1	BRUSH D.430 PROLITE	[1]
1	909 5694 000	1	BRUSH D.430 UNION MIX	[1]
2	9100001897	1	PAD HOLDER BRISTLE 17	[1]
3	L08603966	1	RING NYLON	
4	L08603965	1	O-RING 2.62X82.22	
5	56505195	1	PAD RETAINER	
6	9100002050	1	PAD HOLDER FLAT 17 432MM	[1]
7	10001936	1	PAD 17 432MM ECO WHITE	[1]
7	10001937	1	PAD 17 432MM ECO TAN	[1]
7	10001938	1	PAD 17 432MM ECO BLACK	[1]
7	10001939	1	PAD 17 432MM ECO BLUE	[1]
7	10001940	1	PAD 17 432MM ECO GREEN	[1]
7	10001941	1	PAD 17 432MM ECO RED	[1]
7	10002336	1	PAD 17 430MM ECO	[1]
7	10002337	1	PAD 17 430MM ECO	[1]
7	10002338	1	PAD 17 430MM ECO	[1]
7	10002339	1	PAD 17 430MM ECO	[1]

Part Notes:

[1] - OPTIONAL

