

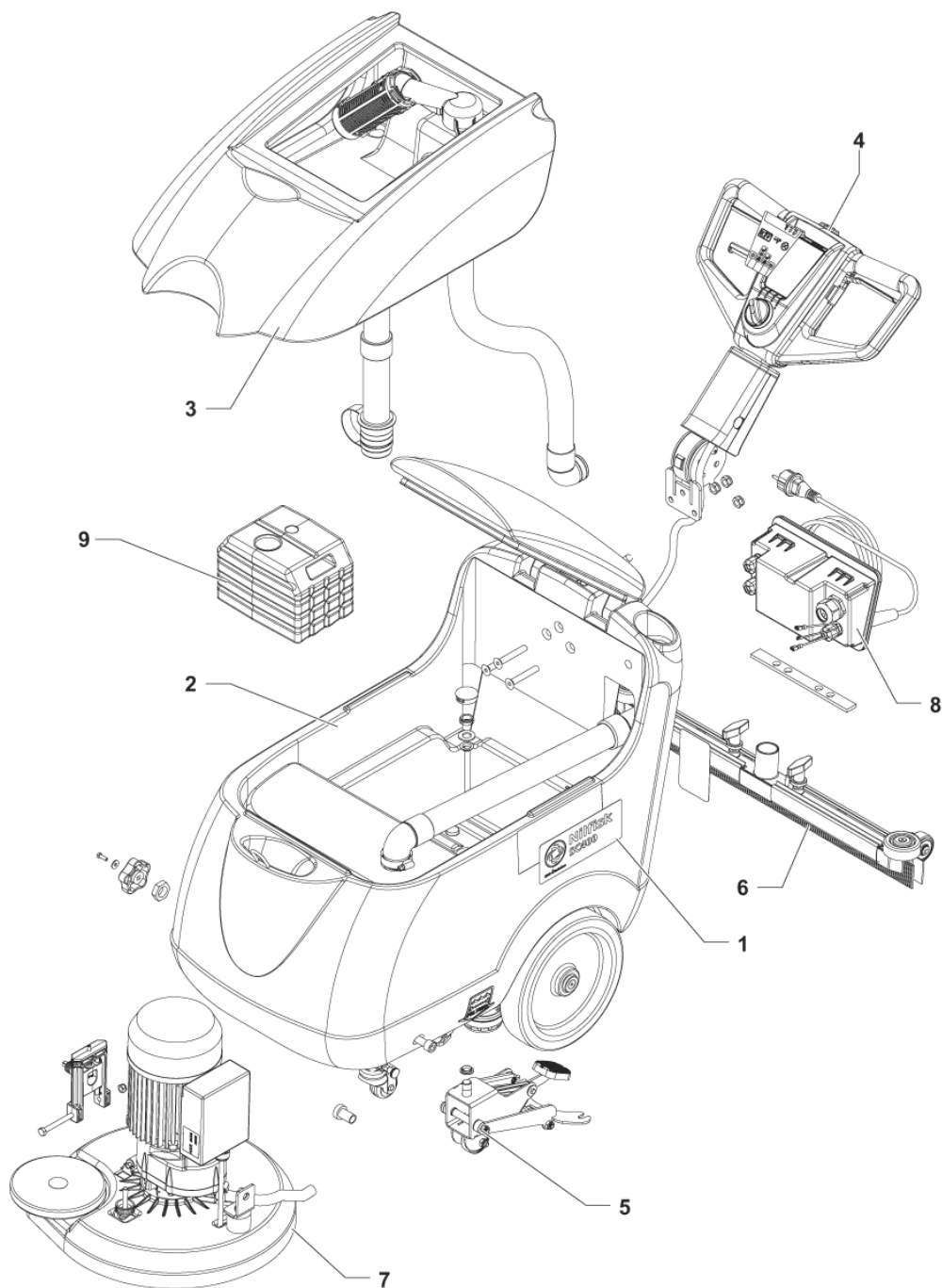
PARTS LIST



2019.08.25

TABLE OF CONTENTS

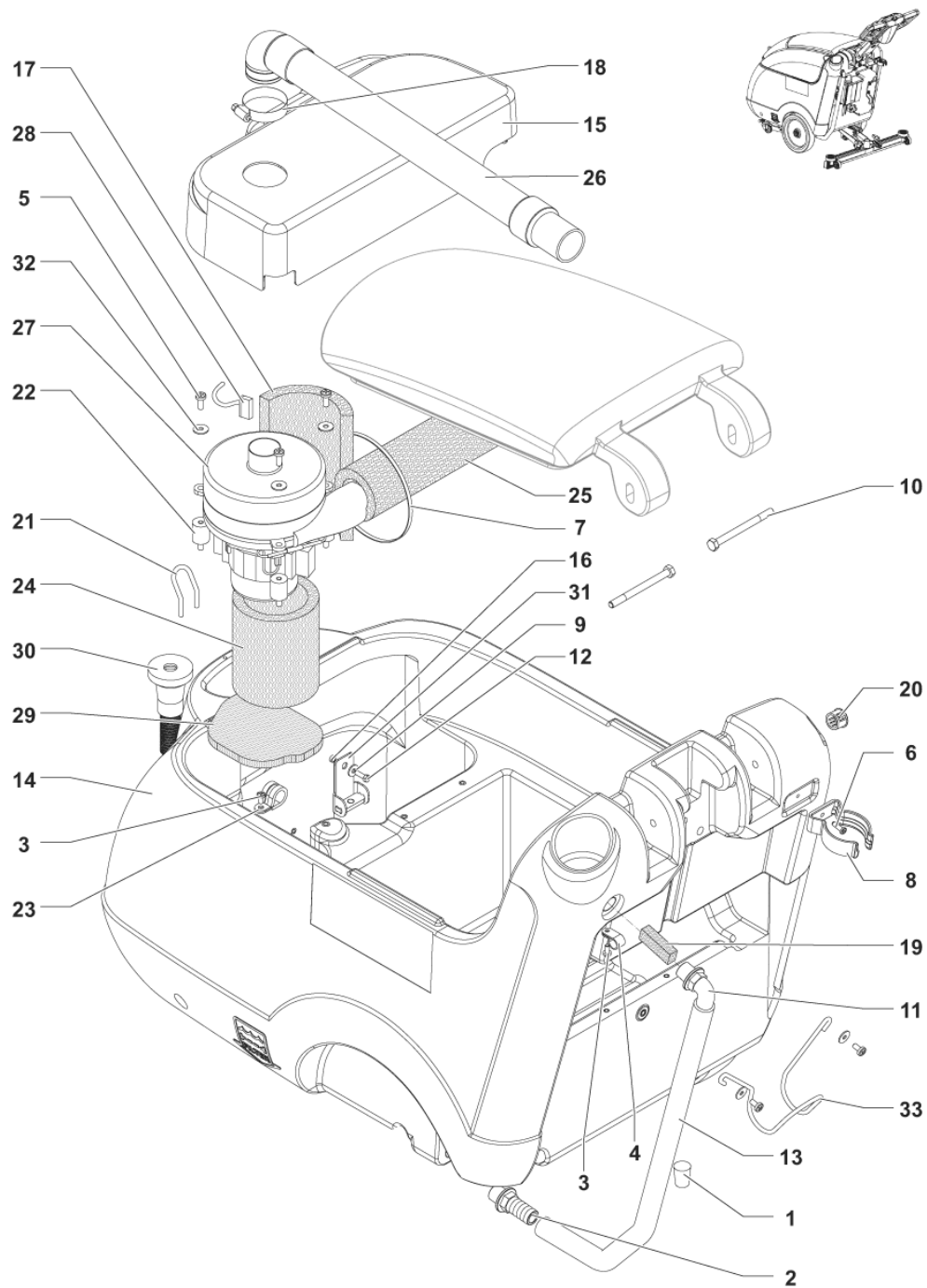
GENERAL SYSTEM	1
SOLUTION SYSTEM	3
FILTER AND WHEELS SYSTEM	5
RECOVERY SYSTEM	7
HANDLE SYSTEM	9
SQUEEGEE AND LIFT SYSTEM	11
BRUSH SYSTEM	13
WIRING SYSTEM	15
ACCESSORIES	17
RECOMMENDED SPARE PARTS	19



No.	Part No.	Qty.	Description	Part Note
1	9099761000	1	DECALS SC400 NIL KIT	
2		1	Solution system	[1]
3		1	Recovery system	[2]
4		1	Handle system	[3]
5		1	Squeegee and lift system	[4]
6		1	Squeegee	[5]
7		1	Brush system	[6]
8		1	Wiring system	[7]
9	9099296000	1	WEIGHT CEMENT	

Part Notes:

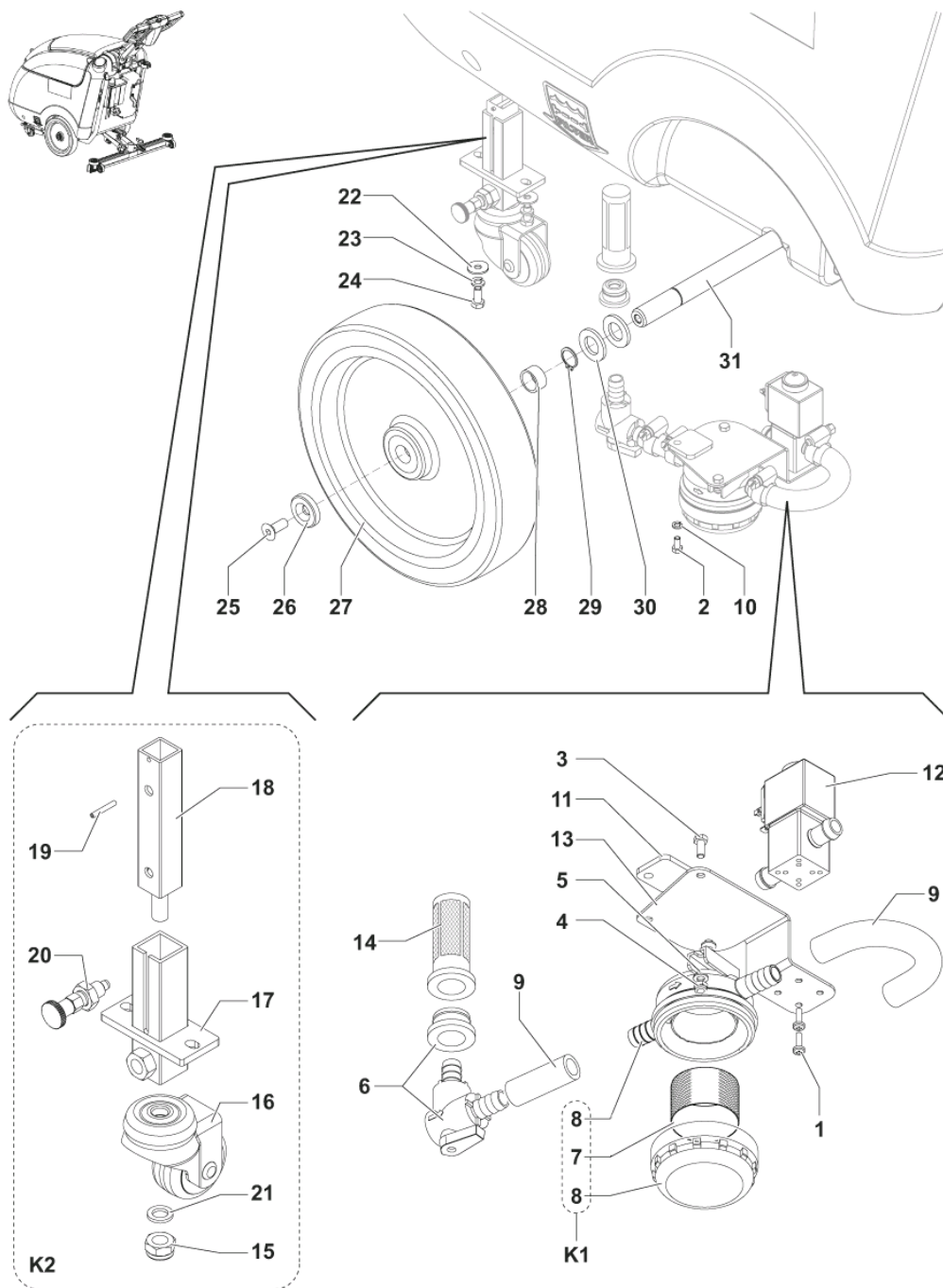
- [1] - SOLUTION SYSTEM
- [2] - RECOVERY SYSTEM
- [3] - HANDLE SYSTEM
- [4] - SQUEEGEE AND LIFT SYSTEM
- [5] - SQUEEGEE
- [6] - BRUSH SYSTEM
- [7] - WIRING SYSTEM



No.	Part No.	Qty.	Description	Part Note
2	9100000574	1	BARB HOSE STRAIGHT	
8	909 6380 000	1	CLAMP KIT	
11	9100001211	1	ELBOW 90 D.20 G1/2 M KIT	
13	9098446000	1	HOSE SOLUTION	
14	9100001944	1	TANK SOLUTION RAL 7016	
15	9098466000	1	COVER MOTOR	
17	9098801000	1	FILTER SOUND ABSORBENT	
18	9100001348	1	CLAMP 14/32-52 10 PCS SET	
19	9098802000	1	FILTER LEVEL WATER HOSE	
21	9099178000	1	SUPPORT BRUSH	
24	909 5564 000	1	PIPE ACOUSTIC INSULATION	
25	909 5565 000	1	PIPE ACOUSTIC INSULATION	
26	909 5579 000	1	HOSE VACUUM MOTOR	
27	9100001895	1	MOTOR VACUUM 550W 230V	
28	909 5719 000	2	BRUSH CARBON	
29	9099184000	1	FILTER FOAM MOTOR	
30	9100001895	1	MOTOR VACUUM 550W 230V	
31	9099195000	1	SUPPORT ADJUSTING FRONT	
33	9098444000	1	SUPPORT CABLE EXTENSION	
K1	9099763000	1	HARDWARE SOLUTION TANK	[1]

Part Notes:

[1] - NOT SHOWN (POS.1-3-4-5-6-7-9-10-12-16-20-22-23-32)



FILTER AND WHEELS SYSTEM

SC400 E NIL

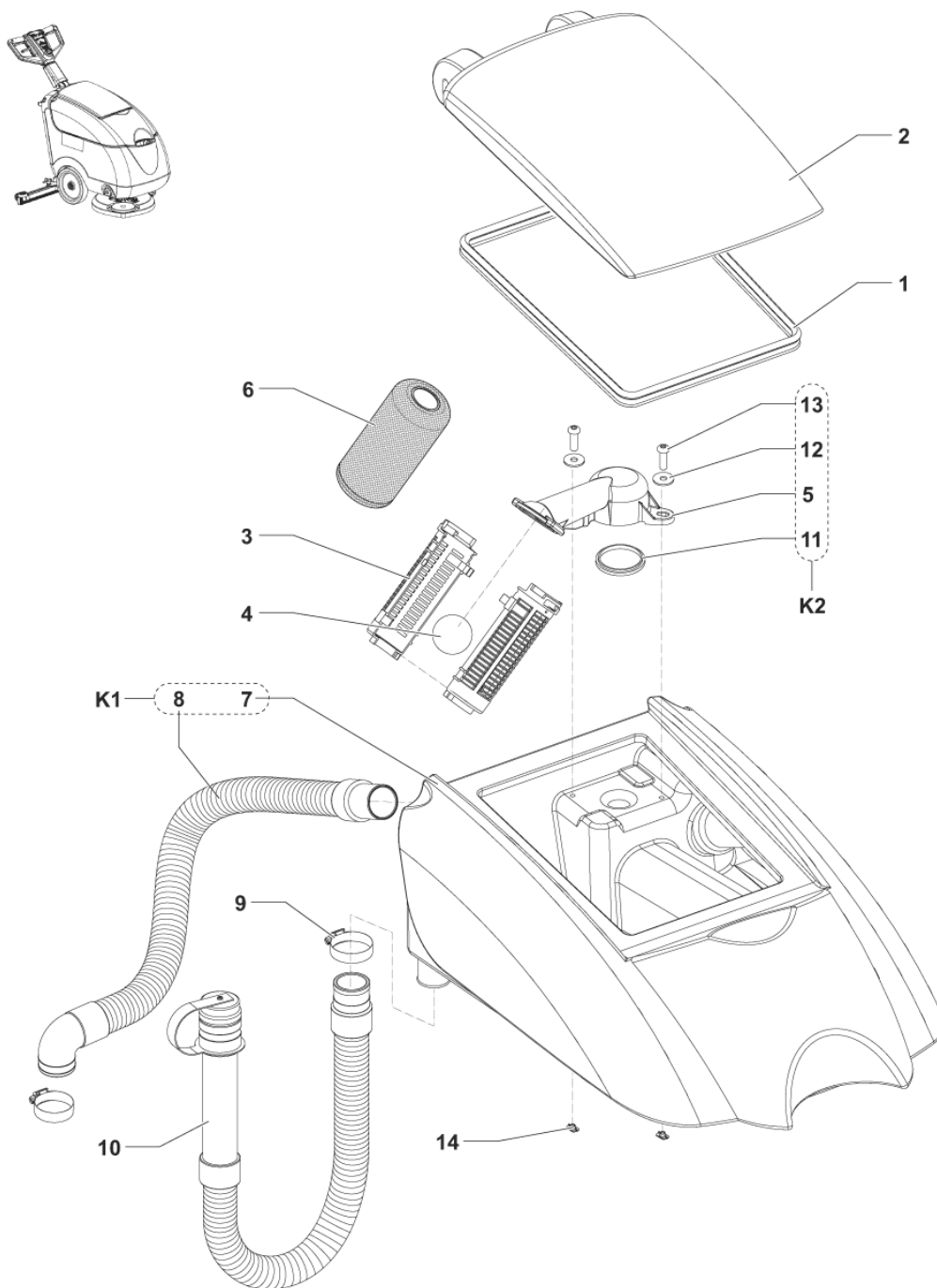
2017.11.02

2017.03.08

No.	Part No.	Qty.	Description	Part Note
6	9097626000	1	VALVE BALL ELBOW D.13 KIT	
7	9100000861	1	NET WATER FILTER	
9	9099778000	1	HOSE SOLUTION FILTER KIT	
11	9099200000	1	SPACER ADHESIVE RUBBER	
12	9099246000	1	SOLENOID VALVE 220-230V	
13	9099179000	1	SUPPORT FILTER AND	
14	9100001353	1	FILTER SOLUTION TANK PKD	[1]
16	9100000961	1	WHEEL CASTOR D.51 SS	
20	909 5641 000	1	JOINT	
27	9099410000	2	WHEEL D.250X50 GREY-BLACK	
K1	9100000860	1	FILTER WATER PKD	[2]
K2	9099705000	1	SUPPORT MACHINE KIT	[3]
K3	9099765000	1	HARDWARE WHEELS SHAFT KIT	[4]
K4	9099766000	1	HARDWARE FILTER AND	[5]

Part Notes:

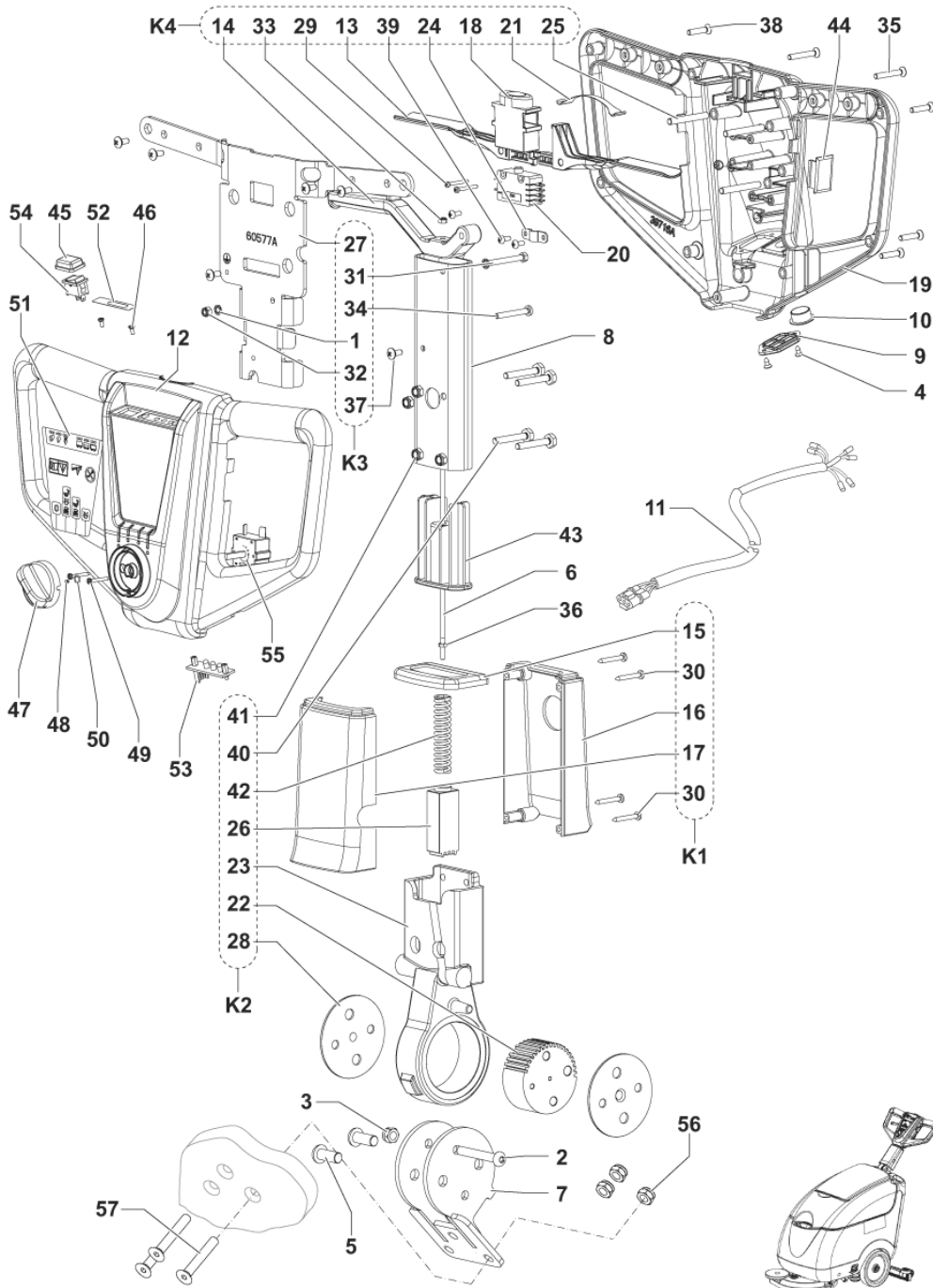
- [1] - OPTION
- [2] - (POS.7-8)
- [3] - (POS.15-16-17-18-19-20-21)
- [4] - NOT SHOWN (POS.25-26-28-29-30-31)
- [5] - NOT SHOWN (POS.1-2-3-4-5-10-22-23-24)



No.	Part No.	Qty.	Description	Part Note
1	909 5716 000	1	GASKET	
2	9100001948	1	COVER PLAST. GREY F TANK 21L SIP	
3	9100000818	1	CAGE FLOAT HALF 2 PCS SET	
4	9100000817	1	BALL FLOATING SIP	
6	909 5065 000	1	FILTER ANTIFOAMING	[1]
8	9100001947	1	HOSE SUCTION	
9	9100001348	1	CLAMP 14/32-52 10 PCS SET	
10	9099692000	1	HOSE DRAIN L.611MM BLACK	
K1	909 6061 000	1	TANK RECOVERY KIT	[2]
K2	9100001875	1	SUPPORT FLOAT KIT	[3]

Part Notes:

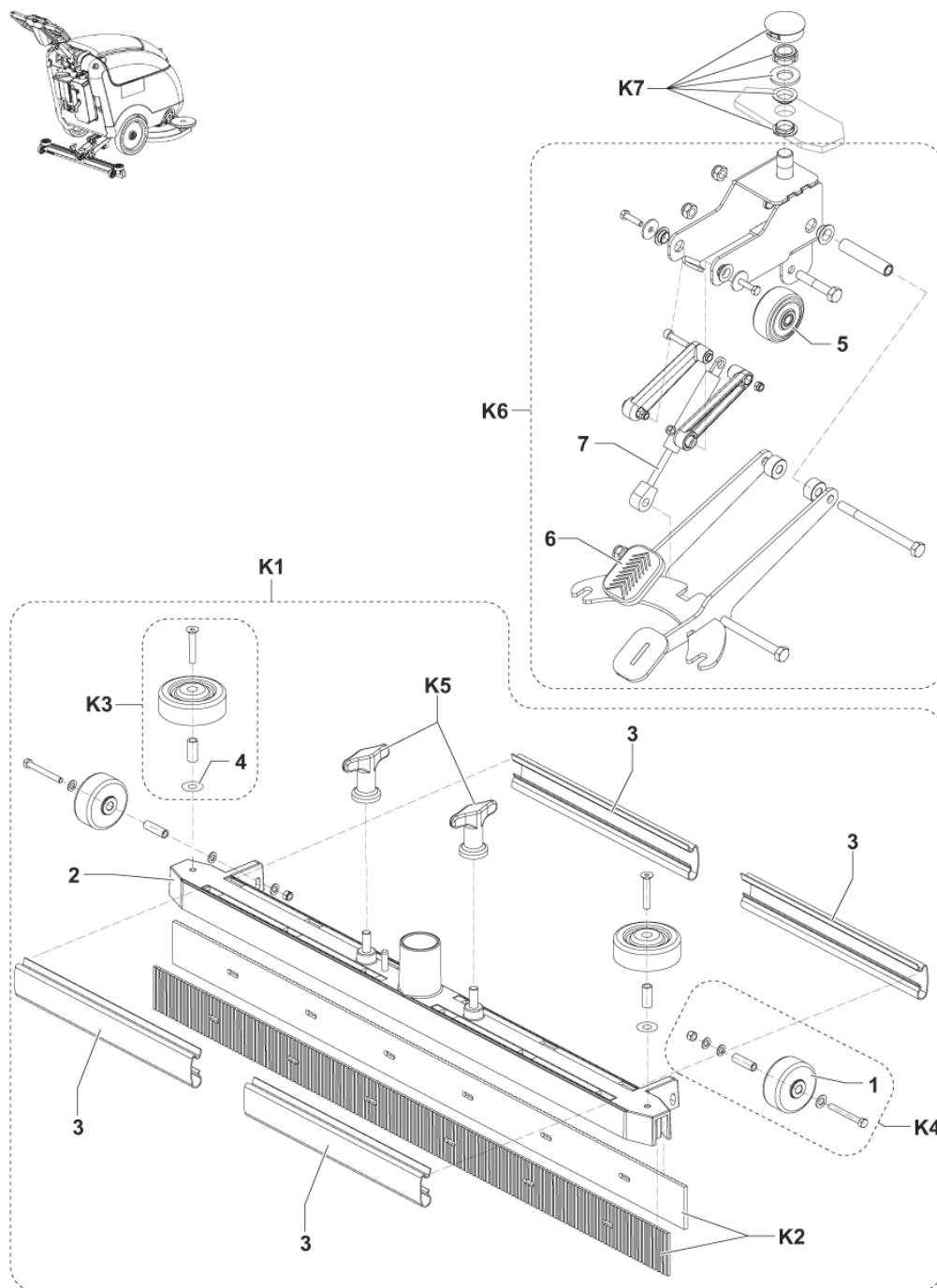
- [1] - OPTION
- [2] - (POS.7-8)
- [3] - (POS.5-11-12-13-14)



No.	Part No.	Qty.	Description	Part Note
6	9098805000	1	ROD HANDLE ADJUSTING	
7	9098806000	1	SUPPORT HANDLE	
8	9098808000	1	TUBE HANDLE	
9	9098812000	1	CAP FOR HANDLE	
10	9098813000	1	CAP D.18.5/D.24MM BLACK	
11	9099054000	2	CABLE HANDLE BAR	
12	9100000101	1	COVERS HANDLE GREY KIT	
19	9100000101	1	COVERS HANDLE GREY KIT	
20	40263A	1	SWITCH DPST	
36	VV13609	1	NUT M4	
43	VF47033	1	RETAINER	
44	VF54041	1	HANDLE PLUG	
45	L08603154	1	PROTECTION CAP	
47	9097283000	1	KNOB CONTROL FUNCTIONS	
51	9098810000	1	DECAL CONTROL PANEL	
52	9098616000	1	DECAL BATTERY LED	[1]
53	9099053000	1	CARD TWO-COLOURED LED	
54	9099107000	1	SWITCH SINGLE-POLE	
55	9099332000	1	SWITCH ROTATIVE 4	
K1	11271A	1	REAR AND FRONT COVER KIT	[2]
K2	11272A	1	LOWER HOUSING KIT	[3]
K3	11273A	1	HANDLE SUPPORT KIT	[4]
K4	11274A	1	HANDLE SWITCH LEVER KIT	[5]
K5	9099768000	1	HARDWARE HANDLE BAR KIT	[6]

Part Notes:

- [1] - STOCK COVERS GUARANTEE
- [2] - (POS.15-16-17-30)
- [3] - (POS.22-23-26-28-40-41-42)
- [4] - (POS.1-27-31-32-34-37)
- [5] - (POS.13-14-18-21-24-25-29-33-39)
- [6] - NOT SHOWN (POS.2-3-4-5-35-38-46-48-49-50-56-57)



SQUEEGEE AND LIFT SYSTEM

SC400 E NIL

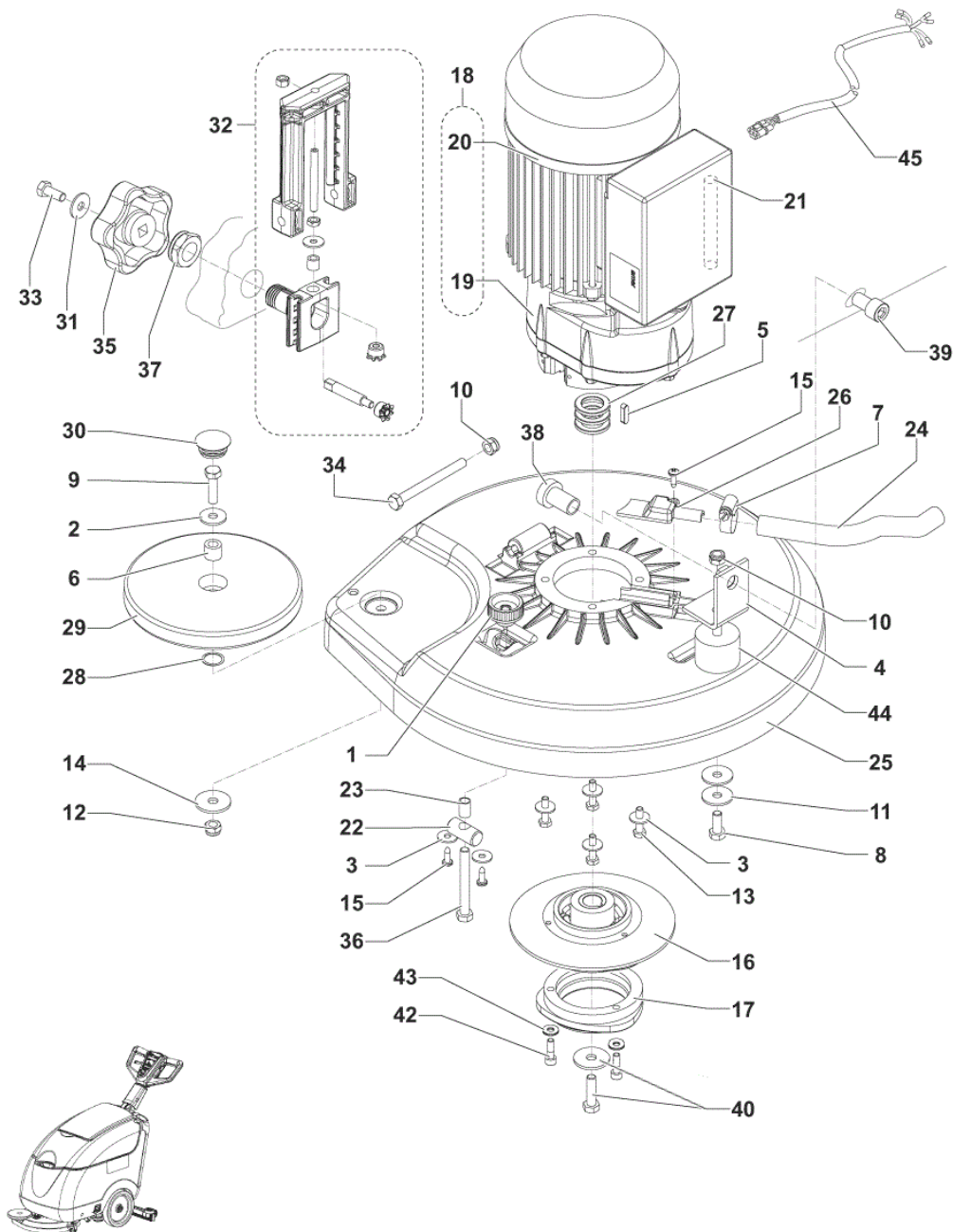
2017.11.02

2017.01.10

No.	Part No.	Qty.	Description	Part Note
1	9100000559	2	WHEEL D.51 GREY PKD	
2	909 5554 000	1	WELDMENT SQUEEGEE TOOL	
3	9100001661	2	PROFILE F SQUEEGEE	
4	L08603689	2	WASHER 6X18X1.5 UNI6593	
5	9100000556	1	WHEEL D.50 PKD	
6	9099106000	1	COVER PEDAL	
7	909 5637 000	1	SPRING GAS	
K1	909 5702 000	1	SQUEEGEE KIT COMPLETE	[1]
K2	9097354000	1	BLADES 720MM/28INCH	
K3	L08603880	1	KIT SQUEEGEE BUMPER ROLLE	[2]
K4	909 5703 000	1	WHEEL SQUEEGEE KIT	[3]
K5	9097637000	1	SQUEEGEE FIXING KIT	
K6	9099769000	1	SUPPORT SQUEEGEE LIFT KIT	[4]
K7	9099770000	1	FIXING SUPPORT SQUEEGEE	

Part Notes:

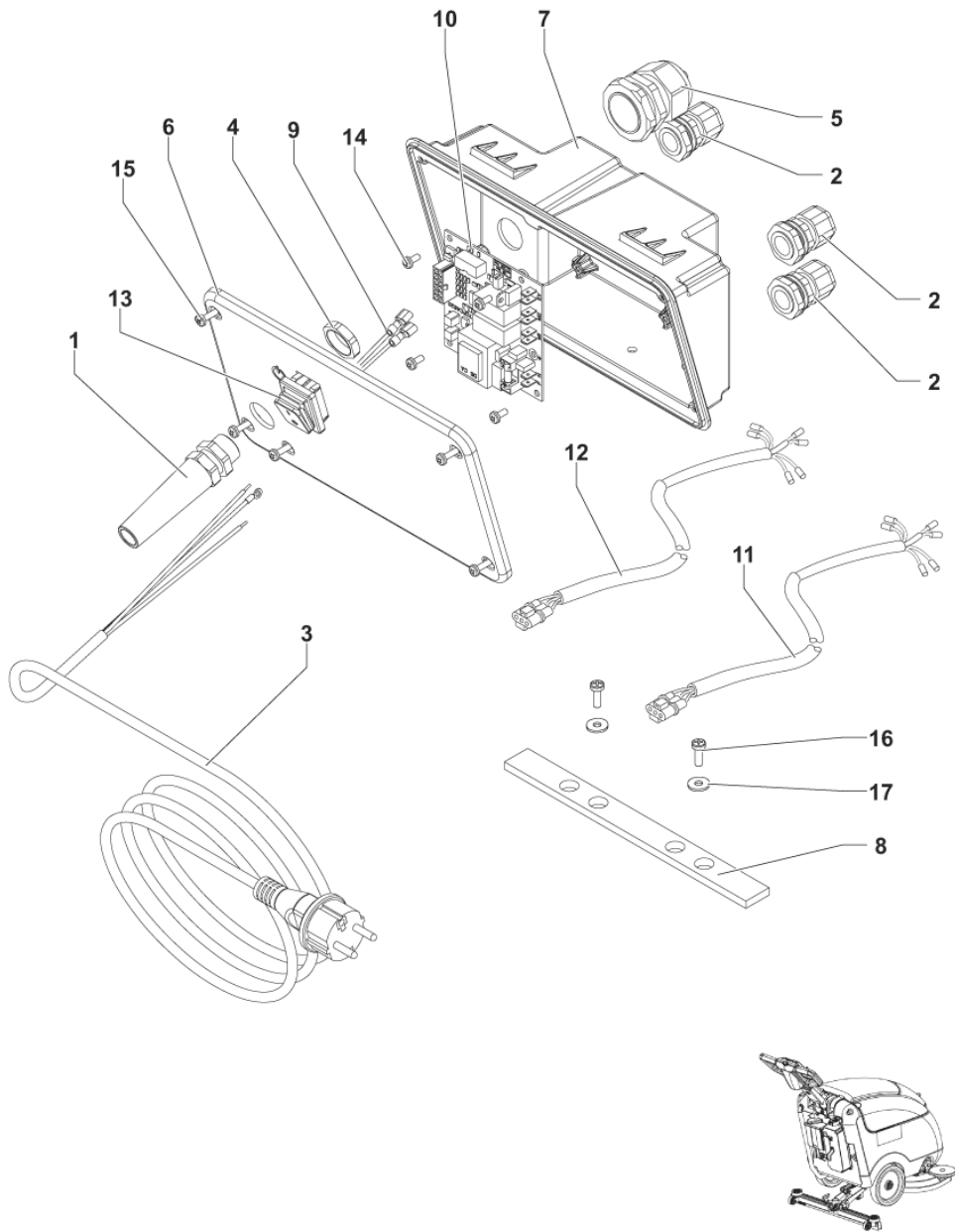
- [1] - (POS.K1-K2-K3-K4-K5-2-3)
- [2] - (POS.4)
- [3] - (POS.1)
- [4] - (POS.5-6-7)



No.	Part No.	Qty.	Description	Part Note
1	909 5964 000	1	KNOB M8	
4	9099356000	1	BRACKET DECK SUPPORT	
5	1466147000	1	KEY 5X5X20 UNI6604A PKD	
16	L08812589	1	POLYGON FLANGE	
17	L08812480	1	BRUSH HUB	
18	9099951000	1	REDUCTION GEARMOTOR	
19	9100001846	1	REDUCTION GEAR PKD	
20	909 5722 000	1	MOTOR ELECTRIC 1100W 230V	
21	909 5931 000	1	CAPACITOR 450V 30UF	[1]
24	9099779000	1	HOSE BRUSH DECK KIT	
25	9099093000	1	DECK BRUSH	
26	9100000869	1	COVER SOLUTION HOSE	
29	L08812204	1	BUMPER ROLLER	
32	9099771000	1	ADJUSTABLE DECK KIT	
40	9100001269	1	HARDWARE HUB BRUSH KIT	
35	9098465000	1	HANDLE LOBE SQUARE HOLE	
44	9100000868	1	VIBRATION DAMPING M8	
45	9099141000	1	CABLE BRUSH MOTOR EU	
K1	9099772000	1	HARDWARE BRUSH SYSTEM KIT	[2]

Part Notes:

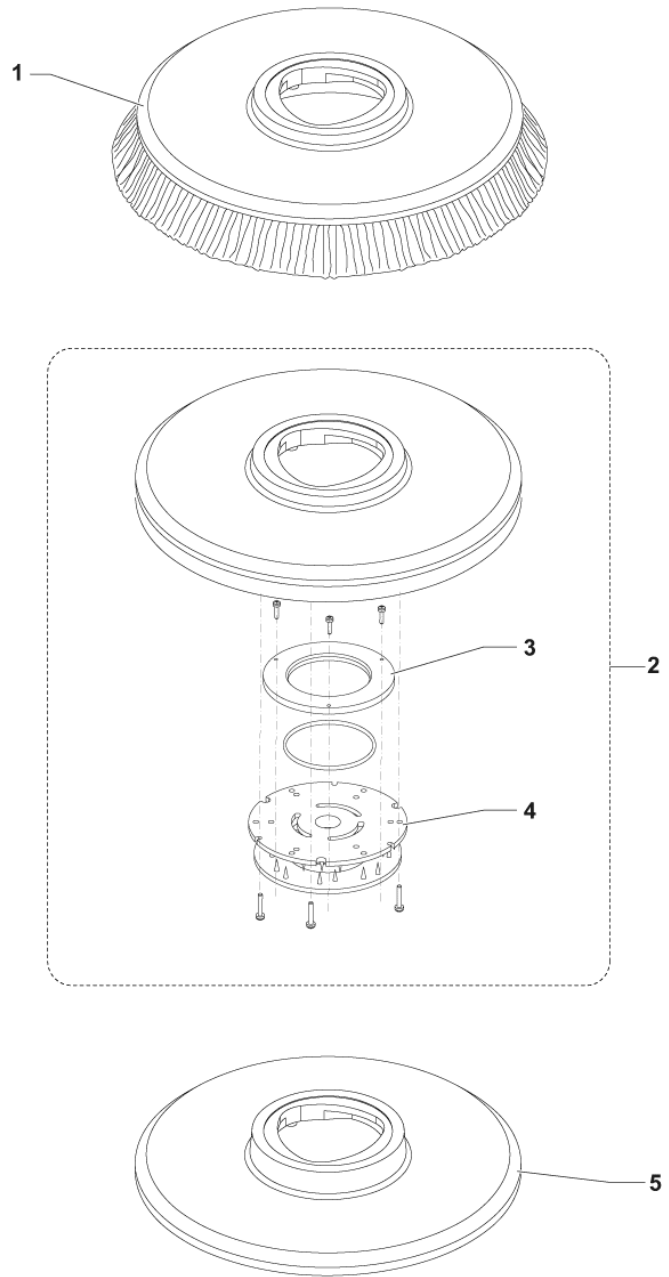
- [1] - RUN CAPACITOR
 [2] - NOT SHOWN (POS.3-6-7-8-9-10-11-12-13-14-15-22-23-27-28-30-31-33-34-36-37-38-39-42-43)



No.	Part No.	Qty.	Description	Part Note
1	909 6656 000	1	CLAMP CABLE M 20X1.5	
2	9100001779	3	GLAND CABLE PLASTIC	
3	909 6229 000	1	CABLE POWER SUPPLY	
4	909 6657 000	1	RING NUT	
5	9098463000	1	CABLE GLAND M32	
8	9099030000	1	SPACER RUBBER ADHESIVE	
9	9099090000	2	WIRE POWER SUPPLIER	
10	9100000185	1	CARD ELECTRONIC	
11	9099142000	1	CABLE VACUUM MOTOR EU	
12	9099143000	1	CABLE SOLENOID VALVE EU	
13	9099357000	1	SWITCH DOUBLE-POLE	
K1	9099774000	1	BOX ELECTRIC COMP. KIT	[1]

Part Notes:

[1] - NOT SHOWN (POS.6-7-14-15-16-17)



ACCESSORIES

SC400 E NIL

2017.11.02

2017.01.10

No.	Part No.	Qty.	Description	Part Note
1	909 5694 000	1	BRUSH D.430 UNION MIX	
1	L08812891	1	BRUSH D.430 PROLENE PPL	
1	909 5692 000	1	BRUSH D.430 MIDGRIT 240	
1	909 5691 000	1	BRUSH D.430 MIDLITE GRIT	
1	909 5693 000	1	BRUSH D.430 PROLITE	
2	9100001897	1	PAD HOLDER BRISTLE 17	[1]
3	L08603966	1	RING NYLON	
4	L08603965	1	O-RING 2.62X82.22	
4	56505195	1	PAD RETAINER	
5	9100002050	1	PAD HOLDER FLAT 17 432MM	[1]
6	10001936	1	PAD 17 432MM ECO WHITE	[2]
6	10002336	1	PAD 17 430MM ECO	[2]
6	10001938	1	PAD 17 432MM ECO BLACK	[2]
6	10001940	1	PAD 17 432MM ECO GREEN	[2]
6	10002338	1	PAD 17 430MM ECO	[2]
6	10001939	1	PAD 17 432MM ECO BLUE	[2]
6	10001937	1	PAD 17 432MM ECO TAN	[2]
6	10001941	1	PAD 17 432MM ECO RED	[2]
6	10002339	1	PAD 17 430MM ECO	[2]
6	10002337	1	PAD 17 430MM ECO	[2]

Part Notes:

- [1] - See TSB-FC-2016-012
- [2] - NOT SHOWN

RECOMMENDED SPARE PARTS

SC400 E NIL

2017.11.02

2017.02.20

No.	Part No.	Qty.	Description	Part Note
00	9100000860	1	FILTER WATER PKD	[1]
00	9100001947	1	HOSE SUCTION	[1]
00	909 5703 000	1	WHEEL SQUEEGEE KIT	[1]
00	9097626000	1	VALVE BALL ELBOW D.13 KIT	[2]
00	9097354000	1	BLADES 720MM/28INCH	[3]
00	9100000868	1	VIBRATION DAMPING M8	[1]
00	9100001661	2	PROFILE F SQUEEGEE	[2]
00	9099106000	1	COVER PEDAL	[1]
00	9098446000	1	HOSE SOLUTION	[2]
00	9099771000	1	ADJUSTABLE DECK KIT	[2]
00	9100000185	1	CARD ELECTRONIC	[2]
00	9099705000	1	SUPPORT MACHINE KIT	[2]
00	9100001895	1	MOTOR VACUUM 550W 230V	[1]
00	L08812891	1	BRUSH D.430 PROLENE PPL	[3]
00	40263A	1	SWITCH DPST	[2]
00	9099951000	1	REDUCTION GEARMOTOR	[2]
00	L08603880	1	KIT SQUEEGEE BUMPER ROLLE	[1]
00	9099332000	1	SWITCH ROTATIVE 4	[2]
00	9099107000	1	SWITCH SINGLE-POLE	[2]
00	9099357000	1	SWITCH DOUBLE-POLE	[2]
00	9100000559	1	WHEEL D.51 GREY PKD	[1]
00	909 6229 000	1	CABLE POWER SUPPLY	[1]
00	909 5637 000	1	SPRING GAS	[2]
00	L08812480	1	BRUSH HUB	[1]
00	909 5931 000	1	CAPACITOR 450V 30UF	[2]
00	909 5554 000	1	WELDMENT SQUEEGEE TOOL	[2]
00	909 6380 000	1	CLAMP KIT	[2]
00	909 5716 000	1	GASKET	[1]
00	909 5719 000	2	BRUSH CARBON	[1]
00	9100001348	2	CLAMP 14/32-52 10 PCS SET	[2]
00	9099246000	1	SOLENOID VALVE 220-230V	[2]

Part Notes:

- [1] - O M
- [2] - E O M
- [3] - N W

