

# PARTS LIST

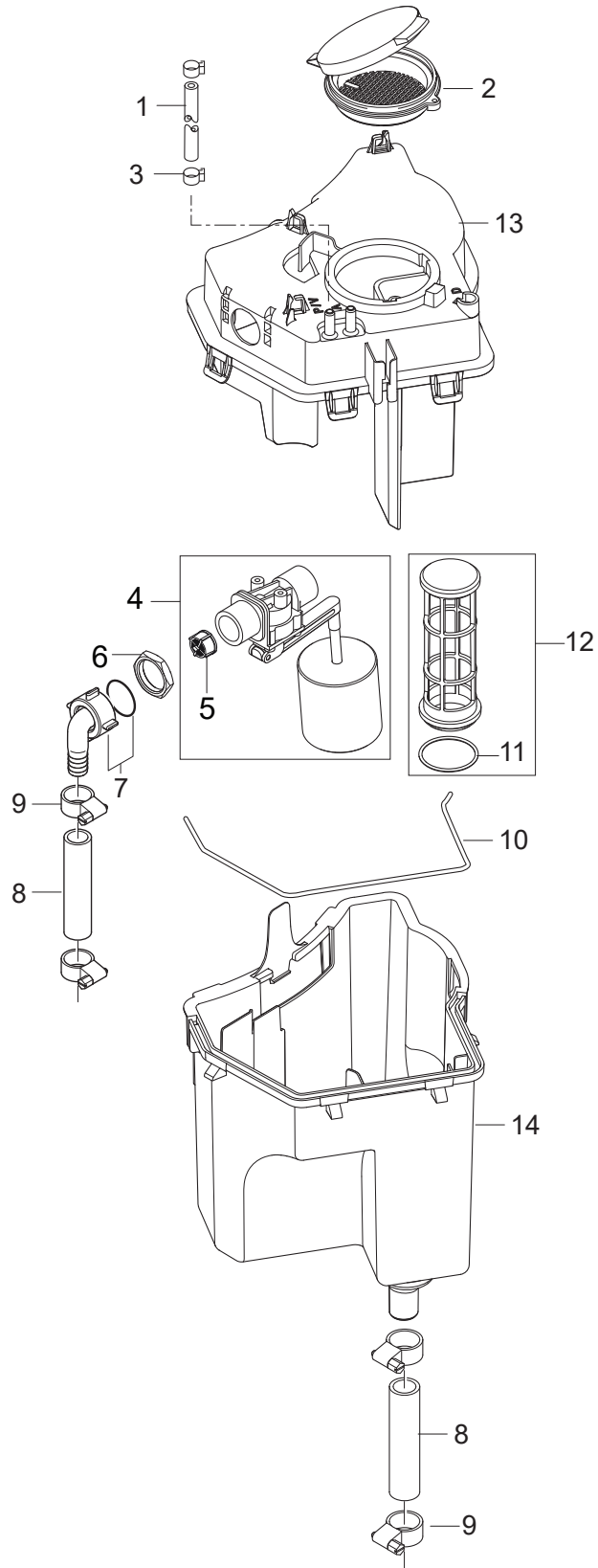


2022.06.01

# TABLE OF CONTENTS

---

Water break tank .....	1
Chassis large .....	3
Cabinet .....	5
Hose reel .....	7
Fuel tank 30L .....	9
Water inlet_FA .....	11
Anti-scale .....	13
1x detergent .....	15
Electric box for motor 1~,3~ STAR and 3~ DELTA .....	17
Electric box .....	19
Electric box for motor Star/Delta .....	22
Cables and wires .....	24
Motor .....	26
Cylinder block .....	28
Burner .....	30
Flow control w. hose connection .....	32
Fan .....	34
Boiler B7 .....	36
Water flow regulation .....	38
Flow control FA .....	40
Default accessories .....	42



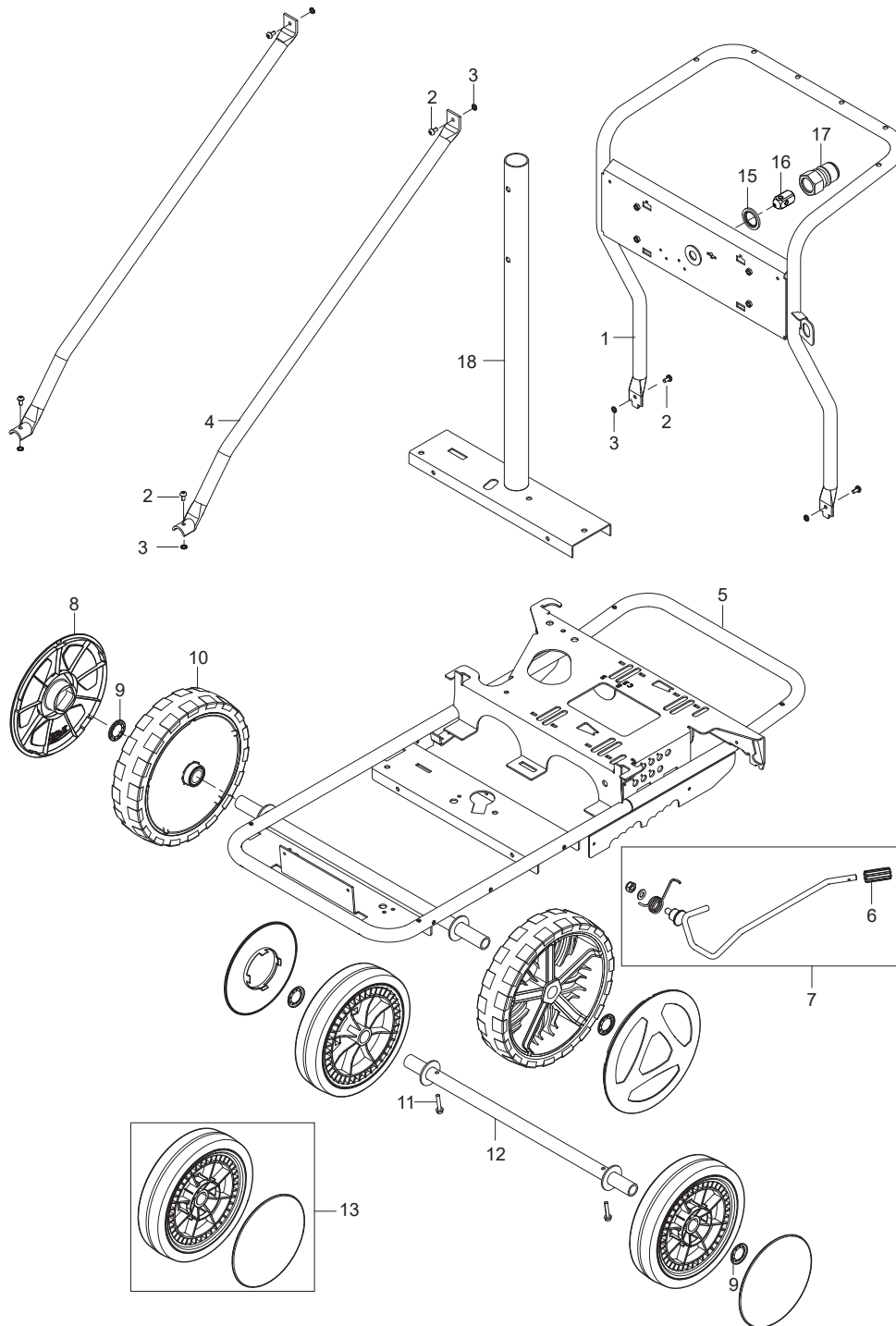
# Water break tank

MH 7P-180/1260

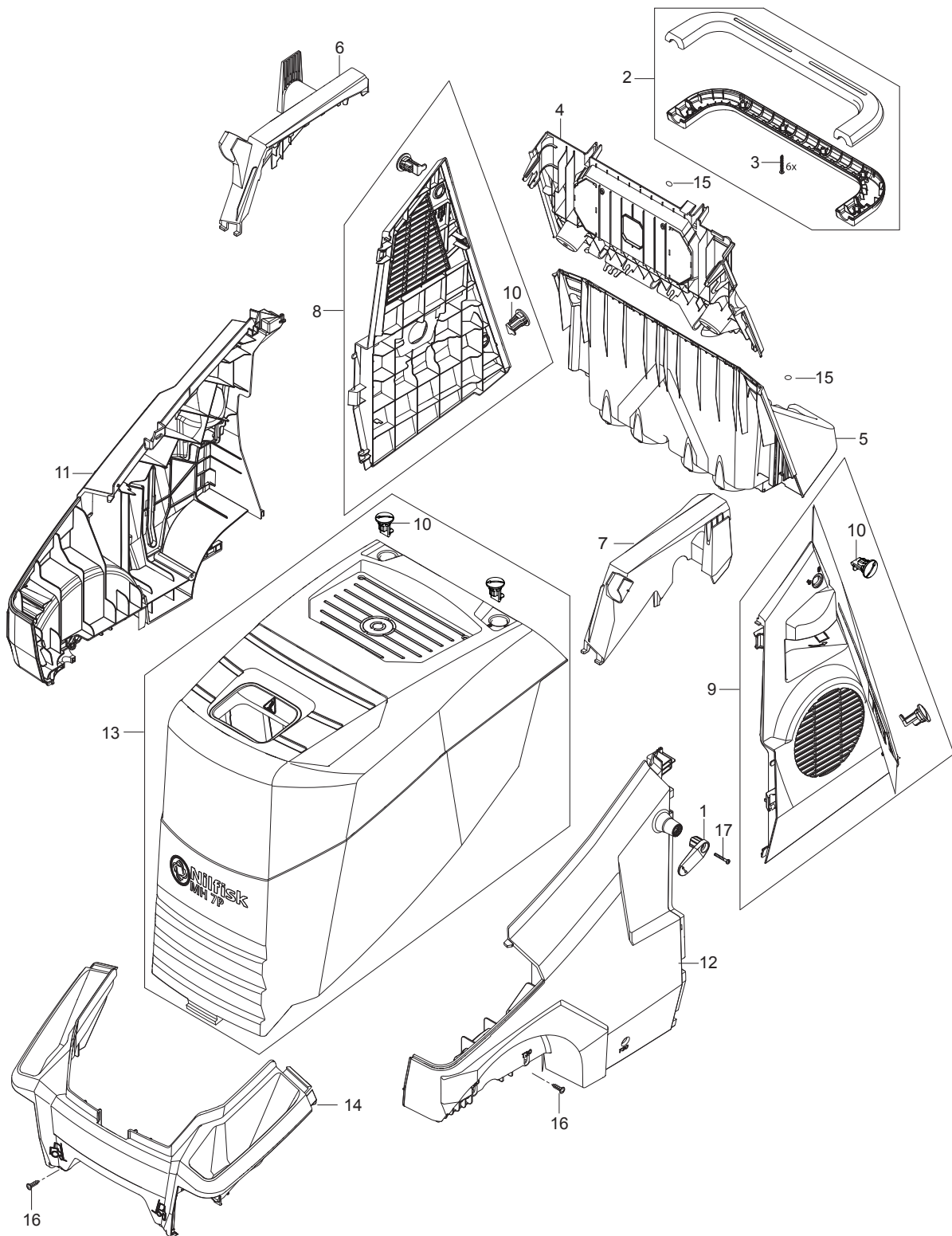
2017.12.18

2020.10.20

No.	Part No.	Qty.	Description	Part Note
1	101406100	1	HOSE DN 6X3 5M	
2	301000561	1	TANK COVER DETERGENT	
3	301001133	2	HOSE CLAMP 10/7	
4	101117784	1	FLOAT VALVE	
5	34218	1	FILTER FOR FLOAT VALVE KU	
6	1800341	1	LOCK NUT (1102760,1500070	
7	107143084	1	HOSE COUPLING 90° 20X3/4 PP W/NUT/GASKET	
8	107143031	1	FUELFLEX HOSE D28/D20 10BAR/20°	
9	8298	4	HOSE CLIP	
10	101406054	1	SPONGE RUBBER Ø 4 1M	
11	107143032	1	O-RING D30X2 SHORE70 NBR BLACK	
12	106403194	1	FILTER FOR WATER BREAK TANK ACCESSORY	
13	107143060	1	COVER FOR WATER TANK	
14	107143030	1	WATER BREAK TANK	

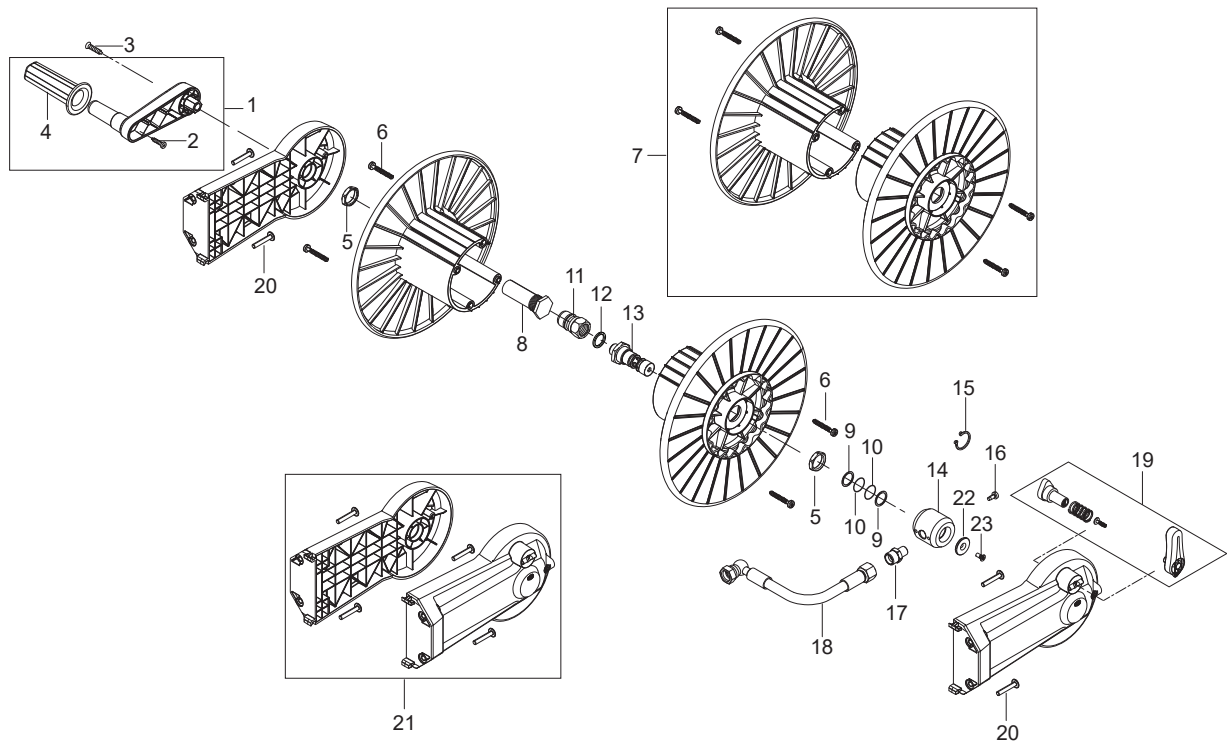


No.	Part No.	Qty.	Description	Part Note
1	31001157	1	FRAME HANDLE	
2	107143018	6	SCREW M6X16	
3	107143146	6	WASHER SERRATED M6	
4	31001158	2	HANDLE STIFFENER LONG	
5	31001159	1	FRAME LARGE WELDED	
6	107143028	1	BRAKE KNOB	
7	101118229	1	BRAKE ARM LONG KIT	
8	107145780	2	WHEEL CAP FOR WHEEL Ø300X65 - NILFISK	
9	46363	4	CLAMPING RING DIA 25	
10	107145637	2	WHEEL D300X65	
11	107143027	2	SCREW M6X35 SW10 DIN7500D FZB	
12	31001160	1	WHEEL AXLE REAR	
13	107143304	2	WHEEL D250 HEAVY LOAD W/CAP	
15	1801075	1	PACKING RING	
16	107143066	1	PISTON	
17	1600493	1	Nippel F. Q-COUPL. 3/8	
18	31001161	1	BOILER TUBE W. BRACKET LARGE	



No.	Part No.	Qty.	Description	Part Note
1	107143025	1	CABLE HOOK CLAMP BLUE	
2	101118192	1	HANDLE KIT	
3	909100148	6	SCREW K40X30 WN 1452	
4	107143013	1	REAR END TOP	
5	107143014	1	REAR END BOTTOM	
6	107143021	1	COVERING FOR HANDLE RIGHT	
7	107143022	1	COVERING FOR HANDLE LEFT	
8	101118223	1	DOOR MPU C3 RIGHT	
9	107143019	1	DOOR LEFT W/LOCKS	
10	301001261	6	LOCKING BOLT Ø29X35	
11	107143130	1	SIDE BUMPER LARGE RIGHT	
12	107143131	1	SIDE BUMPER LARGE LEFT	
13	101118205	1	CABINET MH 7P NILFISK KIT	
14	107143015	1	FRONT BUMPER	
15	107143009	6	BLIND PLUG D16.5 FOR T30 BLACK PE	
16	107143018	12	SCREW M6X16	
17	107141838	7	SCREW K50X18 WN1451	

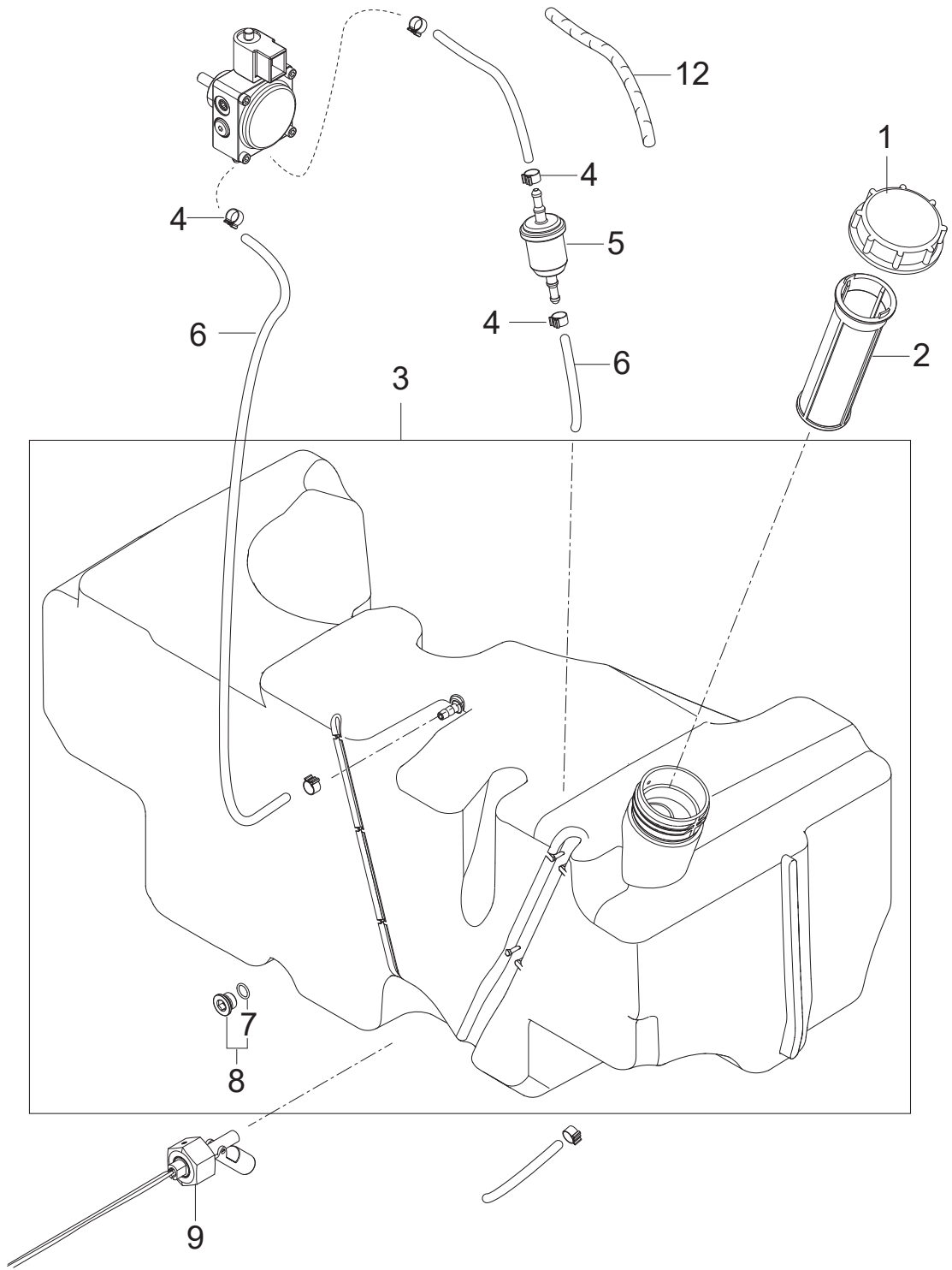




No.	Part No.	Qty.	Description	Part Note
0	106403184	1	HOSE REEL NILFISK	
1	101118215	1	HANDLE FOR HOSE REEL NILFISK	
2	107141838	2	SCREW K50X18 WN1451	
3	107141673	1	SCREW M6X45 ISO 7380 BLACK TORX	
4	107143007	1	ROTATING HANDLE FOR HOSE REEL NILFISK	
5	62696	2	HEXAGON NUT M24X1.5X6	
6	909100153	4	SCREW 6X40	
7	101118209	1	HOSE REEL SIDE KIT	
8	107141675	1	AXLE FOR HOSE REEL	
9	107143017	2	BACK-UP RING	
10	19620	2	O'RING HOSE REEL P5	
11	1600493	1	Nippel F. Q-COUPL. 3/8	
12	1801075	1	PACKING RING	
13	107143123	1	SWIVEL FOR HOSE REEL	
14	101118317	1	BEARING BUSH KIT	[1]
15	1802057	1	CIRCLIP EXTERNAL 20X1.2	[2]
16	107141690	1	SCREW M5X12 DIN7985	
17	54590	2	FITTING NEPTUNE 5/7	
18	107143114	1	CONNECTION HOSE DN8 FOR HOSE REEL	
19	101118212	1	020KE HANDLE FOR HOSE REEL NILFISK KIT	
20	107143010	4	SCREW M6X35	
21	101118208	1	HOSE REEL ADAPTOR KIT	
22	107143125	1	WASHER 25 FOR COUNTERSUNK M5	[3]
23	107143124	1	COUNTERSUNK M5X12 ISO 14581	[3]
		1	Mounting instr. for Hose Reel Nilfisk	[4]

Part Notes:

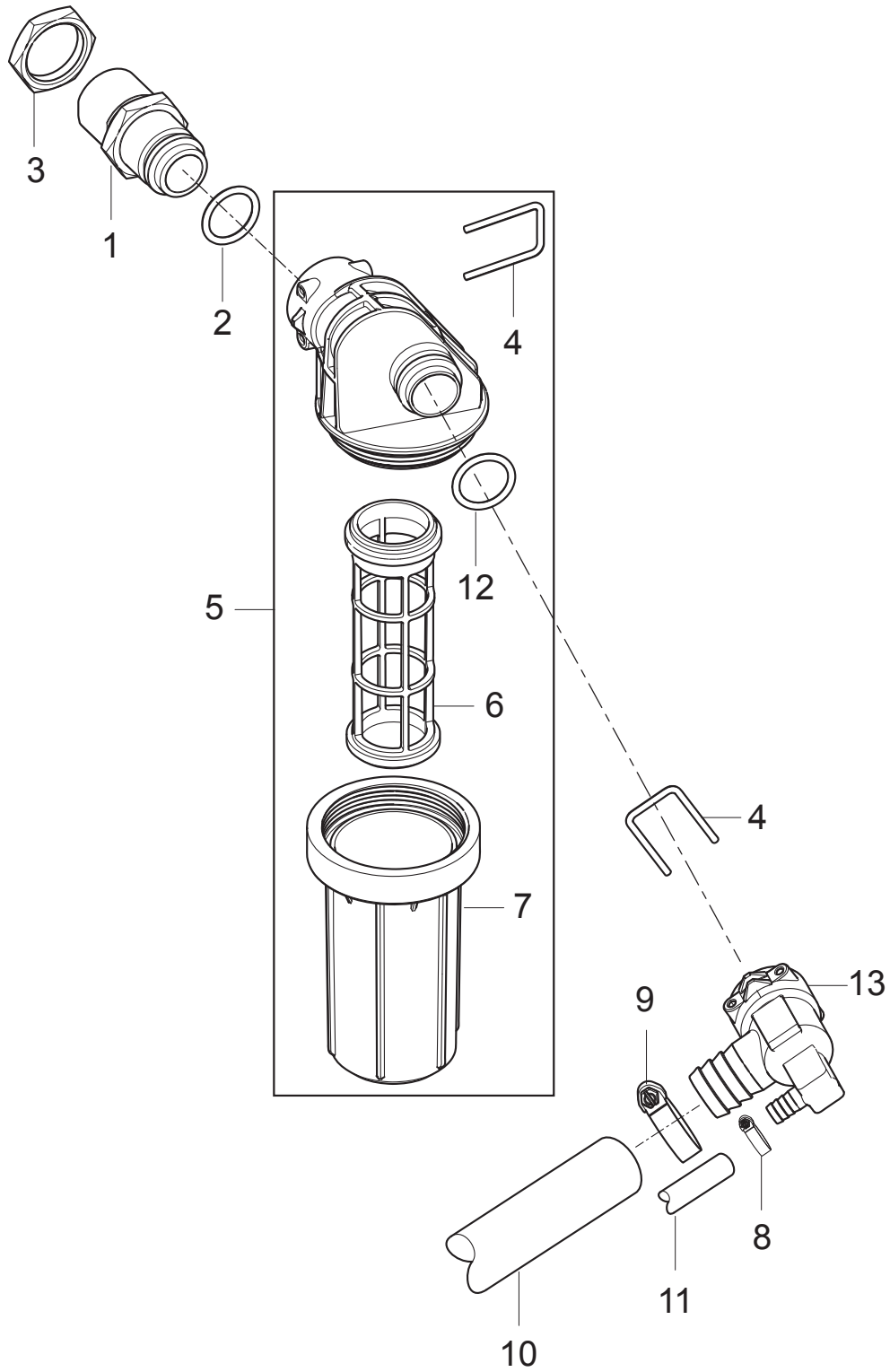
- [1] - TSB-PPW-2019-005 MH Hose Reel Screw 107143124 can break  
DE TSB-PPW-2019-005 MH Schlauchtrommel Schraube 107143124 kann brechen  
TSB-PPW-2019-005 vis cassée à l'enrouleur des MH
- [2] - Up to 07.2016
- [3] - TSB-PPW-2016-018 MH 4M Hose Reel Circlip
- [4] - Mounting instructions MH Nilfisk hose reel



No.	Part No.	Qty.	Description	Part Note
1	107143034	1	FUEL TANK LID - RED	
2	107144862	1	STRAINER Ø49,5X140	
3	107143136	1	FUEL TANK 30L	
4	301001133	6	HOSE CLAMP 10/7	
5	301002926	1	FILTER	
6	106408244	0.35	HOSE D6X2.5 - 5 METERS	
7	3000072	1	O-RING 10.1X1.6 NITRIL 70	
8	6180906	1	PLUG WITH O-RING	[1]
9	107143033	1	LEVEL SENSOR FUEL TANK	
10	107143164	1	BEND PROTECTOR	[2]

## Part Notes:

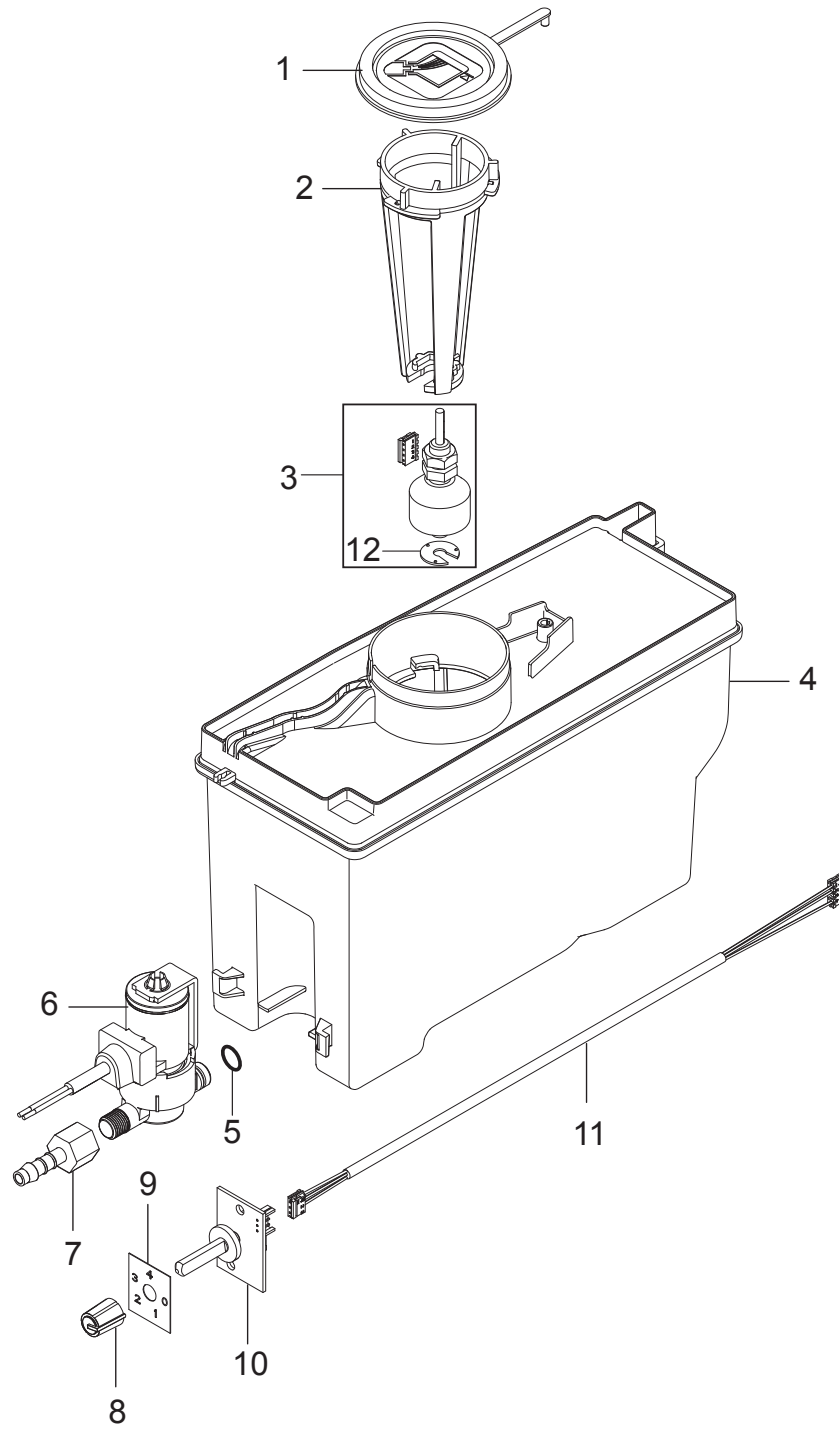
- [1] - STOCK COVERS GUARANTEE
- [2] - DE TSB-PPW-2017-006 MH 3, 4, 5, 6, 7 Kraftstoffschlauch kann durch zu st...  
TSB-PPW-2017-006 MH 3, 4, 5, 6, 7 Fuel hose can bend and block for fuel



No.	Part No.	Qty.	Description	Part Note
1	107143086	1	FITTING FOR WATER INLET	
2	107143088	2	O-RING 18.72X2.62	
3	1800341	1	LOCK NUT (1102760,1500070)	
4	107143085	2	LOCK PIN	
5	107144272	1	FILTER CPL. MH 5000MM2 50µ ACCESSORY	
6	31001100	1	FILTER CARTRIDGE	[1]
7	31001011	1	GLAS FOR WATER FILTER	[1]
8	11654	1	HOSE CLAMP Ø11.5	
9	8298	1	HOSE CLIP	
10	107143031	1	FUELFLEX HOSE D28/D20 10BAR/20°	
11	101406100	1	HOSE DN 6X3 5M	
12	107143088	1	O-RING 18.72X2.62	
13	107143087	1	WATER INLET FITTING FOR	

## Part Notes:

- [1] - TSB-PPW-2020-006 Water inlet filter cartridge and filter glass improved  
 DE TSB-PPW-2020-006 Wasserzulauffilter Glas und Filtereinsatz verbessert  
 TSB-PPW-2020-06 Cartouche de filtre d'entrée d'eau et bocal de filtre amélioré

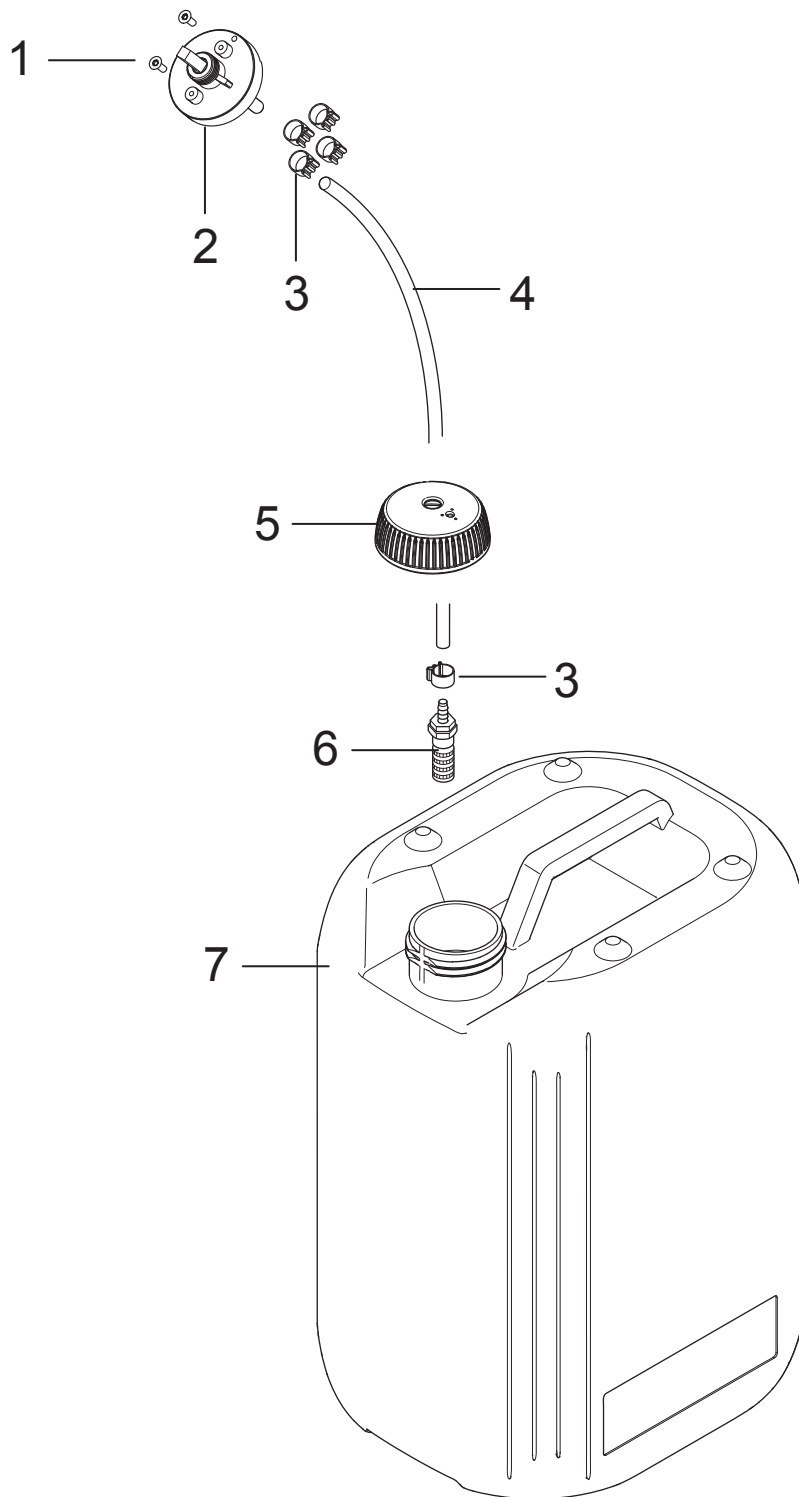


No.	Part No.	Qty.	Description	Part Note
1	45646	1	COVER	
2	107143040	1	LEVELSENSOR BRACKET FOR ANTISCALE	
3	101118214	1	FLOAT SWITCH KIT	
4	107143041	1	ANTISCALE TANK CPL.	
5	31001036	1	O-RING 6X2 NBR 70SH	
6	107143037	1	DOSING VALVE RPE 24VAC	
7	107143036	1	HOSE FITTING D6X1/8 PA	
8	107318222	1	PUSH-ON KNOB 11MM/6MMD/WH	
9	107143042	1	LABEL FOR ANTISCALE	
10	101117730	1	POTENTIOMETER	
11	107143038	1	CABLE FOR ADJUSTMENT ANTI SCALE	
12	107142593	1	HOLDING WASHER PE	[1]

Part Notes:

- [1] - TSB-PPW-2016-017 Locking ring for oil level switch falling off

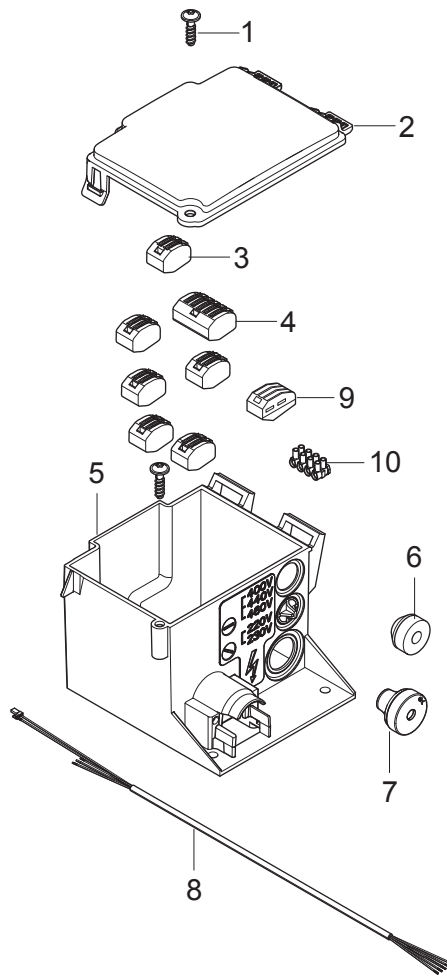




---

No.	Part No.	Qty.	Description	Part Note
1	1814730	2	SCREW 35X10B W1423	
2	301001000	1	valve dia 51x70	
3	301001133	8	HOSE CLAMP 10/7	
4	106408243	1	HOSE 1/4INCH	
5	107141664	2	CAP FOR DETERGENT TANK	
6	107145440	2	STRAINER VALVE COMPL. KIT	
7	80518	1	CANISTER 10 L	

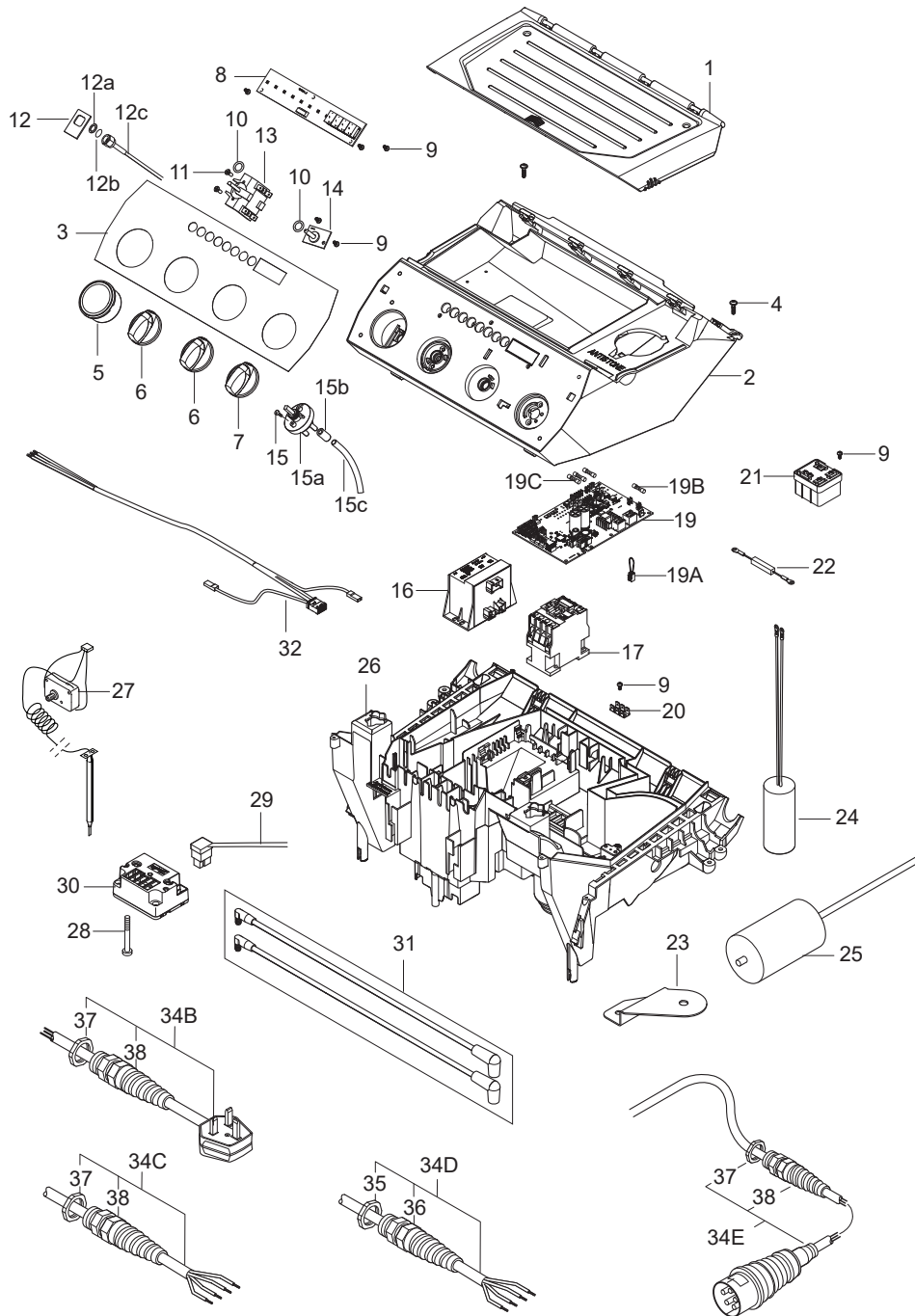
---



No.	Part No.	Qty.	Description	Part Note
1	107141838	1	SCREW K50X18 WN1451	
2	301000782	1	COVER ELEC.BOX 128,2X	
3	107143069	6	SNAP TERMINAL 2 POL	
4	301002165	1	CABLE CLAMP TERMINAL 5POL WAGO 222-415	
5	107143074	1	E-BOX	
6	3803764	1	RUBBER SEAL TET 5-7C	
7	3803772	1	CABLE GROMMET TET 7-10C	
8	107143075	1	MOTOR CABLE 5G1.5 FOR 3~	[1]
8	107143076	1	MOTOR CABLE 5G1.5 FOR 1~	[2]
8	107143071	1	MOTOR CABLE 5G2.5 FOR STAR/DELTA	[3]
8	107143129	1	MOTOR CABLE 4G4 DELTA MH5-6-7	[4]
9	107143069	1	SNAP TERMINAL 2 POL	[5]
10	107143158	1	TERMINAL BLOCK 4-POL 10MM2	[6]

## Part Notes:

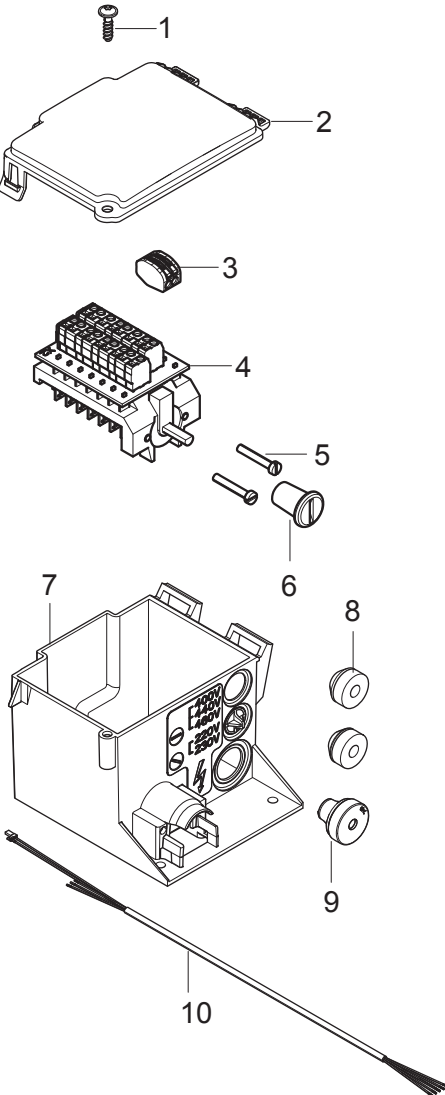
- [1] - MH4, MH5-200
- [2] - MH4 1ph, MH5 1ph
- [3] - MH4 (JP), MH5 (not MH5-200), MH6, MH7
- [4] - MH6 JP, MH7JP
- [5] - 1~
- [6] - MH5-6-7 - Delta, JP



No.	Part No.	Qty.	Description	Part Note
1	107143046	1	TOOL BOX LID	
2	107143045	1	E-BOX TOP	
3	107143153	1	LABEL F. CONTROL PANEL FULL SPEC NILFISK	
4	107141838	2	SCREW K50X18 WN1451	
5	107141648	1	MANOMETER 0-300 BAR	
6	909100204	2	ROTARY KNOB 06X5	
7	909100214	1	ROTARY KNOB	
8	107143154	1	PCBA NEO UI DISPLAY	
9	909100046	5	SCREW 4X8 WN 1412 STZN	
10	9868	2	O-RING 10.2X2.5 NBR 70	
11	18274	2	COUNTERS UNK SCREW M4X12	
12	107141650	1	PLATE FOR MANOMETER	
12a	107141651	1	WASHER M12 13X24X2.5 A2	
12b	31000508	1	O-RING NBR	
12c	102406647	1	HOSE F. PRESSURE GAUGE 1050MM	
13	28877	1	MAIN SWITCH NEPTUNE 5/7	
14	101117730	1	POTENTIOMETER	
15	1814730	2	SCREW 35X10B W1423	
15a	301001000	1	valve dia 51x70	
15b	301001906	1	CLOSING CAP D12X21.5	
15c	106408243	1	HOSE 1/4INCH	
16	107143051	1	POWER TRANSFORMER 230/400V 2X24V	
16	107143064	1	POWER TRANSFORMER 220-240V/440-460V	
16	107143068	1	POWER TRANSFORMER 115 / 200V	
17	103822306	1	CONTACTOR CJX2-D18-B7 24V	[1]
17	103822313	1	CONTACTOR 12-25A	[2]
17	103822317	1	CONTACTOR CJX2-D32 32A	[3]
19	107143151	1	PCBA MH	[4]
19A	101221031	1	JUMPER F. SERVICE TIME RESET	
19B	31001190	1	FUSE 6.3A 5X20 MM 250V	
19C	15846	3	FUSE T 2.5 A	
20	107307326	1	EARTH CONNECTOR 6 PIN	
21	107142761	1	START RELAY RVA4G0C	
22	107141730	1	DISCHARGE RESISTOR 15KOHM/7W	[5]
23	107143134	1	BRACKET FOR CAPACITOR	[5]
24	107143182	1	CAPACITOR 70UF 450/500V RP-3	[6]
25	107141619	1	CAPACITOR 170MF	[5]
26	107143062	1	E-BOX BOTTOM	
27	106268028	1	EXHAUST SAFETY THERMOSTAT	
28	909100149	2	SCREW K50X50 T25 WN1453	
29	107143098	1	PRIMARY CABLE FOR IGNITION COIL	
30	101117759	1	IGNITION TRANSF 220-240	[7]
31	101118220	1	2 X IGNITION CORDS KIT	
32	107143056	1	CABLE FOR POWER TRAF0 PRIM 230V	
32	107143063	1	CABLE FOR POWER TRANSFORMER PRIM 400V	
32	107143072	1	CABLE F. POWER TRANSFORMER PRIM 230/400	
34B	101117812	1	POWER C.H07RN 3G1.5 BS13 GDN 6.3X0.8 KIT	[8]
34C	101118182	1	POWER CORD H07RN 4G2.5X6M GND 6.3X0.8 NO	[9]
34D	107143126	1	POWER CORD 4X5.5MM2 X9M	[10]
34E	101118222	1	POWER CORD H07RN 4G1,5 CEE5	[11]
35	909100198	1	SCREWED CABLE GLAND	
36	909100020	1	HEXAGON THIN NUT	
37	909100019	1	HEX, NUT	
38	909100043	1	CORD, FIXING	

## Part Notes:

- [1] - MH5M-100/760 UK, MH5M-200/960 EU, MH5M-210/1100 EU,  
MH6P-175/1250 EU, MH6M-200/1300 EU, MH7P-180/1260 EU
- [2] - MH5M-210/1100 NO, MH7P-180/1260 NO, MH8P-180/2000 EU
- [3] - MH5M-210/1100 EXP, MH6P-200/1300 NO, MH6P-210/1100 JP, MH6P-210/1300 EXP, MH7P-180/1260 JP
- [4] - TSB-PPW-2018-014 MH models Software update  
DE TSB-PPW-2018-014 MH-Modele Software Update
- [5] - 1ph
- [6] - 1ph  
  
TSB-PPW-2018-003 MH\_MC change of start relay and run capacitor  
TSB-PPW-2018-003 MH\_MC Changement du relais de démarrage et du condensateur de fonctionnement
- [7] - TSB-PPW-2018-004 Boiler cannot start - no ignition  
FR TSB-PPW-2018-004 Le bruleur ne démarre plus  
DE TSB-PPW-2018-004 Brenner startet nicht - keine Zündung
- [8] - MH5M-100/760 UK
- [9] - MH 5M-210/1100 EXP+NO, MH6P-200/1300 EXP+NO, MH7P-180/1260 NO
- [10] - MH6P-210/1100 JP, MH7P-180-1260 JP
- [11] - MH5M-200/960 EU, MH5M-210/1100 EU, MH6P-175/1250 EU, MH6P-200/1300 EU, MH7P-180/1260 EU

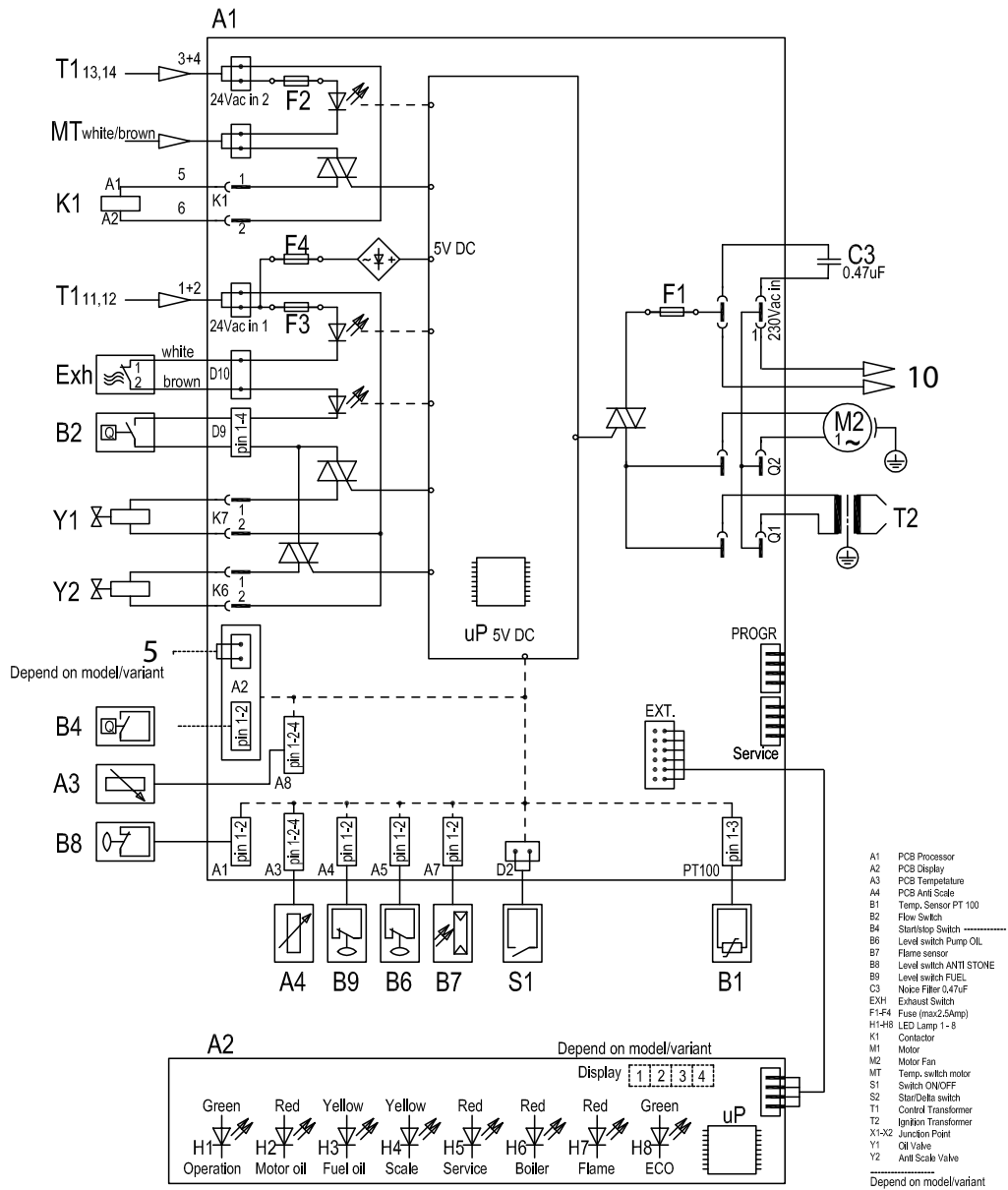




No.	Part No.	Qty.	Description	Part Note
1	107141838	1	SCREW K50X18 WN1451	
2	301000782	1	COVER ELEC.BOX 128,2X	
3	107143069	1	SNAP TERMINAL 2 POL	
4	107143073	1	PCB SWITCH STAR/DELTA	
5	101117739	2	SCREW HEX M4X22-8.8 A2K	
6	64580	1	ROTARY KNOB	[1]
7	107143074	1	E-BOX	
8	3803764	2	RUBBER SEAL TET 5-7C	
9	3803772	1	CABLE GROMMET TET 7-10C	
10	107143071	1	MOTOR CABLE 5G2.5 FOR STAR/DELTA	

## Part Notes:

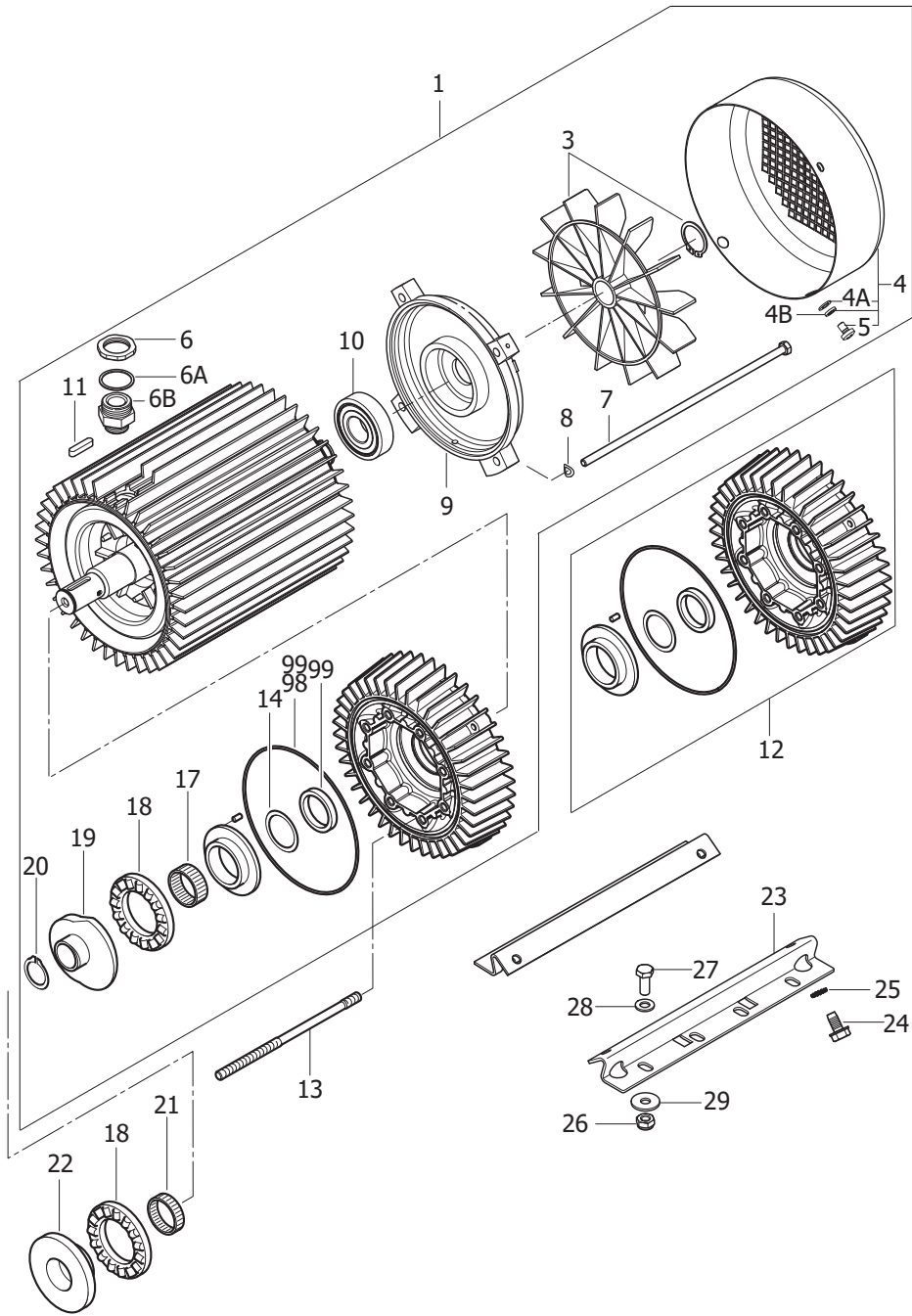
- [1] - TSB-PPW-2016-007 Rotary knob for Voltage selector switch 230V-400V must be sealed with lacquer  
 DE TSB-PPW-2016-007 Drehknopf des Spannungsauswahlschalters 230V-400V muss mit Lack versiegelt werden



No.	Part No.	Qty.	Description	Part Note
T1	107143052	2	CABLE FOR POWER TRANSFORMER SEC 6X0.75	
MT	107143070	1	CABLE FOR MT	
K1	107143052	1	CABLE FOR POWER TRANSFORMER SEC 6X0.75	
Exh	107143055	1	CABLE FOR HOT WATER MODE AND EXH. SWITCH	
B2	107143121	1	REED SWITCH NO W/CABLE	
Y1	107143095	1	CABLE FOR SOLENOID VALVE 2X0.5	
Y2	107143037	1	DOSING VALVE RPE 24VAC	
5	101118188	1	MICRO-SWITCH KIT	[1]
B4	107143121	1	REED SWITCH NO W/CABLE	[2]
A3	107143043	1	CABLE FOR TEMPERATURE ADJUSTMENT	
B8	101118214	1	FLOAT SWITCH KIT	
A4	107143038	1	CABLE FOR ADJUSTMENT ANTI SCALE	
B9	107143033	1	LEVEL SENSOR FUEL TANK	
B6	101118173	1	OIL SENSOR W/PLUG KIT	[3]
B7	107143100	1	FLAME SENSOR WITH CABLE	
S1	107143055	1	CABLE FOR HOT WATER MODE AND EXH. SWITCH	
B1	107143083	1	TEMPERATUR SENSOR PT100	
A2	107143053	1	CABLE FOR UI	
T2	107143098	1	PRIMARY CABLE FOR IGNITION COIL	
M2	107143096	1	MOTOR BURNER -	[4]
M2	107143097	1	MOTOR BURNER	[5]
10	107143054	1	WIRE BLACK L=400	
C3	101117867	1	NOISE FILTER KIT	

## Part Notes:

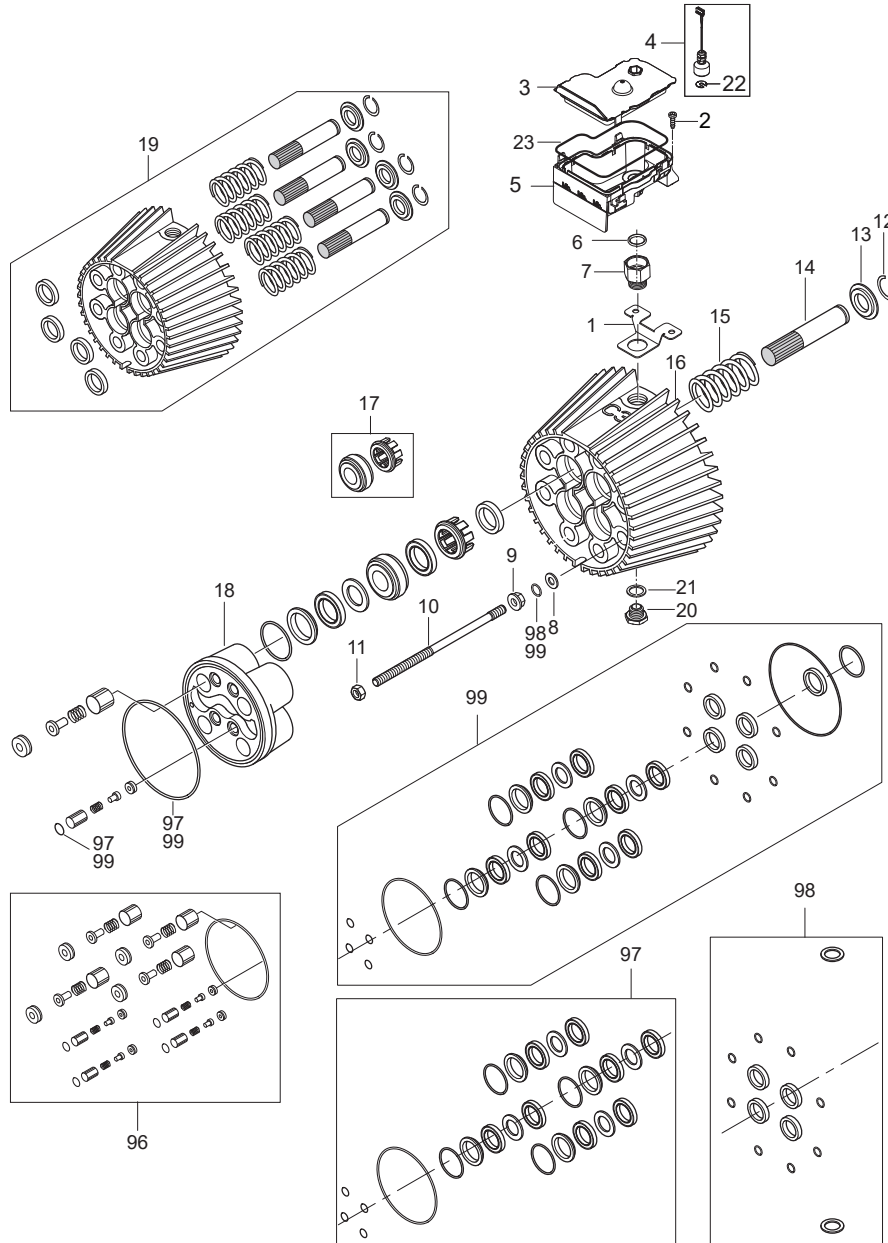
- [1] - NA5 PA  
 [2] - FA  
 [3] - MI 107309166 JST Connector  
 [4] - MH 5M-210/1100 FA 400/3/50 Gerni, MH 5M-210/1100 FAX 400-230/3/50 NO, MH 6P-175/1250 FAX 400/3/50 EUMH 6P-200/1300 FAX 400/3/50 EU, MH 7P-180/1260 FA 400/3/50 EU  
 [5] - MH 5M-210/1100 FA 440-220/3/60 EXPT, MH 6P-210/1100 FA 200/3/50-60 JP, MH 6P-195/1350 FA 440-220/3/60 EXPT, MH 7P-180/1260 FA 200/3/50-60 JP



No.	Part No.	Qty.	Description	Part Note
	31001229	1	OIL ISO 150 ALPHASYN-T 20L	
0	5218433	1	PUMP OIL 150 1*1 L	
1	101118225	1	MOTOR 6.5KW 200 3 60 KIT	
1	101118226	1	MOTOR 6.5KW 400 415 230 3 50 KIT	
1	101118227	1	MOTOR 6.5KW 200 3 50 KIT	
2		1	Shaft retaining ring Ø28x1.2	
3	107142275	1	FAN INCL. LOCK RING	
4	107142276	1	COVER FOR FAN	
4A		4	Plain washer M5 DIN125A galv	
4B		4	Lock washer M5 DIN 7980 A zinc plated	
5	1813781	2	SCREW M5X8	
6	20862	1	HEXAGON NUT R1 DIN 431	
6A	103004340	1	GASKET 1 INCH	
6B	107302152	1	BUSH G1 AG/G3/4	
7	31000493	4	STAY BOLT 306 MM	
8	1801182	4	SPRING WASHER M8	
9	107142277	1	REAR BEARING COVER	
10	31000149	1	REAR BEARING RF	
11	3200672	1	KEY 6X6X32	
12	107140615	1	FRONT BEARING COVER	
13	6301368	8	STUDS	
14	6100995	1	WASHER	
17	3200656	1	NEEDLE BEARING INA K	
18	3200615	2	AXIAL ROLLER BEARING	
19	107120710	1	WOBBLE DISC 6	[1]
19	107120716	1	WOBBLE DISC	[2]
20	1802511	1	SEGER CIRCLIP	
21	3200664	1	NEEDLE BEARING	
22	107120704	1	BEARING TRACK	[3]
23	107142071	2	MOTOR BRACKET C3	
24	107140908	4	SPECIAL SCREW M10x20 F.	
25	10204	8	SERRATED LOCK WASHER A10	
26	8952	4	HEX M10 LOCK NUT NYLON	
27	1801133	4	SCREW M10X25 ISO4017 ZN	
28	2767	4	WASHER 10.5 X 20 X 2	
29	4827	4	WASHER 10.5X2.5	
98	1119820	1	REP.KIT OILGASKET 03/C3	
99	1119570	1	REP.KIT GASKETS, MPS	

Part Notes:

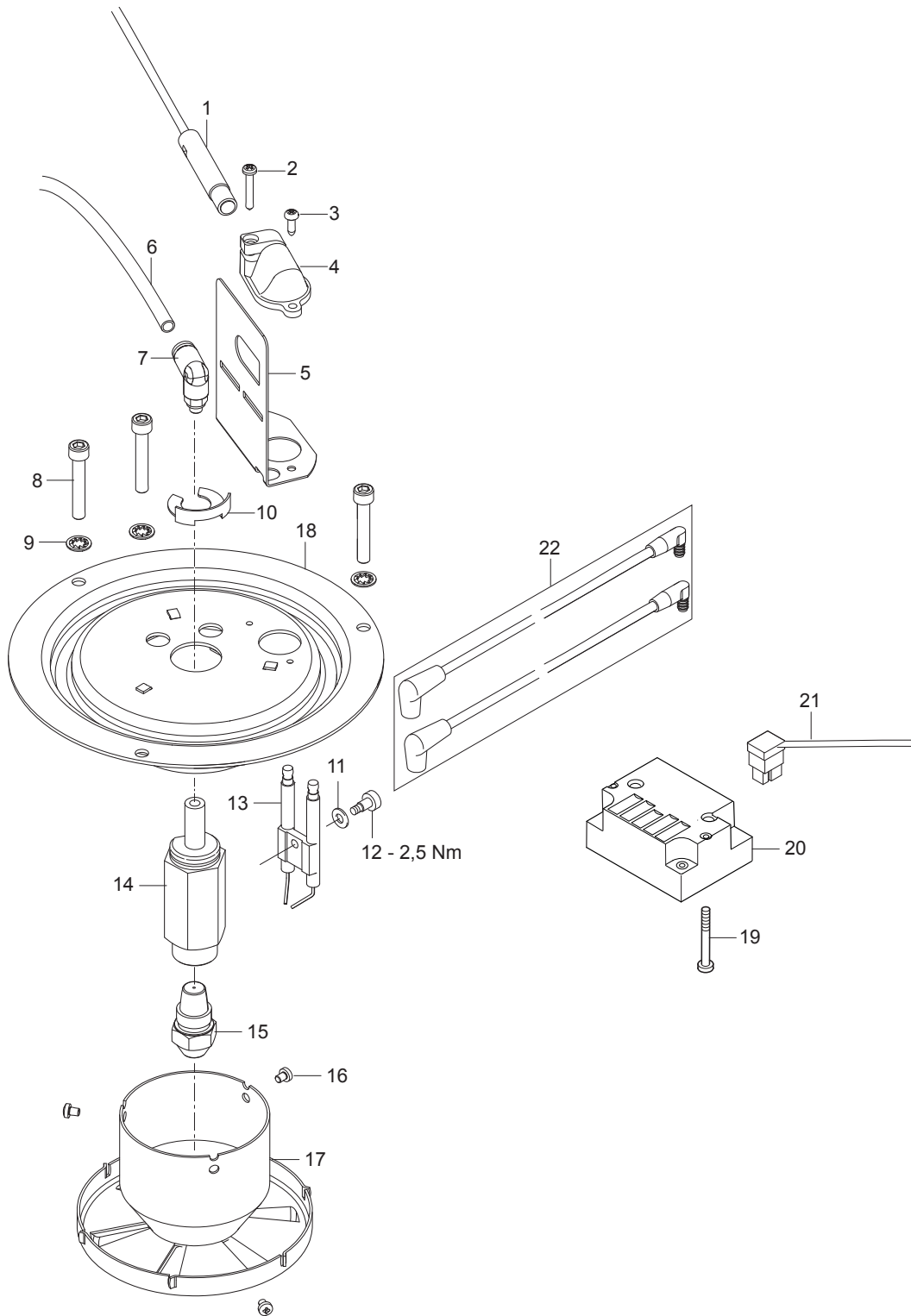
- [1] - TSB-PPW-2019-007 C3 NA6 Wobble Disc and Bearing Track surface hardening change  
Machine no. 107146985 MH 7P-180/1260, 107146986 MH 7P-3000/5,4
- [2] - TSB-PPW-2019-007 C3 NA6 Wobble Disc and Bearing Track surface hardening change  
Machine no. 107146980, 107146981, 107146982, 107146983, 107146994, 107146984 - MH 7P-180/1260
- [3] - TSB-PPW-2019-007 C3 NA6 Wobble Disc and Bearing Track surface hardening change



No.	Part No.	Qty.	Description	Part Note
	31001229	1	OIL ISO 150 ALPHASYN-T 20L	
0-	5218433	1	PUMP OIL 150 1*1 L	[1]
1	107141609	1	PLATE FOR ADAPTOR FOR	
2	107140881	2	SCREW M5X12 DIN 7985 TORX	
3	107140877	1	OIL CONTAINER TOP	
4	101118173	1	OIL SENSOR W/PLUG KIT	
5	107143094	1	OIL CONTAINER BOTTOM	
6	107140882	1	O-RING 15.0 X 3.0 SMS	
7	107141610	1	SCREW CONNECTION C3	
8	6100718	8	WASHER	
9	6100719	8	THRUST COLLAR	
10	6301368	8	STUDS	
11	1800465	8	NUT M10 REPLACES 1101240	
12	1802529	4	LOCK RING SW24	
13	6100666	4	RING F. RETURN SPRING	
14	6301166	4	CERAMIC PISTON C3	
15	102602517	4	RETURN SPRING R/P#2602274	
16	6100610	1	CYLINDER BLOCK	
17	107120700	4	THRUST COLLAR	
17	101119850	1	KIT THRUSTRING +BACK UP	[2]
18	107120701	1	CYLINDER HEAD C3	
19	6300071	1	CYLINDER BLOCK	
20	6150400	1	DRAIN PLUG	
21	106408208	1	COPPER SEALING 17X25X1.5	
22	107142593	1	HOLDING WASHER PE	
23	101406054	1	SPONGE RUBBER Ø 4 1M	
96	1119310	1	VALVE SYSTEM 02/A2/03	
97	1119571	1	REP.KIT F. GASKETS (RED.)	
98	1119820	1	REP.KIT OILGASKET 03/C3	
99	1119570	1	REP.KIT GASKETS, MPS	

## Part Notes:

- [1] - 1,1 l. - OIL TYPES\_QUANTITY for HPW\_APRIL 2017  
 [2] - Supporting ring metal

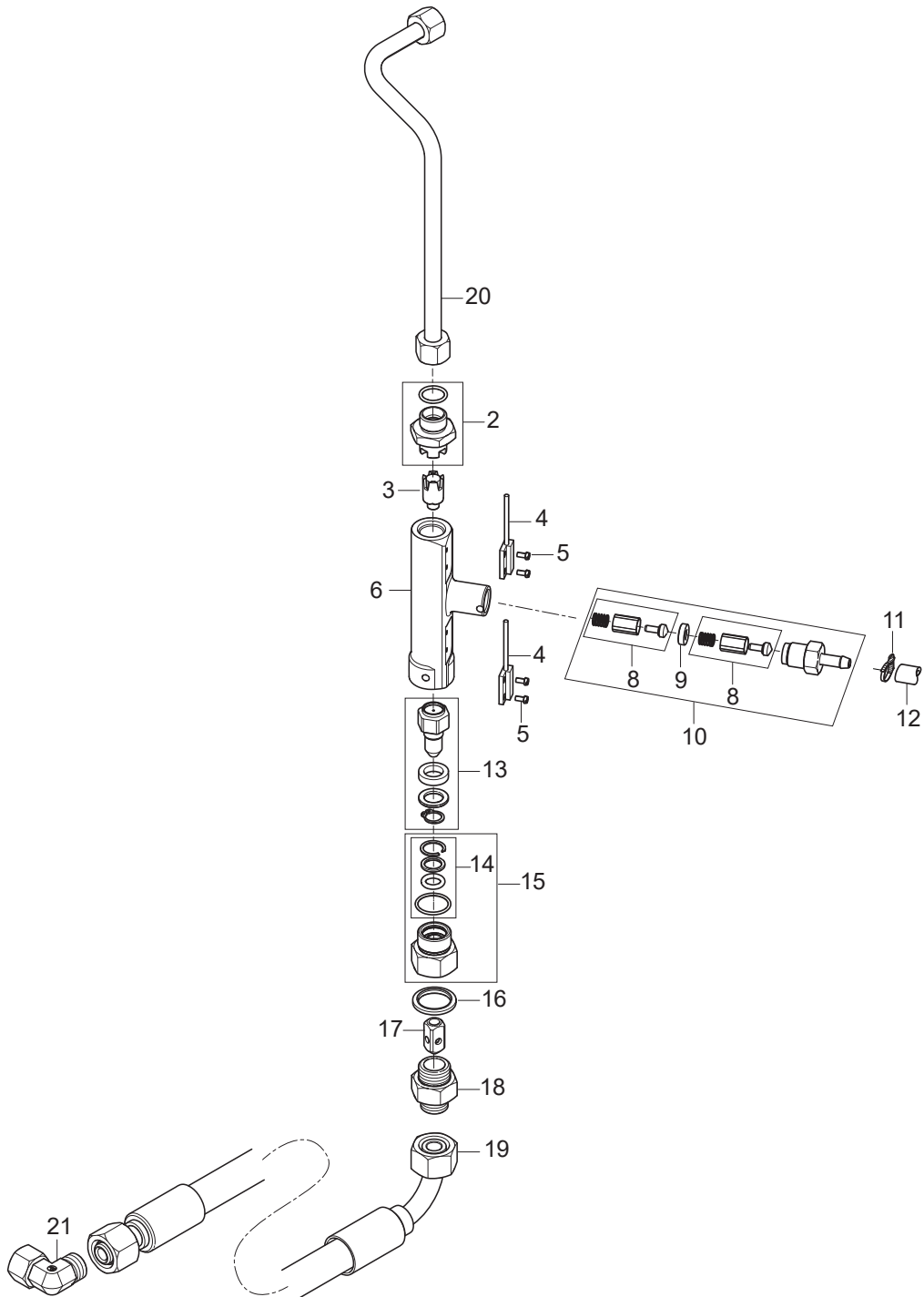




No.	Part No.	Qty.	Description	Part Note
1	107143100	1	FLAME SENSOR WITH CABLE	
2	5606	1	SCREW 2,9X19	
3	4036	1	SHEET METAL SCREW 2.9X9	
4	301000934	1	HOLDER NEPTUNE SENSOR	
5	107143101	1	SHIELD FOR FLAME SENSOR	
6	909100141	1	PIPE Dia 4x1	
7	101117913	1	ELBOW 4/M5 PUSH-IN	
8	3873	3	SCREW M5X30	
9	3376	3	SERRATED LOCK WASHER D5.3 A2 DIN 6798A	
10	101117876	1	CIRCLIPS	
11	909100144	1	SPRING WASHER B5	
12	909100143	1	PAN HEAD SCREW M4X 4.5	
13	301150009	1	IGNITION ELECTRODE KIT	
14	101117915	1	OIL NOZZLE HOLDER	
15	101118013	1	FUEL NOZZLE 2.25 GAL/H 60	
16	51848	3	OVEL HEAD SCREW	
17	301001833	1	AIR DISTRIBUTOR D90X59.2	
18	301000606	1	COVER Å~150X38	[1]
19	909100149	2	SCREW K50X50 T25 WN1453	
20	101117759	1	IGNITION TRANSF 220-240	[2]
21	107143098	1	PRIMARY CABLE FOR IGNITION COIL	
22	101118220	1	2 X IGNITION CORDS KIT	

Part Notes:

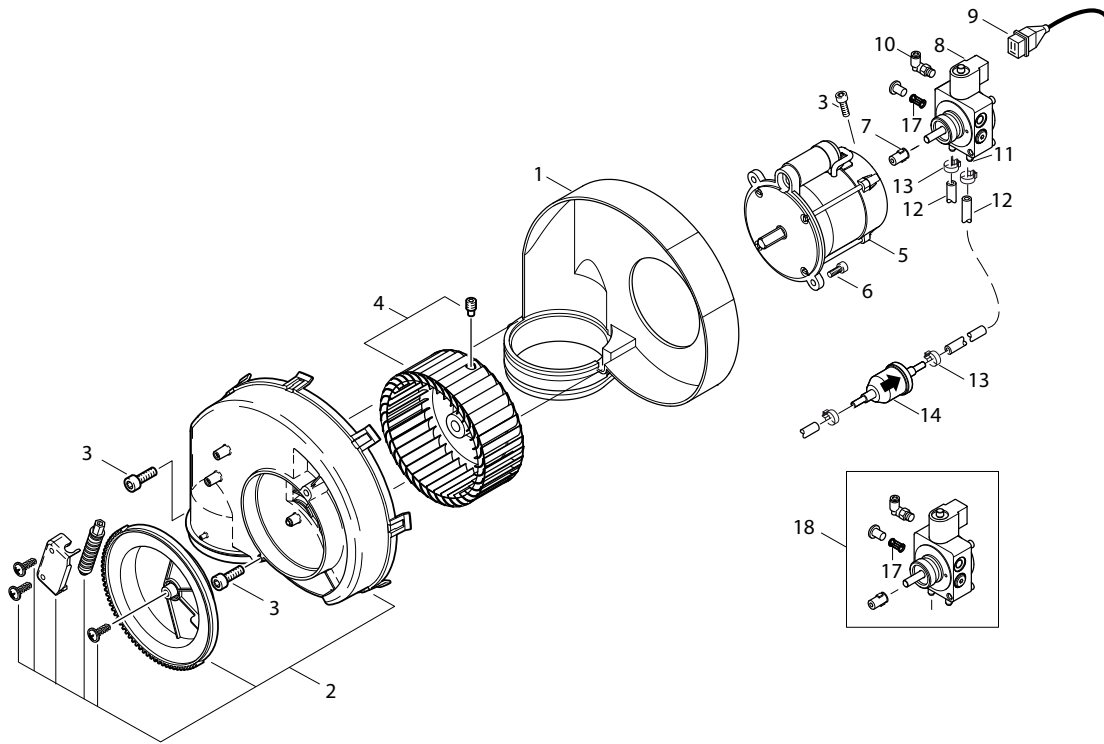
- [1] - MH5, MH6, MH7, MH8
- [2] - TSB-PPW-2018-004 Boiler cannot start - no ignition  
FR TSB-PPW-2018-004 Le bruleur ne démarre plus  
DE TSB-PPW-2018-004 Brenner startet nicht - keine Zündung



No.	Part No.	Qty.	Description	Part Note
2	101118190	1	MALE STUD M18X1.5 KIT	
3	101118055	1	MAGNET AND HOUSE FOR	
4	107143121	2	REED SWITCH NO W/CABLE	
5	101118033	4	SCREW M3X6 BRASS DIN	
6	101118308	1	FLOW CONTROL HOUSING FA	
8	1119566	2	REPAIR KIT, NON RETURN VA	
9	6201535	1	SEAT	
10	1119318	1	REP.KIT NON RETURN VALVE	
11	11654	2	HOSE CLAMP Ø11.5	
12	101406100	0.92	HOSE DN 6X3 5M	
13	101117896	1	NON RETURN VALVE W/MAGNET	
14	101118191	1	SEALING KIT FOR MALE STUD	
15	101118230	1	MALE STUD F.NON-RET.VALVE 1/2"-M22X1-KIT	
16	1807932	1	SELF-SEALING WASHER	
17	6101038	1	PISTON F. NON RETURN VALV	
18	107143155	1	PISTON HOUSING 1/2" - M18X1.5	
19	107143171	1	HP HOSE DN10 505 DKL-DKL 90D	
20	107143172	1	PIPE FLOW CONTROL NA6-NA6+C3/B7	
21	101118094	1	COUPLING KIT 90D ISO	
19+20+21	101118293	1	HP HOSE AND CONNECTION PIPE KIT	[1]

## Part Notes:

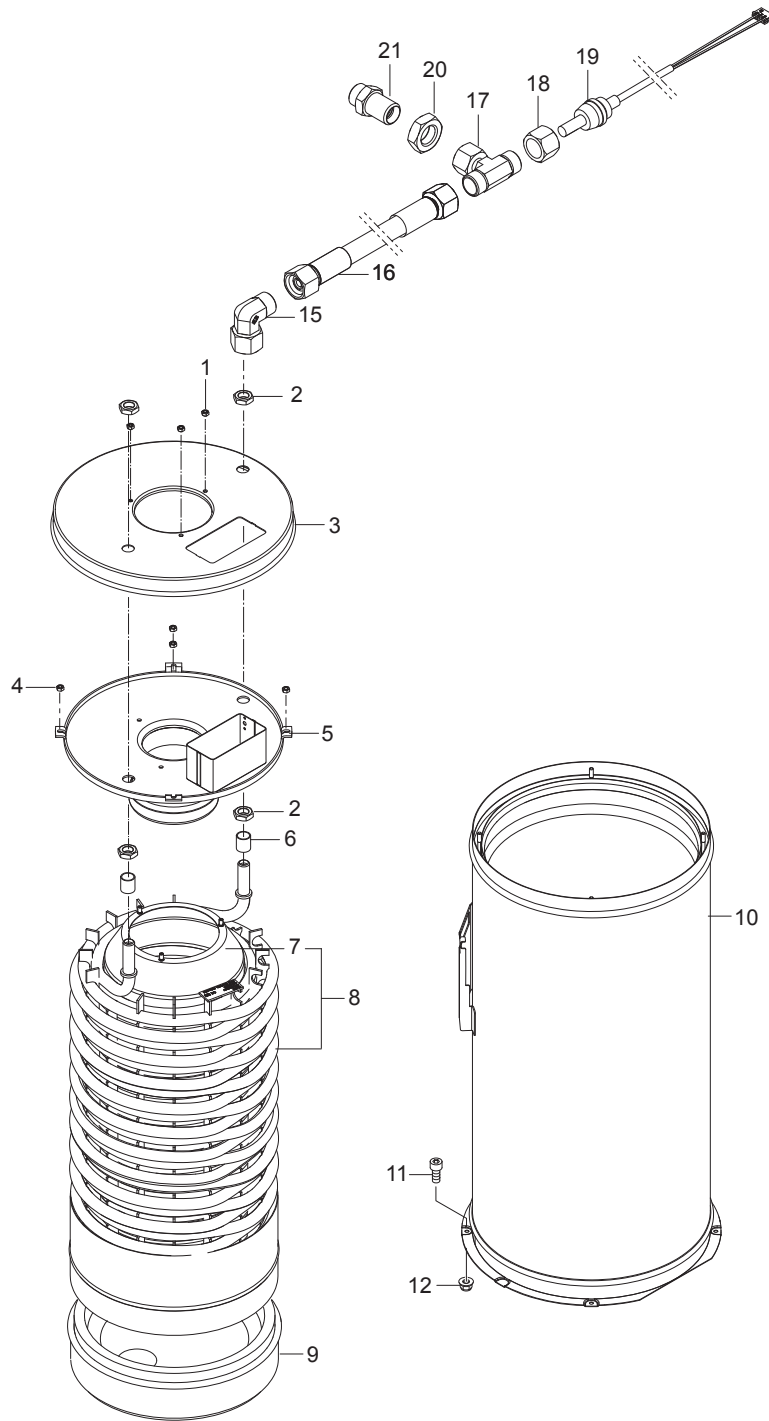
- [1] - TSB-PPW-2018-005 MH 6\_MH 7 Pipe to flow control changed  
 DE TSB-PPW-2018-005 MH 6 MH 7 Hochdruckleitung zu der Flusststeuerung wir...  
 TSB-PPW-2018-005 MH6 et 7P, nouveau tube pour le controleur de débit



No.	Part No.	Qty.	Description	Part Note
1	301000495	1	FAN HOUSE	
2	301000852	1	COVER FOR FAN HOUSING	
3	32535	3	SCREW M5X16	
4	301000889	1	FAN WHEEL 160X60	[1]
4	301002126	1	FAN WHEEL	[2]
5	107143096	1	MOTOR BURNER -	[1]
5	107143097	1	MOTOR BURNER	[2]
6	4697	2	SCREW M6X16	
7	101117707	1	COUPLING FOR OIL PUMP BFA	
8	3821089	1	COIL WITH NUT AND WASHER	
9	107143095	1	CABLE FOR SOLENOID VALVE 2X0.5	
10	101117706	1	PUSH-IN ANGLE FITTING	
11	101117777	1	HOSE CONNECTIONS FOR	
12	106408244	1	HOSE D6X2.5 - 5 METERS	
13	301001133	2	HOSE CLAMP 10/7	
14	301002926	1	FILTER	
17	31001081	1	FILTER FOR OIL PUMP	
18	101117673	1	OIL PUMP INCL. FITTINGS	

## Part Notes:

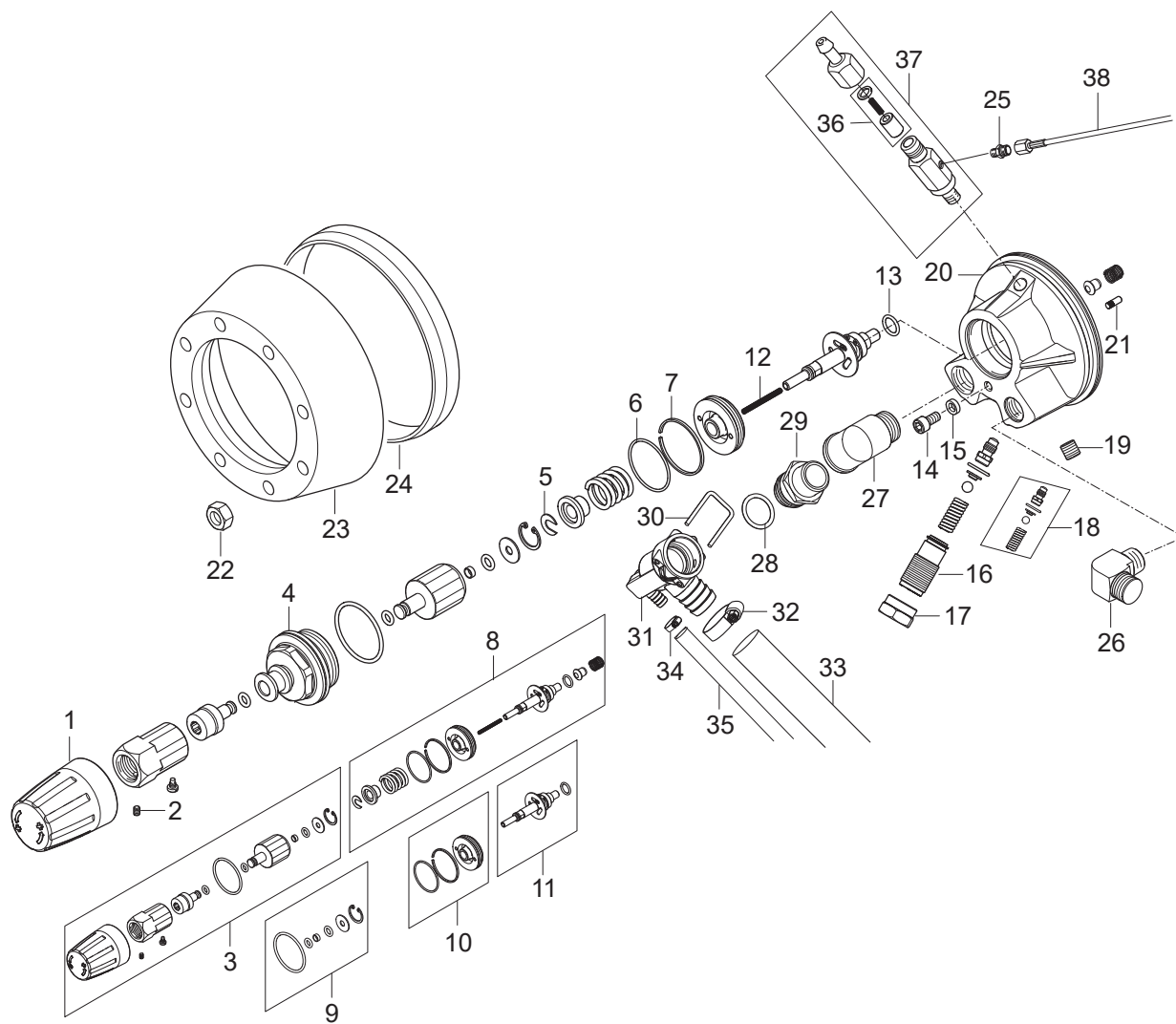
- [1] - MH 5M-210/1100 FA 400/3/50 Gerni, MH 5M-210/1100 FAX 400-230/3/50 NO, MH 6P-175/1250 FAX 400/3/50 EUMH 6P-200/1300 FAX 400/3/50 EU, MH 7P-180/1260 FA 400/3/50 EU
- [2] - MH 5M-210/1100 FA 440-220/3/60 EXPT, MH 6P-210/1100 FA 200/3/50-60 JP, MH 6P-195/1350 FA 440-220/3/60 EXPT, MH 7P-180/1260 FA 200/3/50-60 JP



No.	Part No.	Qty.	Description	Part Note
0	107144780	1	HEAT EXCHANGER B7 SS, MH	
1	3136	3	HEXAGON NUT M6	
2	7012	4	HEXAGON NUT M18X1.5	
3	31001162	1	OUTER BOILER TOP B5 - B7	
4	12263	4	HEXAGON NUT M6	
5	31001166	1	INSIDE BOILER TOP CPL. B7	
6	301000582	2	BUSHING Ø22X1.5X24	
7	301000541	1	SHIELDING CONE NEPTUNE 5	
8	31001167	1	COIL WELDED B7	
8	107143300	1	COIL B7 INOX	[1]
9	301000916	1	INSULATION	[2]
10	31001168	1	JACKET CPL. B7	
11	4697	2	SCREW M6X16	
12	11619	2	Lock Nut M6 - 8 A2K	
15	101118094	1	COUPLING KIT 90D ISO	
16	106268112	1	HP HOSE DN10 705 DKL-DKL	
17	101118093	1	T-FITTING M18 X 1.5 THREA	
18	1081	1	UNION NUT HOSE REEL	
19	107143083	1	TEMPERATUR SENSOR PT100	
20	1803220	1	LOCK NUT	
21	107143082	1	OUTLET FITTING	

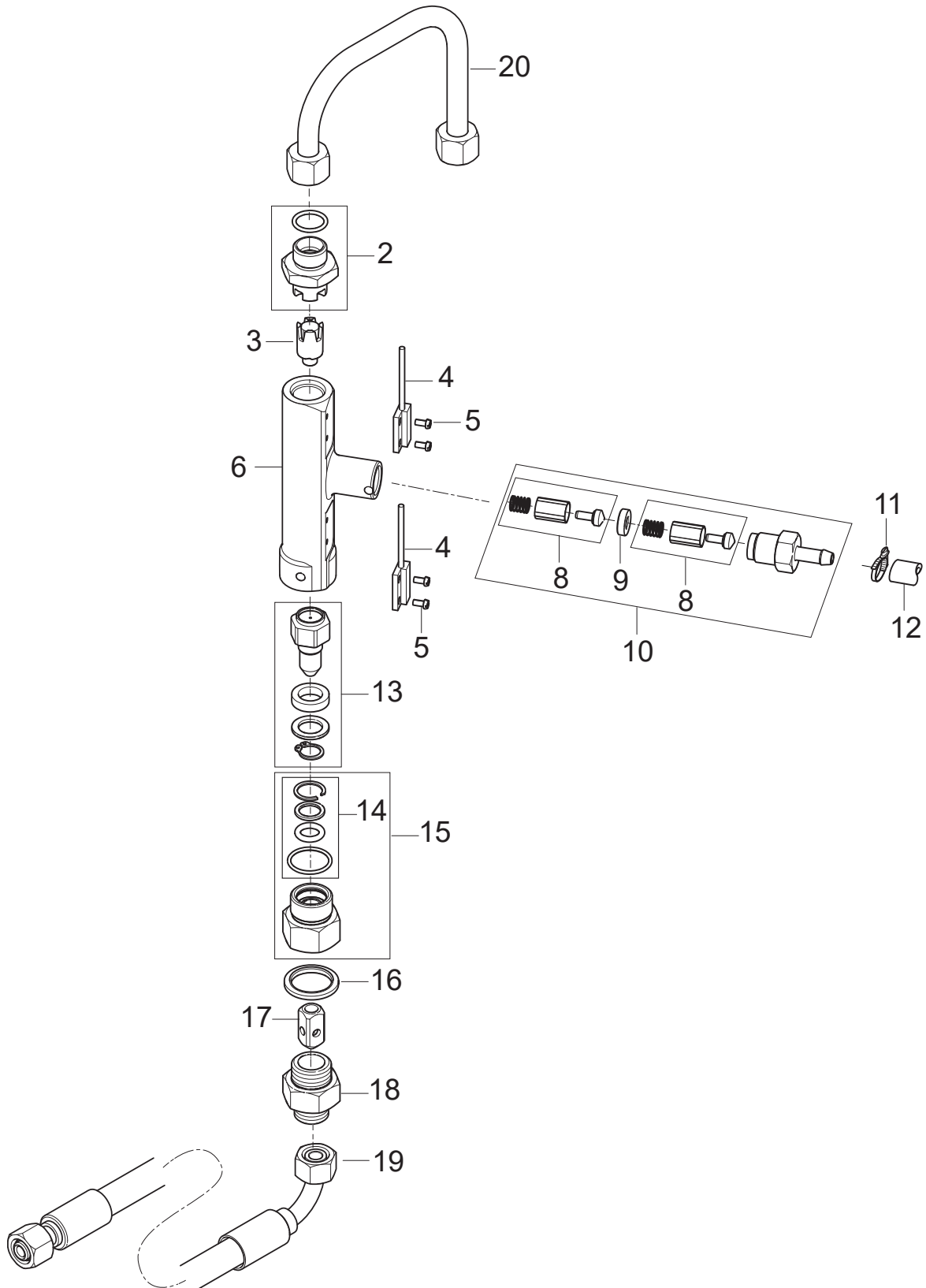
Part Notes:

- [1] - TSB-PPW-2017-011 Stainless Steel heat exchangers new stay material and new spare part numbers
- [2] - TSB-HPW-2021-002 Chamotte stones in insulation removed





No.	Part No.	Qty.	Description	Part Note
1	107143183	1	REGULATOR KNOB C3 NILFISK	
2	1802602	1	CRATER POINT SCREW	
3	101118115	1	WATER REGULATION KIT C3	
4	6100984	1	BUSHING F.ADJUSTMENT SPIN	
5	6101069	1	SEGER CIRCLIP	
6	3001716	1	O-RING 35.1X1.6	
7	6101061	1	PISTONRING	
8	1118580	1	REP.KIT BY-PASS VALVE AUT	
9	101119410	1	GASKET REP.KIT	
10	6100925	1	PISTON F. BY-PASS VALVE	
11	6400143	1	VALVE CONE	
12	2600286	1	SPRING DM - 2,9	
13	3000460	1	O-RING 11.0X2.0 NITRIL 70	
14	3913	1	SCREW M6X12	
15	6100985	1	LOCK WASHER	
16	6100940	1	ADJUSTMENT SCREW F.SAFETY	
17	6100928	1	LOCK NUT	
18	1118512	1	REP.KIT SAFETY VALVE	
19	1602333	1	PLUG 1/8	
20	6101042	1	VALVE COVER	
21	6100996	1	GUIDE PIN	
22	1800465	8	NUT M10 REPLACES 1101240	
23	6100602	1	CLIP	
24	6301392	1	SPACER RING FOR MOTOR-PUM	
25	1821	1	FITTING XGE 6LR1/8	
26	1600444	1	ELBOW	
27	101118178	1	ELBOW MALE/FEMALE	
28	107143088	1	O-RING 18.72X2.62	
29	107143150	1	WATER INLET MPU C3	
30	107143085	1	LOCK PIN	
31	107143143	1	WATER LIMITER XL	
32	8298	2	HOSE CLIP	
33	107143031	1	FUELFLEX HOSE D28/D20 10BAR/20°	
34	11654	1	HOSE CLAMP Ø11.5	
35	106408243	1	HOSE 1/4INCH	
36	1119317	1	REP.KIT FOR VENTING VALVE	
37	6220596	1	VENTING VALVE, COMPL.C3VA	
38	60141	1	HP HOSE	



No.	Part No.	Qty.	Description	Part Note
2	101118190	1	MALE STUD M18X1.5 KIT	
3	101118055	1	MAGNET AND HOUSE FOR	
4	107143121	2	REED SWITCH NO W/CABLE	
5	101118033	4	SCREW M3X6 BRASS DIN	
6	101118308	1	FLOW CONTROL HOUSING FA	
8	1119566	2	REPAIR KIT, NON RETURN VA	
9	6201535	1	SEAT	
10	1119318	1	REP.KIT NON RETURN VALVE	
11	11654	2	HOSE CLAMP Ø11.5	
12	101406100	0.92	HOSE DN 6X3 5M	
13	101117896	1	NON RETURN VALVE W/MAGNET	[1]
14	101118191	1	SEALING KIT FOR MALE STUD	
15	101118230	1	MALE STUD F.NON-RET.VALVE 1/2"-M22X1-KIT	
16	1807932	1	SELF-SEALING WASHER	
17	6101038	1	PISTON F. NON RETURN VALV	
18	107143155	1	PISTON HOUSING 1/2" - M18X1.5	
19	107143171	1	HP HOSE DN10 505 DKL-DKL 90D	[2]
20	107143188	1	PIPE FLOW CONTROL NA6/B5	[3]
19+20	101118322	1	HP HOSE AND CONNECTION PIPE NA6/B5 KIT	

## Part Notes:

- [1] - TSB-PPW-2016-012 MH 4M FA None return valve 101117896 get stocked  
 DE TSB-PPW-2016-012 MH 4M FA Strömungskolben 101117896 blockiert
- [2] - MH5, MH 6P-175/1250, MH 6P-210/1100
- [3] - MH5, MH 6P



No.	Part No.	Qty.	Description	Part Note
1	106403154	1	ERGO 2000 SPRAY GUN W/O LOGO ACC.	[1]
3	106403011	1	TORNADO PLUS 1000 BEND	[2]
4	61369	1	HOSE NOZZLE R/34	
5	101119748	1	TORNADO NOZZLE 0700 1/8N	
6	6101767	1	HOSE NON BLACKENING	[3]
7	1401991	1	GREY HOSE 20MTR FOR POSEI	[4]
	106403196	1	REMOTE CONTROL 2X DETERGENT ACCESSORY	

Part Notes:

- [1] - ERGO 2000 Spray handle
- [2] - TORNADO PLUS lance
- [3] - MH6, MH7without hose reel  
HOSES Overview
- [4] - Accessory - with hose reel (X-tra)  
HOSES Overview

