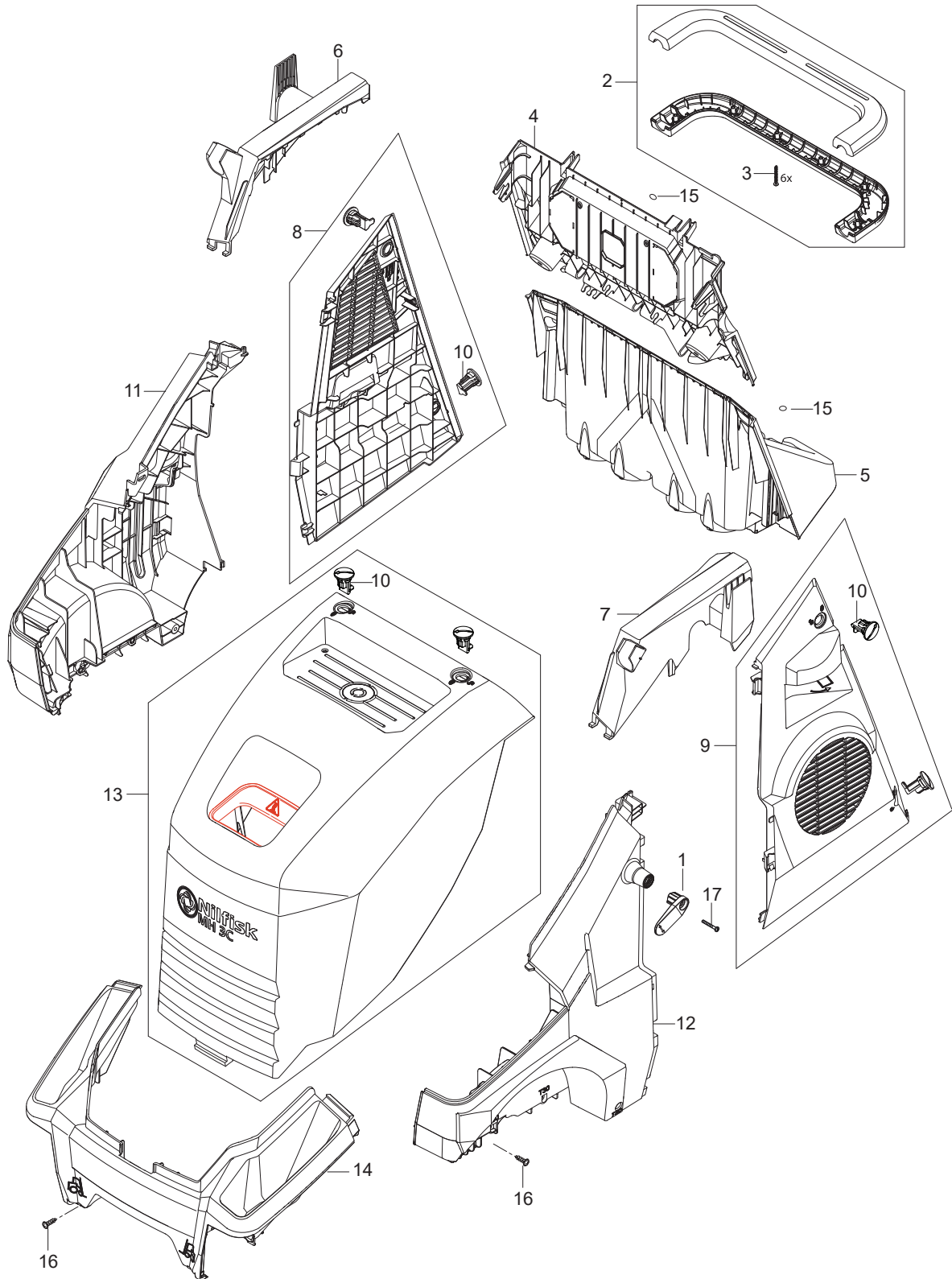


PARTS LIST

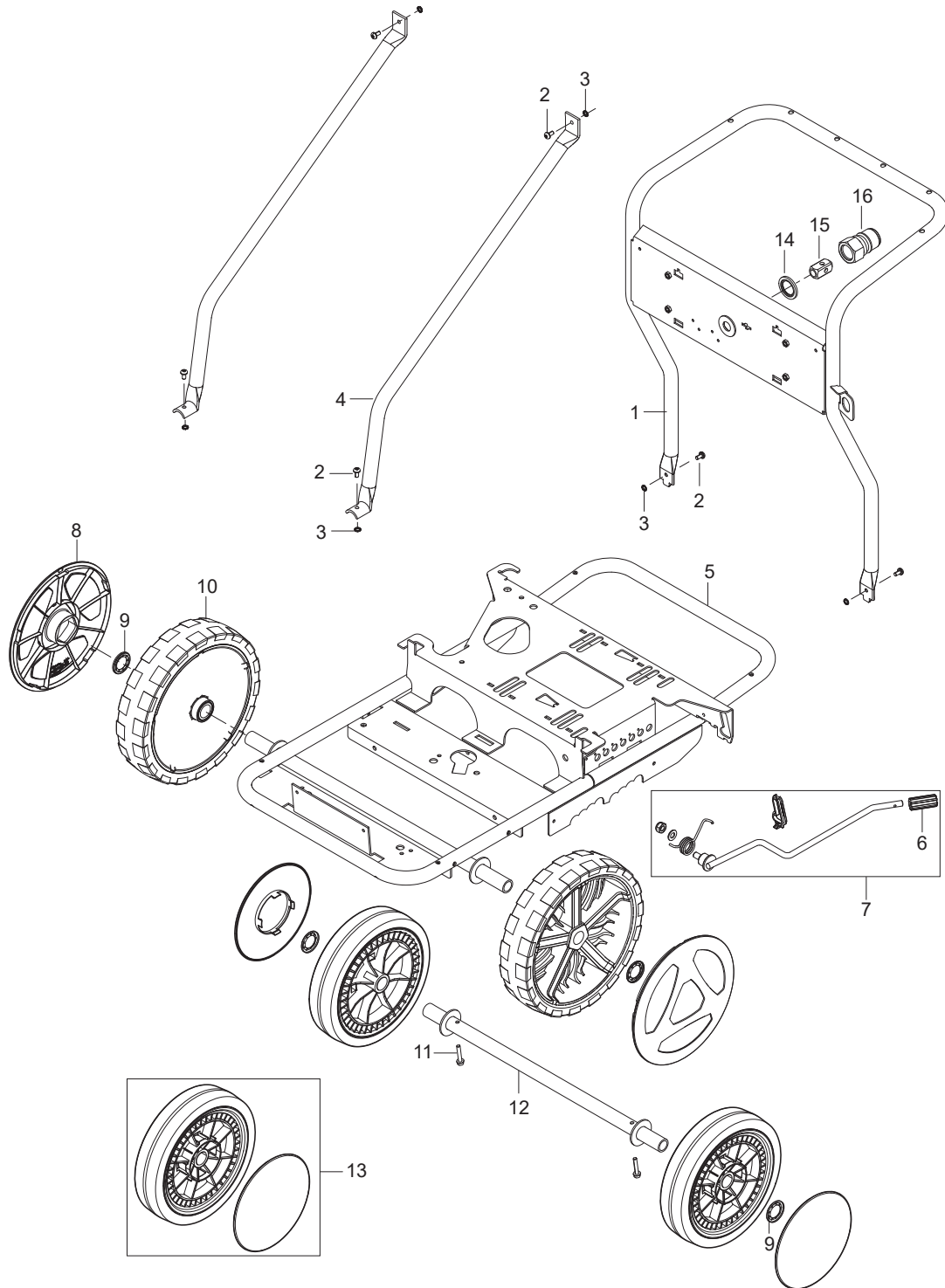
2020.06.06

TABLE OF CONTENTS

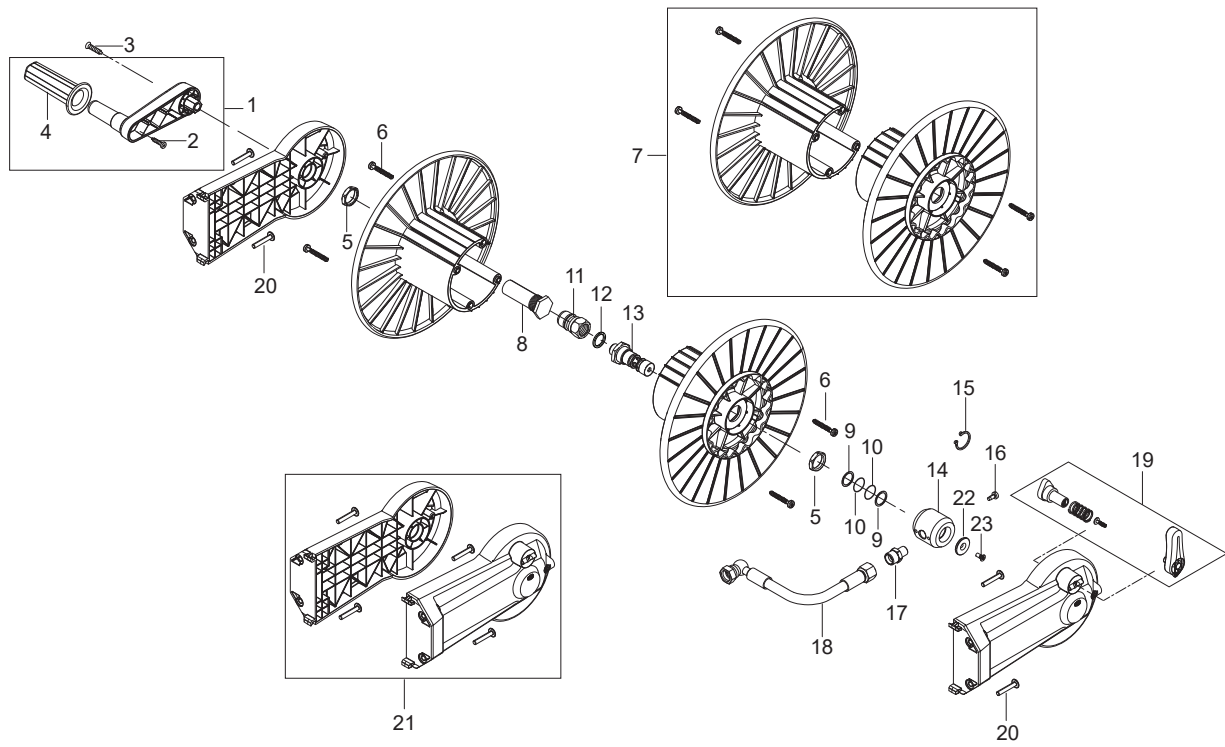
| | |
|------------------------------------|----|
| Cabinet..... | 1 |
| Chassis..... | 3 |
| Hose reel..... | 5 |
| Water break tank..... | 7 |
| Fuel tank..... | 9 |
| Water inlet_PA..... | 11 |
| 1x detergent..... | 13 |
| Anti-scale..... | 15 |
| Electric box..... | 17 |
| Cables and wires..... | 19 |
| Motor with el-box 1ph..... | 21 |
| PUMP_w_easy start_wh_injector..... | 23 |
| Flow control PA..... | 26 |
| Fan..... | 28 |
| Burner unit..... | 30 |
| Boiler b2..... | 32 |



| No. | Part No. | Qty. | Description | Part Note |
|-----|-----------|------|-----------------------------------|-----------|
| 1 | 107143025 | 1 | CABLE HOOK CLAMP BLUE | |
| 2 | 101118192 | 1 | HANDLE KIT | |
| 3 | 909100148 | 6 | SCREW K40X30 WN 1452 | |
| 4 | 107143013 | 1 | REAR END TOP | |
| 5 | 107143014 | 1 | REAR END BOTTOM | |
| 6 | 107143021 | 1 | COVERING FOR HANDLE RIGHT | |
| 7 | 107143022 | 1 | COVERING FOR HANDLE LEFT | |
| 8 | 107143024 | 1 | DOOR W/LOCKS MPU NA4 RIGHT | |
| 9 | 107143019 | 1 | DOOR LEFT W/LOCKS | |
| 10 | 301001261 | 6 | LOCKING BOLT Ø29X35 | |
| 11 | 107143012 | 1 | SIDE BUMPER SMALL RIGHT | |
| 12 | 107143011 | 1 | SIDE BUMPER SMALL LEFT | |
| 13 | 101118286 | 1 | CABINET MH 3C NILFISK KIT | |
| 14 | 107143015 | 1 | FRONT BUMPER | |
| 15 | 107143009 | 6 | BLIND PLUG D16.5 FOR T30 BLACK PE | |
| 16 | 107143018 | 6 | SCREW M6X16 | |
| 17 | 107141838 | 11 | SCREW K50X18 WN1451 | |



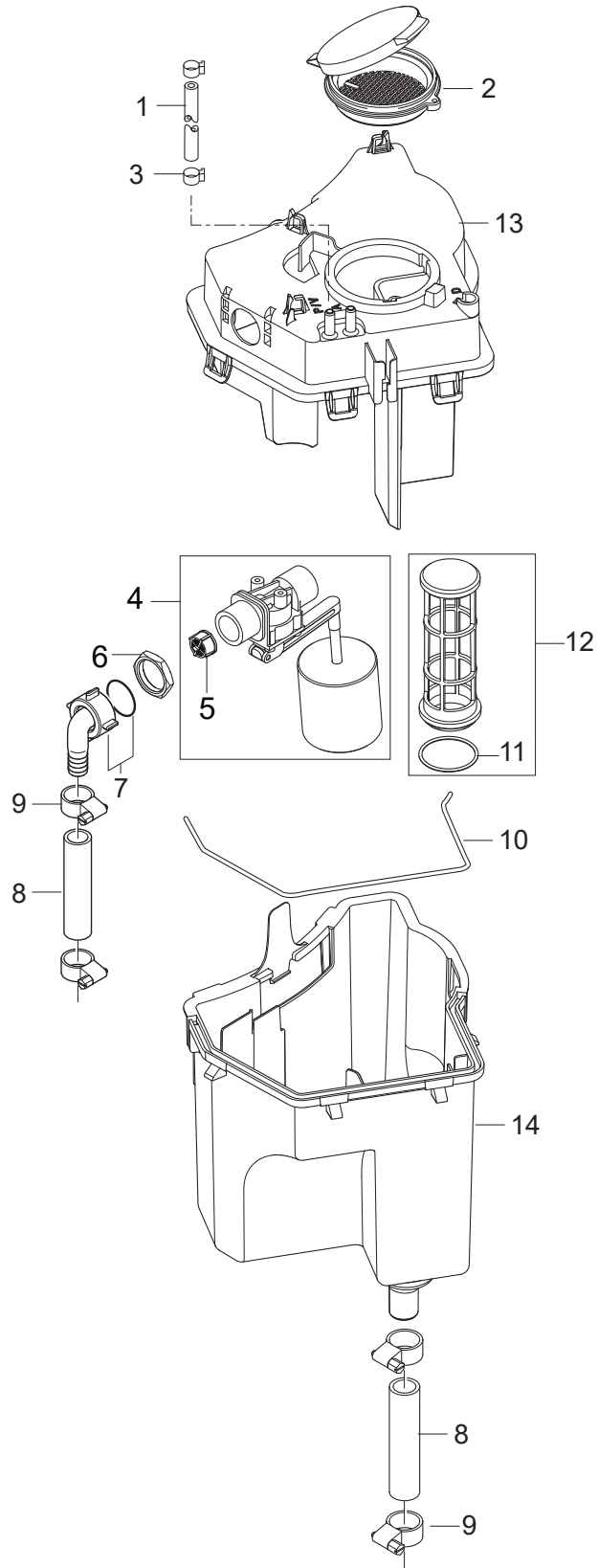
| No. | Part No. | Qty. | Description | Part Note |
|-----|-----------|------|---------------------------------------|-----------|
| 1 | 31001031 | 1 | FRAME HANDLE | |
| 2 | 107143018 | 6 | SCREW M6X16 | |
| 3 | 107143146 | 6 | WASHER SERRATED M6 | |
| 4 | 31001032 | 2 | HANDLE STIFFENER SHORT | |
| 5 | 31001033 | 1 | FRAME SHORT | |
| 6 | 107143028 | 1 | BRAKE KNOB | |
| 7 | 101118180 | 1 | BRAKE ARM SHORT KIT | |
| 8 | 107145780 | 2 | WHEEL CAP FOR WHEEL Ø300X65 - NILFISK | |
| 9 | 46363 | 4 | CLAMPING RING DIA 25 | |
| 10 | 107145637 | 2 | WHEEL D300X65 | |
| 11 | 107143027 | 2 | SCREW M6X35 SW10 DIN7500D FZB | |
| 12 | 31001034 | 1 | WHEEL AXLE REAR | |
| 13 | 107143304 | 2 | WHEEL D250 HEAVY LOAD W/CAP | |
| 14 | 1801075 | 1 | PACKING RING | |
| 15 | 107143066 | 1 | PISTON | |
| 16 | 1600493 | 1 | Nippel F. Q-COUP. 3/8 | |



| No. | Part No. | Qty. | Description | Part Note |
|-----|-----------|------|--|-----------|
| 0 | 106403184 | 1 | HOSE REEL NILFISK | |
| 1 | 101118215 | 1 | HANDLE FOR HOSE REEL NILFISK | |
| 2 | 107141838 | 2 | SCREW K50X18 WN1451 | |
| 3 | 107141673 | 1 | SCREW M6X45 ISO 7380 BLACK TORX | |
| 4 | 107143007 | 1 | ROTATING HANDLE FOR HOSE REEL NILFISK | |
| 5 | 62696 | 2 | HEXAGON NUT M24X1.5X6 | |
| 6 | 909100153 | 4 | SCREW 6X40 | |
| 7 | 101118209 | 1 | HOSE REEL SIDE KIT | |
| 8 | 107141675 | 1 | AXLE FOR HOSE REEL | |
| 9 | 107143017 | 2 | BACK-UP RING | |
| 10 | 19620 | 2 | O'RING HOSE REEL P5 | |
| 11 | 1600493 | 1 | Nippel F. Q-COUPL. 3/8 | |
| 12 | 1801075 | 1 | PACKING RING | |
| 13 | 107143123 | 1 | SWIVEL FOR HOSE REEL | |
| 14 | 101118317 | 1 | BEARING BUSH KIT | [1] |
| 15 | 1802057 | 1 | CIRCLIP EXTERNAL 20X1.2 | [2] |
| 16 | 107141690 | 1 | SCREW M5X12 DIN7985 | |
| 17 | 54590 | 2 | FITTING NEPTUNE 5/7 | |
| 18 | 107143114 | 1 | CONNECTION HOSE DN8 FOR HOSE REEL | |
| 19 | 101118212 | 1 | 020KE HANDLE FOR HOSE REEL NILFISK KIT | |
| 20 | 107143010 | 4 | SCREW M6X35 | |
| 21 | 101118208 | 1 | HOSE REEL ADAPTOR KIT | |
| 22 | 107143125 | 1 | WASHER 25 FOR COUNTERSUNK M5 | [3] |
| 23 | 107143124 | 1 | COUNTERSUNK M5X12 ISO 14581 | [3] |
| | | 1 | Mounting instr. for Hose Reel Nilfisk | [4] |

Part Notes:

- [1] - TSB-PPW-2019-005 MH Hose Reel Screw 107143124 can break
DE TSB-PPW-2019-005 MH Schlauchtrommel Schraube 107143124 kann brechen
- [2] - Up to 07.2016
- [3] - TSB-PPW-2016-018 MH 4M Hose Reel Circlip
- [4] - Mounting instructions MH Nilfisk hose reel



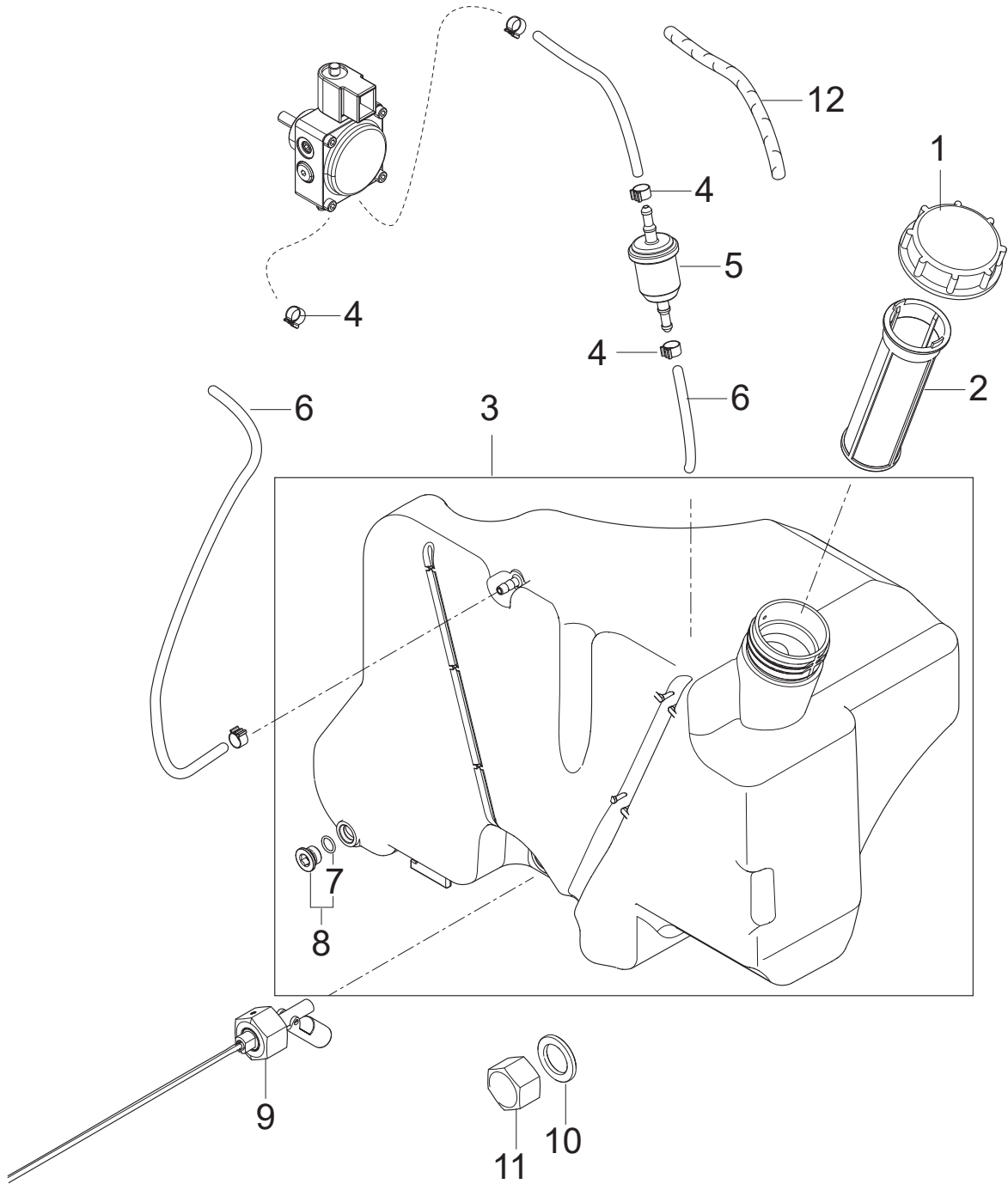
Water break tank

MH 3C-145/600 PA

2017.12.18

2017.12.18

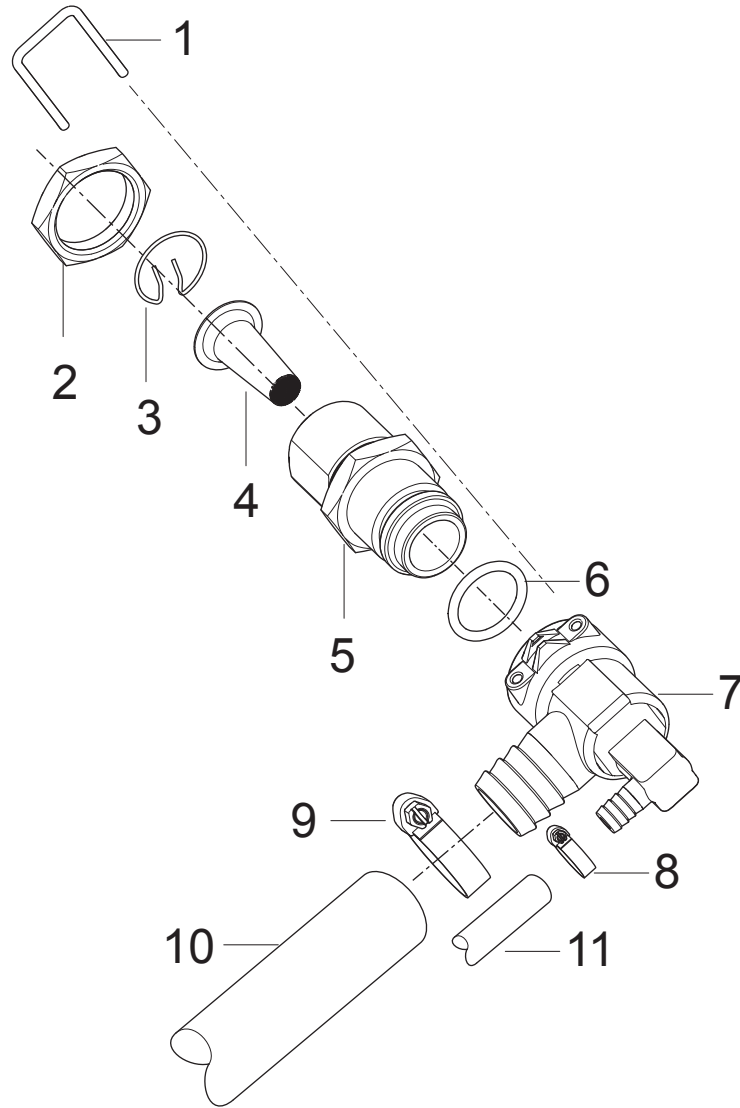
| No. | Part No. | Qty. | Description | Part Note |
|-----|-----------|------|--|-----------|
| 1 | 106408243 | 1 | HOSE 1/4INCH | |
| 2 | 301000561 | 1 | TANK COVER DETERGENT | |
| 3 | 301001133 | 2 | HOSE CLAMP 10/7 | |
| 4 | 101117784 | 1 | FLOAT VALVE | |
| 5 | 34218 | 1 | FILTER FOR FLOAT VALVE KU | |
| 6 | 1800341 | 1 | LOCK NUT (1102760,1500070 | |
| 7 | 107143084 | 1 | HOSE COUPLING 90° 20X3/4 PP W/NUT/GASKET | |
| 8 | 107143031 | 1 | FUELFLEX HOSE D28/D20 10BAR/20° | |
| 9 | 8298 | 4 | HOSE CLIP | |
| 10 | 101406054 | 1 | SPONGE RUBBER Ø 4 1M | |
| 11 | 107143032 | 1 | O-RING D30X2 SHORE70 NBR BLACK | |
| 12 | 106403194 | 1 | FILTER FOR WATER BREAK TANK ACCESSORY | |
| 13 | 107143060 | 1 | COVER FOR WATER TANK | |
| 14 | 107143030 | 1 | WATER BREAK TANK | |



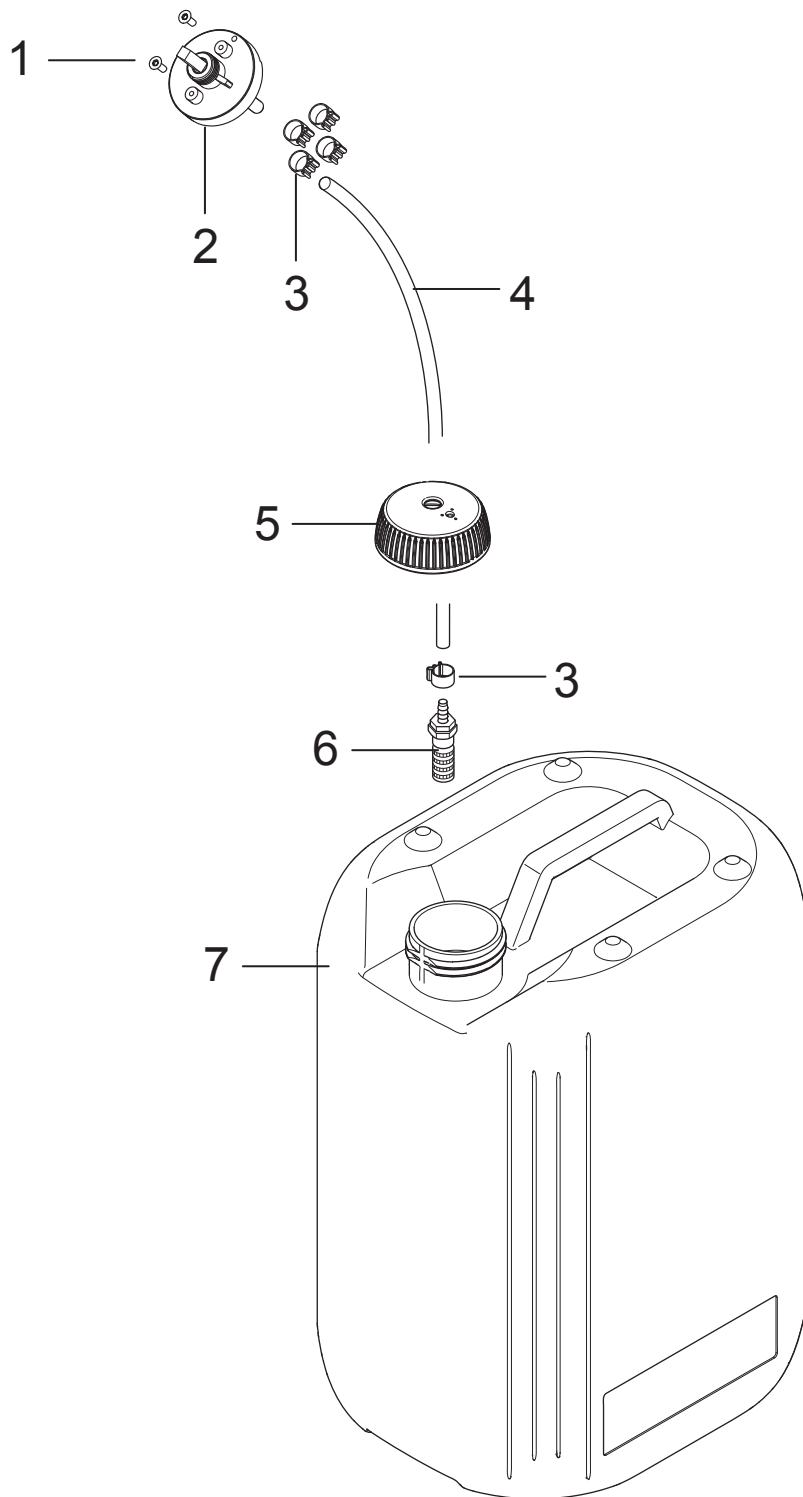
| No. | Part No. | Qty. | Description | Part Note |
|-----|-----------|------|---------------------------|-----------|
| 1 | 107143034 | 1 | FUEL TANK LID - RED | |
| 2 | 1604222 | 1 | FILLING SIEVE | |
| 3 | 107143035 | 1 | FUEL TANK 15L | |
| 4 | 301001133 | 6 | HOSE CLAMP 10/7 | |
| 5 | 301002926 | 1 | FILTER | |
| 6 | 106408244 | 1 | HOSE D6X2.5 - 5 METERS | |
| 7 | 3000072 | 1 | O-RING 10.1X1.6 NITRIL 70 | |
| 8 | 6180906 | 1 | PLUG WITH O-RING | |
| 9 | 107143033 | 1 | LEVEL SENSOR FUEL TANK | |
| 10 | 3001237 | 1 | GASKET Ø24.5XØ16X3 | [1] |
| 11 | 107143113 | 1 | END CAP 3/4 | [1] |
| 12 | 107143164 | 1 | BEND PROTECTOR | [2] |

Part Notes:

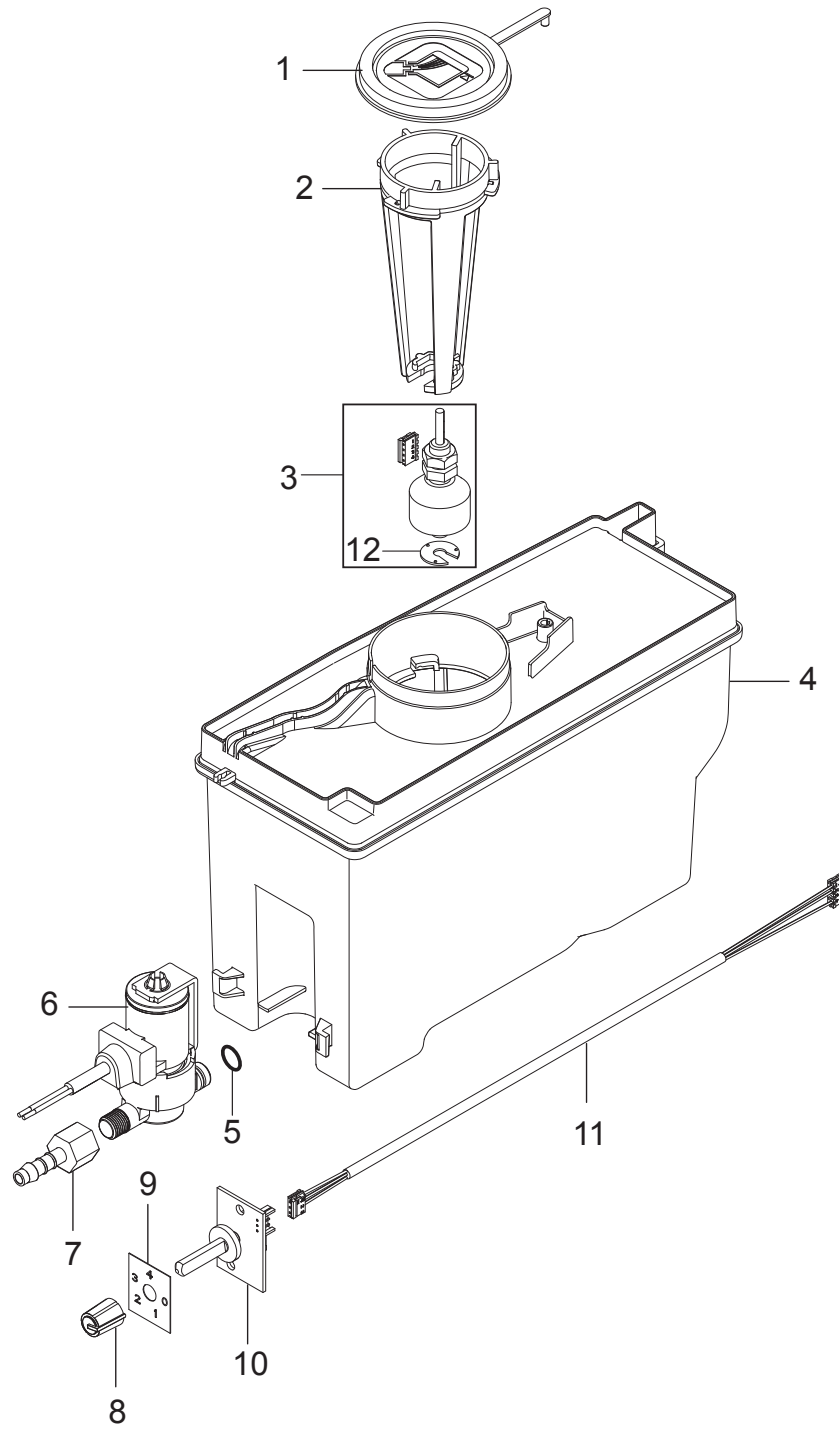
- [1] - MH3/FAL
- [2] - DE TSB-PPW-2017-006 MH 3, 4, 5, 6, 7 Kraftstoffschlauch kann durch zu st...
TSB-PPW-2017-006 MH 3, 4, 5, 6, 7 Fuel hose can bend and block for fuel



| No. | Part No. | Qty. | Description | Part Note |
|-----|-----------|------|---------------------------------|-----------|
| 1 | 107143085 | 2 | LOCK PIN | |
| 2 | 1800341 | 1 | LOCK NUT (1102760,1500070 | |
| 3 | 107141667 | 1 | LOCK WASHER | |
| 4 | 101117926 | 1 | FILTER | |
| 5 | 107143086 | 1 | FITTING FOR WATER INLET | |
| 6 | 107143088 | 2 | O-RING 18.72X2.62 | |
| 7 | 107143089 | 1 | WATER INLET FITTING FOR PA | |
| 8 | 11654 | 1 | HOSE CLAMP Ø11.5 | |
| 9 | 8298 | 1 | HOSE CLIP | |
| 10 | 107143031 | 1 | FUELFLEX HOSE D28/D20 10BAR/20° | |
| 11 | 106408243 | 1 | HOSE 1/4INCH | |



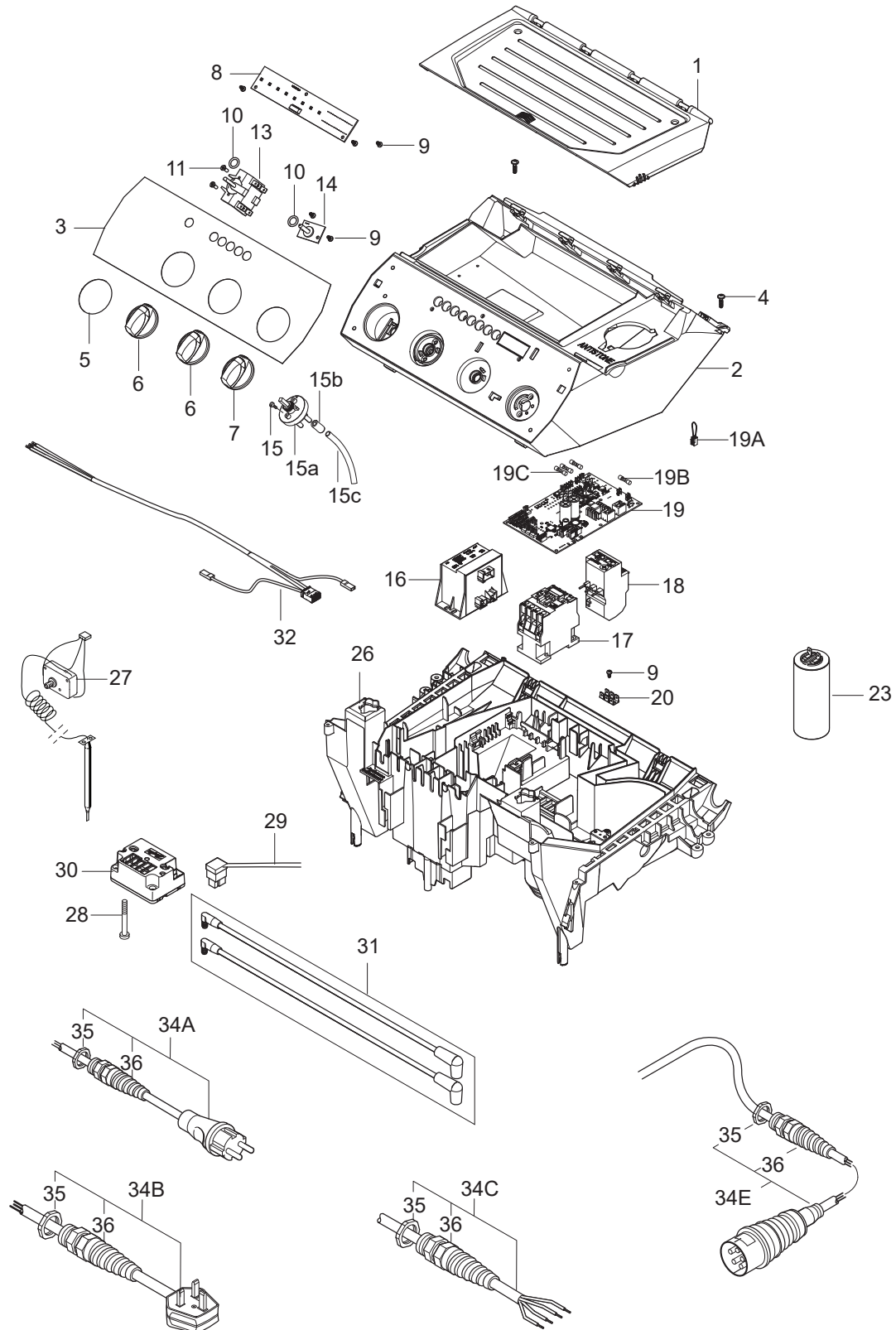
| No. | Part No. | Qty. | Description | Part Note |
|-----|-----------|------|---------------------------|-----------|
| 1 | 1814730 | 2 | SCREW 35X10B W1423 | |
| 2 | 301001000 | 1 | valve dia 51x70 | |
| 3 | 301001133 | 8 | HOSE CLAMP 10/7 | |
| 4 | 106408243 | 1 | HOSE 1/4INCH | |
| 5 | 107141664 | 2 | CAP FOR DETERGENT TANK | |
| 6 | 107145440 | 2 | STRAINER VALVE COMPL. KIT | |
| 7 | 80518 | 1 | CANISTER 10 L | |



| No. | Part No. | Qty. | Description | Part Note |
|-----|-----------|------|-----------------------------------|-----------|
| 1 | 45646 | 1 | COVER | |
| 2 | 107143040 | 1 | LEVELSENSOR BRACKET FOR ANTISCALE | |
| 3 | 101118214 | 1 | FLOAT SWITCH KIT | |
| 4 | 107143041 | 1 | ANTISCALE TANK CPL. | |
| 5 | 31001036 | 1 | O-RING 6X2 NBR 70SH | |
| 6 | 107143037 | 1 | DOSING VALVE RPE 24VAC | |
| 7 | 107143036 | 1 | HOSE FITTING D6X1/8 PA | |
| 8 | 107318222 | 1 | PUSH-ON KNOB 11MM/6MMD/WH | |
| 9 | 107143042 | 1 | LABEL FOR ANTISCALE | |
| 10 | 101117730 | 1 | POTENTIOMETER | |
| 11 | 107143038 | 1 | CABLE FOR ADJUSTMENT ANTI SCALE | |
| 12 | 107142593 | 1 | HOLDING WASHER PE | [1] |

Part Notes:

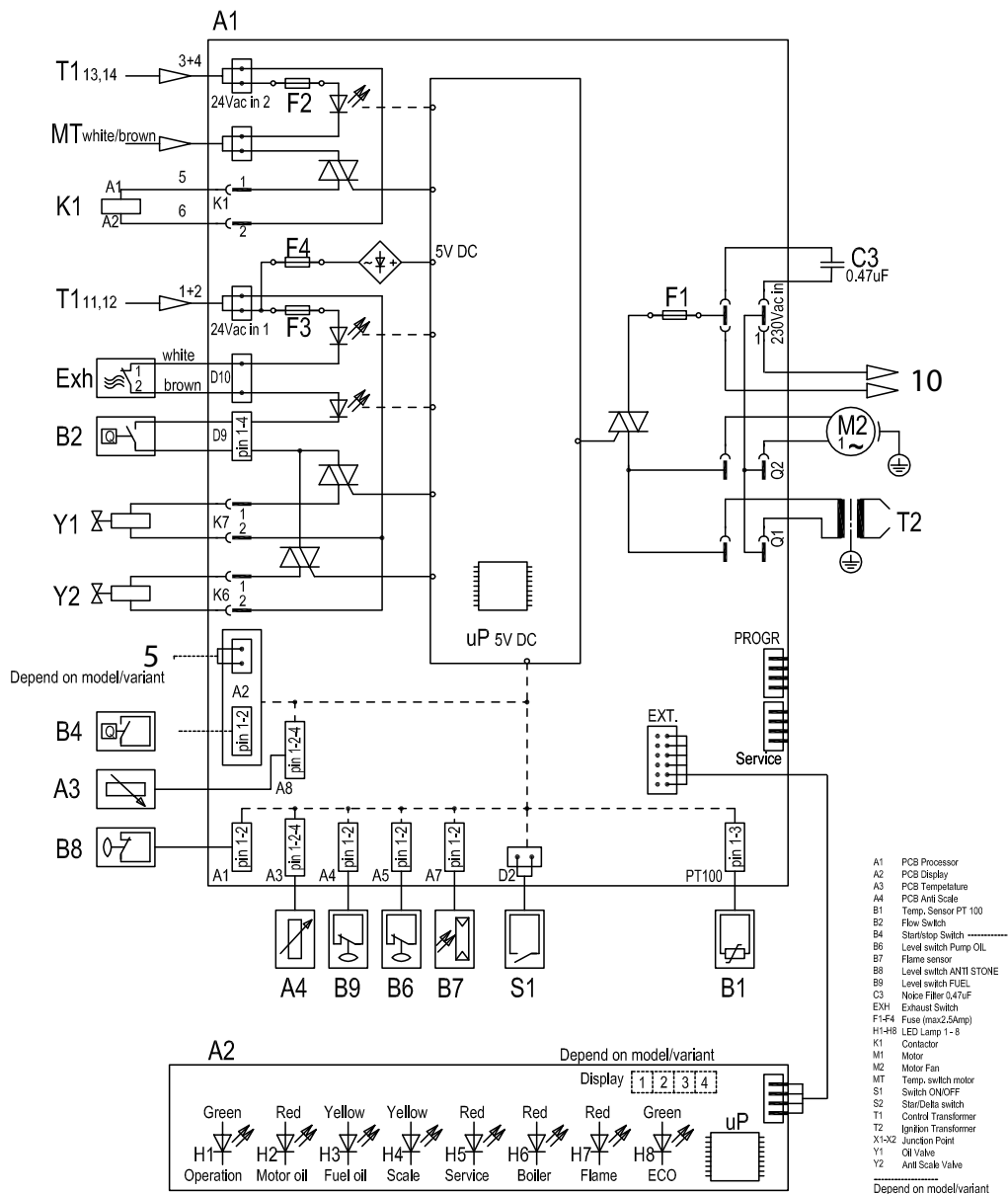
- [1] - TSB-PPW-2016-017 Locking ring for oil level switch falling off



| No. | Part No. | Qty. | Description | Part Note |
|-----|-----------|------|--|-----------|
| 1 | 107143046 | 1 | TOOL BOX LID | |
| 2 | 107143045 | 1 | E-BOX TOP | |
| 3 | 107143180 | 1 | LABEL CONTR.PANEL LOW SPEC W/STEAM NIL | |
| 4 | 107141838 | 2 | SCREW K50X18 WN1451 | |
| 5 | 107143050 | 1 | COVER FOR E-BOX (MANO-HOLE) | |
| 6 | 909100204 | 2 | ROTARY KNOB 06X5 | |
| 7 | 909100214 | 1 | ROTARY KNOB | |
| 8 | 107143044 | 1 | PCBA UI LED | |
| 9 | 909100046 | 5 | SCREW 4X8 WN 1412 STZN | |
| 10 | 9868 | 2 | O-RING 10.2X2.5 NBR 70 | |
| 11 | 18274 | 2 | COUNTERS UNK SCREW M4X12 | |
| 13 | 28877 | 1 | MAIN SWITCH NEPTUNE 5/7 | |
| 14 | 101117730 | 1 | POTENTIOMETER | |
| 15 | 1814730 | 2 | SCREW 35X10B W1423 | |
| 15a | 301001000 | 1 | valve dia 51x70 | |
| 15b | 301001906 | 1 | CLOSING CAP D12X21.5 | |
| 15c | 106408243 | 1 | HOSE 1/4INCH | |
| 16 | 107143051 | 1 | POWER TRANSFORMER 230/400V 2X24V | |
| 16 | 107143064 | 1 | POWER TRANSFORMER 220-240V/440-460V | [1] |
| 17 | 103822306 | 1 | CONTACTOR CJX2-D18-B7 24V | |
| 17 | 103822313 | 1 | CONTACTOR 12-25A | [1] |
| 18 | 103822327 | 1 | THERMAL RELAY 12-18AMP | |
| 19 | 107143151 | 1 | PCBA MH | [2] |
| 19A | 101221031 | 1 | JUMPER F. SERVICE TIME RESET | |
| 19B | 31001190 | 1 | FUSE 6.3A 5x20 MM 250V | |
| 19C | 15846 | 1 | FUSE T 2.5 A | |
| 20 | 107307326 | 1 | EARTH CONNECTOR 6 PIN | |
| 23 | 301002320 | 1 | CAPACITOR 70ÁF | |
| 26 | 107143062 | 1 | E-BOX BOTTOM | |
| 27 | 101117723 | 1 | EXH LIMIT SWITCH | |
| 28 | 909100149 | 2 | SCREW K50X50 T25 WN1453 | |
| 29 | 107143098 | 1 | PRIMARY CABLE FOR IGNITION COIL | |
| 30 | 101117759 | 1 | IGNITION TRANSF 220-240 | [3] |
| 31 | 101118220 | 1 | 2 X IGNITION CORDS KIT | |
| 32 | 107143056 | 1 | CABLE FOR POWER TRAF0 PRIM 230V | |
| 32 | 107143063 | 1 | CABLE FOR POWER TRANSFORMER PRIM 400V | |
| 32 | 107143072 | 1 | CABLE F. POWER TRANSFORMER PRIM 230/400 | |
| 34A | 101117809 | 1 | POWER C.H07RN 3G1.5 CEE7 GDN 6.3X0.8 KIT | [4] |
| 34B | 101117812 | 1 | POWER C.H07RN 3G1.5 BS13 GDN 6.3X0.8 KIT | [5] |
| 34C | 101118182 | 1 | POWER CORD H07RN 4G2.5X6M GND 6.3X0.8 NO | [6] |
| 34E | 101118222 | 1 | POWER CORD H07RN 4G1,5 CEE5 | [7] |
| 35 | 909100019 | 1 | HEX, NUT | |
| 36 | 909100043 | 1 | CORD, FIXING | |

Part Notes:

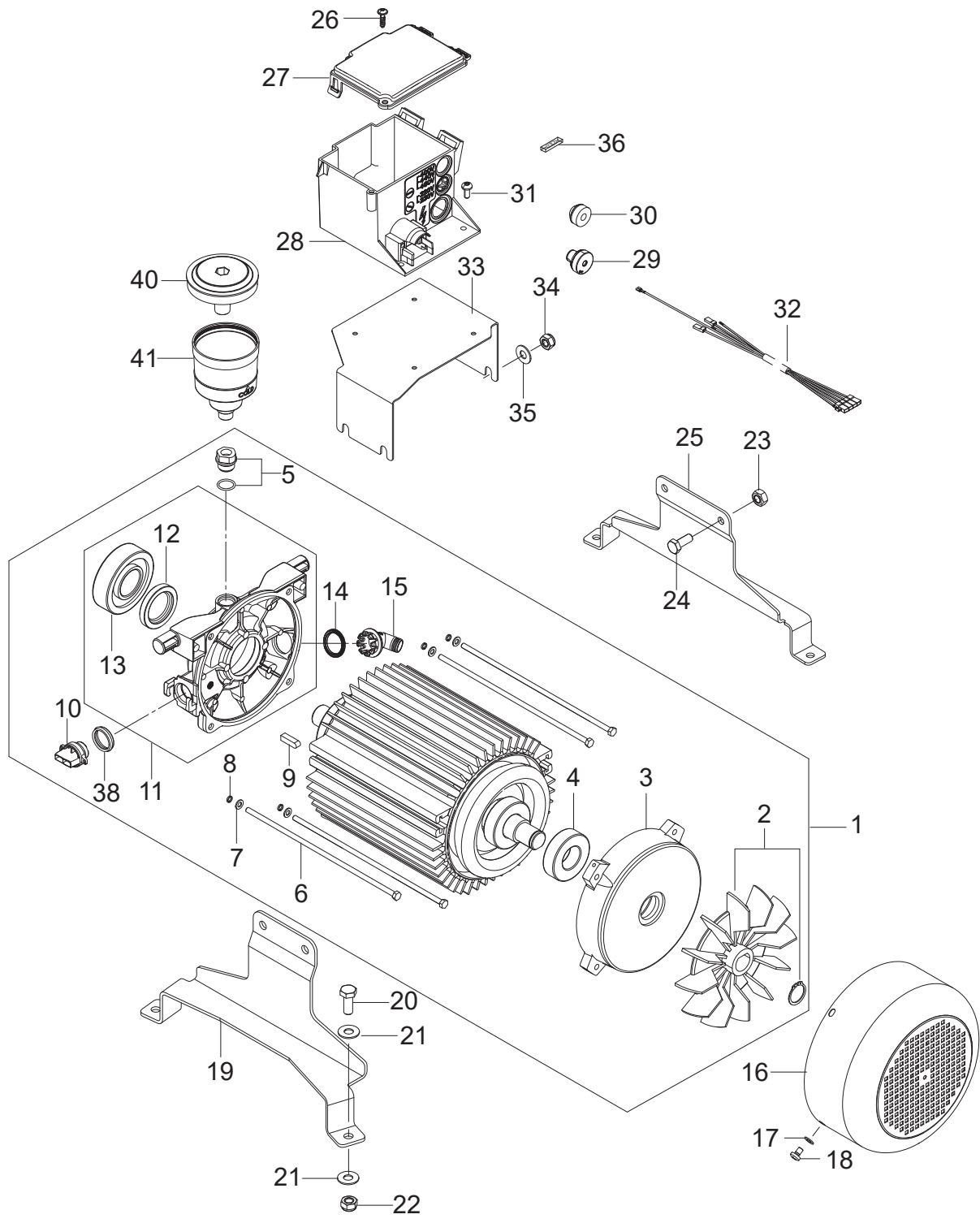
- [1] - 230-400/3/50 NO, 220-440/3/60 EXPT
- [2] - TSB-PPW-2018-014 MH models Software update
- [3] - TSB-PPW-2018-004 Boiler cannot start - no ignition
FR TSB-PPW-2018-004 Le bruleur ne démarre plus
DE TSB-PPW-2018-004 Brenner startet nicht - keine Zündung
- [4] - EU 1 phase.
- [5] - UK 1 phase.
- [6] - EXP+NO+EU
- [7] - 230-400/3/50-60 (Star - Delta)



| No. | Part No. | Qty. | Description | Part Note |
|-----|-----------|------|--|-----------|
| T1 | 107143052 | 2 | CABLE FOR POWER TRANSFORMER SEC 6X0.75 | |
| MT | 107143070 | 1 | CABLE FOR MT | [1] |
| MT | 107143057 | 1 | CABLE FOR RELAY | [2] |
| MT | 107143081 | 1 | CABLE FOR MT MH3 | [3] |
| K1 | 107143052 | 1 | CABLE FOR POWER TRANSFORMER SEC 6X0.75 | |
| Exh | 107143055 | 1 | CABLE FOR HOT WATER MODE AND EXH. SWITCH | |
| B2 | 107143121 | 2 | REED SWITCH NO W/CABLE | |
| Y1 | 107143095 | 1 | CABLE FOR SOLENOID VALVE 2X0.5 | |
| Y2 | 107143037 | 1 | DOSING VALVE RPE 24VAC | |
| 5 | 31001037 | 1 | SWITCHBOX ASSEMBLED WITH CABLE | [4] |
| 5 | 101118188 | 1 | MICRO-SWITCH KIT | [5] |
| B4 | 107143121 | 2 | REED SWITCH NO W/CABLE | [6] |
| A3 | 107143043 | 1 | CABLE FOR TEMPERATURE ADJUSTMENT | |
| B8 | 101118214 | 1 | FLOAT SWITCH KIT | |
| A4 | 107143038 | 1 | CABLE FOR ADJUSTMENT ANTI SCALE | |
| B9 | 107143033 | 1 | LEVEL SENSOR FUEL TANK | [7] |
| B9 | 107143059 | 1 | EHR-4 JUMPER | [8] |
| B6 | 101118173 | 1 | OIL SENSOR W/PLUG KIT | [9] |
| B6 | 107143059 | 1 | EHR-4 JUMPER | [8] |
| B7 | 107143100 | 1 | FLAME SENSOR WITH CABLE | |
| S1 | 107143055 | 1 | CABLE FOR HOT WATER MODE AND EXH. SWITCH | |
| B1 | 107143083 | 1 | TEMPERATUR SENSOR PT100 | |
| A1 | 107143053 | 1 | CABLE FOR UI | |
| A2 | 107143098 | 1 | PRIMARY CABLE FOR IGNITION COIL | |
| M2 | 107143096 | 1 | MOTOR BURNER - | [10] |
| M2 | 107143097 | 1 | MOTOR BURNER | [11] |
| 10 | 107143054 | 1 | WIRE BLACK L=400 | [12] |
| 10 | 107143058 | 1 | WIRE 1.5MM2 BLACK | [2] |
| C3 | 101117867 | 1 | NOISE FILTER KIT | |

Part Notes:

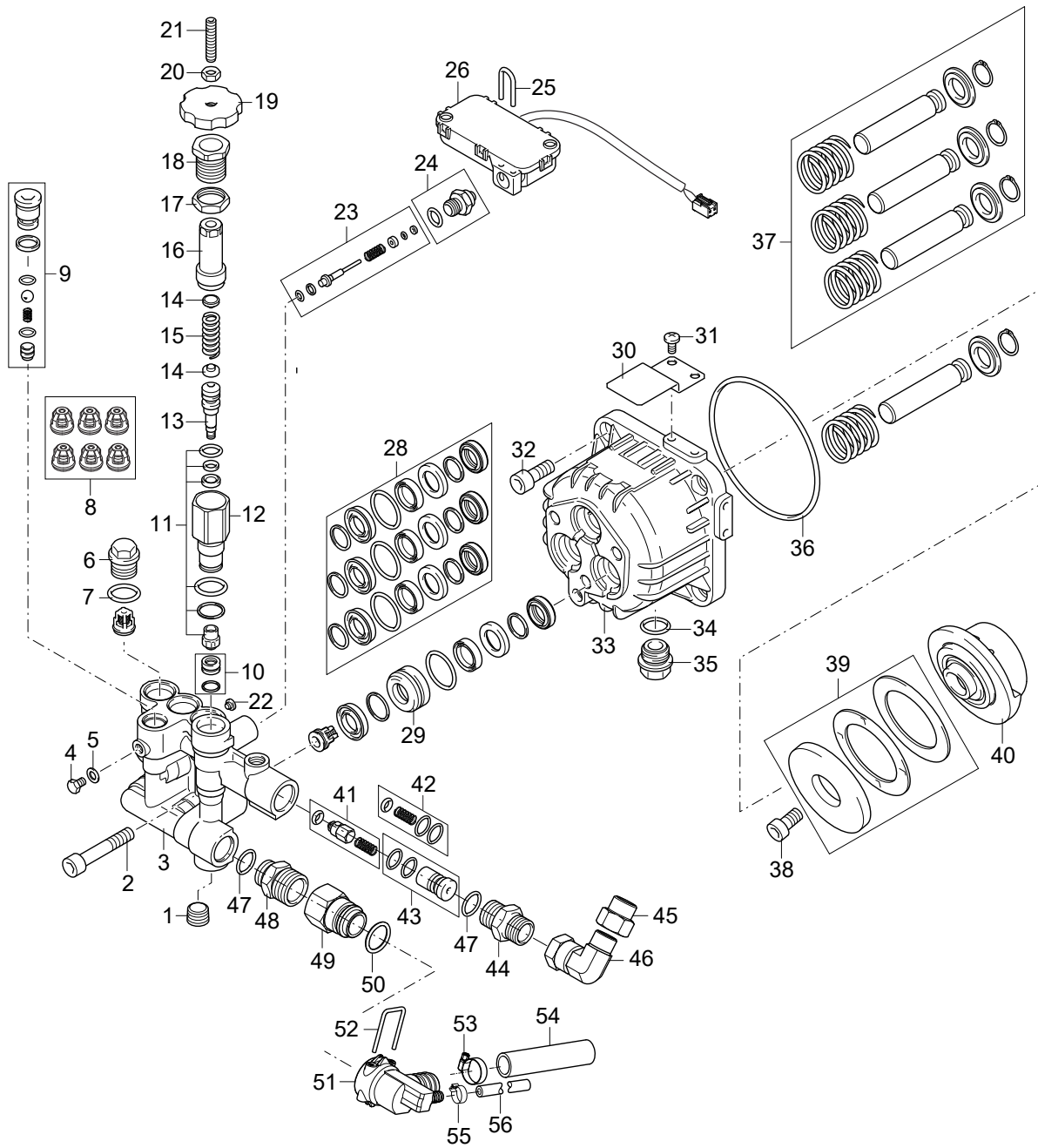
- [1] - MH4
 [2] - MH3 1~
 [3] - MH3 3~
 [4] - MH3
 [5] - NA5 PA
 [6] - NA5 FA
 [7] - MH4+5+6+7
 [8] - MH3+MH4FAL
 [9] - MH4+5+6+7
 MI 107309166 JST Connector
 [10] - All except MH4 JP+ MH4M-200 60Hz
 [11] - MH4 JP+ MH4M-200 60Hz
 [12] - All except MH3 1~



| No. | Part No. | Qty. | Description | Part Note |
|-----|-----------|------|--|-----------|
| 1 | 31001214 | 1 | MOTOR NA3 - 1.45KW/120V/60HZ/1PH | [1] |
| 1 | 31001003 | 1 | MOTOR NA3 - 2.5KW/230V/50HZ/1PH | [2] |
| 1 | 31001003 | 1 | MOTOR NA3 - 2.5KW/230V/50HZ/1PH | [3] |
| 2 | 107145038 | 1 | FAN INCL. LOCK RING | |
| 3 | 107145037 | 1 | N-BEARING COVER | |
| 4 | 301003080 | 1 | BEARING 6205 ZZ | |
| 5 | 31001038 | 1 | PLUG FOR OIL DRAIN W/O O-RING | |
| 6 | 31000916 | 4 | STAY BOLT M5X210 | |
| 6 | 31000917 | 4 | STAY BOLT M5X230 | |
| 7 | 31000918 | 4 | WASHER D5.5XD10 GB/T97.1 ISO7089 | |
| 8 | 31000919 | 4 | LOCK RING D5.1XD7.7 GB/T93 DIN127 | |
| 9 | 101814798 | 1 | KEY 6 X 6 X 20 MM FOR | |
| 10 | 31001039 | 1 | OIL PLUG FOR NA3 AND NA4 | |
| 11 | 31000920 | 1 | D-BEARING COVER P4 INCL SEAL AND BEARING | |
| 12 | 301003078 | 1 | OIL SEAL | |
| 13 | 31001028 | 1 | BEARING 7306 | |
| 14 | 31000921 | 1 | SEAL ID 23.4XOD 31 D 2/3.5 | |
| 15 | 31000922 | 1 | CABLE GLAND 23.5 SNAPON 110 DEG | |
| 16 | 107307308 | 1 | FAN COVER FOR NA3/NA4 | |
| 17 | 4021 | 4 | SERRATED LOCK WASHER A4 | |
| 18 | 1804160 | 4 | SCREW M4X8 8.8 ISO4017 | |
| 19 | 107143173 | 1 | BRACKET LEFT MH-3C | |
| 20 | 2753 | 4 | HEX. SCREW M8X20 ISO | |
| 21 | 1800796 | 4 | WASHER M8 | |
| 22 | 1800515 | 4 | LOCK NUT M8 (4100190) | |
| 23 | 1800515 | 4 | LOCK NUT M8 (4100190) | |
| 24 | 2753 | 4 | HEX. SCREW M8X20 ISO | |
| 25 | 107143174 | 1 | BRACKET RIGHT MH-3C | |
| 26 | 107141838 | 7 | SCREW K50X18 WN1451 | |
| 27 | 301000782 | 1 | COVER ELEC.BOX 128,2X | |
| 28 | 107143074 | 1 | E-BOX | |
| 29 | 3803772 | 1 | CABLE GROMMET TET 7-10C | |
| 30 | 3803764 | 1 | RUBBER SEAL TET 5-7C | |
| 31 | 107141690 | 4 | SCREW M5X12 DIN7985 | |
| 32 | 107143079 | 1 | MOTOR CABLE 5G1.5 FOR 1~ MH3 | |
| 32 | 107143178 | 1 | MOTOR CABLE 5G2.5 1~ MH3C US | |
| 33 | 107143175 | 1 | BRACKET E-BOX MH-3C | |
| 34 | 1800515 | 4 | LOCK NUT M8 (4100190) | |
| 35 | 1800796 | 4 | WASHER M8 | |
| 36 | 107143078 | 1 | JUNCTION 6.3X0.8 | |
| 38 | 107142589 | 1 | SEAL ID 16.7XOD 21.2XW 5 NBR 70 SHORE A | |
| 40 | 301000615 | 1 | OIL TANK COVER | |
| 41 | 301000614 | 1 | OIL TANK | |

Part Notes:

- [1] - US
 - [2] - UK, wooble disc 12°
 - [3] - wooble disc 10°
- EU + Gerni

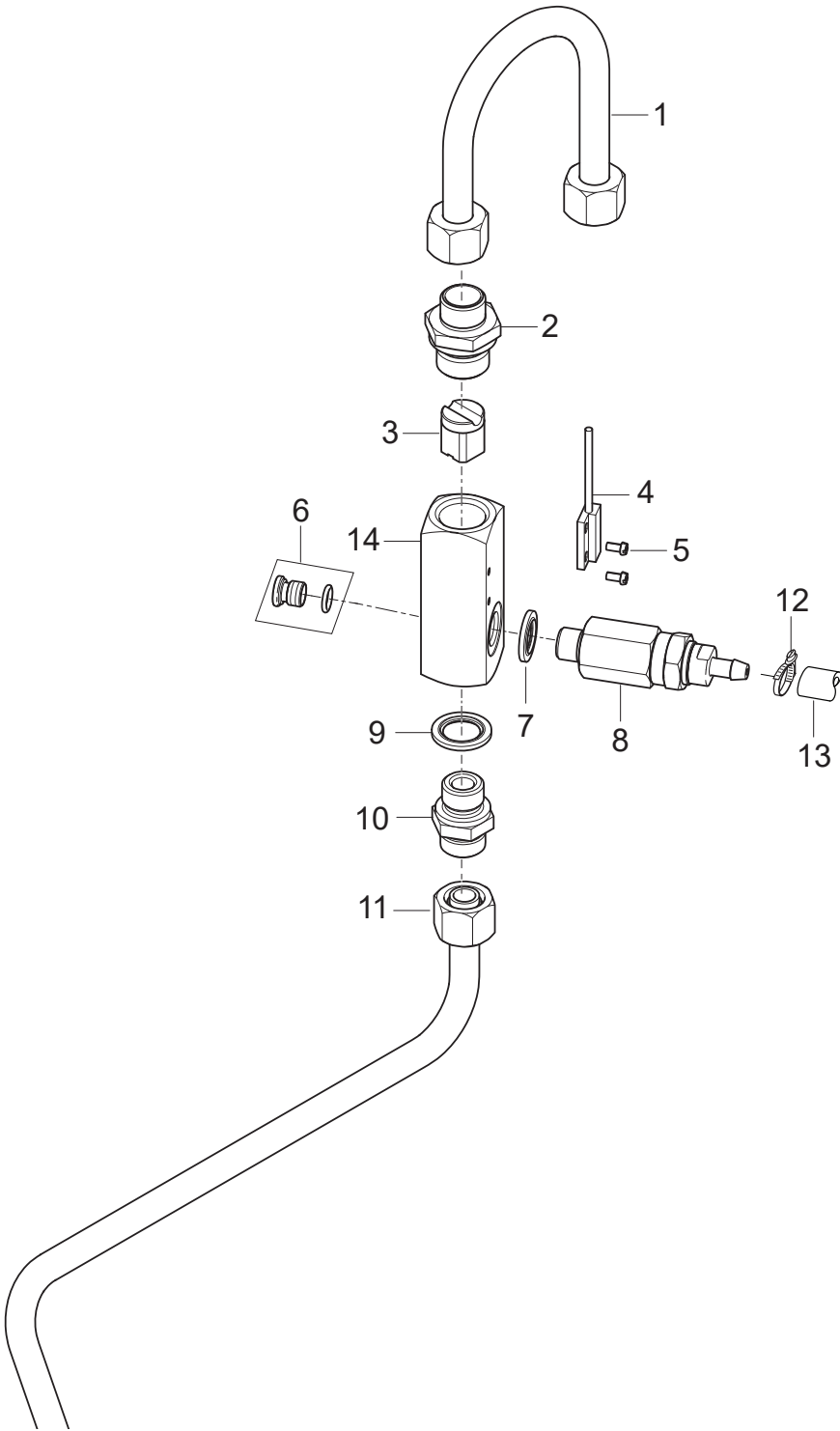


| No. | Part No. | Qty. | Description | Part Note |
|-----|-----------|------|-----------------------------------|-----------|
| 1 | 31000645 | 1 | PLUG 1/4 INCH G | |
| 2 | 31000942 | 1 | SCREW M8x45 | |
| 3 | 31000943 | 1 | PUMP HEAD | |
| 4 | 301003035 | 1 | SCREW M6 | |
| 5 | 31000944 | 2 | WASHER | |
| 6 | 31000952 | 1 | PLUG | |
| 7 | 31000953 | 1 | O-RING D13.5x1.8 | |
| 8 | 31000937 | 1 | INLET & OUTLET VALVE KIT | |
| 9 | 31000928 | 1 | EASY START KIT | [1] |
| 10 | 31000930 | 1 | VALVE SEAT KIT | |
| 11 | 31000929 | 1 | GASKET KIT FOR UNLOADER | |
| 12 | 31001194 | 1 | PISTON GUIDE | |
| 13 | 31000948 | 1 | PISTON | |
| 14 | 31000630 | 2 | SPRING PLATE | |
| 15 | 31000649 | 1 | SPRING 10.62X6.08X2.8 | |
| 16 | 31001196 | 1 | NUT | |
| 17 | 31001195 | 1 | REGULATOR | |
| 18 | 31001197 | 1 | GUIDE | |
| 19 | 31001198 | 1 | KNOB | |
| 20 | 31001199 | 1 | NUT | |
| 21 | 31001200 | 1 | SCREW | |
| 22 | 31000951 | 1 | PLUG | |
| 23 | 31000986 | 1 | PISTON KIT FOR MICROSWITCH | |
| 24 | 31000987 | 1 | FITTING KIT FOR MICROSWITCH | |
| 25 | 31000954 | 1 | CLAMP FOR SWITCHBOX | |
| 26 | 107142680 | 1 | SWITCHBOX ASSEMBLY | |
| 28 | 31000935 | 1 | GASKET KIT | |
| 29 | 31000968 | 3 | PISTON GUIDE D14 | |
| 30 | 31000956 | 1 | SUPPORT | |
| 31 | 31000957 | 2 | SCREW 5x10 UNI 8110 | |
| 32 | 301003063 | 4 | SCREW M5X25 | |
| 33 | 31000958 | 1 | PUMP BODY | |
| 34 | 31000597 | 1 | O-RING Ø14X1.78 | |
| 35 | 31000959 | 1 | PLUG 3/8INCH G PLASTIC | |
| 36 | 31001001 | 1 | O-RING Ø92X3 | |
| 37 | 31000938 | 1 | PISTON KIT D14 | |
| 38 | 1803337 | 1 | SCREW M8X25 | |
| 38 | 1812296 | 1 | SCREW M8X25 STAINLESS | |
| 39 | 31000936 | 1 | BEARING KIT | |
| 40 | 31000962 | 1 | WOBBLE DISC 10 DEG | [2] |
| 40 | 31001202 | 1 | WOBBLE DISC 6.5 | [3] |
| 40 | 31000960 | 1 | WOBBLE DISC 12 DEG | [4] |
| 41 | 31000932 | 1 | PRESSURE VALVE KIT | |
| 42 | 31000941 | 1 | KIT FOR INJECTOR | |
| 43 | 31000933 | 2 | INJECTOR ALTO | |
| 44 | 31000969 | 1 | FITTING 3/8INCH GM - 3/8INCH G M | |
| 45 | 107143090 | 1 | ADAPTOR IN 3/8 OUT M18X1.5 | |
| 46 | 107143093 | 1 | SWIVEL ADAPTER 90 3/8 | |
| 47 | 31000945 | 1 | O-RING D14x2 | |
| 48 | 31000946 | 1 | FITTING 1/2INCH G M - 3/8INCH G M | |
| 49 | 107143091 | 1 | WATER INLET NA4 | |
| 50 | 107143088 | 1 | O-RING 18.72X2.62 | |
| 51 | 107143092 | 1 | WATER LIMITER (SMALL) | |
| 51 | 107143181 | 1 | WATER LIMITER X-SMALL | [5] |
| 52 | 107143085 | 1 | LOCK PIN | |
| 53 | 8298 | 1 | HOSE CLIP | |
| 54 | 107143031 | 1 | FUELFLEX HOSE D28/D20 10BAR/20° | |
| 55 | 11654 | 2 | HOSE CLAMP Ø11.5 | |

| No. | Part No. | Qty. | Description | Part Note |
|-----|-----------|------|--------------|-----------|
| 56 | 106408243 | 1 | HOSE 1/4INCH | |

Part Notes:

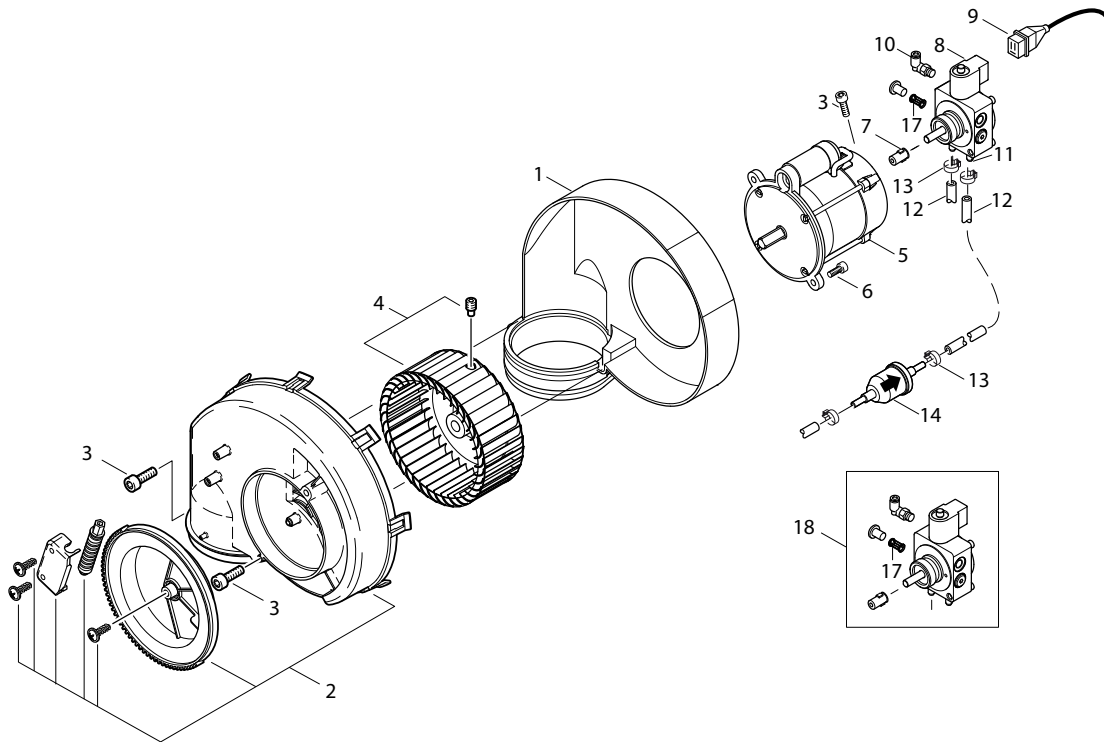
- [1] - 1ph only
- [2] - EU + Gerni 1ph
- [3] - US
- [4] - UK 1ph
- [5] - US only



| No. | Part No. | Qty. | Description | Part Note |
|-----|-----------|------|-------------------------------------|-----------|
| 1 | 107143115 | 1 | PIPE FLOW CONTROL PA/BOILER B2-B2.5 | |
| 2 | 107143122 | 1 | THREADED CONNECTION D12X1/2 INCH | |
| 3 | 101117798 | 1 | MAGNET HOUSING CPL KIT | |
| 4 | 107143121 | 1 | REED SWITCH NO W/CABLE | |
| 5 | 101118033 | 2 | SCREW M3X6 BRASS DIN | |
| 6 | 101117924 | 1 | PLUG FOR MPU 1/8 | |
| 7 | 1803493 | 1 | TIGHTENING WASHER | |
| 8 | 101118292 | 1 | OPENING PRESSURE VALVE 250 BAR KIT | [1] |
| 8 | 101118291 | 1 | OPENING PRESSURE VALVE 200 BAR KIT | [2] |
| 8 | 101118290 | 1 | OPENING PRESSURE VALVE 146 BAR KIT | [3] |
| 9 | 1801075 | 1 | PACKING RING | |
| 10 | 1601079 | 1 | SCREWED CONNECTION | |
| 11 | 107143118 | 1 | PIPE MPU/FLOW CONTROL NA4 PA | |
| 12 | 11654 | 2 | HOSE CLAMP Ø11.5 | |
| 13 | 101406100 | 1 | HOSE DN 6X3 5M | |
| 14 | 101118306 | 1 | FLOW CONTROL HOUSING PA | |

Part Notes:

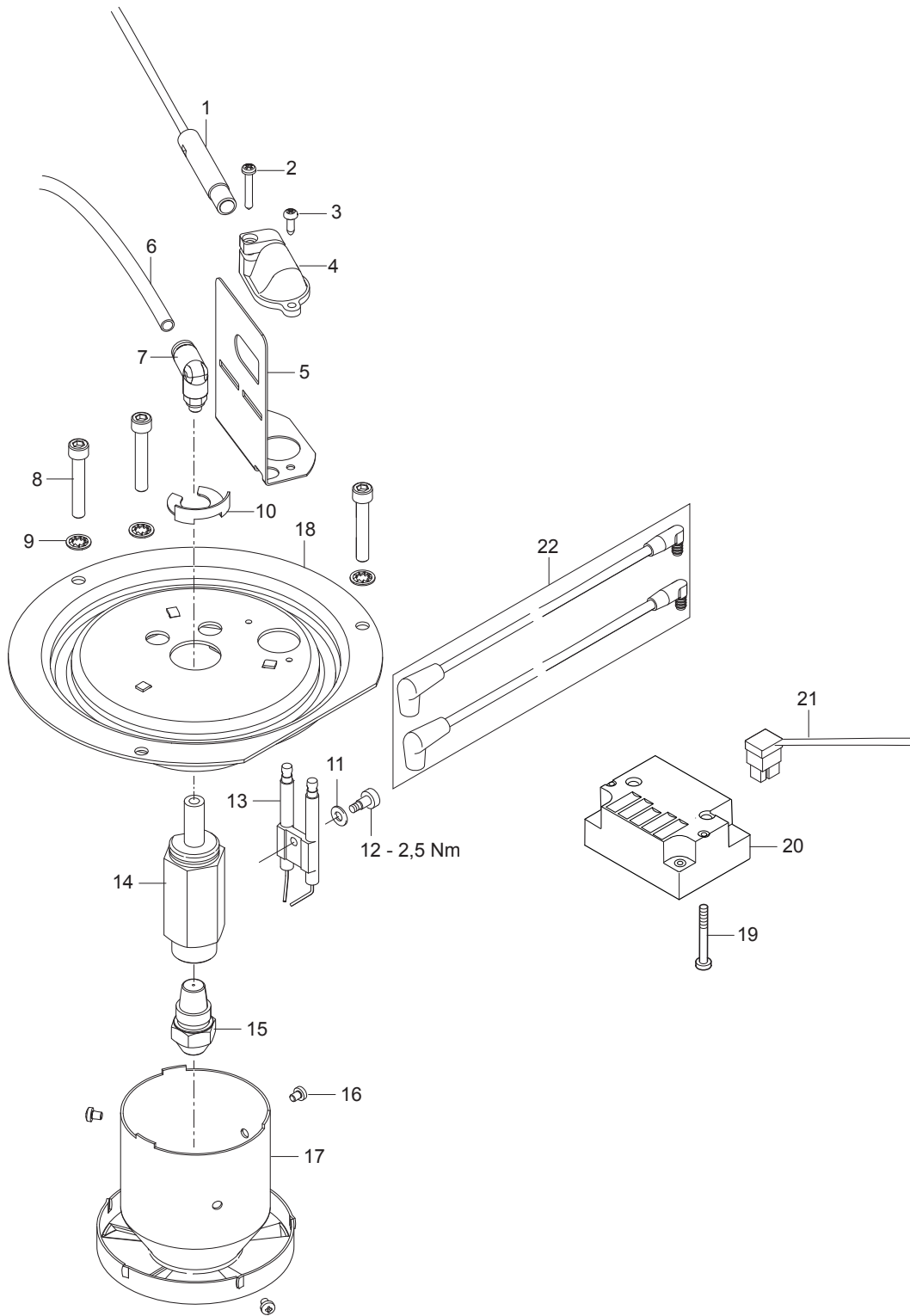
- [1] - MH 3C-180/780 PA 400/3/50 EU
- [2] - MH 3C-145/600 PA 230/1/50 EU,
MH 3C-145/600 PA 240/1/50 Gemi
- [3] - MH 3C-90/670 PAX 230/1/50 UK, MH 3C-1300/1.9 PA 120/1/60 US



| No. | Part No. | Qty. | Description | Part Note |
|-----|-----------|------|------------------------------------|-----------|
| 1 | 301000495 | 1 | FAN HOUSE | |
| 2 | 301000852 | 1 | COVER FOR FAN HOUSING | |
| 3 | 32535 | 3 | SCREW M5X16 | |
| 4 | 301000889 | 1 | FAN WHEEL 160X60 | |
| 4 | 301002126 | 1 | FAN WHEEL | [1] |
| 5 | 107143179 | 1 | MOTOR BURNER 350W/110-120V/50/60HZ | [2] |
| 5 | 107143096 | 1 | MOTOR BURNER - | |
| 5 | 107143097 | 1 | MOTOR BURNER | [1] |
| 6 | 4697 | 2 | SCREW M6X16 | |
| 7 | 101117707 | 1 | COUPLING FOR OIL PUMP BFA | |
| 8 | 3821089 | 1 | COIL WITH NUT AND WASHER | |
| 9 | 107143095 | 1 | CABLE FOR SOLENOID VALVE 2X0.5 | |
| 10 | 101117706 | 1 | PUSH-IN ANGLE FITTING | |
| 11 | 101117777 | 1 | HOSE CONNECTIONS FOR | |
| 12 | 106408244 | 1 | HOSE D6X2.5 - 5 METERS | |
| 13 | 301001133 | 2 | HOSE CLAMP 10/7 | |
| 14 | 301002926 | 1 | FILTER | |
| 17 | 31001081 | 1 | FILTER FOR OIL PUMP | |
| 18 | 101117673 | 1 | OIL PUMP INCL. FITTINGS | |

Part Notes:

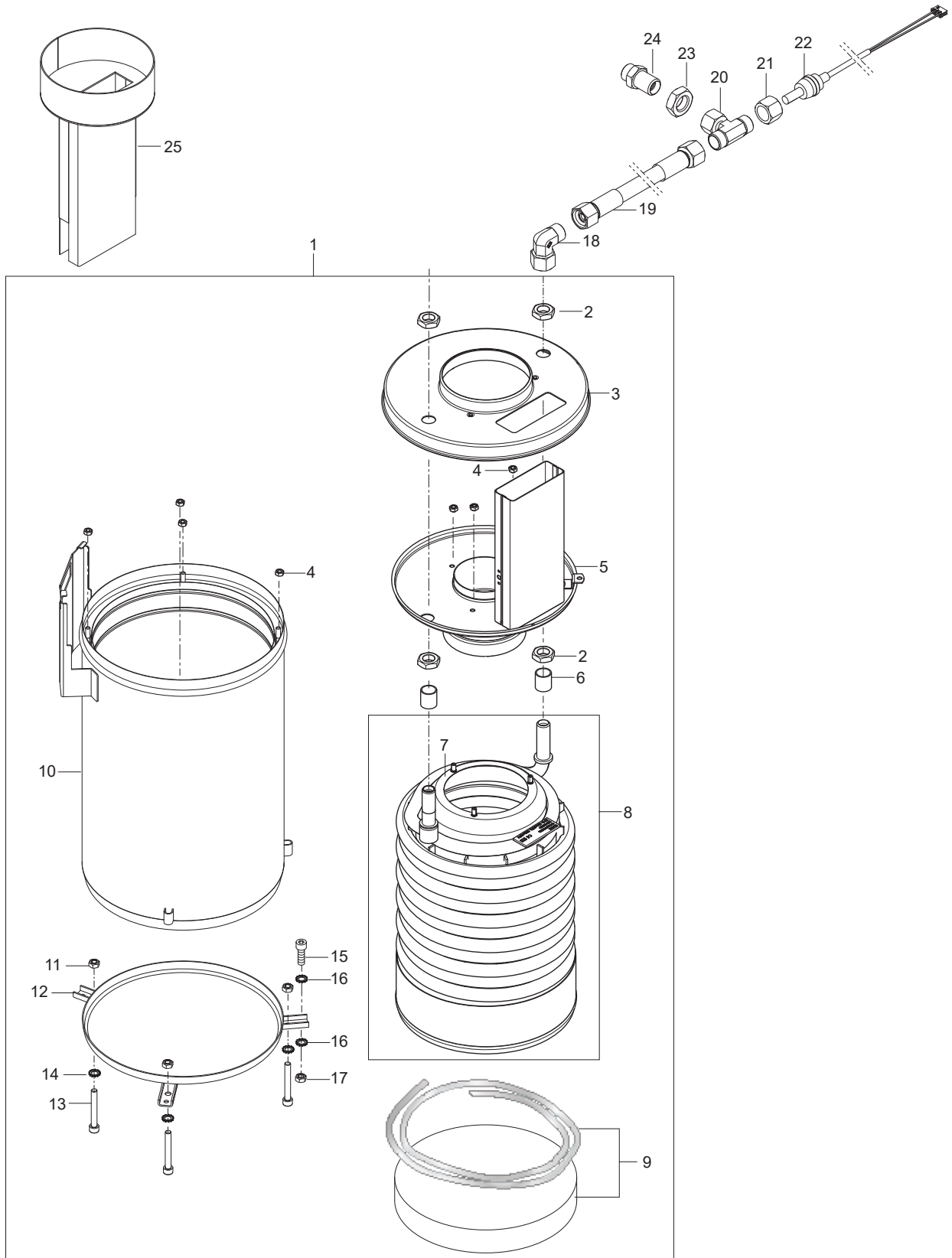
- [1] - JP, EXPT
 [2] - MH 3C



| No. | Part No. | Qty. | Description | Part Note |
|-----|-----------|------|--|-----------|
| 1 | 107143100 | 1 | FLAME SENSOR WITH CABLE | |
| 2 | 5606 | 1 | SCREW 2,9X19 | |
| 3 | 4036 | 1 | SHEET METAL SCREW 2.9X9 | |
| 4 | 301000934 | 1 | HOLDER NEPTUNE SENSOR | |
| 5 | 107143101 | 1 | SHIELD FOR FLAME SENSOR | |
| 6 | 909100141 | 1 | PIPE Dia 4x1 | |
| 7 | 101117913 | 1 | ELBOW 4/M5 PUSH-IN | |
| 8 | 3873 | 3 | SCREW M5X30 | |
| 9 | 3376 | 3 | SERRATED LOCK WASHER D5.3 A2 DIN 6798A | |
| 10 | 101117876 | 1 | CIRCLIPS | |
| 11 | 909100144 | 1 | SPRING WASHER B5 | |
| 12 | 909100143 | 1 | PAN HEAD SCREW M4X 4.5 | |
| 13 | 301150009 | 1 | IGNITION ELECTRODE KIT | |
| 14 | 101117915 | 1 | OIL NOZZLE HOLDER | |
| 15 | 61659 | 1 | OIL NOZZLE 1.25 GAL - 60 | [1] |
| 15 | 2802712 | 1 | NOZZLE 1.0 GAL/H 3.72KG/ | [2] |
| 15 | 301002856 | 1 | FUEL NOZZLE 0.75 60 DEG. | [3] |
| 16 | 51848 | 3 | OVEL HEAD SCREW | |
| 17 | 107143102 | 1 | AIR DISTRIBUTOR CPL. | [1] |
| 17 | 101117758 | 1 | AIR DISTRIBUTOR | [2] |
| 17 | 301002848 | 1 | AIR DISTRIBUTOR D80 X 71.3 | [3] |
| 17 | 107145775 | 1 | AIR DISTRIBUTOR Ø 77.5 | [4] |
| 18 | 101117757 | 1 | COVER FOR BOILER COMPLETE | |
| 19 | 909100149 | 2 | SCREW K50X50 T25 WN1453 | |
| 20 | 101117759 | 1 | IGNITION TRANSF 220-240 | [5] |
| 20 | 101117959 | 1 | COFI TRH2-30CU VD 120V 50/60HZ | [6] |
| 21 | 107143098 | 1 | PRIMARY CABLE FOR IGNITION COIL | |
| 22 | 101118220 | 1 | 2 X IGNITION CORDS KIT | |

Part Notes:

- [1] - 66kW
- [2] - 51kW
- [3] - 40kW
- [4] - to be used on B2.5 where the location is higher than 1000m above see level
- [5] - TSB-PPW-2018-004 Boiler cannot start - no ignition
FR TSB-PPW-2018-004 Le bruleur ne démarre plus
DE TSB-PPW-2018-004 Brenner startet nicht - keine Zündung
- [6] - US



| No. | Part No. | Qty. | Description | Part Note |
|-----|-----------|------|-----------------------------------|-----------|
| 1 | 107143104 | 1 | HEAT EXCHANGER B2, MH | |
| 1 | 107143106 | 1 | HEAT EXCHANGER B2 SS, MH | [1] |
| 2 | 7012 | 4 | HEXAGON NUT M18X1.5 | |
| 3 | 101117768 | 1 | BOILER COVER OUTER | |
| 4 | 12263 | 4 | HEXAGON NUT M6 | |
| 5 | 31001045 | 1 | INSIDE BOILER TOP B2 | |
| 6 | 301000582 | 2 | BUSHING Ø22X1.5X24 | |
| 7 | 31000527 | 1 | SHIELDING CONE FOR BOILER N2 | |
| 8 | 31001046 | 1 | COIL WELDED B2 | |
| 8 | 107143303 | 1 | COIL B2 SS, MH | [2] |
| 9 | 101117684 | 1 | ISOLATION KIT NEPTUNE 2 | |
| 10 | 31001047 | 1 | BOILER JACKET B2 | |
| 11 | 2758 | 3 | NUT | |
| 12 | 31001044 | 1 | BOTTOM PLATE WELDED B2/2.5 | |
| 13 | 3453 | 3 | SCREW M8X60 | |
| 14 | 1810274 | 3 | WASHER M8 | |
| 15 | 4697 | 3 | SCREW M6X16 | |
| 16 | 107143146 | 6 | WASHER SERRATED M6 | |
| 17 | 11619 | 3 | Lock Nut M6 - 8 A2K | |
| 18 | 101118094 | 1 | COUPLING KIT 90D ISO | |
| 19 | 107143067 | 1 | HP HOSE 5/16 DN8 BLACK W/2X DKL | |
| 20 | 101118093 | 1 | T-FITTING M18 X 1.5 THREA | |
| 21 | 1081 | 1 | UNION NUT HOSE REEL | |
| 22 | 107143083 | 1 | TEMPERATUR SENSOR PT100 | |
| 23 | 1803220 | 1 | LOCK NUT | |
| 24 | 107143082 | 1 | OUTLET FITTING | |
| 25 | 106403197 | 1 | CHIMNEY ADAPTOR B2/B2.5 ACCESSORY | |

Part Notes:

- [1] - NO LONGER AVAILABLE
 [2] - TSB-PPW-2017-011 Stainless Steel heat exchangers new stay material and new spare part numbers

