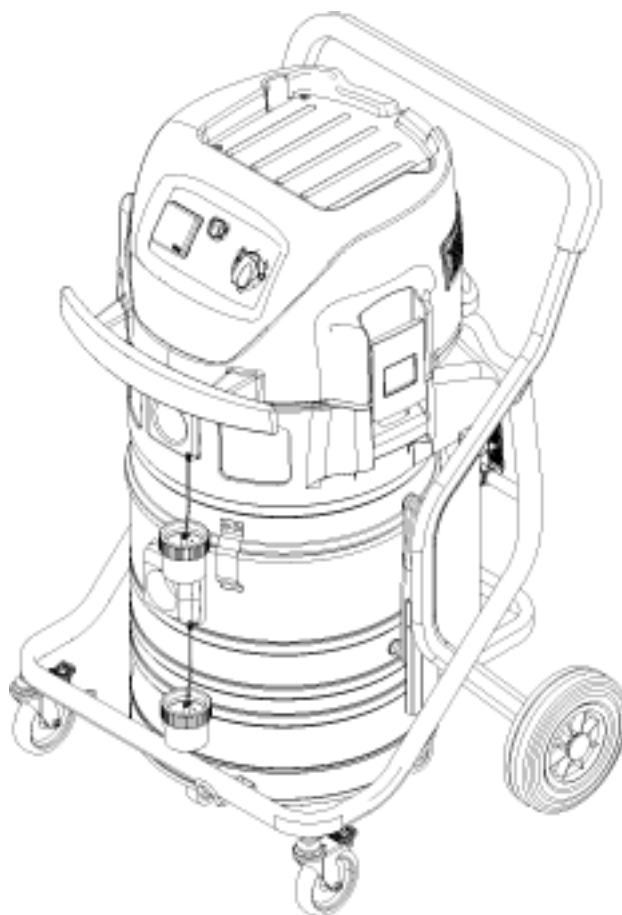


PARTS LIST

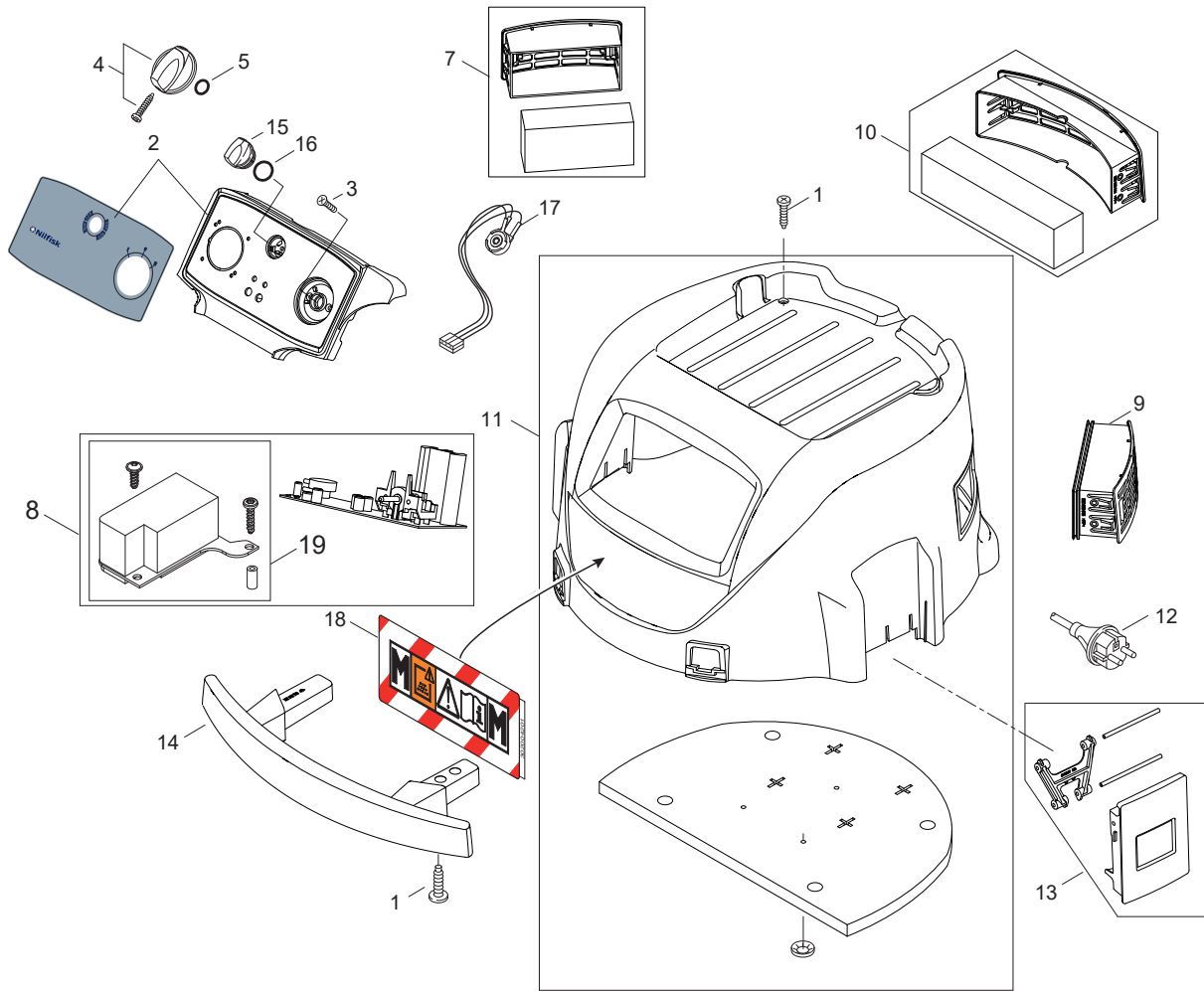


2023.09.19

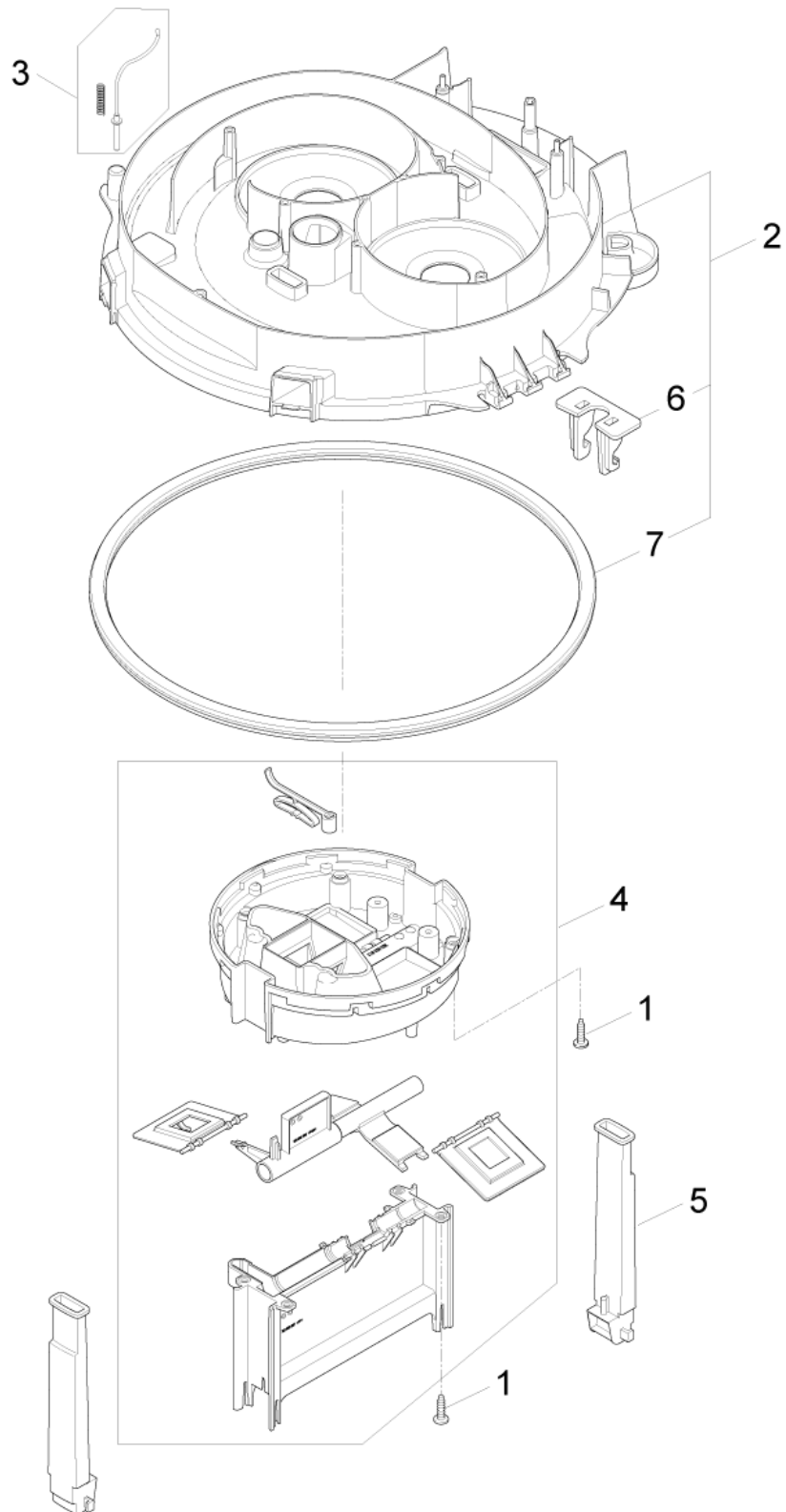
NILFISK

TABLE OF CONTENTS

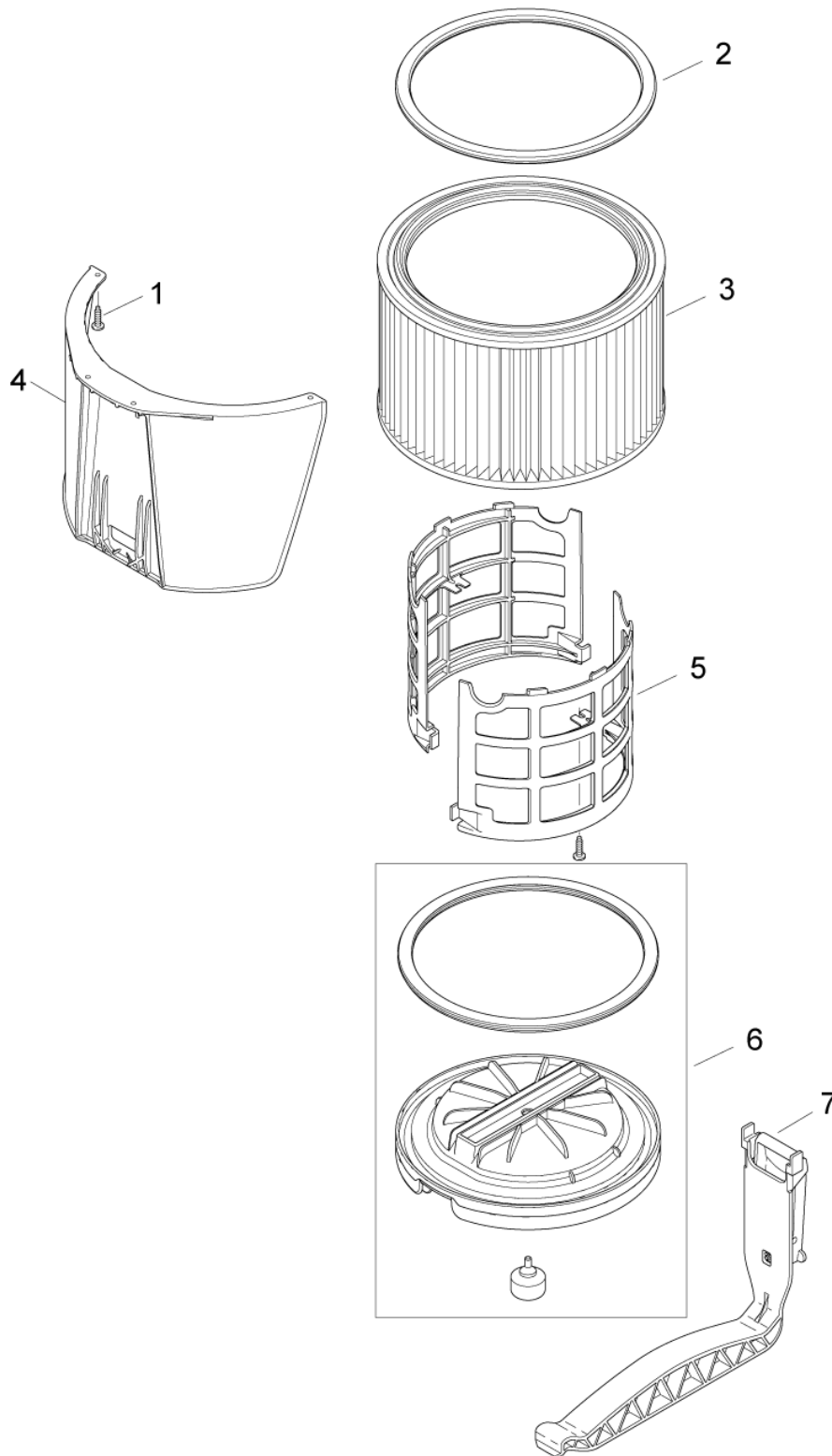
Cabinet	1
Base	3
Filter system 2H/M XC.....	5
Motor and motor top.....	7
Container top and chassis.....	9
Container.....	11
RECOMMENDED SPARE PARTS.....	13



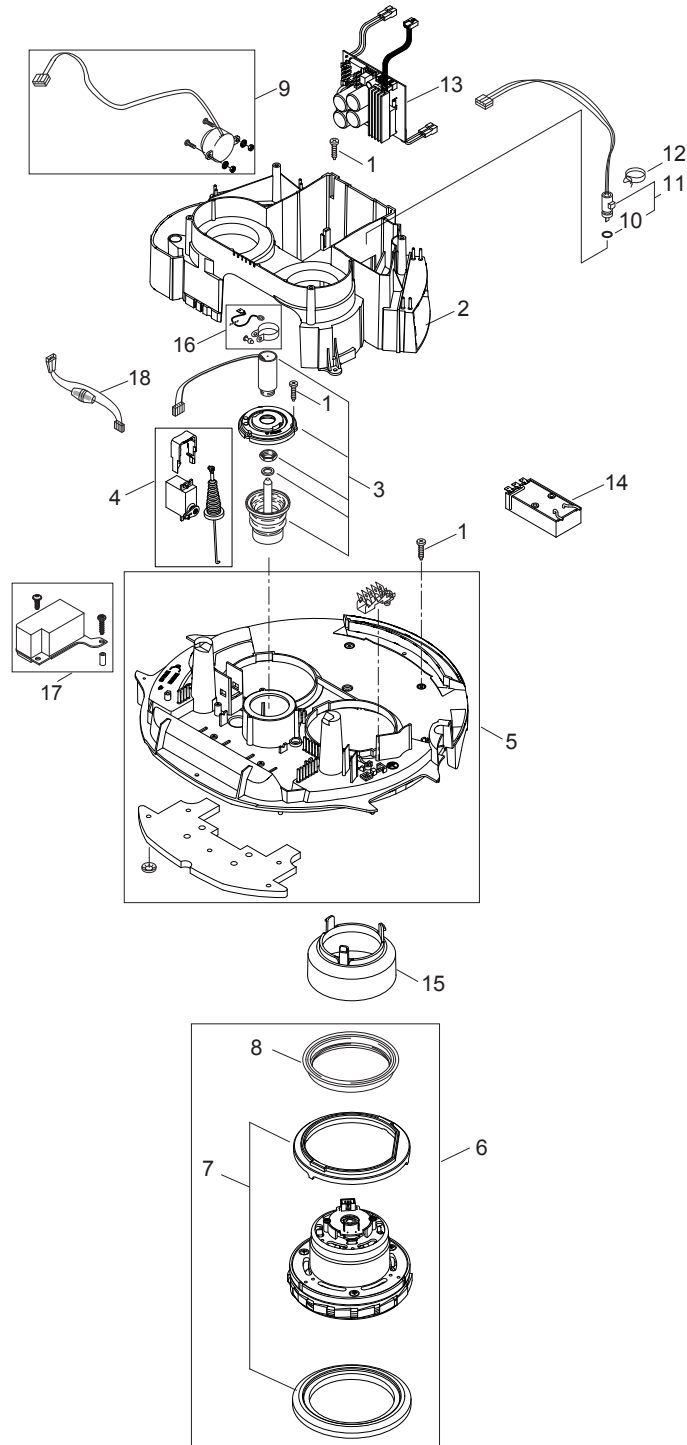
No.	Part No.	Qty.	Description	Part Note
1	302003319	1	SCHRABEN ATTIX/IVB 9	
2	107402427	1	DISPLAY I-0-II + POTI IVB 9	
3	18274	2	COUNTERS UNK SCREW M4X12	
4	909100231	1	TURNING KNOB GR.1 6X5 P	
5	9868	1	O-RING 10.2X2.5 NBR 70	
7	302003397	1	CARTRIDGE ATTIX 9/IVB9	
8	107400045	1	ELECTRONIC I-0-II EC KIT	
9	107400041	2	MOTOR COOLING AIR	
10	302003398	1	EXHAUST AIR FILTER	
11	302003425	1	HOOD KIT ATTIX 9XC	
12	107402666	1	POWERCORD 1.5X10.8M	
12	107420521	1	POWER CORD H07RN-F 3G1,0MM IP55 CH	
12	302002791	1	WIRE NETZ H07RN-F3G1.0X10.8M	
12	302002790	1	LTG NETZ H07BQ-F3G2.5X10.8M CE	
12	302002788	1	LTG NETZ H07RN-F3G1.5X10.6M	
13	302003383	1	CLAMP KIT, ATTIX 9/IVB9	
14	302002590	1	HANDLE FOR HOOD	
15	107400575	1	TURNING KNOB FOR POTI -	
16	107400576	1	O-RING 21X1.5	
17	302000429	1	ELECTRONIC POTENTIOMETER	
18	107401548	1	LABEL DUSTCLASS H	
19	107410005	1	PCBA ATTIX 9 EC RELAY 230V KIT	



No.	Part No.	Qty.	Description	Part Note
1	302003319	1	SCHRAVBEN ATTIX/IVB 9	
2	302003598	1	BASE PLATE XC	
3	107402835	1	CONTACT SPRING WIRE AND FASTON	
4	302003422	1	FILTER CLEAN SYSTEM XC	
5	302000514	2	GASKET	
6	107413313	1	FIXTURE 72X32X52 - KIT	
7	302001432	1	GASKET CONTAINER	



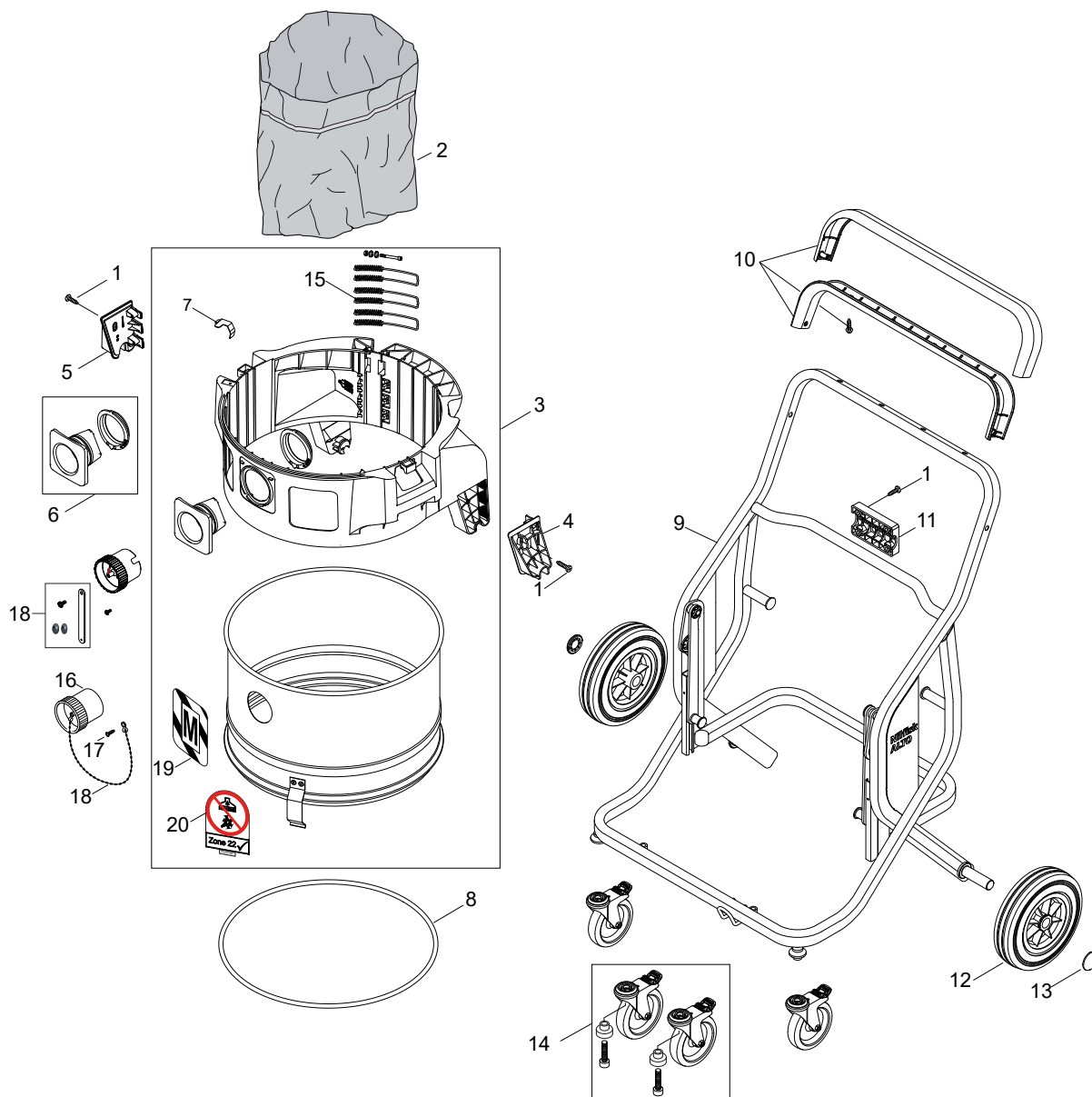
No.	Part No.	Qty.	Description	Part Note
1	302003376	1	SCREW KIT	
2	302000697	1	GASKET FILTER	
3	107400564	1	FILTER ELEMENT D275X187 H	
3	107400562	1	FILTER ELEMENT D275X187	
4	107402640	1	DEFLECTOR 318X180X212 KIT	
5	302000385	1	FILTER SUPPORT CAGE 216X	
6	107402653	1	FILTER SURFACE PLATE	
7	302001139	1	TENSION JACK H	



No.	Part No.	Qty.	Description	Part Note
1	302003319	1	SCHRAVBEN ATTIX/IVB 9	
2	107400043	1	AIRGUIDE ATTIX 9 KIT	
3	107400291	1	MAGNET 230V	
4	302003421	1	SERVO MOTOR	
5	302003423	1	CLAMPING PLATE XC	
6	107400042	1	MOTOR EC SET	[1]
7	302003648	1	SEALING KIT R	
8	47364	1	PACKING RING 108X86X18	
9	107400437	1	PIEZO BUZZER KIT	[2]
10	55416	1	O-RING 4.0X1.5 NBR70	
11	302000428	1	FLOW SENSOR ATTIX 3,5,7	
12	107400578	1	HOSE CLAMP D10	
13	107400044	1	ELECTRONIC EC MOTOR KIT	
14	107402619	1	SCREENING FILTER KIT	
15	107401936	1	HOOD FOR EC	
16	107402836	1	EARTH CLIP FOR MAGNET - KIT	[3]
17	107410005	1	PCBA ATTIX 9 EC RELAY 230V KIT	
18	107410697	1	SOLENOID FUSE WIRE 230V AT 0,5A KIT	

Part Notes:

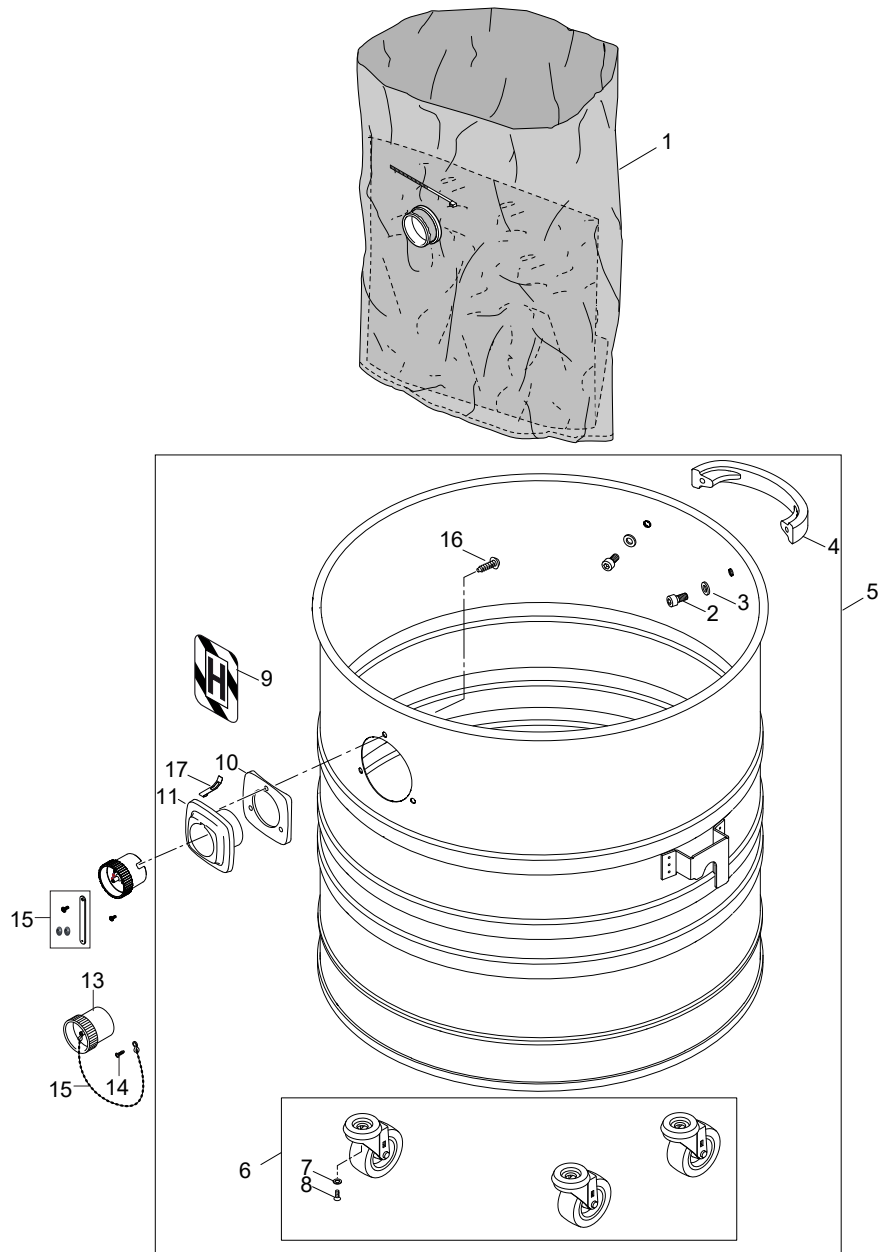
- [1] - TSB- Vac-2013-109 FAN UNIT UPGRADE
- [2] - VAC-090 new alarm from SN 2568260
- [3] - STOCK COVERS GUARANTEE



No.	Part No.	Qty.	Description	Part Note
1	302003319	1	SCHRAVBEN ATTIX/IVB 9	
2	302001480	1	DISPOSAL BAG SET5 "	
3	107400046	1	METAL BELT TYPE 22 KIT	
4	302002895	1	FITTING PLATE RH 'ATTIX	
5	302002896	1	FITTING PLATE 'ATTIX 9'	
6	107401120	1	INLET PART KIT ATT.9/IVB9 T22	[1]
7	107420978	1	PLATE FOR CONTAINER	
8	302002608	1	GASKET A#8	
9	302003087	1	PREASSEMBLED SD CHASSI	
10	302003418	1	HANDLE KIT	
11	302002769	1	SD CHASSIS MOUNT	
12	107401077	2	WHEEL 200X50 KIT	
13	3750	2	WHEEL CAPS TO SUIT TURBO	
14	107401054	1	CASTOR TURNABLE WITH BRAK	
15	909100383	1	SPRING 1.40X7.5X113	
16	14775	1	PLUG	
17	15183	1	EJOT SCREW KA35X10 WN1412 A2	
18	30081	1	BEAD CHAIN 150MM WITH	[2]
18	107419668	1	RUBBER STRAP KIT	[2]
19	302003710	1	LABEL WARNING M 80X80	
20	107400048	1	LABEL TYPE 22 NO SOCKET	[3]

Part Notes:

- [1] - See STI VAC-094VAC-094 ATTIX 9_30_40_50 Inlet Fitting
- [2] - TSB-LI-VACS- 2021-001 Ball Chain replaced with Rubber Strap
 DE TSB-LI-VAC-2014-002 Attix 30 Filterbeutel
 TSB-LI-VACS-2021-001 Attache de bouchon
- [3] - Type22 label



No.	Part No.	Qty.	Description	Part Note
1	302003473	1	M/H Safety Filter Bag	
2	14664	2	LENS HEAD COUNTER	
3	14805	2	WASHER 6 4 x 1.6	
4	14663	1	BOW-TYPE HANDEL M6	
5	107400047	1	CONTAINER TYPE 22 SET	
6	107401920	1	CASTER D50X20 H64 D10.2	
7	6100718	3	WASHER	
8	24310	3	SCREW	
9	302003709	1	LABEL WARNING H 80X80	
10	11167	1	ADAPTER RING PVC	
11	11166	1	FITTING	
13	14775	1	PLUG	
14	15183	2	EJOT SCREW KA35X10 WN1412 A2	
15	30081	1	BEAD CHAIN 150MM WITH	[1]
15	107419668	1	RUBBER STRAP KIT	[1]
16	302004029	3	SCREW 5X18	
17	17742	1	CONTACT SPRING B1 VA	

Part Notes:

- [1] - TSB-LI-VACS- 2021-001 Ball Chain replaced with Rubber Strap
 TSB-LI-VACS-2021-001 Attache de bouchon
 DE TSB-LI-VACS-2021-001 Kugelhette durch Gummiband ersetzt

RECOMMENDED SPARE PARTS

IVB 995-0H/M TYPE 22

2017.11.02

2016.06.06

RECOMMENDED SPARE PARTS

IVB 995-0H/M TYPE 22

2017.11.02

2016.06.06

No.	Part No.	Qty.	Description	Part Note
01	17742	1	CONTACT SPRING B1 VA	
01	107420521	1	POWER CORD H07RN-F 3G1,0MM IP55 CH	
01	302002896	1	FITTING PLATE 'ATTIX 9'	
01	302003423	1	CLAMPING PLATE XC	
01	107401936	1	HOOD FOR EC	
01	107401120	1	INLET PART KIT ATT.9/IVB9 T22	
01	3750	1	WHEEL CAPS TO SUIT TURBO	
01	107413313	1	FIXTURE 72X32X52 - KIT	
01	302003397	1	CARTRIDGE ATTIX 9/IVB9	
01	107402619	1	SCREENING FILTER KIT	
01	302001432	1	GASKET CONTAINER	
01	302002791	1	WIRE NETZ H07RN-F3G1.0X10.8M	
01	302000428	1	FLOW SENSOR ATTIX 3,5,7	
01	302003421	1	SERVO MOTOR	
01	107400044	1	ELECTRONIC EC MOTOR KIT	
01	302000697	1	GASKET FILTER	
01	302003473	1	M/H Safety Filter Bag	
01	11167	1	ADAPTER RING PVC	
01	11166	1	FITTING	
01	107400564	1	FILTER ELEMENT D275X187 H	
01	107402653	1	FILTER SURFACE PLATE	
01	302002608	1	GASKET A#8	
01	302003648	1	SEALING KIT R	
01	107400042	1	MOTOR EC SET	
01	302002895	1	FITTING PLATE RH 'ATTIX	
01	302003710	1	LABEL WARNING M 80X80	
01	107401077	1	WHEEL 200X50 KIT	
01	302003709	1	LABEL WARNING H 80X80	
01	107400047	1	CONTAINER TYPE 22 SET	
01	302000385	1	FILTER SUPPORT CAGE 216X	
01	302002790	1	LTG NETZ H07BQ-F3G2.5X10.8M CE	
01	302002590	1	HANDLE FOR HOOD	
01	107400048	1	LABEL TYPE 22 NO SOCKET	[1]
01	107402666	1	POWERCORD 1.5X10.8M	
01	302003398	1	EXHAUST AIR FILTER	
01	107401920	1	CASTER D50X20 H64 D10.2	
01	47364	1	PACKING RING 108X86X18	
01	302003383	1	CLAMP KIT, ATTIX 9/IVB9	
01	107400043	1	AIRGUIDE ATTIX 9 KIT	
01	30081	1	BEAD CHAIN 150MM WITH	
01	302003422	1	FILTER CLEAN SYSTEM XC	
01	302002788	1	LTG NETZ H07RN-F3G1.5X10.6M	
01	302000514	1	GASKET	
01	107400437	1	PIEZO BUZZER KIT	
01	14775	1	PLUG	
01	302001139	1	TENSION JACK H	
01	302003598	1	BASE PLATE XC	
01	302003425	1	HOOD KIT ATTIX 9XC	
01	107400291	1	MAGNET 230V	
01	107401054	1	CASTOR TURNABLE WITH BRAK	
01	107402835	1	CONTACT SPRING WIRE AND FASTON	

Part Notes:

[1] - TYPE22 LABEL

