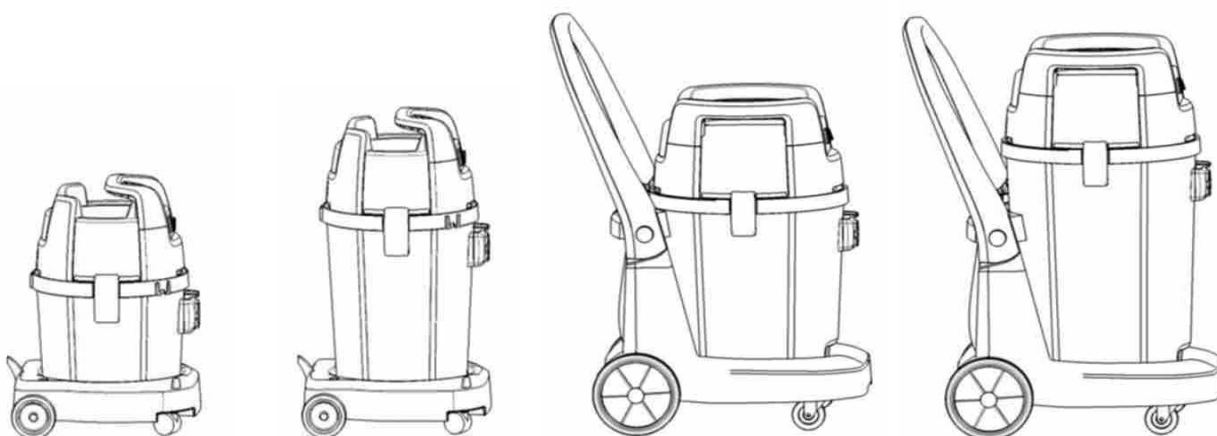
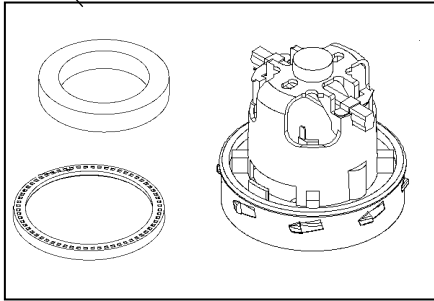


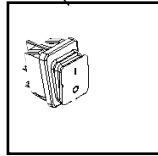
SPARE PARTS LIST**BOOK B****GD 320, GWD 320, GWD 335, GWD 350, GWD 375****B****5.9.3****1****DESCRIPTION****PLAN**

Motor top, GD 320 (Dry)	B - 5.9.3 - 2
Motor top, GWD 320, GWD 335, GWD 335 Steel	B - 5.9.3 - 4
Motor top, GWD 320 Craftsman , GWD 335 Craftsman	B - 5.9.3 - 6
Motor top, one motor GWD 350, GWD 375, GWD 375 Steel	B - 5.9.3 - 8
Motor top, two motor GWD 350-2, GWD 375-2, GWD 375-2 Steel	B - 5.9.3 - 10
Container, GD 320, GWD 320, GWD 335, GWD 335 Steel	B - 5.9.3 - 12
Container, GWD 350, GWD 375, GWD 375 Steel	B - 5.9.3 - 14
Trolley, GD 320, GWD 320, GWD 335, GWD 335 Steel, GWD 350, GWD 375, GWD 375 Steel	B - 5.9.3 - 16
Front nozzle, GWD 350, 350-2, GWD 375, 375-2, 375 Steel	B - 5.9.3 - 18
Nozzles, tubes and hoses	B - 5.9.3 - 20
Filters and dustbags	B - 5.9.3 - 22

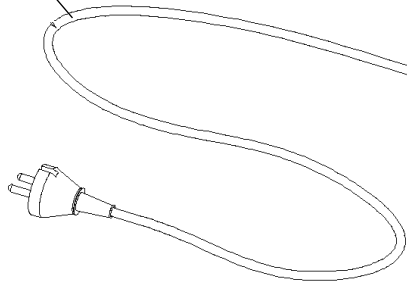
1



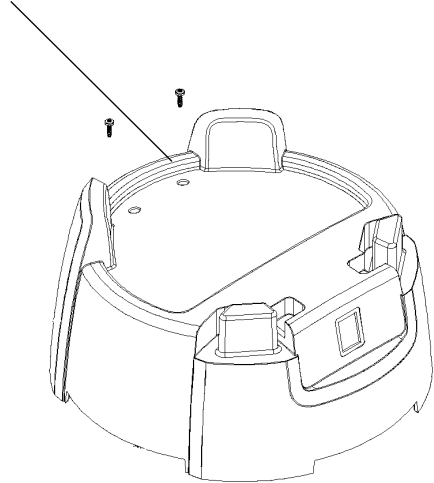
3



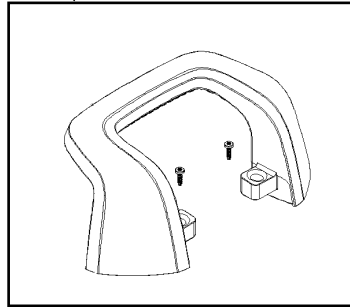
4



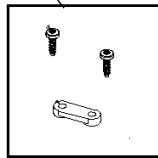
5



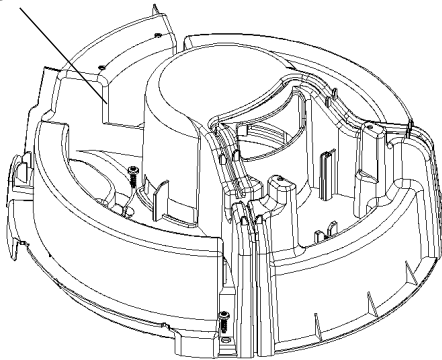
7



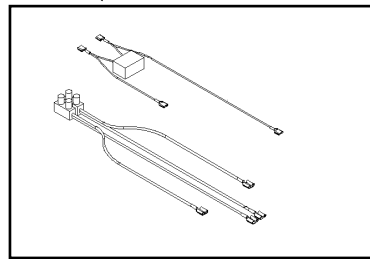
6



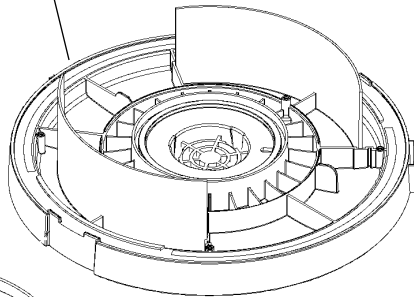
8



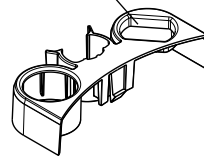
9



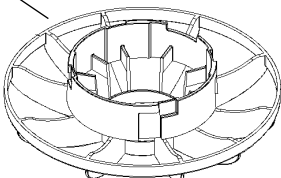
10



12



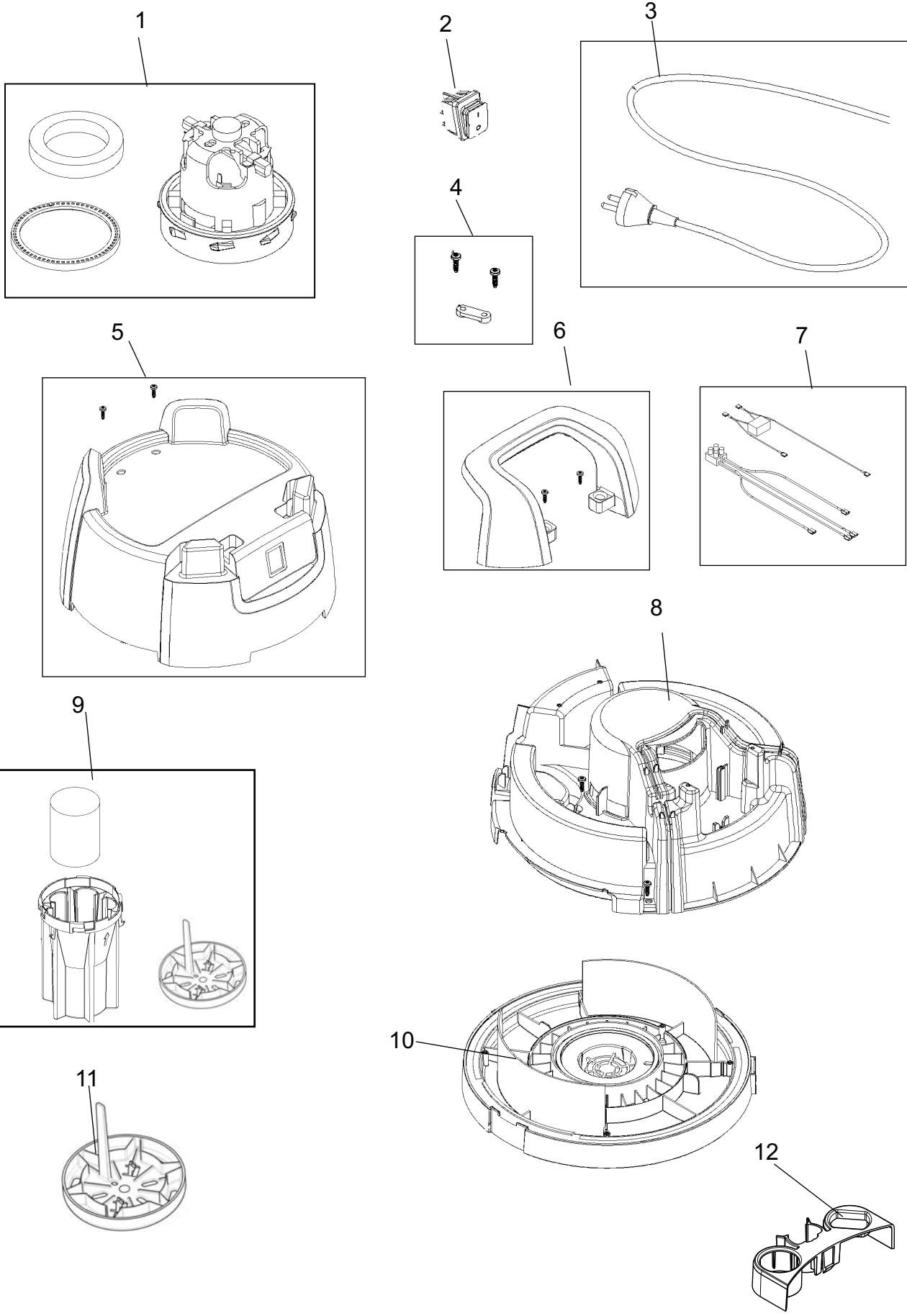
11



04-09	SPARE PARTS LIST	BOOK B		
07-02	GD 320	B	5.9.3	3

Item.No.	Part No	Qty.	Description	Note	EAN code
1	>> 140 8689 500	1	Fan unit By-pass 220-240V	Gaskets incl.	7319519639919
1	>> 140 8689 510	1	Fan unit By-pass 100-120V	Gaskets incl.	7319519639926
3	140 9537 500	2	Switch two pole		7319519639896
4	12222501	1	Cord set EU 10M		5715492008056
4	12222503	1	Cord set UK 10 M		5715492008063
4	12222506	1	Cord set AU/NZ		5715492008070
4	12003805	1	Cord set JP/US		5715492003099
5	140 8652 500	1	Cover outer N-A	Screws incl.	7319519640670
6	140 6560 500	1	Anti strain clip	Screws incl.	7319519640632
7	140 8650 500	1	Handle N-A	Screws incl.	7319519640687
8	140 8653 500	1	Cover fan unit		7319519640663
9	140 7042 500	1	Internal wire		7319519640694
10	140 8664 500	1	Chassis		7319519640656
11	140 8659 500	1	Basket GD 320		7319519640649
12	>> 140 8698 510	1	Holder accessorie		7319519646917

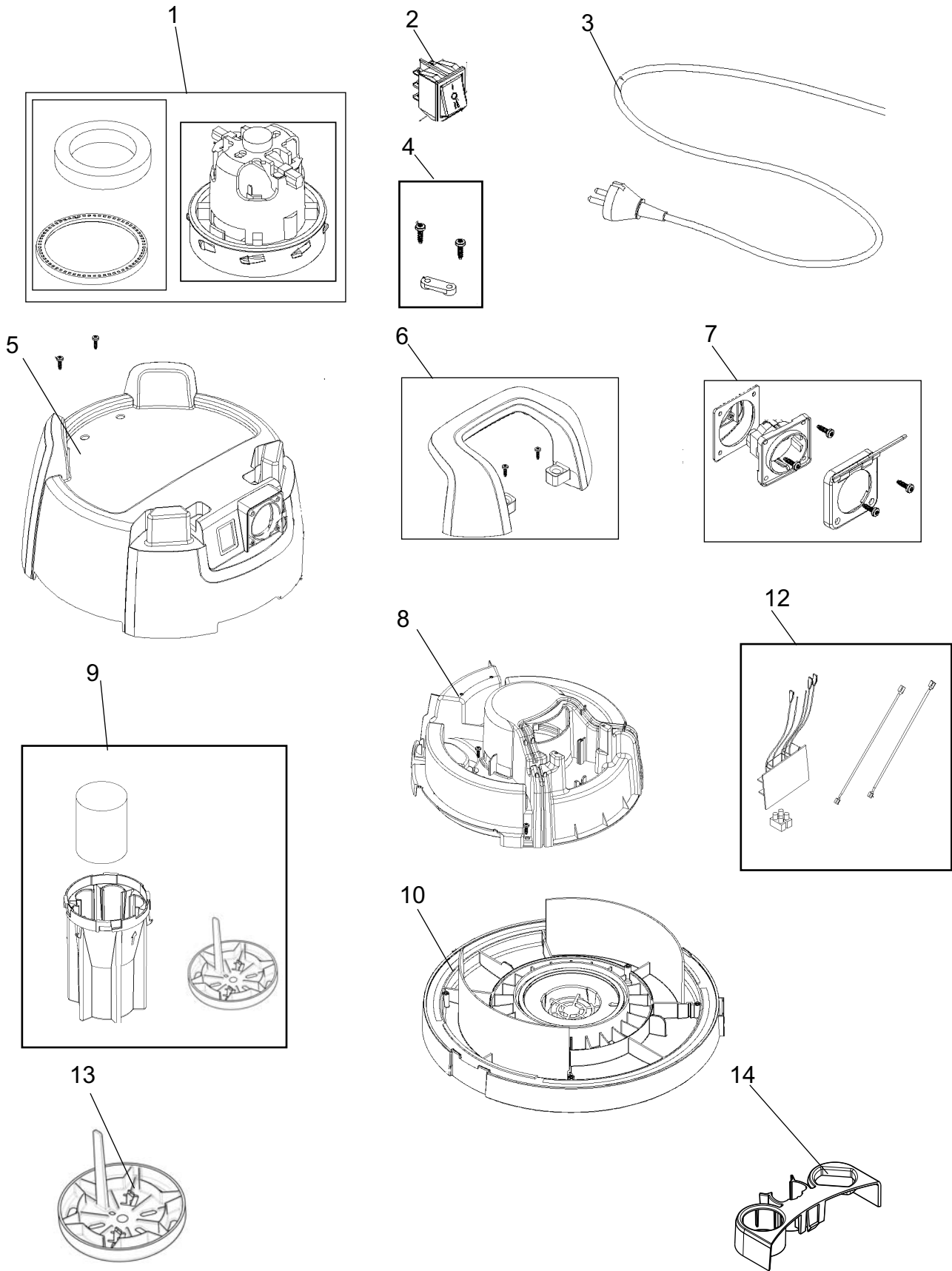
>>Means: New or changed ref. number or/and changed/new specifications.



06-10	MOTOR TOP- ONE MOTOR	BOOK B		
07-02	GWD 320, GWD 335, GWD 335 STEEL	B	5.9.3	5

<u>Item.No.</u>	<u>Part No</u>	<u>Qty.</u>	<u>Description</u>	<u>Note</u>	<u>EAN code</u>
1	140 8689 500	1	Fan unit By-pass 220-240V	Gaskets incl.	7319519639919
1	140 8689 510	1	Fan unit By-pass 100-120V	Gaskets incl.	7319519639926
2	140 9537 500	2	Switch two pole		7319519639896
3	12222501	1	Cord set EU 10M		5715492008056
3	12222503	1	Cord set UK 10 M		5715492008063
3	12222506	1	Cord set AU/NZ		5715492008070
3	12003805	1	Cord set JP/US		5715492003099
4	140 6560 500	1	Anti strain clip	Screws incl.	7319519640632
5	140 8652 500	1	Cover outer N-A	Screws incl.	7319519640670
6	140 8650 500	1	Handle N-A	Screws incl.	7319519640687
7	140 7042 500	1	Internal wire		7319519640694
8	140 8653 500	1	Cover fan unit		7319519640663
9	>>140 8680 500	1	Float basket, kit	Adapter/valve	7319519640700
10	140 8664 500	1	Chassis		7319519640656
11	>> 147 1119 500	1	Adapter for float basket	Wear protection	7319519660708
12	>> 140 8698 510	1	Holder accessorie		7319519646917

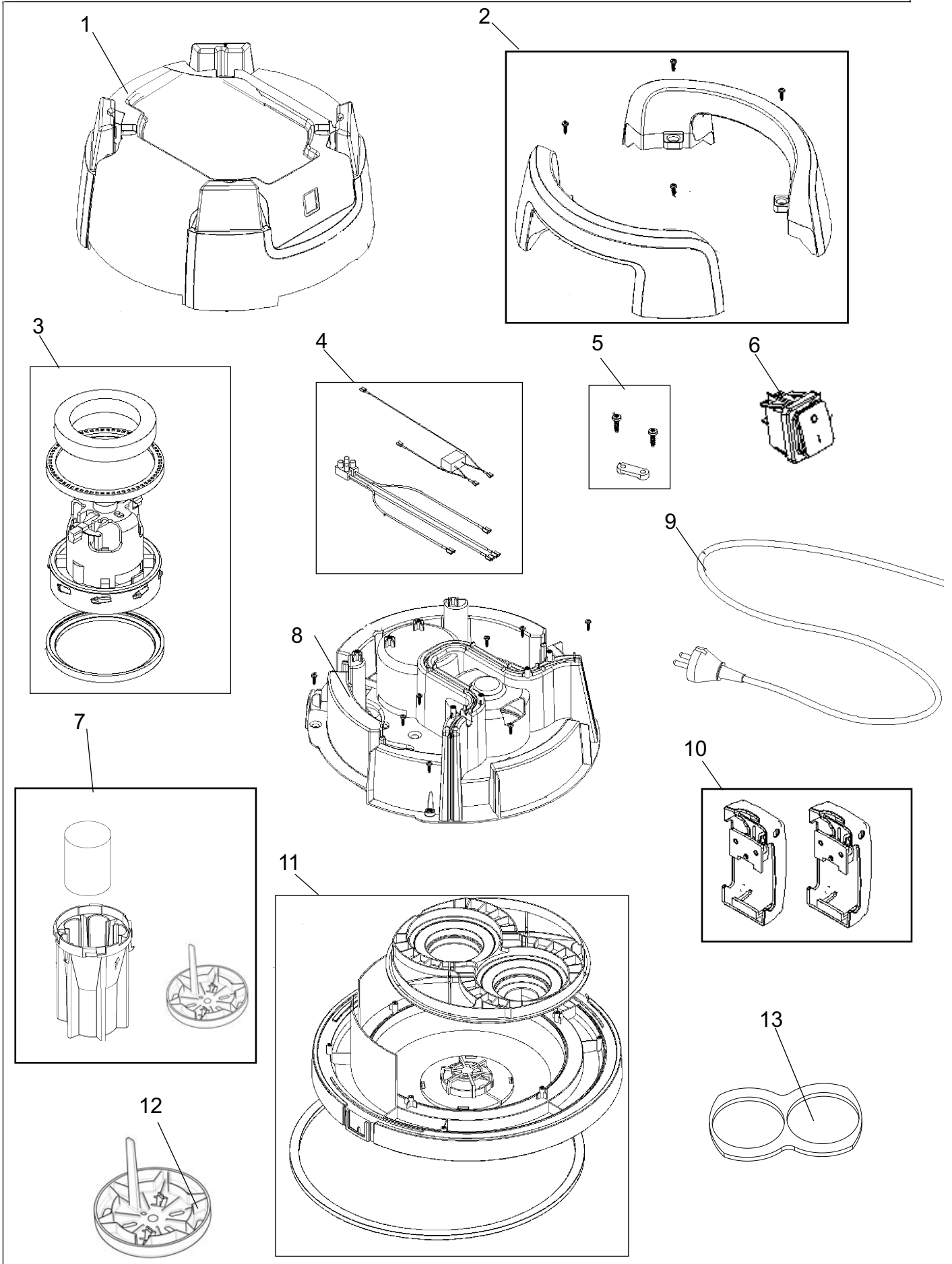
>>Means: New or changed ref. number or/and changed/new specifications.



06-10	MOTOR TOP - ONE MOTOR	BOOK B		
07-02	GWD 320 CRAFTSMAN, GWD 335 CRAFTSMAN	B	5.9.3	7

Item.No.	Part No	Qty.	Description	Note	EAN code
1	140 8689 500	1	Fan unit By-pass 220-240V		7319519639919
1	140 8689 510	1	Fan unit By-pass 100-120V		7319519639926
2	140 8677 500	2	Switch three pole		7319519640755
3	140 5669 500	1	Cord set EU 10 m	Craftsman	7319519640748
3	140 6777 500	1	Cord set UK 10 m	Craftsman	7319519640762
3	140 6777 510	1	Cord set AU/NZ 10 m	Craftsman	7319519640779
4	140 6560 500	1	Anti strain clip	Screws incl.	7319519640632
5	140 8666 500	1	Cover outer N-A	Screws incl.	7319519641196
6	140 8650 500	1	Handle N-A	Screws incl.	7319519640687
7	140 8690 500	1	Electrical outlet for EU-plug		7319519640786
7	140 8690 510	1	Electrical outlet for UK-plug		7319519640793
7	140 8690 520	1	Electrical outlet for AU/NZ-plug		7319519640809
8	140 8653 500	1	Cover fan unit		7319519640663
9	>> 140 8680 500	1	Float basket	Valve and adapter	7319519640700
10	140 8664 500	1	Chassis		7319519640656
12	140 8679 500	1	Curcuit board	Internal wires incl.	7319519640816
13	>>147 1119 500	1	Adapter for float basket	Wear protection	7319519660708
14	>> 140 8698 510	1	Holder accessorie		7319519646917

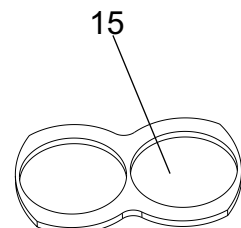
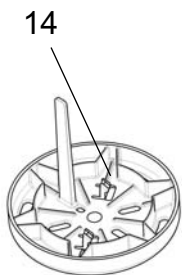
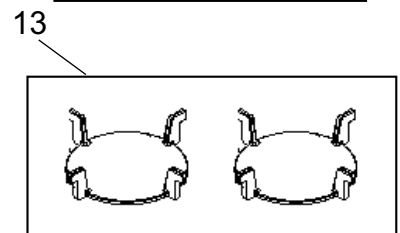
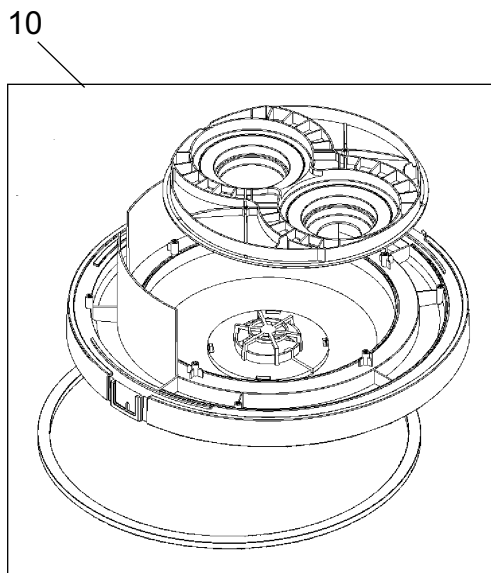
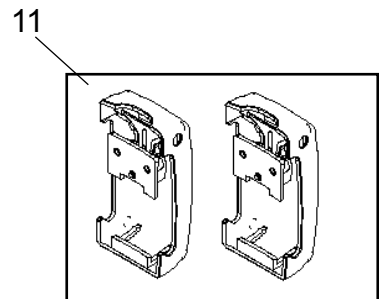
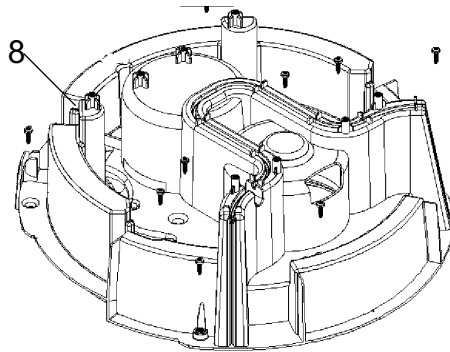
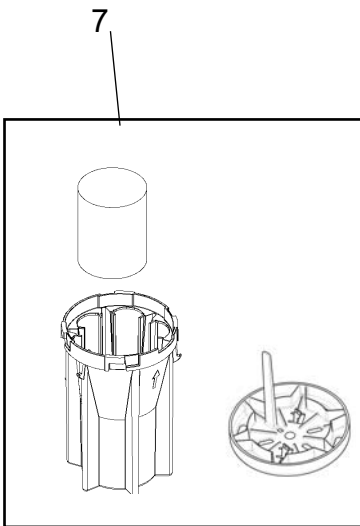
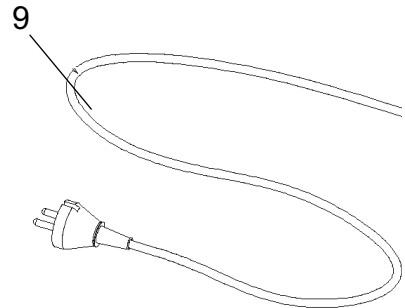
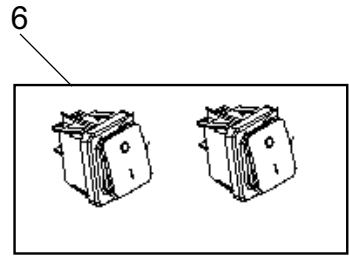
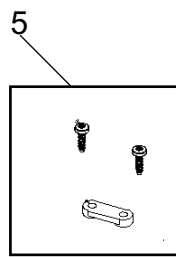
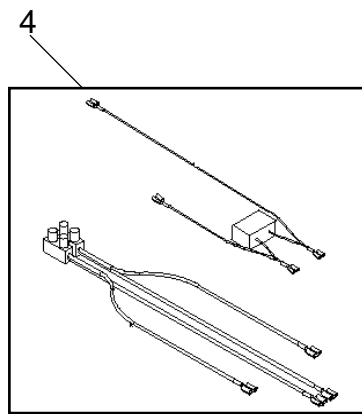
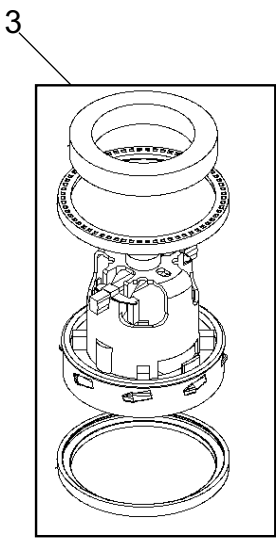
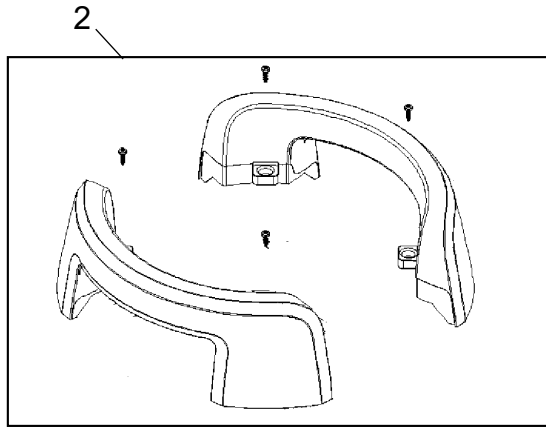
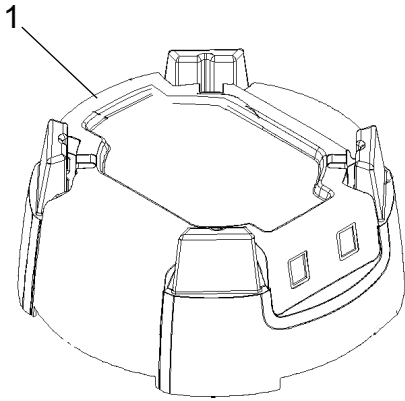
>>Means: New or changed ref. number or/and changed/new specifications.



06-10	MOTOR TOP- ONE MOTOR	BOOK B		
07-05	GWD 350, GWD 375	B	5.9.3	9

<u>Item.No.</u>	<u>Part No</u>	<u>Qty.</u>	<u>Description</u>	<u>Note</u>	<u>EAN code</u>
1	140 9533 500	1	Cover outer GWD 350/375		7319519640830
2	140 9527 500	2	Handle GWD 350/375	Screws incl.	7319519640823
3	140 8689 500	1	Fan unit 220-240V BP	Gaskets incl.	7319519639919
3	140 8689 510	1	Fan unit 100-127V BP	Gaskets incl.	7319519639926
4	140 7042 500	1	Internal wire		7319519640694
5	140 6560 500	1	Anti strain clip	Screws incl.	7319519640632
6	140 9537 500	2	Switch two pole		7319519639896
7	140 8680 500	1	Float basket	Adapter/Valve	7319519640700
8	140 9534 500	1	Cover fan unit GWD 350/375		7319519640847
9	12222501	1	Cord set EU 10M		5715492008056
9	12222503	1	Cord set UK 10 M		5715492008063
9	12222506	1	Cord set AU/NZ		5715492008070
9	12003805	1	Cord set JP/US		5715492003099
10	140 8691 500	2	Latch 2-p		7319519639889
11	140 9508 500	1	Chassis GWD 350/375	Sealing incl.	7319519640854
12	147 1119 500	1	Adapter for float basket	Wear protection	7319519660708
13	>>140 9529 500	1	Sound absorber		7319519660876

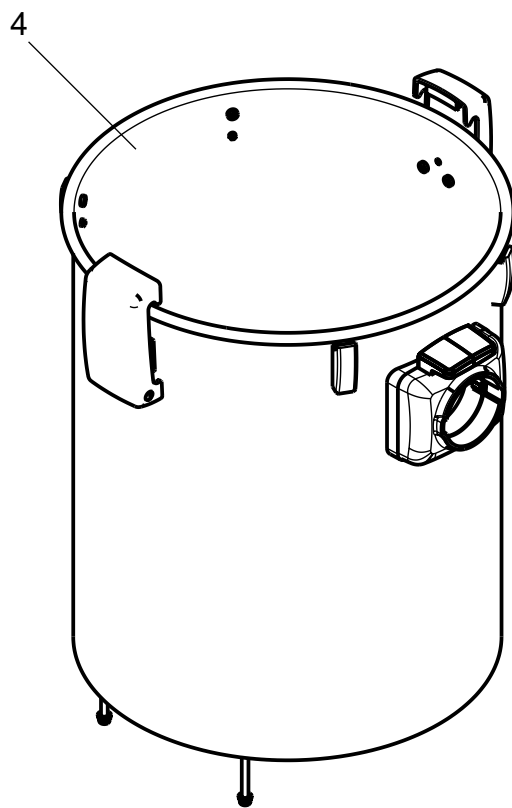
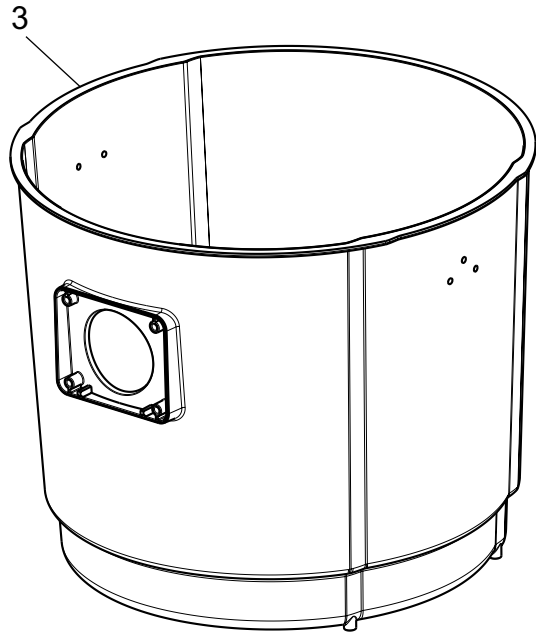
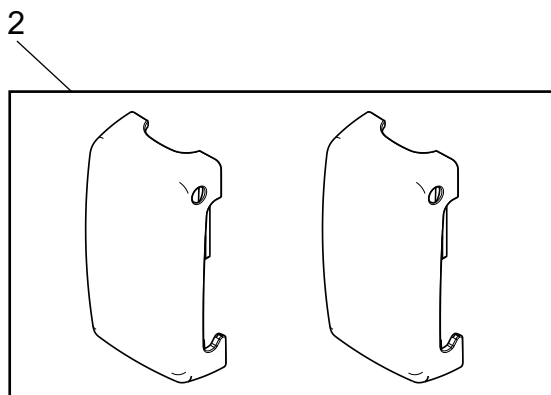
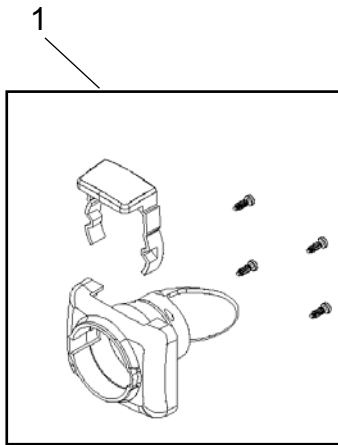
>>Means: New or changed ref. number or/and changed/new specifications.



06-10	MOTOR TOP- TWO MOTOR	BOOK B		
07-05	GWD 350-2, GWD 375-2, GWD 375-2 STEEL	B	5.9.3	11

Item.No.	Part No	Qty.	Description	Note	EAN code
1	140 9531 500	1	Cover outer GWD 350/375 2 fan units		7319519640885
2	140 9527 500	2	Handle GWD 350/375	Screws incl.	7319519640823
3	140 8689 500	1	Fan unit 220-240V BP	Gaskets incl.	7319519639919
3	140 8689 510	1	Fan unit 100-127V BP	Gaskets incl.	7319519639926
4	140 7620 530	1	Suppressor EU/UK/AU/NZ		7319519640892
5	140 6560 500	1	Anti strain clip	Screws incl.	7319519640632
6	140 9537 500	2	Switch two pole		7319519639896
7	140 8680 500	1	Float basket		7319519640700
8	140 9523 500	1	Cover fan unit GWD 350/375 2-motor version		7319519640908
9	12222501	1	Cord set EU 10M		5715492008056
9	12222503	1	Cord set UK 10 M		5715492008063
9	12222506	1	Cord set AU/NZ		5715492008070
9	12003805	1	Cord set JP/US		5715492003099
10	140 9508 510	1	Chassis GWD 350-2/375-2 Two motor version		7319519640861
11	140 8691 500	2	Latch 2-p		7319519639889
13	140 9526 500	2	Valve disc GWD 350/375		7319519640878
14	147 1119 500	1	Adapter for float basket	Wear protection	7319519660708
15	>>140 9529 500	1	Sound absorber		7319519660876

>>Means: New or changed ref. number or/and changed/new specifications.

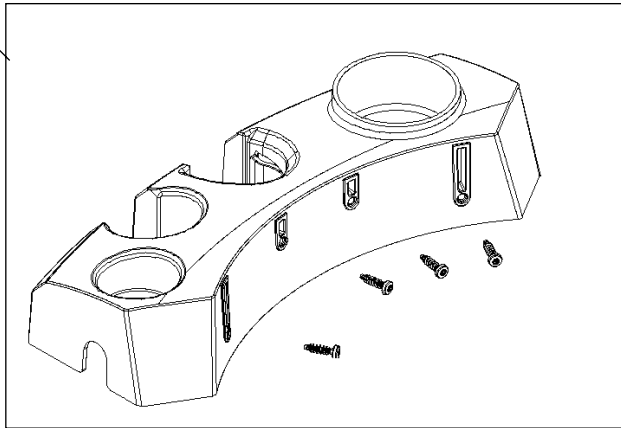


04-06	CONTAINER	BOOK B		
06-10	GD 320, GWD 320, GWD 335, GWD 335 STEEL	B	5.9.3	13

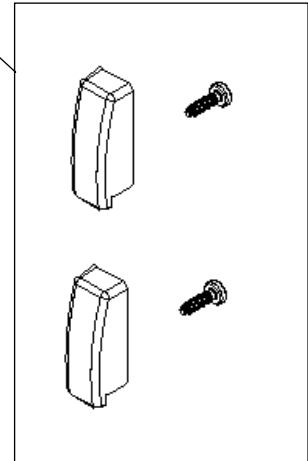
<u>Item.No.</u>	<u>Part No</u>	<u>Qty.</u>	<u>Description</u>	<u>Note</u>	<u>EAN code</u>
1	140 7204 500	1	Inlet GWD 300-series		7319519640939
2	140 8691 500	2	Latches 2-p, plastic	320/335	7319519639889
3	140 8660 500	1	Container, plastic 20 L	Screws incl.	7319519640700
3	140 8672 500	1	Container, plastic 35 L	Screws incl.	7319519640922
4	>>147 1122 500	1	Container, steel 35 L	Screws incl.	7319519660715

>>Means: New or changed ref. number or/and changed/new specifications.

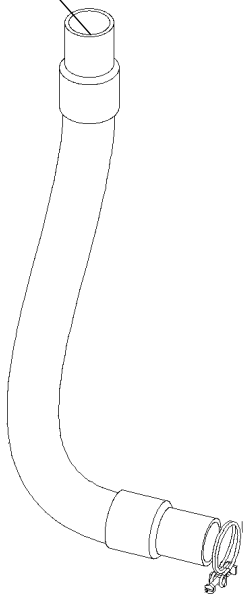
1



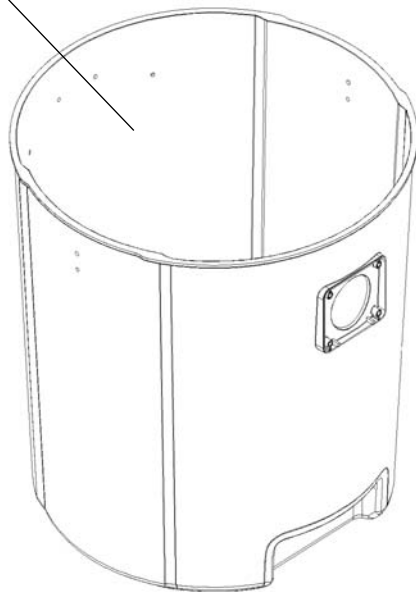
2



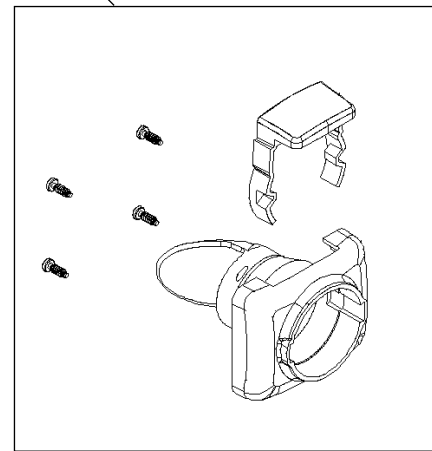
3



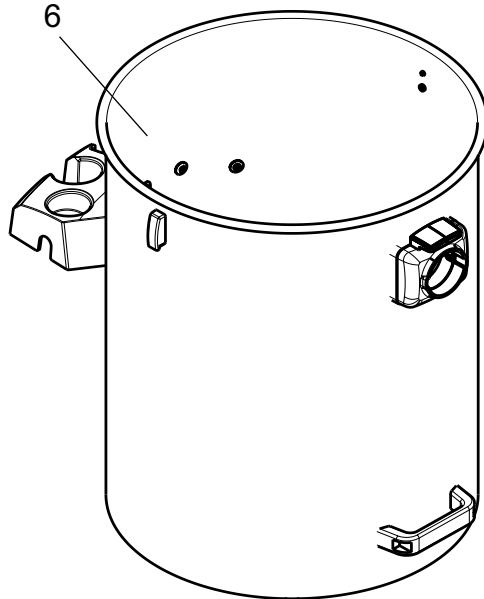
4



5



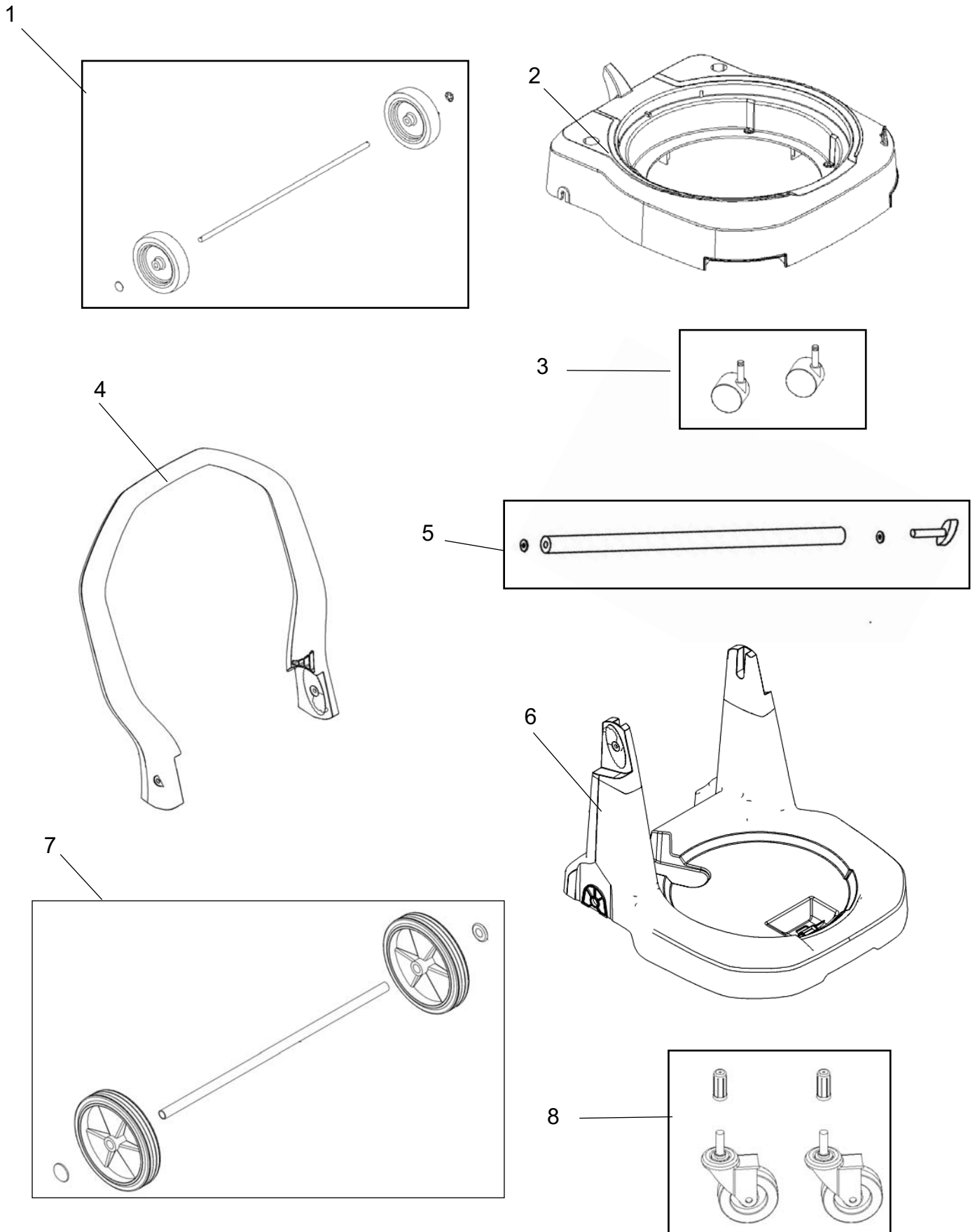
6



04-06	CONTAINER	BOOK B		
06-10	GWD 350, GWD 375, GWD 375 STEEL	B	5.9.3	15

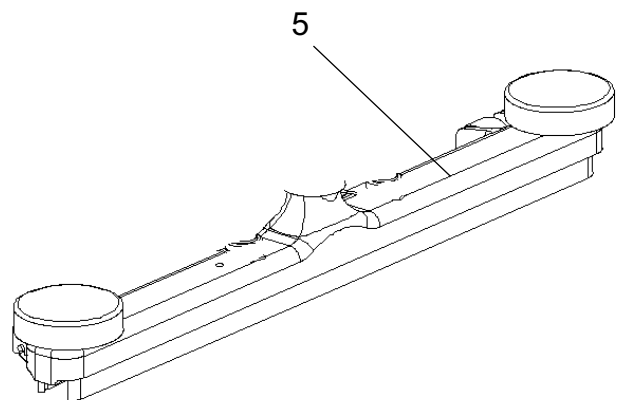
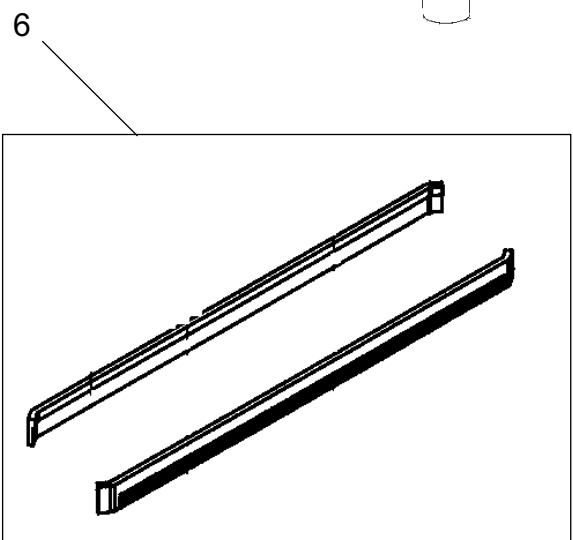
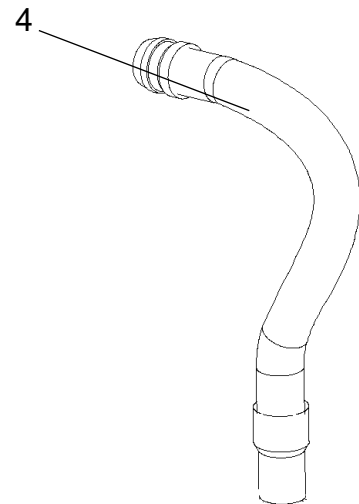
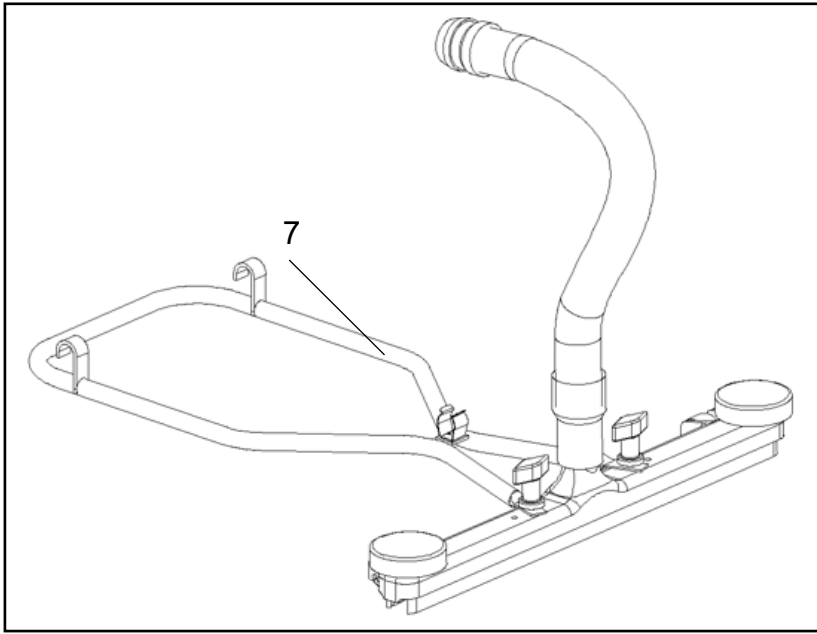
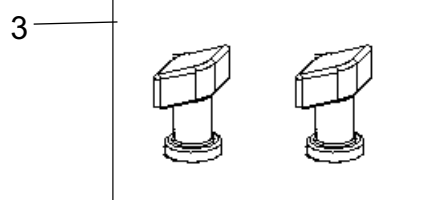
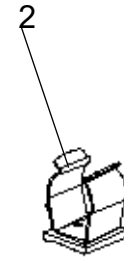
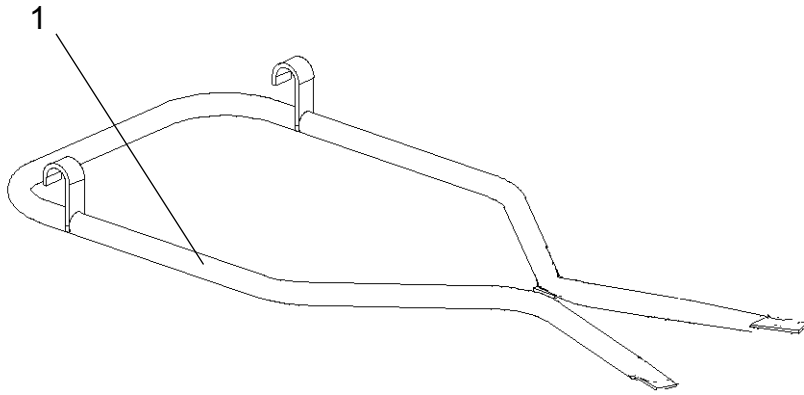
Item.No.	Part No	Qty.	Description	Note	EAN code
1	140 9517 500	1	Bracket, container	Screws incl.	7319519640977
2	140 8685 500	2	Hook container	Screws incl.	7319519640984
3	140 7604 500	1	Hose 32x530	GWD /375	7319519640946
4	140 9515 500	1	Container, plastic 50L	No drain outlet	7319519640960
4	140 9514 500	1	Container, plastic 75L	Drain outlet	7319519640991
5	140 7204 500	1	Inlet GWD 300-series		7319519640939
6	>> 147 1123 500	1	Container steel, 75 L		7319519660746

>>Means: New or changed ref. number or/and changed/new specifications.



04-06	TROLLEYS	BOOK B		
	GD 320, GWD 320, GWD 335, GWD 350 & GWD 375	B	5.9.3	17

Item.No.	Part No	Qty.	Description	Note	EAN code
GD 320 GWD 320, GWD 335					
1	140 8446 600	2	Wheel rear 2-p.	Shaft incl.	7319519639902
2	140 8662 500	1	Frame for trolley		7319519641004
3	140 6422 500	2	Wheel, link 50 mm	2 pcs.	7319519631760
GWD 350 & GWD 375					
4	140 9519 500	1	Handle, trolley		7319519641011
5	140 9544 500	1	Shaft Ø18mm	Screws incl.	
6	140 9518 500	1	Frame, trolley		7319519641035
7	140 8156 500	2	Wheel, trolley Ø200mm	Shaft incl.	7319519641042
8	140 5476 500	2	Wheel, link trolley	Sleeves incl.	7319519641059



04-06	FRONT NOZZLE	BOOK B		
05-02	GWD 350 & GWD 375 EU, UK, AU/NZ, JP	B	5.9.3	19

No.	Prod.nr.	Qty.	Description	EAN code
1	140 9546 500	1	Frame, front nozzle	7319519641110
2	140 9558 500	1	Clamp Ø 22 mm	7319519641103
3	140 7947 500	2	Nut, thumb 5/16	7319519641097
4	140 2148 500	1	Hose, d 38 MM1 1/2 ", 500mm GW 350/375	7319519641080
5	56209088	1	Squeegee 24"	
6	56105533	2	Blade, 24" 60 cm	
7 >>	140 9556 500	1	Front nozzle cpl. with hose	7319519641066

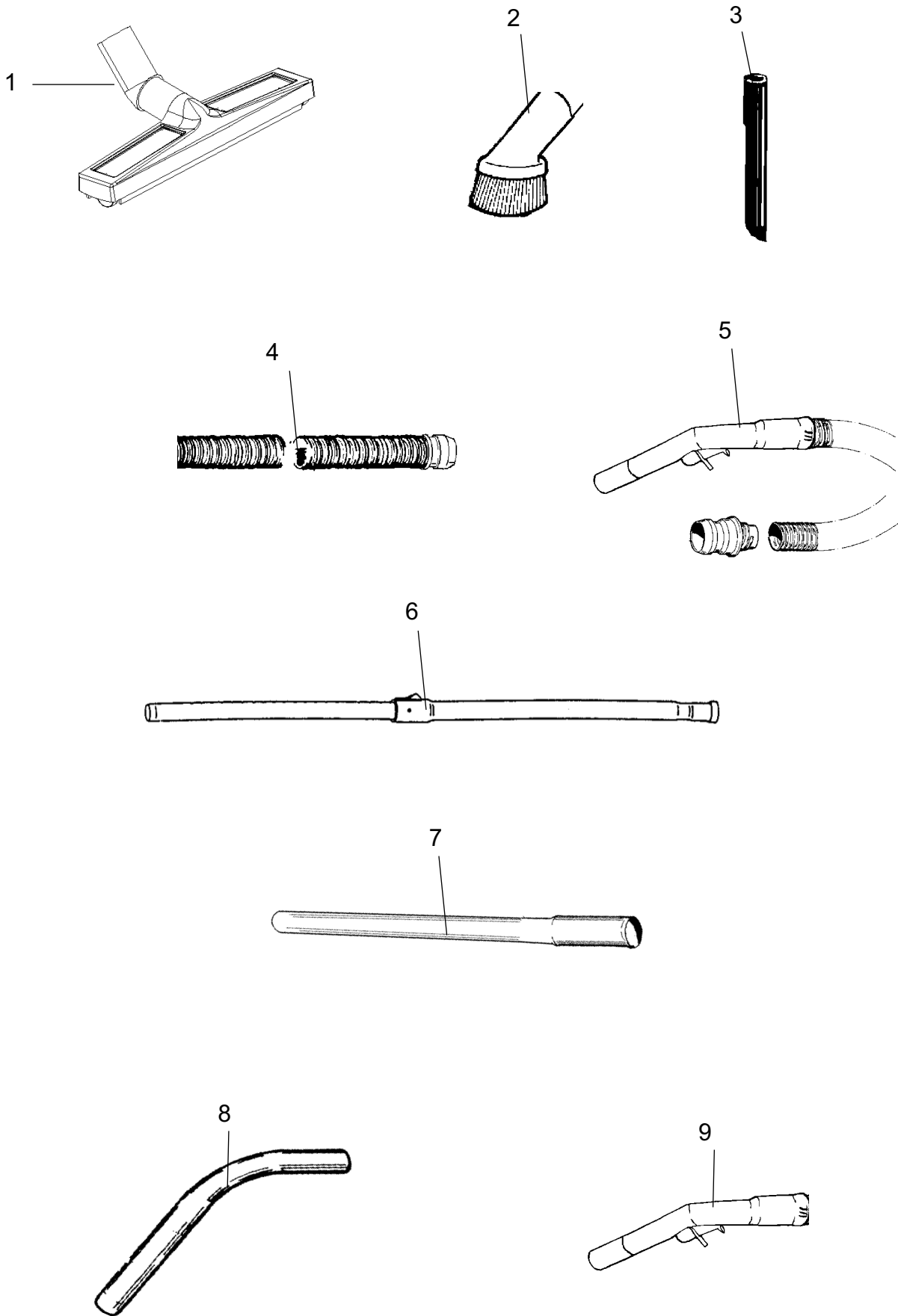
>> Means: New or changed ref. number or/and changed/new specifications

B

5.9.3

20

GD 320, GWD 320, GWD 335, GWD 350 & GWD 375

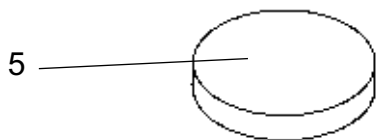
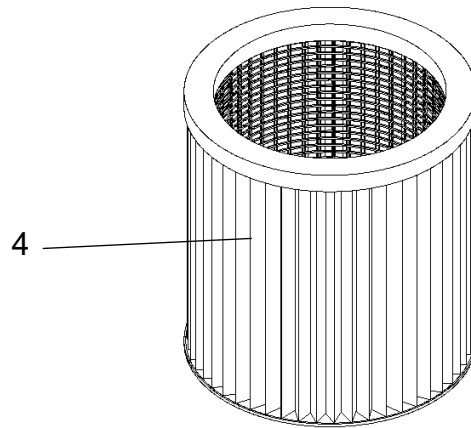
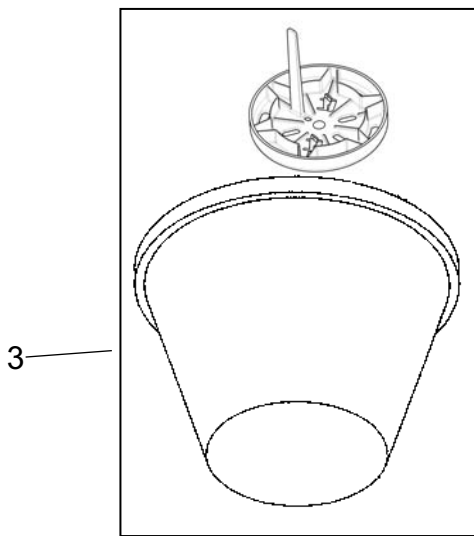
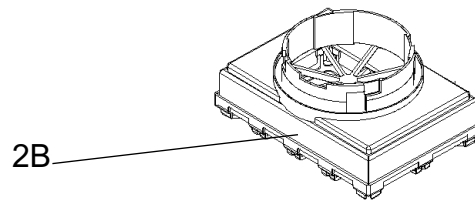
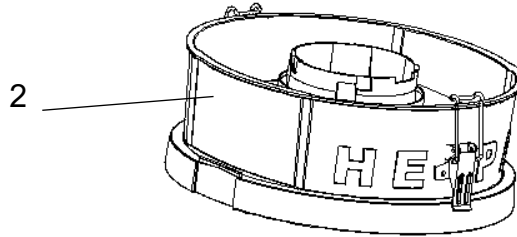
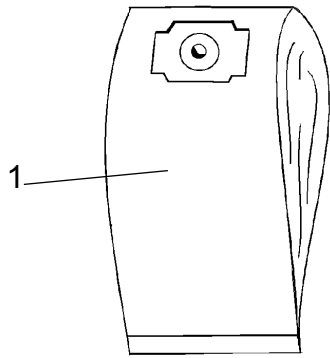


Item.No.	Part No	Qty.	Description	Note	EAN code
1	140 9598 500	1	Wet nozzle D 32 mm	Rubber strip	7319519639858
1	140 9598 520	1	Wet nozzle D 40 mm	Rubber strip	7319519641127
1	140 9598 510	1	Dry Nozzle, brush D 32 mm		7319519639865
1	140 9598 530	1	Dry nozzle, brush D 40 mm		7319519641134
2	140 8244 000	1	Brush nozzle D 32 mm		7319519412000
3	140 8012 000	1	Crevice nozzle D 32 mm		7319519607895
3	140 9599 500	1	Crevice nozzle D 40 mm	Black	7319519641141
4	140 9595 500	1	Hose plastic D 40 mm	Snap in coupl.	7319519641158
5	140 6430 500	1	Hose plastic D 32 mm	Snap in coupl.	7319519631869
6	81906500	1	Telescopic tube D 32 mm		7315492011872
7	140 8246 040	1	Extension tube steel D 32 mm	Black L=500 mm	7319519607864
7	140 9597 500	1	Extension tube steel D 40 mm	Black L=500 mm	7319519641165
8	140 9596 500	1	Hose handle D 40 mm	Mat.: Steel	7319519641172
9	140 7584 500	1	Hose handle D 32 mm	Mat.:Plastic	7319519631999

NOTE

Ø32 mm accessories for GD 320, GWD 320 GWD 335.

Ø40 mm accessories for GWD 350 and GWD 375.



05-07	FILTER AND DUST BAGS	BOOK B		
06-10	GD 320, GWD 320, GWD 335, GWD 350 & GWD 375	B	5.9.3	23

Item.No.	Part No	Qty.	Description	Note	EAN code
1	147 0745 010	3	Dust bags, paper	3 pcs. for 320 and 335	5715492032143
1	147 0746 010	3	Dust bags, paper	3 pcs. for 350 and 375	5715492032167
2	140 8670 500	1	Cover HEPA		7319519647235
2B	140 8678 500	1	Filter HEPA	Filter only	7319519644807
3	>>140 8658 500	1	Filter sack	For GWD 320, 335	7319519639933
3	>>140 8658 520	1	Filter sack Nylon	For Craftsman versions	7319519656664
3	>>140 9512 500	1	Filter sack	For GWD 350, 375	7319519641387
3	140 8658 510	1	Filter sack	For GD 320	7319519639940
4	140 8686 500	1	Filter Cartridge	For all models	7319519641189
5	140 8682 500	1	Filter for motor	For all models	7319519639872

>>Means: New or changed ref. number or/and changed/new specifications.