

MX 307 H

Model:
MX 307 H



Part List US-English

23-08-2012

Table of Contents

MX 307 H

MX 307H Extractor	3
Accessories	5
Hand Tool	7
CARPET SCRUB WAND 13 HEAD	9
Carpet Scrub Wand	11

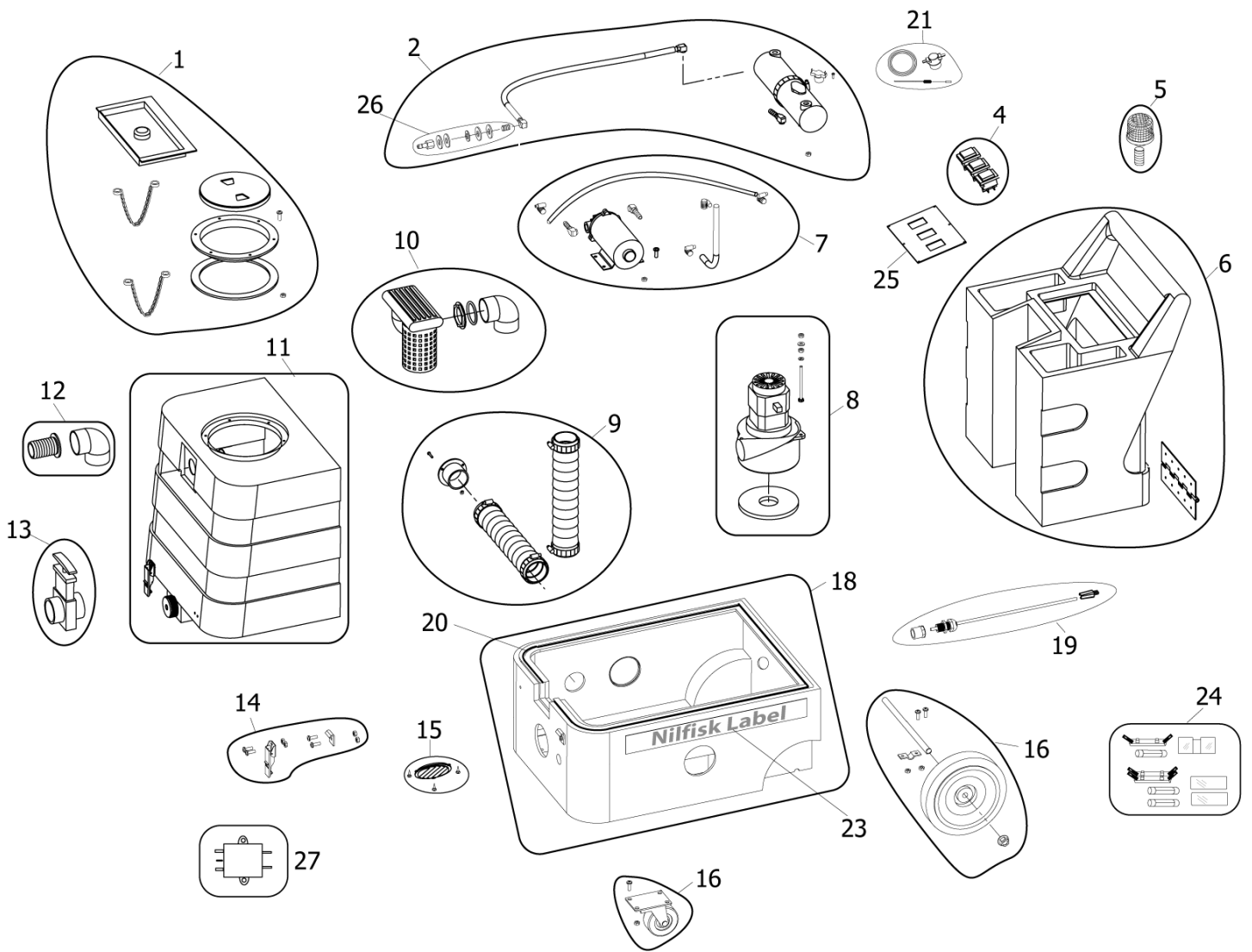
MX 307H Extractor

MX 307 H

23-08-2012

Part List ID
MX307H2

3



MX 307H Extractor

MX 307 H

23-08-2012

Part List ID
MX307H2

4

Pos	Part no.	Qty	Description	
1	600730701	1	LID KIT VACUUM HOLDING TAN	
2	600730703	1	HEATER KIT COBRA H3 UK	
4	600730704	1	SWITCH KIT COBRA H3	
5	600730705	1	FILTER KIT COBRA H3	
6	600730706	1	HOLDING TANK KIT COBRA H3	
7	600730707	1	PUMP KIT COBRA H3	
8	600730708	1	VACUUM MOTOR KIT COBRA H3	
9	600730709	1	HOSE KIT COBRA H3	
10	600730710	1	BALL FLOAT KIT COBRA H3	
11	600730711	1	HOLDING TANK KIT DRILLED COBRA	
12	600730712	1	VACCUM INLET KIT COBRA H3	
13	600730713	1	DRAIN GATE KIT COBRA H3	
14	600730714	1	LATCH KIT COBRA H3	
15	600730715	1	LOUVER KIT COBRA H3	
16	600730716	2	CASTOR KIT COBRA H3	
17	600730717	1	WHEEL KIT COBRA H3	
18	600730718	1	BASE KIT COBRA H3	
19	600730719	1	POWER CORD KIT COBRA H3	EU Plug
19	600730722	1	POWER CORD KIT COBRA H3 UK	UK Plug
20	600730720	1	GASKET KIT COBRA H3	
21	600730721	1	HEATER REPAIR KIT COBRA H3	
23	600730723	1	LABEL KIT COBRA H1	
24	600730724	1	KIT FUSE COBRA H3	
25	600730725	1	KIT SWITCH PLATE MX307H	
26	600730726	1	KIT QUICK DISCONNECT	
27	600715007	1	FILTER RFI ELECTRICAL NOISE	

Accessories

MX 307 H

23-08-2012

Part List ID
MX307H4

5



Accessories

MX 307 H

23-08-2012

Part List ID
MX307H4

6

Pos	Part no.	Qty	Description
1	600203099	1	EVOLUTION WAND 21 28 BAR
1	CSW-13-150	1	CARPET SCRUB WAND 13HEAD 150
1	CSW-13-300	1	CARPET SCRUB WAND 13HEAD 300
1	CSW-13-500	1	CARPET SCRUB WAND 13HEAD 500
2	600700003	1	HAND TOOL S/S FOR DETAILING
3	600709908	1	FILTER IN LINE FOR 13 EVOLUT
4	600709906	1	KIT STRAP HOOK AND LOOP EVOLUT
5	600730730	1	VACUUM HOSE ASSEMBLY . 4.5 M
5	600730731	1	PRESSURE LINE ASSY 4.5 M FOR
6	600709910	1	SPRAY TIP SIZE 11003

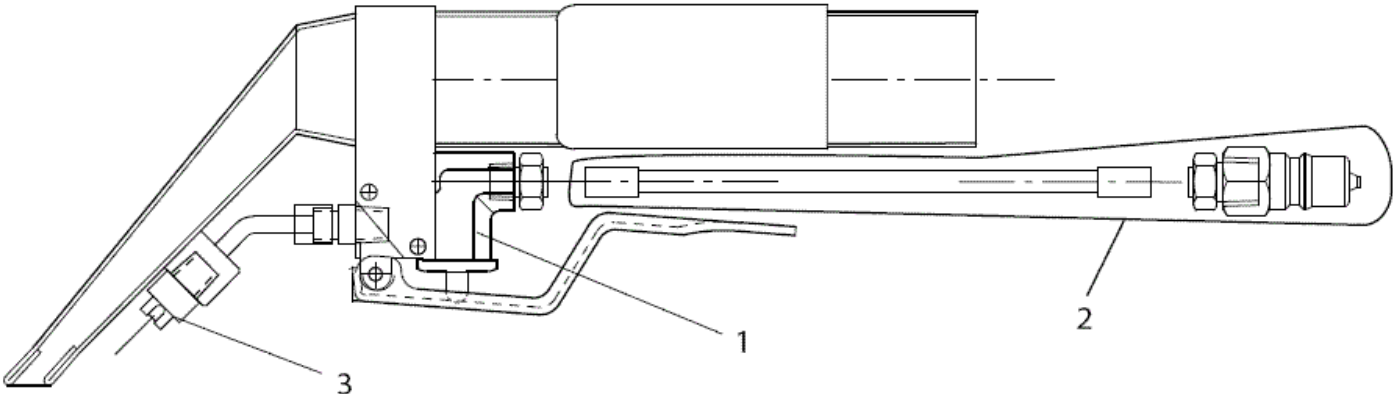
Hand Tool

MX 307 H

23-08-2012

Part List ID
HSC5858

7



Hand Tool

MX 307 H

23-08-2012

Part List ID
HSC5858

8

Pos	Part no.	Qty	Description
1	600700305	1	VALVE REPLACEMENT KIT 400 PSI
2	600700306	1	HOSE ASSEMBLY WITH QD
3	337USP	1	SPRAY TIP FOR HT 3 TEEJET 800

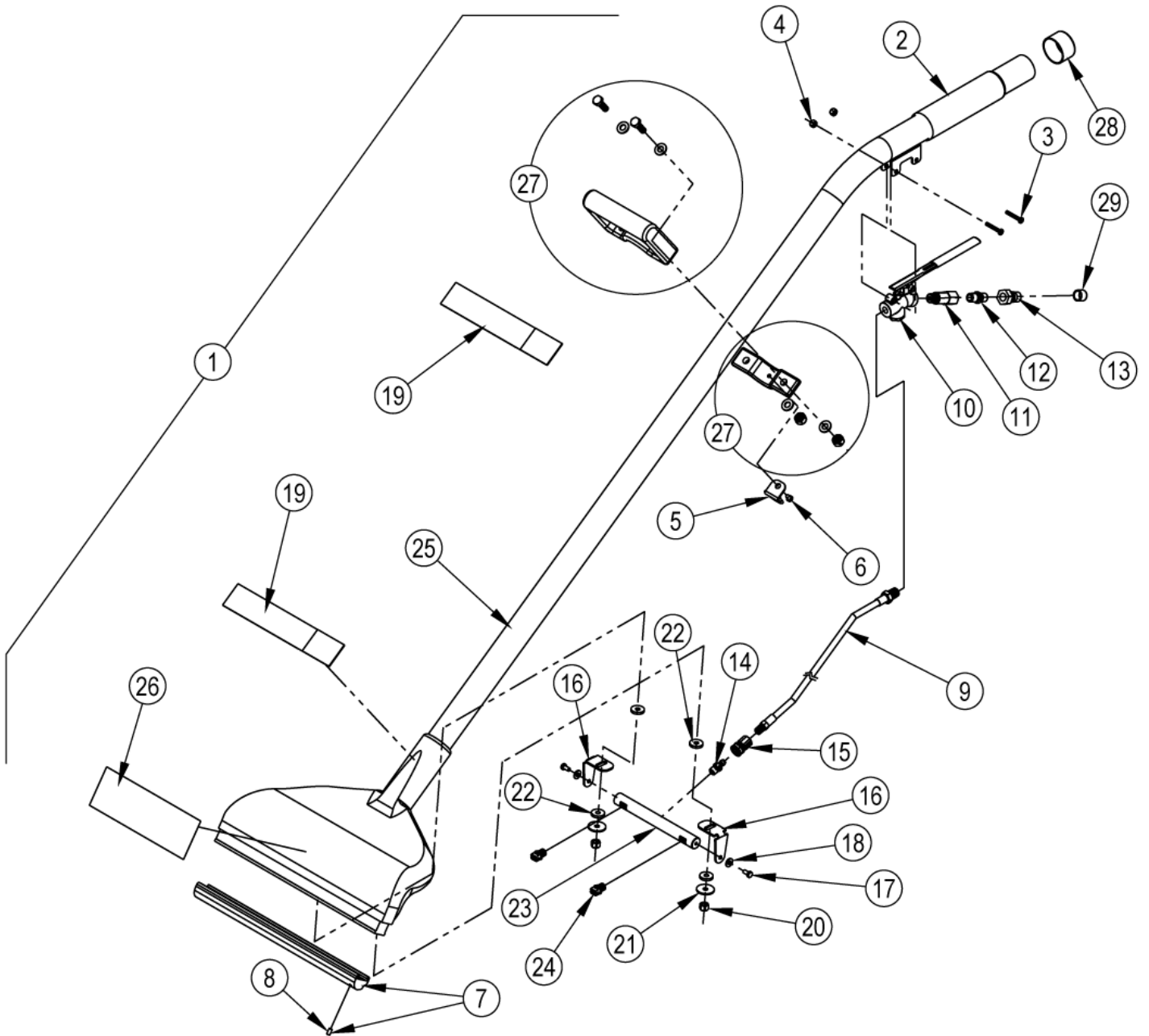
CARPET SCRUB WAND 13 HEAD

MX 307 H

23-08-2012

Part List ID CSW1302

9



CARPET SCRUB WAND 13 HEAD

MX 307 H

23-08-2012

Part List ID
CSW1302

10

Pos	Part no.	Qty	Description
1	CSW-13-150	1	CARPET SCRUB WAND 13HEAD 150
1	CSW-13-300	1	CARPET SCRUB WAND 13HEAD 300
1	CSW-13-500	1	CARPET SCRUB WAND 13HEAD 500
2	1153A	1	SLEEVE 6 LONG X 1 1/2 DIA
3	1156	2	SCREW 8 32 X 1 1/8 LONG P
4	56002877	2	NUT HEX NYL LOC SS 8 32
5	1394	1	D RING BRACKET HOSE/POWER A
6	1588	1	BOLT 10 32 X 1/4 HEX HEAD S
7	FP638	1	GLIDE SLOTTED DELRIN 13 EVO
8	1591	1	SCREW SET 10 24 S/S 3/8 LO
9	FP557	1	PRESSURE LINE ASSEMBLY FOR EVO
10	600709901	1	VALVE REBUILD KIT 1200 PSI 8
10	85LUSP	1	VALVE BRASS CONTROL W/VINYL S
11	299USP	1	FILTER IN LINE BRASS 1/4 M
12	98838A	1	HEX BRASS NIPPLE 1/4
13	45USP	1	QUICK DISCONNECT PLUG 1/4 NPT
15	222USP	1	QUICK DISCONNECT SOCKET BRAS
16	2099	2	BRACKET SPRAY MANIFOLD MOUNT
17	1588A	2	BOLT 10 32 X 3/8 HEX HEAD S/
18	87036A	2	WASHER FLAT 10 S.S.
19	1586	2	STRAP HOSE VELCRO 8.5 X 1.5
20	56002491	2	NUT HEX NYL LOC SS 1/4 20
21	56009060	2	WSH FLT SS .260X1.000X.074
23	2098	1	MANIFOLD S/S 1/4 NPT X 1/4 TUB
24	1587	2	SPRAY TIP BRASS 11001 V JET
24	1587A	2	SPRAY TIP BRASS 110015 V JET
24	188B	2	SPRAY TIP 11003 1/8 NPT BR
25	FEW-13	1	FLOOD EXTRACTOR WAND 13 EVOL.
26	3060A	1	LABEL EVOLUTION 7.5 X 2.4
27	56380459	1	GRAB HANDLE ASSEMBLY AQUAWAND

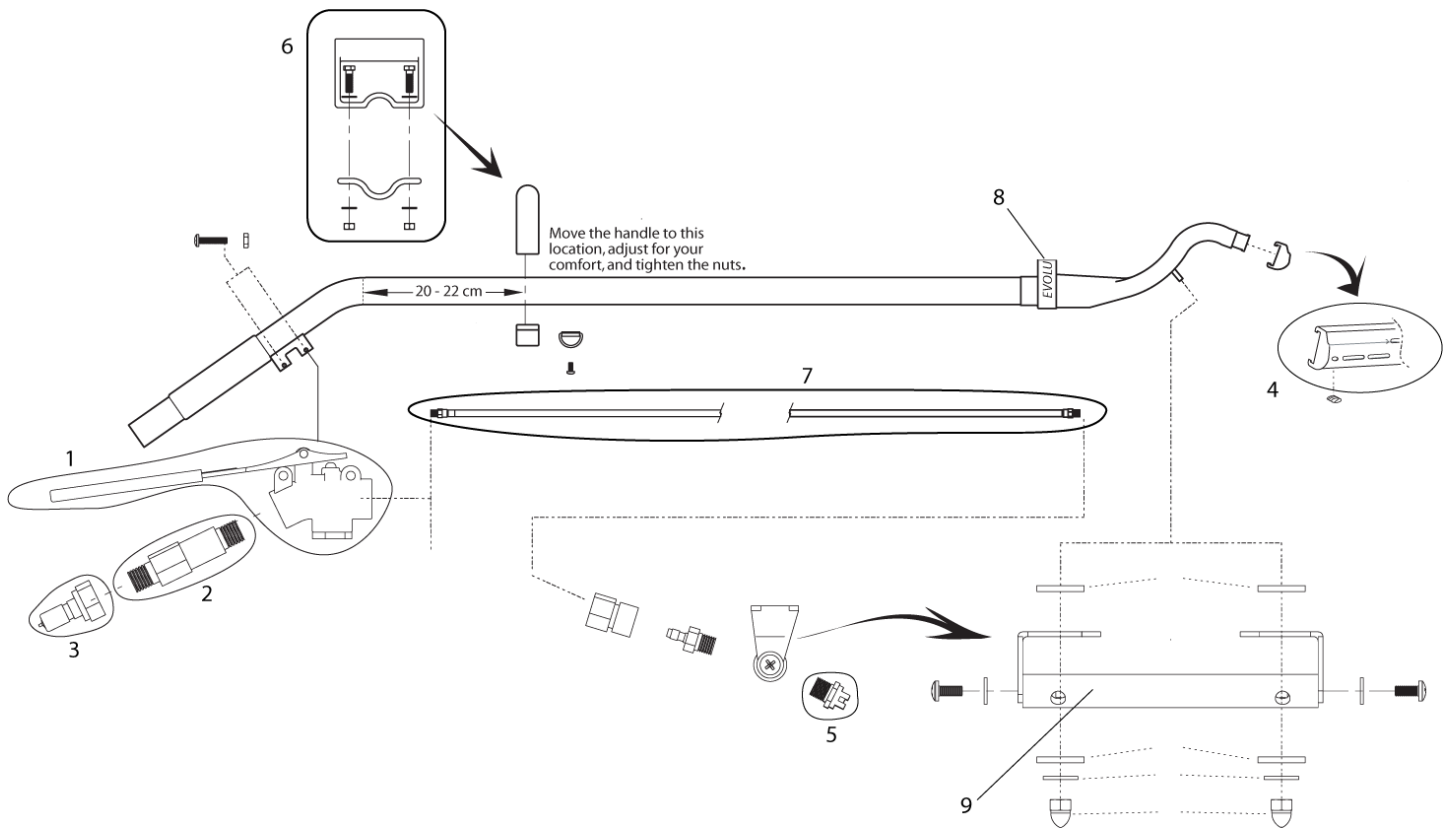
Carpet Scrub Wand

MX 307 H

23-08-2012

Part List ID
60020309902

11



Carpet Scrub Wand

MX 307 H

23-08-2012

Part List ID
60020309902

12

Pos	Part no.	Qty	Description
0	600709901	1	VALVE REBUILD KIT 1200 PSI 8
1	600709913	1	VALVE REPLACEMENT 85L
2	600709908	1	FILTER IN LINE FOR 13 EVOLUT
3	600709909	1	QUICK DISCONNECT MALE 45
4	600709904	1	KIT GLIDE REPLACEMENT EVOLUTIO
5	1587A	1	SPRAY TIP BRASS 110015 V JET 21 BAR
5	188B	1	SPRAY TIP 11003 1/8 NPT BR 7 BAR
6	56380459	1	GRAB HANDLE ASSEMBLY AQUAWAND
7	600709903	1	PRESSURE LINE REPLACEMENT EVOL
8	600709906	1	KIT STRAP HOOK AND LOOP EVOLUT
9	600709907	1	MANIFOLD REPLACEMENT 13 EVO