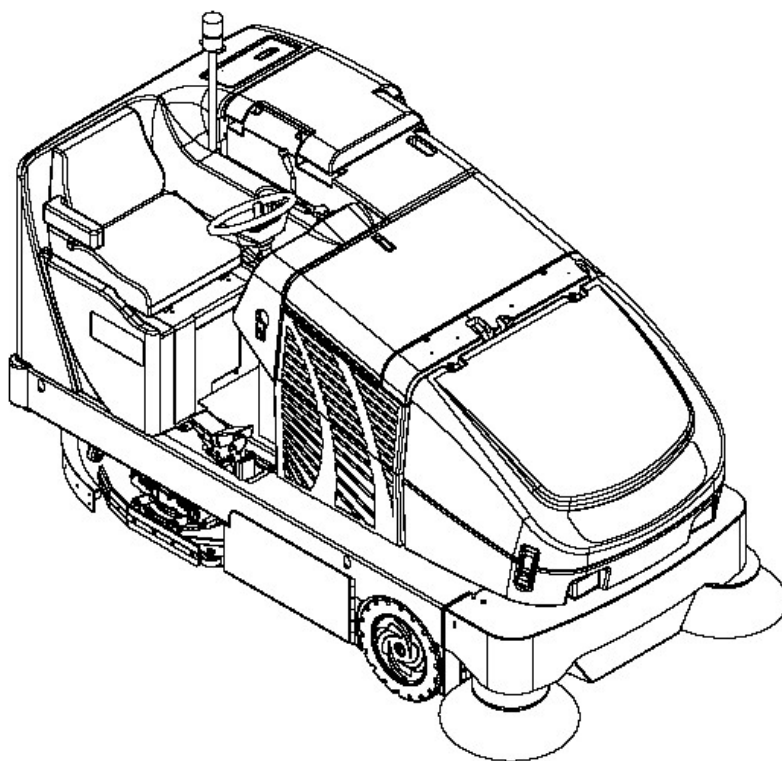


CR 1100B / 1200B

Model:
CR 1100 B
CR 1200 B



Part List US-English

23-11-2012

Table of Contents

CR 1100B / 1200B

Chassis System - Main Parts	3
Chassis System Sub-Assemblies - Main Parts	6
Control System - Main Parts	8
Control System Sub-Assemblies - Main Parts	10
Decal System - Main Parts	13
Drive System - Main Parts	15
Dust Control System - Main Parts	17
Electrical System - Main Parts	19
Electrical system Sub-Assemblies - Main Parts	22
Front Wheel System - Main Parts	24
Hopper system - Main Parts	26
Hopper System Sub-Assemblies - Main Parts	29
Hydraulic System 1 - Main Parts	31
Hydraulic System 2 - Main Parts	33
Main Broom System - Main Parts	35
Main Broom System Sub-Assemblies - Main Parts	38
Recovery System - Main Parts	41
Recovery Tank Assembly CR 1100B - Main Parts	43
Recovery Tank Assembly CR 1200B - Main Parts	46
Scrub System - Main Parts	49
Scrub System Skirt-Assemblies - Main Parts	52
Side Broom System - Main Parts	54
Side Broom System Sub-Assembly - Main Parts	56
Solution System CR 1100B - Main Parts	59
Solution System CR 1200B - Main Parts	62
Solution System Sub-Assemblies - Main Parts	65
Squeegee System CR 1100B - Main Parts	67
Squeegee System CR 1200B - Main Parts	69
Squeegee Assembly - Main Parts	71
Steering System 1 (before april 2009) - Main Parts	73
Steering System 2 (before april 2009) - Main Parts	76
Steering system (after march 2009) - Main Parts	78
Wiring Diagram - 1 (Before SN1779197) - Main Parts	81
Wiring Diagram - 2 (Before SN1779197) - Main Parts	84
Wiring Diagram - 1 (After SN1779196) - Main Parts	87
Wiring Diagram - 2 (After SN1779196) - Main Parts	90
Wiring diagram-3 (After March 2009) - Main Parts	93
Optional kits and Accessories - Main Parts	95
Beacon Kit (CR 1200B) - Main Parts	98

Table of Contents

CR 1100B / 1200B

Beacon Kit (CR 1100B) - Main Parts	100
Back-Up Alarm kit - Main Parts	102
Broom Selector Guide - Main Parts	104
Brush Selector Guide - Main Parts	106
List of Kits - Accessories	108
Back-up alarm kit - Accessories	110
Beacon Kit - Accessories	112
Beacon Kit (60 Gallon) - Accessories	114
Broom Guard kit - Accessories	116
Cleanout Kit - Accessories	118
Curb Light Kit - Accessories	120
Fire extinguisher kit (Battery models) - Accessorie	122
High Durability Rear Wheel - Accessories	124
Hopper Filter Kit - Accessories	126
Temperature Switch Kit - Accessories	128
Overhead Guard kit - Accessories	130
Pre-Filter Grid kit - Accessories	132
Recovery inlet seal kit - Accessories	134
Seat kit, Battery models - Accessories	136
Seat belt kit - Accessories	138
Solution Fill Shutoff Kit (OBSOLETE) - Accessories	140
Solution Fill Shutoff Kit - Accessories	142
Solution Fill Shutoff Kit (60 Gallon) - Accessorie	144
Tower Bumper kit - Accessories	146
Under hood light kits - Accessories	148
Vacuum Wand Kit - Accessories	150
Chemical injection kit-12VDC (control box assy) -	152
Chemical injection kit-12VDC (pump assy) - Accesso	155
Chemical injection kit-36VDC (control box assy) -	157
Chemical injection kit-36VDC (pump assy) - Accesso	160
56305519 - Back-up Alarm Kit	162
56305517 - Hopper Filter Switch Kit	164
56305482 - Beacon Kit 48" and 54" models	166
56305881 - Beacon Kit 43" models	168
56305585 - Solution Fill Shutoff Kit	170
56305493 - Tower Bumper Kit	172
56305530 - Vacuum Wand Kit for CR 1200, 1400	174
56305530 - Vacuum Wand Kit for CR 1100	176
56305530 - Vacuum Wand Kit for CR 1100	178

Table of Contents

CR 1100B / 1200B

56305530 - Vacuum Wand Kit	180
56305530 - Vacuum Wand Kit	182
56305637 / 56303873 - Overhead Guard Kits	184
56305641 - Curb Light Kit	186
56305494 - Left Side / 56305495 - Right Side Broom	188
56305611 - W/O Switch / 56303381 - De Luxe Kit wit	190
56305794 - Pre-filter Grid Kit	192
56303362 - Trouble Lamp Kit	194
56303431 - Fire Extinguisher Kit	196
56303445 - Main Broom Belt Kit	198
56303445 - Main Broom Belt Kit	200
56305978 - Liquid Level Switch	202
56303572 - Cleanout Kit	204
56303579 - OH Guard Beacon Kit	206
56307221 - Recovery Inlet Seal Kit	208
56306145 - Chemical Injection Kit 36VDC	210
56306145 - Chemical Injection Kit 36VDC	212
56306145 - Chemical Injection Kit 36VDC	214
56306145 - Chemical Injection Kit 36VDC	216
56508773 Shaker Motor Kit	218
56380500 - SBW Steering Kit	220

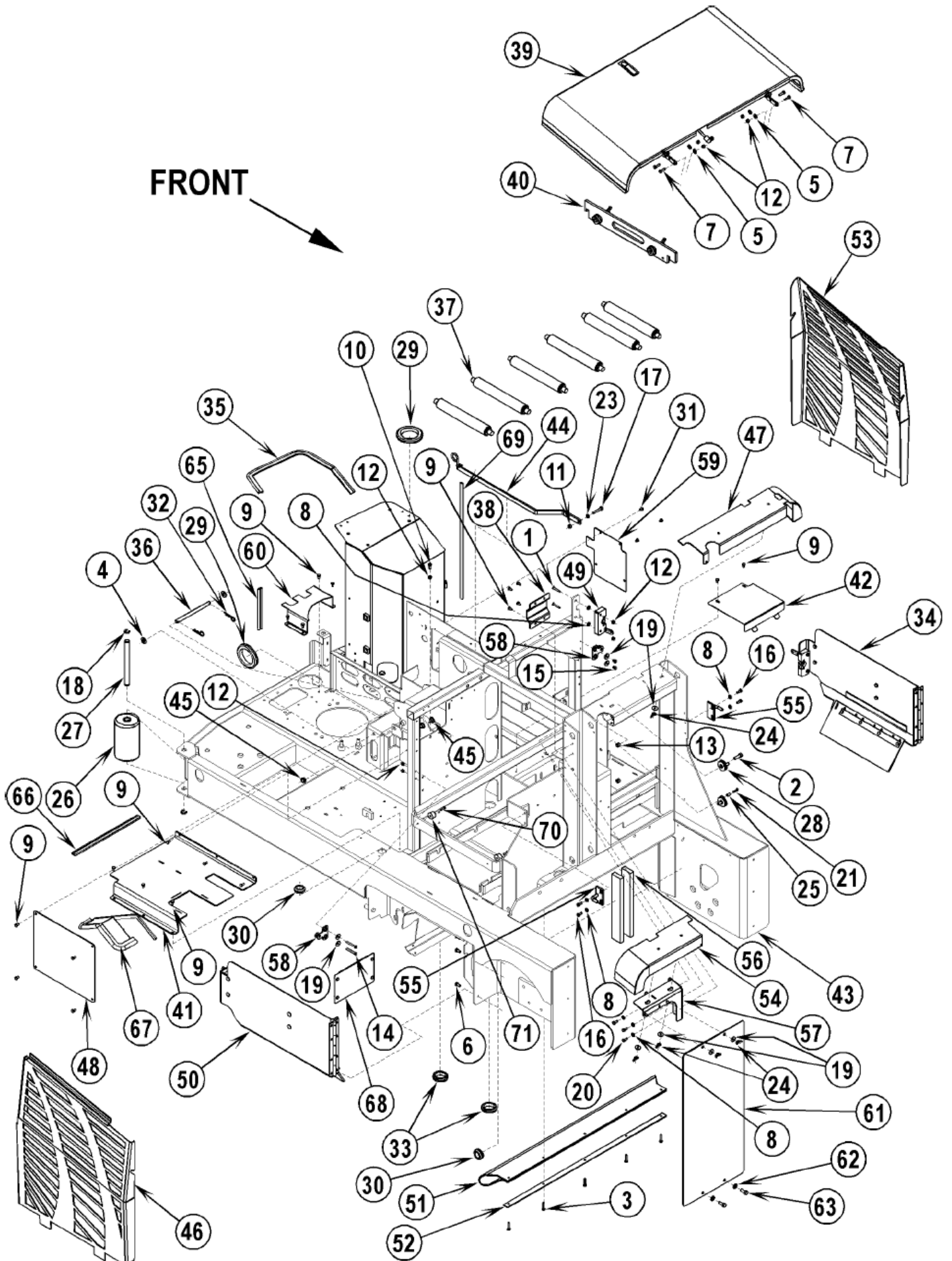
Chassis System - Main Parts

CR 1100B / 1200B

23-11-2012

Part List ID
E15313

3



Chassis System - Main Parts

CR 1100B / 1200B

23-11-2012

Part List ID
E15313

4

Pos	Part no.	Qty	Description
1	56002786	2	SCR PAN PHIL 1/4 20 X 1.50
2	56002095	2	SCR HEX 3/8 16 X 1.50
3	56001878	5	SCR HEX 1/4 20 X 1.25
4	56001879	2	WSH FLT SAE 1/2
5	56001906	4	WSH FLT STD 1/4
6	56002929	6	SCR HEX LOC 5/16 18 X .62
7	56002093	4	SCR HEX 1/4 20 X 1.00
8	56002098	9	WSH FLT SAE 1/4
9	56009033	20	SCR HEX THD FORM 1/4 20X.50
10	56002155	2	SCR HEX 1/4 20 X .75
11	56002701	1	NUT HEX NYL LOC 5/16 18
12	56002708	10	NUT HEX NYL LOC 1/4 20
13	56002769	2	NUT HEX NYL LOC 3/8 16
14	56001874	2	SCR HEX 1/4 20 X 2.00
15	56002933	2	SCR HEX LOC 1/4 20 X .38
16	56002948	4	SCR HEX LOC 1/4 20 X 0.75
17	56003005	1	SCR HEX 5/16 18 X 1.75
18	56003266	4	RING RET EXT TYPE E
19	56009002	10	WASHER FLAT .266X.906X.060
20	56009018	3	SCR HEX THD FORM 1/4 20X .75
21	56009038	2	SCRHEX THD FORM 10 24 X .88
23	56009086	1	NUT HEX JAM 5/16 18
24	56003089	6	NUT WING LOC 1/4 20
25	56200239	2	BUSHING .20X.37X.62HR2B
26	56409335	2	BUMPER ROLLER
27	56409336	2	PIN
28	56416546	2	SHIELDED PULLEY
29	56418198	2	GROMMET
30	56418199	2	GROMMET
31	56003603	4	SCR PAN PHILTHDFORM 1/4 20X.38
32	56003222	2	PIN COT HAIR .125 X DIA.50/.75
33	56056215	2	GROMMET E00059
34	56303143	1	LEFT BROOM DOOR ASSEMBLY
35	56303461	1	TRIM SEAL
36	56303205	1	PIN ACTUATOR MOUNT
37	56303228	6	ROLLER ASSEMBLY
38	56303229	1	GUARD HYDRAULIC HOSES
39	56303242	1	BATTERY COVER ASSEMBLY
40	56303307	1	BATTERY REMOVAL PLATE ASSEMBLY
41	56303312	1	FLOOR WELDMENT OPERATOR
42	56303315	1	COVER BROOM MOTOR
43	56303319	1	WELDMENT CHASSIS

see TSBUS2005-894

NOTE 1: Pos. No. 70 + 71 - Nilfisk models only, cannot be used on machines before SN 1823633. Items 70 and 71 are the components used in Battery Spacer Kit 56303559.

Chassis System - Main Parts

CR 1100B / 1200B

23-11-2012

Part List ID E15313

5

Pos	Part no.	Qty	Description	
44	56304473	1	PROP ROD LINKAGE WELDMENT	
45	56304519	3	BEARING FLANGE	
46	56305314	1	PANEL RIGHT EUROPEAN DXF	
47	56304692	1	TOP COSMETIC COVER WELDMENT	
48	56304787	1	COVER CONTROL BOX	
49	56304827	1	LATCH RH	
50	56304876	1	RIGHT BROOM DOOR ASSEMBLY	
51	56304926	1	BLADE DUMP DOOR SHIELD	
52	56304927	1	STRAP DUMP DOOR SHIELD	
53	56304958	1	PANEL LEFT	
54	56304968	1	TOP COVER WELDMENT	
55	56305095	2	LATCH WELDMENT	
56	56305197	2	GASKET	
57	56305281	1	WELDMENT COVER MOUNT	
58	56305331	2	WELDMENT PANEL LOCK	
59	56307168	1	PANEL BROOM LIFT ADJUST	
60	56303380	1	GUARD STEERING CHAIN	
61	56303384	1	COVER RUBBER	
62	56002063	2	WSH FLT SAE 3/8	
63	56002947	2	SCR HEX LOC 3/8 16 X 1.00	
65	56303462	1	GASKET	
66	56303463	1	GASKET	
67	56009019	2	SCR HEX THD FORM 1/4 20X .38	Not shown
67	56303449	1	SHIELD	Not shown
67	56303452	1	GASKET BULB	Not shown
67	56303453	1	GASKET	Not shown
67	56303454	1	SHIELD ASSEMBLY	
68	56009033	4	SCR HEX THD FORM 1/4 20X.50	Not shown
68	56303465	1	GASKET	Not shown
68	56303468	1	COVER	Not shown
68	56303494	1	COVER ASSEMBLY	
69	56303465	1	GASKET	
70	56009043	2	SCR PAN PHIL THD FORM10 24X.75	NOTE 1
71	56303558	2	BUMPER POLYETHYLENE	NOTE 1

NOTE 1: Pos. No. 70 + 71 - Nilfisk models only, cannot be used on machines before SN 1823633. Items 70 and 71 are the components used in Battery Spacer Kit 56303559.

Chassis System Sub-Assemblies - Main Parts

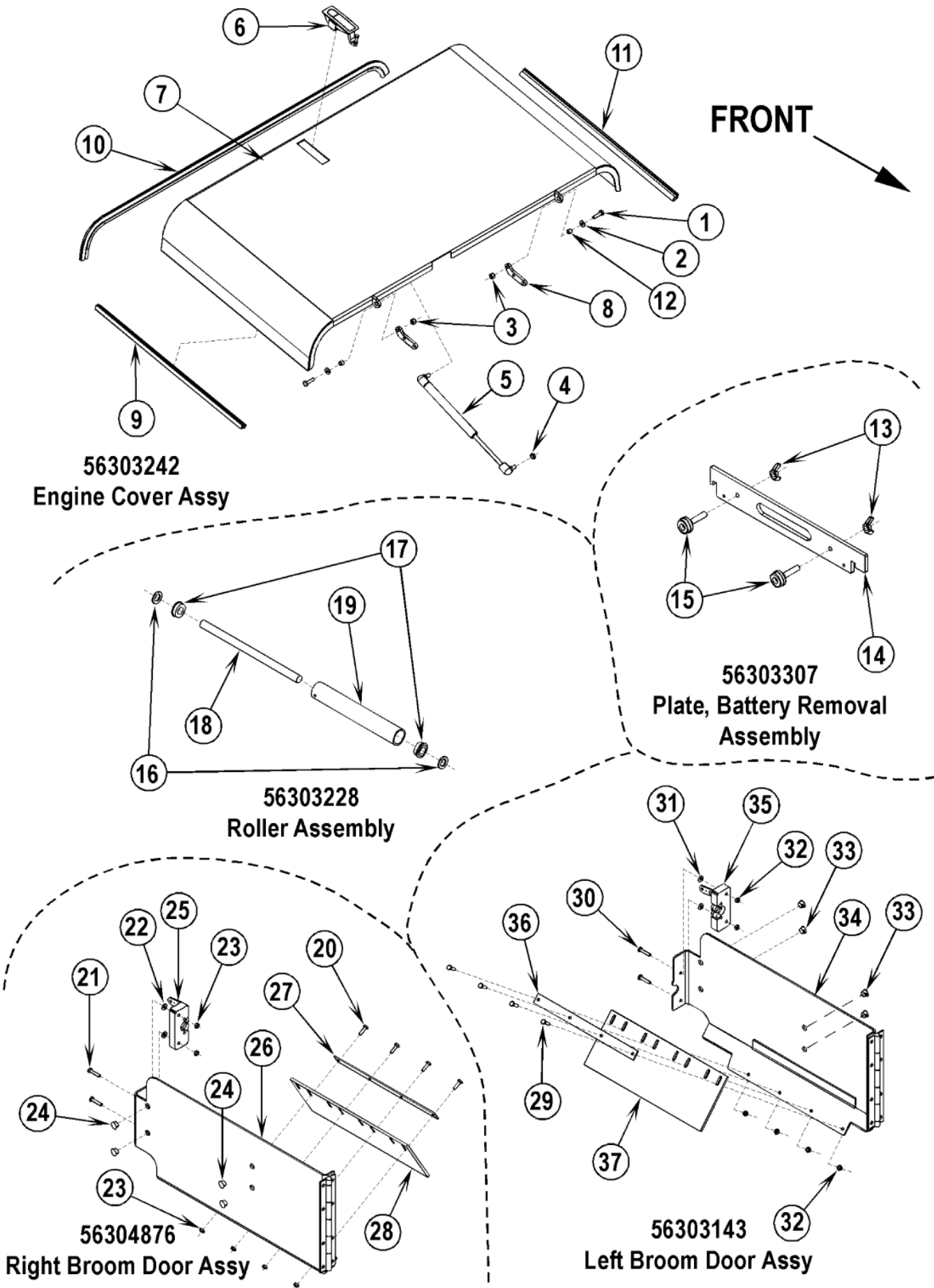
CR 1100B / 1200B

23-11-2012

Part List ID

E15315

6



Chassis System Sub-Assemblies - Main Parts

CR 1100B / 1200B

23-11-2012

Part List ID

E15315

7

Pos	Part no.	Qty	Description	
0	56303242	1	BATTERY COVER ASSEMBLY	items 1-12
1	56002093	2	SCR HEX 1/4 20 X 1.00	
2	56002098	2	WSH FLT SAE 1/4	
3	56002708	2	NUT HEX NYL LOC 1/4 20	
4	56002826	2	NUT HEX NYL LOC THIN 5/16 18	
5	56385238	1	CYLINDER HOOD	
6	56418471	1	DOOR LATCH	
7	56303241	1	COVER BATTERY WELDMENT	
8	56304690	2	HINGE ENGINE COVER FRONT	
9	56305268	1	TRIM SEAL	
10	56305269	1	TRIM SEAL	
11	56305502	1	TRIM SEAL	
12	56303307	1	BATTERY REMOVAL PLATE ASSEMBLY	items 13-15
12	56330027	2	BUSHING	
13	56003289	2	NUT WING 1 1/2 13	
14	56303156	1	PLATE BATTERY REMOVAL	
15	56303228	1	ROLLER ASSEMBLY	items 16-19
15	56449221	2	BUMPER 1.43 DIA. CV660N	
16	56009022	2	WSH FLT .752/.756X1.250X.125	
17	56362352	2	BEARING BALL .751 CA15D	
18	56303227	1	BAR	
19	56303226	1	ROLLER	
19	56304876	1	RIGHT BROOM DOOR ASSEMBLY	items 20-28
20	56001821	4	SCR HEX 1/4 20 X .88	
21	56001878	2	SCR HEX 1/4 20 X 1.25	
22	56002098	2	WSH FLT SAE 1/4	
23	56002840	6	NUT HEX NYL LOC THIN 1/4 20	
24	56418888	4	PLUG BUTTON	
25	56304827	1	LATCH RH	
26	56304877	1	RIGHT BROOM DOOR WELDMENT	
27	56304881	1	STRAP BROOM DOOR	
28	56303143	1	LEFT BROOM DOOR ASSEMBLY	items 29-37
28	56304882	1	SKIRT BROOM DOOR	
29	56001821	4	SCR HEX 1/4 20 X .88	
30	56001878	2	SCR HEX 1/4 20 X 1.25	
31	56002098	2	WSH FLT SAE 1/4	
32	56002840	6	NUT HEX NYL LOC THIN 1/4 20	
33	56418888	4	PLUG BUTTON	
34	56303150	1	LEFT BROOM DOOR WELDMENT	
35	56304826	1	LATCH LH	
36	56304881	1	STRAP BROOM DOOR	
37	56304882	1	SKIRT BROOM DOOR	

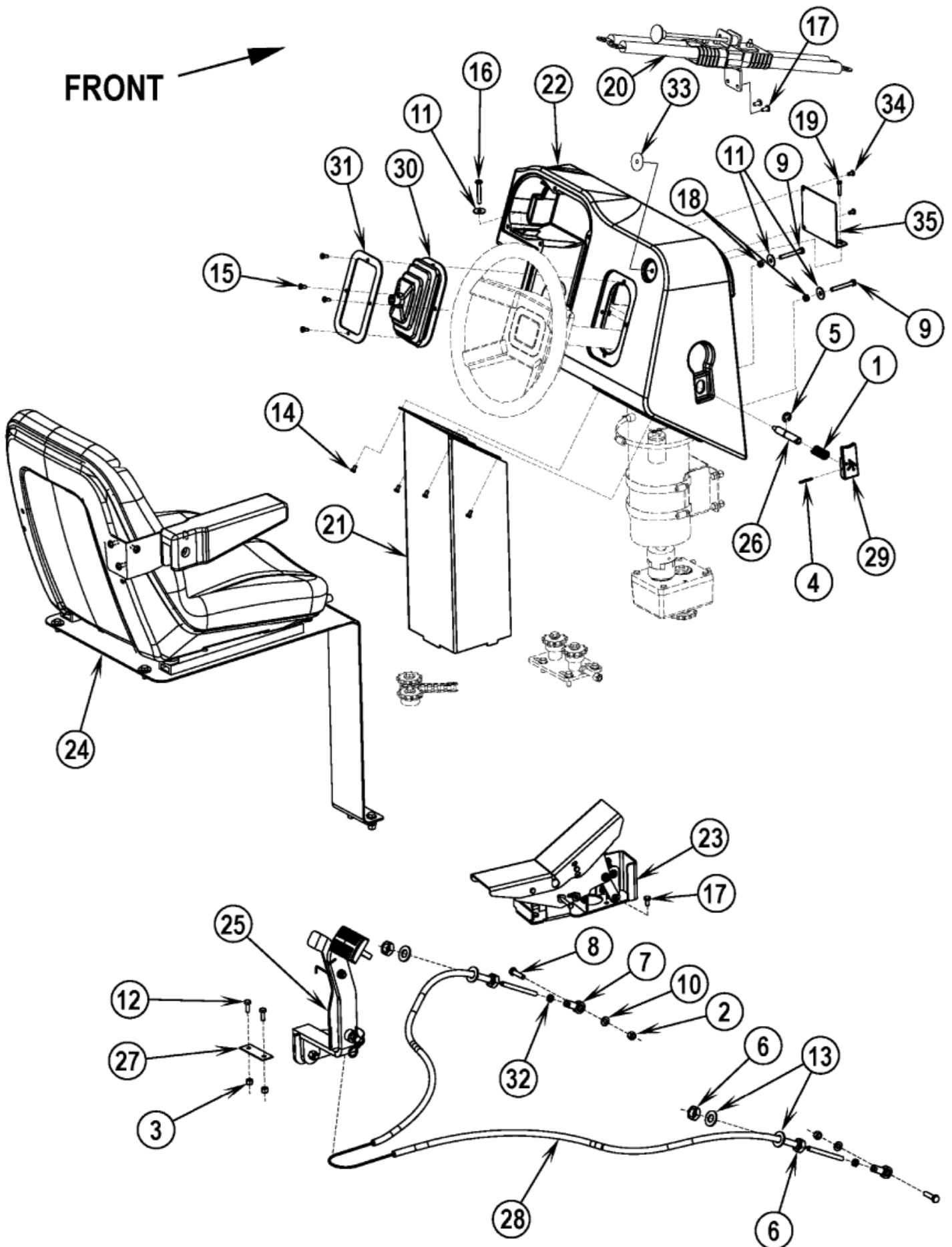
Control System - Main Parts

CR 1100B / 1200B

23-11-2012

Part List ID
E15317

8



Control System - Main Parts

CR 1100B / 1200B

23-11-2012

Part List ID

E15317

9

Pos	Part no.	Qty	Description	
1	56304531	1	SPRING COMPRESSION	
2	56002701	2	NUT HEX NYL LOC 5/16 18	
3	56002708	2	NUT HEX NYL LOC 1/4 20	
4	56002763	1	PIN SPR .12 X 1.12	
5	56003264	1	RING RET EXT TYPE E	
6	56002861	4	NUT HEX NYL LOC 5/8 18	
7	56418478	2	ROD END .31	
8	56001834	2	SCR HEX 5/16 18 X 1.25	
9	56001874	2	SCR HEX 1/4 20 X 2.00	
10	56001939	2	WSH FLT SAE 5/16	
11	56009002	3	WASHER FLAT .266X.906X.060	
12	56002155	2	SCR HEX 1/4 20 X .75	
13	56002319	4	WSH FLT SAE 9/16	
14	56009012	4	SCR HEX THD FORM 10 24X.38	
15	56002831	4	SCR PAN PHIL BLK 10 24 X .50	
16	56002108	1	SCR PAN PHIL 1/4 20 X 2.00	
17	56009033	5	SCR HEX THD FORM 1/4 20X.50	
18	56002840	2	NUT HEX NYL LOC THIN 1/4 20	
19	56009176	1	SCR HEX THDFORM 10 24 X 1.00	
20	56303166	1	DISCONNECT BATTERY ASSEMBLY	NOTE 2
20	56380441	1	DISCONNECT BATTERY ASSEMBLY	NOTE 1
21	56303177	1	COVER STEERING SHAFT	
22	56303225	1	CONSOLE ASSY BATTERY CAPTOR	NOTE 2
22	56380437	1	CONSOLE ASSY BATTERY CAPTOR	NOTE 1
23	56303290	1	PEDAL ASSEMBLY	
24	56303363	1	SEAT MOUNTING ASSEMBLY	
25	56304465	1	BRAKE LEVER ASSEMBLY	
26	56304530	1	PIN SPRING EXTENSION	
27	56304543	1	CATCH BRAKE LOCK	
28	56304599	1	CABLE PULL BRAKE	
29	56304774	1	STEERING ADJUSTMENT LEVER	
30	56304812	1	BOOT STEERING	
31	56304813	1	STEERING BOOT RETAINER	
32	56001884	2	NUT HEX JAM 5/16 24	
33	56015257	1	DECAL EMERGENCY DISCONNECT	NOTE 2
34	56009030	2	SCR PAN PHIL THD FOM 10 24X.38	
35	56303467	1	COVER	

NOTE 1: Only used after March 2009

NOTE 2: Only used before April 2009

Control System Sub-Assemblies - Main Parts

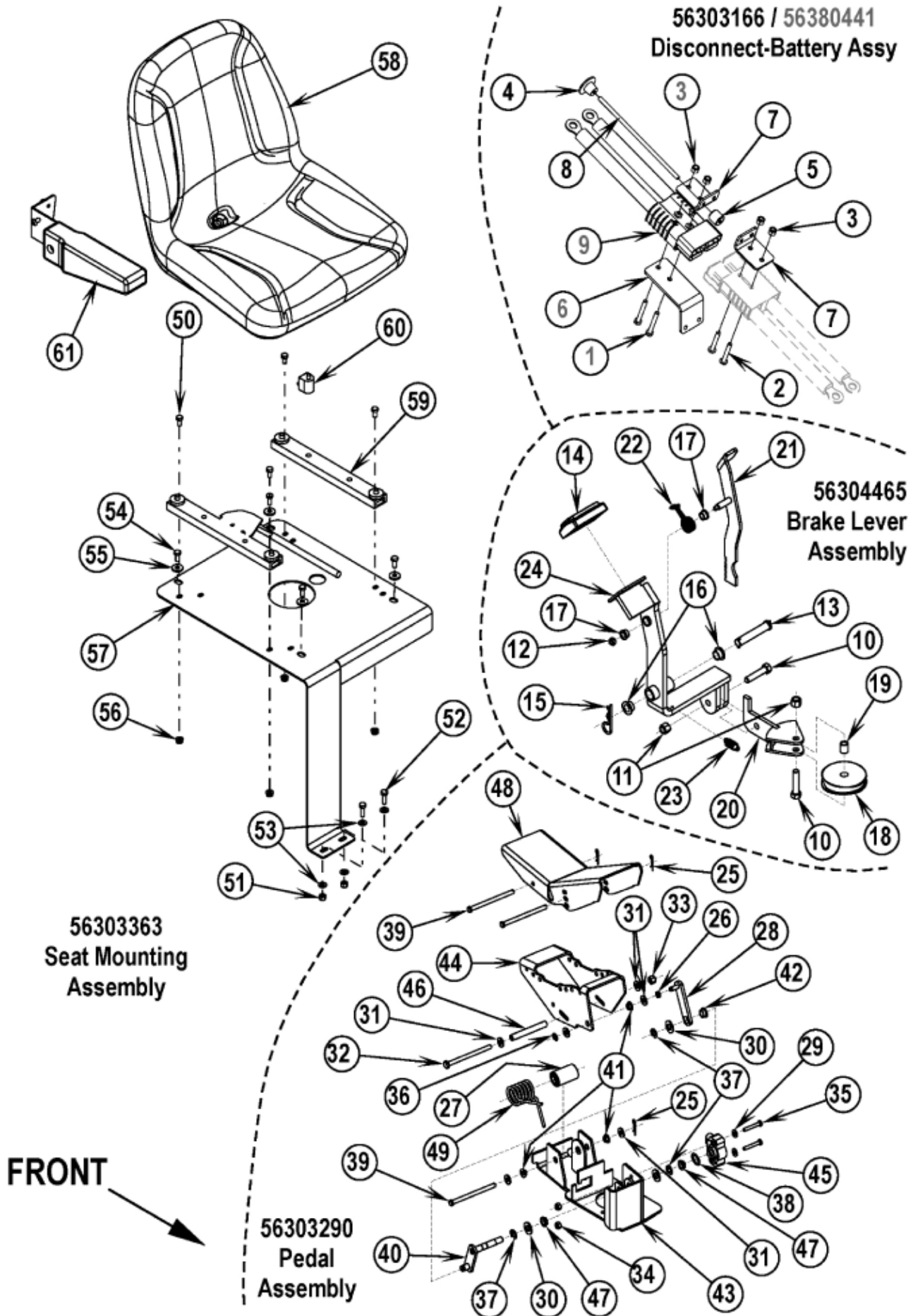
CR 1100B / 1200B

23-11-2012

Part List ID

E15319

10



Control System Sub-Assemblies - Main Parts

CR 1100B / 1200B

23-11-2012

Part List ID E15319

11

Pos	Part no.	Qty	Description	
0	56303166	1	DISCONNECT BATTERY ASSEMBLY	items 1-9 - note 3 - Not shown
0	56303290	1	PEDAL ASSEMBLY	items 25-49 - Not shown
0	56303363	1	SEAT MOUNTING ASSEMBLY	items 50-61 - Not shown
0	56304465	1	BRAKE LEVER ASSEMBLY	items 10-24 - Not shown
0	56380441	1	DISCONNECT BATTERY ASSEMBLY	items 1, 3, 6, 9 - note 2 - Not shown
1	56001874	2	SCR HEX 1/4 20 X 2.00	
1	56001967	1	SCR HEX 1/4 20 X 1.75	56380441 only
2	56002108	2	SCR PAN PHIL 1/4 20 X 2.00	
3	56002708	4	NUT HEX NYL LOC 1/4 20	qty of 2 on 56380441
4	56478605	1	KNOB 1.37 X 1/4 28	
5	56478660	1	BLOCK RE436F	
6	56303168	1	MOUNT BATTERY DISCONNECT	
7	56303169	2	TAB BATTERY DISCONNECT	
8	56303170	1	ROD BATTERY DISCONNECT	
9	56303167	1	CONNECTOR SB350 GRAY	
9	56303218	1	CONNECTOR ASM MAIN	
10	56002684	2	SCR HEX 3/8 16 X 1.75	
11	56002769	2	NUT HEX NYL LOC 3/8 16	
12	56002840	1	NUT HEX NYL LOC THIN 1/4 20	
13	56003207	1	CLEVIS PIN	
14	56365002	1	PAD RUBBER	
15	56003222	1	PIN COT HAIR .125 X DIA.50/.75	
16	56304519	2	BEARING FLANGE	
17	56304554	2	BEARING FLANGE .500X.375X.313	
18	56304557	1	PULLEY 3.00 DIAMETER	
19	56304558	1	BEARING	
20	56304562	1	PULLEY BRACKET WELDMENT	
21	56304902	1	BRAKE LOCK WELDMENT	
22	56304972	1	SPRING TORSION .095	
23	56305072	1	SPRING EXTENSION .075	
24	56305472	1	BRAKE LEVER WELDMENT	
25	56003332	3	PIN COT HAIR .042X.188	
26	56328758	1	BUSHING .25X.37X.13HC228H	
27	56409378	1	SPACER NYLON	
28	56409610	1	LINK WLDMT.	
29	56001954	2	WSH FLT SAE 10	
30	56002063	3	WSH FLT SAE 3/8	
31	56002098	6	WSH FLT SAE 1/4	
32	56002986	1	SCR HEX 1/4 20 X 3.75	
33	56002840	1	NUT HEX NYL LOC THIN 1/4 20	

NOTE 1: Seat 56409021 has been obsoleted and replaced with 7-69-00008. If you order the old seat 56409021 you will receive Seat Assy Kit 56109291 in its place which includes items (58-61).

NOTE 2: Only used after March 2009.

NOTE 3: Only used before April 2009.

56303166 1 Disconnect Battery Assembly (items 1-9)

Control System Sub-Assemblies - Main Parts

CR 1100B / 1200B

23-11-2012

Part List ID E15319

12

Pos	Part no.	Qty	Description	
34	56002832	2	NUT HEX NYL LOC THIN 10 24	
35	56003687	2	SCR HEX 10 24 X 1.25	
36	56003268	1	RING RET EXT TYPE E REINF	
37	56003269	3	RING RET EXT TYPE E REINF	
38	56479764	1	O RING 113 NBR 70 RE484S	
39	56003669	3	CLEVIS PIN .50 X 3.00	
40	56303283	1	LINK WELDMENT	
41	56303284	3	BEARING FL .375X.250X.188	
42	56303285	2	BEARING FL .500X.375X.250	
43	56303286	1	PEDAL BASE WELDMENT	
44	56303288	1	PEDAL PIVOT	
45	56303313	1	ROTARY SENSOR NO SPRING	
46	56303318	1	BUSHING	
47	56304518	1	BEARING FLANGE	
48	56304777	1	PEDAL	
49	56314037	1	SPRING TORSION	
50	56002035	4	SCR HEX 5/16 18 X .62	
51	56002856	2	NUT HEX NYL LOC SS 5/16 18	
52	56002913	2	SCR HEX THD TO HD SS 5/16 18X1	
53	56002938	4	WSH FLT SAE SS 5/16	
54	56002956	4	SCR HEX LOC 5/16 18 X .75	
55	56009122	4	WSH FLT .344X.938X.125	
56	56001806	4	NUT WHZ W/FLANGE 5/16 18	
57	56305115	1	PLATE SEAT MOUNT	
58	56109291	1	SEAT ASSY KIT	
58	7-69-00008	1	SEAT	NOTE 1
59	56109300	1	SLIDE KIT NO STUDS	NOTE 1
60	7-82-00050	1	SWITCH SEAT	(S9) NOTE 1
61	7-03-04250	1	ARM REST RH ONLY	NOTE 1

NOTE 1: Seat 56409021 has been obsoleted and replaced with 7-69-00008. If you order the old seat 56409021 you will receive Seat Assy Kit 56109291 in its place which includes items (58-61).

NOTE 2: Only used after March 2009.

NOTE 3: Only used before April 2009.

56303166 1 Disconnect Battery Assembly (items 1-9)

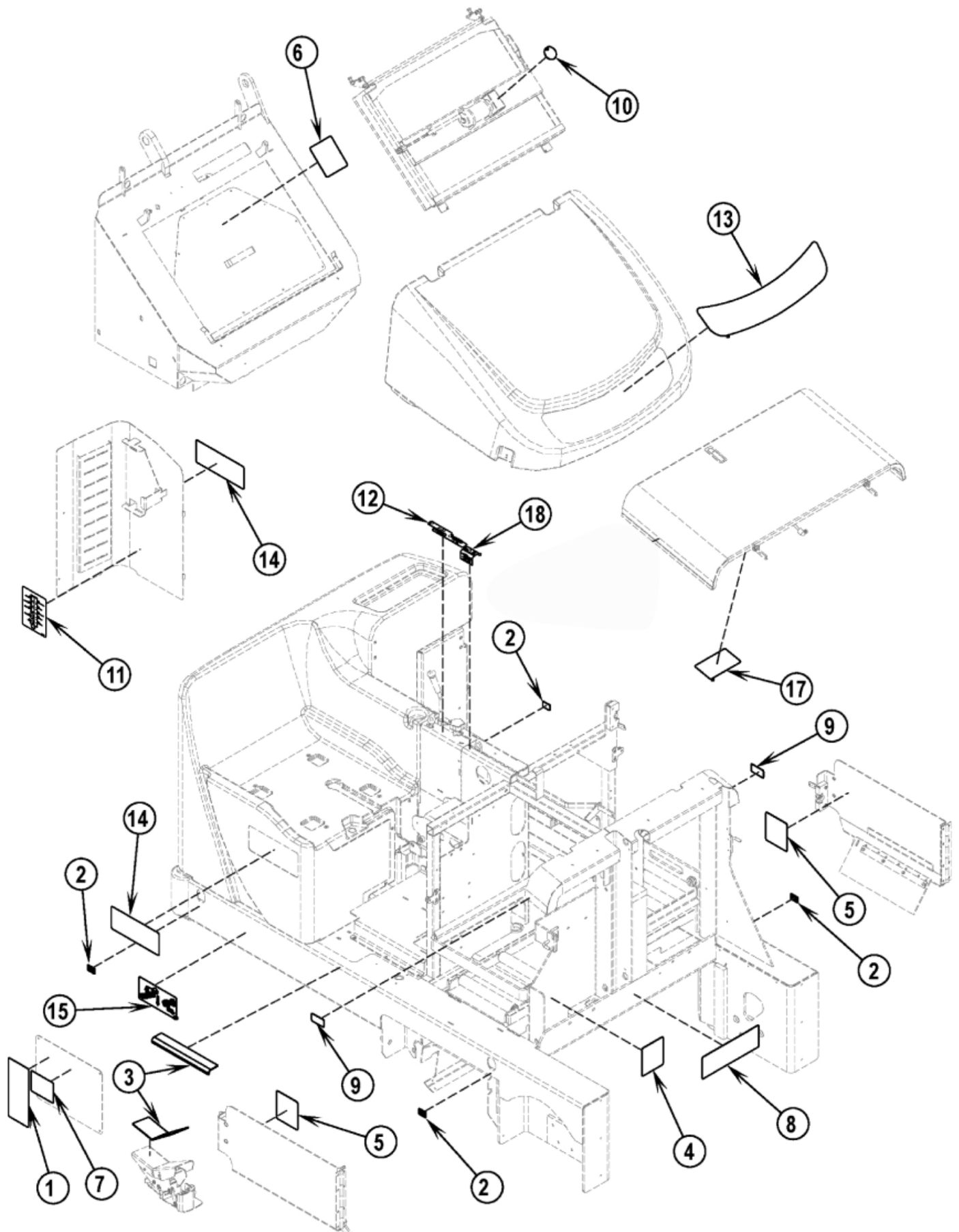
Decal System - Main Parts

23-11-2012

Part List ID
E153111

CR 1100B / 1200B

13



Decal System - Main Parts

CR 1100B / 1200B

23-11-2012

Part List ID

E153111

14

Pos	Part no.	Qty	Description
1	56014601	1	DECAL CAUTION
2	56015370	4	DECAL TIE DOWN
3	56305606	2	MAT PEDAL
4	56015424	1	DECAL WARNING HYDRAULIC
5	56015425	2	DECAL WARNING BROOM
6	56015426	1	DECAL WARNING FAN
7	56015427	1	DECAL WARNING TIP O
8	56015428	1	DECAL WARNING HOPPER
9	56025496	2	DECAL CAUTION
10	56030080	1	DECAL HANDS CLEAR
11	56015164	1	DECAL CONTACTOR LOCATION
12	56015185	1	DECAL MAIN BROOM/SOLUTION
13	56015191	1	DECAL NILFISK
14	56015200	2	DECAL CR1100
14	56015201	2	DECAL CR1200
15	56015221	1	DECAL SOLUTION DRAIN
17	56015244	1	DECAL BATTERY WIRING
18	56015245	1	DECAL HOPPER SAFETY SUPPORT

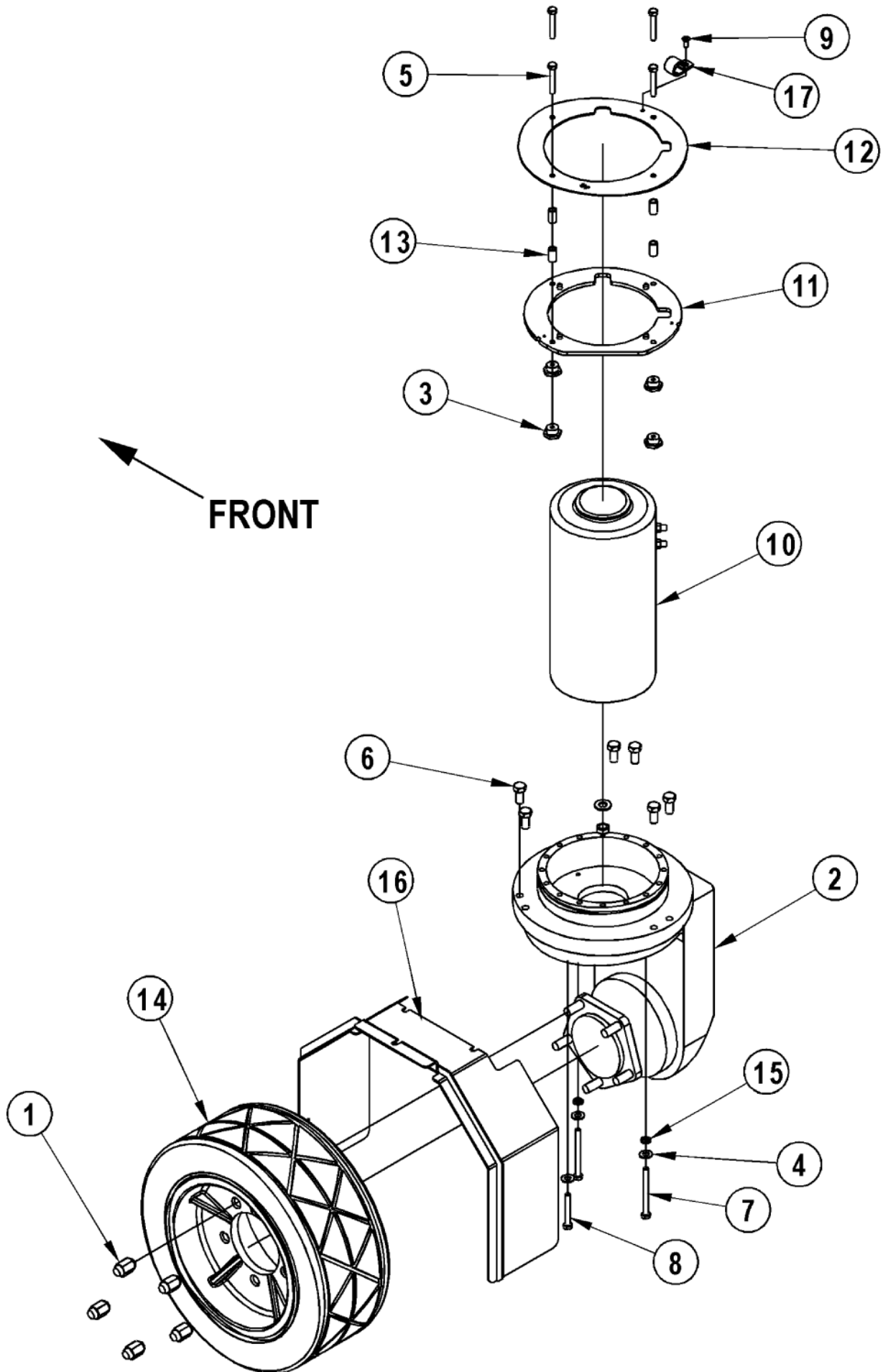
Drive System - Main Parts

CR 1100B / 1200B

23-11-2012

Part List ID
E153113

15



Drive System - Main Parts

CR 1100B / 1200B

23-11-2012

Part List ID

E153113

16

Pos	Part no.	Qty	Description	
1	56003384	5	NUT LUG M14X1.50	
2	56416024	1	GEARBOX DRIVE WHEEL	
3	56416296	4	CLAMP STEERING	
4	56002063	3	WSH FLT SAE 3/8	
5	56002721	4	SCR HEX 5/16 18 X 2.00	
6	56003382	6	SCR HEX M12X1.75X25MM	Machine outphased 2004
7	56003390	2	SCR HEX M8X1.25X90MM	
8	56003398	1	SCR HEX M8X1.25X60MM	
9	56009079	1	SCR FLTPHIL THDFORM 1/4 20X.75	
10	56001879	1	WSH FLT SAE 1/2	Not shown
10	56002773	1	NUT HEX NYL LOC 1/2 20	Not shown
10	56303032	1	WHEEL DRIVE MOTOR ASSEMBLY	
10	56303033	1	MOTOR 36VDC 4 HP	Not shown
10	56303426	4	BRUSHES WHEEL DRIVE MOTOR	Not shown
10	56409746	4	BRUSH SPRING	Not shown
10	56416299	1	O RING	Not shown
11	56303082	1	STEERING PLATE WLMT.	
12	56303308	1	PLATE CHAIN COVER	
13	56303309	4	SPACER BUSHING	
14	56303028	1	REAR WHEEL ASSEMBLY	Optional, not included
14	56303029	1	HUB REAR	
14	56303324	1	REAR WHEEL ASSEMBLY	
14	56303560	1	WHEEL ASSY 6 3XGROOVE BATTERY	Optional, not included
14	56303595	1	URETHANE WHEEL ASSY	Optional, not included - TSBUS2009-1038
14	56304025	1	TIRE PRESS ON 16 1/4 X 6	
14	56305036	1	TIRE PRESS ON 16 1/4 X 6	
14	56305996	1	TIRE 6 3X GROOVE	
14	56380444	1	TIRE PRESS ON 16 1/4 X 6	
15	56303497	2	SPACER	
16	56303502	1	FENDER WELDMENT PTD	
17	56303651	1	CLAMP P CL 16	
17	56501001	1	OIL 90 GEAR LUBE. RE90	Not shown

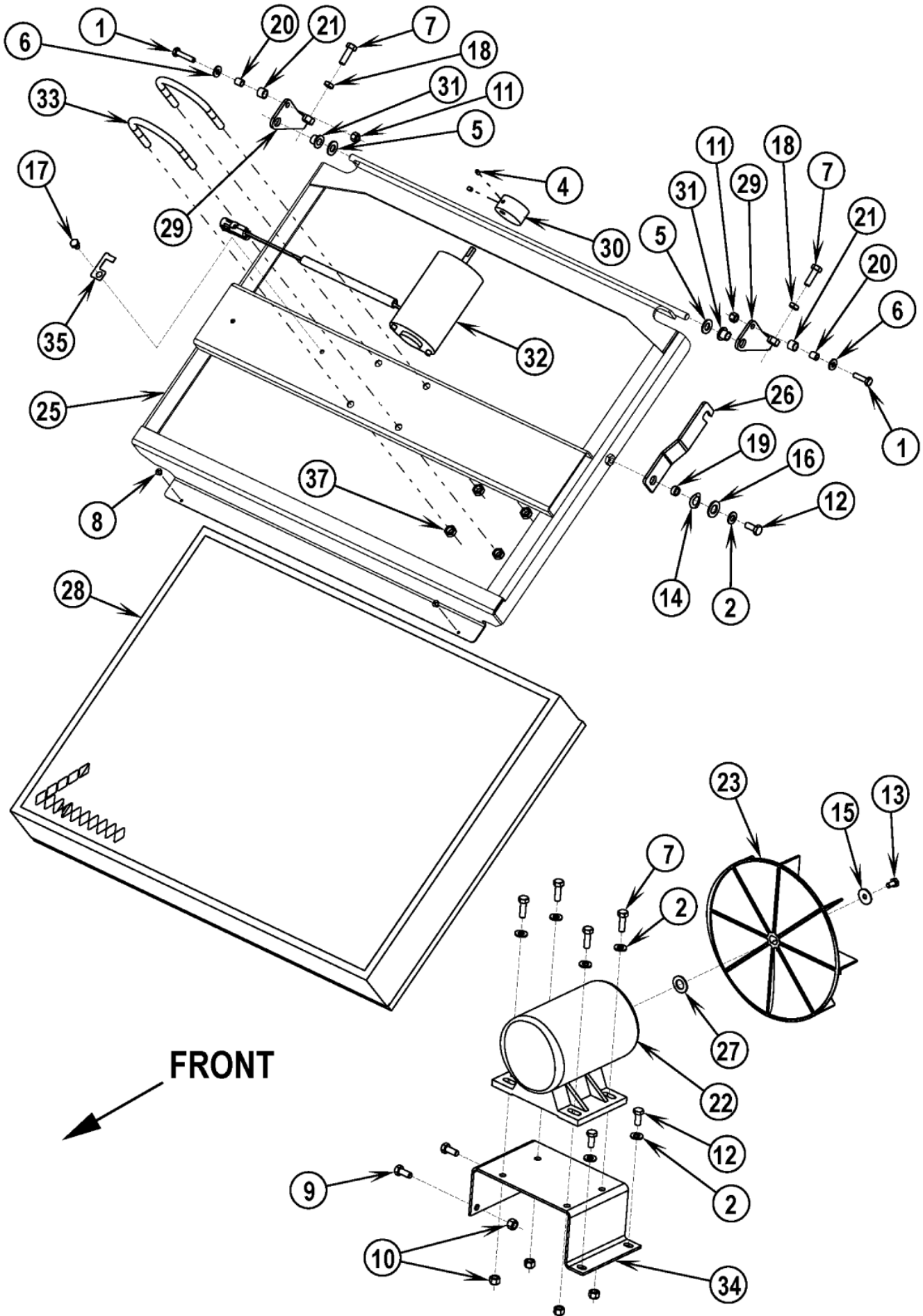
Dust Control System - Main Parts

CR 1100B / 1200B

23-11-2012

Part List ID
E153115

17



Dust Control System - Main Parts

CR 1100B / 1200B

23-11-2012

Part List ID
E153115

18

Pos	Part no.	Qty	Description	
1	56002093	2	SCR HEX 1/4 20 X 1.00	
2	56001939	7	WSH FLT SAE 5/16	
4	56009084	2	SCR SOC SET LOC 10 24X.19	
5	56002063	2	WSH FLT SAE 3/8	
6	56002098	2	WSH FLT SAE 1/4	
7	56002221	6	SCR HEX 5/16 18 X 1.00	
8	56002043	2	SCR PAN PHIL 10 24 X .38	
9	56002667	2	SCR HEX 5/16 18 X .75	
10	56002701	6	NUT HEX NYL LOC 5/16 18	
11	56002708	2	NUT HEX NYL LOC 1/4 20	
12	56002956	3	SCR HEX LOC 5/16 18 X .75	
13	56003039	1	SCR HEX LOC 1/4 20 X .50	
14	56009001	1	WSH BOWED .516X.906X.008	
15	56009002	1	WASHER FLAT .266X.906X.060	
16	56009003	1	WSH FLT .516X.938X.075	
17	56009019	1	SCR HEX THD FORM 1/4 20X .38	
18	56009086	2	NUT HEX JAM 5/16 18	
19	56320595	1	BUSHING .31X.50X.28HC18M	
20	56321532	2	BUSHING .25X.37X.40HC42C	
21	56370754	2	BEARING SLEEVE .379CV211KE0202	
22	56416020	1	MOTOR .33HP	M5
22	56416595	1	SET OF 2 MOTOR BRUSHES	Not shown
23	56416021	1	IMPELLER	
25	56416289	1	FILTER CLAMP WLMT	
26	56416511	1	LATCH SHAKER	
27	56416613	1	WASHER FLT SS .563 x 1.00x.060	
28	56303580	1	FILTER ASSY WATER RESISTANT	
29	56416625	2	SHAKER HINGE WELDT	
30	56416671	1	ECCENTRIC	
31	56416675	2	BUSHING FLANGE	
32	56467307	1	MOTOR ASSY	Note 1
33	56508888	2	U BOLT 3/8 16 X 3.13 ID	Note 1
34	56303058	1	MOUNT FAN	
35	56409769	1	CLIP WEATHER PACK	
37	56002841	4	NUT HEX NYL LOC THIN 3/8 16	Note 1

NOTE 1: The configuration of Shaker Motor 56467307 has changed as of October 2008. It was previously a VonWeise brand motor and now is AMER. As of this change the U-Bolts securing the motor have also changed from 56468329 to 56508888. The following parts are no longer used; 56380446, 56416280, 56002001. If you need to replace any of the following parts (56380446, 56416280, 56468329, 56467307) please

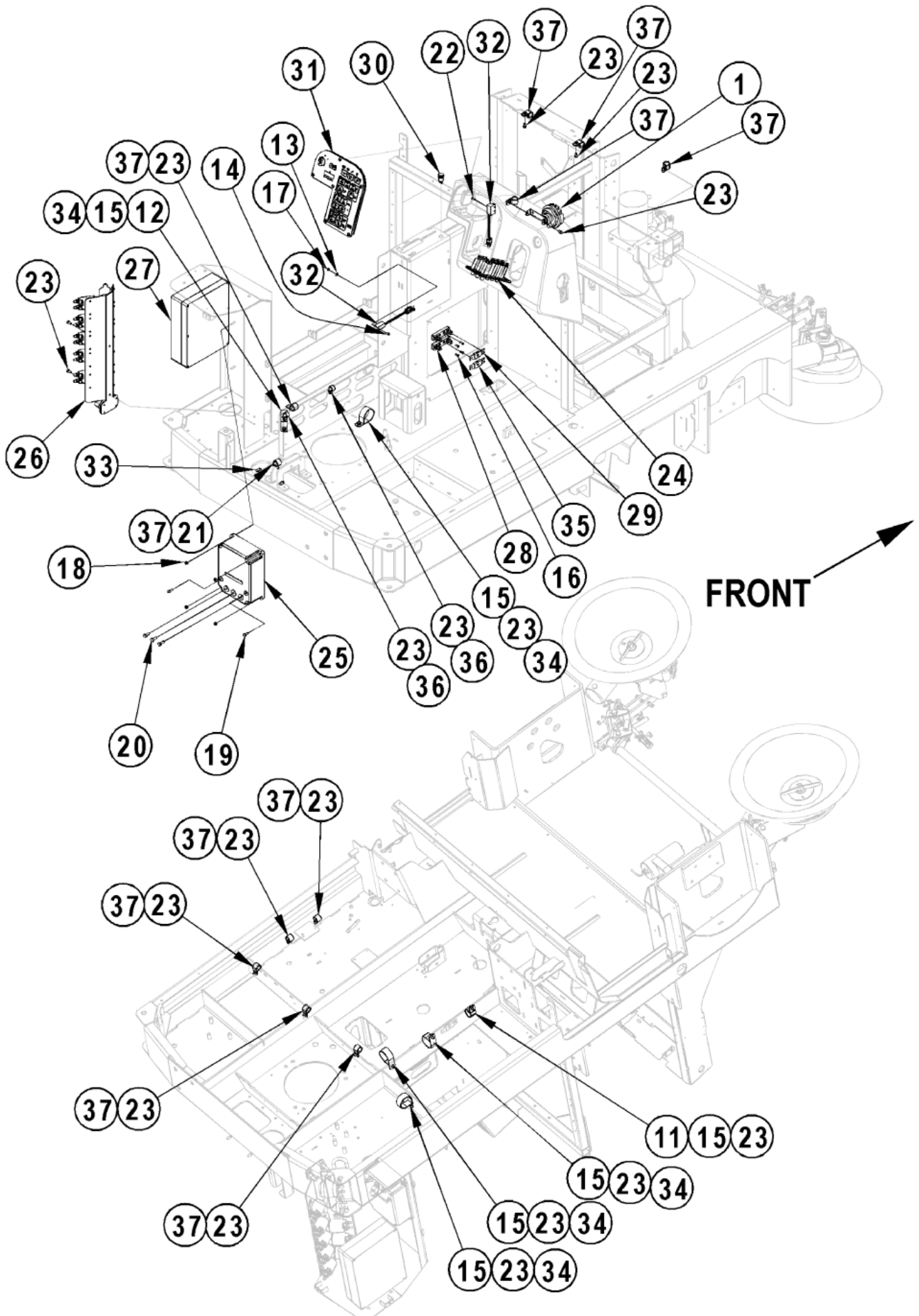
Electrical System - Main Parts

CR 1100B / 1200B

23-11-2012

Part List ID
E153117

19



Electrical System - Main Parts

CR 1100B / 1200B

23-11-2012

Part List ID

E153117

20

Pos	Part no.	Qty	Description	
1	56482365	1	HORN 36V	
2	56303213	1	HARNESS DRIVE MOTOR	
3	56303214	1	HARNESS HOPPER	
4	56303215	1	HARNESS LOWER	
5	56303216	1	HARNESS UPPER	before SN1779197
5	56303542	1	HARNESS UPPER	after SN1779196
6	56303217	1	CABLE ASM RED 3/0 2	
7	56303219	1	CABLE ASM BLK 3/0 2	
8	56303251	1	CABLE ASM RED 1 1	
9	56303252	1	CABLE ASM RED 1 2	
10	56303253	1	CABLE ASM BLK 1 2	
11	56409463	1	CLAMP 1.25 HOSE SUPPORT	
12	56001854	1	SCR HEX 1/4 20 X .50	
13	56001954	1	WSH FLT SAE 10	
14	56001993	1	SCREW 10 24 X 0.5 ZINC PL	
15	56002098	6	WSH FLT SAE 1/4	
16	56009166	4	SCR FLT PHIL THDFORM 10 32X.75	
17	56002832	1	NUT HEX NYL LOC THIN 10 24	
18	56002840	4	NUT HEX NYL LOC THIN 1/4 20	
19	56003174	2	SCR HEX THD/HD M6 1.0 X 16MM	
20	56003435	3	SCR HEX SS M8 1.25X20MM	
21	56009018	1	SCR HEX THD FORM 1/4 20X .75	
22	56009082	1	SCR PANPHILTHD FORMBLK10 24X.5	
23	56009033	18	SCR HEX THD FORM 1/4 20X.50	
24	56303176	1	CIRCUIT BREAKER ASSEMBLY	
25	56303197	1	CONTROLLER ELECTRIC DRIVE	
26	56303200	1	ELECTRIC PANEL ASSEMBLY	
27	56303201	1	CONTROL BOX ASSEMBLY	before SN1779197
27	56303543	1	CONTROL BOX ASSEMBLY	after SN1779196
28	56303295	2	FUSE BLOCK	
29	56303297	1	FUSE 400 AMP	
30	56303350	1	LIGHT RED LED INDICATOR	
31	56009206	6	SCR TRUSS PHIL BLK 10 24X.50	Not shown
31	56303373	1	PANEL ASSEMBLY	Not shown
31	56303374	1	GAUGE PANEL ASSEMBLY	before SN1779197
31	56303526	1	KEY REPLACEMENT SET OF 2	Replacement key for 56303553 - Not shown
31	56303552	1	CONTROL PANEL ASSEMBLY	after SN1779196
31	56303553	1	KEY SWITCH ASSEMBLY	TSBUS2004-873 - not shown
32	56305053	2	SENSOR PROXIMITY	
33	56305237	2	BULB LIGHT	
34	56305492	5	CLAMP P	
35	56410044	1	FUSE 250 AMP	
36	2-00-04602	2	CLAMP HOSE SINGLE 1/2 O.D.	

Electrical System - Main Parts

CR 1100B / 1200B

23-11-2012

Part List ID

E153117

21

Pos	Part no.	Qty	Description
37	56303555	1	CONNECTOR ASSEMBLY
37	56303651	11	CLAMP P CL 16

Electrical system Sub-Assemblies - Main Part:

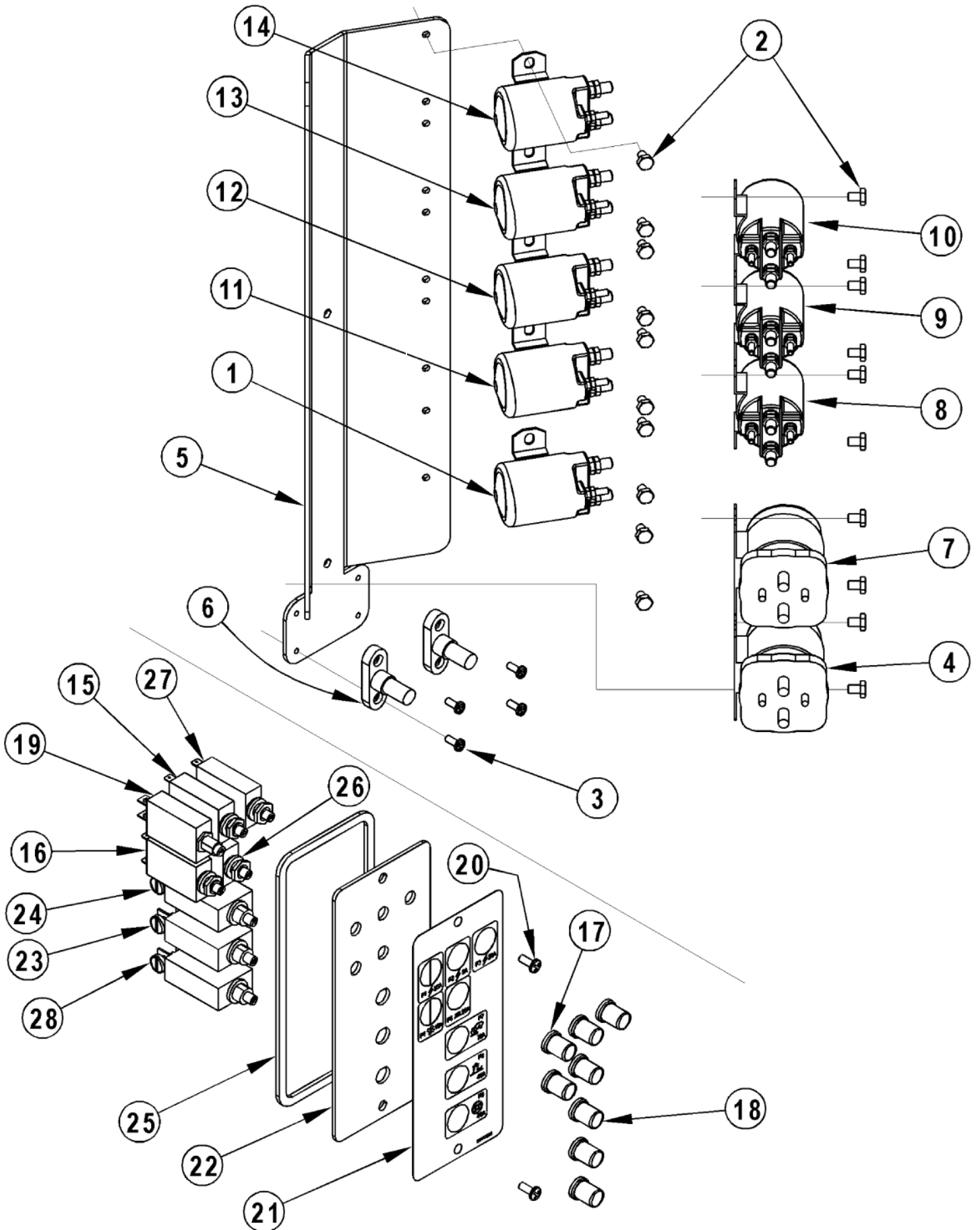
CR 1100B / 1200B

23-11-2012

Part List ID

E153119

22



Electrical system Sub-Assemblies - Main Parts

CR 1100B / 1200B

23-11-2012

Part List ID

E153119

23

Pos	Part no.	Qty	Description	
	56303200	1	ELECTRIC PANEL ASSEMBLY	(ITEMS 1-14)
1	56395450	1	CONTACTOR 36 VOLT	(K10 AUXILIARY)
2	56009019	20	SCR HEX THD FORM 1/4 20X .38	
3	56009029	4	SCR PANPHIL THD FORM 10 24X.50	
4	56303198	1	CONTACTOR 36V TYPE 4	(K5 DRIVE)
5	56303199	1	PANEL ELECTRIC	
6	56303298	2	STUD TYPE JUNCTION BOX	
7	56303198	1	CONTACTOR 36V TYPE 4	(K4 MAIN BROOM)
8	56395450	1	CONTACTOR 36 VOLT	(K3 RIGHT BRUSH)
9	56395450	1	CONTACTOR 36 VOLT	(K2 CENTER BRUSH)
10	56395450	1	CONTACTOR 36 VOLT	(K1 LEFT BRUSH)
11	56395450	1	CONTACTOR 36 VOLT	(K9 STEERING)
12	56395450	1	CONTACTOR 36 VOLT	(K8 SIDE BROOMS)
13	56395450	1	CONTACTOR 36 VOLT	(K7 VACUUM)
14	56303176	1	CIRCUIT BREAKER ASSEMBLY	(ITEMS 15-28)
14	56395450	1	CONTACTOR 36 VOLT	(K6 DUST CONTROL)
15	56387328	1	CIRCUIT BREAKER 5A	(F2 AUXILIARY)
16	56454538	1	CIRCUIT BREAKER 15A	(F4 DUST CONTROL)
17	56459367	5	BOOT RESET BUTTON E00585	
18	56459368	3	BOOT RESET BUTTON E00585	
19	56469788	1	CIRCUIT BREAKER 25A	(F1 AUXILIARY)
20	56001993	2	SCREW 10 24 X 0.5 ZINC PL	
21	56303589	1	DECAL CIRCUIT BREAKER	
22	56303588	1	PLATE CIRCUIT BREAKER MOUNT	
23	56303299	1	CIRCUIT BREAKER 40 AMP	(F8 VACUUM MOTORS)
24	56303301	1	CIRCUIT BREAKER 70 AMP	(F7 HYDRAULIC PUMP)
25	56305232	1	GASKET	
26	56395454	1	CIRCUIT BREAKER 20A	(F5 SIDE BROOMS)
27	56395454	1	CIRCUIT BREAKER 20A	(F3 AUXILIARY)
28	56303299	1	CIRCUIT BREAKER 40 AMP	(F9 POWER STEERING)

Front Wheel System - Main Parts

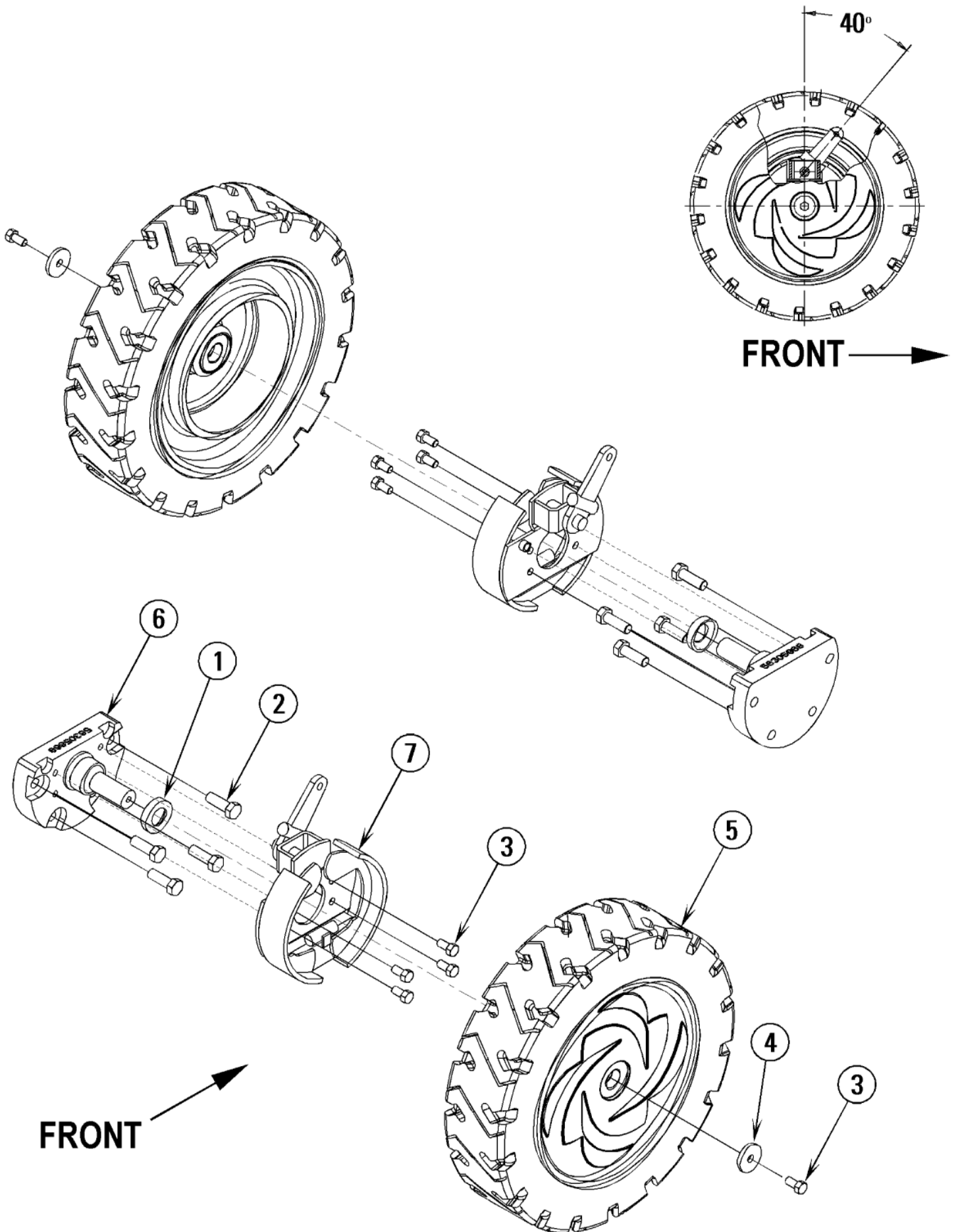
CR 1100B / 1200B

23-11-2012

Part List ID

E153121

24



Front Wheel System - Main Parts

CR 1100B / 1200B

23-11-2012

Part List ID

E153121

25

Pos	Part no.	Qty	Description	
1	56305742	2	SPACER SPINDLE	
2	56002954	8	SCR HEX LOC 1/2 13 X 1.50	
3	56003079	10	SCR HEX LOC 3/8 16 X .75	
4	56367117	2	WSH FLT STEEL .406CV31C	
5	56111531	2	BEARING BALL	2 per wheel assy - not shown
5	56304024	1	TIRE PRESS ON 16 X 4	1 per wheel assy - not shown
5	56382656	2	WHEEL FRONT	
5	56382835	1	HUB KIT	1 per wheel assy - not shown
6	56305927	2	FRONT SPINDLE	
7	56305600	1	BRAKE SHOE	2 required per brake assy
7	56410012	2	BRAKE ASSEMBLY	

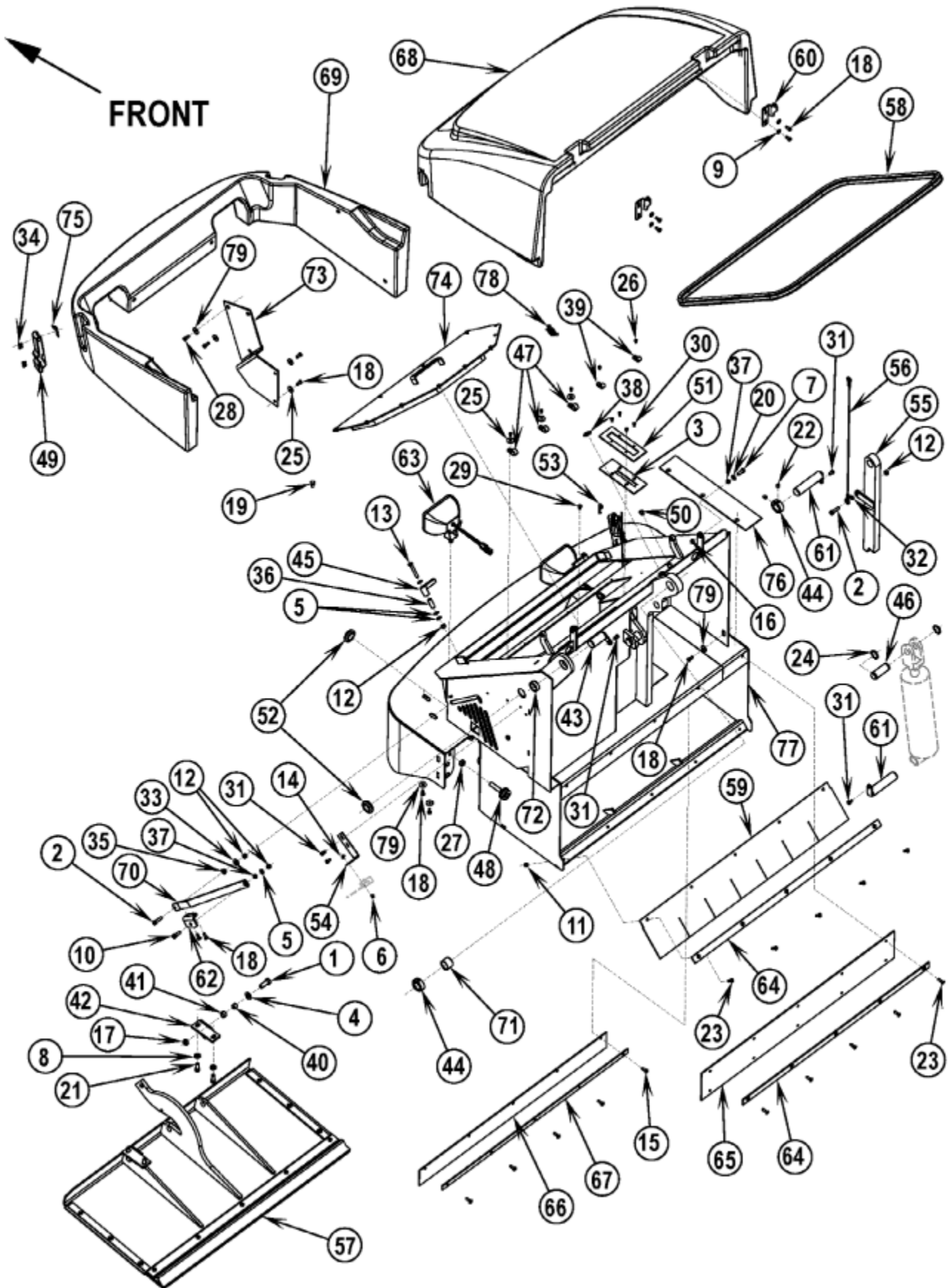
Hopper system - Main Parts

CR 1100B / 1200B

23-11-2012

Part List ID
E153123

26



Hopper system - Main Parts

CR 1100B / 1200B

23-11-2012

Part List ID

E153123

27

Pos	Part no.	Qty	Description	
1	56001831	2	SCR HEX 1/2 13 X 1.25	
2	56001834	2	SCR HEX 5/16 18 X 1.25	
3	56419264	1	BOOT HOPPER	
4	56001879	2	WSH FLT SAE 1/2	
5	56001939	7	WSH FLT SAE 5/16	
6	56001818	1	SCR PAN PHIL 8 32 X .38	
7	56002037	2	SCR HEX 5/16 18 X .88	
8	56002063	4	WSH FLT SAE 3/8	
9	56002098	4	WSH FLT SAE 1/4	
10	56002221	1	SCR HEX 5/16 18 X 1.00	
11	56002491	15	NUT HEX NYL LOC SS 1/4 20	
12	56002701	5	NUT HEX NYL LOC 5/16 18	
13	56002721	2	SCR HEX 5/16 18 X 2.00	
14	56002877	1	NUT HEX NYL LOC SS 8 32	
15	56002807	5	SCR HEX SS 1/4 20 X .75	
16	56002826	2	NUT HEX NYL LOC THIN 5/16 18	
17	56002843	2	NUT HEX NYL LOC THIN 1/2 13	
18	56002922	14	SCR HEX LOC 1/4 20 X .62	
19	56002929	1	SCR HEX LOC 5/16 18 X .62	NOTE 1
20	56002938	2	WSH FLT SAE SS 5/16	
21	56002947	4	SCR HEX LOC 3/8 16 X 1.00	
22	56003081	4	SCR SOC SET LOC 3/8 16 X .38	
23	56002711	10	SCR FLT PHIL 1/4 20 X .88	
24	56003258	2	RING RET EXT	
25	56009002	10	WASHER FLAT .266X.906X.060	
26	56009012	5	SCR HEX THD FORM 10 24X.38	
27	56002770	2	NUT HEX NYL LOC 1/2 13	
28	56009018	2	SCR HEX THD FORM 1/4 20X .75	
29	56009019	1	SCR HEX THD FORM 1/4 20X .38	
30	56009082	4	SCR PANPHILTHD FORMBLK10 24X.5	
31	56009033	5	SCR HEX THD FORM 1/4 20X.50	
32	56009086	1	NUT HEX JAM 5/16 18	
33	56009122	1	WSH FLT .344X.938X.125	
34	56002043	8	SCR PAN PHIL 10 24 X .38	
35	56244937	1	BUSHING FLANGE .328FC428C	
36	56300241	2	BUSHING .33X.50X1.3HA515A	
37	56320595	3	BUSHING .31X.50X.28HC18M	
38	56009095	1	NUT CONDUIT LOCK 1/2 14	
39	56442011	2	CLAMP CABLE .438 E00129	
40	56360627	2	BUSHING .50X.62X.41CT32G	
41	56370878	2	BEARING SLEEVE .627CV213FE0202	
42	56416253	2	HINGE WELDMENT	
43	56416308	2	HINGE PIN WLMT. LEFT	

Note 1: Hex head screw for right headlight.

Note 2: Fold 180o around the top of strap.

Hopper system - Main Parts

CR 1100B / 1200B

23-11-2012

Part List ID

E153123

28

Pos	Part no.	Qty	Description	
44	56416498	2	COLLAR HOPPER HINGE	
45	56416674	2	FILTER CLAMP WELDMT	
46	56418625	1	PIN CYLINDER SHORT	
47	56442003	3	CLAMP CABLE .677 E00129	
48	56449221	2	BUMPER 1.43 DIA. CV660N	
49	56462746	2	LATCH	
50	2-00-03778	1	HEX HD 1/8 NPT PLUG	
51	56419265	1	PLATE BOOT	
52	56486116	3	GROMMET E00059	
53	56003120	1	PIN COT HAIR.093XDIA .25 .50	
54	56304416	1	BRACKET MAGNETIC SWITCH	
55	56304526	1	PROP ROD WELDMENT	
56	56304548	1	PROP ROD CABLE ASSEMBLY	
57	56304596	1	DUMP DOOR ASSEMBLY	
58	56304617	1	GASKET	
59	56304665	1	SKIRT HOPPER	
59	56305593	1	SKIRT HOPPER HEAVY DUTY	Optional
60	56304677	2	HINGE PLATE	
61	56304683	2	PIN HOPPER HINGE WELDMENT	
62	56304685	1	BRACKET PROP	
63	56304768	2	LAMP 12V	
63	56304783	1	BULB LIGHT	
64	56304807	2	STRAP HOPPER	
65	56304810	1	SEAL HORIZONTAL	NOTE 2
66	56304815	1	BLADE HOPPER FABRIC	
67	56304816	1	STRAP	
68	56304832	1	COVER HOPPER	
69	56304833	1	COVER HOPPER BOTTOM	
70	56304863	1	PROP ROD	
71	56304896	1	BEARING SLEEVE 1.125X1.375X.5	
72	56304897	1	BEARING SLEEVE 1.125X1.375X.5	
73	56305183	1	BRACKET LOWER HOPPER COVER	
74	56305190	1	ACCESS PANEL ASSEMBLY	
75	56462746	2	LATCH	
76	56305196	1	BLADE DUST SHIELD	
77	56305465	1	HOPPER WELDMENT	
78	56462361	1	CONN.WR.PK.2 WAY FE	
79	56100094	8	WSH FLT ZN .250 E00458	
79	56172017	2	P CLIP E00129	Not shown

Note 1: Hex head screw for right headlight.

Note 2: Fold 180o around the top of strap.

Hopper System Sub-Assemblies - Main Parts

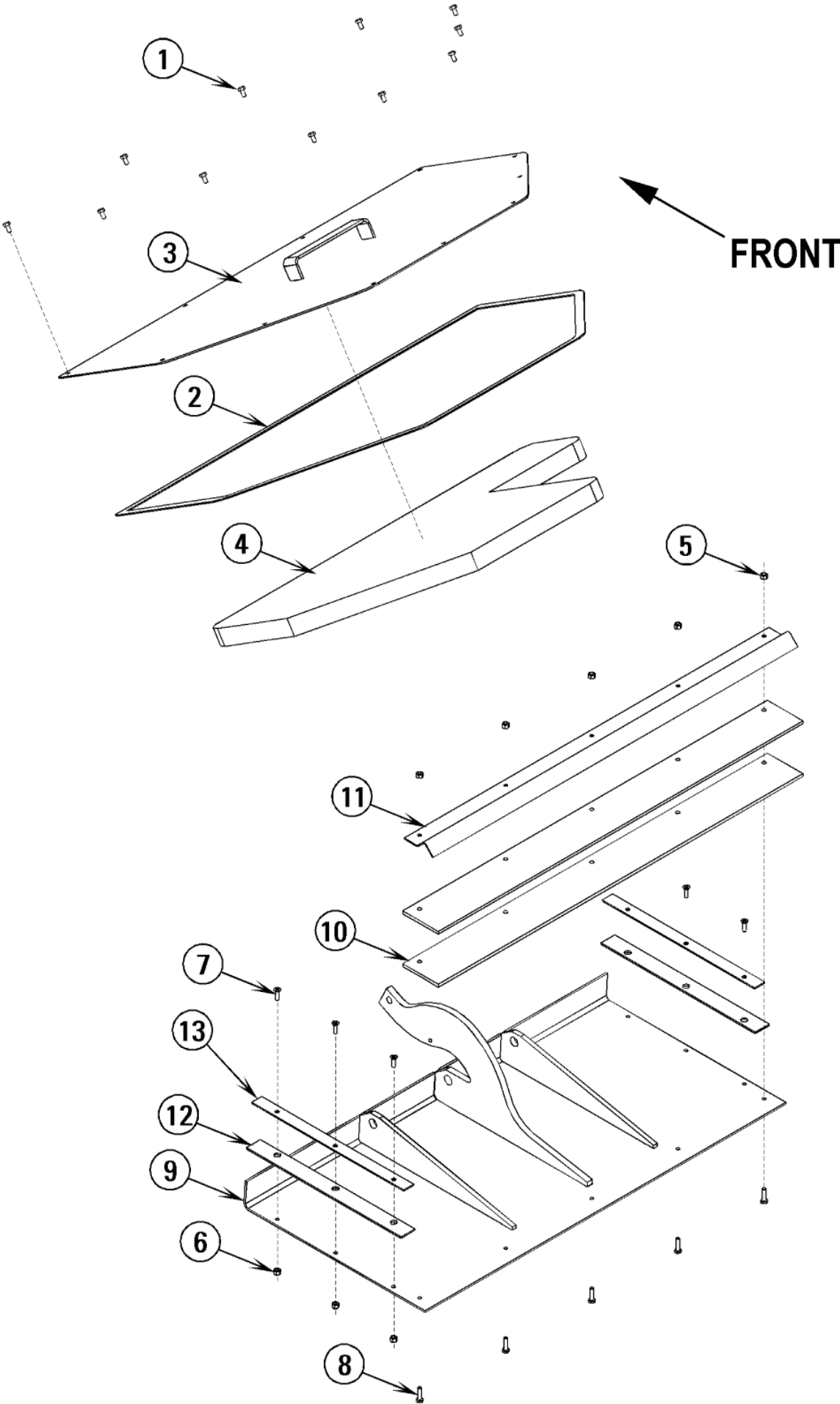
CR 1100B / 1200B

23-11-2012

Part List ID

E153125

29



Hopper System Sub-Assemblies - Main Parts

CR 1100B / 1200B

23-11-2012

Part List ID

E153125

30

Pos	Part no.	Qty	Description	
0	56304596	1	DUMP DOOR ASSEMBLY	items 5-13
0	56305190	1	ACCESS PANEL ASSEMBLY	items 1-4
1	56009012	11	SCR HEX THD FORM 10 24X.38	
2	56330682	1	GASKET 1/16X1/2X120HC525F	
3	56304401	1	ACCESS PANEL WELDMENT	
4	56304729	1	FOAM ACCESS PANEL	
5	56002491	5	NUT HEX NYL LOC SS 1/4 20	
6	56002491	6	NUT HEX NYL LOC SS 1/4 20	
7	56002711	6	SCR FLT PHIL 1/4 20 X .88	
8	56002883	5	SCR HEX SS 1/4 20 X 1.00	
9	56304597	1	DUMP DOOR WELDMENT	
10	56304808	2	BLADE HOPPER DOOR GUM	
11	56304809	1	ANGLE	
12	56419440	2	BLADE HOPPER NEOPRENE	
13	56419441	2	STRAP	

Hydraulic System 1 - Main Parts

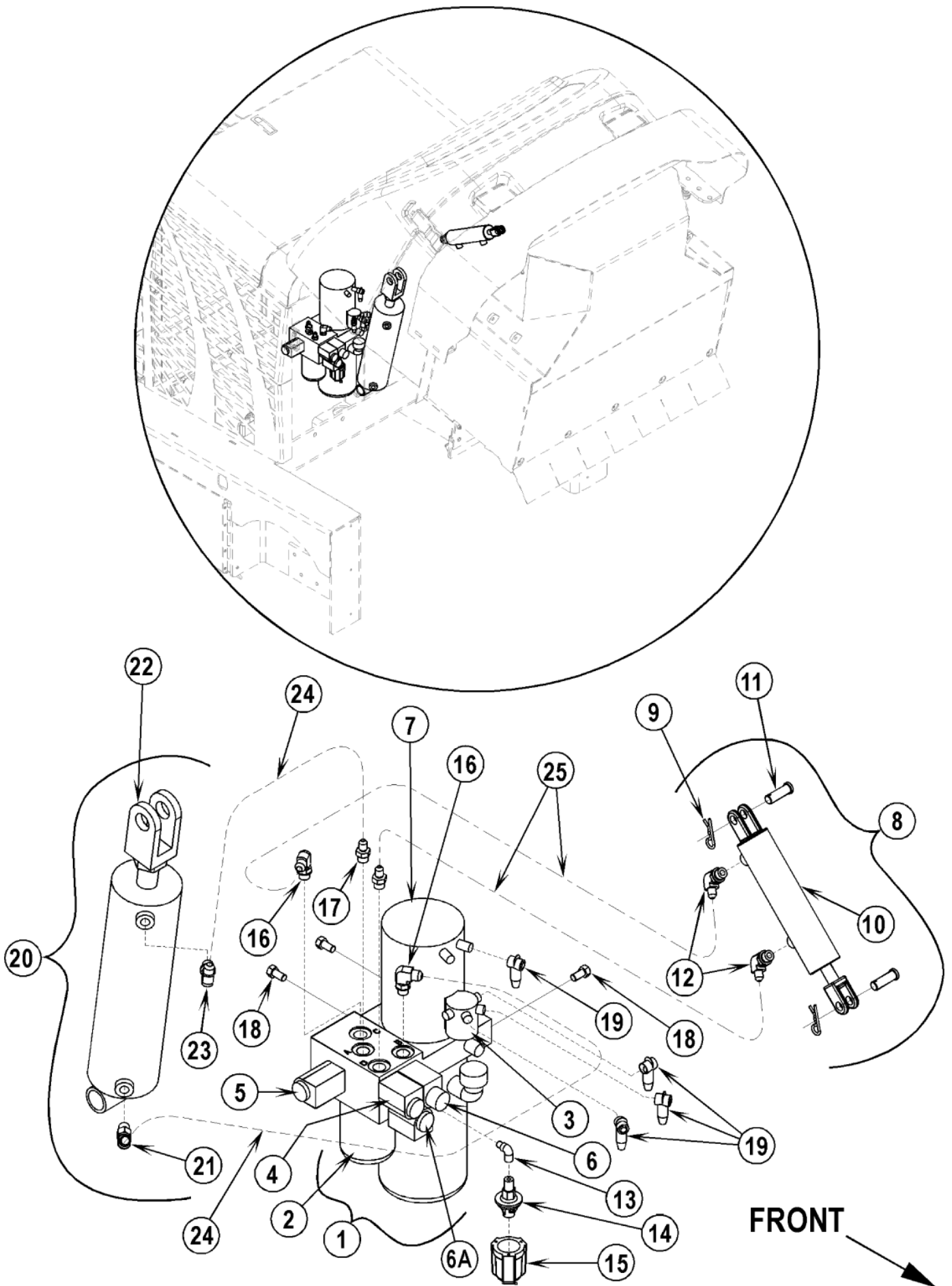
CR 1100B / 1200B

23-11-2012

Part List ID

E153126

31



Hydraulic System 1 - Main Parts

CR 1100B / 1200B

23-11-2012

Part List ID

E153126

32

Pos	Part no.	Qty	Description	
1	56303040	1	HYDRAULIC POWER UNIT	includes replacement items 2-7 TSBUS2006-916
2	56303432	1	FILTER HYDRAULIC	
3	56303433	1	BRUSH SPRING KIT	for replacement on 56303070 - Not shown
3	56303441	1	COIL 36 VDC	K11
4	56303435	1	SOLENOID VALVE ITEM 4	L4
5	56305369	1	CARTRIDGE	L5
6	56303437	1	SOLENOID VALVE ITEM 6	L6
7	56303440	1	MOTOR HYDRAULIC POWER UNIT	M10
7	56303561	1	RESERVIOR KIT	M10 - Not shown
8	56416121	1	HOPPER DOOR CYLINDER ASSY	items 9-12
9	56002529	2	PIN COT .12 X 1.00	
10	56416202	1	CYLINDER HYDRAULIC	
11	56486733	2	PIN .5 X 1.5	
12	56900110	2	ELBOW 90DEG O/R 4 6 E00003	
13	56111309	1	ELBOW ST 1/8X90 BR E00031	
14	56418994	1	SWITCH N.O. PRESSURE	S7
15	56419241	1	DUST BOOT	
16	56900103	2	ELBOW 90 DEG O/R 6 E00003	
17	56900011	2	CONNECTOR 4 6 E00001	
18	56003079	3	SCR HEX LOC 3/8 16 X .75	
19	56409538	4	TERMINAL INSULATOR	
19	56463427	1	SLEEVE 32 IN. NYLON	Not shown
20	56303274	1	CYLINDER HOPPER LIFT ASSEMBLY	items 21-23
21	56900153	1	ELBOW 45 DEG.O/R 6 E00004	
22	56303103	1	CYLINDER HOPPER LIFT	
23	56900103	1	ELBOW 90 DEG O/R 6 E00003	
24	56303276	2	HOSE ASSY HOPPER CYLINDER	
25	56303277	2	HOSE ASSY HOPPER DOOR	
6A	56303434	4	COIL 36VDC	1 per each Solenoid Valve above - Not shown
6A	56303437	1	SOLENOID VALVE ITEM 6	L6A

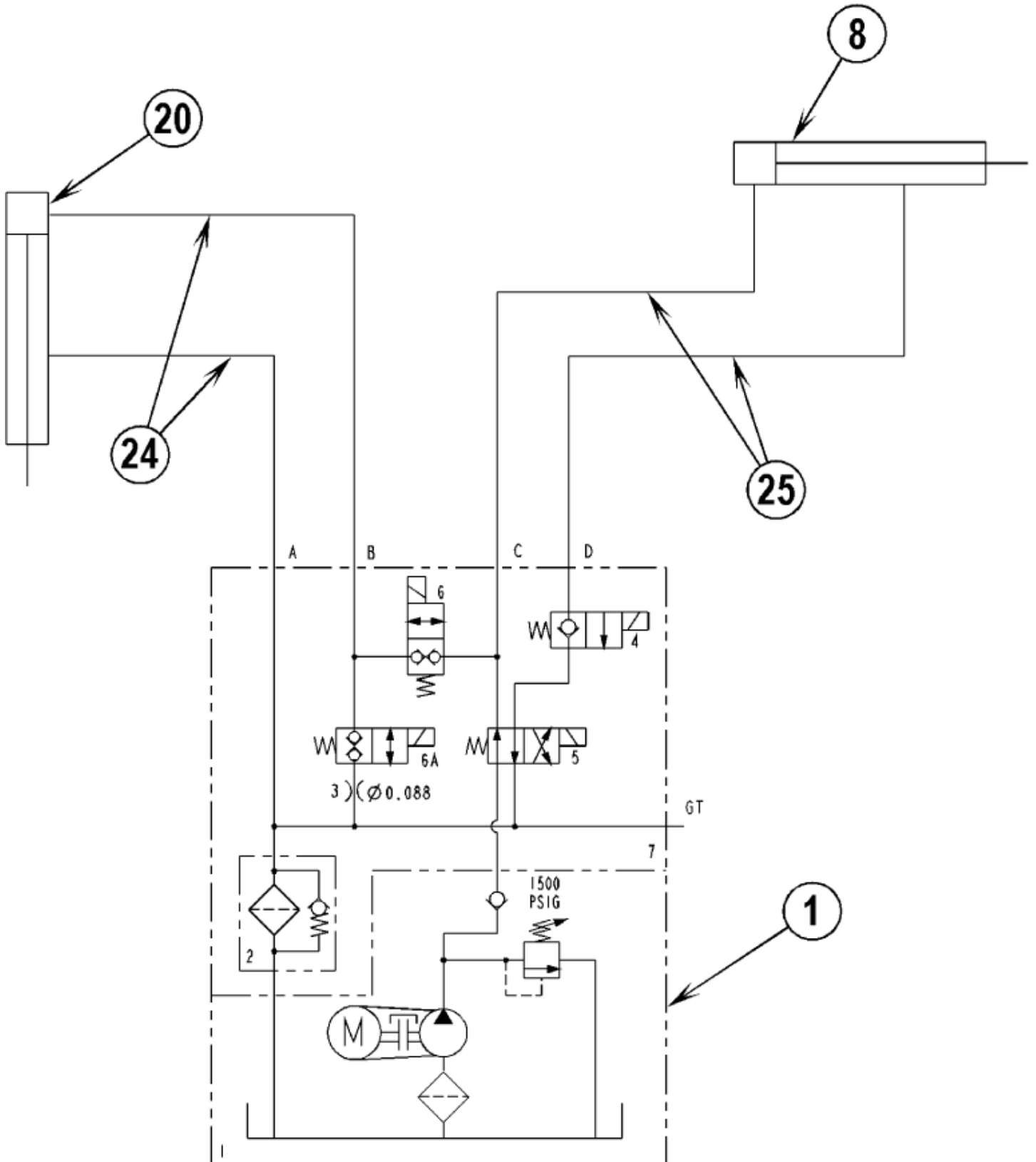
Hydraulic System 2 - Main Parts

23-11-2012

Part List ID
E153127

CR 1100B / 1200B

33



Hydraulic System 2 - Main Parts

CR 1100B / 1200B

23-11-2012

Part List ID

E153127

34

Pos	Part no.	Qty	Description
1	56303040	1	HYDRAULIC POWER UNIT TSBUS2006-916
8	56416121	1	HOPPER DOOR CYLINDER ASSY
20	56303274	1	CYLINDER HOPPER LIFT ASSEMBLY
24	56303276	2	HOSE ASSY HOPPER CYLINDER
25	56303277	2	HOSE ASSY HOPPER DOOR

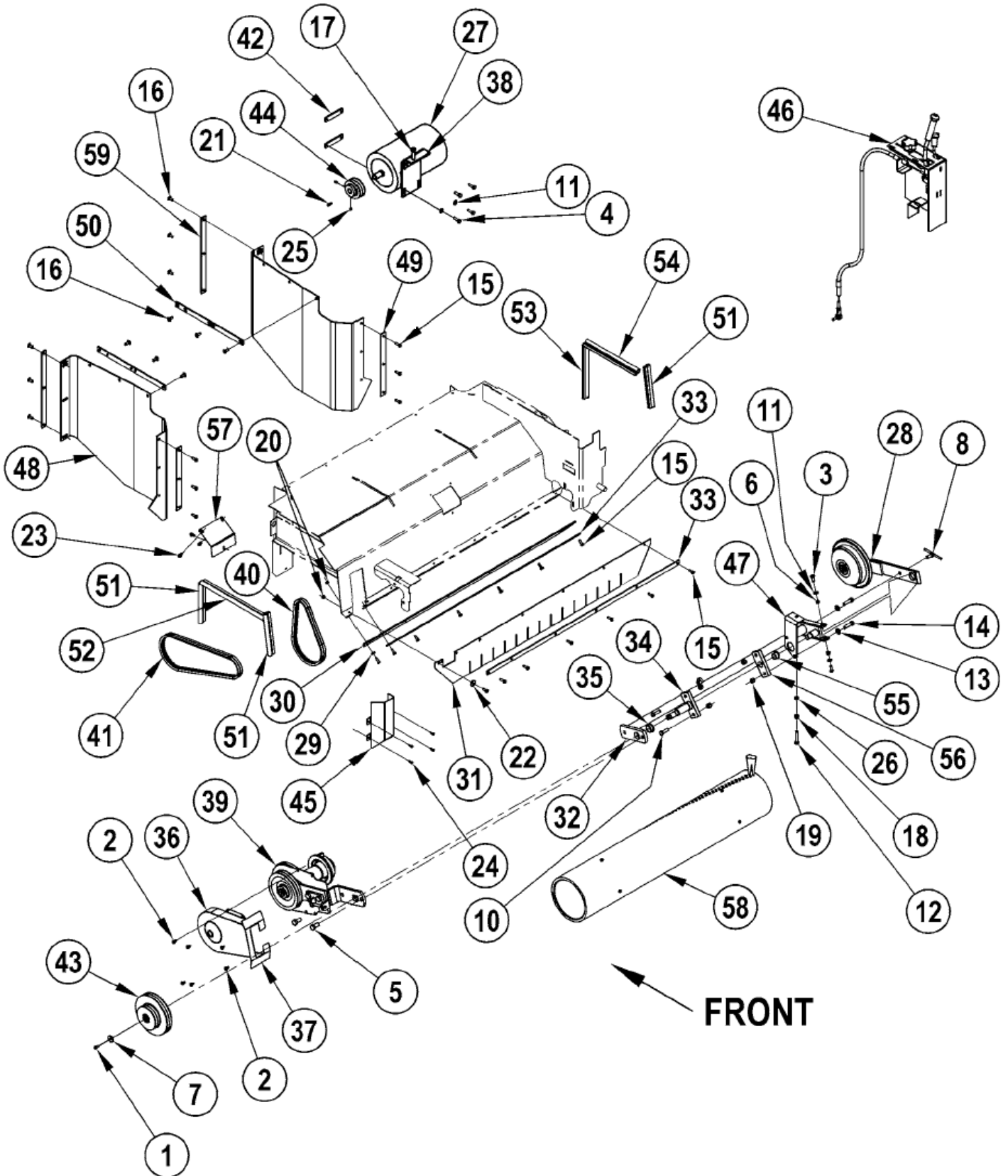
Main Broom System - Main Parts

CR 1100B / 1200B

23-11-2012

Part List ID
E153129

35



Main Broom System - Main Parts

CR 1100B / 1200B

23-11-2012

Part List ID

E153129

36

Pos	Part no.	Qty	Description	
1	56002922	1	SCR HEX LOC 1/4 20 X .62	
2	56009019	6	SCR HEX THD FORM 1/4 20X .38	
3	56002956	2	SCR HEX LOC 5/16 18 X .75	
4	56003073	4	SCR HEX LOC 5/16 18 X 1.00	
5	56003083	2	SCR HEX LOC 1/2 13 X 1.00	
6	56320595	2	BUSHING .31X.50X.28HC18M	
7	56388766	1	WSH FLT ZN .250 E00458	
8	56416382	1	BROOM ARM NUT WLMT.	
10	56002095	2	SCR HEX 3/8 16 X 1.50	
11	56001939	4	WSH FLT SAE 5/16	
12	56002013	1	SCR HEX THD/HD 5/16 18 X 2.00	
13	56002063	2	WSH FLT SAE 3/8	
14	56002095	2	SCR HEX 3/8 16 X 1.50	
15	56002155	20	SCR HEX 1/4 20 X .75	
16	56002395	12	SCR FLT PHIL 5/16 18 X .75	
17	56002470	1	SCR HEX THD/HD 3/8 16 X 2.00	
18	56002701	1	NUT HEX NYL LOC 5/16 18	
19	56002769	4	NUT HEX NYL LOC 3/8 16	
20	56002840	14	NUT HEX NYL LOC THIN 1/4 20	
21	56003238	1	KEY SQ .19 X .78	
22	56009002	1	WASHER FLAT .266X.906X.060	
23	56009033	3	SCR HEX THD FORM 1/4 20X.50	
24	56009039	4	SCR HEX THD FORM 10 24X .50	
25	56009076	2	SCR SOC SET LOC 1/4 20X.31	
26	56009086	1	NUT HEX JAM 5/16 18	
27	56303039	1	MOTOR 2.0 HP	
27	56303419	4	BRUSH CARBON	Not shown
27	56303444	4	SPRING BRUSH	Not shown
28	56303128	1	RIGHT BROOM ARM ASSEMBLY	
29	56002098	1	WSH FLT SAE 1/4	
30	56303148	1	BLADE HOPPER FABRIC RR	
31	56303149	1	BLADE HOPPER FABRIC RR	
32	56303273	1	MAIN BROOM HANGER WELDMENT PTD	
33	56303280	2	STRAP REAR	
34	56303366	1	SHAFT WELDMENT	
35	56303367	1	BEARING FL 1.125X 1.000X.500	
36	56303523	1	BELT GUARD WELDMENT PAINTED	
37	56303496	1	SHIELD	
38	56303506	1	BRACKET MOTOR ADJUSTER	
39	56303507	1	DRIVE LUG ASSEMBLY	
40	56303519	2	BELT 3VX280 SET OF 2 E00456	
41	56303520	2	BELT 3VX400 SET OF 2 E00456	
42	56303522	2	NUT PLATE	

Main Broom System - Main Parts

CR 1100B / 1200B

23-11-2012

Part List ID

E153129

37

Pos	Part no.	Qty	Description	
43	56303528	1	SHEAVE ASSEMBLY	
44	56303529	1	SHEAVE 3V 2.75	
45	56303532	1	GUARD BELT REAR	
46	56304753	1	BROOM LIFT ASSEMBLY	
47	56304919	1	BROOM ADJUSTER	
48	56304924	2	BLADE HOPPER FABRIC SIDE	
49	56304925	2	STRAP VERTICAL	
50	56305102	4	STRAP	Qty of 2 after SN 1789305
51	56305198	3	GASKET	
52	56305199	1	GASKET	
53	56305200	1	GASKET	
54	56305201	1	GASKET	
55	56305255	1	BEARING FLANGE	
56	56305276	1	PILLOW BLOCK	
57	56305819	1	COVER ACCESS	
58	56505951	1	MAIN BROOM POLY/WIRE 8 DBL	Optional
58	56505952	1	MAIN BROOM PROEX 12 DBL	Optional
58	56505953	1	MAIN BROOM NYLON 8 DBL ROWS	Optional
58	56505954	1	MAIN BROOM PROEX 8 DBL ROWS	Optional
58	56505955	1	MAIN BROOM PROEX/WIRE 8 DBL	
58	56505956	1	MAIN BROOM PROLENE 8 DBL ROWS	Optional
59	56305960	2	STRAP	After SN 1789305

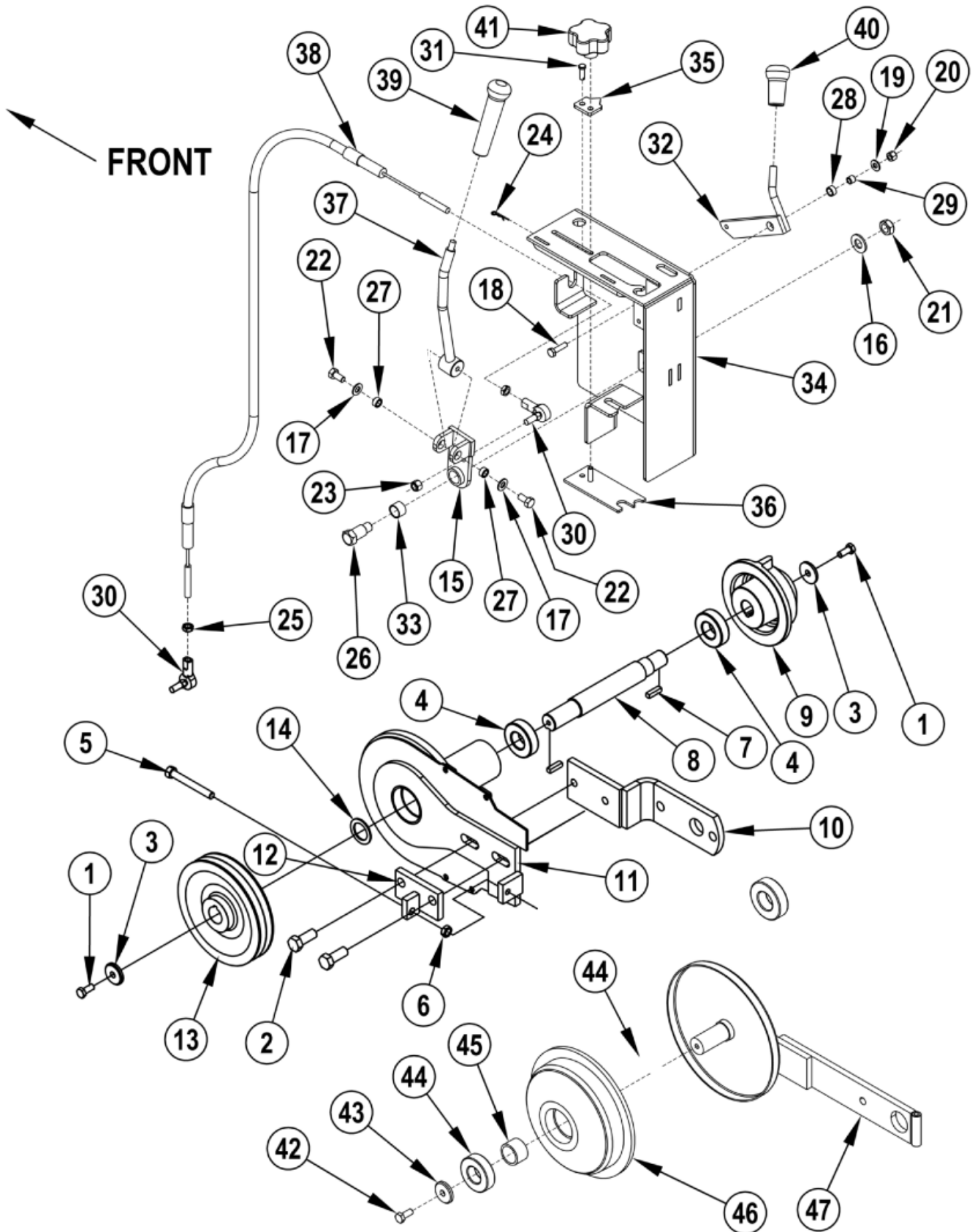
Main Broom System Sub-Assemblies - Main Pa

CR 1100B / 1200B

23-11-2012

Part List ID
E153131

38



Main Broom System Sub-Assemblies - Main Par

CR 1100B / 1200B

23-11-2012

Part List ID

E153131

39

Pos	Part no.	Qty	Description
0	56303128	1	RIGHT BROOM ARM ASSEMBLY
0	56303507	1	DRIVE LUG ASSEMBLY
0	56304753	1	BROOM LIFT ASSEMBLY
1	56002956	2	SCR HEX LOC 5/16 18 X .75
2	56003022	2	SCR HEX LOC 1/2 13 X 1.25
3	56358959	2	WSH PLATED AR131C
4	56479430	2	BEARING BALL .9843 RE470AG
5	56002204	1	SCR HEX 3/8 16 X 3.00
6	56002769	1	NUT HEX NYL LOC 3/8 16
7	56003244	2	KEY SQ .25 X .94
8	56303045	1	SHAFT BROOM DRIVE
9	56303087	1	HUB DRIVER
10	56303480	1	BROOM ARM WELDMENT PAINTED
11	56303509	1	BROOM ARM WELDMENT PAINTED
12	56303524	1	BELT TENSIONER WELDMENT PLATED
13	56303531	1	SHEAVE 3V 5.95
14	56304753	1	BROOM LIFT ASSEMBLY
14	56748926	1	WSH FLT STEEL 1.030PB125E00458
15	56305474	1	LIFT PIVOT WELDMENT
16	56001879	1	WSH FLT SAE 1/2
17	56001939	2	WSH FLT SAE 5/16
18	56002093	1	SCR HEX 1/4 20 X 1.00
19	56002098	1	WSH FLT SAE 1/4
20	56002708	1	NUT HEX NYL LOC 1/4 20
21	56002843	1	NUT HEX NYL LOC THIN 1/2 13
22	56002929	2	SCR HEX LOC 5/16 18 X .62
23	56002950	1	NUT HEX NYL LOC 5/16 24
24	56003332	1	PIN COT HAIR .042X188
25	56001884	2	NUT HEX JAM 5/16 24
26	56171336	1	BOLT SHOULDER
27	56320595	2	BUSHING .31X.50X.28HC18M
28	56368970	1	BEARING SLEEVE .375CV82FE00202
29	56368989	1	BUSHING .25X.37X.30CV82G
30	56477756	2	ROD END
31	56003663	1	PIN CLEVIS .250 X .750
32	56304345	1	LEVER WELDMENT
33	56304586	1	BEARING .750X.625X.500
34	56304752	1	BROOM LIFT WELDMENT
35	56304821	1	PLATE INDICATOR
36	56304822	1	STOP PLATE WELDMENT
37	56304825	1	LEVER WELDMENT
38	56305009	1	CABLE BROOM LIFT
39	56305010	1	KNOB BROOM

Main Broom System Sub-Assemblies - Main Par

CR 1100B / 1200B

23-11-2012

Part List ID

E153131

40

Pos	Part no.	Qty	Description
40	56305011	1	KNOB SOLUTION
41	56305030	1	KNOB ADJUSTING
42	56002956	1	SCR HEX LOC 5/16 18 X .75
43	56358959	1	WSH PLATED AR131C
44	56479430	2	BEARING BALL .9843 RE470AG
45	56479434	1	BUSHING 1.0X1.2X.78RE470AJ
46	56493845	1	HUB IDLER
47	56303279	1	RIGHT BROOM ARM WELDMENT PTD

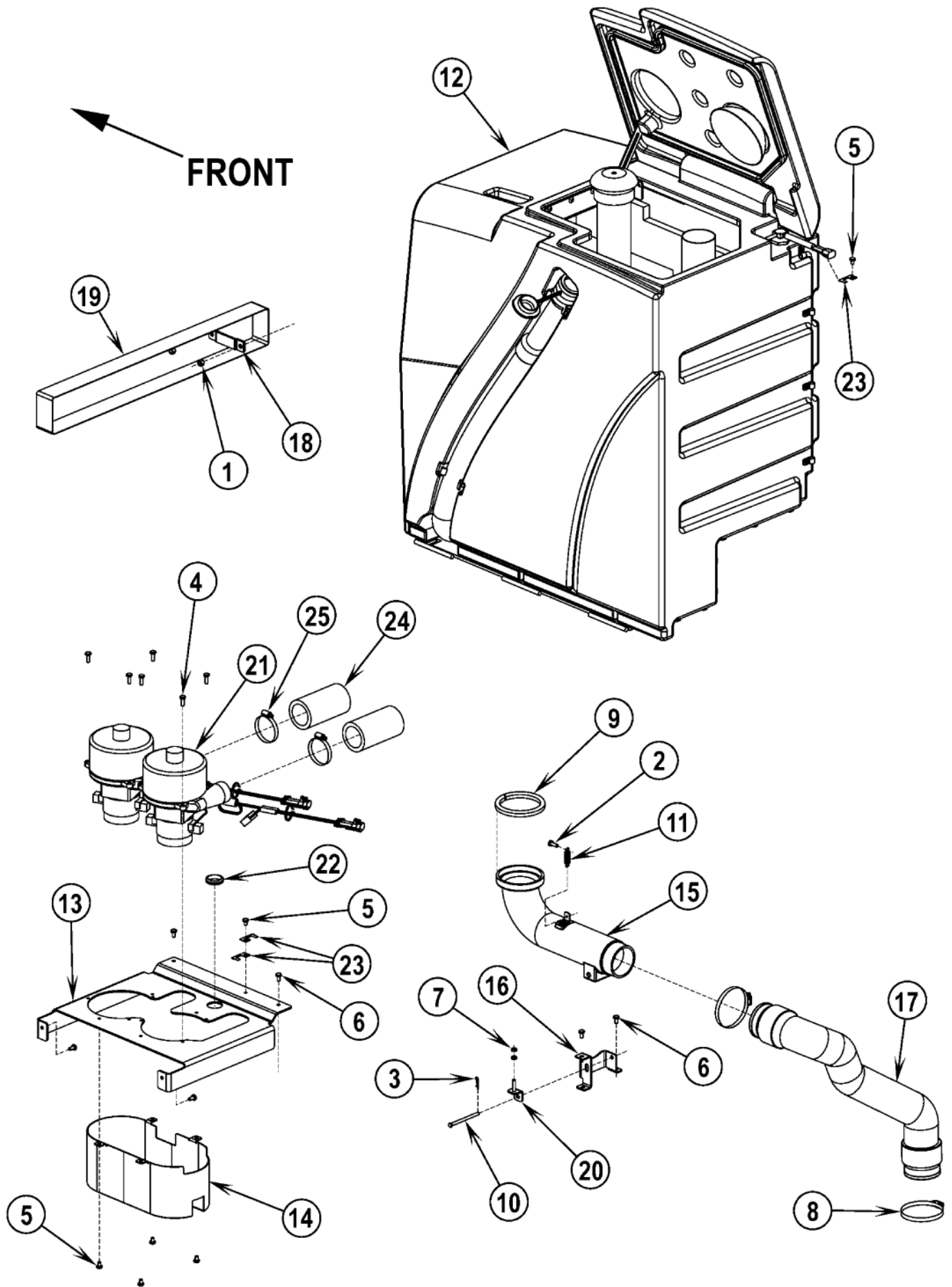
Recovery System - Main Parts

CR 1100B / 1200B

23-11-2012

Part List ID
E153133

41



Recovery System - Main Parts

CR 1100B / 1200B

23-11-2012

Part List ID
E153133

42

Pos	Part no.	Qty	Description	
1	56002701	2	NUT HEX NYL LOC 5/16 18	
2	56002948	1	SCR HEX LOC 1/4 20 X 0.75	
3	56003332	1	PIN COT HAIR .042X188	
4	56009018	6	SCR HEX THD FORM 1/4 20X .75	
5	56009019	6	SCR HEX THD FORM 1/4 20X .38	
6	56009033	6	SCR HEX THD FORM 1/4 20X.50	
7	56009087	2	NUT HEX JAM 1/4 20	
8	56352829	2	CLAMP HOSE SAE 52 E00047	
9	56109570	1	TRIM EDGE	NOTE 1 - TSBUS2006-920
10	56003669	1	CLEVIS PIN .50 X 3.00	
11	56112054	1	SPRING EXT .43X1.75E56B	
12	56303172	1	RECOVERY TANK ASSEMBLY	See Recovery Tank Assembly - CR 1200B
12	56303376	1	RECOVERY TANK ASSEMBLY	See Recovery Tank Assembly - CR 1100B
13	56303181	1	PLATE FAN MOUNT	
14	56303220	1	MOTOR GUARD WELDMENT	
15	56109531	1	SQUEEGEE TUBE	NOTE 2
16	56304844	1	MOUNT PIVOT	
17	56305377	1	HOSE ASSEMBLY	
18	56305488	1	TIE DOWN	
19	56305491	1	TETHER	
20	56305721	1	TAB ADJUST	
21	56212223	1	CARBON BRUSH SET OF 2	Not shown
21	56410065	2	VAC MOTOR ASSY	
22	56056871	1	GROMMET E00059	
23	56409769	3	CLIP WEATHER PACK	
24	56324358	2	HOSE E00191	
25	56440213	2	CLAMP HOSE SAE 32E00047	

NOTE 1: PN56109570 (roto-molded) replaces PN56307220 (stainless steel) for machines built after May 2009.
For machines built prior to SN1923312 see TSBUS2006-920.

NOTE 2: PN56109531 (roto-molded) replaces PN56304840 (stainless steel) for machines built after May 2009.

Recovery Tank Assembly CR 1100B - Main Part

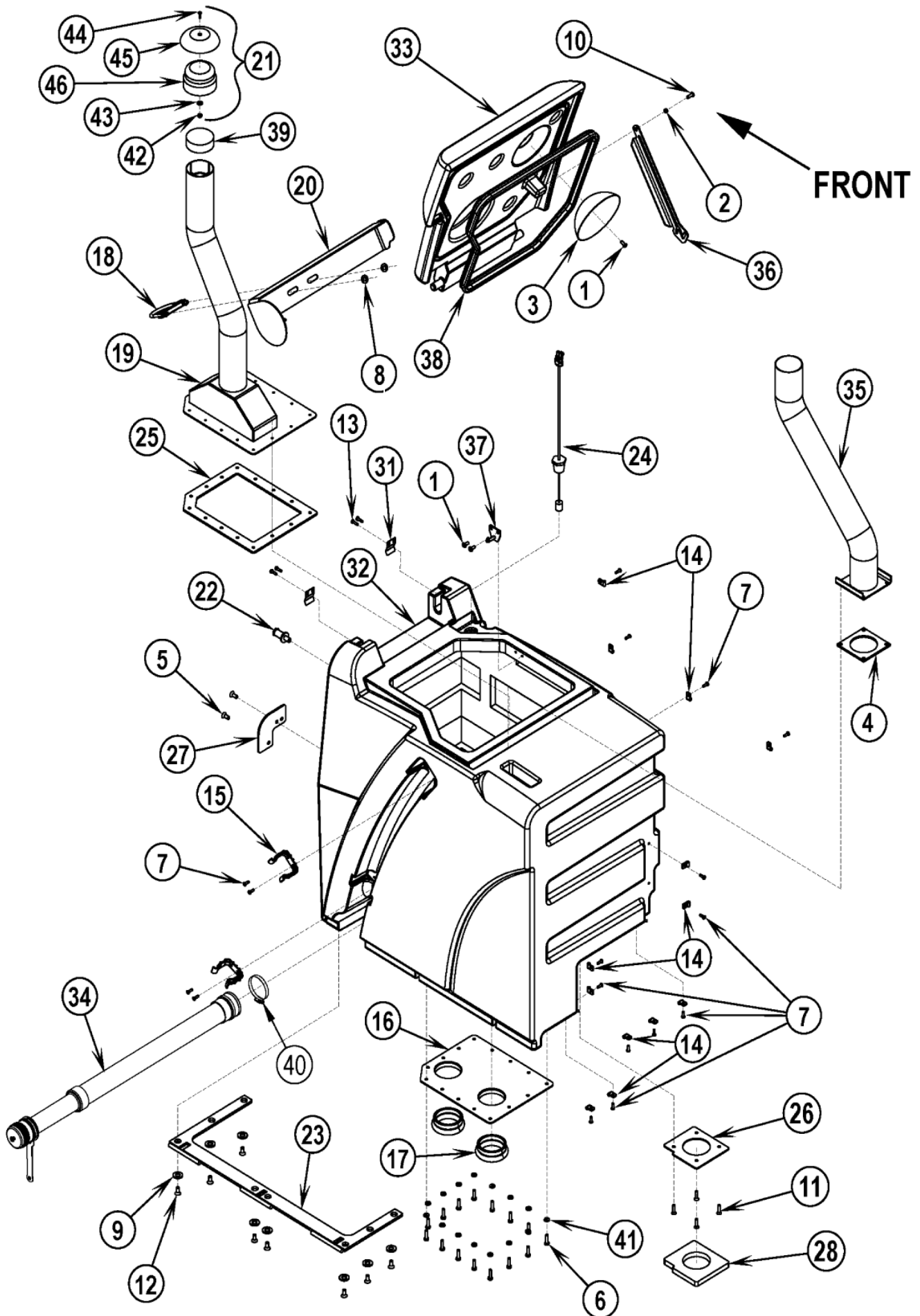
CR 1100B / 1200B

23-11-2012

Part List ID

E153135

43



Recovery Tank Assembly CR 1100B - Main Part

CR 1100B / 1200B

23-11-2012

Part List ID

E153135

44

Pos	Part no.	Qty	Description	
0	56303376	1	RECOVERY TANK ASSEMBLY	items 1-41
1	56009120	3	SCR PANPHIL SS TYPEB1/4 14X.62	
2	56206784	1	BUSHING SP626C	
3	56454718	1	DEFLECTOR	
4	56459136	1	GASKET	
5	56002395	2	SCR FLT PHIL 5/16 18 X .75	
6	56002883	15	SCR HEX SS 1/4 20 X 1.00	
7	56002896	17	SCR PAN PHIL SS 10 24 X .62	
8	56002910	2	WSH FLT SAE SS 3/8	
9	56002918	8	WSH FLT SAE SS 1/2	
10	56002957	1	SCR PAN PHIL SS 1/4 20 X .75	
11	56003074	4	SCR FLT PHIL SS 1/4 20X1.00	
12	56003689	8	SCR FLT PHIL SS 5/16 18 X .75	
13	56009005	4	SCR PANPHILS TYPE AB 10 16X.75	
14	56220507	13	CLAMP CABLE .187 E00129	TSBUS2005-875
15	56212236	2	CLAMP PLASTIC	
16	56303185	1	SEAL WELDMENT	
17	56303317	2	GASKET BULB	
18	56303330	1	CLAMP MUFFLER	
19	56303377	1	STANDTUBE WELDMENT 60	
20	56303385	1	BRACE RECOVERY TANK	
21	56303392	1	CAP RECOVERY VAC TUBE ASSEMBLY	items 42-46
22	56304864	1	PIN SLAM LOCK	
23	56304871	1	WELDMENT PIVOT	
24	56305977	1	SWITCH LIQUID LEVEL	TSBUS2005-875
25	56305054	1	GASKET	
26	56305060	1	PLATE SEAL SQUEEGEE	
27	56305202	1	PLATE TETHER COVER	
28	56307219	1	GASKET FOAM	TSBUS2006-920
31	56305457	2	CLIP	
32	56305523	1	TANK RECOVERY 60 GAL	
33	56305548	1	LID RECOVERY TANK 60 GAL	
34	56381927	1	DRAIN HOSE RIBBED	TSBUS2008-985
34	56601410	1	DRAIN HOSE EXTENSION	Optional, not included
34	56601411	1	DRAIN HOSE CAP KIT	TSBUS2008-985 - not shown
35	56305632	1	STANDPIPE WELDMENT RIGHT	
36	56305642	1	SUPPORT ARM	
37	56305644	1	PROP SUPPORT WELDMENT	
38	56305834	1	GASKET	
39	56303451	1	FILTER	
40	56456797	1	CLAMP HOSE	
41	56900737	15	WASHER SEALING E00256	
42	56002836	1	NUT HEX NYL LOC SS 10 24	

Recovery Tank Assembly CR 1100B - Main Part

CR 1100B / 1200B

23-11-2012

Part List ID

E153135

45

Pos	Part no.	Qty	Description
43	56009205	1	WSH FLT SS .219X.500X.047/.062
44	56002917	1	SCR FLT PHIL SS 10 24 X 1.00
45	56303383	1	CAP RECOVERY VAC TUBE
46	56303393	1	SCREEN FAN INLET LONG

Recovery Tank Assembly CR 1200B - Main Part

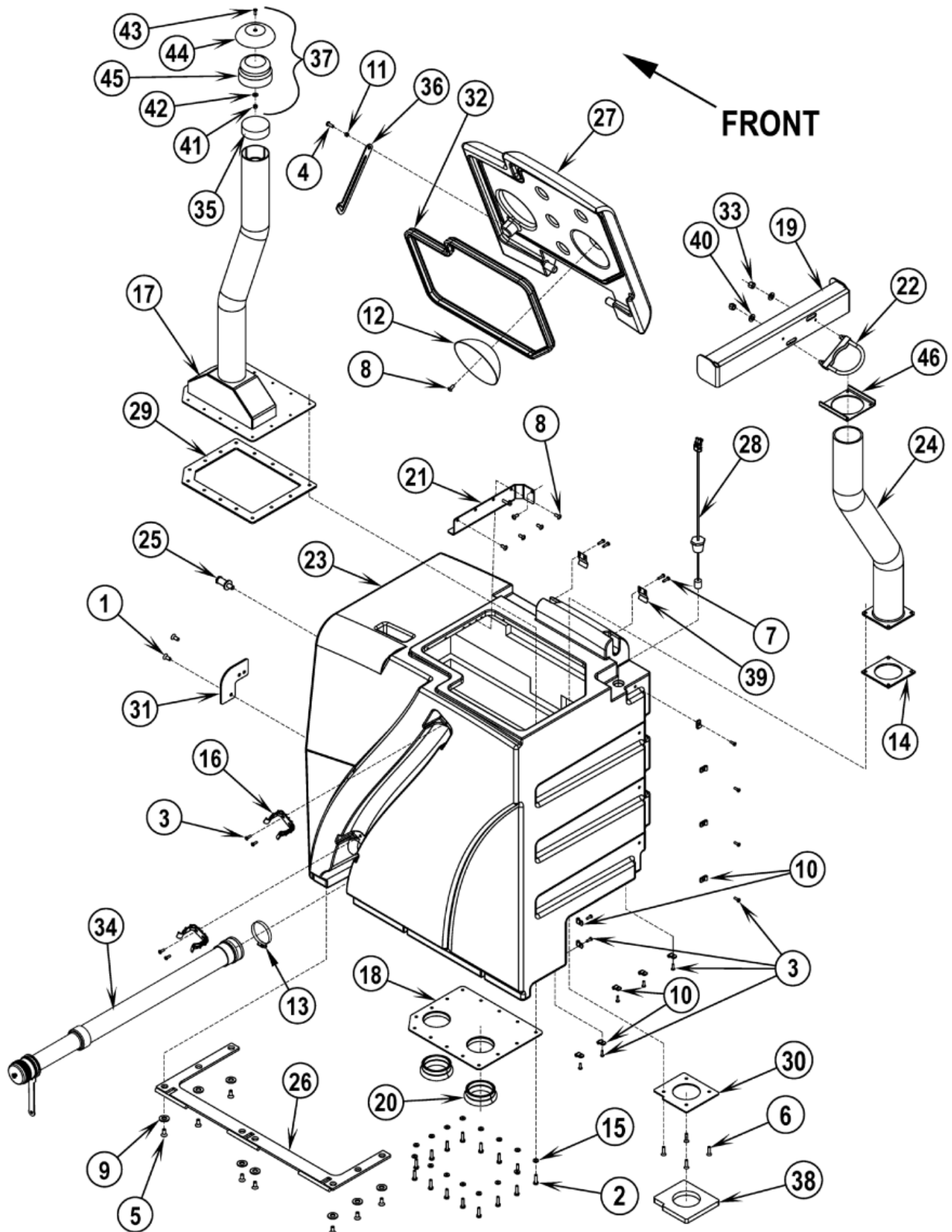
CR 1100B / 1200B

23-11-2012

Part List ID

E153137

46



Recovery Tank Assembly CR 1200B - Main Part

CR 1100B / 1200B

23-11-2012

Part List ID

E153137

47

Pos	Part no.	Qty	Description	
0	56303172	1	RECOVERY TANK ASSEMBLY	items 1-40
0	56478246	2	CABLE TIE E00549 RE438BA	Not shown
1	56002395	2	SCR FLT PHIL 5/16 18 X .75	
2	56002883	15	SCR HEX SS 1/4 20 X 1.00	
3	56002896	15	SCR PAN PHIL SS 10 24 X .62	
4	56002957	1	SCR PAN PHIL SS 1/4 20 X .75	
5	56003689	8	SCR FLT PHIL SS 5/16 18 X .75	
6	56003742	4	SCR FLT PHIL SS 1/4 20X1.25	
7	56009005	4	SCR PANPHILS TYPE AB 10 16X.75	
8	56009120	6	SCR PANPHIL SS TYPEB1/4 14X.62	
9	56002918	8	WSH FLT SAE SS 1/2	
10	56220507	11	CLAMP CABLE .187 E00129	TSBUS2005-875
11	56206784	1	BUSHING SP626C	
12	56454718	1	DEFLECTOR	
13	56456797	1	CLAMP HOSE	
14	56459136	1	GASKET	
15	56900737	15	WASHER SEALING E00256	
16	56212236	2	CLAMP PLASTIC	
17	56303180	1	STANDTUBE WELDMENT	
18	56303185	1	SEAL WELDMENT	
19	56303235	1	BRACE RECOVERY TANK	
20	56303317	2	GASKET BULB	
21	56303328	1	SUPPORT WELDMENT	
22	56109568	1	CLAMP MUFFLER	
23	56304483	1	RECOVERY TANK	
24	56109530	1	STANDPIPE RIGHT	NOTE 1
25	56304864	1	PIN SLAM LOCK	
26	56304871	1	WELDMENT PIVOT	
27	56305005	1	LID RECOVERY TANK	
28	56305977	1	SWITCH LIQUID LEVEL	TSBUS2005-875
29	56305054	1	GASKET	
30	56305060	1	PLATE SEAL SQUEEGEE	
31	56305202	1	PLATE TETHER COVER	
32	56305203	1	GASKET	
33	56003219	2	NUT HEX NYL LOC SS 3/8 16	
34	56381930	1	DRAIN HOSE RIBBED	TSBUS2008-985
34	56601410	1	DRAIN HOSE EXTENSION	Optional, not included
34	56601411	1	DRAIN HOSE CAP KIT	TSBUS2008-985 - not shown
35	56303451	1	FILTER	
36	56305236	1	SLIDE	
37	56303392	1	CAP RECOVERY VAC TUBE ASSEMBLY	items 41-45
38	56307219	1	GASKET FOAM	TSBUS2006-920
39	56305457	2	CLIP	

NOTE 1= If you need to replace an old stainless steel standpipe (56304653) please order Standpipe Kit 56109569.

Recovery Tank Assembly CR 1200B - Main Part

CR 1100B / 1200B

23-11-2012

Part List ID

E153137

48

Pos	Part no.	Qty	Description
40	56002910	2	WSH FLT SAE SS 3/8
41	56002836	1	NUT HEX NYL LOC SS 10 24
42	56009205	1	WSH FLT SS .219X.500X.047/.062
43	56002917	1	SCR FLT PHIL SS 10 24 X 1.00
44	56303383	1	CAP RECOVERY VAC TUBE
45	56303393	1	SCREEN FAN INLET LONG
46	56109532	1	PLATE STANDPIPE

NOTE 1= If you need to replace an old stainless steel standpipe (56304653) please order Standpipe Kit 56109569.

Scrub System - Main Parts

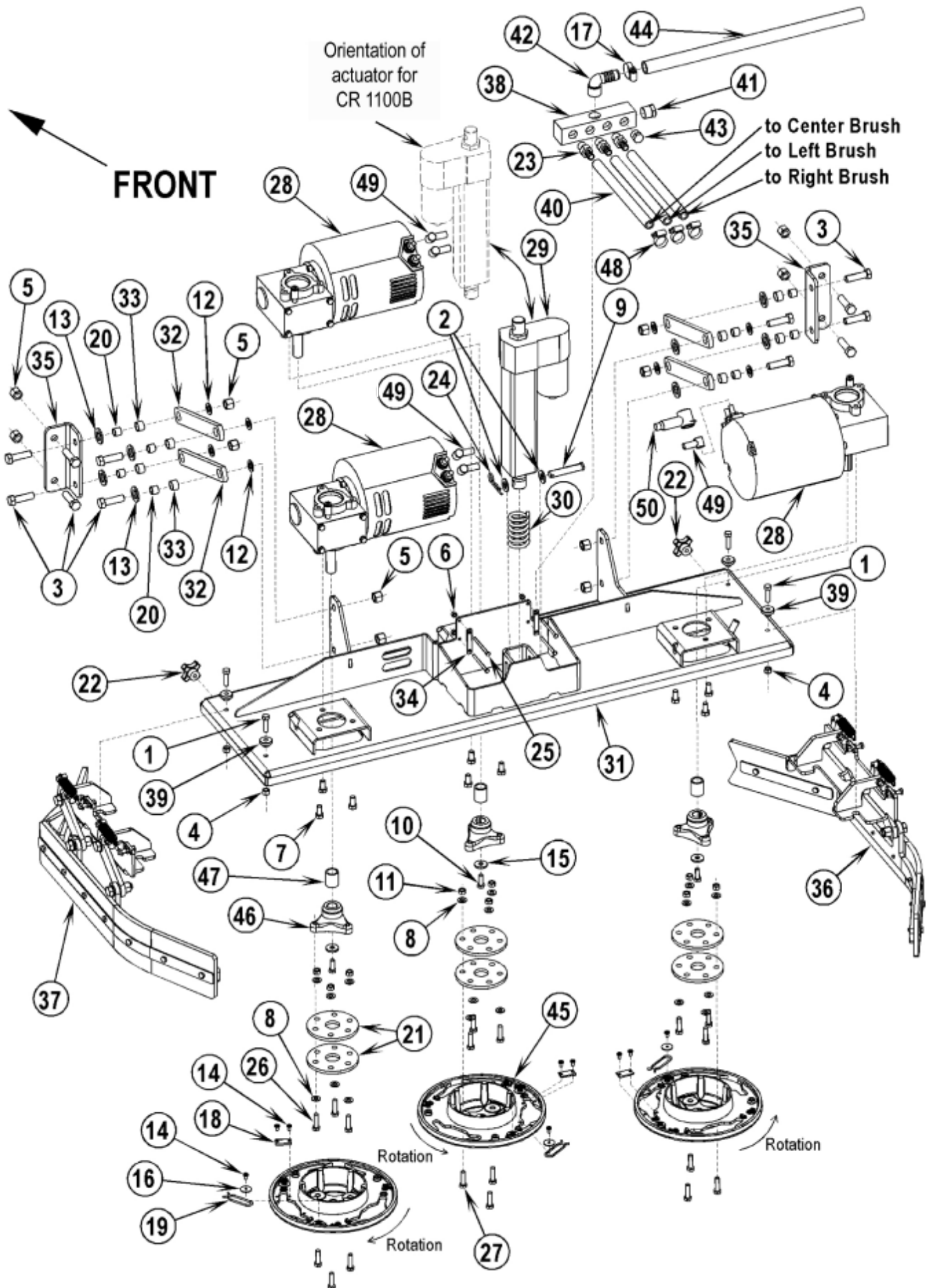
CR 1100B / 1200B

23-11-2012

Part List ID

E153139

49



Scrub System - Main Parts

CR 1100B / 1200B

23-11-2012

Part List ID
E153139

50

Pos	Part no.	Qty	Description	
1	56001834	4	SCR HEX 5/16 18 X 1.25	
2	56001879	2	WSH FLT SAE 1/2	
3	56001995	12	SCR HEX 1/2 13 X 1.75	
4	56002701	4	NUT HEX NYL LOC 5/16 18	
5	56002770	12	NUT HEX NYL LOC 1/2 13	
6	56002836	4	NUT HEX NYL LOC SS 10 24	
7	56002885	9	SCR HEX SS 3/8 16 X .75	
8	56002938	18	WSH FLT SAE SS 5/16	
9	56003207	1	CLEVIS PIN	
10	56003372	3	SCR HEX LOC SS 5/16 X18X 1.25	
11	56003405	9	NUT HEX NYL LOC SS M8X1.25	
12	56009017	8	WSH FLT HDN .516X.938X.075	
13	56009022	8	WSH FLT .752/.756X1.250X.125	
14	56009030	9	SCR PAN PHIL THD FOM 10 24X.38	
15	56009057	3	WSH FLT HDN .344X1.0X.120/.13	
16	56009096	3	WSH FLT .193X.875X.060	
17	56244969	1	CLAMP HOSE SAE 12 E00047	
18	56366455	3	PLATE CV24B	
19	56366463	3	SPRING RETAINER CV24C	
20	56367206	8	BUSHING CV32G	
21	56407053	6	THERMOID DISC	
22	56407303	2	KNOB	
23	56412184	3	BARB ADAPTER 1/2 E00039	
24	56003222	1	PIN COT HAIR .125 X DIA.50/.75	
25	56003131	4	SCR HEX SS 10 24 X 2.50	
26	56003278	9	SCR HEX LOC SS M8 1.25 X 30MM	
27	56003639	9	SCR HEX SS M8 1.25 X 30MM	
28	56303083	3	GEARMOTOR ASSEMBLY	
28	56303419	1	BRUSH CARBON	Not shown
28	56303444	1	SPRING BRUSH	Not shown
29	56303095	1	ACTUATOR SCRUB DECK	
30	56303106	1	COMPRESSION SPRING	
31	56303335	1	DECK WELDMENT 48	CR 1200
31	56303428	1	DECK 43 SCRUB WELDMENT	CR 1100
32	56305467	4	ARM PARALLEL 7.5	
33	56304586	8	BEARING .750X.625X.500	
34	56304601	2	PLATE	
35	56304605	2	MOUNT CHASSIS SCRUB DECK	
36	56304988	1	SIDE SKIRT ASSEMBLY RIGHT	see Scrub system skirt-assemblies
37	56304998	1	SIDE SKIRT ASSEMBLY LEFT	see Scrub system skirt-assemblies
38	56305090	1	MANIFOLD SOLUTION	
39	56305258	4	MOUNTING LUGS	
40	56303395	3	HOSE .750 X 31	CR 1200

Scrub System - Main Parts

CR 1100B / 1200B

23-11-2012

Part List ID

E153139

51

Pos	Part no.	Qty	Description	
40	56303423	3	HOSE SPIRAL .750 X 26	CR 1100
41	56305464	1	PLUG PIPE E00040	
42	56305545	1	BARB ELBOW MALE 90 E00037	
43	56305547	1	PLUG PIPE E00040	
44	56303394	1	HOSE SPIRAL .750 X 25	
45	56314030	3	BRUSH HOLDER	
46	56314108	3	HUB DRIVE	
47	56314109	3	SPACER	
48	56112771	3	CLAMP HOSE SAE 10 E00047	
49	56492305	5	BOOT	
50	56493357	1	INSULATOR TERMINAL	

Scrub System Skirt-Assemblies - Main Parts

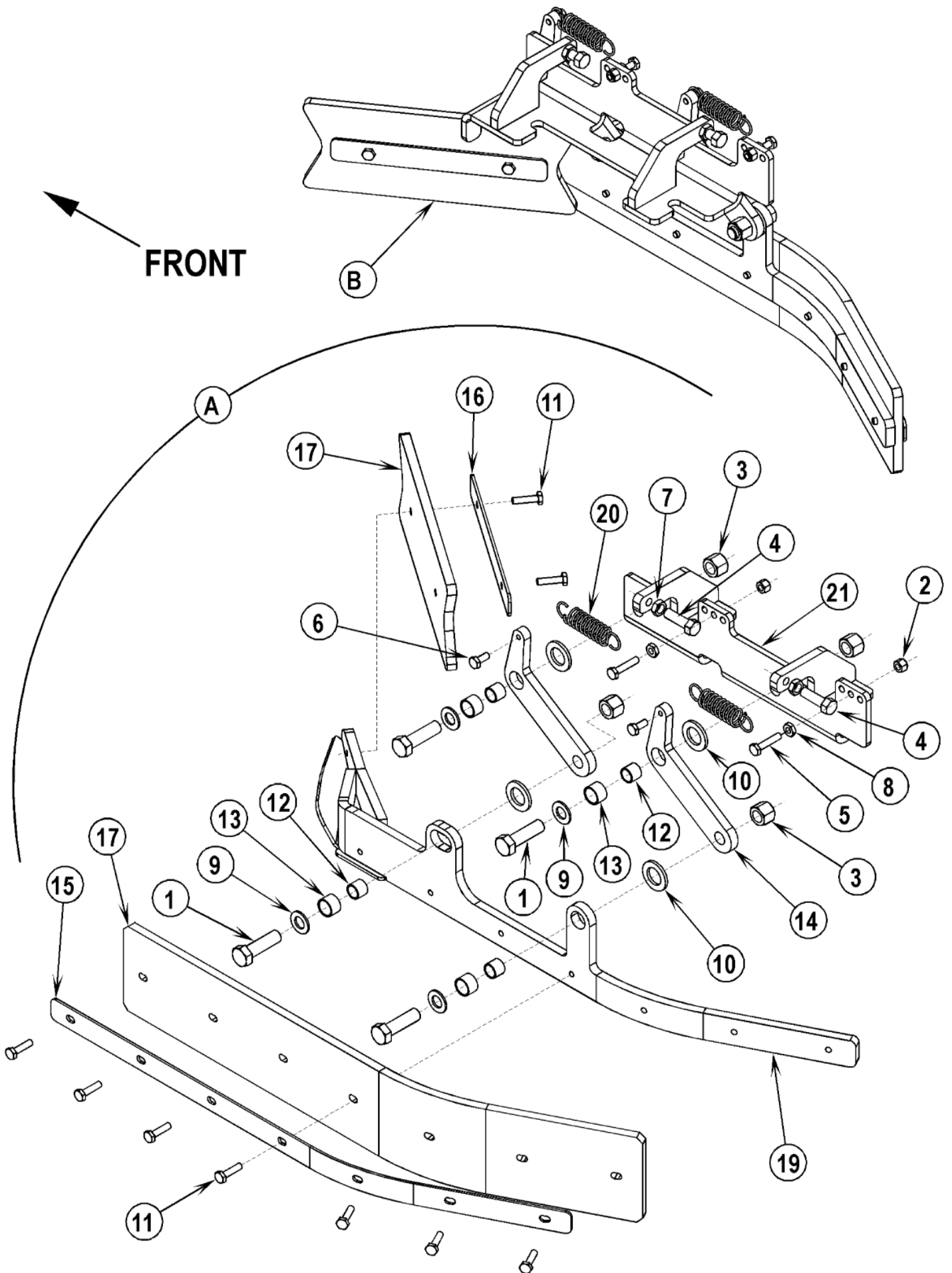
CR 1100B / 1200B

23-11-2012

Part List ID

E153141

52



Scrub System Skirt-Assemblies - Main Parts

CR 1100B / 1200B

23-11-2012

Part List ID
E153141

53

Pos	Part no.	Qty	Description	
0	56305685	1	BLADE KIT DISC NEOPRENE	contains 2 long blades and 2 short blades
1	56001995	4	SCR HEX 1/2 13 X 1.75	
2	56002491	2	NUT HEX NYL LOC SS 1/4 20	
3	56002770	4	NUT HEX NYL LOC 1/2 13	
4	56001858	2	SCR HEX 3/8 16 X 1.25	
5	56002901	2	SCR HEX SS 1/4 20 X 1.50	
6	56002922	2	SCR HEX LOC 1/4 20 X .62	
7	56002769	2	NUT HEX NYL LOC 3/8 16	
8	56003145	2	NUT HEX JAM SS 1/4 20	
9	56009017	4	WSH FLT HDN .516X.938X.075	
A	56304998	1	SIDE SKIRT ASSEMBLY LEFT	items 1-21
B	56304988	1	SIDE SKIRT ASSEMBLY RIGHT	items 1-21
10	56009022	4	WSH FLT .752/.756X1.250X.125	
11	56009054	9	SCR HEX TYPE 23 1/4 20X1.00	
12	56367206	4	BUSHING CV32G	
13	56304586	4	BEARING .750X.625X.500	
14	56304993	2	ARM PARALLEL SIDE SKIRTS	
15	56304994	1	STRAP LONG SIDE SKIRTS	
16	56304995	1	STRAP SHORT SKIRTS	
17	56305697	1	BLADE KIT DISC RED GUM	contains 2 long blades and 2 short blades
19	56304989	1	SIDE SKIRT WELDMENT RIGHT	56304988 assy - Not shown
19	56304999	1	SIDE SKIRT WLMT LEFT	56304998 assy
20	56305253	2	SPRING EXTENSION	
21	56305879	1	MOUNT SIDE SKIRT SQUEEGEE WLMT	56304998 assy
21	56305880	1	MOUNT SIDE SKIRT SQUEEGEE WLMT	56304988 assy - Not shown

NOTE: All quantities are for ONE side skirt assembly only. There are two side skirt assemblies on the machine.

Side Broom System - Main Parts

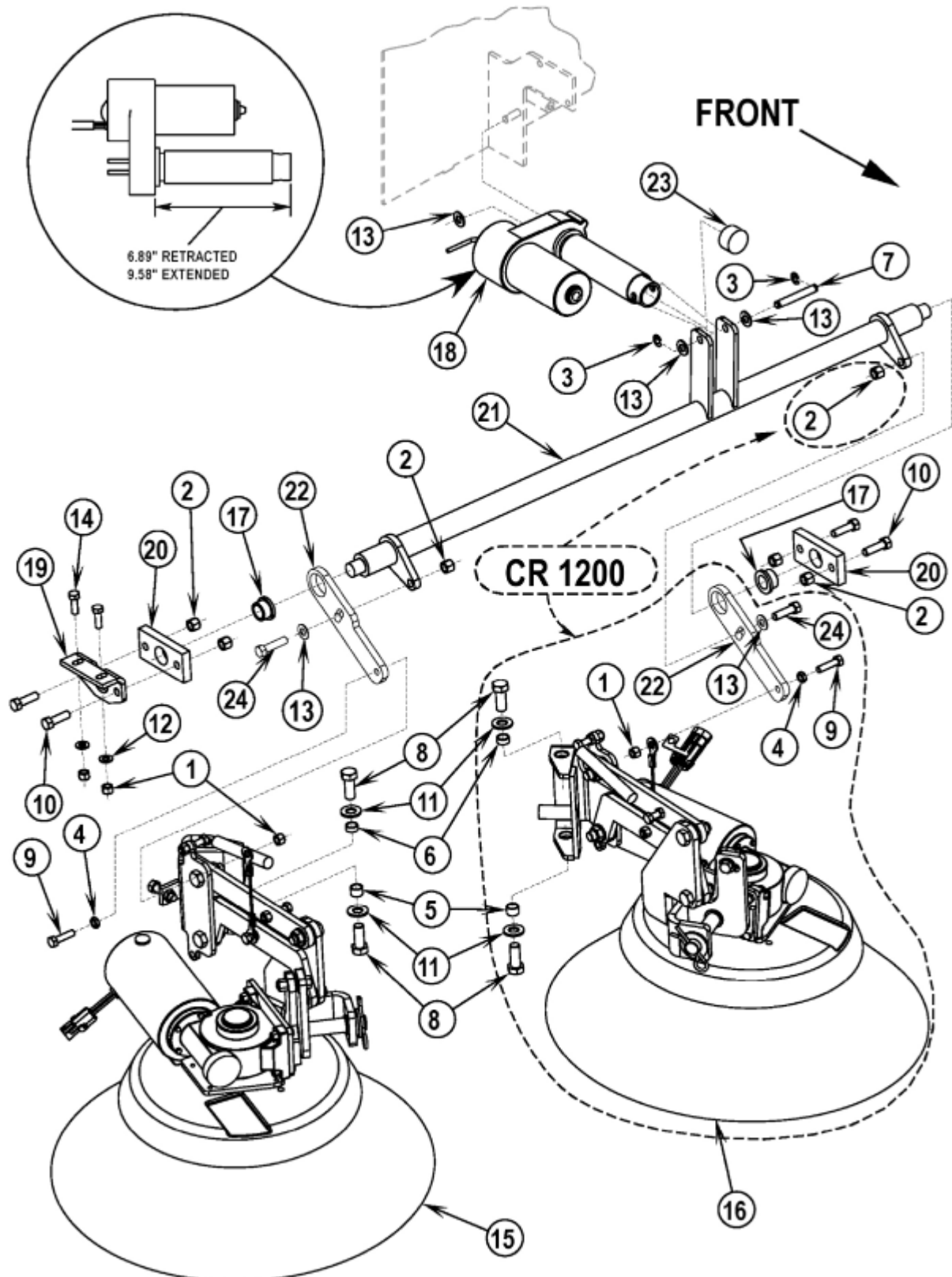
CR 1100B / 1200B

23-11-2012

Part List ID

E153143

54



Side Broom System - Main Parts

CR 1100B / 1200B

23-11-2012

Part List ID
E153143

55

Pos	Part no.	Qty	Description	
1	56002701	4	NUT HEX NYL LOC 5/16 18	
2	56002769	6	NUT HEX NYL LOC 3/8 16	
3	56003262	2	RING RET EXT TYPE E	
4	56009086	2	NUT HEX JAM 5/16 18	
5	56360627	2	BUSHING .50X.62X.41CT32G	
6	56365030	2	BUSHING CA334D	
7	56412088	1	PIN	
8	56001831	4	SCR HEX 1/2 13 X 1.25	
9	56001834	2	SCR HEX 5/16 18 X 1.25	
10	56002095	4	SCR HEX 3/8 16 X 1.50	qty of 6 before SN1767915
11	56001879	4	WSH FLT SAE 1/2	
12	56001939	2	WSH FLT SAE 5/16	
13	56002063	3	WSH FLT SAE 3/8	Qty of 3 before SN1767915
14	56002221	2	SCR HEX 5/16 18 X 1.00	
15	56303037	1	SIDE BROOM ASSY RIGHT 4800B	
16	56303038	1	SIDE BROOM ASSY LEFT 4800B	CR 1200B
17	56303071	2	BEARING FLANGE	
18	56303119	1	ACTUATOR MOTOR	
19	56305080	1	BRACKET SIDE BROOM LIFT	
20	56305091	2	PILLOW BLOCK	
21	56305442	1	LIFTER SHAFT WELDMENT	
22	56305470	2	ARM SIDE BROOM LIFT	Qty of 1 on CR 1100 models - NOTE 1
23	56305798	1	FOAM SEAL	
24	56002095	2	SCR HEX 3/8 16 X 1.50	used after SN1767914

NOTE 1: The design of this part changed as of SN17679145. It is a direct replacement for the previous design except that it requires item 24 and item 13. It

Side Broom System Sub-Assembly - Main Part

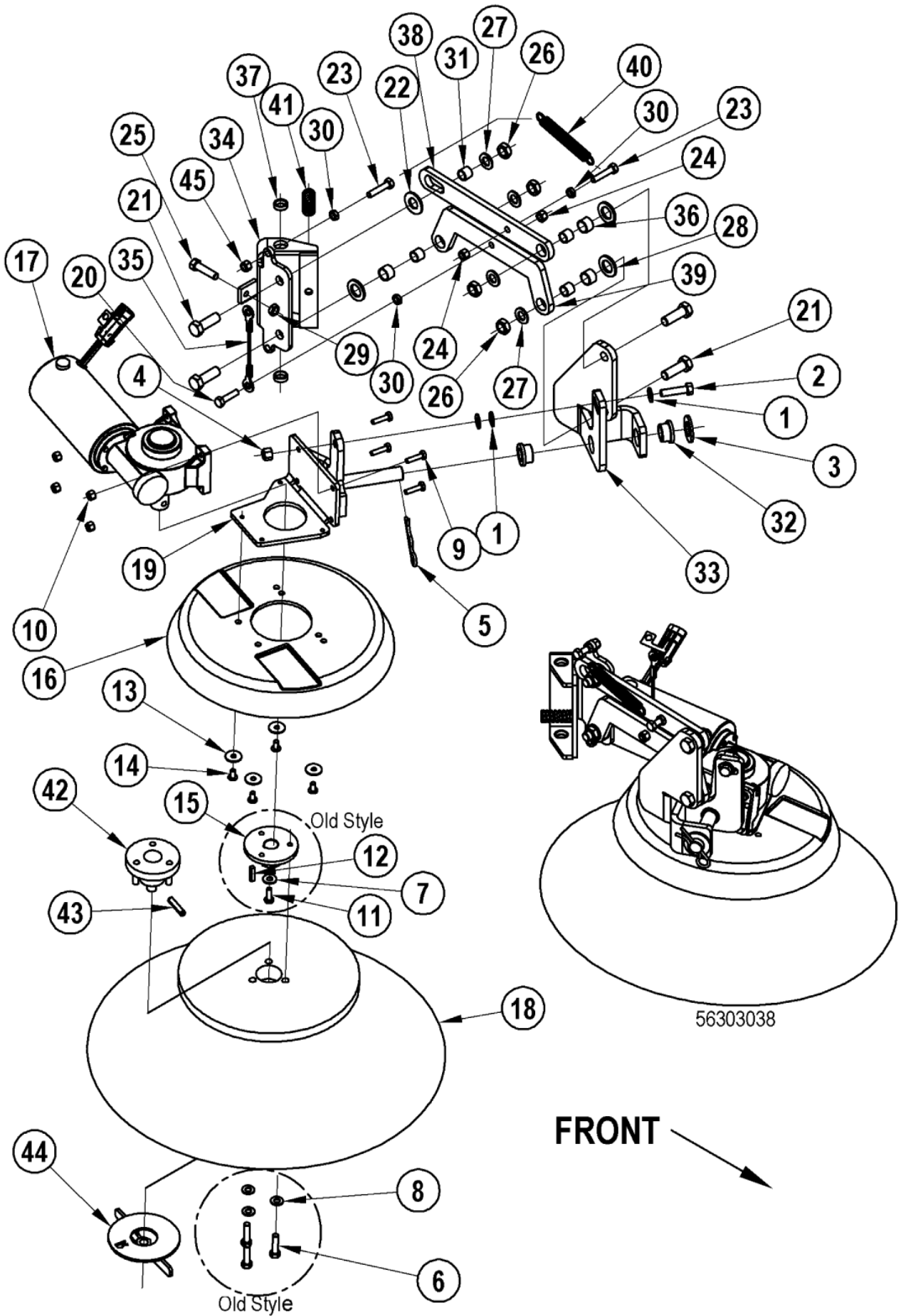
CR 1100B / 1200B

23-11-2012

Part List ID

E153145

56



Side Broom System Sub-Assembly - Main Parts

CR 1100B / 1200B

23-11-2012

Part List ID

E153145

57

Pos	Part no.	Qty	Description	
0	56303037	1	SIDE BROOM ASSY RIGHT 4800B	items 1-44
0	56303038	1	SIDE BROOM ASSY LEFT 4800B	CR 1200B only - items 1-44
0	56303256	1	SIDE BROOM ASSY/GEARMOTOR LEFT	items 6-19, 42-44
0	56303257	1	SIDE BROOM ARM ASSY LEFT	items 20-42
0	56303258	1	SIDE BROOM ASSY/GEARMOTOR RT.	items 6-19, 42-44
0	56303259	1	SIDE BROOM ARM ASSY RIGHT	items 20-42
1	56002063	3	WSH FLT SAE 3/8	
2	56002095	1	SCR HEX 3/8 16 X 1.50	
3	56002141	1	WSH FLT SAE 3/4	
4	56002769	1	NUT HEX NYL LOC 3/8 16	
5	56003223	1	PIN COT HAIR.148 X DIA.62/1.00	
6	56001834	3	SCR HEX 5/16 18 X 1.25	NOTE 1
7	56001906	1	WSH FLT STD 1/4	NOTE 1
8	56001939	3	WSH FLT SAE 5/16	NOTE 1
9	56002093	4	SCR HEX 1/4 20 X 1.00	
10	56002708	4	NUT HEX NYL LOC 1/4 20	
11	56002948	1	SCR HEX LOC 1/4 20 X 0.75	NOTE 1
12	56003239	1	KEY SQ .19 X 1.00	NOTE 1
13	56009002	4	WASHER FLAT .266X.906X.060	
14	56009069	4	SCR PAN PHIL LOC 1/4 20X.50	
15	56416023	1	HUB	NOTE 1
16	56416538	1	BROOM GUARD	
17	56303442	1	GEARMOTOR ASSEMBLY 36VDC	NOTE 2
17	56303443	1	GEAR MOTOR ASSEMBLY 36VDC	NOTE 2
17	56410307	1	RIGHT GEARMOTOR ASSY	NOTE 1
17	56416578	1	GEARMOTOR ASSY	NOTE 1
17	56416608	2	BRUSH .25 X .38/SET OF 2	Not shown
18	56462252	1	BROOM POLY SIDE	
19	56303270	1	RT. SIDE BROOM BRKT. WELDMENT	
19	56303272	1	LEFT SIDE BROOM BRKT. WELDMENT	
20	56001834	1	SCR HEX 5/16 18 X 1.25	
21	56001968	4	SCR HEX 1/2 13 X 1.50	
22	56002022	1	WSH FLT SAE 5/8	
23	56002094	2	SCR HEX 5/16 18 X 1.50	
24	56002701	2	NUT HEX NYL LOC 5/16 18	
25	56002747	1	SCR HEX THD/HD 3/8 16 X 1.50	
26	56002843	4	NUT HEX NYL LOC THIN 1/2 13	
27	56009017	4	WSH FLT HDN .516X.938X.075	
28	56009022	3	WSH FLT .752/.756X1.250X.125	
29	56002769	1	NUT HEX NYL LOC 3/8 16	
30	56009086	3	NUT HEX JAM 5/16 18	
31	56367206	4	BUSHING CV32G	
32	56303071	2	BEARING FLANGE	

Note 1: Used on machines built before May 2004.

Note 2: Used on machines built after April 2004.

Side Broom System Sub-Assembly - Main Parts

CR 1100B / 1200B

23-11-2012

Part List ID

E153145

58

Pos	Part no.	Qty	Description	
33	56303269	1	RT. SIDE BROOM BRKT. WELDMENT	
33	56303271	1	LEFT SIDE BROOM BRKT. WELDMENT	
34	56304052	1	SIDE BROOM HINGE WELDMENT	
35	56304126	1	CABLE ASSEMBLY	
36	56304586	3	BEARING .750X.625X.500	
37	56304893	2	BEARING SLEEVE .625X.750X.25	
38	56305460	1	ARM SIDE BROOM	
39	56305462	1	ARM SIDE BROOM LOWER	
40	56448112	1	SPRING EXTENSION	
41	56761327	1	SPRING COMP.73X1.75 E00453	
42	56305723	1	LEFT SIDE BROOM HUB ASSY	NOTE 2
42	56418543	1	RIGHT SIDE BROOM HUB ASSY	NOTE 2
43	56003494	1	PIN SPRING 5/16 X 1.38	NOTE 2
44	56305725	1	LEFT THUMB NUT WELDMENT	NOTE 2
44	56305731	1	RIGHT THUMB NUT WELDMENT	NOTE 2
45	56002826	1	NUT HEX NYL LOC THIN 5/16 18	

Note 1: Used on machines built before May 2004.

Note 2: Used on machines built after April 2004.

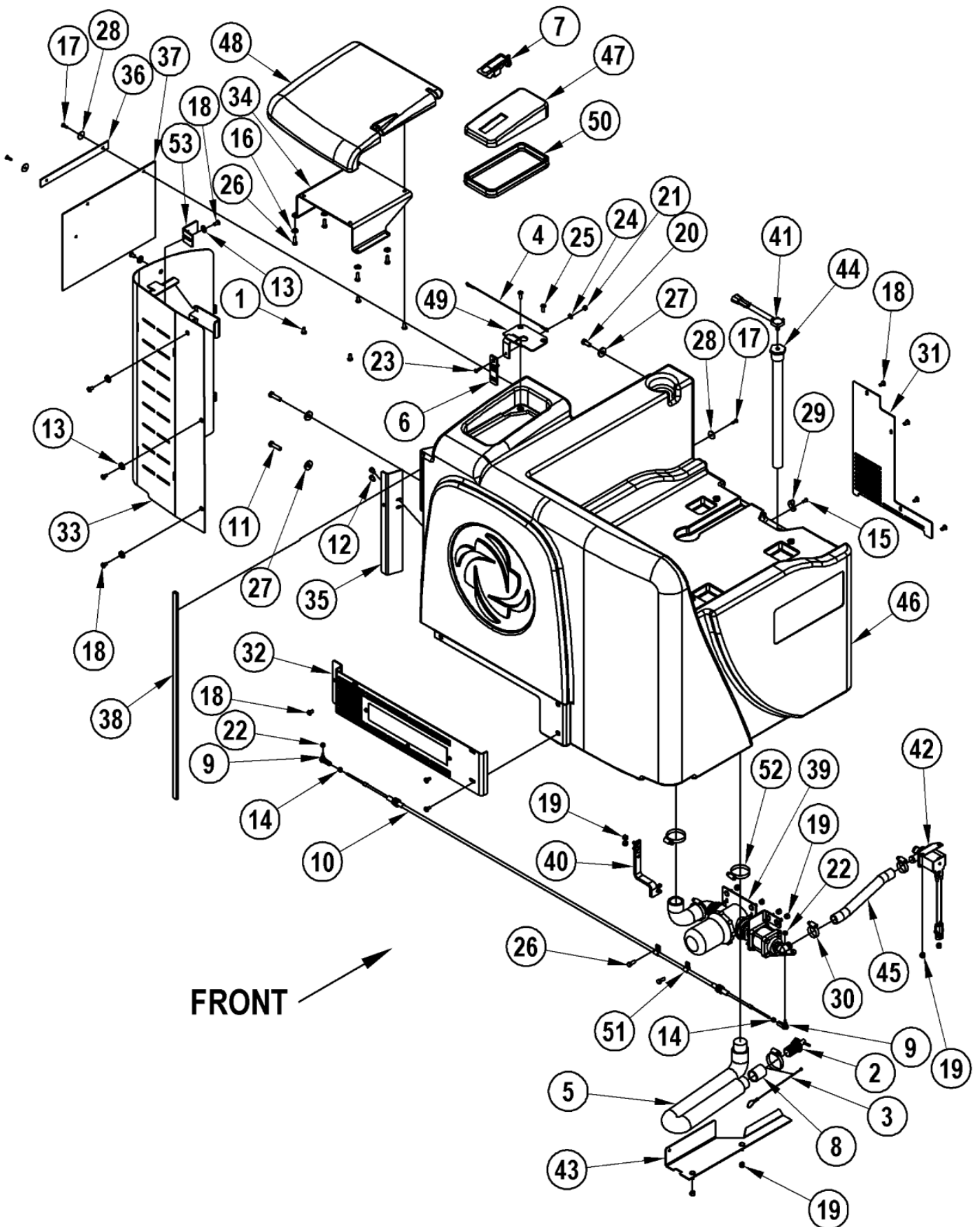
Solution System CR 1100B - Main Parts

CR 1100B / 1200B

23-11-2012

Part List ID
E153147

59



Solution System CR 1100B - Main Parts

CR 1100B / 1200B

23-11-2012

Part List ID

E153147

60

Pos	Part no.	Qty	Description
1	56009120	4	SCR PANPHIL SS TYPEB1/4 14X.62
2	56260098	1	PLUG T HANDLE
3	56261378	1	STRAP CORK
4	56330391	1	WIRE ROPE ASSY 12.0
5	56305602	1	HOSE FLEX DRAIN
6	56412309	1	WATER LEVEL GAUGE
7	56418471	1	DOOR LATCH
8	56459433	1	SLEEVE HOSE END
9	56488290	2	ROD END
10	56488292	1	CABLE
11	56001834	2	SCR HEX 5/16 18 X 1.25
12	56001854	2	SCR HEX 1/4 20 X .50
13	56001906	8	WSH FLT STD 1/4
14	56003053	2	NUT HEX NYL LOC THIN 10 32
15	56001993	1	SCREW 10 24 X 0.5 ZINC PL
16	56002098	4	WSH FLT SAE 1/4
17	56002124	3	SCREW 10 24 X .62 PNH PH
18	56002145	12	SCR PAN PHIL 1/4 20 X .50
19	56002491	10	NUT HEX NYL LOC SS 1/4 20
20	56002667	1	SCR HEX 5/16 18 X .75
21	56002836	1	NUT HEX NYL LOC SS 10 24
22	56002873	2	NUT HEX NYL LOC 10 32
23	56002894	1	SCR PAN PHIL SS 10 24 X .75
24	56002916	1	WSH FLT SAE SS 10
25	56002969	2	SCR FLT PHIL SS 1/4 20 X .75
26	56009018	6	SCR HEX THD FORM 1/4 20X .75
27	56009057	3	WSH FLT HDN .344X1.0X.120/.13
28	56009096	3	WSH FLT .193X.875X.060
29	56172017	1	P CLIP E00129
30	56244969	2	CLAMP HOSE SAE 12 E00047
31	56303212	1	COVER SOLUTION TANK FRONT
32	56303358	1	REAR PANEL ASSEMBLY
33	56303391	1	COVER WELDMENT REAR
34	56303424	1	MOUNT COVER
35	56303425	1	TAB REAR DOOR
36	56303446	1	STRAP
37	56303447	1	COVER
38	56303466	1	GASKET
39	56304272	1	SOLUTION FILTER ASSEMBLY
40	56304681	1	BRACKET CABLE
41	56305032	1	SWITCH PRESSURE
42	56303275	1	SOLENOID VALVE ASSEMBLY
43	56305195	1	BRACKET SOLUTION DRAIN

Solution System CR 1100B - Main Parts

CR 1100B / 1200B

23-11-2012

Part List ID

E153147

61

Pos	Part no.	Qty	Description
44	56305205	1	TUBE ASSEMBLY
45	56392833	1	TUBE SPIRAL E00605
46	56305514	1	TANK SOLUTION 60 GAL
47	56305522	1	COVER SOLUTION TANK 60 GAL
48	56305666	1	CORNER COVER
49	56305802	1	PLATE FILL VALVE
50	56305812	1	TRIM SEAL
51	56323260	2	CLAMP CABLE
52	56329145	3	CLAMP HOSE SAE 24 E00047
53	56303396	1	TAB RETAINER

Solution System CR 1200B - Main Parts

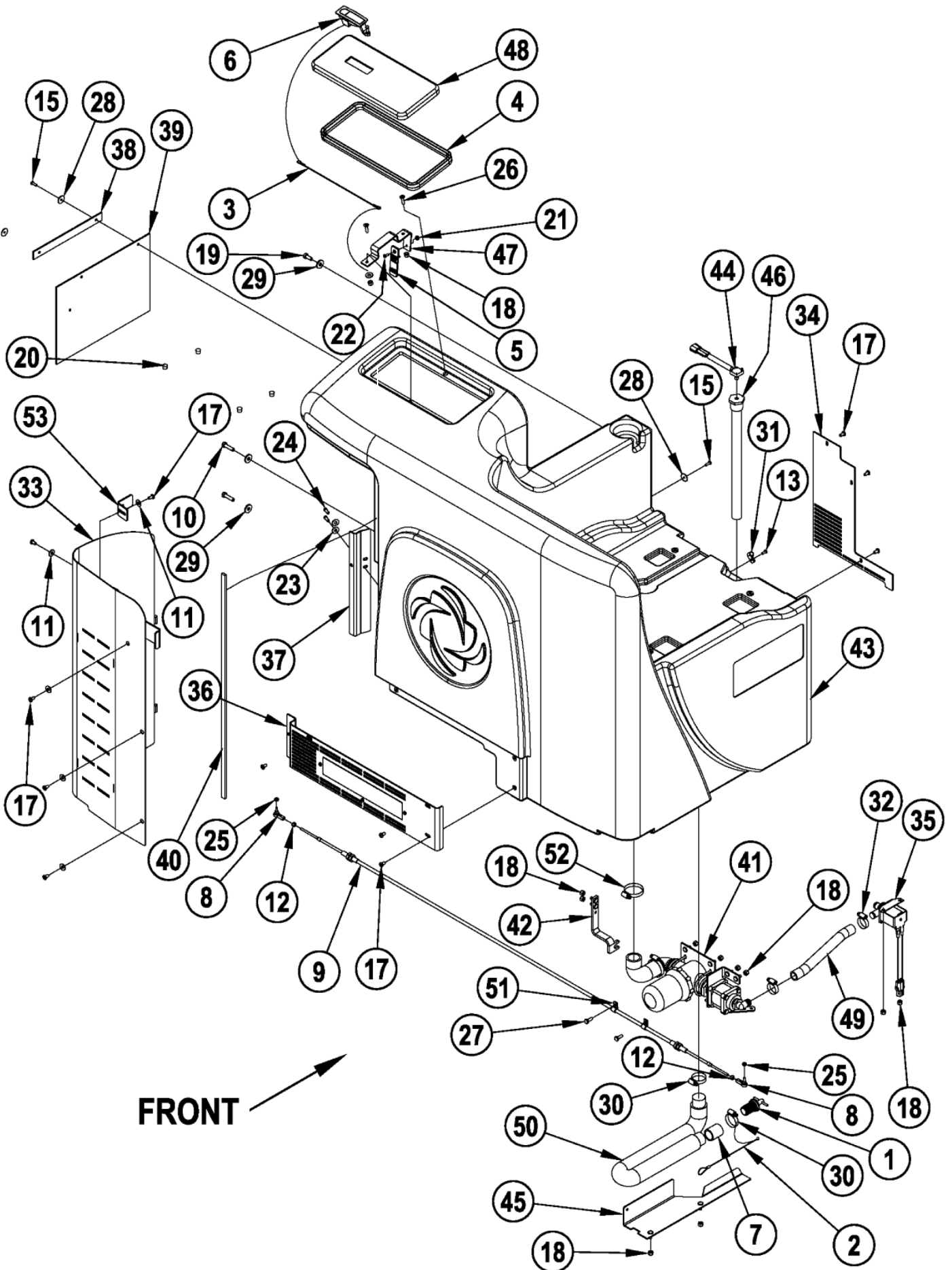
CR 1100B / 1200B

23-11-2012

Part List ID

E153149

62



Solution System CR 1200B - Main Parts

CR 1100B / 1200B

23-11-2012

Part List ID

E153149

63

Pos	Part no.	Qty	Description
1	56260098	1	PLUG T HANDLE
2	56261378	1	STRAP CORK
3	56330391	1	WIRE ROPE ASSY 12.0
4	56407282	1	GASKET
5	56412309	1	WATER LEVEL GAUGE
6	56418471	1	DOOR LATCH
7	56459433	1	SLEEVE HOSE END
8	56488290	2	ROD END
9	56488292	1	CABLE
10	56001834	2	SCR HEX 5/16 18 X 1.25
11	56001906	8	WSH FLT STD 1/4
12	56001987	2	NUT HEX MACHINE 10 32
13	56001993	1	SCREW 10 24 X 0.5 ZINC PL
15	56002124	3	SCREW 10 24 X .62 PNH PH
17	56002145	11	SCR PAN PHIL 1/4 20 X .50
18	56002491	12	NUT HEX NYL LOC SS 1/4 20
19	56002667	1	SCR HEX 5/16 18 X .75
20	2-00-05283	4	PLUG BUTTON .44 DIA HOLE
21	56002849	1	NUT HEX NYL LOC THIN SS 10 24
22	56002900	1	SCR PAN PHIL SS 10 24 X .50
23	56002914	3	WSH FLT STD SS 1/4
24	56003047	2	SCR HEX SS 1/4 20 X .62
25	56003053	2	NUT HEX NYL LOC THIN 10 32
26	56003074	2	SCR FLT PHIL SS 1/4 20X1.00
27	56009018	2	SCR HEX THD FORM 1/4 20X .75
28	56009096	3	WSH FLT .193X.875X.060
29	56009122	3	WSH FLT .344X.938X.125
30	56131601	2	CLAMP HOSE SAE 16 E00047
31	56172017	1	P CLIP E00129
32	56244969	2	CLAMP HOSE SAE 12 E00047
33	56303203	1	COVER WELDMENT REAR
34	56303212	1	COVER SOLUTION TANK FRONT
35	56303275	1	SOLENOID VALVE ASSEMBLY
36	56303358	1	REAR PANEL ASSEMBLY
37	56303359	1	TAB DOOR
38	56303446	1	STRAP
39	56303447	1	COVER
40	56303464	1	GASKET
41	56304272	1	SOLUTION FILTER ASSEMBLY
42	56304681	1	BRACKET CABLE
43	56304834	1	TANK SOLUTION
44	56305032	1	SWITCH PRESSURE
45	56305195	1	BRACKET SOLUTION DRAIN

Solution System CR 1200B - Main Parts

CR 1100B / 1200B

23-11-2012

Part List ID

E153149

64

Pos	Part no.	Qty	Description
46	56305205	1	TUBE ASSEMBLY
47	56305206	1	PLATE LATCH
48	56305209	1	COVER SOLUTION TANK
49	56392833	1	TUBE SPIRAL E00605
50	56305602	1	HOSE FLEX DRAIN
51	56323260	2	CLAMP CABLE
52	56329145	1	CLAMP HOSE SAE 24 E00047
53	56303396	1	TAB RETAINER

Solution System Sub-Assemblies - Main Parts

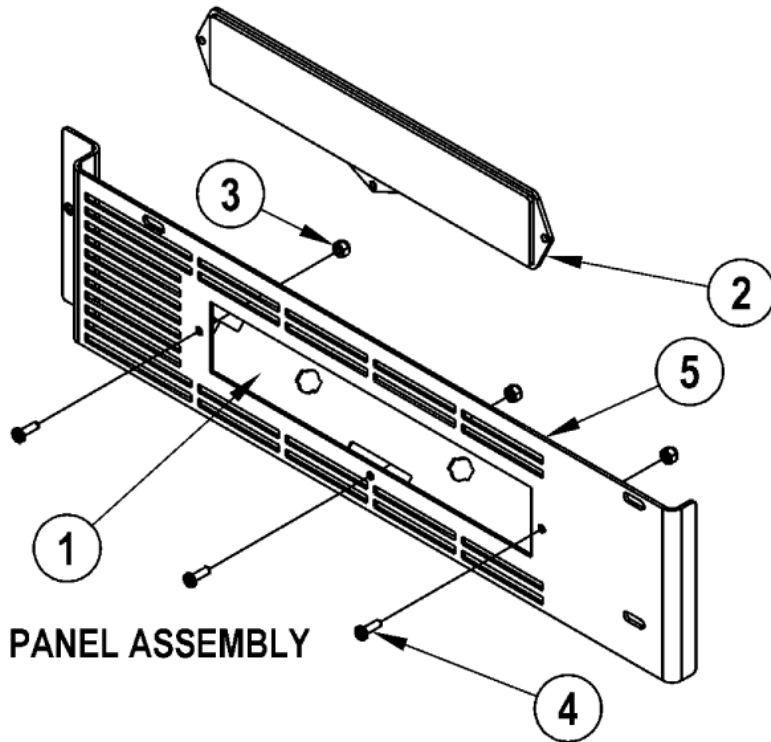
CR 1100B / 1200B

23-11-2012

Part List ID

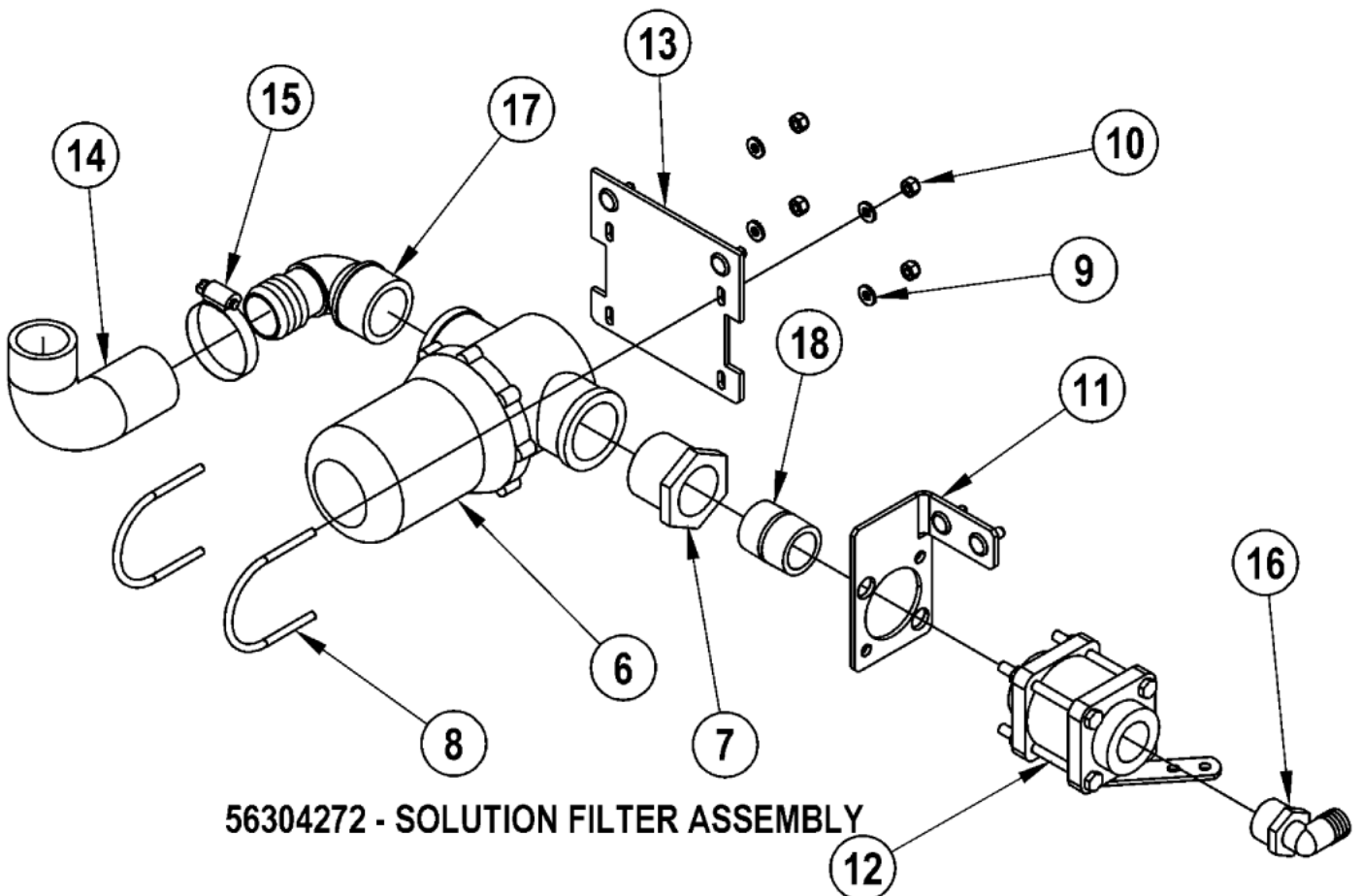
E153151

65



56303358 - REAR PANEL ASSEMBLY

FRONT 



56304272 - SOLUTION FILTER ASSEMBLY

Solution System Sub-Assemblies - Main Parts

CR 1100B / 1200B

23-11-2012

Part List ID

E153151

66

Pos	Part no.	Qty	Description
	56303358	1	REAR PANEL ASSEMBLY
1	56016097	1	DECAL REFLECTIVE
2	56416418	1	LENS TAIL LIGHT
3	56002768	3	NUT HEX NYL LOC 10 24
4	56009100	3	SCR PANPHILTHD BLK 10 24X.62
5	56303357	1	DOOR WELDMENT REAR
5	56304272	1	SOLUTION FILTER ASSEMBLY
6	56455838	1	NYLON STRAINER BOWL Not shown
6	56456241	1	STRAINER INLINE
7	56459825	1	BUSHING REDUCER E00148
8	56459830	2	U BOLT
9	56001954	4	WSH FLT SAE 10
10	56002768	4	NUT HEX NYL LOC 10 24
11	56304260	1	BRACKET
12	56304275	1	VALVE ASSEMBLY W/HANDLE
13	56305114	1	BRACKET FILTER
14	56305319	1	HOSE RADIATOR
15	56329145	1	CLAMP HOSE SAE 24 E00047
16	56456802	1	ELBOW 3/4 X 3/4 E00037
17	56900913	1	FTG MALE ELBOW BARB
18	56900914	1	NIPPLE CLOSE

Squeegee System CR 1100B - Main Parts

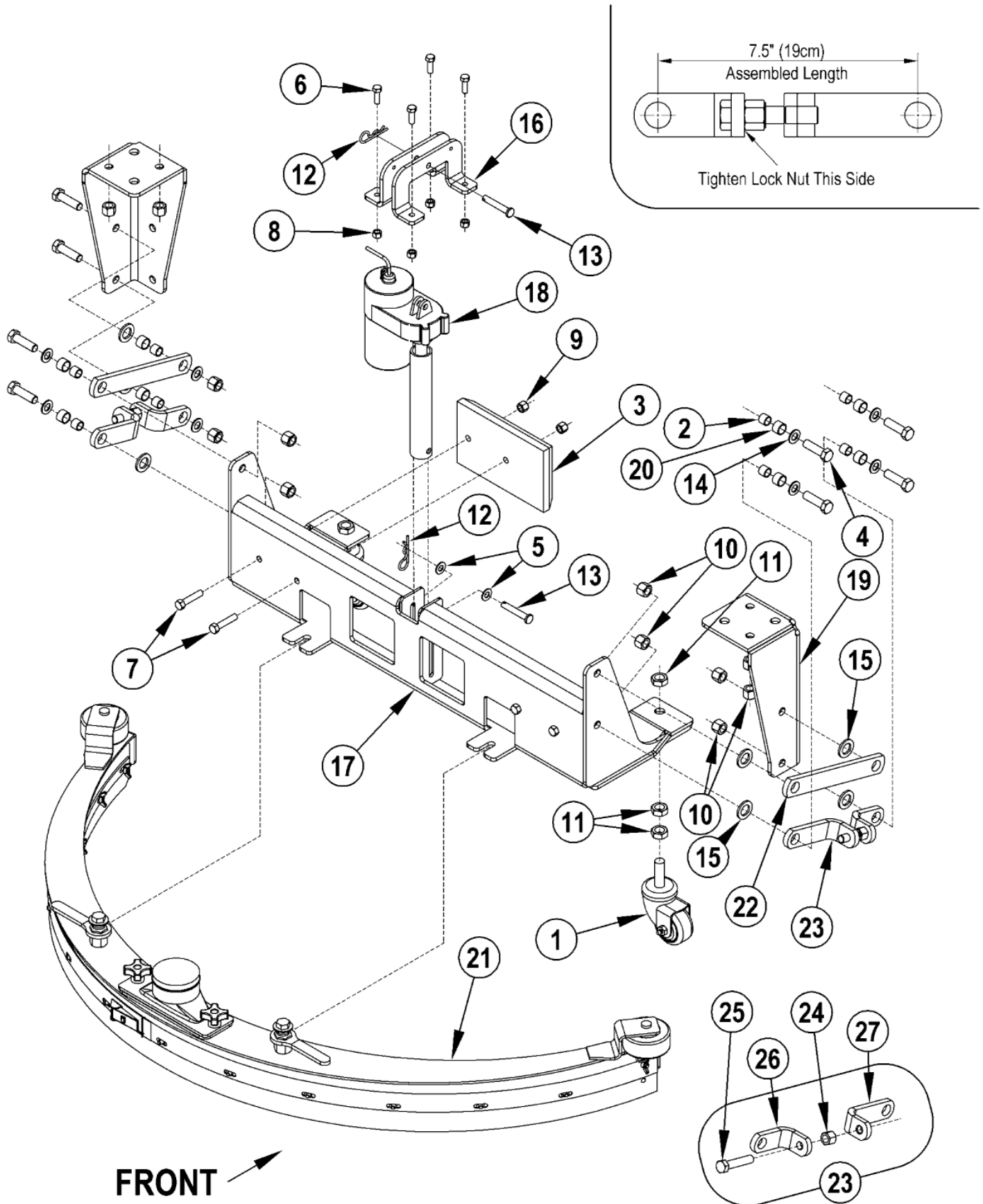
CR 1100B / 1200B

23-11-2012

Part List ID

E153153

67



Squeegee System CR 1100B - Main Parts

CR 1100B / 1200B

23-11-2012

Part List ID

E153153

68

Pos	Part no.	Qty	Description	
1	56304266	2	WHEEL CASTER	
2	56367206	8	BUSHING CV32G	
3	56453907	2	WEIGHT CASTING	
4	56001995	8	SCR HEX 1/2 13 X 1.75	
5	56002063	2	WSH FLT SAE 3/8	
6	56002221	4	SCR HEX 5/16 18 X 1.00	
7	56002684	4	SCR HEX 3/8 16 X 1.75	
8	56002701	4	NUT HEX NYL LOC 5/16 18	
9	56002769	4	NUT HEX NYL LOC 3/8 16	
10	56002770	12	NUT HEX NYL LOC 1/2 13	
11	56003272	6	NUT HEX JAM SS 5/8 11	
12	56003222	2	PIN COT HAIR .125 X DIA.50/.75	
13	56003656	2	CLEVIS PIN .375 X 2.25	
14	56009017	8	WSH FLT HDN .516X.938X.075	
15	56009022	8	WSH FLT .752/.756X1.250X.125	
16	56303117	2	MOUNT SQUEEGEE ACTUATOR	
17	56303174	1	SQUEEGEE MOUNT WELDMENT	
18	56303360	1	ACTUATOR 36V SQUEEGEE LIFT	
19	56304157	2	BRACKET DECK TOWER MOUNT	
20	56304586	8	BEARING .750X.625X.500	
21	56303459	1	4300B SQUEEGEE ASSEMBLY	see Squeegee Assembly
22	56305467	2	ARM PARALLEL 7.5	
23	56305610	2	ADJUSTABLE ARM ASSEMBLY	Items 24-27
24	56002773	1	NUT HEX NYL LOC 1/2 20	
25	56003672	1	SCR THD TO HD 1/2 20X2.50 GR 8	
26	56305608	1	ARM ADJUSTABLE	
27	56305609	1	ARM ADJUSTABLE THREADED	

Squeegee System CR 1200B - Main Parts

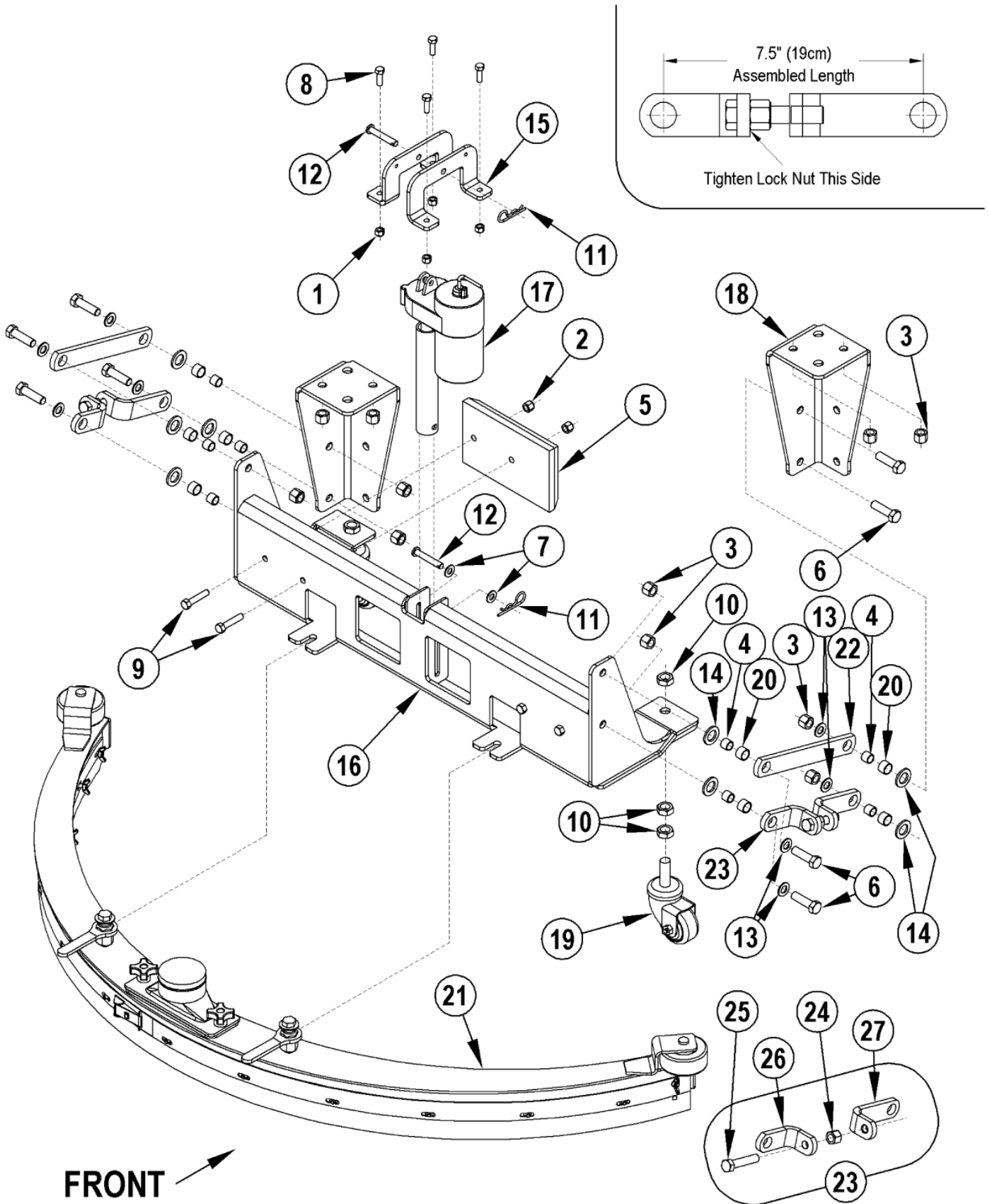
CR 1100B / 1200B

23-11-2012

Part List ID

E153155

69



Squeegee System CR 1200B - Main Parts

CR 1100B / 1200B

23-11-2012

Part List ID

E153155

70

Pos	Part no.	Qty	Description	
1	56002701	4	NUT HEX NYL LOC 5/16 18	
2	56002769	4	NUT HEX NYL LOC 3/8 16	
3	56002770	12	NUT HEX NYL LOC 1/2 13	
4	56367206	8	BUSHING CV32G	
5	56453907	2	WEIGHT CASTING	
6	56001995	8	SCR HEX 1/2 13 X 1.75	
7	56002063	2	WSH FLT SAE 3/8	
8	56002221	4	SCR HEX 5/16 18 X 1.00	
9	56002684	4	SCR HEX 3/8 16 X 1.75	
10	56003272	6	NUT HEX JAM SS 5/8 11	
11	56003222	2	PIN COT HAIR .125 X DIA.50/.75	
12	56003656	2	CLEVIS PIN .375 X 2.25	
13	56009017	8	WSH FLT HDN .516X.938X.075	
14	56009022	8	WSH FLT .752/.756X1.250X.125	
15	56303117	2	MOUNT SQUEEGEE ACTUATOR	
16	56303174	1	SQUEEGEE MOUNT WELDMENT	
17	56303360	1	ACTUATOR 36V SQUEEGEE LIFT	
18	56304157	2	BRACKET DECK TOWER MOUNT	
19	56304266	2	WHEEL CASTER	
20	56304586	8	BEARING .750X.625X.500	
21	56303460	1	4800B SQUEEGEE ASSEMBLY	see Squeegee Assembly
22	56305467	2	ARM PARALLEL 7.5	
23	56305610	2	ADJUSTABLE ARM ASSEMBLY	Items 24-27
24	56002773	1	NUT HEX NYL LOC 1/2 20	
25	56003672	1	SCR THD TO HD 1/2 20X2.50 GR 8	
26	56305608	1	ARM ADJUSTABLE	
27	56305609	1	ARM ADJUSTABLE THREADED	

Squeegee Assembly - Main Parts

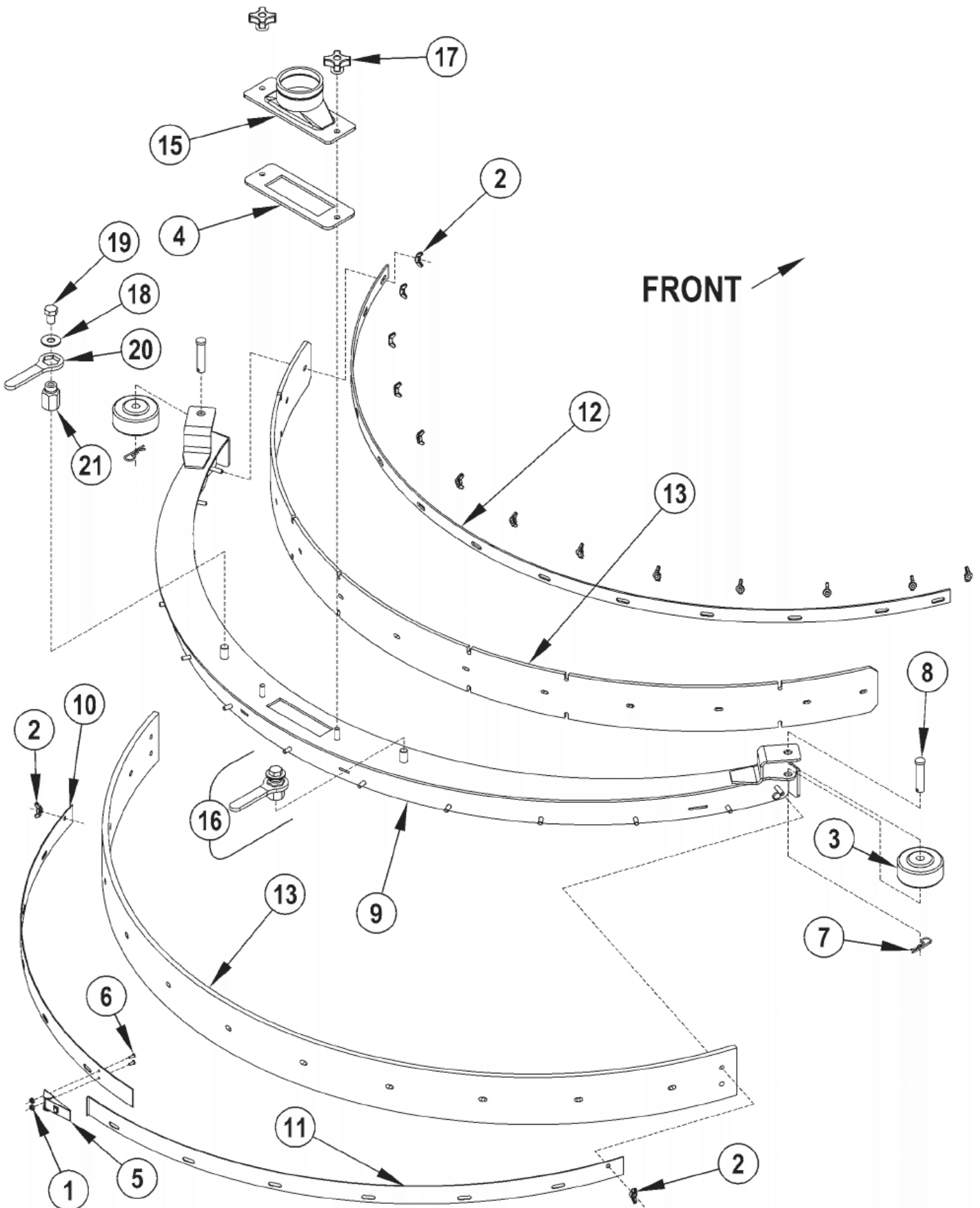
CR 1100B / 1200B

23-11-2012

Part List ID

E153157

71



Squeegee Assembly - Main Parts

CR 1100B / 1200B

23-11-2012

Part List ID E153157

72

Pos	Part no.	Qty	Description	
0	56303459	1	4300B SQUEEGEE ASSEMBLY	CR 1100
0	56303460	1	4800B SQUEEGEE ASSEMBLY	CR 1200
0	56303469	1	4300B NEOPRENE BLADE KIT	CR 1100 - NOTE 1 - Optional
0	56303470	1	4800B NEOPRENE BLADE KIT	CR 1200 - NOTE 1 - Optional
0	56303562	1	POLYURET SQUEEGEE BLADE 43 KIT	CR 1100 - NOTE 1 - Optional
0	56303564	1	POLYURET SQUEEGEE BLADE 48 KIT	CR 1200 - NOTE 1 - Optional
1	56002964	2	NUT HEX NYL LOC THIN SS 6 32	
2	56009048	15	NUT WING LOC 1/4 20	
3	56386127	2	WHEEL 3.00X1.25 CL415	
4	56459281	1	GASKET INLET	
5	56471194	1	LATCH ASSY RE32	
6	56002909	2	SCR PAN PHIL SS 6 32 X .38	
7	56003120	2	PIN COT HAIR .093XDIA .25 .50	
8	56003620	2	PIN CLEVIS .500 X 2.25	
9	56304937	1	43 SQUEEGEE WELDMENT	CR 1100
9	56304953	1	WELDMENT 48 SQUEEGEE	CR 1200
10	56304962	1	STRAP 48 REAR BLADE LEFT	CR 1200
10	56305808	1	STRAP 43 REAR LEFT BLADE	CR 1100
11	56304963	1	STRAP 48 REAR BLADE RIGHT	CR 1200
11	56305807	1	STRAP 43 REAR RIGHT BLADE	CR 1100
12	56304964	1	STRAP FRONT BLADE	CR 1200
12	56305806	1	STRAP FRONT BLADE	CR 1100
13	56303471	1	BLADE KIT SQGEE RED GUM	CR 1100 - contains both front and rear blades
13	56303472	1	BLADE KIT SQGEE RED GUM	CR 1200 - contains both front and rear blades
15	56305373	1	ADAPTER SQUEEGEE	
16	56305616	2	CRANK ASSEMBLY	items 18-21
17	56407510	2	KNOB	
18	56002168	1	WSH FLT STD 1/2	
19	56003032	1	SCR HEX LOC 1/2 13 X .75	
20	56305614	1	CRANK HANDLE DXF	
21	56305615	1	CRANK HEX	

NOTE 1.: All squeegee blade kits include both front and rear squeegee blades.

Steering System 1 (before april 2009) - Main Pa

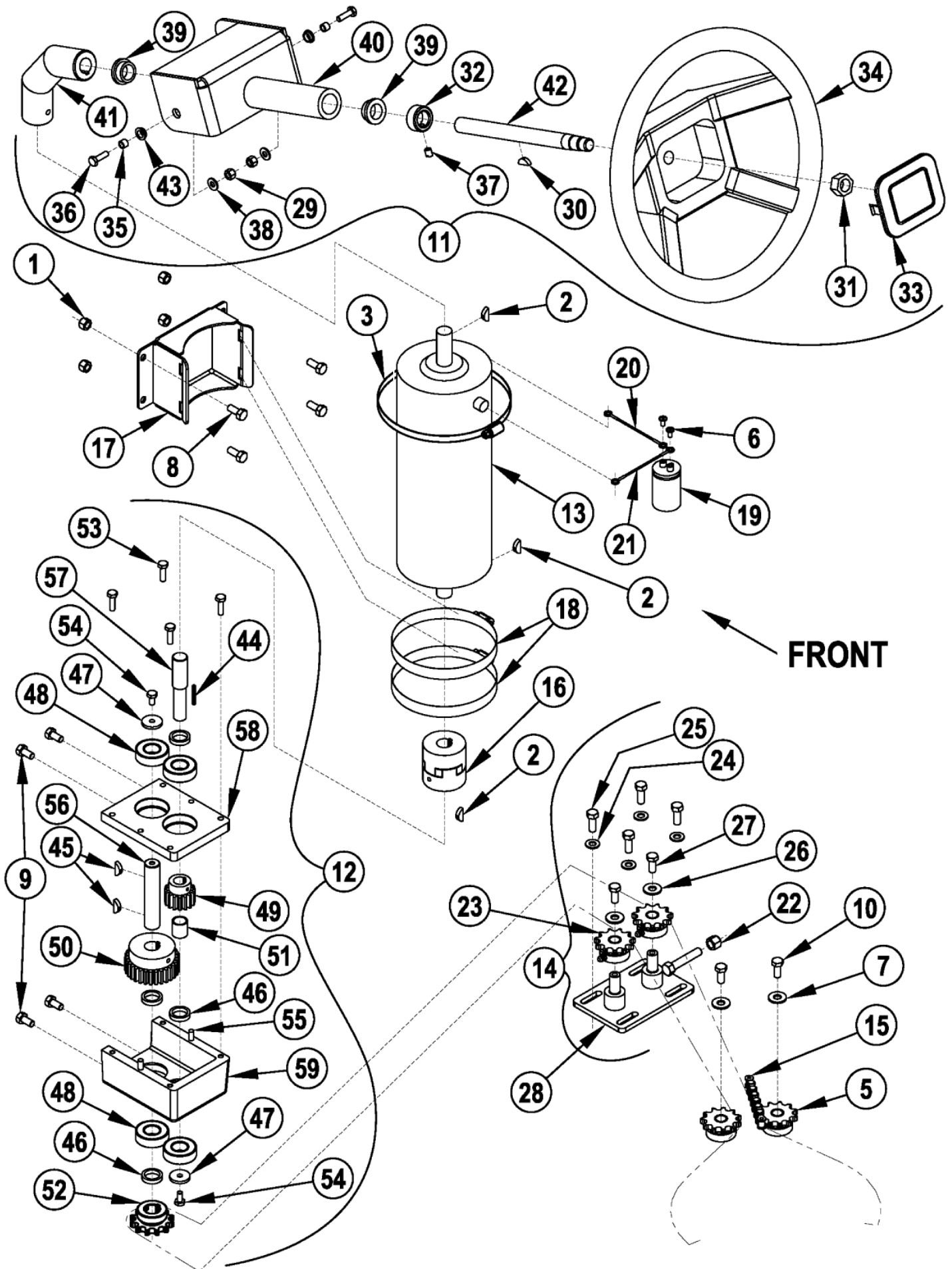
CR 1100B / 1200B

23-11-2012

Part List ID

E153158

73



Steering System 1 (before april 2009) - Main Par

CR 1100B / 1200B

23-11-2012

Part List ID

E153158

74

Pos	Part no.	Qty	Description	
1	56002701	4	NUT HEX NYL LOC 5/16 18	
2	56003228	3	KEY WDF 606	
3	56355488	1	CLAMP HOSE SAE 96 ER00047	
5	56454079	2	SPROCKET AY 40B11	
6	56002001	2	SCR PAN PHIL 10 32 X .38	
7	56001939	2	WSH FLT SAE 5/16	
8	56002667	4	SCR HEX 5/16 18 X .75	
9	56002929	4	SCR HEX LOC 5/16 18 X .62	
10	56002956	2	SCR HEX LOC 5/16 18 X .75	
11	56303021	1	STEERING ASSEMBLY	items 29-43
12	56380401	1	STEERING GEARBOX ASSY	items 44-59 - TSBUS2007-982 NOTE 2
13	56380500	1	SBW STEERING KIT	NOTE 3 / TSBUS2007-982
14	56303108	1	TENSIONER ASSEMBLY	items 22-28
15	56303133	1	CHAIN ROLLER UPPER	
16	56002119	1	SCR SOC SET LOC 1/4 20 X .50	
16	56303243	1	COUPLER STEERING SHAFT	
16	56303244	1	COUPLER ELASTIMER	
16	56303245	1	COUPLER ASSEMBLY	after SN1784444
16	56303535	1	COUPLER MACHINED	
16	56303536	1	COUPLER ASSEMBLY	before SN1784445
17	56303247	1	BRACKET POWER STEERING UNIT	
18	56303323	2	CLAMP HOSE HEAVY DUTY	
19	56303337	1	CAPACITOR TORQUE AMPLIFIER	
20	56303351	1	WIRE ASM BLK 18 AWG	
21	56303352	1	WIRE ASM GRN/WHT 18 AWG	
22	56002769	1	NUT HEX NYL LOC 3/8 16	
23	56454079	2	SPROCKET AY 40B11	
24	56001939	4	WSH FLT SAE 5/16	
25	56002037	4	SCR HEX 5/16 18 X .88	
26	56001939	2	WSH FLT SAE 5/16	
27	56002956	2	SCR HEX LOC 5/16 18 X .75	
28	56303224	1	TENSIONER WELDMENT	
29	56002708	2	NUT HEX NYL LOC 1/4 20	
30	56003228	1	KEY WDF 606	
31	56003440	1	HEX NUT M16 X 1.5	
32	56367095	1	COLLAR SHAFT .750 CV31A	
33	7-16-07428	1	COVER STEERING WHEEL	
34	56418460	1	STEERING WHEEL	
35	56453849	2	BUSHING .26X.37X.28	
36	56001821	2	SCR HEX 1/4 20 X .88	

NOTE 1: Shaft 56303102 is obsolete and replaced by 56380447. When replacing 56303102 with 56380447 you will also need to order Key 56003793 to replace Key 56003226.

NOTE 2: Gearbox 56303072 is no longer available and replaced in production by 56380401 as of serial #203376. Please replace 56303072 with the improved gearbox 56380401 rather than servicing 56303072. If you are not sure of your machine's serial # you can identify which unit you have by looking at the sprocket #52. The illustration above shows the

Steering System 1 (before april 2009) - Main Par

CR 1100B / 1200B

23-11-2012

Part List ID

E153158

75

Pos	Part no.	Qty	Description
37	56002021	1	SCR SOC SET LOC 5/16 18 X .38
38	56002098	2	WSH FLT SAE 1/4
39	56303024	2	BEARING FL 1.00X.750X.500
40	56303027	1	STEERING MOUNT WELDMENT
41	56303075	1	UNIVERSAL SHAFT DOUBLE after SN1784444
41	56303539	1	U JOINT ASSEMBLY before SN1784445
42	56303211	1	SHAFT STEERING WHEEL
43	56304518	2	BEARING FLANGE
44	56003793	1	KEY SQ .12 X 1.12 NOTE 1
45	56003228	2	KEY WDF 606
46	56366315	4	SPACER .75X1.0X.208CV21B
47	56388766	2	WSH FLT ZN .250 E00458
48	56416038	4	BEARING BALL
49	56380403	1	GEAR SPUR 12P 14T
50	56380402	1	GEAR SPUR 12P 32T
51	56416557	1	SLEEVE
52	56380404	1	SPRKT CHAIN 40 .5P 10T
53	56001821	4	SCR HEX 1/4 20 X .88
54	56002948	2	SCR HEX LOC 1/4 20 X 0.75
55	56033224	2	ASM HOSE VAC/SOLUTION
56	56303101	1	SHAFT STEERING
57	56380447	1	SHAFT STEERING NOTE 1
58	56303210	1	COVER STEERING BLOCK
59	56303246	1	STEERING GEAR MOUNT

NOTE 1: Shaft 56303102 is obsolete and replaced by 56380447. When replacing 56303102 with 56380447 you will also need to order Key 56003793 to replace Key 56003226.

NOTE 2: Gearbox 56303072 is no longer available and replaced in production by 56380401 as of serial #203376. Please replace 56303072 with the improved gerabox 56380401 rather than servicing 56303072. If you are not sure of your machine's serial # you can identify which unit you have by looking at the sprocket #52. The illustration above shows the

Steering System 2 (before april 2009) - Main Pa

CR 1100B / 1200B

23-11-2012

Part List ID

E153159

76

Steering System 2 (before april 2009) - Main Par

CR 1100B / 1200B

23-11-2012

Part List ID

E153159

77

Pos	Part no.	Qty	Description
-----	----------	-----	-------------

0		1	USE LINK
---	--	---	----------

Steering system (after march 2009) - Main Part

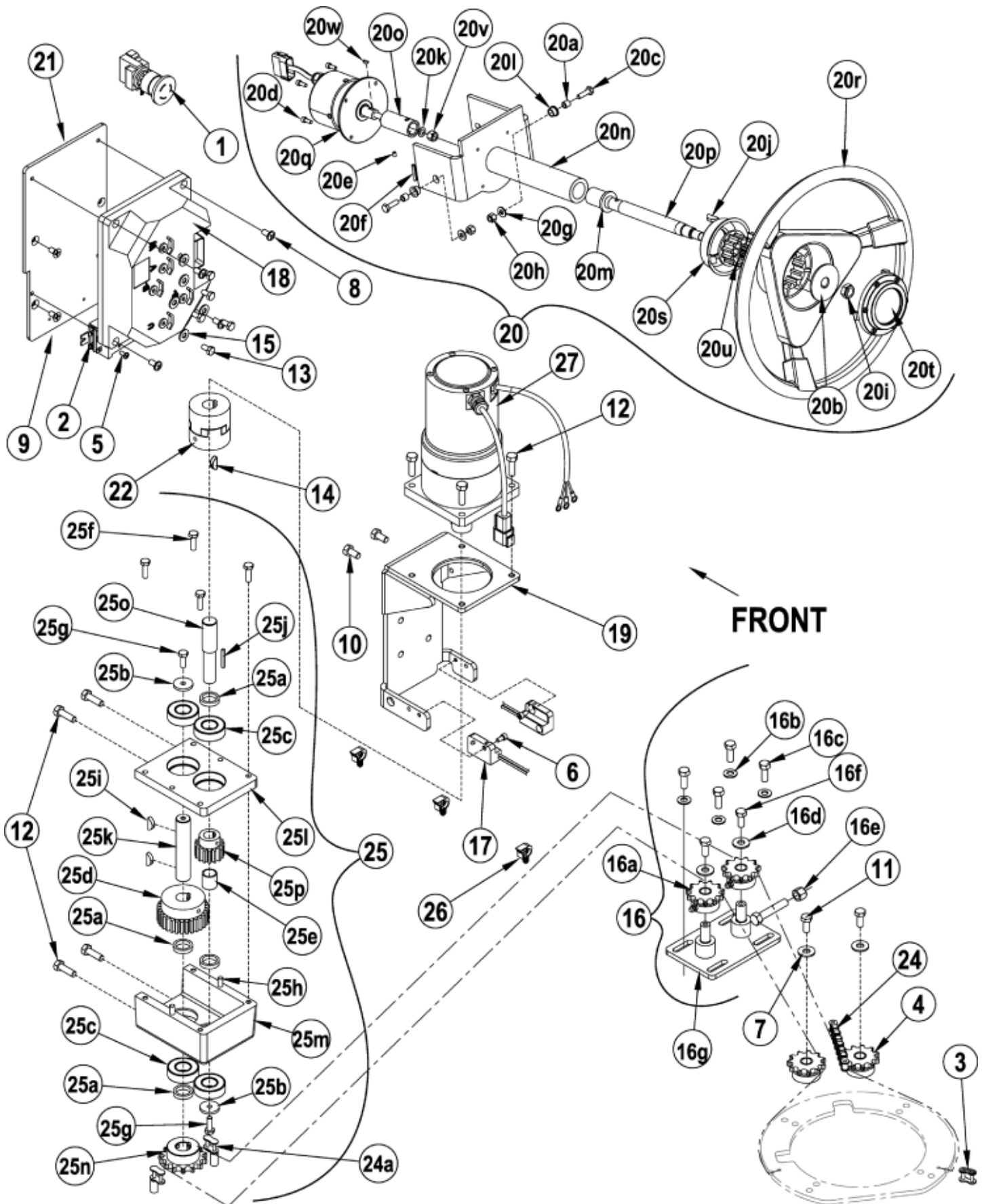
CR 1100B / 1200B

23-11-2012

Part List ID

E153161

78



Steering system (after march 2009) - Main Parts

CR 1100B / 1200B

23-11-2012

Part List ID

E153161

79

Pos	Part no.	Qty	Description	
1	56407130	1	DISCONNECT EMERGENCY	S15
2	56416157	1	RELAY SPST	K13
3	56445096	1	LINK CONNECTOR 40 CV491W 1	
4	56454079	2	SPROCKET AY 40B11	
5	56001818	2	SCR PAN PHIL 8 32 X .38	
6	56002087	2	SCR SOC HD 10 24 X .38	
7	56002220	2	WSH FLT STD 5/16	
8	56002828	4	SCR PAN PHIL LOC 1/4 20 X .6	
9	56002921	4	SCR FLT PHIL LOC 1/4 20 x .50	
10	56002929	2	SCR HEX LOC 5/16 18 X .62	
11	56002956	2	SCR HEX LOC 5/16 18 X .75	
12	56003073	8	SCR HEX LOC 5/16 18 X 1.00	
13	56003155	5	SCR HEX M6 1.0 X 12MM	
14	56003228	1	KEY WDF 606	
15	56009064	5	WSH INT SHPRF 1/4	
16	56303108	1	TENSIONER ASSEMBLY	
17	56305053	2	SENSOR PROXIMITY	S16 / S17
18	56510729	1	CONTROLLER STEERING	A4
19	56380392	1	BRACKET MOTOR	
20	56380395	1	STEERING UPPER SBW ASSEMBLY	
21	56380407	1	PLATE MOUNT AC DRIVER	
22	56380408	1	COUPLING ASSEMBLY	
23	56380426	1	STEER BY WIRE HARNESS	Not shown
24	56380442	1	CHAIN ASSEMBLY	
25	56380448	1	STEERING GEARBOX ASSEMBLY	
26	56507793	3	CLIP CONDUIT	
27	56380406	1	MOTOR STEERING 36V	M16
16A	56454079	2	SPROCKET AY 40B11	
16B	56001939	4	WSH FLT SAE 5/16	
16C	56002037	4	SCR HEX 5/16 18 X .88	
16D	56002220	2	WSH FLT STD 5/16	
16E	56002769	1	NUT HEX NYL LOC 3/8 16	
16F	56002956	2	SCR HEX LOC 5/16 18 X .75	
16G	56303224	1	TENSIONER WELDMENT	
20A	56151106	2	BUSHING .25X.37X.34G31J	
20B	56497542	1	WASHER E00458	
20C	56001821	2	SCR HEX 1/4 20 X .88	
20D	56001867	4	SCR SOC HD 10 24 X .50	
20E	56002015	1	SCR SOC SET LOC 10 24 X .25	
20F	56002082	1	PIN SPR .19 X 1.00	
20G	56002098	2	WSH FLT SAE 1/4	
20H	56002708	2	NUT HEX NYL LOC 1/4 20	
20I	56002868	1	NUT HEX NYL LOC THIN 1/2 20	

Steering system (after march 2009) - Main Parts

CR 1100B / 1200B

23-11-2012

Part List ID

E153161

80

Pos	Part no.	Qty	Description	
20J	56003228	1	KEY WDF 606	
20K	56009384	1	WSH FLT .328X.563X.031	
20L	56304554	2	BEARING FLANGE .500X.375X.313	
20M	56380384	1	BEARING FL 1.00 X .75 X 1.5	
20N	56380387	1	STEERING MOUNT WELDT	
20O	56380388	1	COUPLER STEERING SHAFT	
20P	56380391	1	SHAFT STEERING WHEEL	
20Q	56380405	1	TORQUE FEEDBACK DEVICE DANAHE	E1
20R	56497306	1	STEERING WHEEL	
20S	56497308	1	CAP	
20T	56497543	1	CAP	
20U	56497560	1	ADAPTER	
20V	56003389	1	NUT HEX NYL LOC M8X1.25	
20W	56003804	1	KEY WDF M3 X 10	
24A	56380429	2	LINK ASSEMBLY	Replacement for 56380442
25A	56366315	4	SPACER .75X1.0X.208CV21B	
25B	56388766	2	WSH FLT ZN .250 E00458	
25C	56416038	4	BEARING BALL	
25D	56380498	1	GEAR SPUR	
25E	56416557	1	SLEEVE	
25F	56001821	4	SCR HEX 1/4 20 X .88	
25G	56002922	2	SCR HEX LOC 1/4 20 X .62	
25H	56003224	2	PIN DWL STD .25 X 1.25	
25I	56003228	2	KEY WDF 606	
25J	56003793	1	KEY SQ .12 X 1.12	
25K	56303101	1	SHAFT STEERING	
25L	56303210	1	COVER STEERING BLOCK	
25M	56303246	1	STEERING GEAR MOUNT	
25N	56380398	1	SPROCKET 14 TOOTH	
25O	56380447	1	SHAFT STEERING	
25P	2-00-00566	1	FTG ALEMITE 1610 BL	Not shown
25P	56380480	1	GEAR SPUR	

Wiring Diagram - 1 (Before SN1779197) - Main Pa

CR 1100B / 1200B

23-11-2012

Part List ID

E153163

82

Pos	Part no.	Qty	Description	
A1	56303201	1	CONTROL BOX ASSEMBLY	
A2	56303374	1	GAUGE PANEL ASSEMBLY	
F1	56469788	1	CIRCUIT BREAKER 25A	AUXILIARY CIRCUIT 1
F2	56387328	1	CIRCUIT BREAKER 5A	AUXILIARY CIRCUIT 2
F3	56395454	1	CIRCUIT BREAKER 20A	AUXILIARY CIRCUIT 3
H1		1	NOTE COMMENT	Backup 36Vdc
H2	56482365	1	HORN 36V	
H3	56304768	1	LAMP 12V	
H3	56304783	1	BULB LIGHT	
H4	56304768	1	LAMP 12V	
H4	56304783	1	BULB LIGHT	
H5	56305237	1	BULB LIGHT	
H6	56305237	1	BULB LIGHT	
H7		1	NOTE COMMENT	Lamp, Flashing - optional
H8		1	NOTE COMMENT	Lamp, Curb - optional
H9	56303353	1	LIGHT BULB 36V	OPTIONAL
K1	56395450	1	CONTACTOR 36 VOLT	
K2	56395450	1	CONTACTOR 36 VOLT	
K3	56395450	1	CONTACTOR 36 VOLT	
K4	56303198	1	CONTACTOR 36V TYPE 4	
K6	56395450	1	CONTACTOR 36 VOLT	
K7	56395450	1	CONTACTOR 36 VOLT	
K8	56395450	1	CONTACTOR 36 VOLT	
K9	56395450	1	CONTACTOR 36 VOLT	
L1	56303275	1	SOLENOID VALVE ASSEMBLY	
L4	56303435	1	SOLENOID VALVE ITEM 4	
L5	56305369	1	CARTRIDGE	
L6	56303437	1	SOLENOID VALVE ITEM 6	
S1		1	NOTE COMMENT	Switch, Extend limit - not available
S2		1	NOTE COMMENT	Switch, recovery limit - not available
S3	56305053	1	SENSOR PROXIMITY	
S4	56305977	1	SWITCH LIQUID LEVEL	TSBUS2008-875
S5	56305032	1	SWITCH PRESSURE	
S6		1	NOTE COMMENT	Switch, dust control filter - optional
S7	56418994	1	SWITCH N.O. PRESSURE	
S8	56305053	1	SENSOR PROXIMITY	
S9		1	NOTE COMMENT	Switch, seat - not available
BT1		1	NOTE COMMENT	Battery 36Vdc
F10	56303297	1	FUSE 400 AMP	
H10	56303350	1	LIGHT RED LED INDICATOR	
K10	56395450	1	CONTACTOR 36 VOLT	
K11	56303434	1	COIL 36VDC	
L6A	56303437	1	SOLENOID VALVE ITEM 6	

Wiring Diagram - 1 (Before SN1779197) - Main Pa

CR 1100B / 1200B

23-11-2012

Part List ID

E153163

83

Pos	Part no.	Qty	Description	
M11	56303095	1	ACTUATOR SCRUB DECK	
M12	56303360	1	ACTUATOR 36V SQUEEGEE LIFT	
M13	56303119	1	ACTUATOR MOTOR	
M14	56467307	1	MOTOR ASSY	
S10		1	NOTE COMMENT	
S11	56303554	1	KEY SWITCH KIT	TSBUS2004-873
S12	56209321	1	SWITCH ROCKER	OPTIONAL
S13	56305053	1	SENSOR PROXIMITY	

Wiring Diagram - 2 (Before SN1779197) - Main P

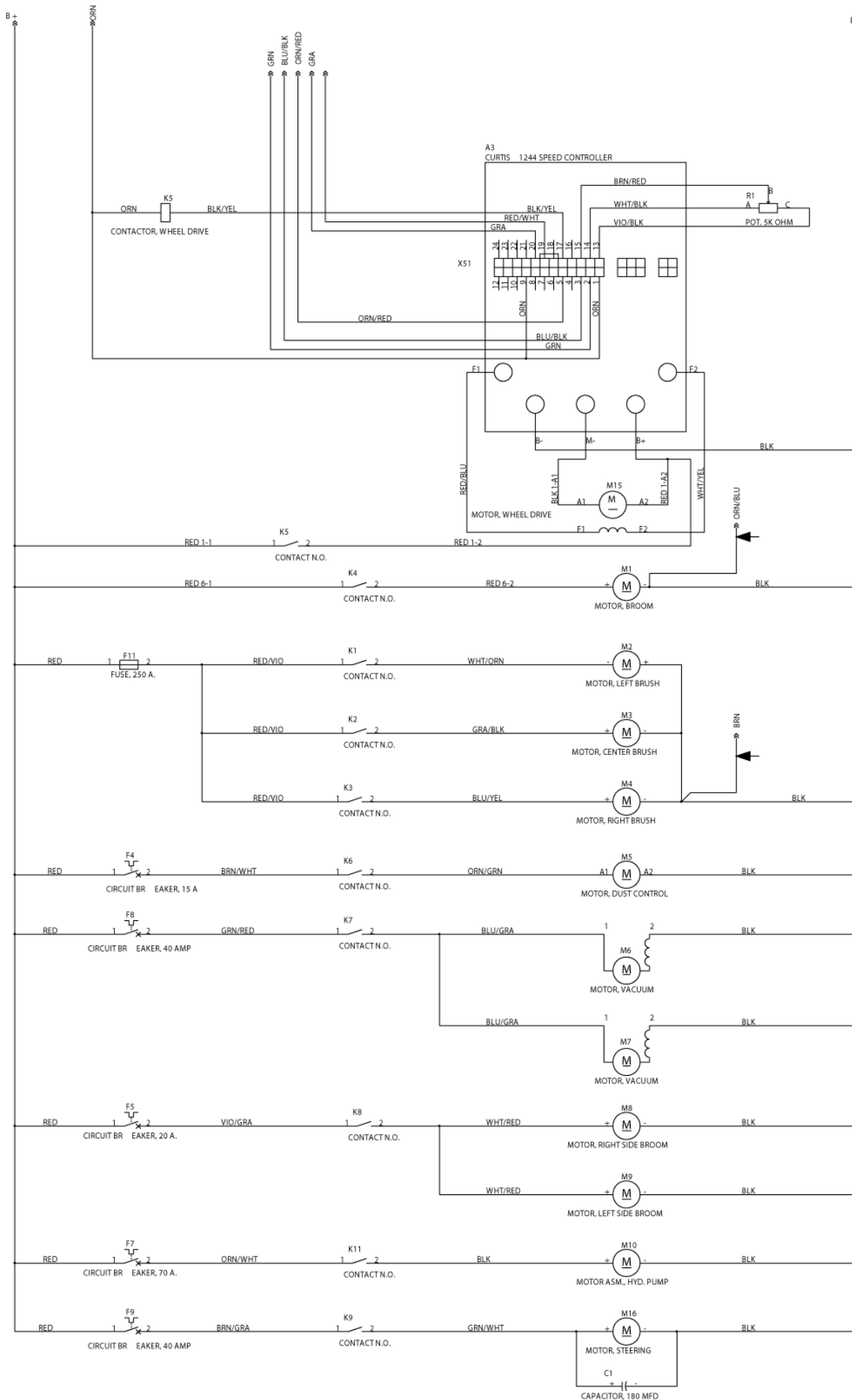
CR 1100B / 1200B

23-11-2012

Part List ID

E153165

84



Wiring Diagram - 2 (Before SN1779197) - Main Pa

CR 1100B / 1200B

23-11-2012

Part List ID

E153165

85

Pos	Part no.	Qty	Description	
A3	56303197	1	CONTROLLER ELECTRIC DRIVE	
C1	56303337	1	CAPACITOR TORQUE AMPLIFIER	
F4	56454538	1	CIRCUIT BREAKER 15A	
F5	56395454	1	CIRCUIT BREAKER 20A	
F7	56303301	1	CIRCUIT BREAKER 70 AMP	
F8	56303299	1	CIRCUIT BREAKER 40 AMP	
F9	56303299	1	CIRCUIT BREAKER 40 AMP	
K1	56395450	1	CONTACTOR 36 VOLT	
K2	56395450	1	CONTACTOR 36 VOLT	
K3	56395450	1	CONTACTOR 36 VOLT	
K4	56303198	1	CONTACTOR 36V TYPE 4	
K5	56303198	1	CONTACTOR 36V TYPE 4	
K6	56395450	1	CONTACTOR 36 VOLT	
K7	56395450	1	CONTACTOR 36 VOLT	
K8	56395450	1	CONTACTOR 36 VOLT	
K9	56395450	1	CONTACTOR 36 VOLT	
M1	56303039	1	MOTOR 2.0 HP	
M1	56303419	4	BRUSH CARBON	Not shown
M1	56303444	4	SPRING BRUSH	Not shown
M2	56303083	1	GEARMOTOR ASSEMBLY	
M2	56303419	4	BRUSH CARBON	Not shown
M2	56303444	4	SPRING BRUSH	Not shown
M3	56303083	1	GEARMOTOR ASSEMBLY	
M3	56303419	4	BRUSH CARBON	Not shown
M3	56303444	4	SPRING BRUSH	Not shown
M4	56303083	1	GEARMOTOR ASSEMBLY	
M4	56303419	4	BRUSH CARBON	Not shown
M4	56303444	4	SPRING BRUSH	Not shown
M5	56303426	4	BRUSHES WHEEL DRIVE MOTOR	Not shown
M5	56416020	1	MOTOR .33HP	
M5	56416595	1	SET OF 2 MOTOR BRUSHES	
M6	56212223	1	CARBON BRUSH SET OF 2	Not shown
M6	56410065	1	VAC MOTOR ASSY	
M7	56212223	1	CARBON BRUSH SET OF 2	Not shown
M7	56410065	1	VAC MOTOR ASSY	
M8	56303442	1	GEARMOTOR ASSEMBLY 36VDC	NOTE 2
M8	56416578	1	GEARMOTOR ASSY	NOTE 1
M8	56416608	1	BRUSH .25 X .38/SET OF 2	Not shown
M9	56303443	1	GEAR MOTOR ASSEMBLY 36VDC	NOTE 2
M9	56410307	1	RIGHT GEARMOTOR ASSY	NOTE 1
M9	56416608	1	BRUSH .25 X .38/SET OF 2	Not shown
R1	56303313	1	ROTARY SENSOR NO SPRING	

NOTE 1: Used on machines built before May 2004.

NOTE 2: Used on machines built after April 2004.

NOTE 3: 56303073 is no longer available. If you need to replace 56303073 please order the SBW Steering Kit

Wiring Diagram - 2 (Before SN1779197) - Main Pa

CR 1100B / 1200B

23-11-2012

Part List ID

E153165

86

Pos	Part no.	Qty	Description	
F11	56410044	1	FUSE 250 AMP	
K11	56303434	1	COIL 36VDC	
M10	56303040	1	HYDRAULIC POWER UNIT	
M10	56303433	1	BRUSH SPRING KIT	Not shown
M10	56303561	1	RESERVIOR KIT	Not shown
M15	56303033	1	MOTOR 36VDC 4 HP	
M15	56409746	4	BRUSH SPRING	Not shown
M16	56380500	1	SBW STEERING KIT	NOTE 3 / TSBUS2007-982

NOTE 1: Used on machines built before May 2004.

NOTE 2: Used on machines built after April 2004.

NOTE 3: 56303073 is no longer available. If you need to replace 56303073 please order the SBW Steering Kit

Wiring Diagram - 1 (After SN1779196) - Main Panel

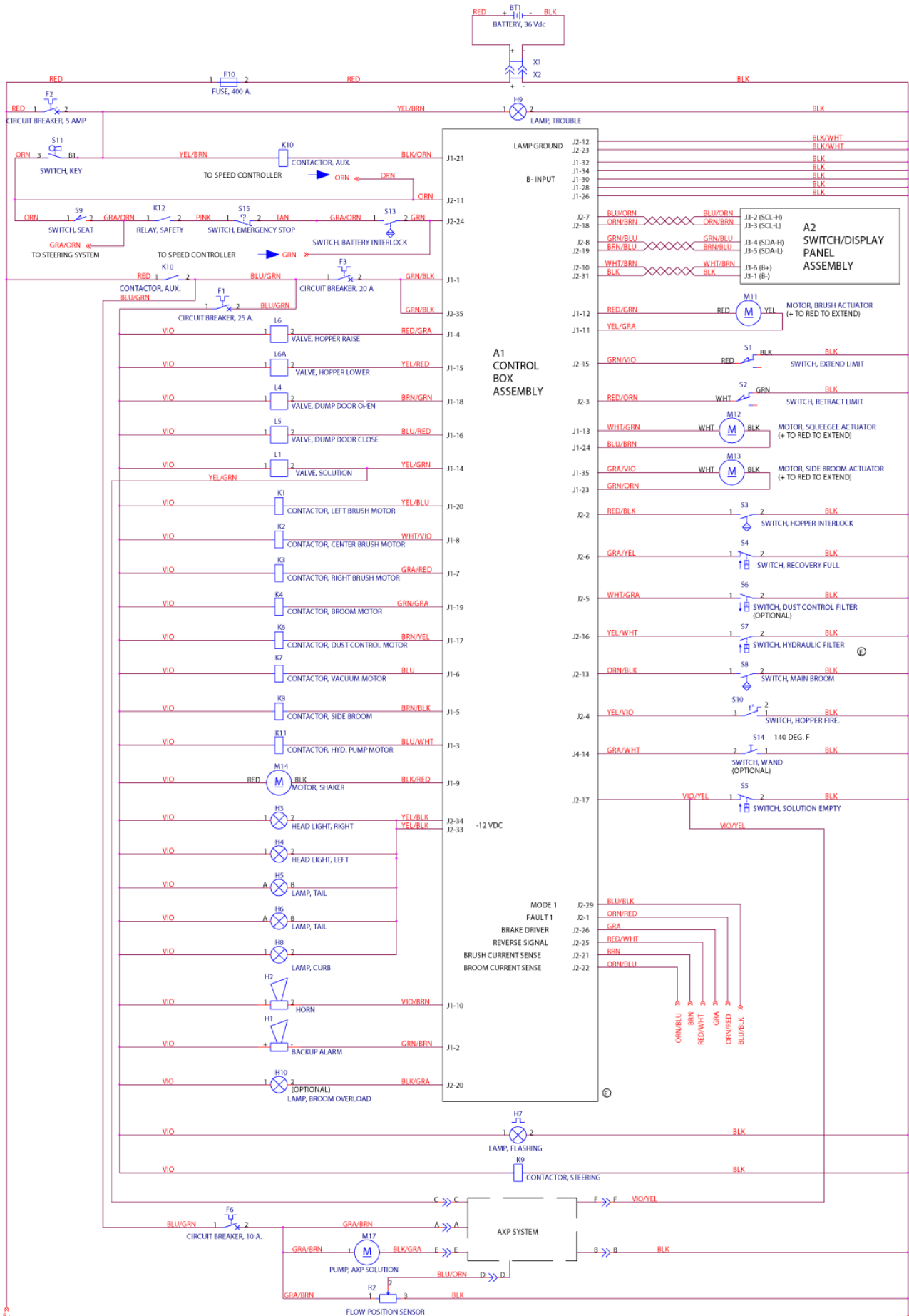
23-11-2012

Part List ID

E153167

CR 1100B / 1200B

87



Wiring Diagram - 1 (After SN1779196) - Main Par

CR 1100B / 1200B

23-11-2012

Part List ID

E153167

88

Pos	Part no.	Qty	Description	
A1	56303543	1	CONTROL BOX ASSEMBLY	
A2	56303552	1	CONTROL PANEL ASSEMBLY	
F1	56469788	1	CIRCUIT BREAKER 25A	AUXILIARY CIRCUIT 1
F2	56387328	1	CIRCUIT BREAKER 5A	AUXILIARY CIRCUIT 2
F3	56395454	1	CIRCUIT BREAKER 20A	AUXILIARY CIRCUIT 3
H1		1	NOTE COMMENT	Backup Alarm - optional
H2	56482365	1	HORN 36V	
H3	56304768	1	LAMP 12V	
H3	56304783	1	BULB LIGHT	for 56304768
H4	56304768	1	LAMP 12V	
H4	56304783	1	BULB LIGHT	for 56304768
H5	56305237	1	BULB LIGHT	
H6	56305237	1	BULB LIGHT	
H7		1	NOTE COMMENT	Lamp, flashing - optional
H8		1	NOTE COMMENT	Lamp, curb - optional
H9	56303353	1	LIGHT BULB 36V	OPTIONAL
K1	56395450	1	CONTACTOR 36 VOLT	
K2	56395450	1	CONTACTOR 36 VOLT	
K3	56395450	1	CONTACTOR 36 VOLT	
K4	56303198	1	CONTACTOR 36V TYPE 4	
K6	56395450	1	CONTACTOR 36 VOLT	
K7	56395450	1	CONTACTOR 36 VOLT	
K8	56395450	1	CONTACTOR 36 VOLT	
K9	56395450	1	CONTACTOR 36 VOLT	
L1	56303189	1	VALVE 36V SOLENOID	
L2	56303189	1	VALVE 36V SOLENOID	
L4	56303435	1	SOLENOID VALVE ITEM 4	
L5	56305369	1	CARTRIDGE	
L6	56303437	1	SOLENOID VALVE ITEM 6	
R2	56303313	1	ROTARY SENSOR NO SPRING	EDS
S1		1	NOTE COMMENT	Switch, extend limit - not available
S2		1	NOTE COMMENT	Switch, retract limit - not available
S3	56305053	1	SENSOR PROXIMITY	
S4	56305977	1	SWITCH LIQUID LEVEL	TSBUS2005-875
S5	56305032	1	SWITCH PRESSURE	
S6		1	NOTE COMMENT	Switch, dust control filter - optional
S7	56418994	1	SWITCH N.O. PRESSURE	
S8	56305053	1	SENSOR PROXIMITY	
S9	7-82-00050	1	SWITCH SEAT	
BT1		1	NOTE COMMENT	Battery 36Vdc
F10	56303297	1	FUSE 400 AMP	MAIN
F12	56387316	1	CIRCUIT BREAKER 10A	EDS
H10	56303350	1	LIGHT RED LED INDICATOR	

NOTE 1: 56303073 is no longer available. If you need to replace 56303073 please order the SBW Steering Kit 56380500.

Wiring Diagram - 1 (After SN1779196) - Main Par

CR 1100B / 1200B

23-11-2012

Part List ID

E153167

89

Pos	Part no.	Qty	Description	
K10	56395450	1	CONTACTOR 36 VOLT	
K11	56303434	1	COIL 36VDC	
L6A	56303437	1	SOLENOID VALVE ITEM 6	
M11	56303095	1	ACTUATOR SCRUB DECK	
M12	56303360	1	ACTUATOR 36V SQUEEGEE LIFT	
M13	56303119	1	ACTUATOR MOTOR	
M14	56467307	1	MOTOR ASSY	
M16	56380500	1	SBW STEERING KIT	NOTE 1 TSBUS2007-982
M17	56413810	1	PUMP 36V	EDS
S10		1	NOTE COMMENT	Switch, hopper fire - optional
S11	56303526	1	KEY REPLACEMENT SET OF 2	replacement key for 56303553 - not shown
S11	56303553	1	KEY SWITCH ASSEMBLY	TSBUS2004-873
S12	56209321	1	SWITCH ROCKER	OPTIONAL
S13	56305053	1	SENSOR PROXIMITY	

NOTE 1: 56303073 is no longer available. If you need to replace 56303073 please order the SBW Steering Kit 56380500.

Wiring Diagram - 2 (After SN1779196) - Main Panel

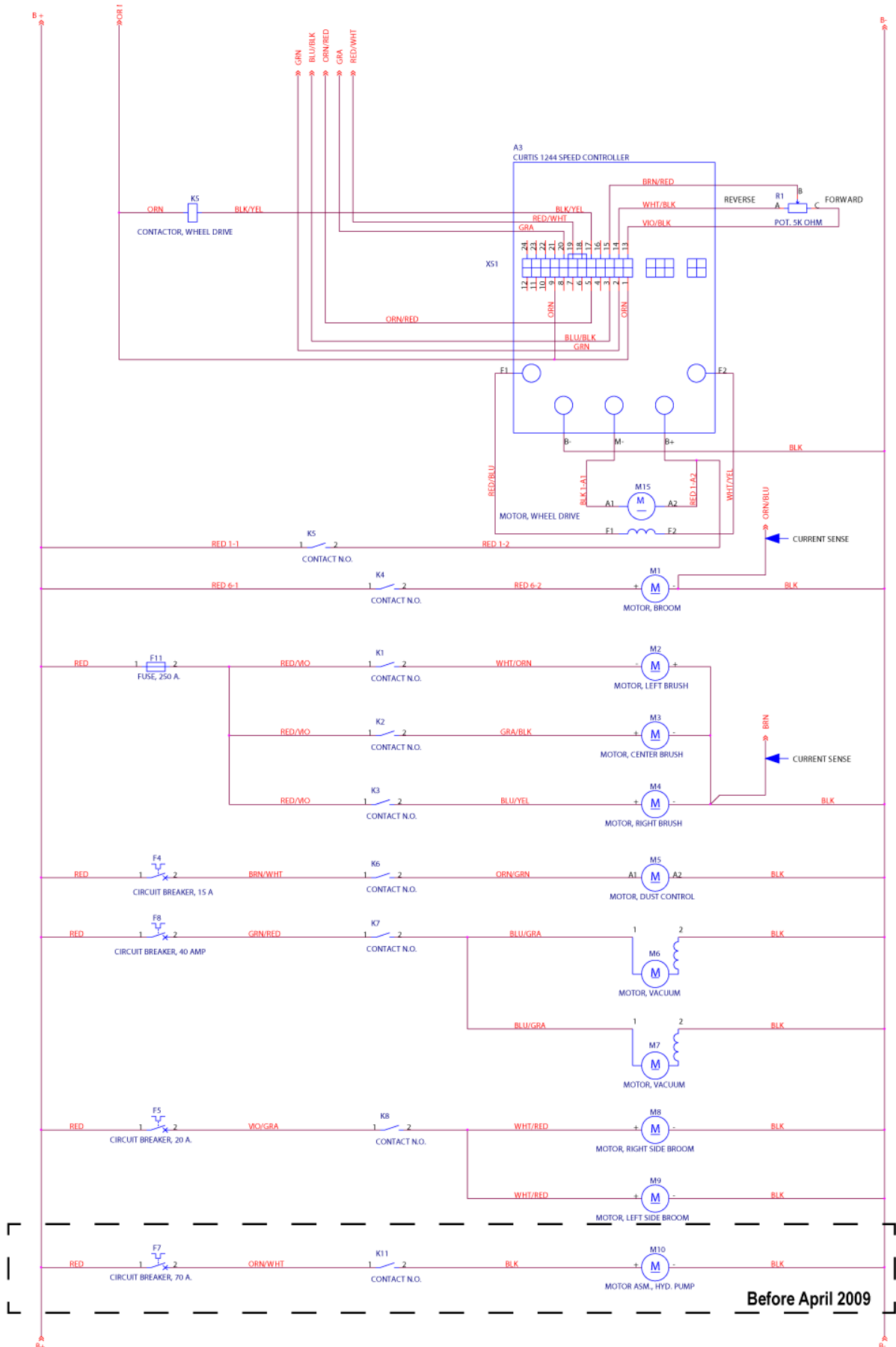
CR 1100B / 1200B

23-11-2012

Part List ID

E153169

90



Before April 2009

Wiring Diagram - 2 (After SN1779196) - Main Par

CR 1100B / 1200B

23-11-2012

Part List ID

E153169

91

Pos	Part no.	Qty	Description	
A3	56303197	1	CONTROLLER ELECTRIC DRIVE	
C1	56303337	1	CAPACITOR TORQUE AMPLIFIER	
F4	56454538	1	CIRCUIT BREAKER 15A	DUST CONTROL
F5	56395454	1	CIRCUIT BREAKER 20A	SIDE BROOMS
F7	56303301	1	CIRCUIT BREAKER 70 AMP	HYDRAULIC PUMP
F8	56303299	1	CIRCUIT BREAKER 40 AMP	VACUUM MOTORS
F9	56303299	1	CIRCUIT BREAKER 40 AMP	POWER STEERING
K1	56395450	1	CONTACTOR 36 VOLT	LEFT BRUSH
K2	56395450	1	CONTACTOR 36 VOLT	CENTER BRUSH
K3	56395450	1	CONTACTOR 36 VOLT	RIGHT BRUSH
K4	56303198	1	CONTACTOR 36V TYPE 4	MAIN BROOM
K5	56303198	1	CONTACTOR 36V TYPE 4	DRIVE WHEEL
K6	56395450	1	CONTACTOR 36 VOLT	DUST CONTROL
K7	56395450	1	CONTACTOR 36 VOLT	VACUUM
K8	56395450	1	CONTACTOR 36 VOLT	SIDE BROOMS
K9	56395450	1	CONTACTOR 36 VOLT	STEERING
M1	56303039	1	MOTOR 2.0 HP	
M1	56303419	4	BRUSH CARBON	Not shown
M1	56303444	4	SPRING BRUSH	Not shown
M2	56303083	1	GEARMOTOR ASSEMBLY	
M2	56303419	4	BRUSH CARBON	Not shown
M2	56303444	4	SPRING BRUSH	Not shown
M3	56303083	1	GEARMOTOR ASSEMBLY	
M3	56303419	4	BRUSH CARBON	Not shown
M3	56303444	4	SPRING BRUSH	Not shown
M4	56303083	1	GEARMOTOR ASSEMBLY	
M4	56303419	4	BRUSH CARBON	Not shown
M4	56303444	4	SPRING BRUSH	Not shown
M5	56416020	1	MOTOR .33HP	
M5	56416595	1	SET OF 2 MOTOR BRUSHES	
M6	56212223	1	CARBON BRUSH SET OF 2	Not shown
M6	56410065	1	VAC MOTOR ASSY	
M7	56212223	1	CARBON BRUSH SET OF 2	Not shown
M7	56410065	1	VAC MOTOR ASSY	
M8	56303442	1	GEARMOTOR ASSEMBLY 36VDC	
M8	56416608	1	BRUSH .25 X .38/SET OF 2	Not shown
M9	56303443	1	GEAR MOTOR ASSEMBLY 36VDC	
M9	56416608	1	BRUSH .25 X .38/SET OF 2	Not shown
R1	56303313	1	ROTARY SENSOR NO SPRING	
F11	56410044	1	FUSE 250 AMP	BRUSH MOTORS
K11	56303434	1	COIL 36VDC	HYDRAULIC PUMP MOTOR
M10	56303040	1	HYDRAULIC POWER UNIT	
M10	56303433	1	BRUSH SPRING KIT	Not shown

NOTE 1: Only used before April 2009.

Wiring Diagram - 2 (After SN1779196) - Main Par

CR 1100B / 1200B

23-11-2012

Part List ID

E153169

92

Pos	Part no.	Qty	Description	
M10	56303561	1	RESERVIOR KIT	Not shown
M15	56303033	1	MOTOR 36VDC 4 HP	
M15	56303426	4	BRUSHES WHEEL DRIVE MOTOR	Not shown
M15	56409746	4	BRUSH SPRING	Not shown
M16	56380500	1	SBW STEERING KIT	NOTE 1 - TSBUS2007-982

NOTE 1: Only used before April 2009.

Wiring diagram-3 (After March 2009) - Main Par

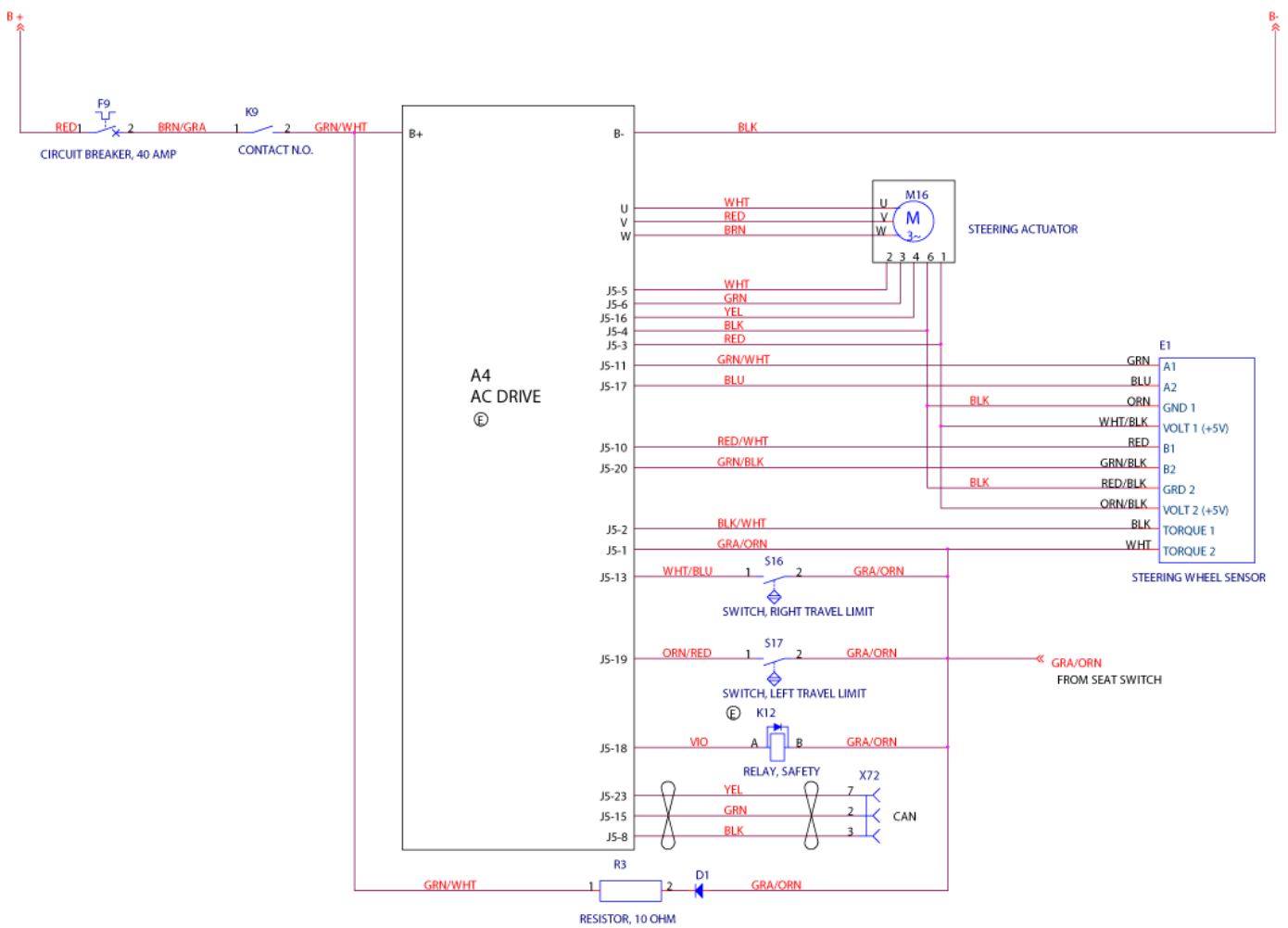
CR 1100B / 1200B

23-11-2012

Part List ID

E153170

93



Wiring diagram-3 (After March 2009) - Main Part

CR 1100B / 1200B

23-11-2012

Part List ID

E153170

94

Pos	Part no.	Qty	Description	
A1	56510729	1	CONTROLLER STEERING	NOTE 1
D1		1	NOTE COMMENT	Diode - NOTE 1 - not available
E1	56380405	1	TORQUE FEEDBACK DEVICE DANAHE	NOTE 1
R3		1	NOTE COMMENT	Resistor, 10 Ohm NOTE - not available
K12	56416157	1	RELAY SPST	NOTE 1
M16	56380406	1	MOTOR STEERING 36V	NOTE 1
S15	56407130	1	DISCONNECT EMERGENCY	NOTE 1
S16	56305053	1	SENSOR PROXIMITY	NOTE 1
S17	56305053	1	SENSOR PROXIMITY	NOTE 1

NOTE 1: Only used after March 2009.

Optional kits and Accessories - Main Parts

CR 1100B / 1200B

23-11-2012

Part List ID

E153171

95

Item	Ref. No.	Qty	Description
			Optional Kits
**	56305509	1	Temperature Switch Kit
**	56305519	1	Backup Alarm Kit (Std)
**	56305517	1	Hopper Filter Switch Kit
**	56305881	1	Beacon Kit (Std on CR 1100B models)
**	56305482	1	Beacon Kit (Std on CR 1200B models)
**	56305896	1	Solution Fill Shutoff Kit (CR 1200 Models)
**	56305820	1	Solution Fill Shutoff Kit (CR 1100 Models)
**	56305493	1	Tower Bumper Kit
**	56303362	1	Trouble Lamp Kit
**	56305530	1	Vacuum Wand Kit
**	56305637	1	Low Clearance Overhead Guard Kit
**	56303573	1	Overhead Guard Kit
**	56303579	1	Overhead Guard Beacon Kit
**	56305641	1	Curb Light Kit
**	56305494	1	Left Side Broom Guard Kit
**	56305495	1	Right Side Broom Guard Kit
**	56305652	1	Both Side Broom Guard Kit
**	56303431	1	Fire Extinguisher Kit
**	56305794	1	Pre-Filter Grid Kit
**	56109306	1	Seat Belt Kit For use on Seat 7-69-00008
**	56303445	1	Main Broom Belt Kit
**	56303381	1	Deluxe Seat Kit
**	56306145	1	Kit, Chemical Injection 36VDC
**	56303572	1	Cleanout Kit
**	56111418	1	Puddle Pick-Up Kit
**	56307221	A/R	Recovery Inlet Seal Kit
			See Accessories Parts List 56042508 for an individual parts break down of each kit
			CR 1100B Squeegee Blade Kits (contains both front and rear blades)
**	56303471	1	Squeegee Blade Kit 43
**	56303469	1	Neoprene Squeegee Blade Kit 43
**	56303562	1	Polyurethane Squeegee Blade Kit 43
			CR 1200B Squeegee Blade Kits (contains both front and rear blades)
**	56303472	1	Squeegee Blade Kit 48
**	56303470	1	Neoprene Squeegee Blade Kit 48
**	56303564	1	Polyurethane Squeegee Blade Kit 48
			Side Blade Kits (All Models / contains 2 long blades & 2 short blades)
**	56305697	1	Side Blade Kit
**	56305685	1	Neoprene Side Blade Kit
			Optional Batteries
**#			DELETED
**#			DELETED
**#			DELETED
**#			DELETED
**#			DELETED
			Optional Chargers
**#			DELETED
**#			DELETED
**#			DELETED
**#			DELETED
**#			DELETED
**#			DELETED
			Battery Accessories
**	56303429	1	Cart, Battery Exchange
**	56303430	1	Rack, Battery Storage
**	56303386	1	Disconnect, Battery Bracket Kit
			Accessories
**#	56044347	1	Literature Pack

** = Optional Accessories

= Revised or new since last update

Optional kits and Accessories - Main Parts

CR 1100B / 1200B

23-11-2012

Part List ID

E153171

96

Pos	Part no.	Qty	Description
1	56305509	1	TEMPERATURE SWITCH KIT
2	56305519	1	BACK UP ALARM KIT
3	56305517	1	HOPPER FILTER SWITCH KIT
4	56305881	1	BEACON KIT 60
5	56305482	1	BEACON KIT
6	56305896	1	SOLUTION FULL SHUTOFF KIT
7	56305820	1	SOLUTION FILL SHUTOFF KIT 60
8	56305493	1	TOWER BUMPER KIT
9	56303362	1	TROUBLE LAMP KIT
10	56305530	1	VACUUM WAND KIT
11	56305637	1	LOW CLEARANCE OH GUARD KIT
12	56303573	1	OVERHEAD GUARD KIT
13	56303579	1	OH GUARD BEACON KIT
14	56305641	1	CURB LIGHT KIT
15	56305494	1	LEFT SIDE BROOM GUARD KIT
16	56305495	1	RIGHT SIDE BROOM GUARD KIT
17	56305652	1	L R SIDEBROOM GUARD KIT
18	56303431	1	FIRE EXTINGUISHER KIT
19	56305794	1	PRE FILTER GRID KIT
20	56109306	1	SEAT BELT KIT
21	56303445	1	BELT KIT MAIN BROOM
22	56303381	1	DELUXE SEAT KIT BATTERY
23	56306145	1	KIT CHEMICAL INJECTION 36VDC
24	56303572	1	CLEANOUT KIT
25	56111418	1	PUDDLE PICK UP KIT
26	56307221	1	RECOVERY INLET SEAL KIT
30	56303471	1	BLADE KIT SQGEE RED GUM
31	56303469	1	4300B NEOPRENE BLADE KIT
32	56303562	1	POLYURET SQUEEGEE BLADE 43 KIT
40	56303472	1	BLADE KIT SQGEE RED GUM
41	56303470	1	4800B NEOPRENE BLADE KIT
42	56303564	1	POLYURET SQUEEGEE BLADE 48 KIT
50	56305697	1	BLADE KIT DISC RED GUM
51	56305685	1	BLADE KIT DISC NEOPRENE
60	L00200052	1	BATT.36V-500AH GEL SINGLE CELLS IN TRAY
61	L00200053	1	BATT.36V-625AH WET TRAY W. AQUAMATIC
63	80561100	1	BATT.36V-800AH WET TRAY WITH AQUAMATIC
64	80561100	1	BATT.36V-800AH WET TRAY WITH AQUAMATIC
70	80573680	1	CHARGER HF 36V 80A SB350G TRIPHASEWET
71	80573680	1	CHARGER HF 36V 80A SB350G TRIPHASEWET

Replaces 80546541

All parts is Optional Accessories

See Accessories Parts List 56042508 for an individual parts break down of each kit

Pos. 1-26 - Optional Kits

Pos. 30-32 - CR 1100B Squeegee Blade Kits (contains both front and rear blades)

Pos. 40-42 - CR 1200B Squeegee Blade Kits (contains both front and rear blades)

Pos. 50-51 - Side Blade Kits (all models/contains 2 long blades and short blades)

Optional kits and Accessories - Main Parts

CR 1100B / 1200B

23-11-2012

Part List ID

E153171

97

Pos	Part no.	Qty	Description
72	80583614	1	CHARGER 36V 140A SB350G TRIPHASEWET
73	80583614	1	CHARGER 36V 140A SB350G TRIPHASEWET
74	80546642	1	BATTERY CHARGER 36/105 UK
75	80546641	1	BATTERY CHARGER 36/105 EU
80	56303429	1	CART BATTERY EXCHANGE
81	56303430	1	RACK BATTERY STORAGE
82	56303386	1	DISCONNECT BATTERY BRACKET KIT

All parts is Optional Accessories

See Accessories Parts List 56042508 for an individual parts break down of each kit

Pos. 1-26 - Optional Kits

Pos. 30-32 - CR 1100B Squeegee Blade Kits (contains both front and rear blades)

Pos. 40-42 - CR 1200B Squeegee Blade Kits (contains both front and rear blades)

Pos. 50-51 - Side Blade Kits (all models/contains 2 long blades and short blades)

Beacon Kit (CR 1200B) - Main Parts

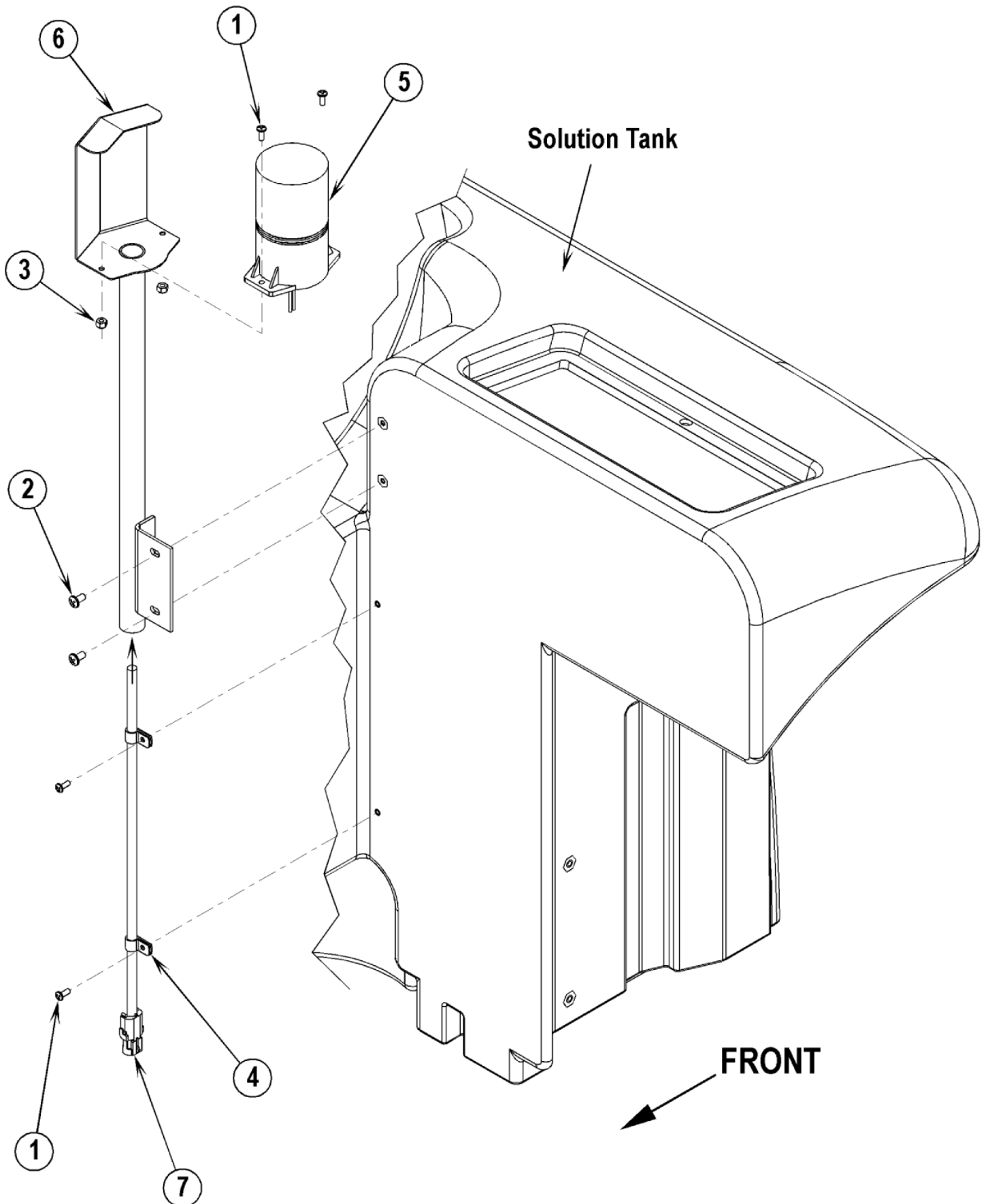
CR 1100B / 1200B

23-11-2012

Part List ID

E153173

98



Beacon Kit (CR 1200B) - Main Parts

CR 1100B / 1200B

23-11-2012

Part List ID

E153173

99

Pos	Part no.	Qty	Description
0	56305482	1	BEACON KIT Standard on CR 1200B model
1	56001993	4	SCREW 10 24 X 0.5 ZINC PL
2	56002145	2	SCR PAN PHIL 1/4 20 X .50
3	56002768	2	NUT HEX NYL LOC 10 24
4	56172017	2	P CLIP E00129
5	56305223	1	BEACON WARNING
6	56305481	1	TUBE WELDMENT
7	56305513	1	HARNESS BEACON

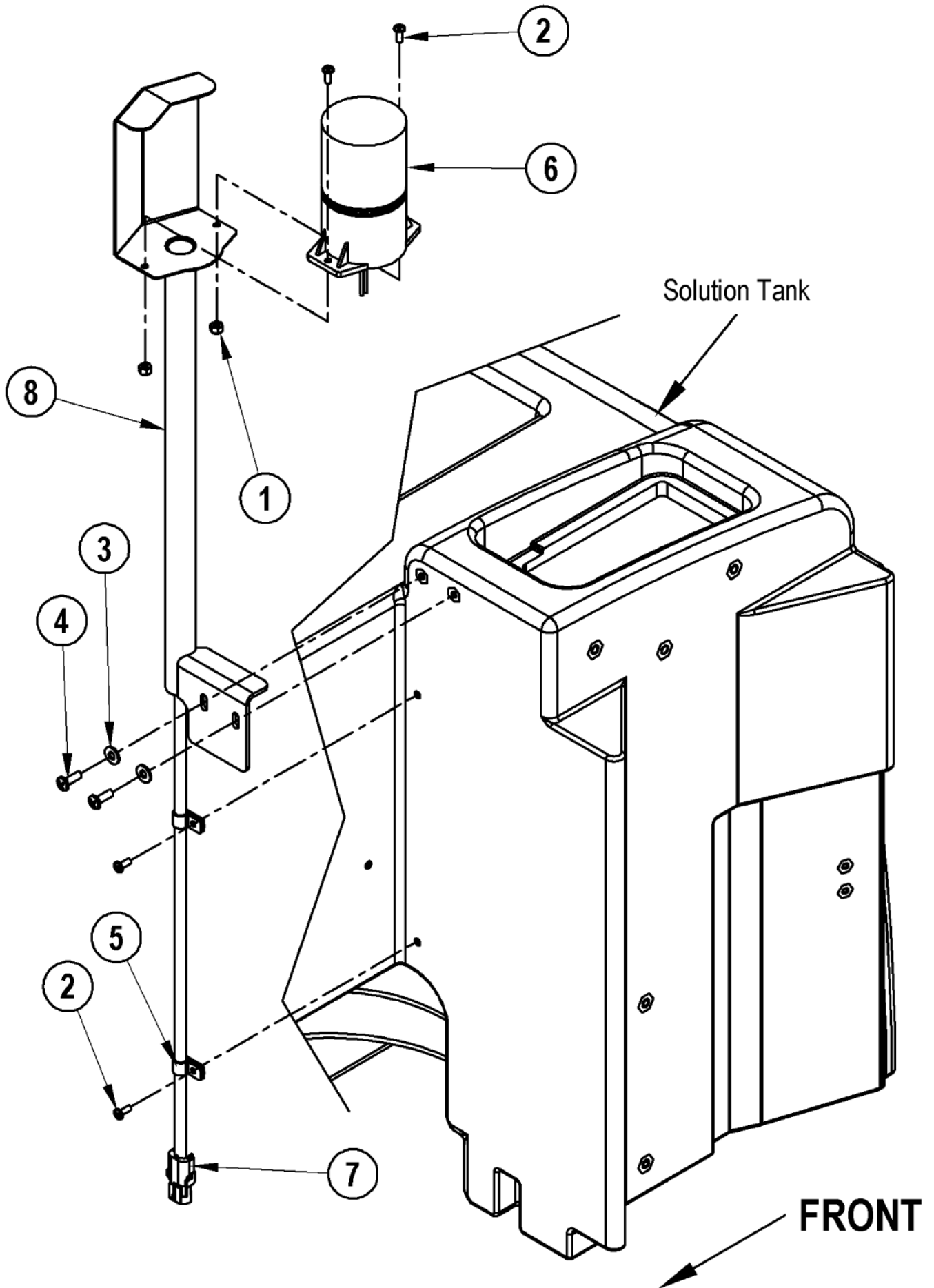
Beacon Kit (CR 1100B) - Main Parts

23-11-2012

Part List ID E153175

CR 1100B / 1200B

100



Beacon Kit (CR 1100B) - Main Parts

CR 1100B / 1200B

23-11-2012

Part List ID

E153175

101

Pos	Part no.	Qty	Description
0	56305881	1	BEACON KIT 60
1	56002768	2	NUT HEX NYL LOC 10 24
2	56001993	4	SCREW 10 24 X 0.5 ZINC PL
3	56002098	2	WSH FLT SAE 1/4
4	56002507	2	SCR PAN PHIL 1/4 20 X .75
5	56172017	2	P CLIP E00129
6	56305223	1	BEACON WARNING
7	56305513	1	HARNESS BEACON
8	56305883	1	BEACON MOUNT WELDMENT 60

Back-Up Alarm kit - Main Parts

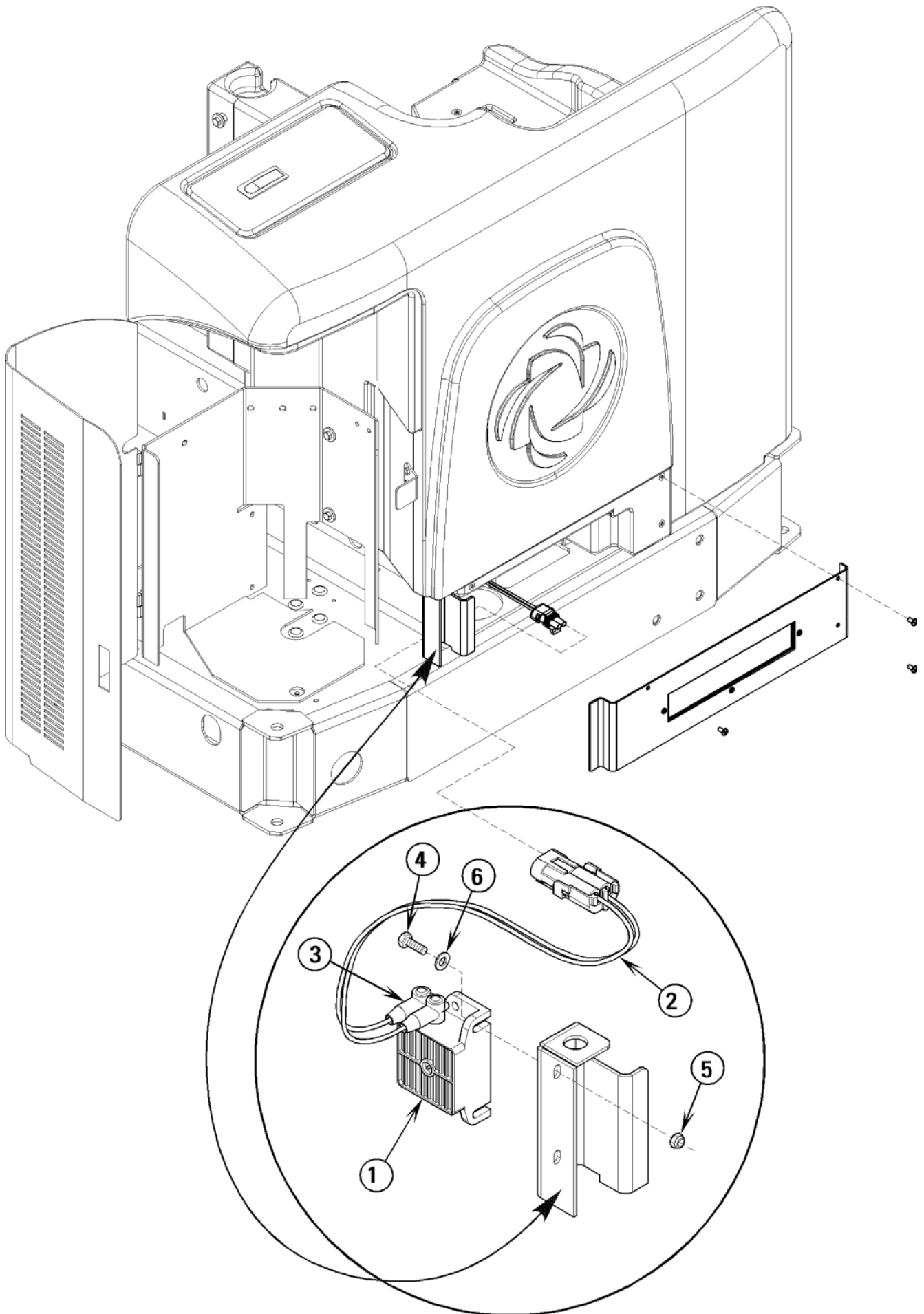
CR 1100B / 1200B

23-11-2012

Part List ID

E153177

102



Back-Up Alarm kit - Main Parts

CR 1100B / 1200B

23-11-2012

Part List ID

E153177

103

Pos	Part no.	Qty	Description
0	56305519	1	BACK UP ALARM KIT Standard on all models
1	56409232	1	BACK UP ALARM
2	56409495	1	WIRE ASSY. PIGTAIL
3	56409538	2	TERMINAL INSULATOR
4	56009018	2	SCR HEX THD FORM 1/4 20X .75
5	56002708	2	NUT HEX NYL LOC 1/4 20
6	56002098	2	WSH FLT SAE 1/4

Broom Selector Guide - Main Parts

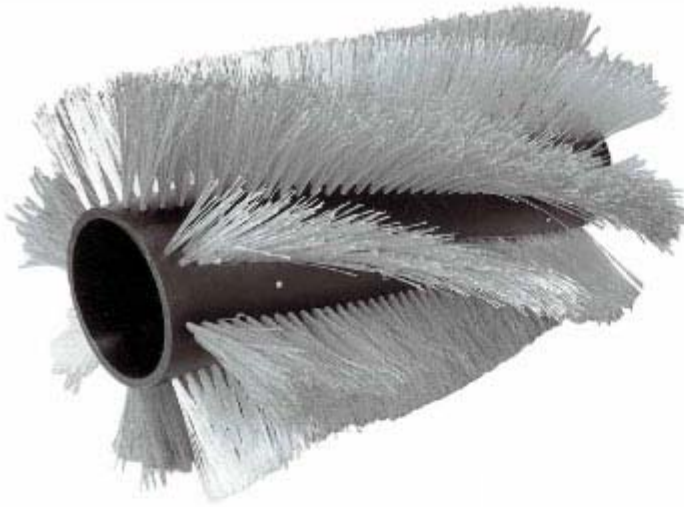
CR 1100B / 1200B

23-11-2012

Part List ID

E153178

104



Main Broom:

PN56505955 Proex & Wire (STD.) (8 Double Rows)

This broom has a more aggressive cleaning action, used to pick up heavier debris.

PN56505956 Prolene (Optional) (8 Double Rows)

A top quality synthetic fiber. This filament is made for a wide variety of applications. Retains its stiffness when wet and resists abrasive chemicals, solvents and oils. A general purpose material offering high performance for a wide range of applications.

PN56505953 Nylon (Optional) (8 Double Rows)

General purpose broom that can be used for all types of light soil. High wear material so uneven surfaces do not cause excessive wear. Nylon has a high heat deflection temperature, is chemical resistant and will absorb water in wet conditions. Truly a general purpose broom.

PN56505952 Proex (Optional) (12 Double Rows)

PN56505954 Proex (Optional) (8 Double Rows)

Synthetic fiber made of polypropylene designed to pick up paper, gravel, sand and other lighter less bulky litter.

PN56505951 Poly/Wire (Optional) (8 Double Rows)

Side Broom:

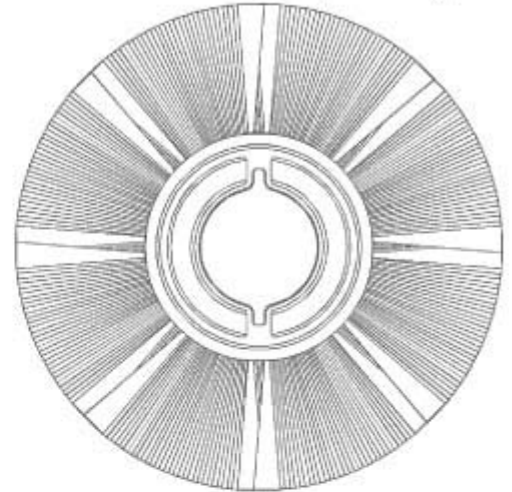
PN56462252 Polypropylene (STD.)

The side broom function is to sweep the dirt and debris away from the curb, wall, pallet, etc. into the path of the main broom.

8 Double Row

Length.....40" (101.6 cm)

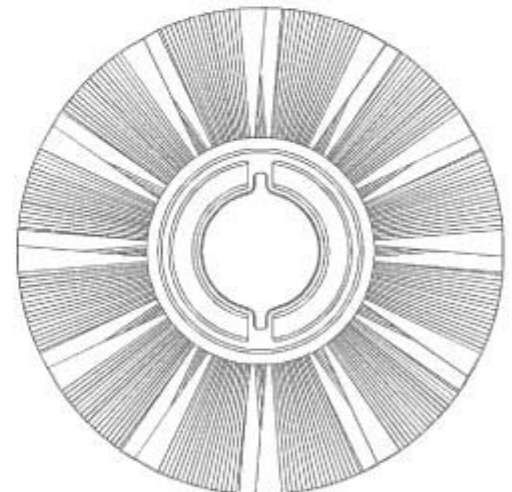
Diameter.....14" (35.56 cm)



12 Double Row

Length.....40" (101.6 cm)

Diameter.....14" (35.56 cm)



Diameter.....20" (50.8 cm)

Broom Selector Guide - Main Parts

CR 1100B / 1200B

23-11-2012

Part List ID

E153178

105

Pos	Part no.	Qty	Description
1	56505955	1	MAIN BROOM PROEX/WIRE 8 DBL
2	56505956	1	MAIN BROOM PROLENE 8 DBL ROWS
3	56505953	1	MAIN BROOM NYLON 8 DBL ROWS
4	56505952	1	MAIN BROOM PROEX 12 DBL
5	56505954	1	MAIN BROOM PROEX 8 DBL ROWS
6	56505951	1	MAIN BROOM POLY/WIRE 8 DBL
7	56462252	1	BROOM POLY SIDE

Brush Selector Guide - Main Parts

CR 1100B / 1200B

23-11-2012

Part List ID
E153179

107

Pos	Part no.	Qty	Description
1	56505946	1	DISC BRUSH 15 UNION MIX 3 LUG
2	56505944	1	DISC BRUSH 15 PROLENE 3 LUG
3	56505942	1	BRUSH DYNAGRIT 15
4	56505947	1	DISC BRUSH 15 MIDGRIT 3 LUG
5	56505940	1	BRUSH PAD HOLDER 15
6	56505945	1	DISC BRUSH 15 PROLITE 3 LUG
7	56505945	1	DISC BRUSH 15 PROLITE 3 LUG
8	56505941	1	DISC BRUSH 15 MAGNAGRIT 3 LUG
9	56505948	1	DISC BRUSH 15 MDLITE 3 LUG
10	56505943	1	BRUSH AGLITE 15
11	56505786	1	DISC BRUSH 17 UNION MIX 3 LUG
12	56505784	1	DISC BRUSH 17 PROLENE 3 LUG
13	56505782	1	DISC BRUSH 17 DYNAGRIT 3 LUG
14	56505787	1	DISC BRUSH 17 MIDGRIT 3 LUG
15	56505780	1	PAD HOLDER 17 3 LUG
16	56505785	1	DISC BRUSH 17 PROLITE 3 LUG
17	56505785	1	DISC BRUSH 17 PROLITE 3 LUG
18	56505781	1	DISC BRUSH 17 MAGNAGRIT 3 LUG
19	56505788	1	DISC BRUSH 17 MDLITE 3 LUG
20	56505783	1	DISC BRUSH 17 AGLITE 3 LUG

List of Kits - Accessories

23-11-2012

Part List ID
E14911

CR 1100B / 1200B

108

Part Number	Kit Name	For use on: Engine and Battery CR 1100, 1200 & 1400	For use on: Haram Captor	For use on: Engine CR 1100, 1200 & 1400 only	For use on: Battery CR 1100B & 1200B only	Page
56305482	Beacon Kit*	X				5
56305881	Beacon Kit (60 Gallon)*	X				7
56305652	Both Side Broom Guard Kit	X				9
56305494	Broom Guard Kit, Left	X				9
56305495	Broom Guard Kit, Right	X				9
56303572	Cleanout Kit (recovery tank)	X	X			13
56305641	Curb Light Kit	X	X			15
56304025	High Durability Drive Tire	X				21
#56380444	High Durability Drive Tire, Urethane	X				21
56305517	Hopper Filter Switch Kit (Plugged)	X	X			23
56305637	Low Clearance Overhead Guard Kit	X				25
56303573	Overhead Guard Kit	X	*			25
56303579	OH Guard Beacon kit	X	*			25
56305794	Pre-Filter Grid Kit	X	X			27
56307221	Recovery Inlet Seal Kit	X	X			29
56109306	Seat Belt Kit	X	X			31
56305585	Solution Fill Shutoff Kit (obsolete)	X				33
56305896	Solution Fill Shutoff Kit	X	X			35
56305820	Solution Fill Shutoff Kit (60 Gallon)**	X				35
56305509	Temp Switch Kit	X	X			23
56305493	Tower Bumper Kit	X				37
56305530	Vacuum Wand Kit	X	X			41
56305519	Back-Up Alarm Kit*			X		3
56305643	Camera Kit		X	X		11
56305647	Controller Interface Kit		X	X		Not Shown
56305621	Fire Extinguisher Kit		X	X		17
56304044	High Durability Rear Wheel Assy			X		21
#56306207	High Durability Rear Wheel Assy			X		21
56305997	Rear Wheel Assy, 3x Groove 6			X		21
56305611	Deluxe Seat Kit			X		30
56303381	Deluxe Seat Kit w/Switch				X	30
56305628	Under-Hood Light Kit		X	X		39
56303355	Back-Up Alarm*				X	3
56303431	Fire Extinguisher Kit				X	19
56303028	High Durability Rear Wheel Assy				X	21
#56303595	High Durability Rear Wheel Assy				X	21
56303560	Rear Wheel Assy, 3x Groove 6				X	21
56303362	Trouble Lamp Kit				X	39
56306138	Chemical Injection Kit - 12VDC			X		43, 45
56306145	Chemical Injection Kit - 36VDC				X	47, 49

List of Kits - Accessories

CR 1100B / 1200B

23-11-2012

Part List ID E14911

109

Pos	Part no.	Qty	Description	
1	56305482	1	BEACON KIT	
2	56305881	1	BEACON KIT 60	
3	56305652	1	L R SIDEBROOM GUARD KIT	
4	56305494	1	LEFT SIDE BROOM GUARD KIT	
5	56305495	1	RIGHT SIDE BROOM GUARD KIT	
6	56303572	1	CLEANOUT KIT	
7	56305641	1	CURB LIGHT KIT	
8	56304025	1	TIRE PRESS ON 16 1/4 X 6	
9	56380444	1	TIRE PRESS ON 16 1/4 X 6	
10	56305517	1	HOPPER FILTER SWITCH KIT	
11	56305637	1	LOW CLEARANCE OH GUARD KIT	
12	56303573	1	OVERHEAD GUARD KIT	
13	56303579	1	OH GUARD BEACON KIT	
14	56305794	1	PRE FILTER GRID KIT	
15	56307221	1	RECOVERY INLET SEAL KIT	
16	56109306	1	SEAT BELT KIT	
18	56305896	1	SOLUTION FULL SHUTOFF KIT	
19	56305820	1	SOLUTION FILL SHUTOFF KIT 60	
20	56305509	1	TEMPERATURE SWITCH KIT	
21	56305493	1	TOWER BUMPER KIT	
22	56305530	1	VACUUM WAND KIT	
23	56305519	1	BACK UP ALARM KIT	
24	56305643	1	REAR VIEW CAMERA KIT	
25	56305647	1	CONTROLLER INTERFACE KIT	Not shown
26	56305621	1	FIRE EXTINGUISHER KIT	
27	56304044	1	REAR WHEEL ASSEMBLY	
28	56306207	1	URETHANE WHEEL ASSY	
29	56305997	1	WHEEL ASSY 6 3X GROOVE IC MDL	
30	56305611	1	DELUXE SEAT KIT	
31	56303381	1	DELUXE SEAT KIT BATTERY	
32	56305628	1	UNDER HOOD LIGHT KIT	
33	56305519	1	BACK UP ALARM KIT	Replaces 56303355
34	56303431	1	FIRE EXTINGUISHER KIT	
35	56303028	1	REAR WHEEL ASSEMBLY	
36	56303595	1	URETHANE WHEEL ASSY	
37	56303560	1	WHEEL ASSY 6 3XGROOVE BATTERY	
38	56303362	1	TROUBLE LAMP KIT	
39	56306138	1	KIT CHEMICAL INJECTION 12 VDC	
40	56306145	1	KIT CHEMICAL INJECTION 36VDC	

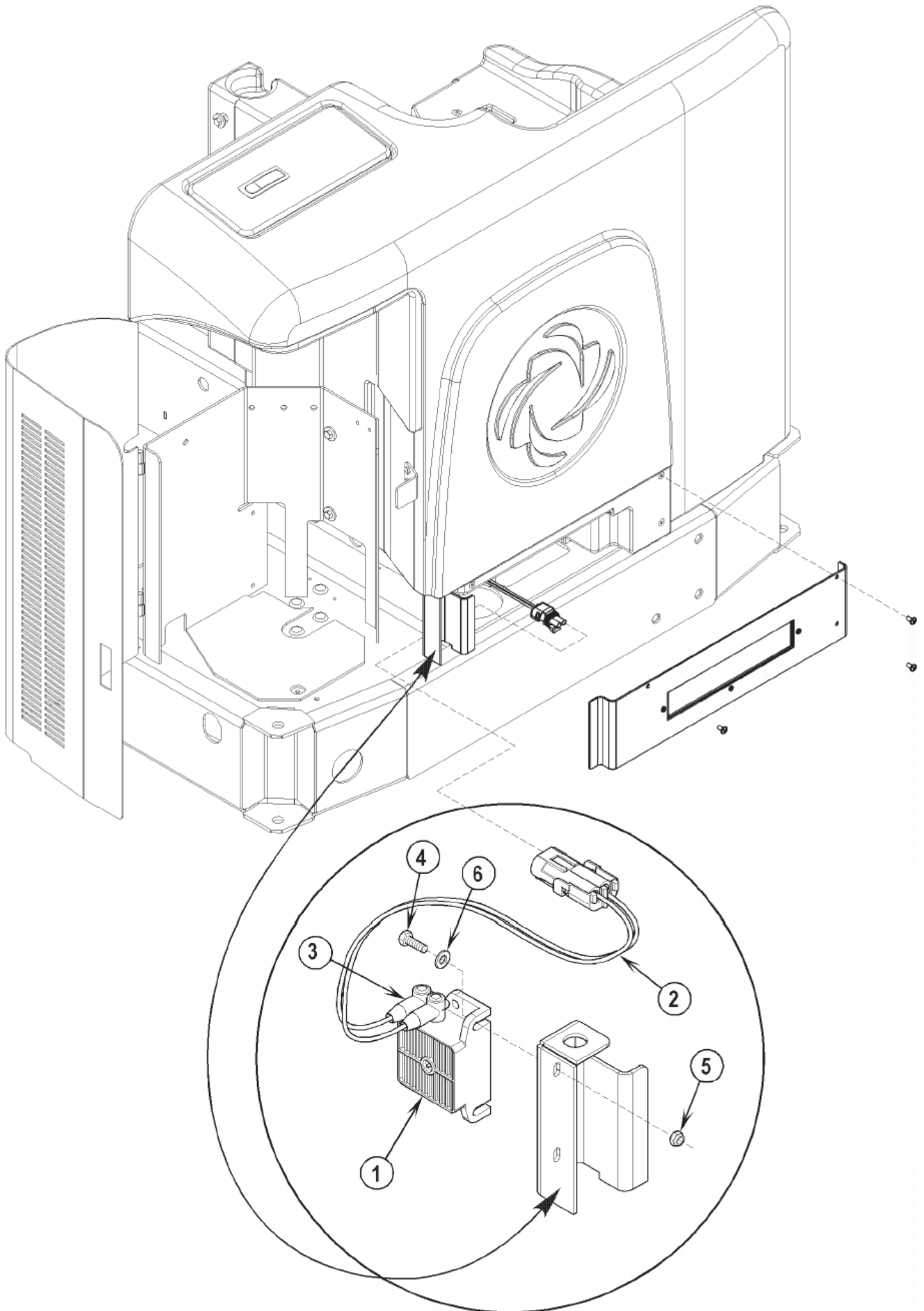
Back-up alarm kit - Accessories

CR 1100B / 1200B

23-11-2012

Part List ID E14913

110



Back-up alarm kit - Accessories

CR 1100B / 1200B

23-11-2012

Part List ID E14913

111

Pos	Part no.	Qty	Description
0	56305519	1	BACK UP ALARM KIT
1	56409232	1	BACK UP ALARM
2	56409495	1	WIRE ASSY. PIGTAIL
3	56409538	2	TERMINAL INSULATOR
4	56002155	2	SCR HEX 1/4 20 X .75
5	56002708	2	NUT HEX NYL LOC 1/4 20
6	56002098	2	WSH FLT SAE 1/4

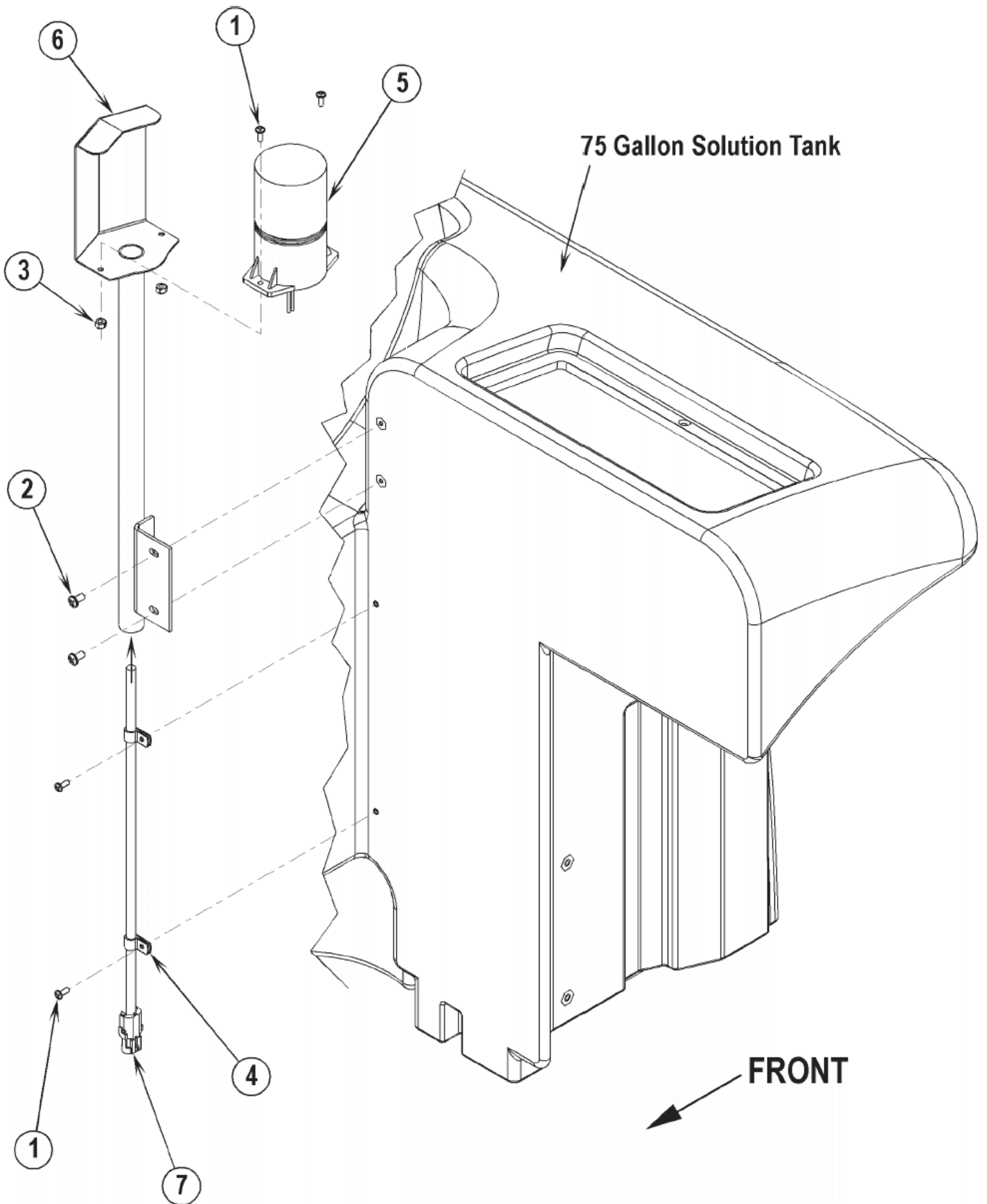
Beacon Kit - Accessories

CR 1100B / 1200B

23-11-2012

Part List ID
E14915

112



Beacon Kit - Accessories

CR 1100B / 1200B

23-11-2012

Part List ID E14915

113

Pos	Part no.	Qty	Description
0	56305482	1	BEACON KIT Standard on CR 1200 an 1400 models
1	56001993	4	SCREW 10 24 X 0.5 ZINC PL
2	56002145	2	SCR PAN PHIL 1/4 20 X .50
3	56002832	2	NUT HEX NYL LOC THIN 10 24
4	56172017	2	P CLIP E00129
5	56305223	1	BEACON WARNING
6	56305481	1	TUBE WELDMENT
7	56305513	1	HARNESS BEACON

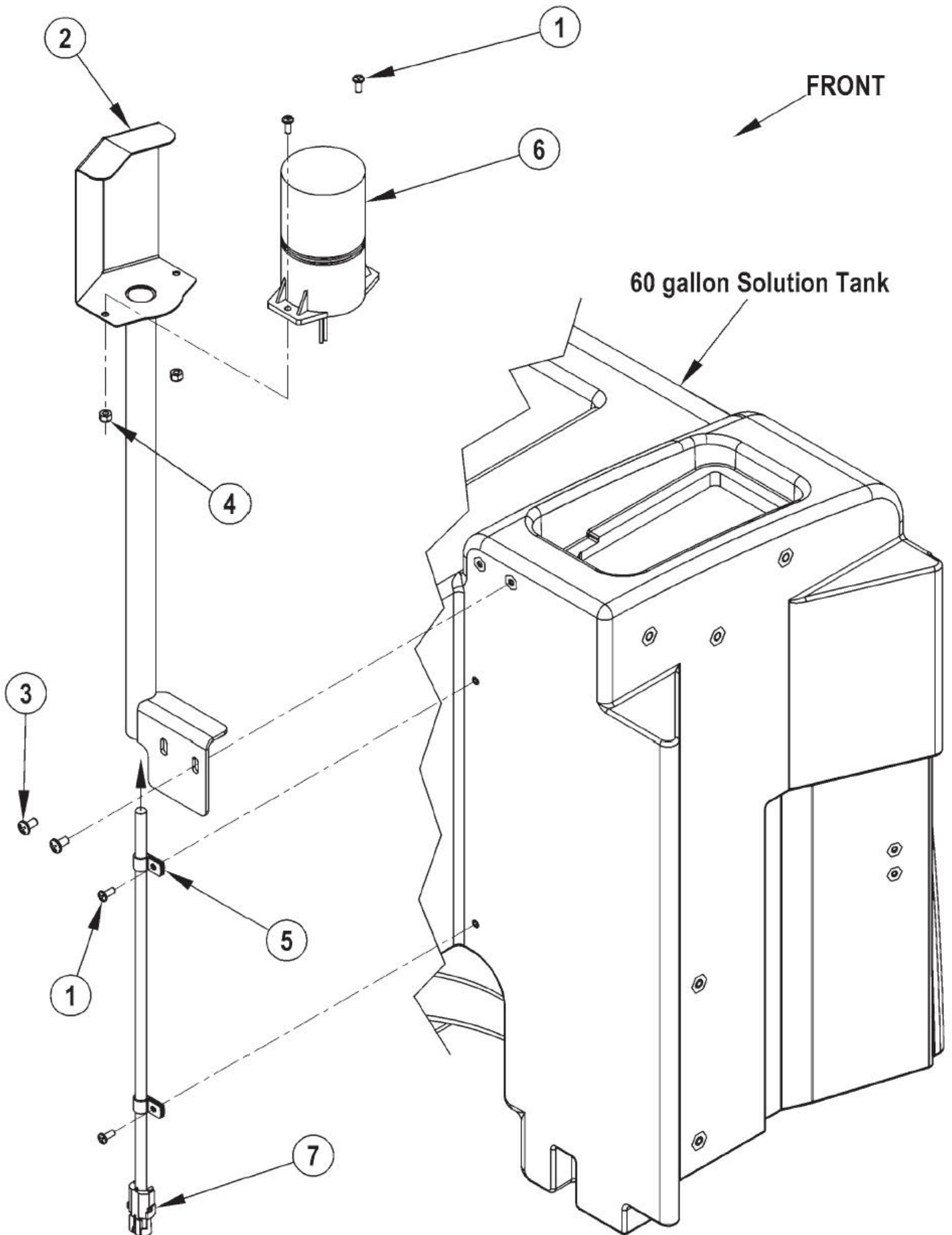
Beacon Kit (60 Gallon) - Accessories

CR 1100B / 1200B

23-11-2012

Part List ID E14917

114



Beacon Kit (60 Gallon) - Accessories

CR 1100B / 1200B

23-11-2012

Part List ID

E14917

115

Pos	Part no.	Qty	Description
0	56305881	1	BEACON KIT 60 Standard on CR 1100 models
1	56001993	4	SCREW 10 24 X 0.5 ZINC PL
2	56305883	1	BEACON MOUNT WELDMENT 60
3	56002145	2	SCR PAN PHIL 1/4 20 X .50
4	56002832	2	NUT HEX NYL LOC THIN 10 24
5	56172017	2	P CLIP E00129
6	56305223	1	BEACON WARNING
7	56305513	1	HARNESS BEACON

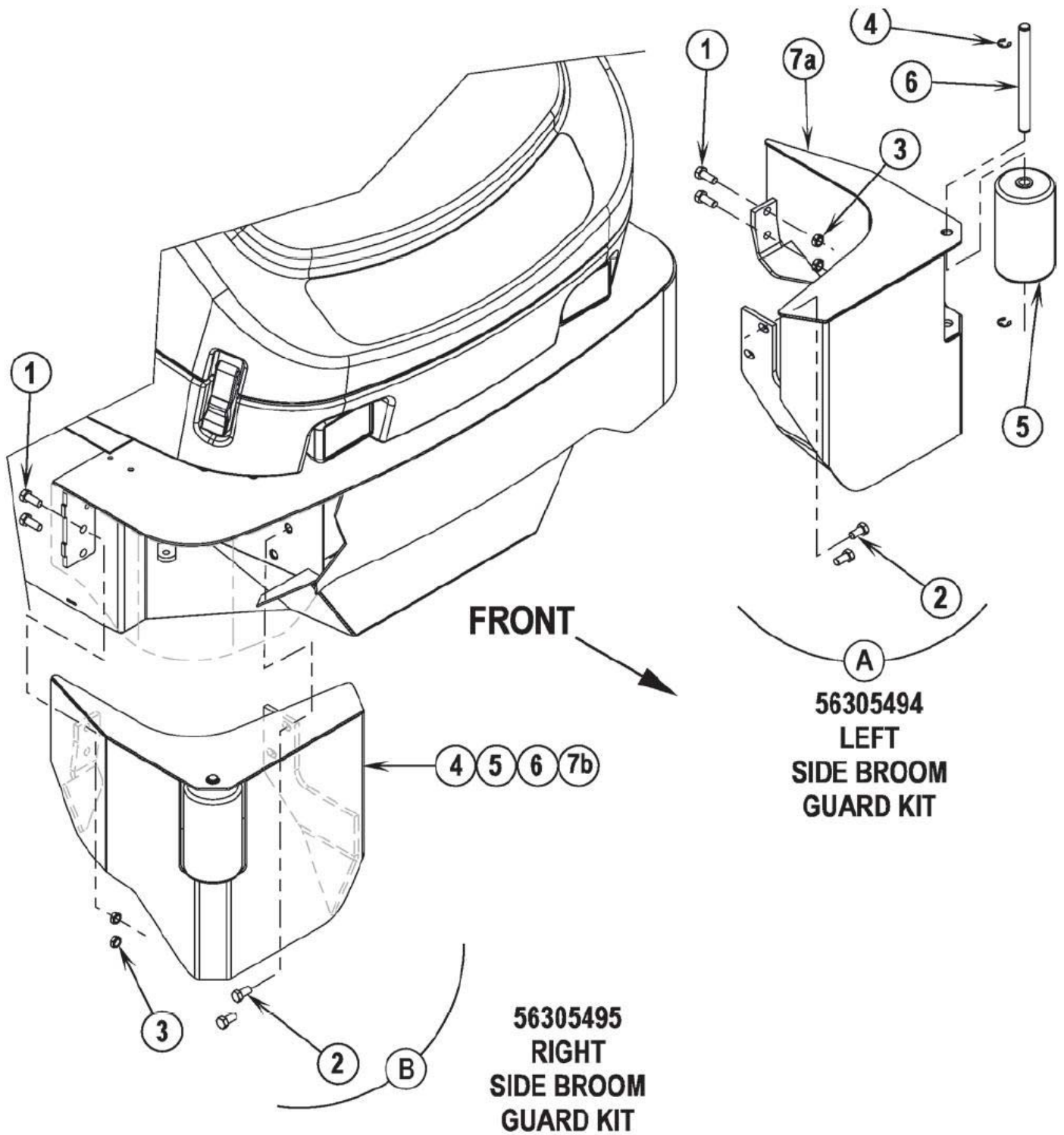
Broom Guard kit - Accessories

CR 1100B / 1200B

23-11-2012

Part List ID E14919

116



Broom Guard kit - Accessories

CR 1100B / 1200B

23-11-2012

Part List ID

E14919

117

Pos	Part no.	Qty	Description
0	56305652	1	L R SIDEBROOM GUARD KIT Items A and B
1	56001831	2	SCR HEX 1/2 13 X 1.25
2	56001895	2	SCR HEX 1/2 13 X 1.00
3	56002843	2	NUT HEX NYL LOC THIN 1/2 13
4	56003266	2	RING RET EXT TYPE E
5	56409335	1	BUMPER ROLLER
6	56409336	1	PIN
A	56305494	1	LEFT SIDE BROOM GUARD KIT
B	56305495	1	RIGHT SIDE BROOM GUARD KIT
7A	56305322	1	LEFT GUARD WELDMENT
7B	56305321	1	RIGHT GUARD WELDMENT

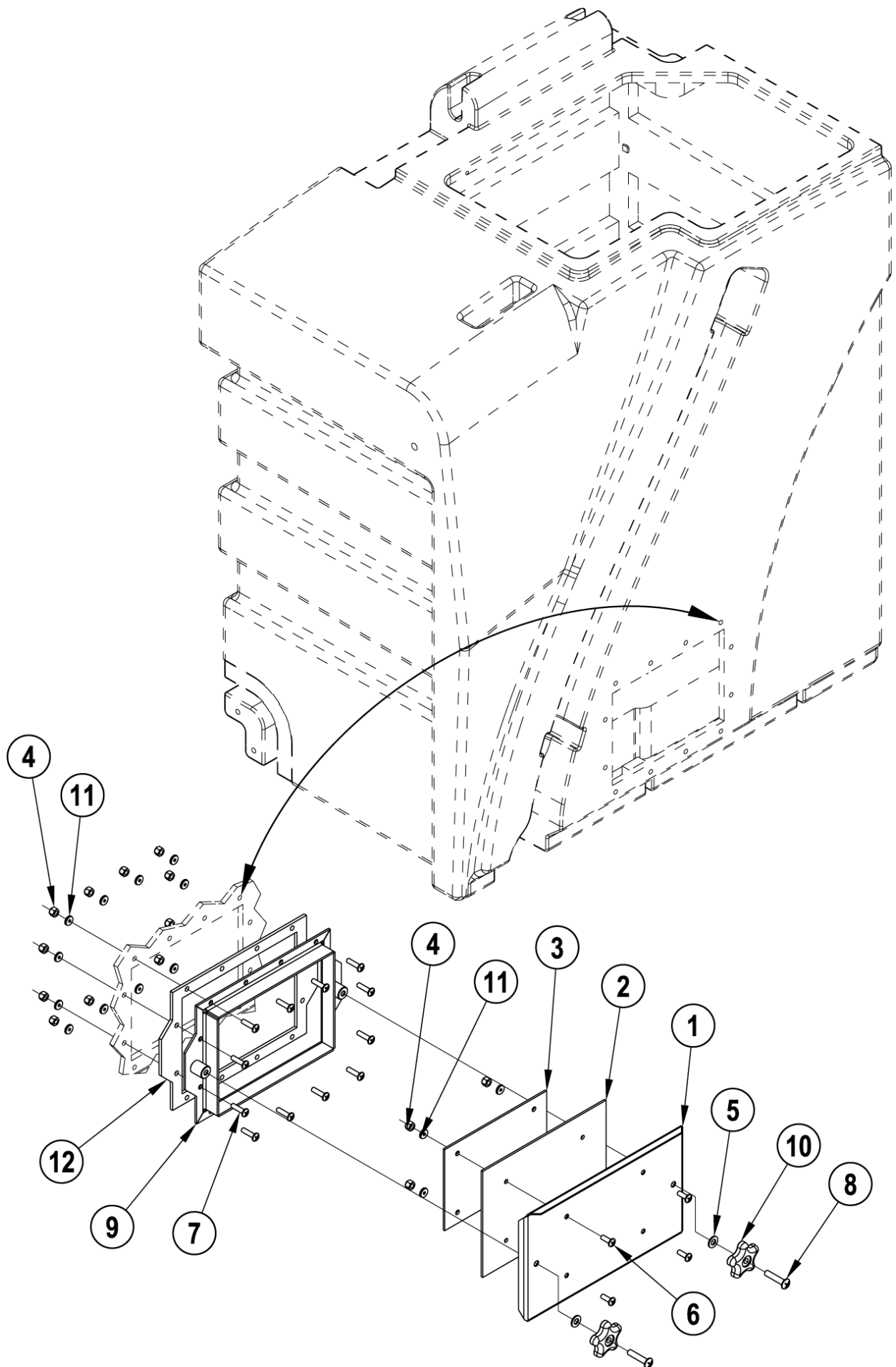
Cleanout Kit - Accessories

CR 1100B / 1200B

23-11-2012

Part List ID 149113

118



Cleanout Kit - Accessories

CR 1100B / 1200B

23-11-2012

Part List ID 149113

119

Pos	Part no.	Qty	Description
0	56303572	1	CLEANOUT KIT
1	56459302	1	COVER
2	56459303	1	GASKET DOOR
3	56459312	1	PLATE
4	56002491	16	NUT HEX NYL LOC SS 1/4 20
5	56002938	2	WSH FLT SAE SS 5/16
6	56002957	4	SCR PAN PHIL SS 1/4 20 X .75
7	56003067	12	SCR. PAN PHIL. SS 1/4 20 1.00
8	56003208	2	SCR PAN PHIL SS 5/16 18 X 1.50
9	56303568	1	FRAME WELDMENT
10	56396254	2	KNOB
11	56900737	16	WASHER SEALING E00256
12	56303578	1	GASKET BASE

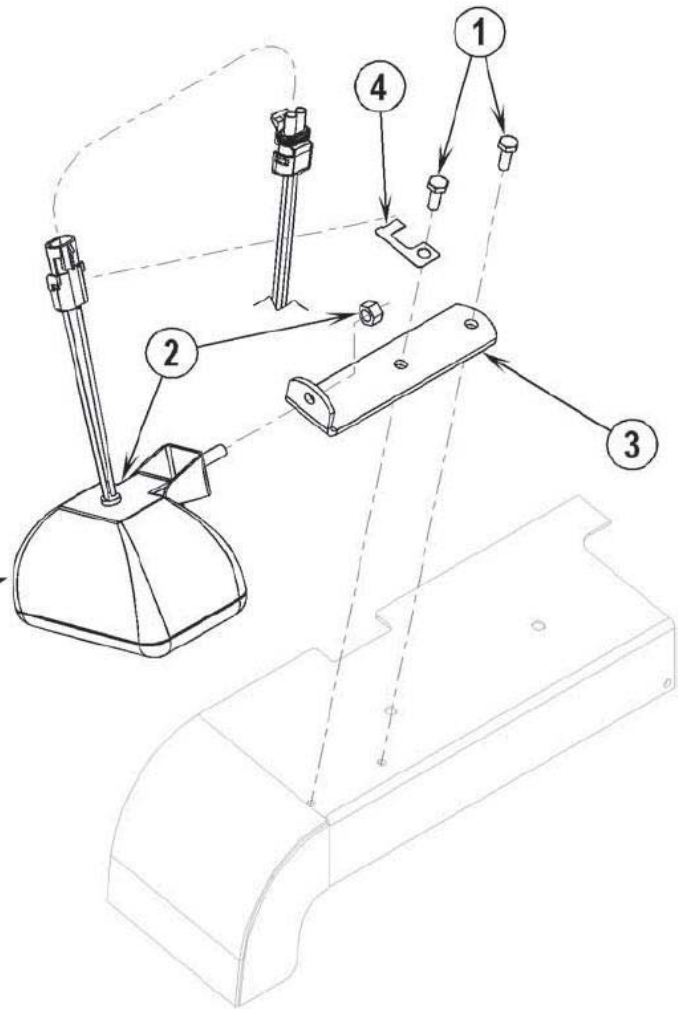
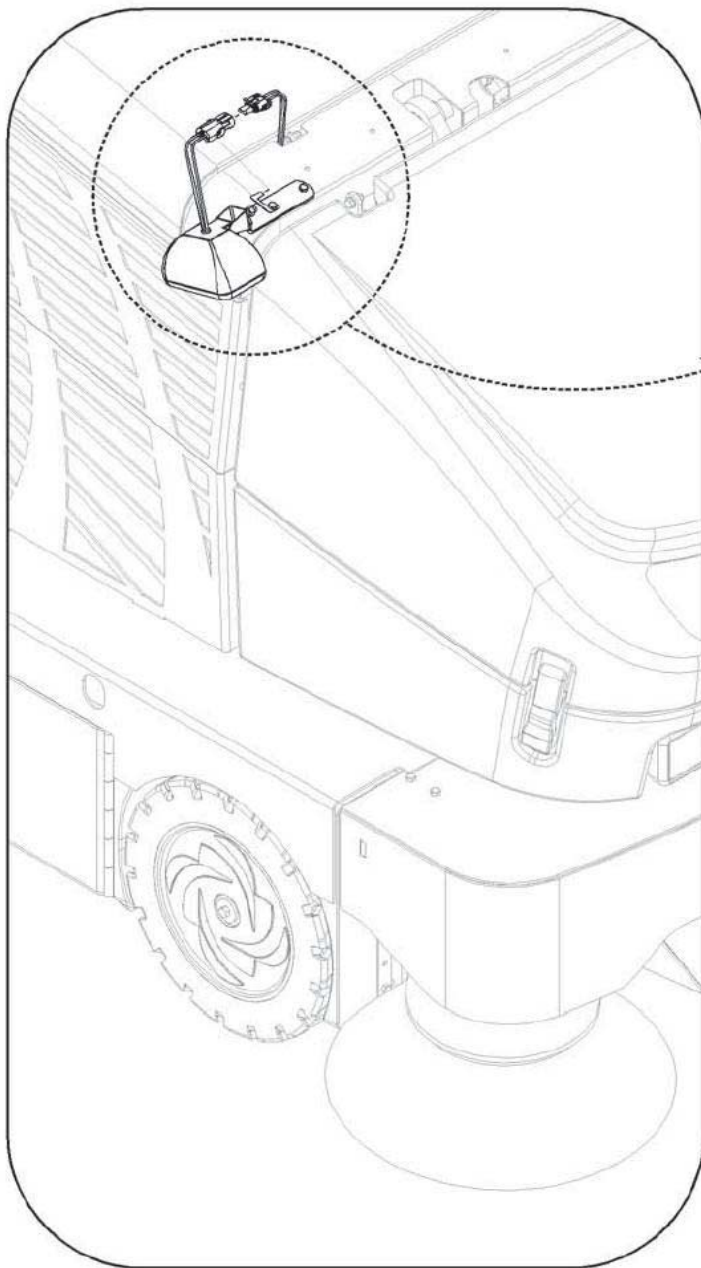
Curb Light Kit - Accessories

CR 1100B / 1200B

23-11-2012

Part List ID
E149115

120



Curb Light Kit - Accessories

CR 1100B / 1200B

23-11-2012

Part List ID

E149115

121

Pos	Part no.	Qty	Description
0	56305641	1	CURB LIGHT KIT
1	56009018	2	SCR HEX THD FORM 1/4 20X .75
2	56304768	1	LAMP 12V
3	56305648	1	BRACKET
4	56409769	1	CLIP WEATHER PACK

Fire extinguisher kit (Battery models) - Accessor

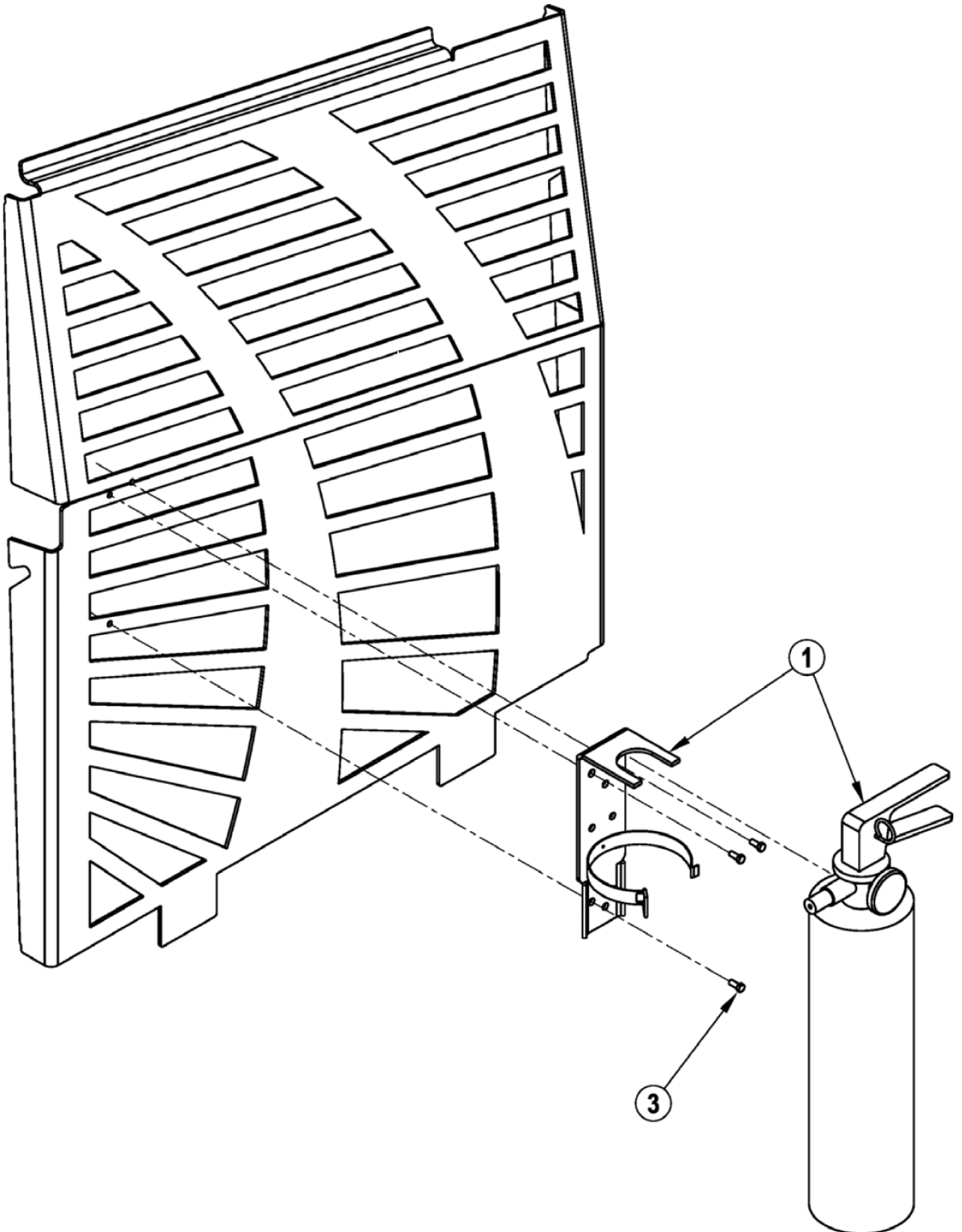
CR 1100B / 1200B

23-11-2012

Part List ID

E149119

122



Fire extinguisher kit (Battery models) - Accessorie

CR 1100B / 1200B

23-11-2012

Part List ID

E149119

123

Pos	Part no.	Qty	Description	
0	56303431	1	FIRE EXTINGUISHER KIT	Battery models
1	8-83-04033	1	FIRE EXTINGUISHER 2 1/2 POUND	Includes bracket
3	56009019	3	SCR HEX THD FORM 1/4 20X .38	

High Durability Rear Wheel - Accessories

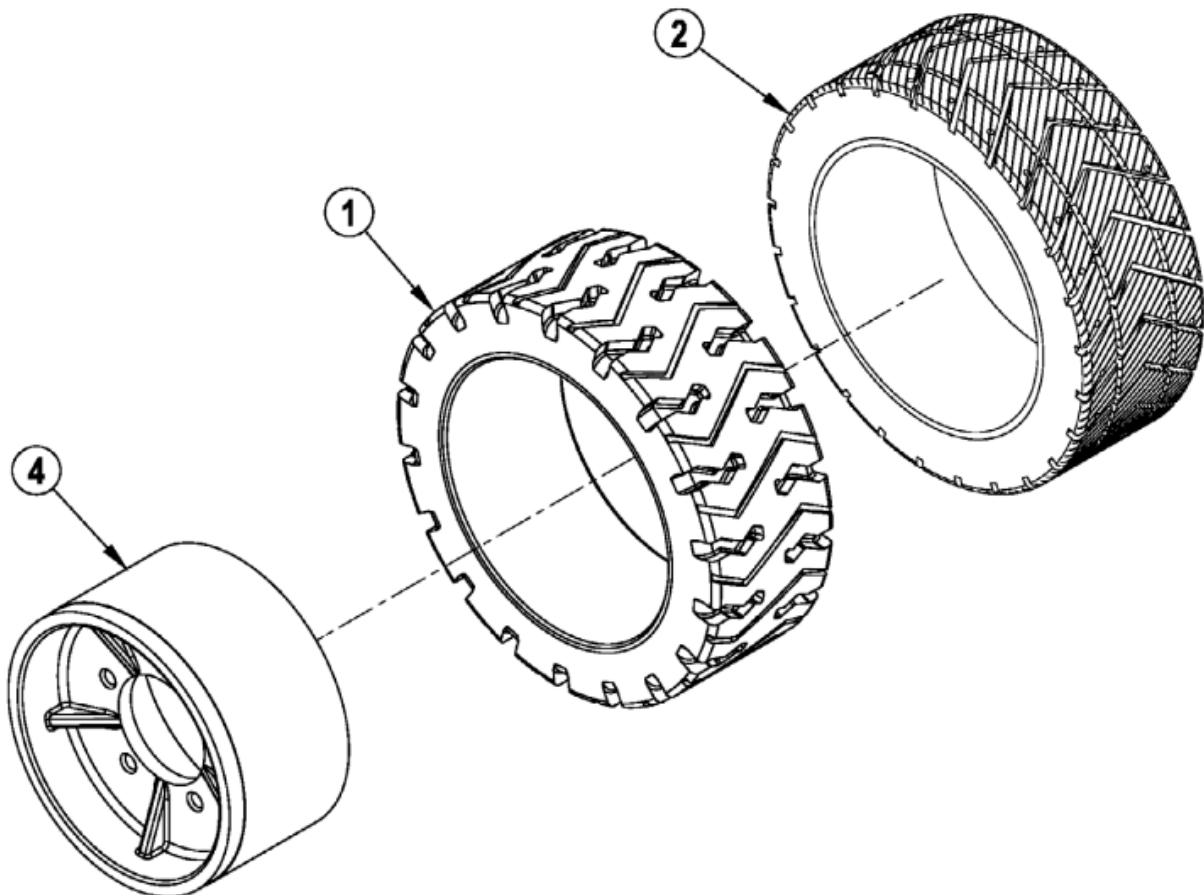
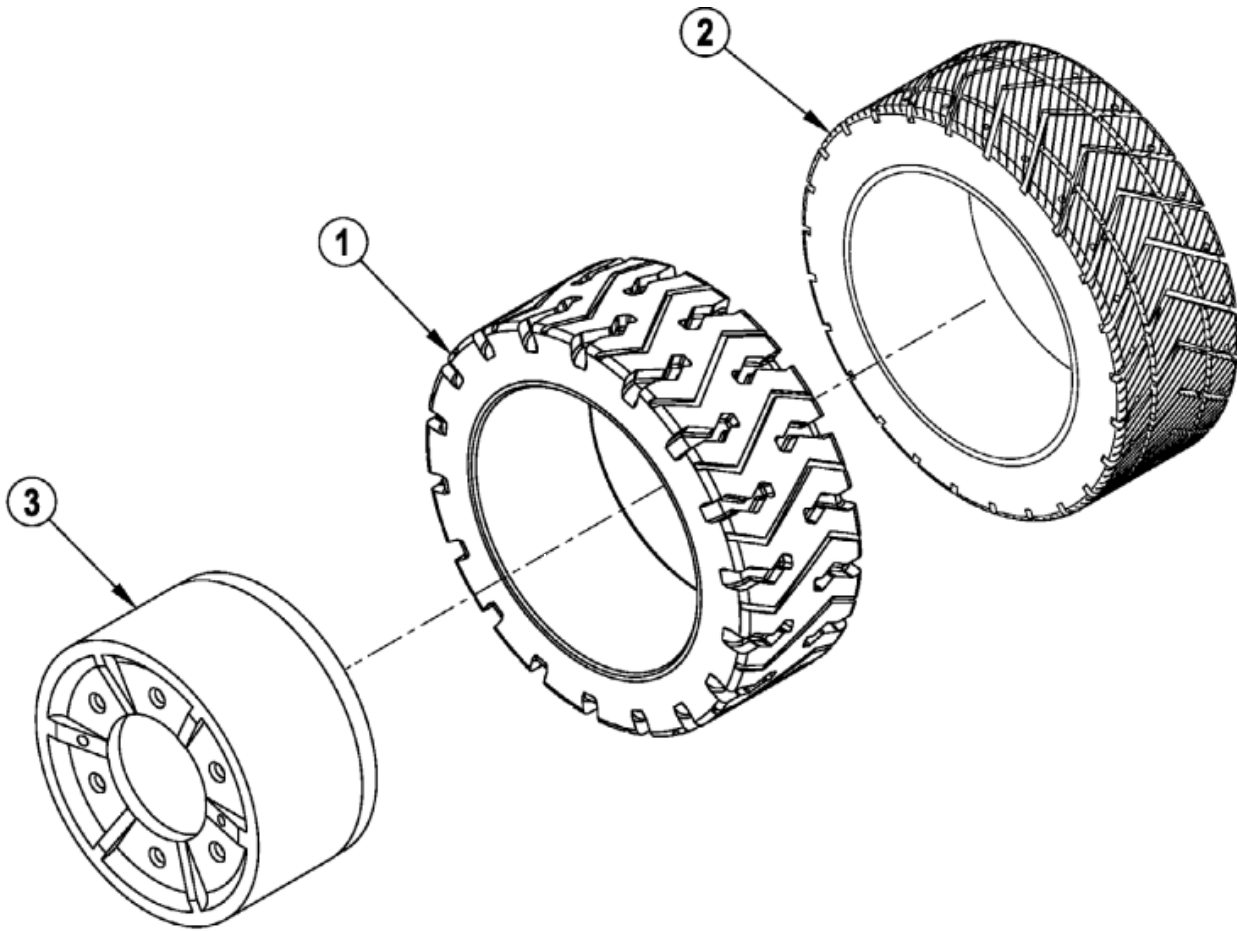
CR 1100B / 1200B

23-11-2012

Part List ID

E149121

124



High Durability Rear Wheel - Accessories

CR 1100B / 1200B

23-11-2012

Part List ID

E149121

125

Pos	Part no.	Qty	Description	
0	56303560	1	WHEEL ASSY 6 3XGROOVE BATTERY	BATTERY MODELS
0	56305996	1	TIRE 6 3X GROOVE	
0	56305997	1	WHEEL ASSY 6 3X GROOVE IC MDL	ENGINE MODELS
1	56304025	1	TIRE PRESS ON 16 1/4 X 6	
2	56304044	1	REAR WHEEL ASSEMBLY	ENGINE MODELS
3	56303028	1	REAR WHEEL ASSEMBLY	BATTERY MODELS
3	56304027	1	HUB REAR	
3	56306207	1	URETHANE WHEEL ASSY	ENGINE MODELS, TSBUS2009-1038
4	56303029	1	HUB REAR	
4	56303595	1	URETHANE WHEEL ASSY	BATTERY MODELS, TSBUS2009-1038

Hopper Filter Kit - Accessories

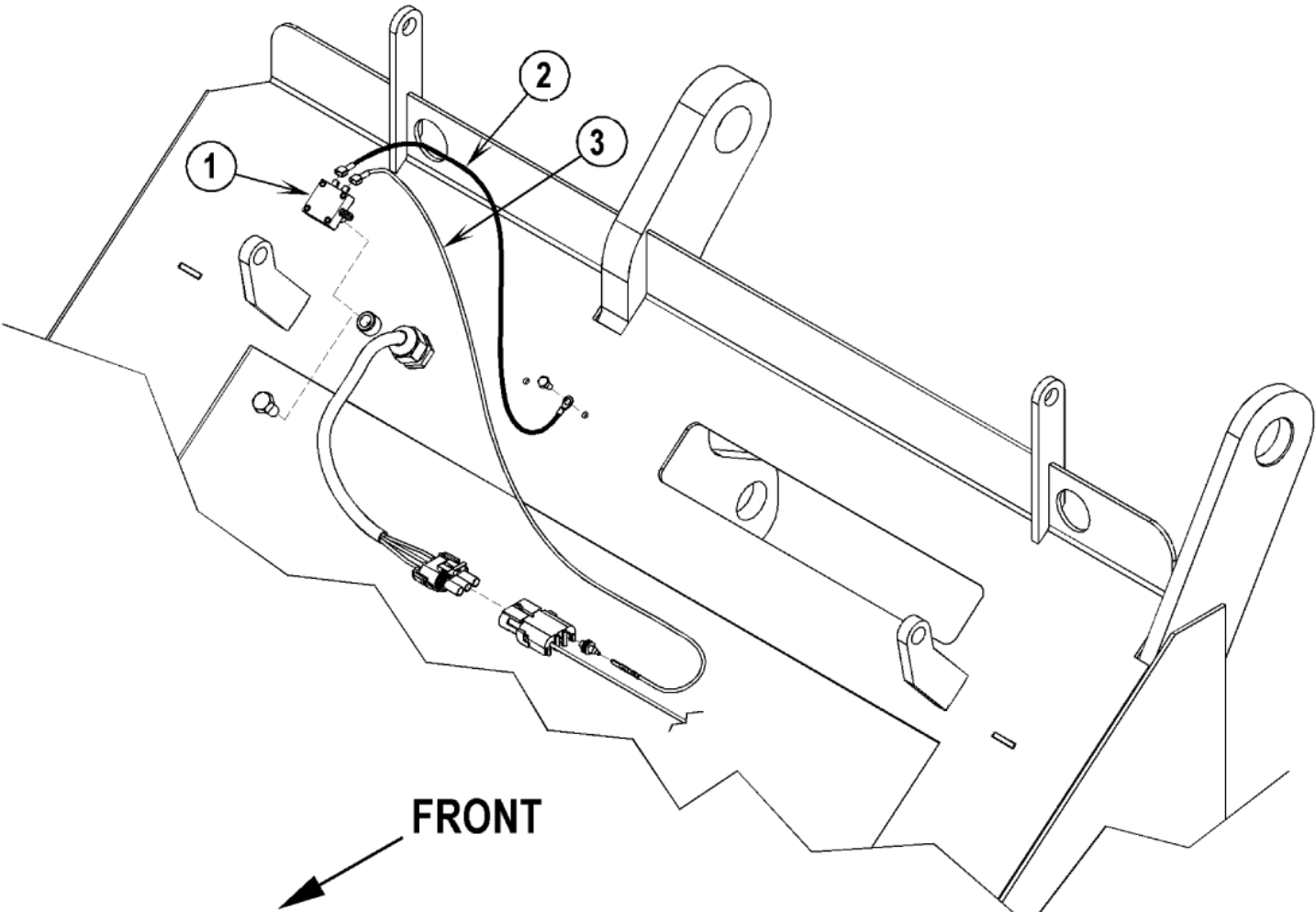
CR 1100B / 1200B

23-11-2012

Part List ID

E149122

126



Hopper Filter Kit - Accessories

CR 1100B / 1200B

23-11-2012

Part List ID

E149122

127

Pos	Part no.	Qty	Description
0	56305517	1	HOPPER FILTER SWITCH KIT
0	56478246	2	CABLE TIE E00549 RE438BA Not shown
1	56305518	1	SWITCH VACUUM
2	56305479	1	BLK 18 9 WIRE ASSEMBLY
3	56305478	1	WHT/GRA 18 2 WIRE ASSEMBLY

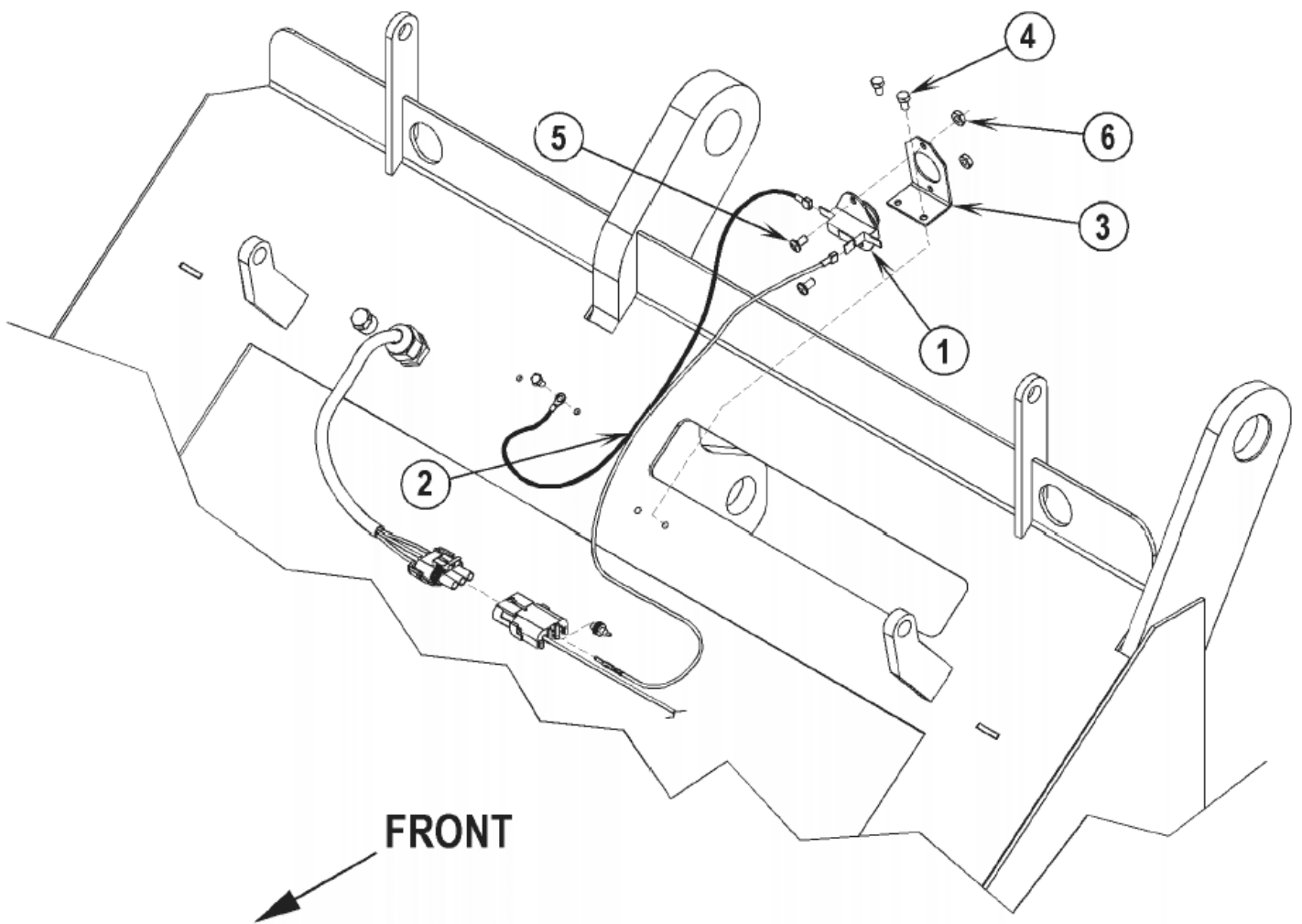
Temperature Switch Kit - Accessories

CR 1100B / 1200B

23-11-2012

Part List ID
E149123

128



Temperature Switch Kit - Accessories

CR 1100B / 1200B

23-11-2012

Part List ID

E149123

129

Pos	Part no.	Qty	Description
0	56305509	1	TEMPERATURE SWITCH KIT
1	56418405	1	SWITCH TEMPERATURE
2	56304760	1	HARNESS TEMPERATURE SWITCH
2	56478246	2	CABLE TIE E00549 RE438BA Not shown
3	56418440	1	BRACKET
4	56009012	2	SCR HEX THD FORM 10 24X.38
5	56001818	2	SCR PAN PHIL 8 32 X .38
6	56002877	2	NUT HEX NYL LOC SS 8 32

Overhead Guard kit - Accessories

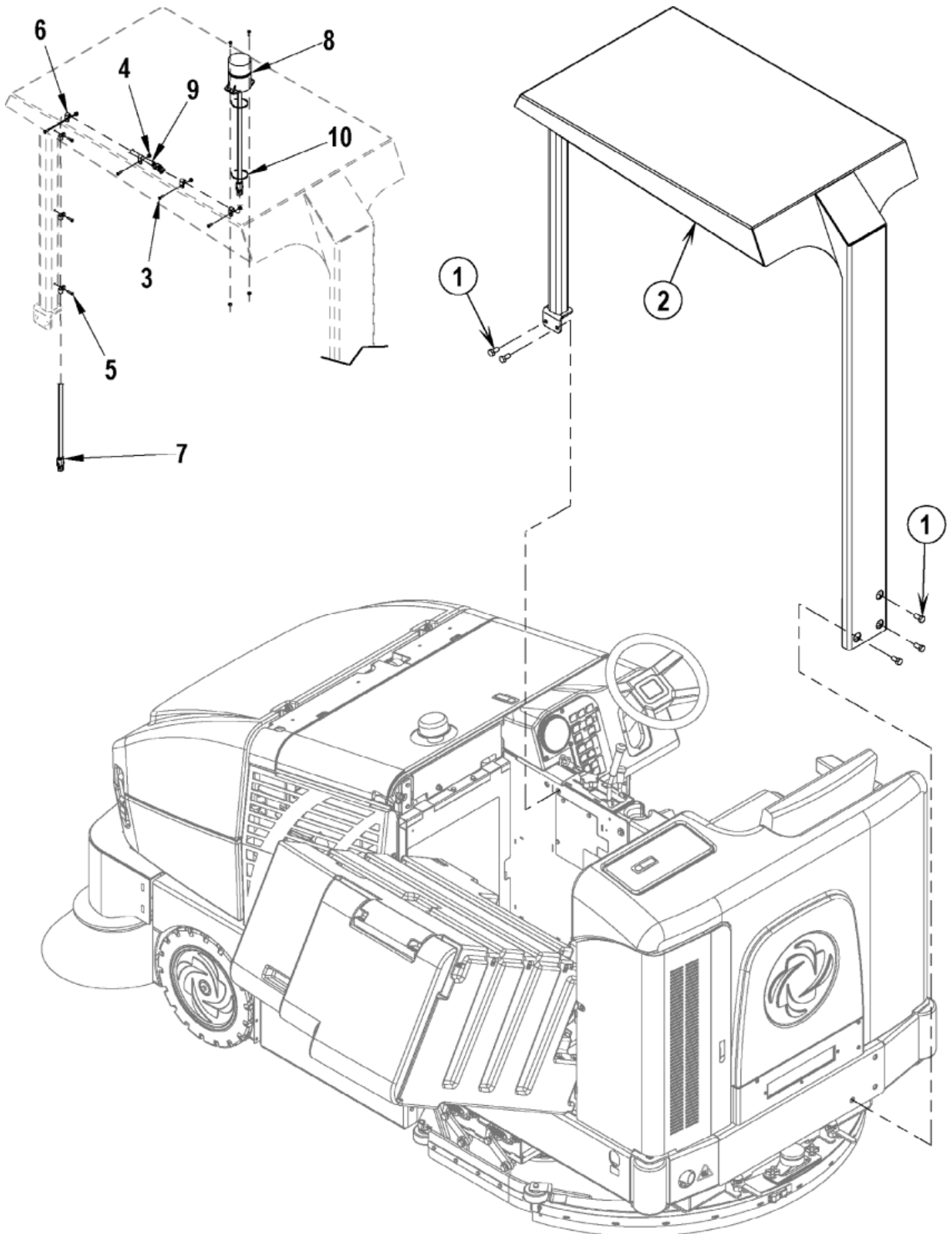
CR 1100B / 1200B

23-11-2012

Part List ID

E149125

130



Overhead Guard kit - Accessories

CR 1100B / 1200B

23-11-2012

Part List ID

E149125

131

Pos	Part no.	Qty	Description	
	56303573	1	OVERHEAD GUARD KIT	
	56303579	1	OH GUARD BEACON KIT	
	56305637	1	LOW CLEARANCE OH GUARD KIT	Low Clearance
1	56003083	5	SCR HEX LOC 1/2 13 X 1.00	Grade 5
2	56303574	1	GUARD WELDMENT	56303573
2	56305637	1	LOW CLEARANCE OH GUARD KIT	
2	56305687	1	TRIM EDGE	Pre-assembled to item 2 oval cutaout
2	56305705	2	TRIM EDGE	Pre-assembled to item 2
3	56002124	6	SCREW10 24 X .62 PNH PH	
4	56002768	6	NUT HEX NYL LOC 10 24	
5	56009043	3	SCR PAN PHIL THD FORM10 24X.75	
6	56172017	7	P CLIP E00129	
7	56307165	1	HARNESS BEACON	
8	56307166	1	BEACON ASSEMBLY	
9	56307171	1	CONDUIT	
10	56478246	2	CABLE TIE E00549 RE438BA	

Pre-Filter Grid kit - Accessories

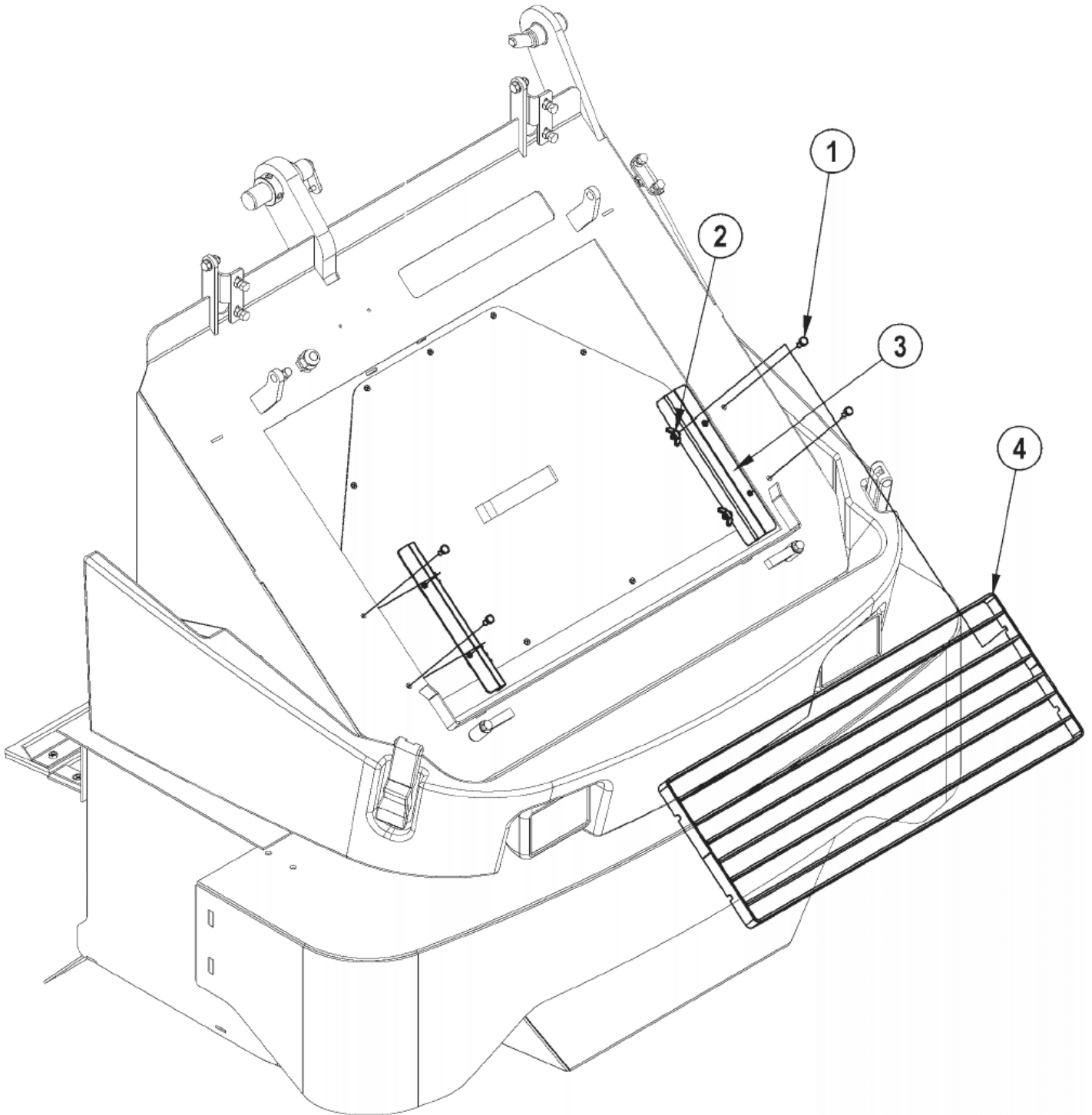
CR 1100B / 1200B

23-11-2012

Part List ID

E149127

132



Pre-Filter Grid kit - Accessories

CR 1100B / 1200B

23-11-2012

Part List ID

E149127

133

Pos	Part no.	Qty	Description
0	56305794	1	PRE FILTER GRID KIT
1	56003039	4	SCR HEX LOC 1/4 20 X .50
2	56009048	4	NUT WING LOC 1/4 20
3	56305875	2	BRACKET PREFILTER
4	56305887	1	GRID WELDMENT

Recovery inlet seal kit - Accessories

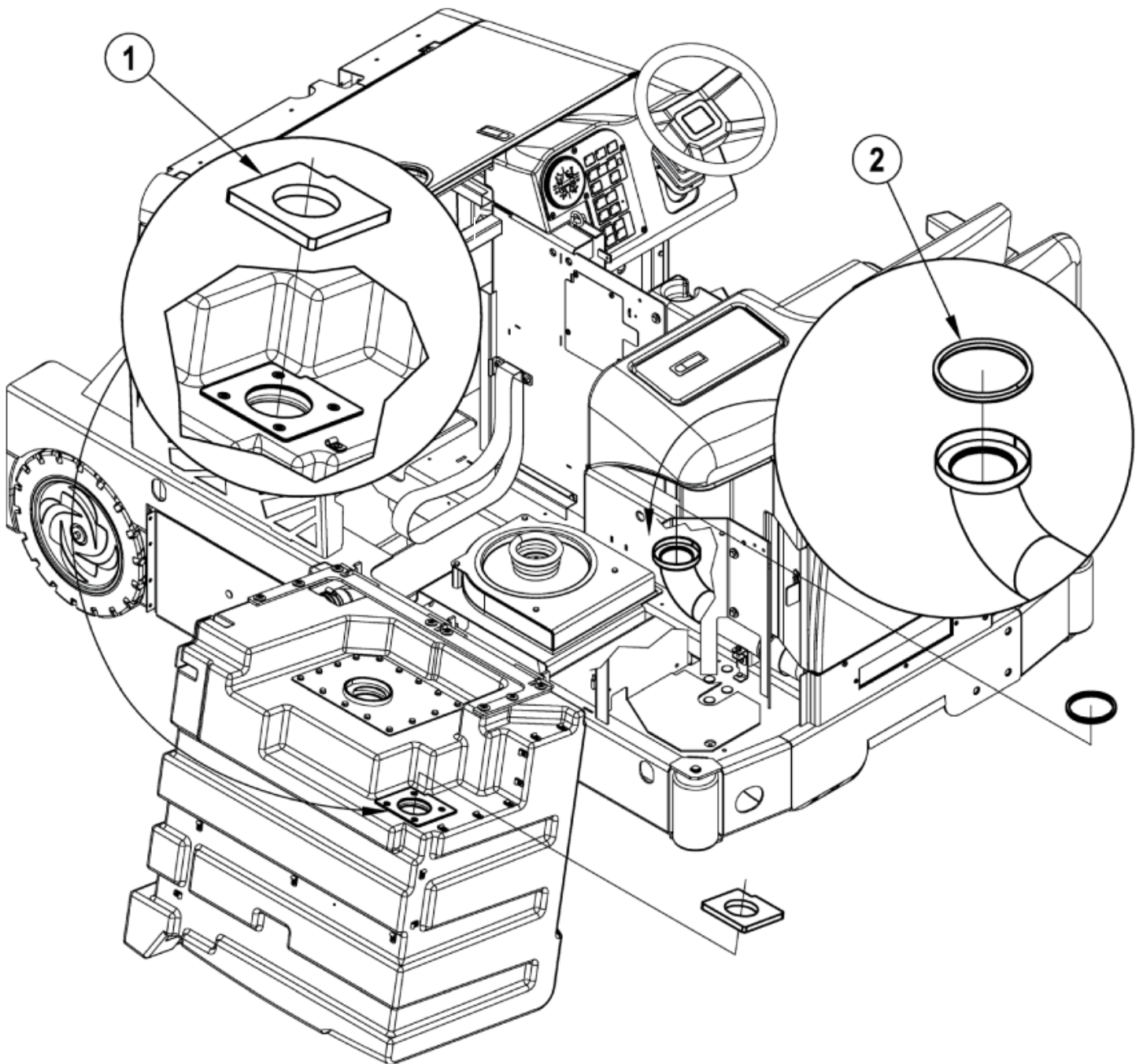
CR 1100B / 1200B

23-11-2012

Part List ID

E149129

134



Recovery inlet seal kit - Accessories

CR 1100B / 1200B

23-11-2012

Part List ID

E149129

135

Pos	Part no.	Qty	Description
	56307221	1	RECOVERY INLET SEAL KIT
1	56307219	1	GASKET FOAM
2	56307220	1	TRIM EDGE

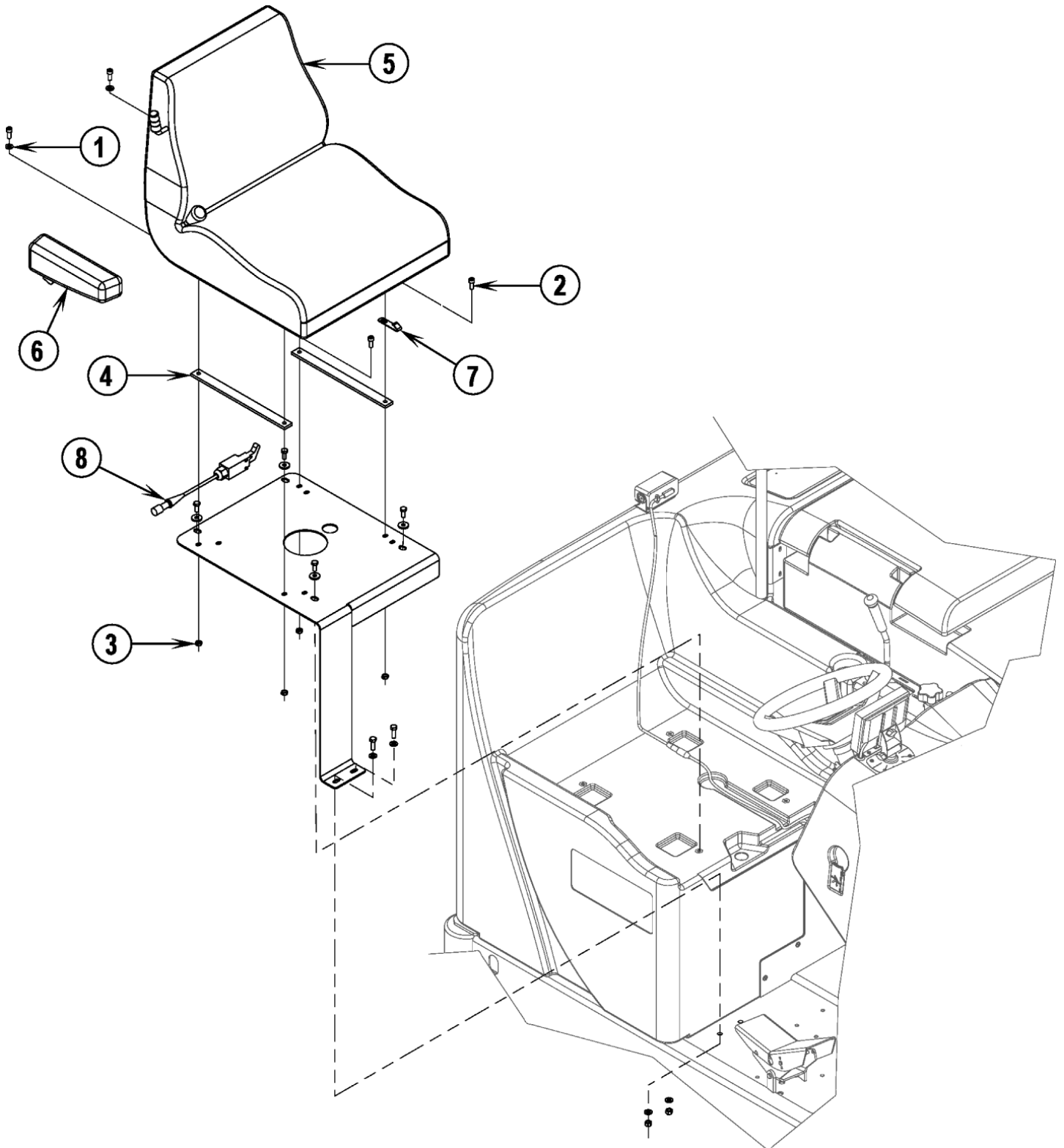
Seat kit, Battery models - Accessories

CR 1100B / 1200B

23-11-2012

Part List ID E149131

136



Seat kit, Battery models - Accessories

CR 1100B / 1200B

23-11-2012

Part List ID

E149131

137

Pos	Part no.	Qty	Description
	56303381	1	DELUXE SEAT KIT BATTERY
1	56001939	2	WSH FLT SAE 5/16
2	56001959	4	SCR SOC HD 5/16 18 X .75
3	56002826	4	NUT HEX NYL LOC THIN 5/16 18
4	56305191	2	SPACER SEAT
5	56305612	1	SEAT GRAMMER
6	56305613	1	ARMREST GRAMMER RH
7	56305934	1	SLIDE STOP SEAT
8	56303533	1	SWITCH GRAMMER SEAT

Seat belt kit - Accessories

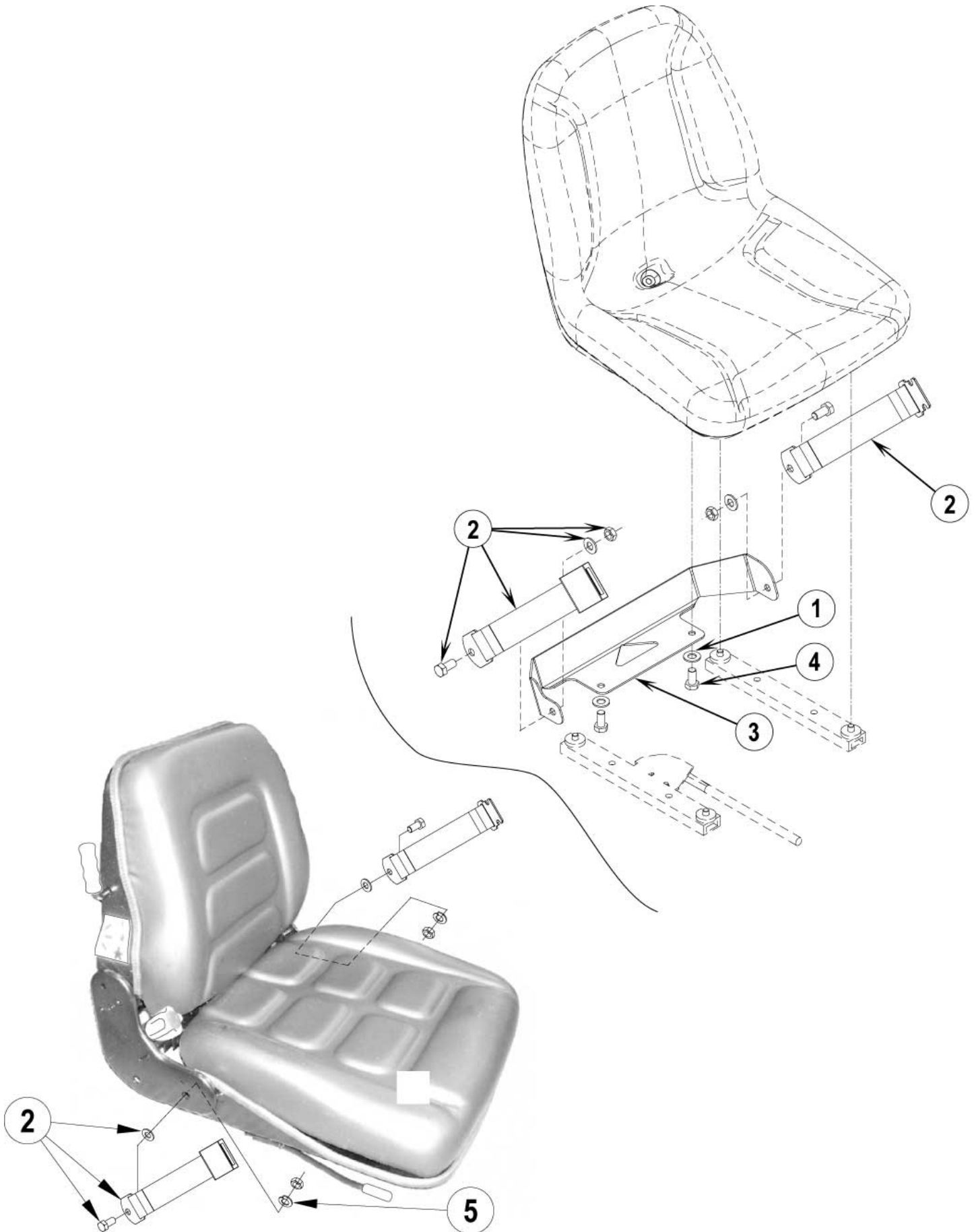
CR 1100B / 1200B

23-11-2012

Part List ID

E149132

138



Seat belt kit - Accessories

CR 1100B / 1200B

23-11-2012

Part List ID

E14913Z

139

Pos	Part no.	Qty	Description
	56109306	1	SEAT BELT KIT
1	56001939	2	WSH FLT SAE 5/16
2		1	NOTE COMMENT Seat Belt - Includes hardware - not available
3	56507886	1	BRACKET SEAT BELT MTG
4	56001862	2	SCR HEX 5/16 18 X .50
5	2-00-02312	2	LK WASHER 1/2 ID MED SEC ZN

Solution Fill Shutoff Kit (OBSOLETE) - Accessori

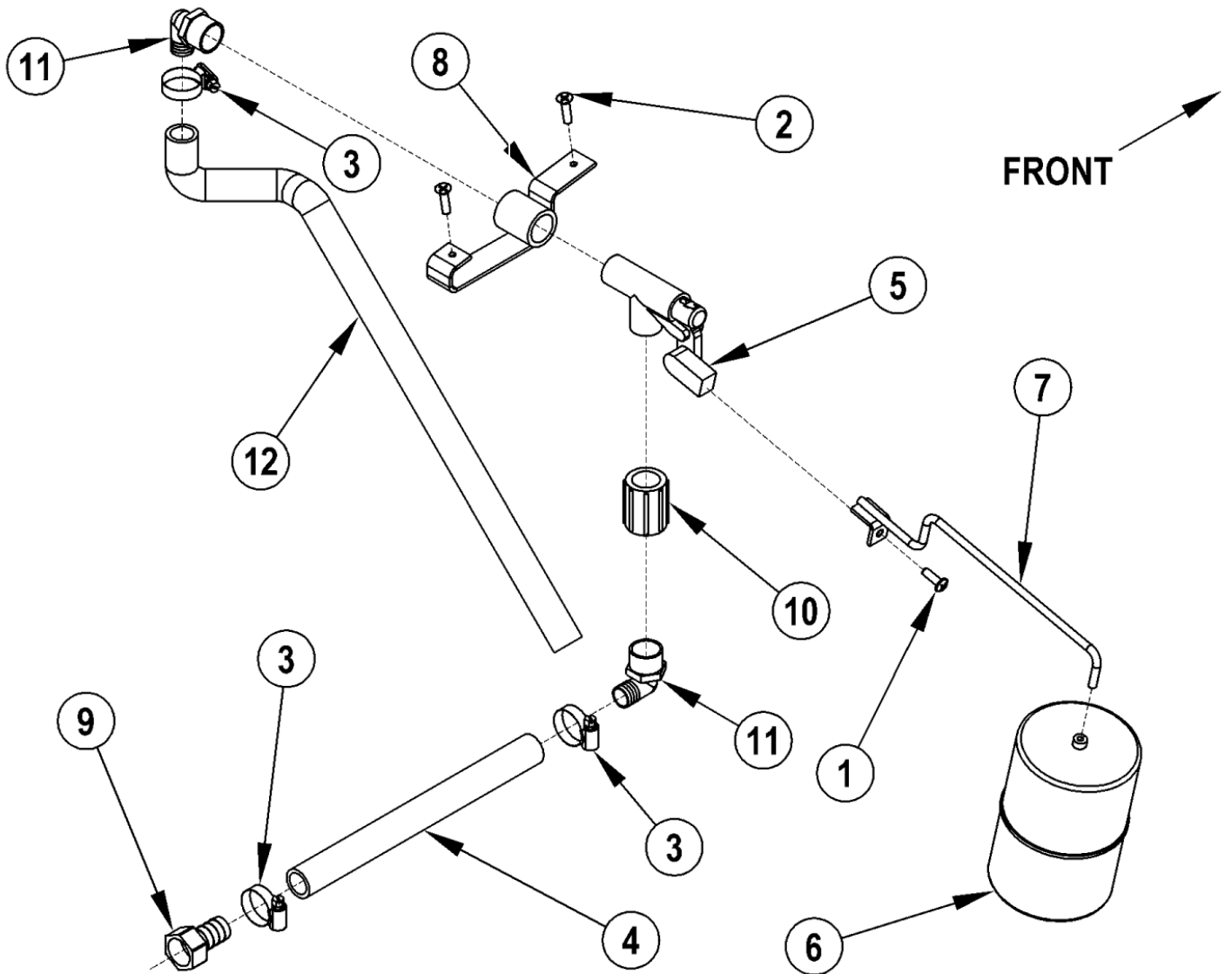
CR 1100B / 1200B

23-11-2012

Part List ID

E149133

140



Solution Fill Shutoff Kit (OBSOLETE) - Accessories

CR 1100B / 1200B

23-11-2012

Part List ID

E149133

141

Pos	Part no.	Qty	Description
1	56002957	1	SCR PAN PHIL SS 1/4 20 X .75
2	56009019	6	SCR HEX THD FORM 1/4 20X .38
3	56244969	3	CLAMP HOSE SAE 12 E00047
4	56305318	1	HOSE 10.5 SPIRAL E00605
5	56305566	1	VALVE FLOAT
7	56305586	1	FLOAT ARM WELDMENT
9	56305599	1	FITTING GH TO BARB
10	56305636	1	COUPLING 3/4 NPT PVC
11	56456802	2	ELBOW 3/4 X 3/4 E00037
12	56459674	1	HOSE SPIRAL E00605

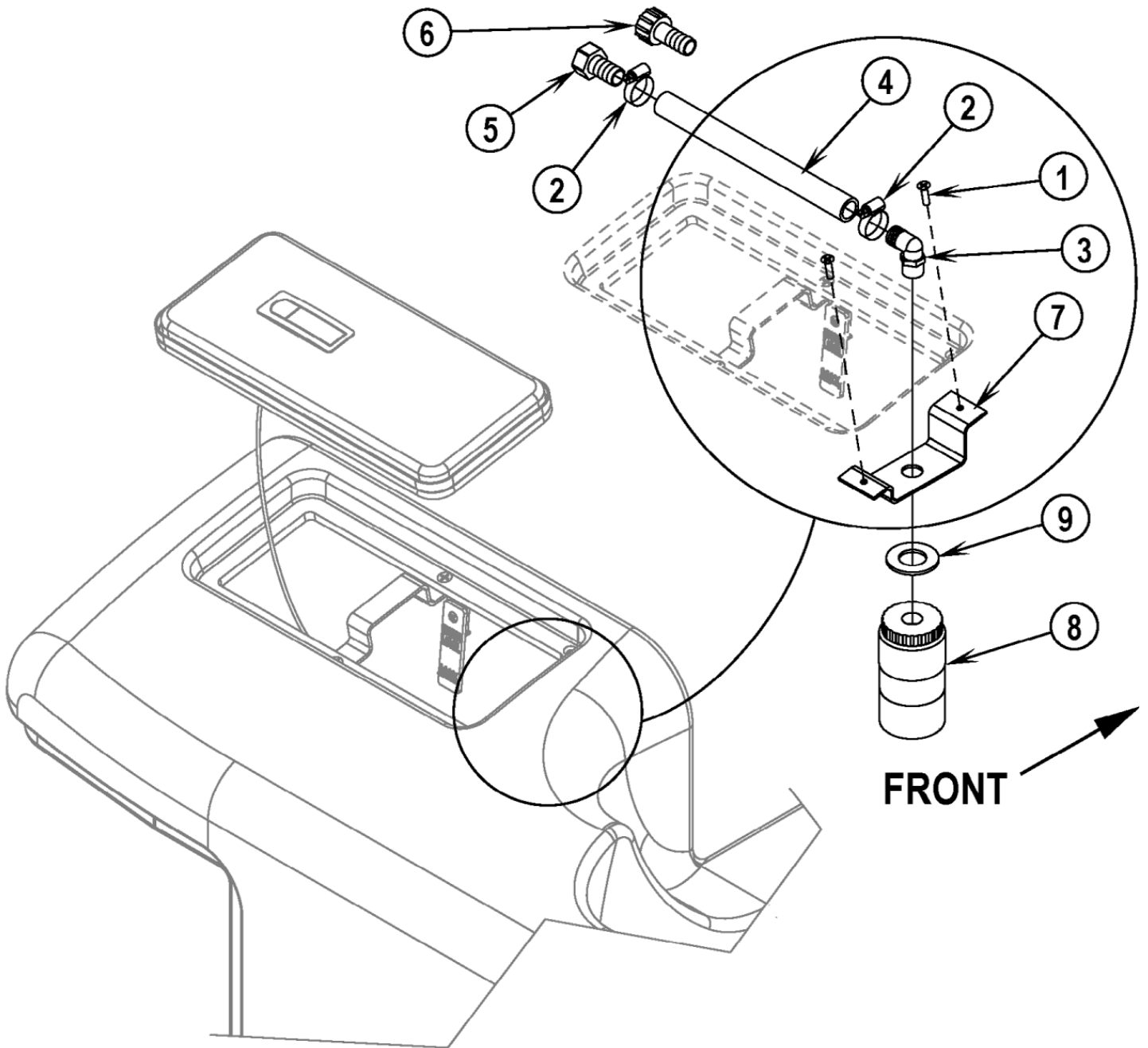
Solution Fill Shutoff Kit - Accessories

CR 1100B / 1200B

23-11-2012

Part List ID
E149134

142



Solution Fill Shutoff Kit - Accessories

CR 1100B / 1200B

23-11-2012

Part List ID

E149134

143

Pos	Part no.	Qty	Description
0	56305896	1	SOLUTION FULL SHUTOFF KIT
1	56003074	2	SCR FLT PHIL SS 1/4 20X1.00
2	56244969	2	CLAMP HOSE SAE 12 E00047
3	56244985	1	BARB 3/4X1/2X90 NYLFC433M
4	56305318	1	HOSE 10.5 SPIRAL E00605
6	56305835	1	BARB FEMALE SWIV3/4 14GASX19MM European
7	56305888	1	BRACKET
8	56314210	1	VALVE AUTOFILL
9	2-00-05239	1	WSHR FLAT 2.000X1.063X.125 SST

Solution Fill Shutoff Kit (60 Gallon) - Accessor

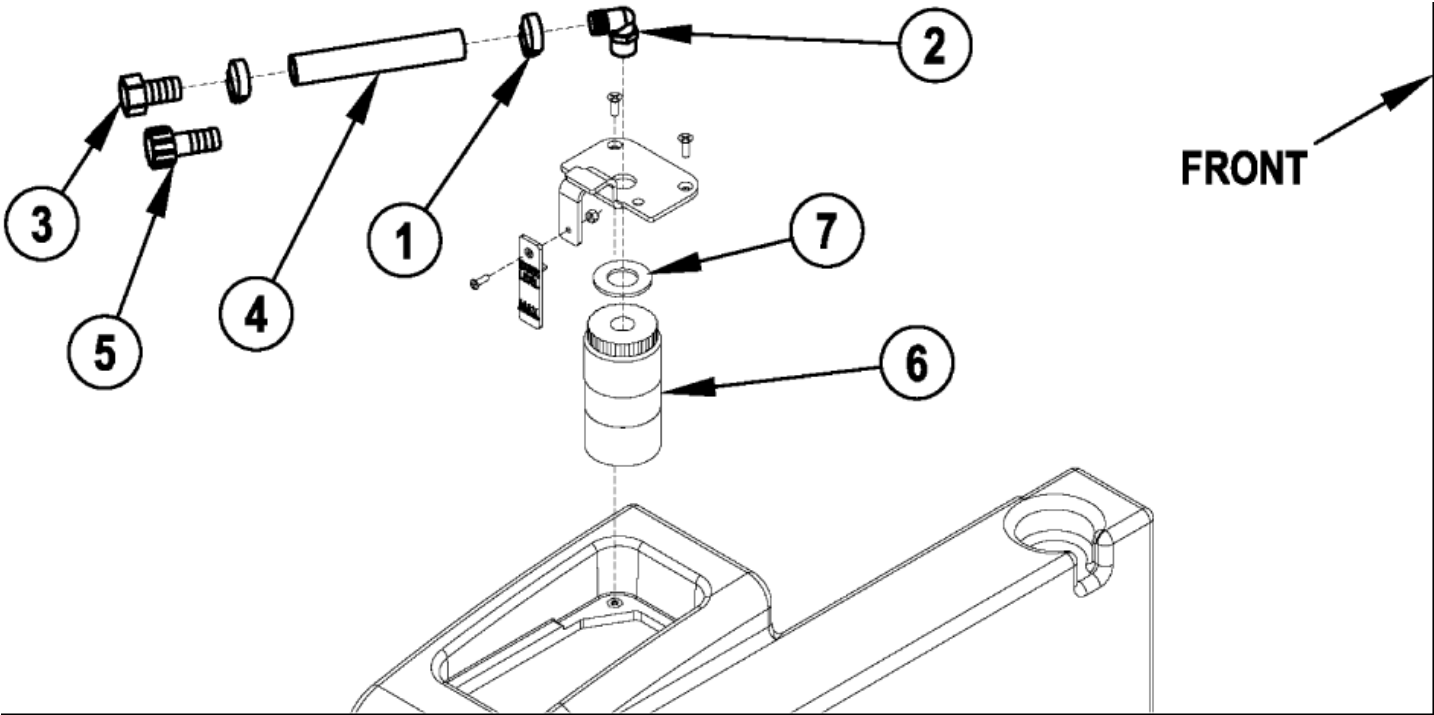
CR 1100B / 1200B

23-11-2012

Part List ID

E149135

144



Solution Fill Shutoff Kit (60 Gallon) - Accessorie

CR 1100B / 1200B

23-11-2012

Part List ID

E149135

145

Pos	Part no.	Qty	Description
0	56305820	1	SOLUTION FILL SHUTOFF KIT 60
1	56244969	2	CLAMP HOSE SAE 12 E00047
2	56244985	1	BARB 3/4X1/2X90 NYLFC433M
4	56305762	1	HOSE SPIRAL E00605
5	56305835	1	BARB FEMALE SWIV3/4 14GASX19MM European
6	56314210	1	VALVE AUTOFILL
7	2-00-05239	1	WSHR FLAT 2.000X1.063X.125 SST

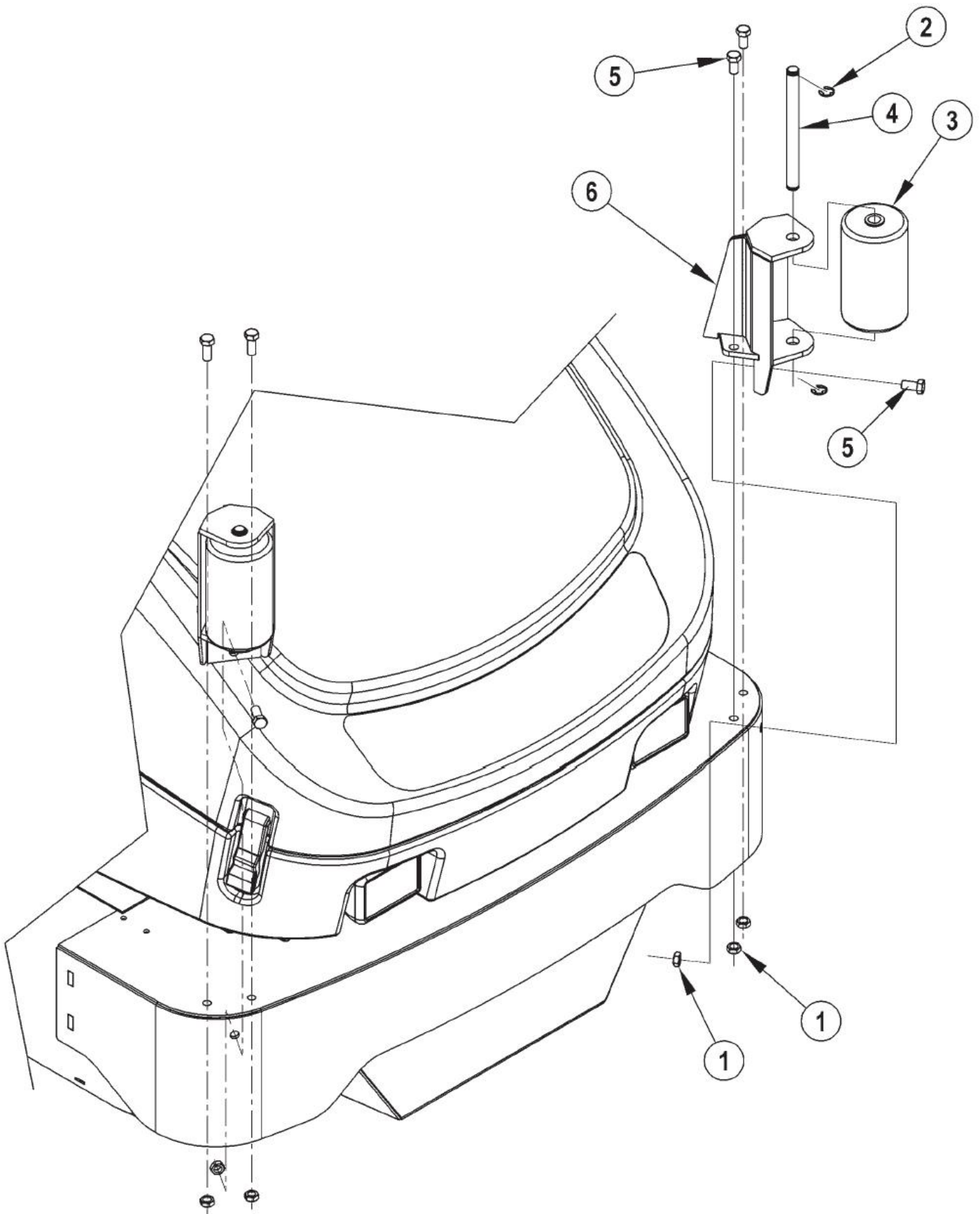
Tower Bumper kit - Accessories

CR 1100B / 1200B

23-11-2012

Part List ID
E149137

146



Tower Bumper kit - Accessories

CR 1100B / 1200B

23-11-2012

Part List ID

E149137

147

Pos	Part no.	Qty	Description
0	56305493	1	TOWER BUMPER KIT
1	56002843	6	NUT HEX NYL LOC THIN 1/2 13
2	56003266	4	RING RET EXT TYPE E
3	56409335	2	BUMPER ROLLER
4	56409336	2	PIN
5	56001895	6	SCR HEX 1/2 13 X 1.00
6	56305332	2	ROLLER BUMPER BRACKET WELDMENT

Under hood light kits - Accessories

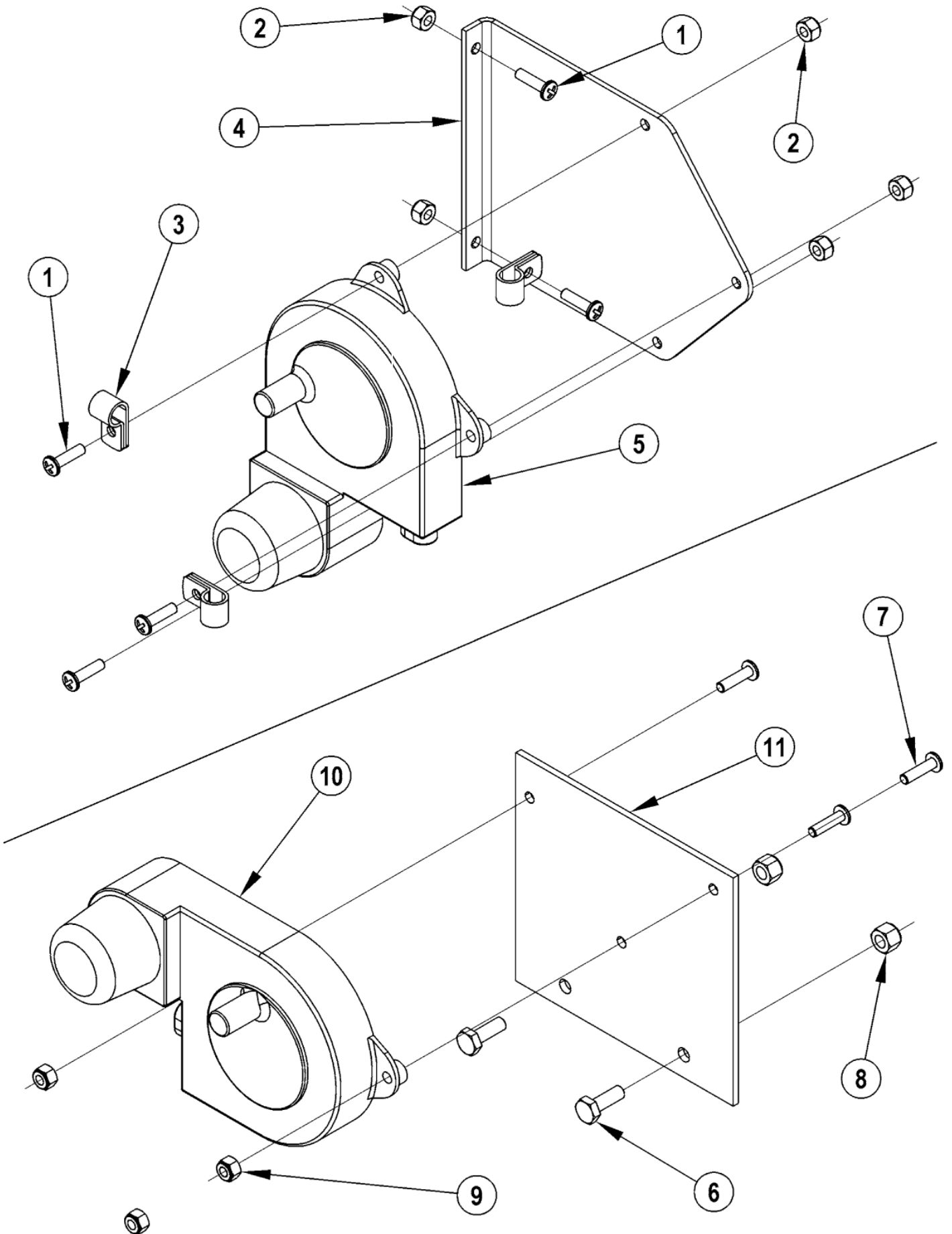
CR 1100B / 1200B

23-11-2012

Part List ID

E149139

148



Under hood light kits - Accessories

CR 1100B / 1200B

23-11-2012

Part List ID

E149139

149

Pos	Part no.	Qty	Description
0	56303362	1	TROUBLE LAMP KIT POS 6-11, BATTERY MODELS
1	56002192	5	SCR PAN PHIL 10 24 X .75
2	56002768	5	NUT HEX NYL LOC 10 24
3	56172017	3	P CLIP E00129
4	56305626	1	BRACKET LIGHT MOUNT
5	56305627	1	TROUBLE LAMP
6	56002155	2	SCR HEX 1/4 20 X .75
7	56002192	3	SCR PAN PHIL 10 24 X .75
8	56002708	2	NUT HEX NYL LOC 1/4 20
9	56002768	3	NUT HEX NYL LOC 10 24
10	56303354	1	TROUBLE LAMP 36V
11	56303361	1	BRACKET TROUBLE LAMP

Vacuum Wand Kit - Accessories

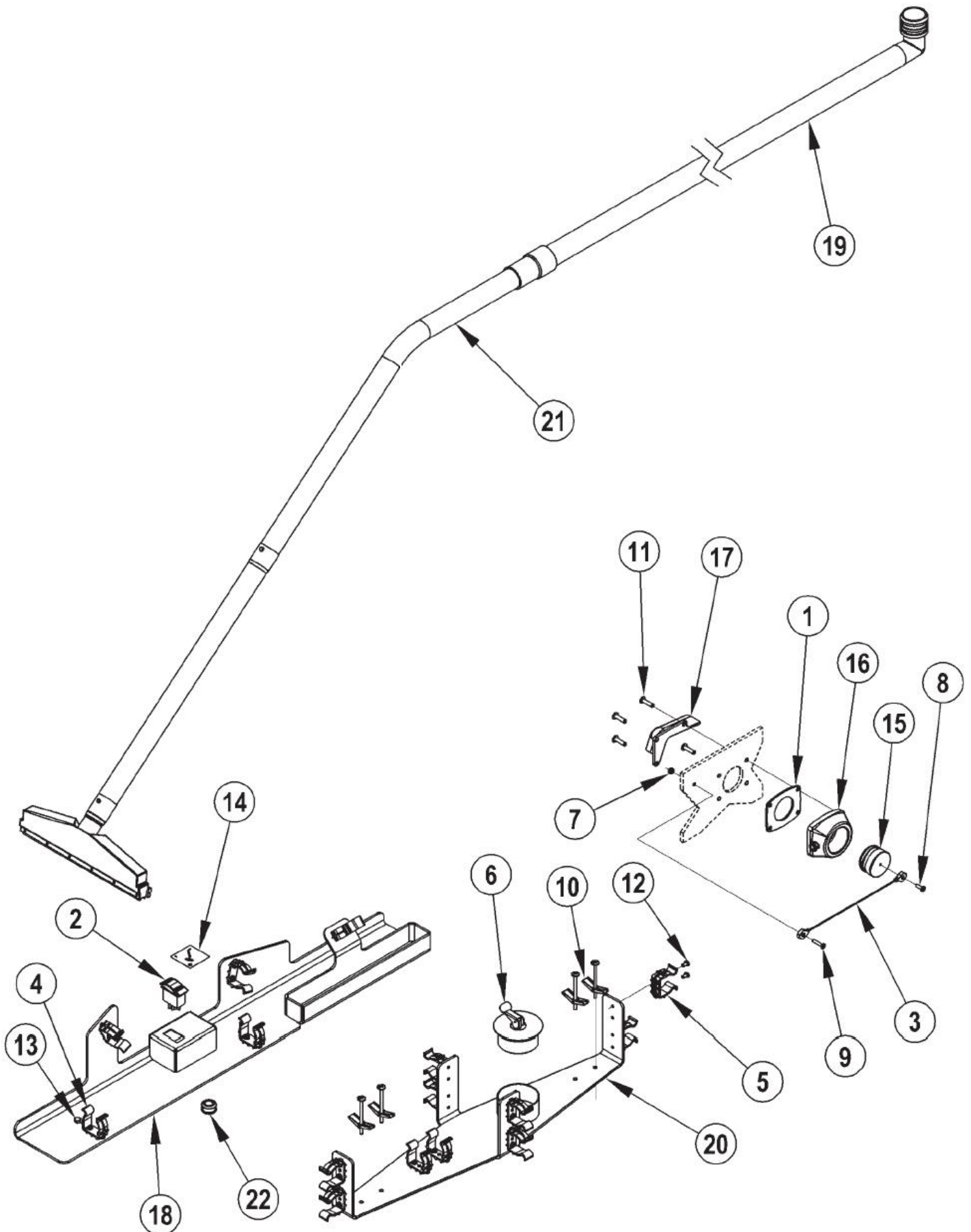
CR 1100B / 1200B

23-11-2012

Part List ID

E149141

150



Vacuum Wand Kit - Accessories

CR 1100B / 1200B

23-11-2012

Part List ID
E149141

151

Pos	Part no.	Qty	Description
0	56305530	1	VACUUM WAND KIT
1	56201390	1	GASKET HP29G 1
2	56209321	1	SWITCH ROCKER
3	56325240	1	WIRE ROPE ASSY 10.0HC366C
4	56392171	5	CLAMP PLASTIC
5	56407361	10	CLAMP PLASTIC
6	56462703	1	PLUG EXPANSION DRAI
7	56002849	1	NUT HEX NYL LOC THIN SS 10 24
8	56002896	1	SCR PAN PHIL SS 10 24 X .62
9	56002917	1	SCR FLT PHIL SS 10 24 X 1.00
10	56003676	4	BOLT TOGGLE .25 X 3.00
11	56009006	4	SCR PAN PHIL SS TYPE AB 10 16X
12	56009030	30	SCR PAN PHIL THD FOM 10 24X 38
13	56009033	2	SCR HEX THD FORM 1/4 20X.50
14	56015253	1	DECAL WAND
15	56456078	1	PLUG
16	56205821	1	CONNECTOR ASSEMBLY
17	56205829	1	DEFLECTOR
18	56305529	1	WAND MOUNT WELDMENT
19	56305539	1	HOSE ASSEMBLY
20	56305540	1	HOSE MOUNT WELDMENT
21	56305605	1	WAND ASSEMBLY
22	56453254	1	GROMMET E00059

Chemical injection kit-12VDC (control box assy)

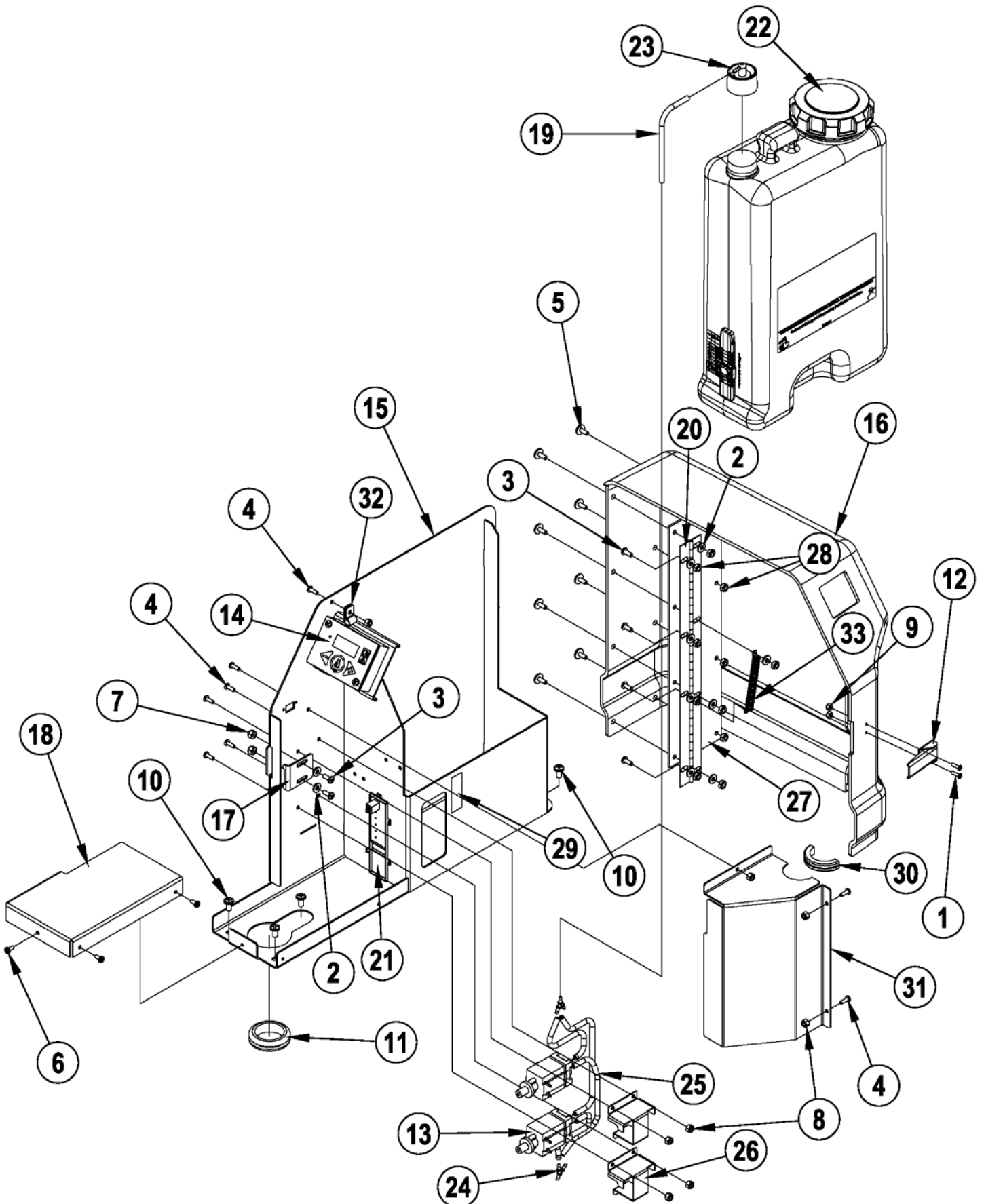
CR 1100B / 1200B

23-11-2012

Part List ID

E149143

152



Chemical injection kit-12VDC (control box assy) -

CR 1100B / 1200B

23-11-2012

Part List ID E149143

153

Pos	Part no.	Qty	Description	
	56306125	1	CONTROL BOX ASSY 12 VDC	
1	56001830	2	SCR PAN PHIL 6 32 X .50	
2	56001954	10	WSH FLT SAE 10	
3	56001993	6	SCREW 10 24 X 0.5 ZINC PL	
4	56002003	8	SCR PAN PHIL 8 32 X .50	
5	56009100	8	SCR PANPHILTHD BLK 10 24X.62	
6	56002523	3	SCR PAN HD PHIL HP5 8 32 X .38	
7	56002768	2	NUT HEX NYL LOC 10 24	
8	56002808	8	NUT HEX NYL LOC 8 32	
9	56002830	2	NUT HEX NYL LOC 6 32	
10	56009033	5	SCR HEX THD FORM 1/4 20X.50	
11	56054715	1	GROMMET E00059	
12	56109591	1	LATCH	NOTE 1
13	56110742	2	PUMP DETERGENT 12V	
14	56111400	1	AXP CONTROL ASSY	
15	56306124	1	BOX WELDMENT CHEMICAL	
16	56306133	1	COVER CHEMICAL INJECTION	
17	56306147	1	CATCH	
18	56306148	1	COVER	
19	56306169	1	HOSE CHEM RESISTANT 17.00	
20	56306181	1	HINGE	
21	56315340	1	CHEMICAL SENSOR ASSEMBLY	
22	56315517	1	CAP	NOT SHOWN
22	56315690	1	CAP 38MM BUTTRESS	NOT SHOWN
22	56413119	1	BOTTLE CHEMICAL ASM	NOT SHOWN
22	56413784	1	INSERT DRY BREAK	NOT SHOWN
22	56413999	1	CHEM BOTTLE ASSY AXP	
23	56315523	1	CAP DRY BREAK 1/8 BARB	
24	56413691	2	FITTING Y BARB	
25	56413693	4	HOSE CHEMICAL RESISTANT 5.00	
26	56413775	2	BRACKET PUMP MOUNT	
27	56306191	1	PLATE REINFORCING	
28	56002832	12	NUT HEX NYL LOC THIN 10 24	
29	56016331	1	DECAL CHEMICAL RATIO	
30	56344621	1	GROMMET 1.500 E00059	
31	56306198	1	PUMP COVER	
32	56300152	1	CLAMP CORD E00129	
33	56397301	1	HOSE PVC E00552	
33	56478246	1	CABLE TIE E00549 RE438BA	NOT SHOWN
100	56306125	1	CONTROL BOX ASSY 12 VDC	NOT SHOWN
101	56306149	1	PUMP ASSY 12 VDC	NOT SHOWN
103	56306166	1	HARNESS IC CAPTOR AXP	NOT SHOWN

NOTE 1: Latch 56109591 is the replacement for Latch 56054856. To replace a 56054856 Latch; remove the old latch, line up the new latch 56109591 with the catch, use the latch as a template to mark and drill the new mounting holes, assemble the new latch with the existing mounting hardware.

Chemical injection kit-12VDC (control box assy) -

CR 1100B / 1200B

23-11-2012

Part List ID
E149143

154

Pos	Part no.	Qty	Description	
104	56418387	1	RELAY SPDT	K6 - NOT SHOWN
105	56387316	1	CIRCUIT BREAKER 10A	F8 - NOT SHOWN
106	56459367	1	BOOT RESET BUTTON E00585	NOT SHOWN
107	56009063	1	SCR HEX THD FORM 10 24X .25	NOT SHOWN
108	56459825	1	BUSHING REDUCER E00148	NOT SHOWN
109	56306179	2	DECAL CR1200 EDS	NOT SHOWN
110	56306180	2	DECAL CR1400 EDS	NOT SHOWN

NOTE 1: Latch 56109591 is the replacement for Latch 56054856. To replace a 56054856 Latch; remove the old latch, line up the new latch 56109591 with the catch, use the latch as a template to mark and drill the new mounting holes, assemble the new latch with the existing mounting hardware.

Chemical injection kit-12VDC (pump assy) - Acce

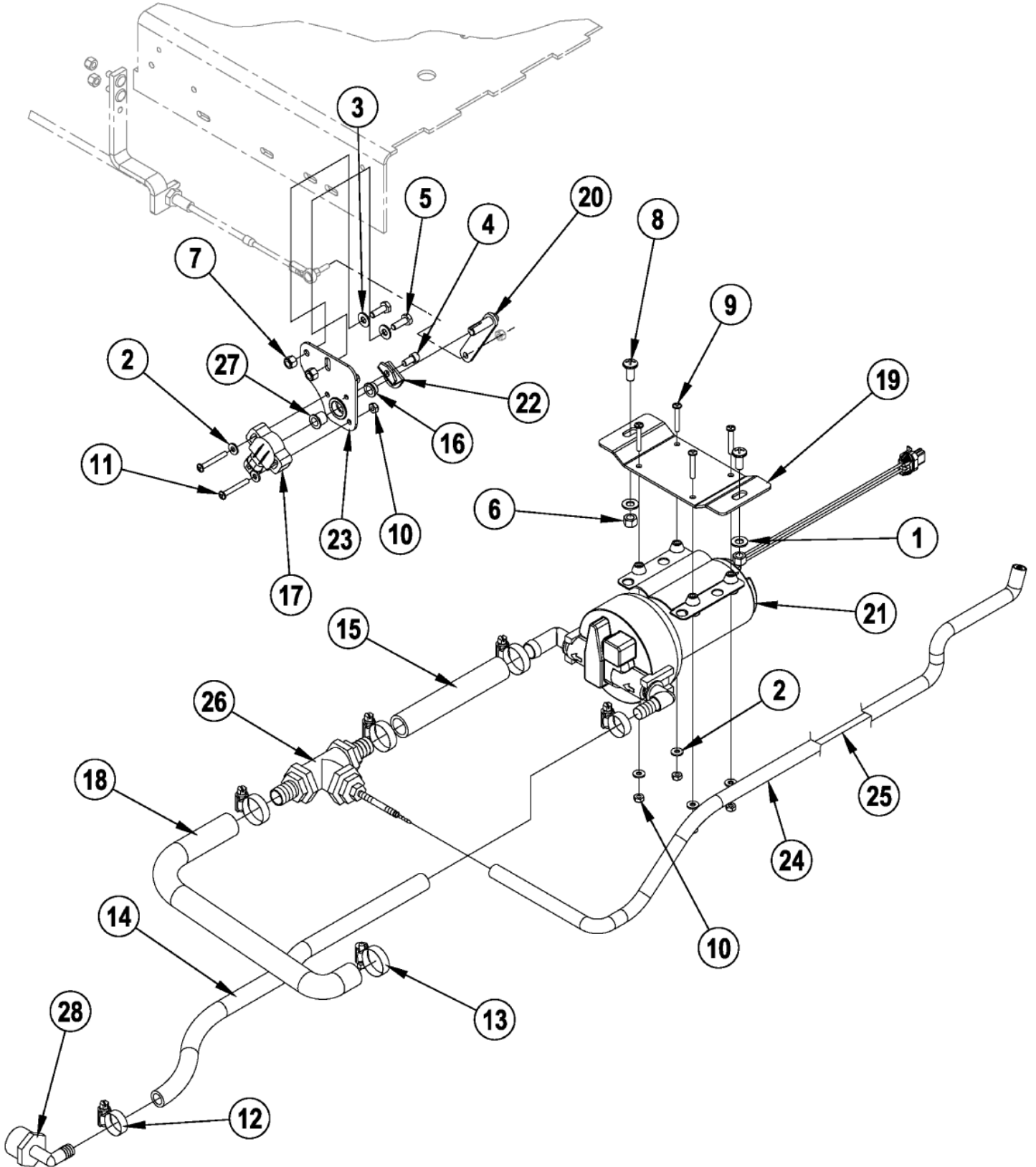
CR 1100B / 1200B

23-11-2012

Part List ID

E149145

155



Chemical injection kit-12VDC (pump assy) - Accesso

CR 1100B / 1200B

23-11-2012

Part List ID

E149145

156

Pos	Part no.	Qty	Description
	56306149	1	PUMP ASSY 12 VDC
1	56001939	2	WSH FLT SAE 5/16
2	56001954	6	WSH FLT SAE 10
3	56002098	2	WSH FLT SAE 1/4
4	56002115	1	SCR SOC HD 1/4 20 X .50
5	56002155	2	SCR HEX 1/4 20 X .75
6	56002701	2	NUT HEX NYL LOC 5/16 18
7	56002708	2	NUT HEX NYL LOC 1/4 20
8	56002793	2	SCR PAN PHIL 5/16 18 X .75
9	56002824	4	SCR PAN PHIL 10 24X1.25
10	56002832	6	NUT HEX NYL LOC THIN 10 24
11	56003574	2	SCR PAN PHIL SS 10 24X1.50
12	56219932	2	CLAMP HOSE SAE 6 E00047
13	56244969	4	CLAMP HOSE SAE 12 E00047
14	56412277	1	SOLUTION HOSE E00604
15	56305762	1	HOSE SPIRAL E00605
16	56303285	1	BEARING FL .500X.375X.250
17	56303313	1	ROTARY SENSOR NO SPRING (R4)
18	56305591	1	HOSE SPIRAL .750 E00605
19	56306122	1	MOUNT PUMP
20	56306129	1	CONTROL ARM WELDT
21	56306140	1	PUMP ASSY 12 DVC 60 PSI (M6)
22	56306162	1	BRACKET PIVOT
23	56306165	1	PIVOT SENSOR WELT
24	56306168	1	CONDUIT SOLUTION HOSE 44LG
25	56314942	1	HOSE CHEM RESISTANT
26	56306194	1	TEE ASSEMBLY
27	56508737	1	BEARING FL .500 X .375 X .500
28	56900245	1	BARB ELBOW E00037

Chemical injection kit-36VDC (control box assy)

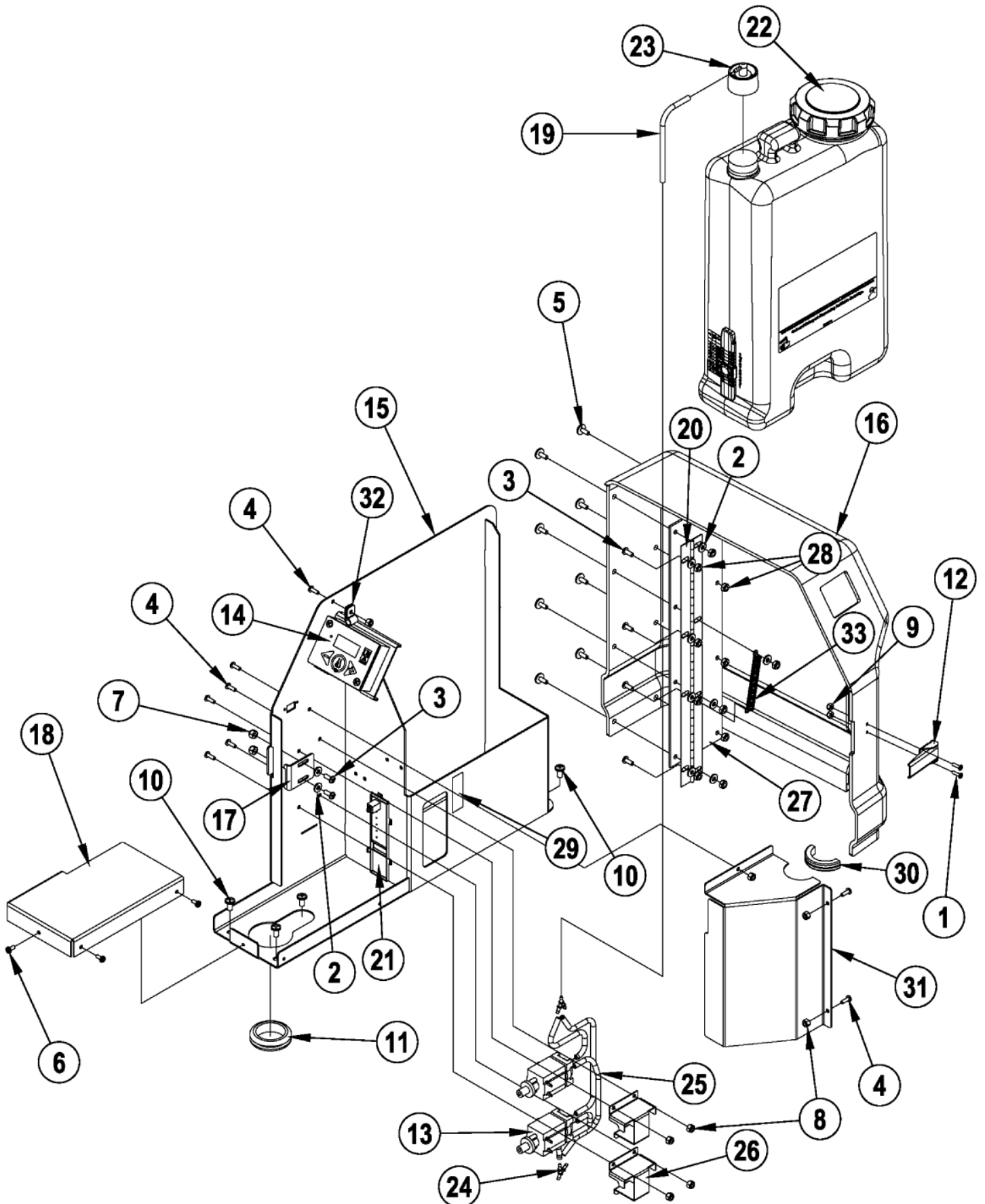
CR 1100B / 1200B

23-11-2012

Part List ID

E149147

157



Chemical injection kit-36VDC (control box assy) -

CR 1100B / 1200B

23-11-2012

Part List ID E149147

158

Pos	Part no.	Qty	Description	
	56306197	1	CONTROL BOX ASSY 36V	
1	56001830	2	SCR PAN PHIL 6 32 X .50	
2	56001954	10	WSH FLT SAE 10	
3	56001993	6	SCREW 10 24 X 0.5 ZINC PL	
4	56002003	8	SCR PAN PHIL 8 32 X .50	
5	56009100	8	SCR PANPHILTHD BLK 10 24X.62	
6	56002523	3	SCR PAN HD PHIL HP5 8 32 X .38	
7	56002768	2	NUT HEX NYL LOC 10 24	
8	56002808	8	NUT HEX NYL LOC 8 32	
9	56002830	2	NUT HEX NYL LOC 6 32	
10	56009033	5	SCR HEX THD FORM 1/4 20X.50	
11	56054715	1	GROMMET E00059	
12	56109591	1	LATCH	NOTE 1
13	56110742	2	PUMP DETERGENT 12V	
14	56306195	1	AXP CONTROL ASSY 36V	
15	56306124	1	BOX WELDMENT CHEMICAL	
16	56306133	1	COVER CHEMICAL INJECTION	
17	56306147	1	CATCH	
18	56306148	1	COVER	
19	56306169	1	HOSE CHEM RESISTANT 17.00	
20	56306181	1	HINGE	
21	56315340	1	CHEMICAL SENSOR ASSEMBLY	
22	56315517	1	CAP	NOT SHOWN
22	56315690	1	CAP 38MM BUTTRESS	NOT SHOWN
22	56413119	1	BOTTLE CHEMICAL ASM	NOT SHOWN
22	56413784	1	INSERT DRY BREAK	NOT SHOWN
22	56413999	1	CHEM BOTTLE ASSY AXP	
23	56315523	1	CAP DRY BREAK 1/8 BARB	
24	56413691	2	FITTING Y BARB	
25	56413693	4	HOSE CHEMICAL RESISTANT 5.00	
26	56413775	2	BRACKET PUMP MOUNT	
27	56306191	1	PLATE REINFORCING	
28	56002832	12	NUT HEX NYL LOC THIN 10 24	
29	56016331	1	DECAL CHEMICAL RATIO	
30	56344621	1	GROMMET 1.500 E00059	
31	56306198	1	PUMP COVER	
32	56300152	1	CLAMP CORD E00129	
33	56379301	1	SPRING EXT .37X3.62CR211J	
33	56478246	1	CABLE TIE E00549 RE438BA	NOT SHOWN
100	56306197	1	CONTROL BOX ASSY 36V	NOT SHOWN
101	56306160	1	PUMP ASSY 36 VDC	NOT SHOWN
103	56306167	1	HARNESS BATTERY CAPTOR AXP	NOT SHOWN

NOTE 1: Latch 56109591 is the replacement for Latch 56054856. To replace a 56054856 Latch; remove the old latch, line up the new latch 56109591 with the catch, use the latch as a template to mark and drill the new

Chemical injection kit-36VDC (control box assy) -

CR 1100B / 1200B

23-11-2012

Part List ID
E149147

159

Pos	Part no.	Qty	Description	
104	56387316	1	CIRCUIT BREAKER 10A	NOT SHOWN
105	56459367	1	BOOT RESET BUTTON E00585	NOT SHOWN
106	56009039	1	SCR HEX THD FORM 10 24X .50	NOT SHOWN
107	56303588	1	PLATE CIRCUIT BREAKER MOUNT	NOT SHOWN
108	56303589	1	DECAL CIRCUIT BREAKER	NOT SHOWN
109	56051474	1	CLAMP. P E00129	NOT SHOWN
110	56305232	1	GASKET	NOT SHOWN
111	56459825	1	BUSHING REDUCER E00148	NOT SHOWN
112	56306179	2	DECAL CR1200 EDS	NOT SHOWN
113	56306180	2	DECAL CR1400 EDS	NOT SHOWN

NOTE 1: Latch 56109591 is the replacement for Latch 56054856. To replace a 56054856 Latch; remove the old latch, line up the new latch 56109591 with the catch, use the latch as a template to mark and drill the new

Chemical injection kit-36VDC (pump assy) - Acce

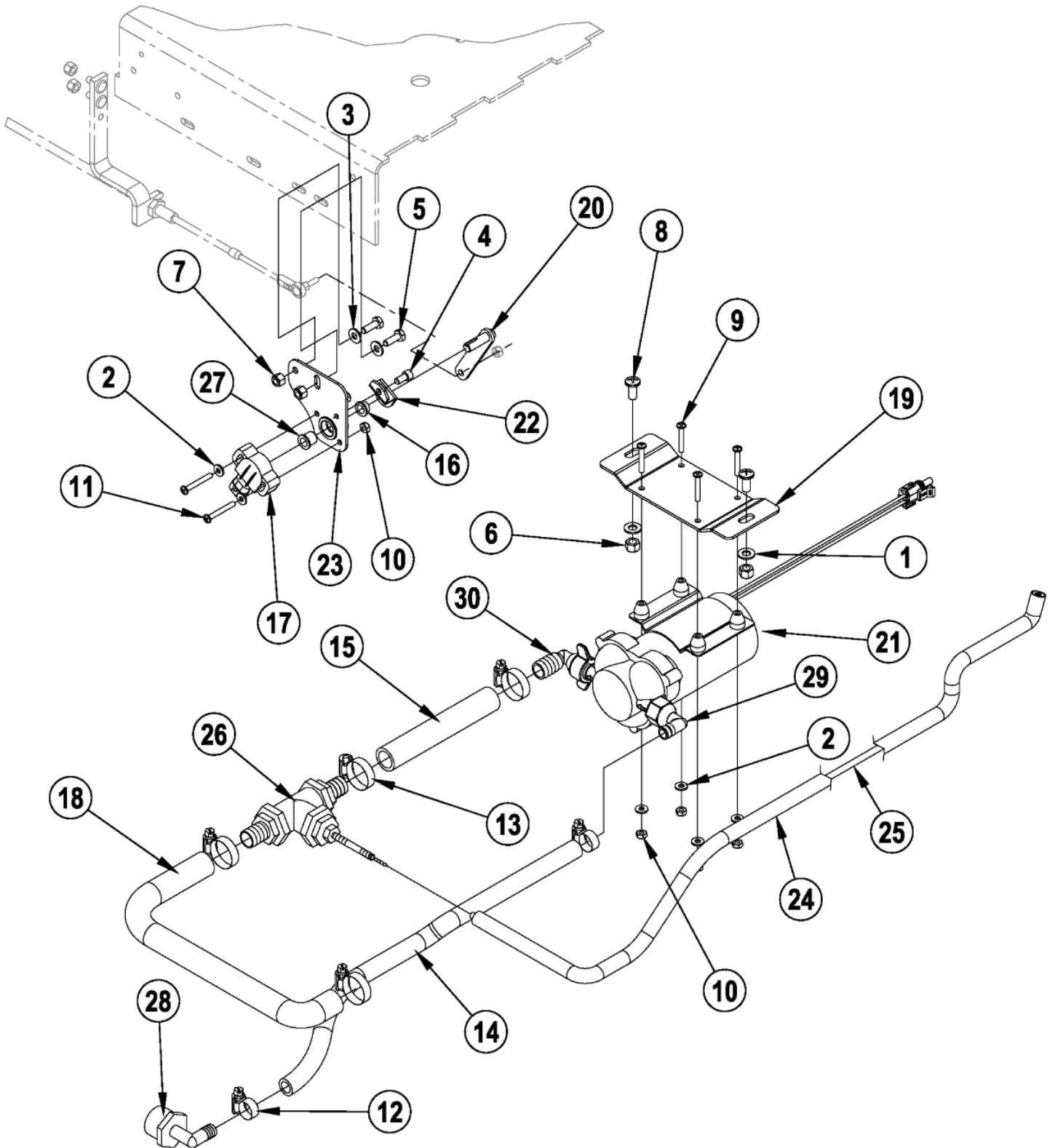
CR 1100B / 1200B

23-11-2012

Part List ID

E149149

160



Chemical injection kit-36VDC (pump assy) - Accesso

CR 1100B / 1200B

23-11-2012

Part List ID

E149149

161

Pos	Part no.	Qty	Description
	56306160	1	PUMP ASSY 36 VDC
1	56001939	2	WSH FLT SAE 5/16
2	56001954	6	WSH FLT SAE 10
3	56002098	2	WSH FLT SAE 1/4
4	56002115	2	SCR SOC HD 1/4 20 X .50
5	56002155	2	SCR HEX 1/4 20 X .75
6	56002701	2	NUT HEX NYL LOC 5/16 18
7	56002708	2	NUT HEX NYL LOC 1/4 20
8	56002793	2	SCR PAN PHIL 5/16 18 X .75
9	56002824	4	SCR PAN PHIL 10 24X1.25
10	56002832	6	NUT HEX NYL LOC THIN 10 24
11	56003574	2	SCR PAN PHIL SS 10 24X1.50
12	56219932	2	CLAMP HOSE SAE 6 E00047
13	56244969	4	CLAMP HOSE SAE 12 E00047
14	56412277	1	SOLUTION HOSE E00604
15	56305762	1	HOSE SPIRAL E00605
16	56303285	1	BEARING FL .500X.375X.250
17	56303313	1	ROTARY SENSOR NO SPRING (R2)
18	56305591	1	HOSE SPIRAL .750 E00605
19	56306122	1	MOUNT PUMP
20	56306129	1	CONTROL ARM WELDT
21	56413810	1	PUMP 36V (M17)
22	56306162	1	BRACKET PIVOT
23	56306165	1	PIVOT SENSOR WELT
24	56306168	1	CONDUIT SOLUTION HOSE 44LG
25	56314942	1	HOSE CHEM RESISTANT
26	56306194	1	TEE ASSEMBLY
27	56508737	1	BEARING FL .500 X .375 X .500
28	56900245	1	BARB ELBOW E00037
29	56261246	1	ELBOW
30	56306146	1	ELBOW POLY 1/2 X 3/4

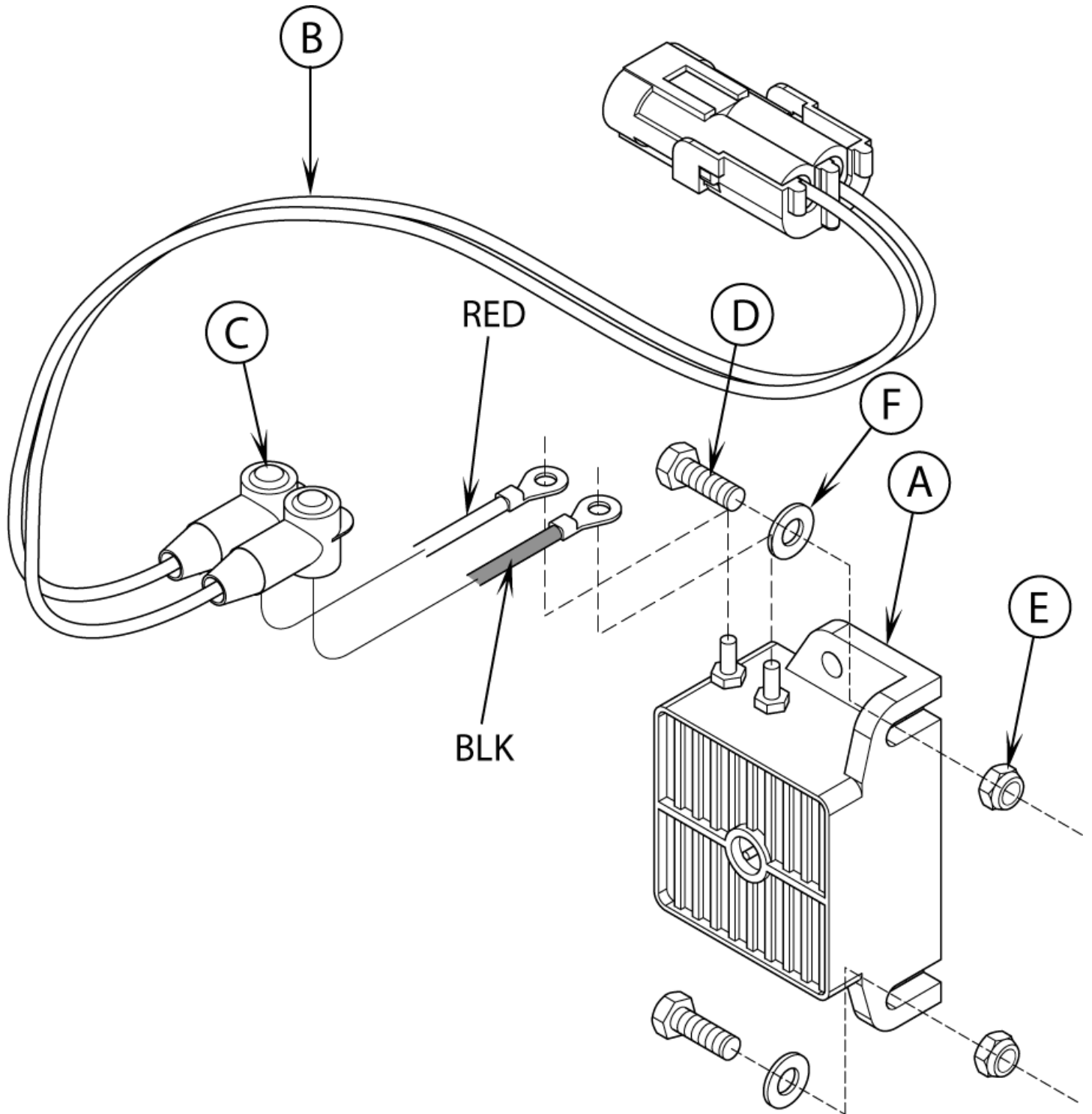
56305519 - Back-up Alarm Kit

CR 1100B / 1200B

23-11-2012

Part List ID
IS56040800

162



56305519 - Back-up Alarm Kit

CR 1100B / 1200B

23-11-2012

Part List ID
IS56040800

163

Pos	Part no.	Qty	Description
0	56305519	1	BACK UP ALARM KIT
A	56409232	1	BACK UP ALARM
B	56409495	1	WIRE ASSY. PIGTAIL
C	56409538	2	TERMINAL INSULATOR
D	56009018	2	SCR HEX THD FORM 1/4 20X .75
E	56002708	2	NUT HEX NYL LOC 1/4 20
F	56002098	2	WSH FLT SAE 1/4

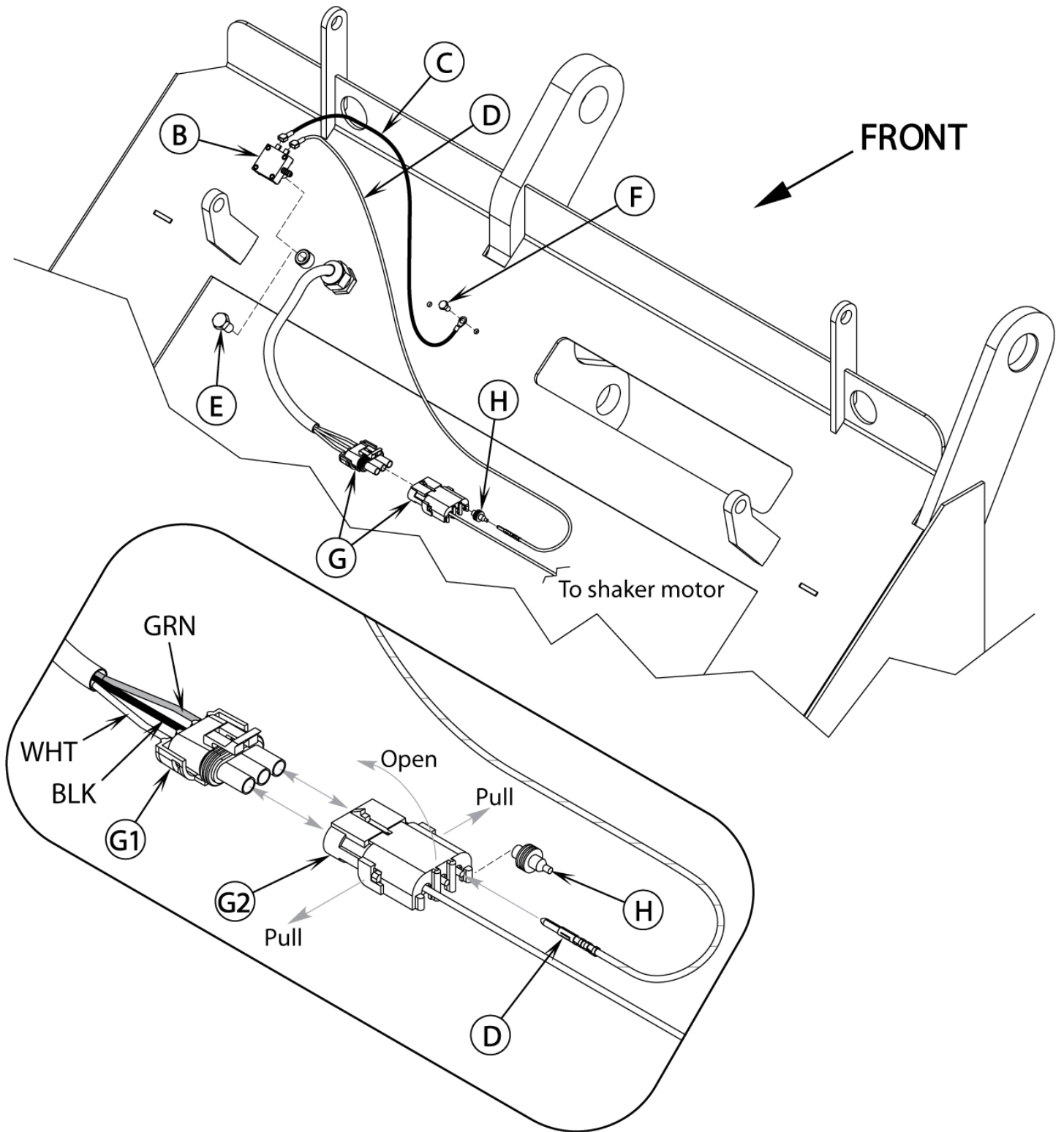
56305517 - Hopper Filter Switch Kit

CR 1100B / 1200B

23-11-2012

Part List ID
IS56040801

164



56305517 - Hopper Filter Switch Kit

CR 1100B / 1200B

23-11-2012

Part List ID
IS56040801

165

Pos	Part no.	Qty	Description
A	56478246	2	CABLE TIE E00549 RE438BA
B	56305518	1	SWITCH VACUUM
C	56305479	1	BLK 18 9 WIRE ASSEMBLY
D	56305478	1	WHT/GRA 18 2 WIRE ASSEMBLY

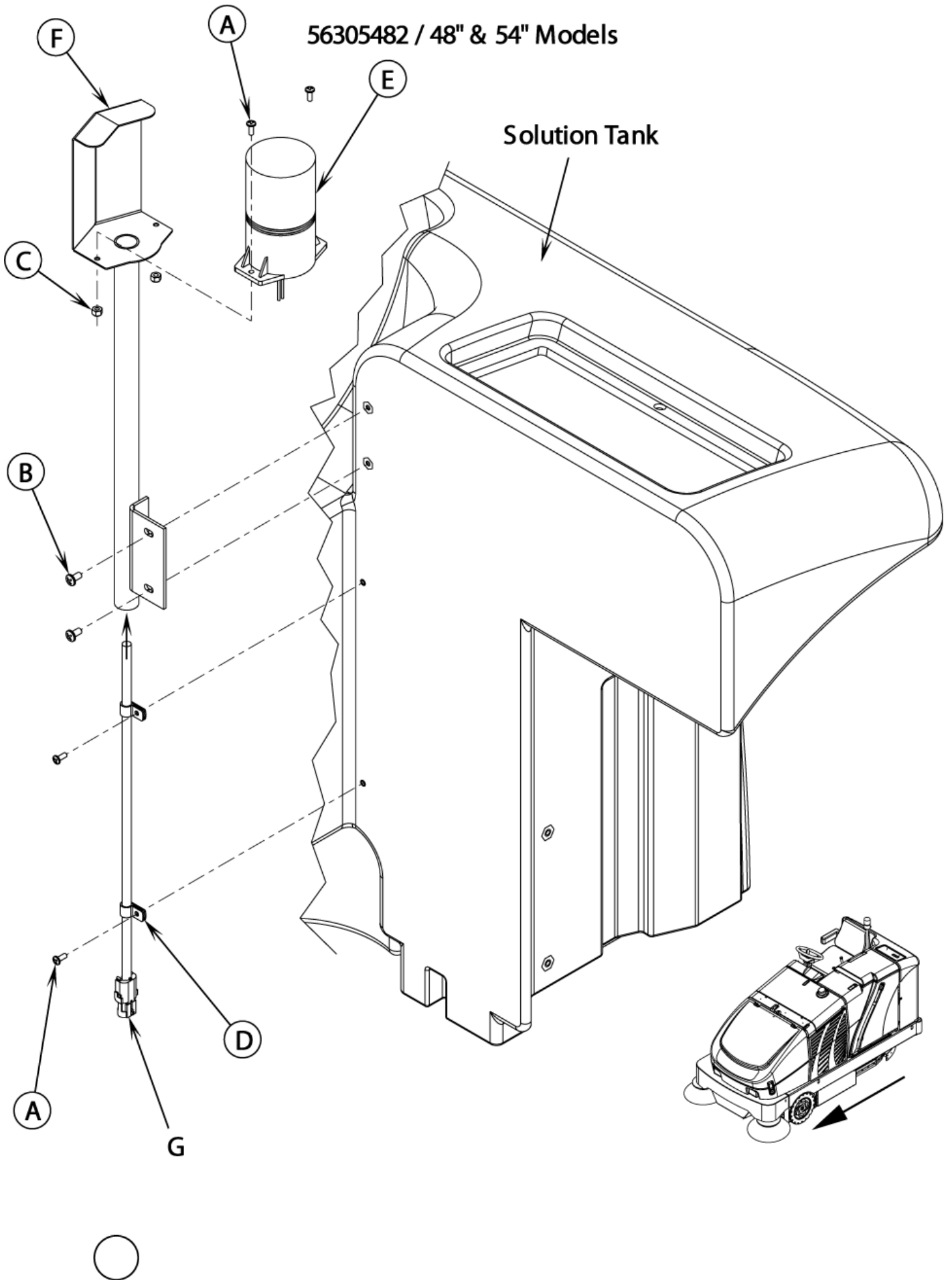
56305482 - Beacon Kit 48" and 54" models

CR 1100B / 1200B

23-11-2012

Part List ID
IS56040802P2

166



56305482 - Beacon Kit 48" and 54" models

CR 1100B / 1200B

23-11-2012

Part List ID
IS56040802P2

167

Pos	Part no.	Qty	Description
A	56001993	4	SCREW 10 24 X 0.5 ZINC PL
B	56002145	2	SCR PAN PHIL 1/4 20 X .50
C	56002768	2	NUT HEX NYL LOC 10 24
D	56172017	2	P CLIP E00129
E	56305223	1	BEACON WARNING
F	56305481	1	TUBE WELDMENT
G	56305513	1	HARNESS BEACON

56305881 - Beacon Kit 43" models

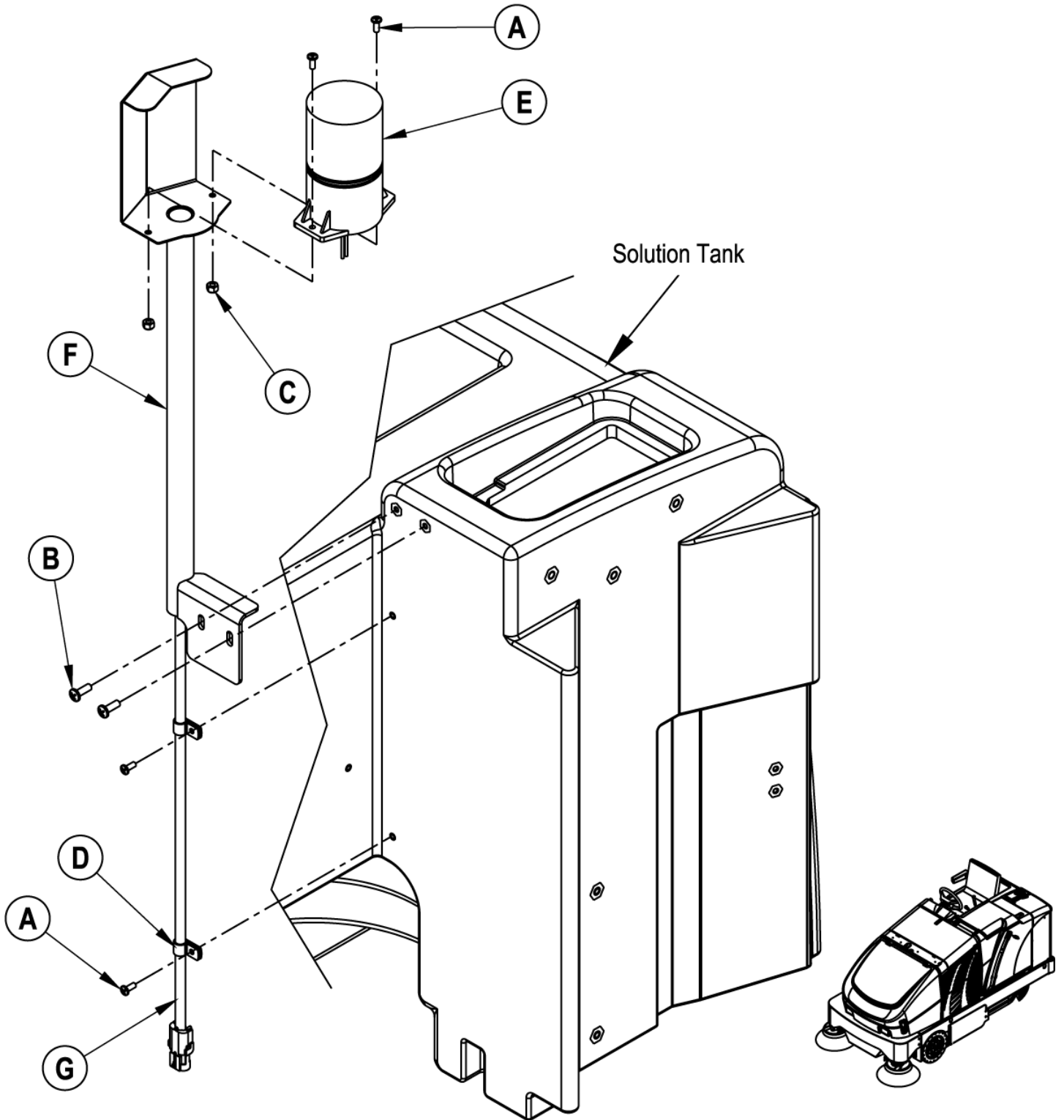
CR 1100B / 1200B

23-11-2012

Part List ID
IS56040802P3

168

56305881 / 43" Models



56305881 - Beacon Kit 43" models

CR 1100B / 1200B

23-11-2012

Part List ID
IS56040802P3

169

Pos	Part no.	Qty	Description
A	56001993	4	SCREW 10 24 X 0.5 ZINC PL
B	56002145	2	SCR PAN PHIL 1/4 20 X .50
C	56002768	2	NUT HEX NYL LOC 10 24
D	56172017	2	P CLIP E00129
E	56305223	1	BEACON WARNING
F	56305883	1	BEACON MOUNT WELDMENT 60
G	56305513	1	HARNES BEACON

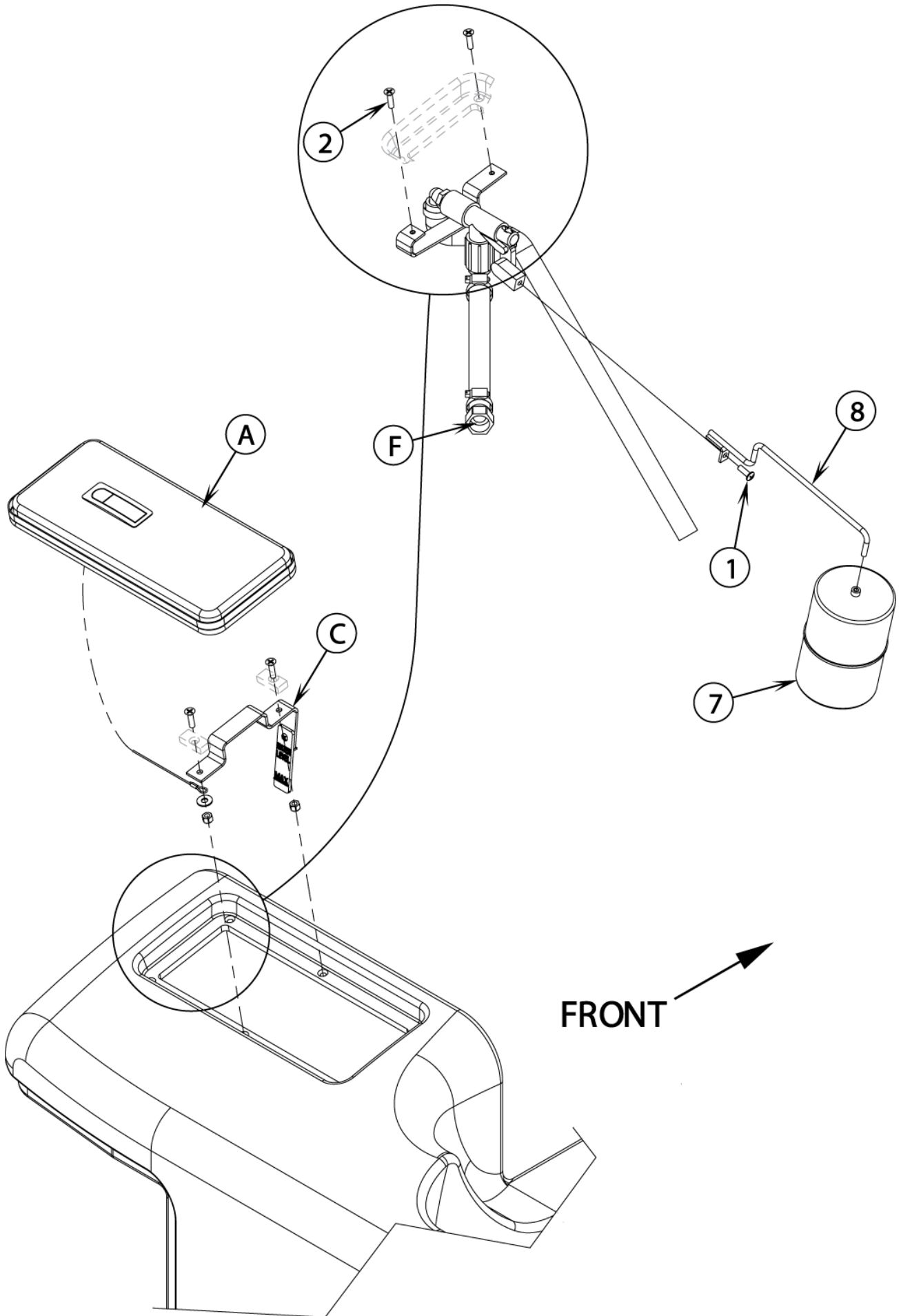
56305585 - Solution Fill Shutoff Kit

CR 1100B / 1200B

23-11-2012

Part List ID
IS56040805

170



56305585 - Solution Fill Shutoff Kit

CR 1100B / 1200B

23-11-2012

Part List ID
IS56040805

171

Pos	Part no.	Qty	Description
1	56002957	1	SCR PAN PHIL SS 1/4 20 X .75
2	56003074	2	SCR FLT PHIL SS 1/4 20X1.00
3	56244969	3	CLAMP HOSE SAE 12 E00047
4	56456802	2	ELBOW 3/4 X 3/4 E00037
5	56305318	1	HOSE 10.5 SPIRAL E00605
6	56305566	1	VALVE FLOAT
7	56305572	1	FLOAT 4 X 6
8	56305586	1	FLOAT ARM WELDMENT
10	56305599	1	FITTING GH TO BARB
11	56305636	1	COUPLING 3/4 NPT PVC
12	56459674	1	HOSE SPIRAL E00605

NOTE 1: All items except (1, 2, 7 & 8) are pre-assembled.

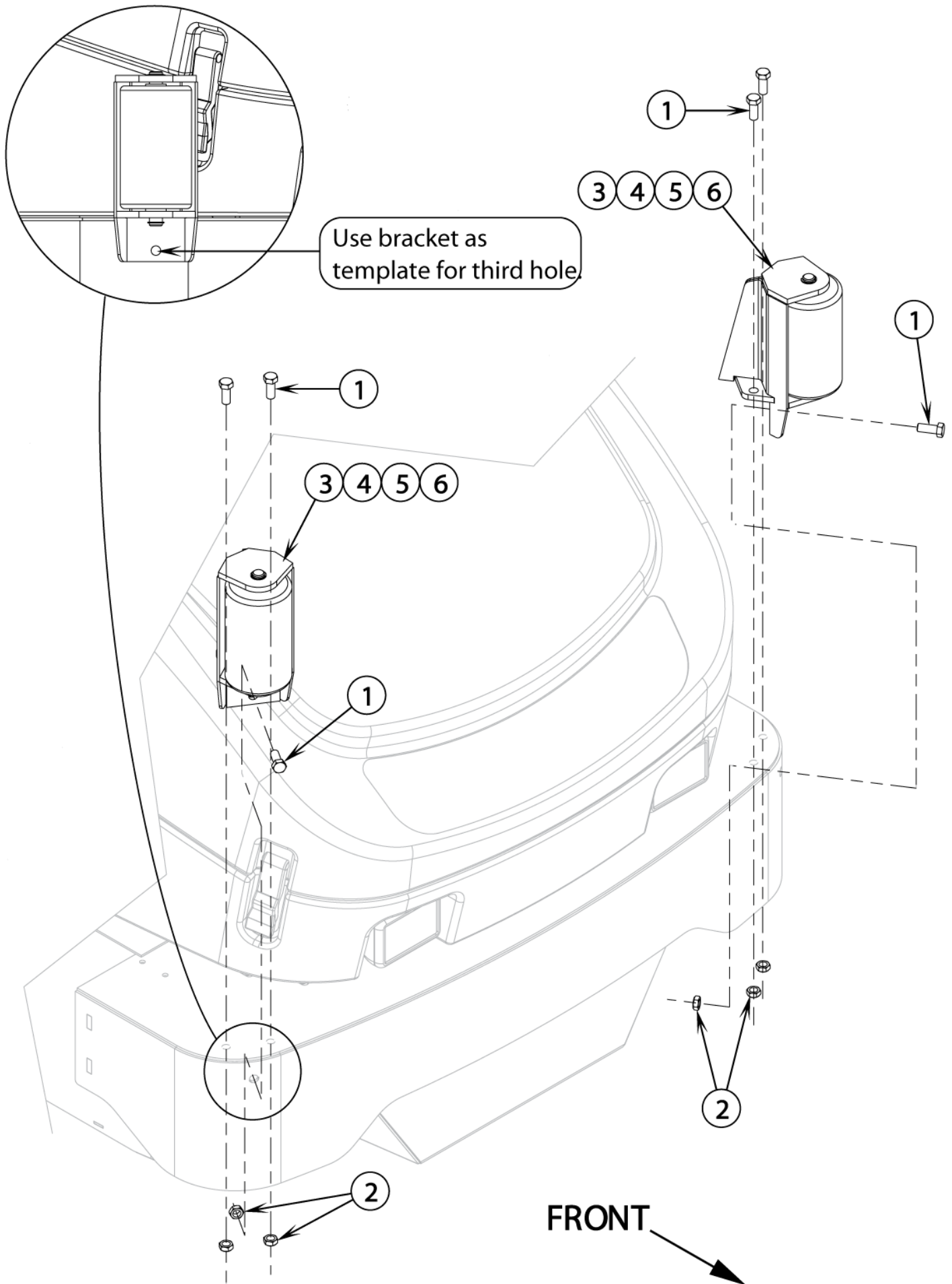
56305493 - Tower Bumper Kit

CR 1100B / 1200B

23-11-2012

Part List ID
IS56040806

172



56305493 - Tower Bumper Kit

CR 1100B / 1200B

23-11-2012

Part List ID
IS56040806

173

Pos	Part no.	Qty	Description
1	56001831	6	SCR HEX 1/2 13 X 1.25
2	56002843	6	NUT HEX NYL LOC THIN 1/2 13
3	56003266	4	RING RET EXT TYPE E
4	56409335	2	BUMPER ROLLER
5	56409336	2	PIN
6	56305332	2	ROLLER BUMPER BRACKET WELDMENT

NOTE: Items 3, 4, 5 & 6 are pre-assembled.

56305530 - Vacuum Wand Kit for CR 1200, 1400

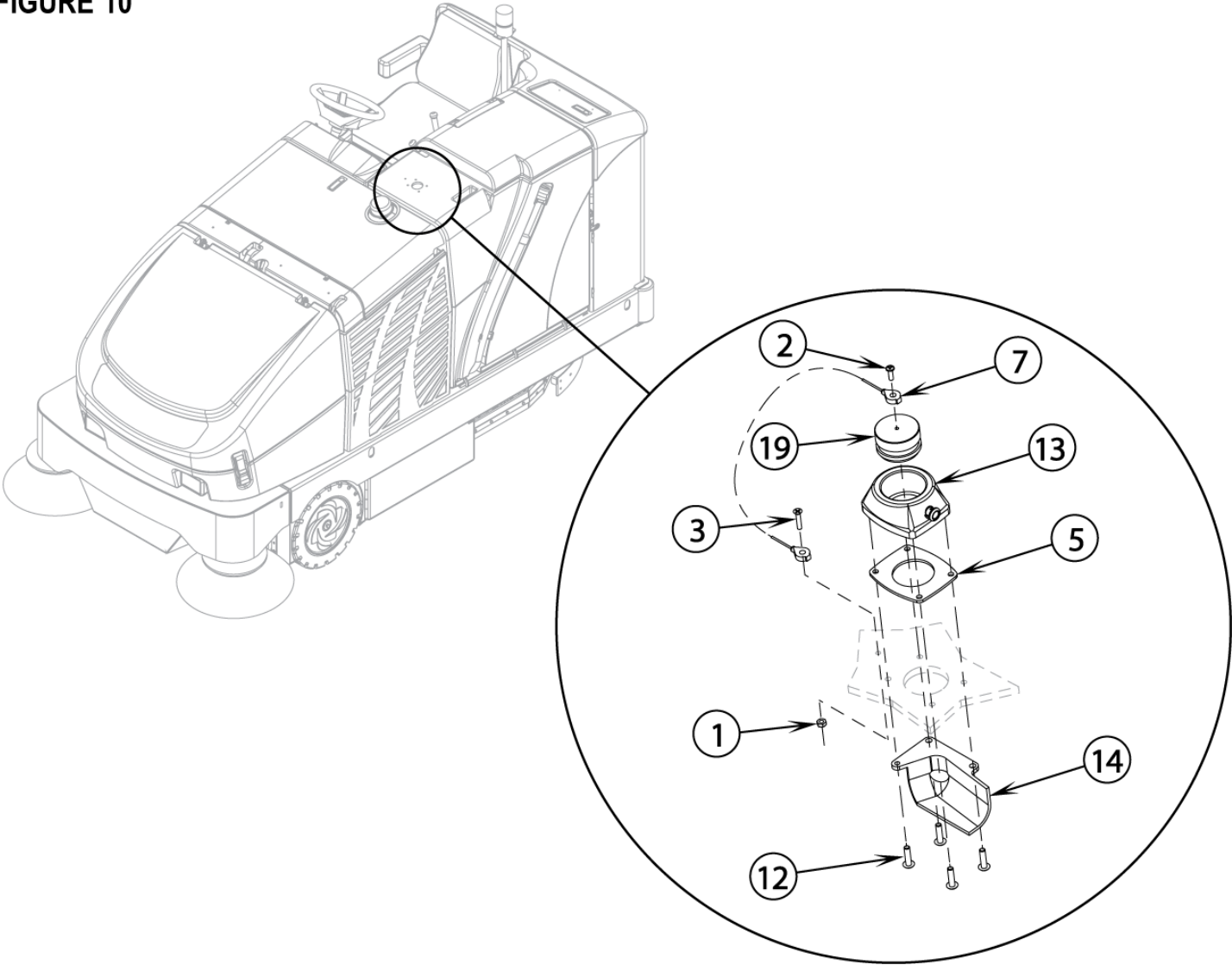
CR 1100B / 1200B

23-11-2012

Part List ID
IS56040809FIG10

174

FIGURE 10



56305530 - Vacuum Wand Kit for CR 1200, 1400

CR 1100B / 1200B

23-11-2012

Part List ID
IS56040809F IG10

175

Pos	Part no.	Qty	Description
1	56002849	1	NUT HEX NYL LOC THIN SS 10 24
2	56002896	1	SCR PAN PHIL SS 10 24 X .62
3	56002917	1	SCR FLT PHIL SS 10 24 X 1.00
5	56201390	1	GASKET HP29G 1
7	56325240	1	WIRE ROPE ASSY 10.0HC366C
12	56009006	4	SCR PAN PHIL SS TYPE AB 10 16X
13	56205821	1	CONNECTOR ASSEMBLY
14	56205829	1	DEFLECTOR
19	56456078	1	PLUG

56305530 - Vacuum Wand Kit for CR 1100

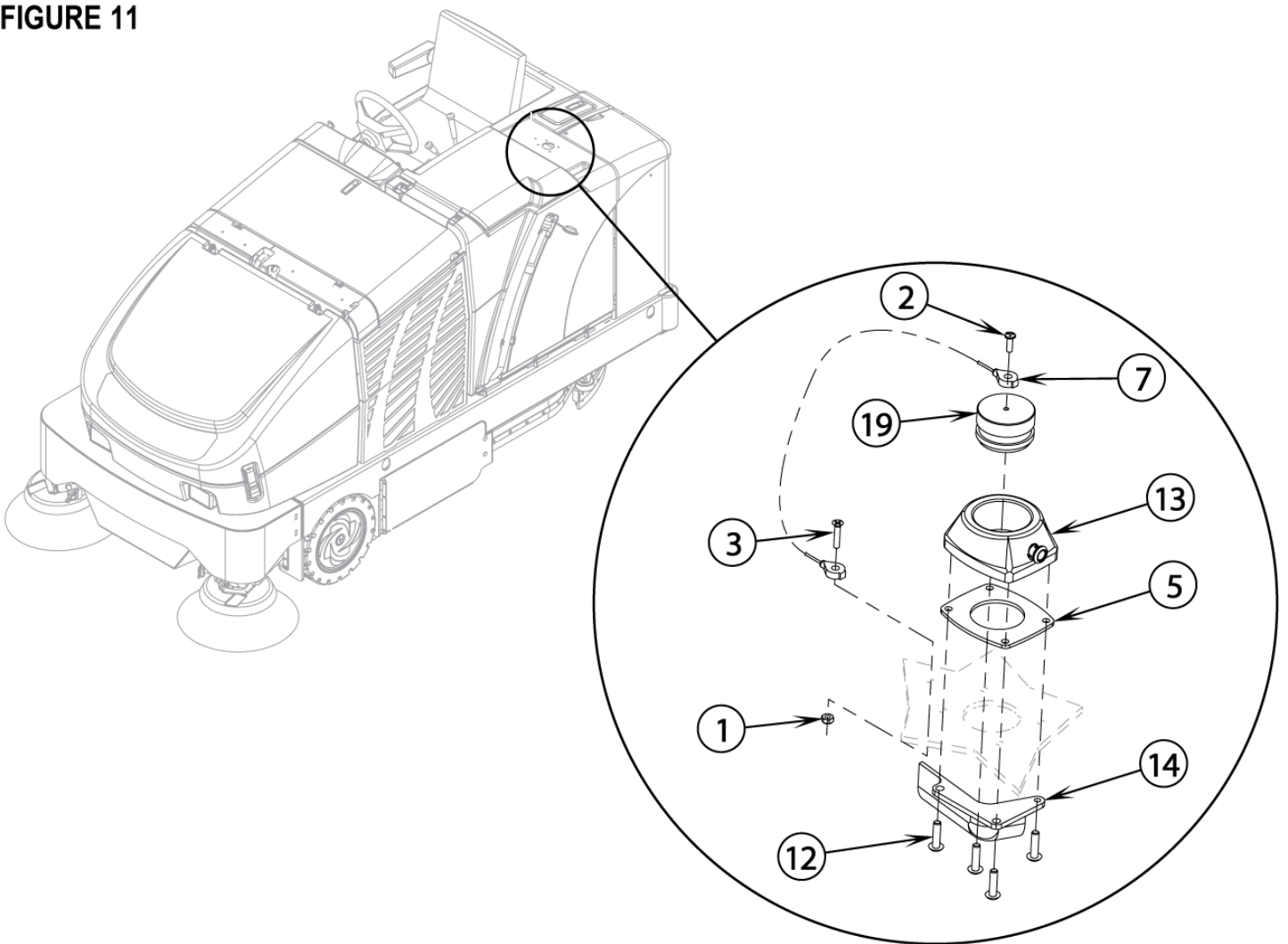
CR 1100B / 1200B

23-11-2012

Part List ID
IS56040809FIG11

176

FIGURE 11



56305530 - Vacuum Wand Kit for CR 1100

CR 1100B / 1200B

23-11-2012

Part List ID
IS56040809H-IG11

177

Pos	Part no.	Qty	Description
1	56002849	1	NUT HEX NYL LOC THIN SS 10 24
2	56002896	1	SCR PAN PHIL SS 10 24 X .62
3	56002917	1	SCR FLT PHIL SS 10 24 X 1.00
5	56201390	1	GASKET HP29G 1
7	56325240	1	WIRE ROPE ASSY 10.0HC366C
12	56009006	4	SCR PAN PHIL SS TYPE AB 10 16X
13	56205821	1	CONNECTOR ASSEMBLY
14	56205829	1	DEFLECTOR
19	56456078	1	PLUG

56305530 - Vacuum Wand Kit for CR 1100

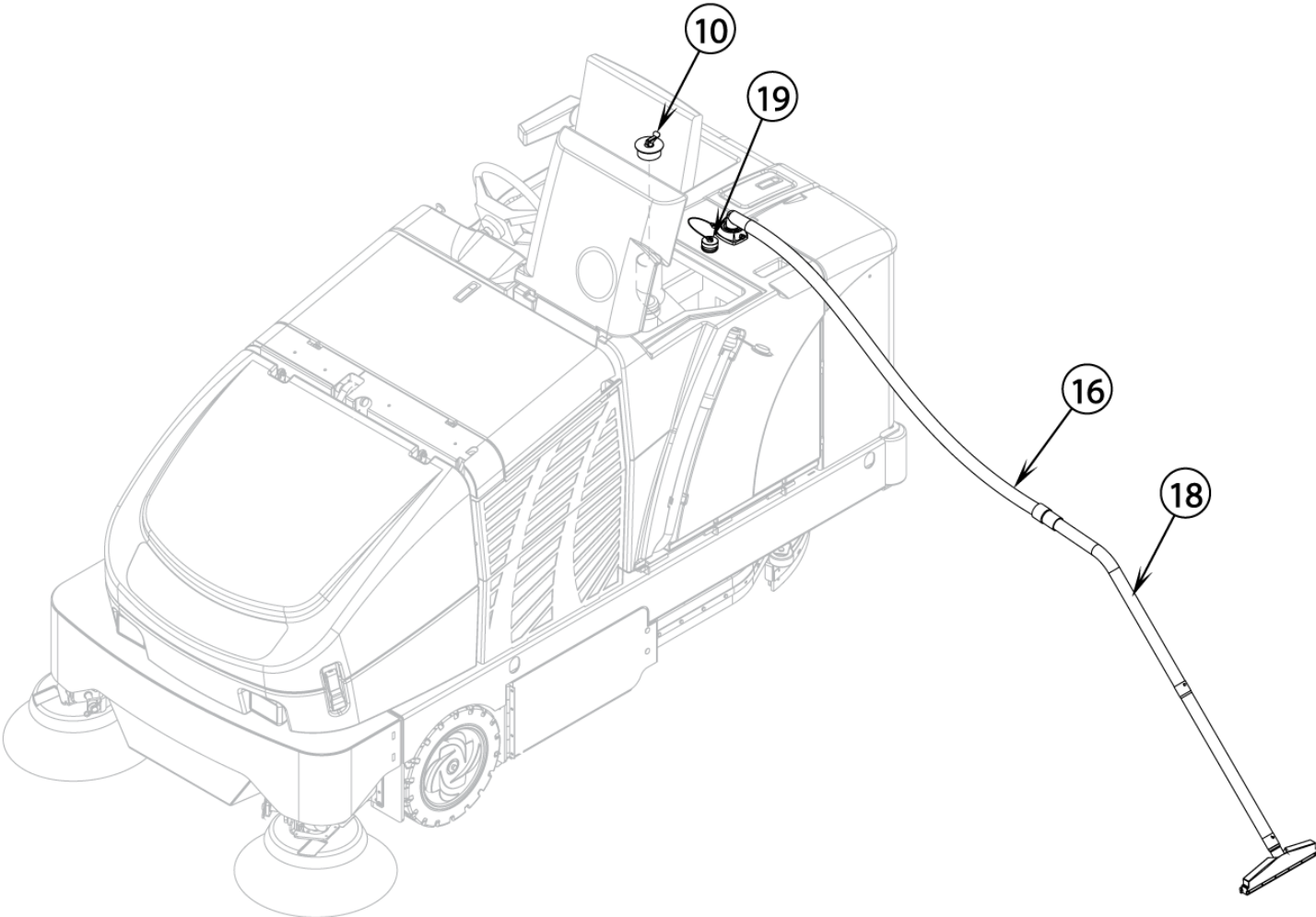
CR 1100B / 1200B

23-11-2012

Part List ID
IS56040809FIG13

178

FIGURE 13



56305530 - Vacuum Wand Kit for CR 1100

CR 1100B / 1200B

23-11-2012

Part List ID
IS56040809H-IG13

179

Pos	Part no.	Qty	Description
10	56462703	1	PLUG EXPANSION DRAI
16	56305539	1	HOSE ASSEMBLY
18	56305605	1	WAND ASSEMBLY
19	56456078	1	PLUG

56305530 - Vacuum Wand Kit

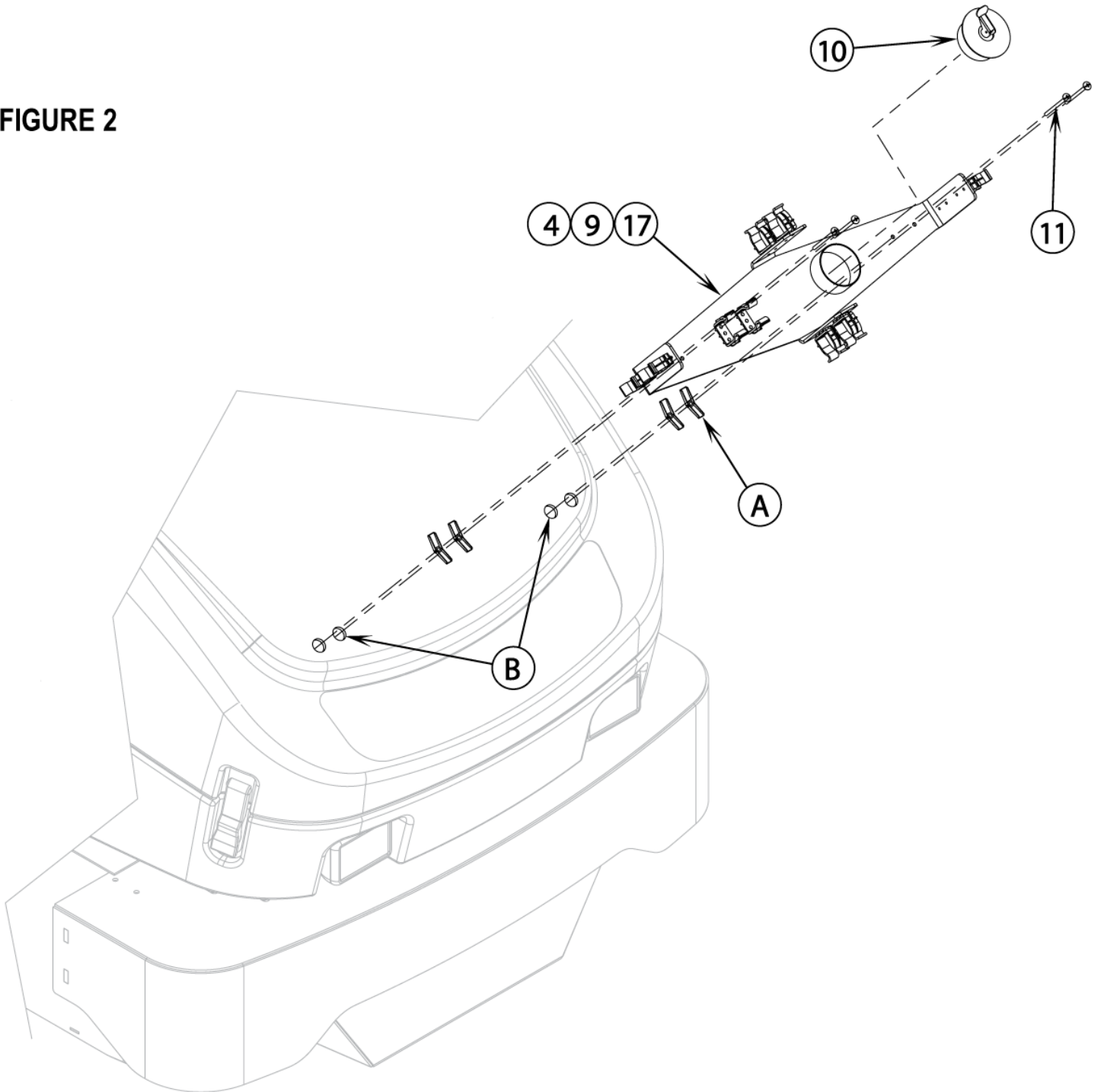
CR 1100B / 1200B

23-11-2012

Part List ID
IS56040809FIG2

180

FIGURE 2



56305530 - Vacuum Wand Kit

CR 1100B / 1200B

23-11-2012

Part List ID
IS56040809F-IGZ

181

Pos	Part no.	Qty	Description
1	56002849	1	NUT HEX NYL LOC THIN SS 10 24
2	56002896	1	SCR PAN PHIL SS 10 24 X .62
3	56002917	1	SCR FLT PHIL SS 10 24 X 1.00
4	56009030	32	SCR PAN PHIL THD FOM 10 24X.38
5	56201390	1	GASKET HP29G 1
6	56209321	1	SWITCH ROCKER
7	56325240	1	WIRE ROPE ASSY 10.0HC366C
8	56392171	6	CLAMP PLASTIC
9	56407361	10	CLAMP PLASTIC
10	56462703	1	PLUG EXPANSION DRAI
11	56003676	4	BOLT TOGGLE .25 X 3.00
12	56009006	4	SCR PAN PHIL SS TYPE AB 10 16X
13	56205821	1	CONNECTOR ASSEMBLY
14	56205829	1	DEFLECTOR
15	56305529	1	WAND MOUNT WELDMENT
16	56305539	1	HOSE ASSEMBLY
17	56305540	1	HOSE MOUNT WELDMENT
18	56305605	1	WAND ASSEMBLY
19	56456078	1	PLUG
20	56453254	1	GROMMET E00059
21	56009033	2	SCR HEX THD FORM 1/4 20X.50
22	56015253	1	DECAL WAND

56305530 - Vacuum Wand Kit

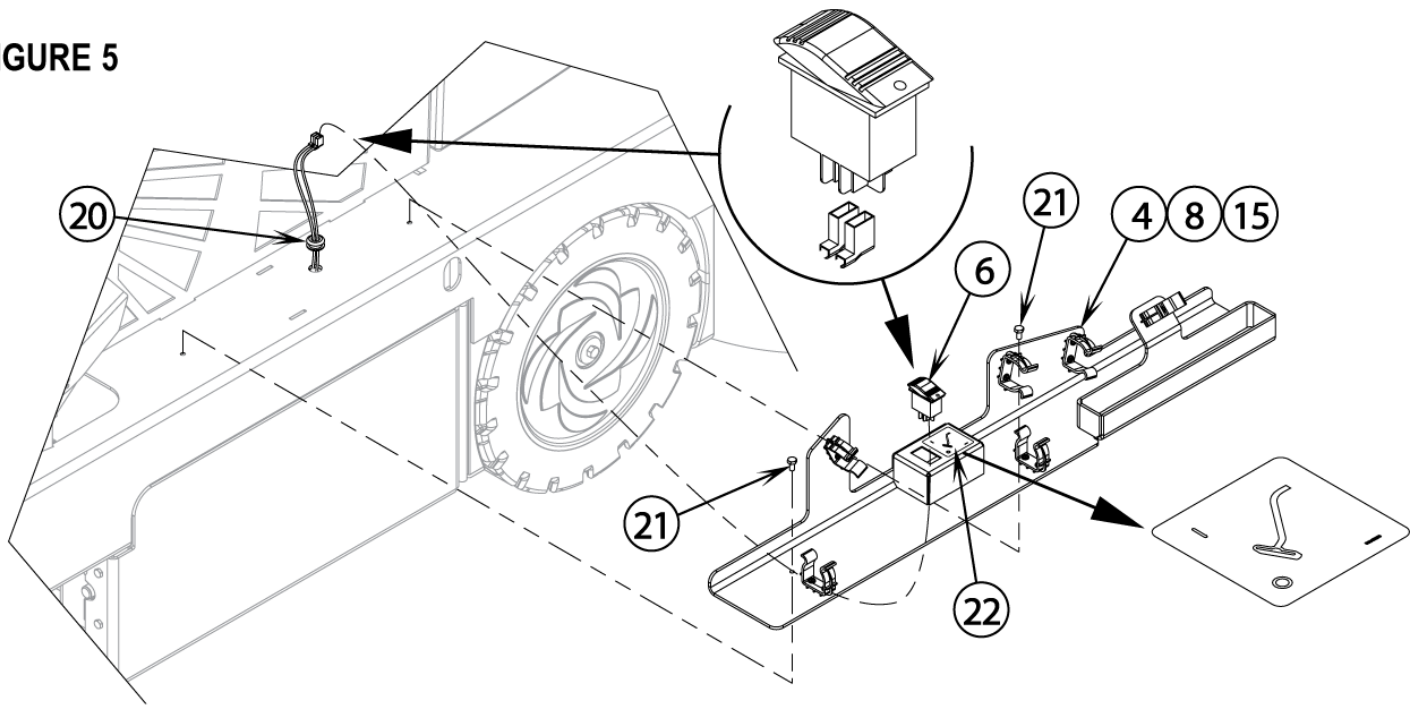
CR 1100B / 1200B

23-11-2012

Part List ID
IS56040809FIG5

182

FIGURE 5



56305530 - Vacuum Wand Kit

CR 1100B / 1200B

23-11-2012

Part List ID
IS56040809F-IG5

183

Pos	Part no.	Qty	Description
4	56009030	32	SCR PAN PHIL THD FOM 10 24X.38
6	56209321	1	SWITCH ROCKER
8	56392171	6	CLAMP PLASTIC
15	56305529	1	WAND MOUNT WELDMENT
20	56453254	1	GROMMET E00059
21	56009033	2	SCR HEX THD FORM 1/4 20X.50
22	56015253	1	DECAL WAND

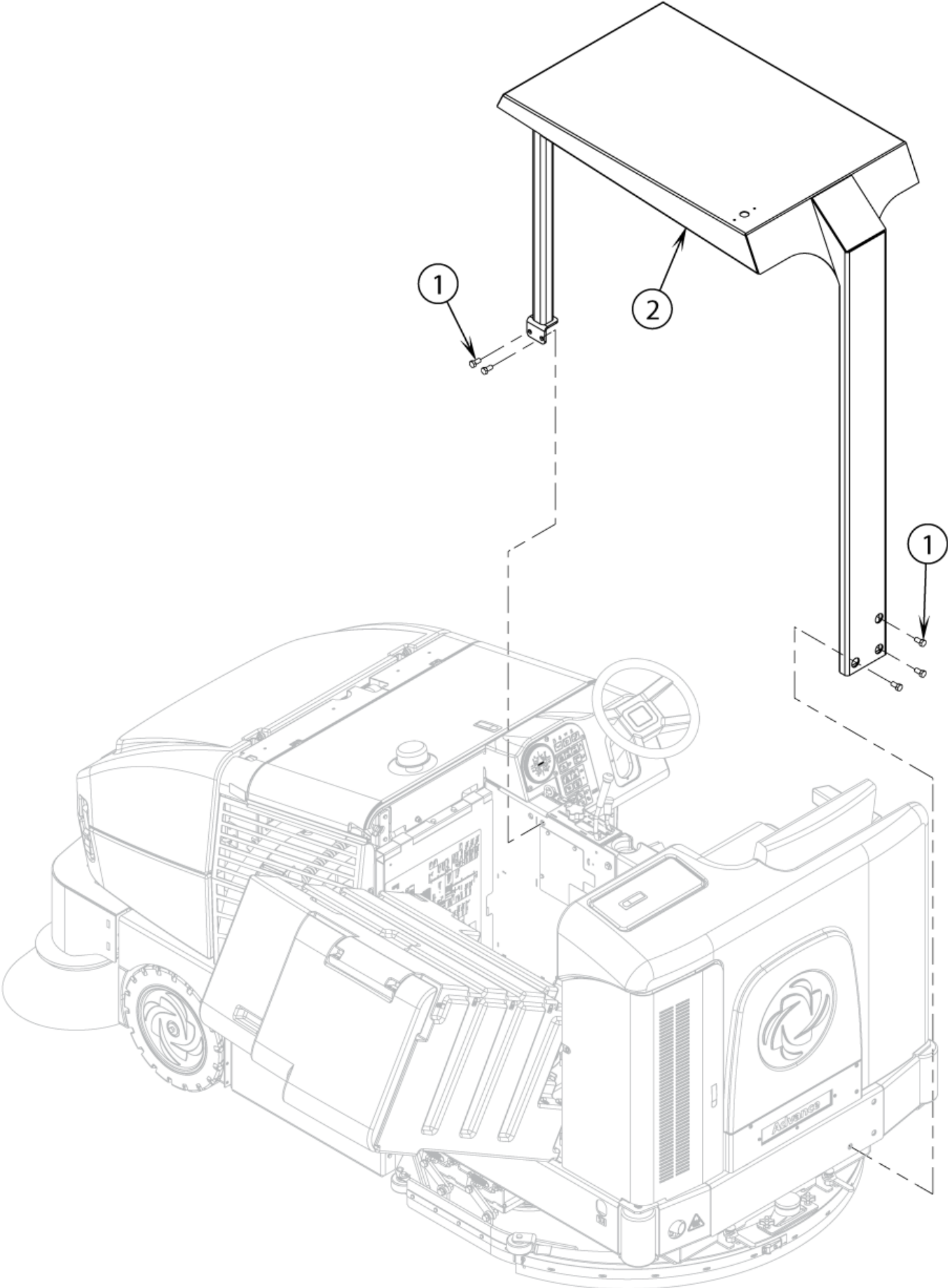
56305637 / 56303873 - Overhead Guard Kits

CR 1100B / 1200B

23-11-2012

Part List ID
IS56040810

184



56305637 / 56303873 - Overhead Guard Kits

CR 1100B / 1200B

23-11-2012

Part List ID
IS56040810

185

Pos	Part no.	Qty	Description	
1	56003083	5	SCR HEX LOC 1/2 13 X 1.00	GRADE 5
2	56303574	1	GUARD WELDMENT	USED IN KIT 56303573
2	56304862	1	LOW CLEARANCE GUARD WELDMENT	USED IN KIT 56305637
3	56305687	1	TRIM EDGE	
4	56305705	2	TRIM EDGE	NOT SHOWN / PRE-ASSEMBLED TO ITEM 2

56305641 - Curb Light Kit

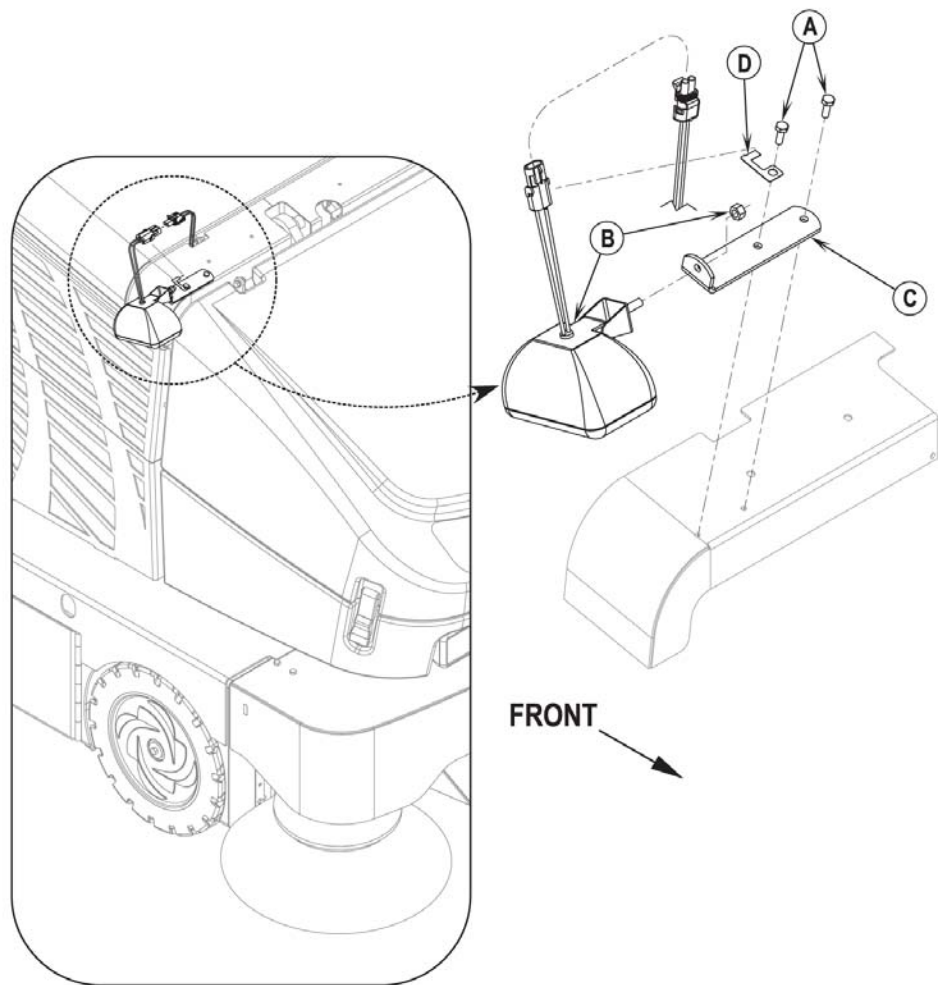
CR 1100B / 1200B

23-11-2012

Part List ID
IS56040811

186

FIGURE 2



56305641 - Curb Light Kit

CR 1100B / 1200B

23-11-2012

Part List ID
IS56040811

187

Pos	Part no.	Qty	Description
A	56009018	2	SCR HEX THD FORM 1/4 20X .75
B	56304768	1	LAMP 12V
C	56305648	1	BRACKET
D	56409769	1	CLIP WEATHER PACK

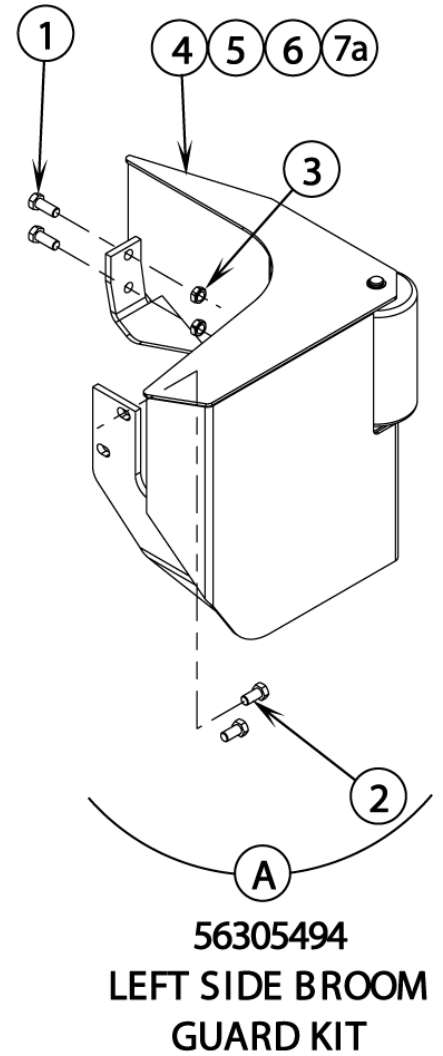
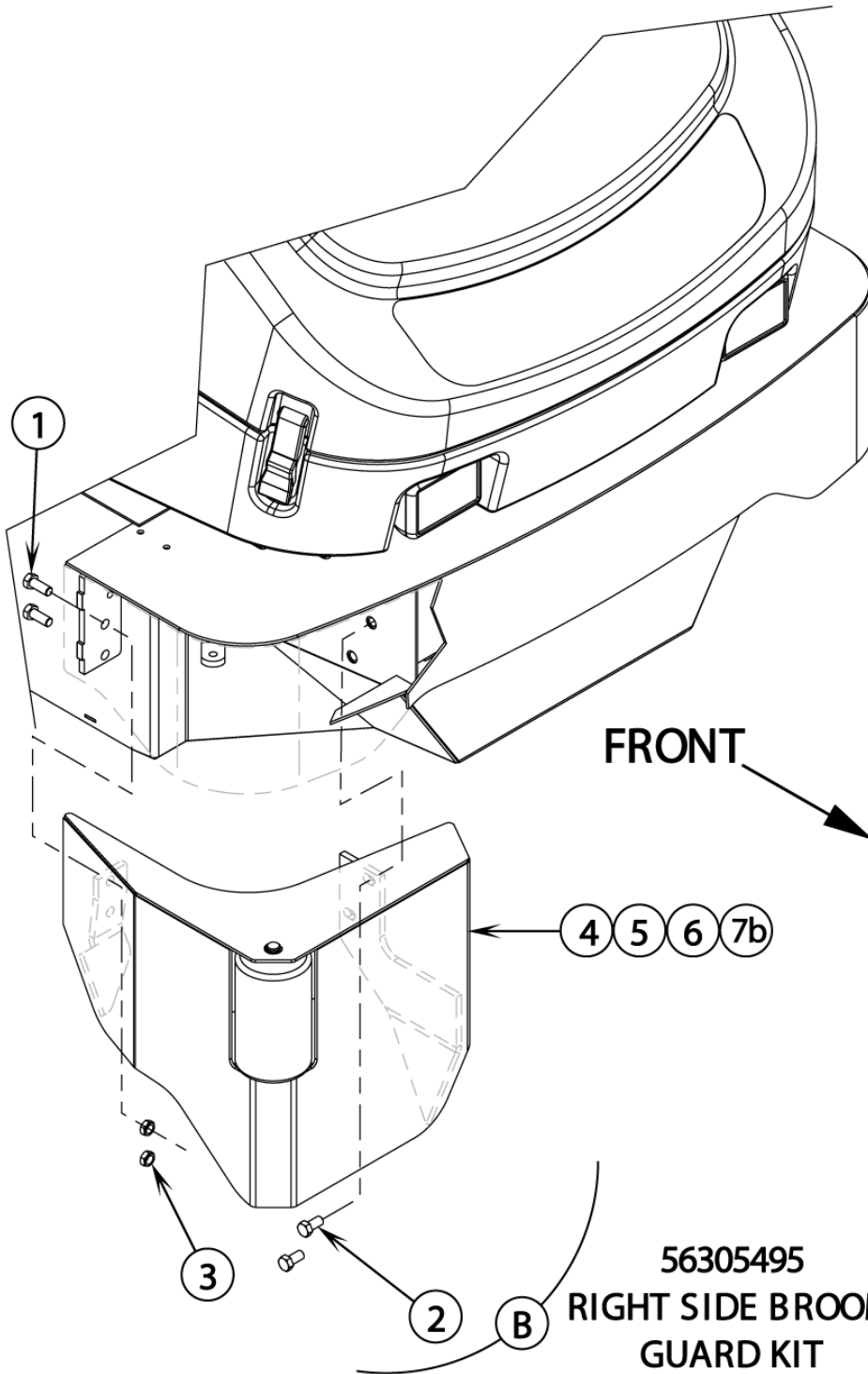
56305494 - Left Side / 56305495 - Right Side Bro

CR 1100B / 1200B

23-11-2012

Part List ID
IS56040815

188



56305494 - Left Side / 56305495 - Right Side Broom

CR 1100B / 1200B

23-11-2012

Part List ID
IS56040815

189

Pos	Part no.	Qty	Description	
1	56001831	2	SCR HEX 1/2 13 X 1.25	
2	56001895	2	SCR HEX 1/2 13 X 1.00	
3	56002843	2	NUT HEX NYL LOC THIN 1/2 13	
4	56003266	2	RING RET EXT TYPE E	
5	56409335	1	BUMPER ROLLER	
6	56409336	1	PIN	
A	56305494	1	LEFT SIDE BROOM GUARD KIT	
B	56305495	1	RIGHT SIDE BROOM GUARD KIT	
7A	56305322	1	LEFT GUARD WELDMENT	LEFT S.B. GUARD WELDÆT
7B	56305321	1	RIGHT GUARD WELDMENT	

NOTE: All mounting holes are predrilled, there are no modifications required. Items (4, 5, 6 & 7) are preassembled in both kits.

The two kits covered in this instruction sheet are also part of Kit PN56305652 which is designed for models

56305611 - W/O Switch / 56303381 - De Luxe Kit

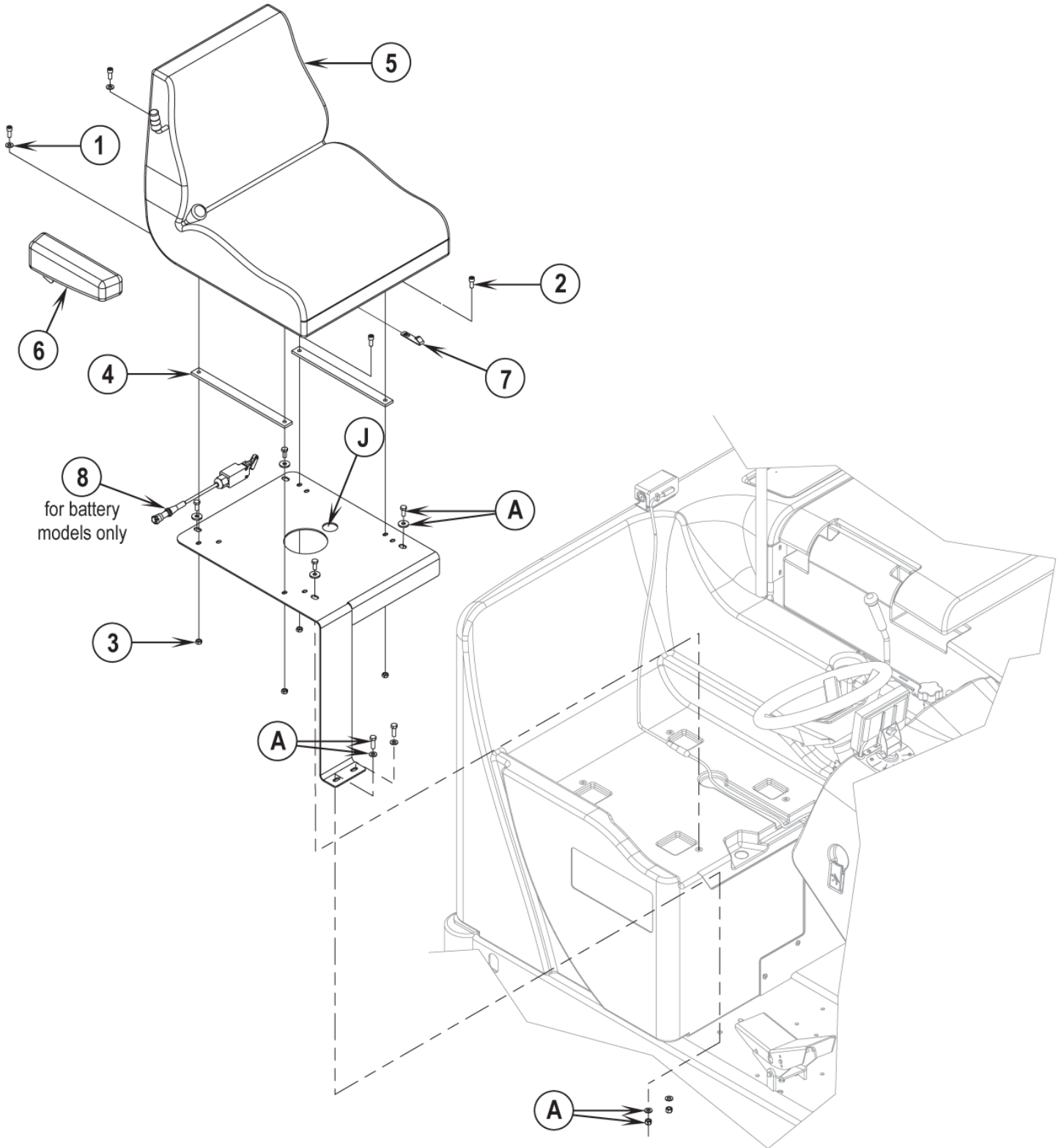
CR 1100B / 1200B

23-11-2012

Part List ID

IS56040817

190



56305611 - W/O Switch / 56303381 - De Luxe Kit wit

CR 1100B / 1200B

23-11-2012

Part List ID
IS56040817

191

Pos	Part no.	Qty	Description
1	56001939	2	WSH FLT SAE 5/16
2	56001959	4	SCR SOC HD 5/16 18 X .75
3	56002826	4	NUT HEX NYL LOC THIN 5/16 18
4	56305191	2	SPACER SEAT
5	56305612	1	SEAT GRAMMER
6	56305613	1	ARMREST GRAMMER RH
7	56305934	1	SLIDE STOP SEAT
8	56303533	1	SWITCH GRAMMER SEAT

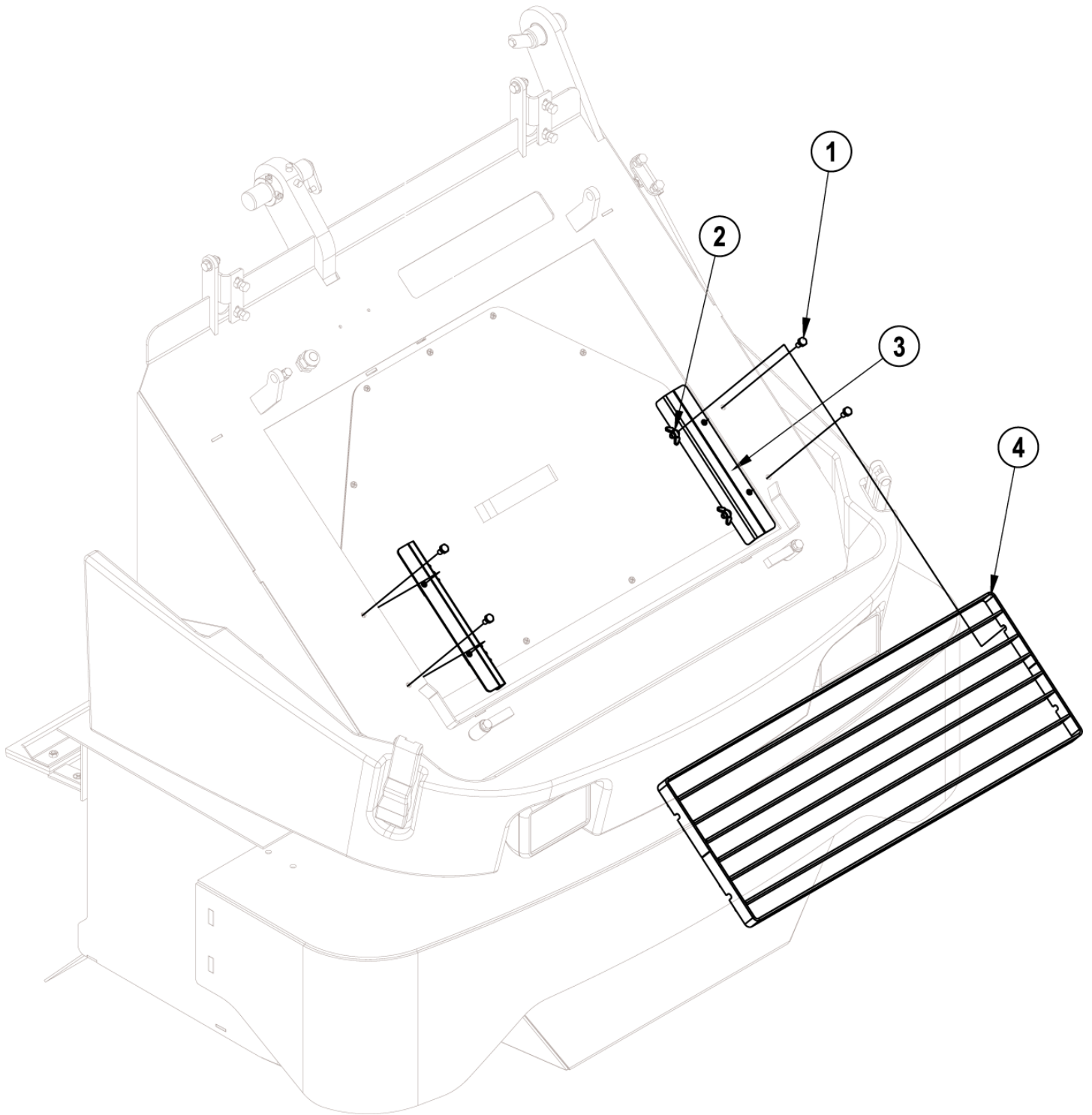
56305794 - Pre-filter Grid Kit

CR 1100B / 1200B

23-11-2012

Part List ID
IS56040819

192



56305794 - Pre-filter Grid Kit

CR 1100B / 1200B

23-11-2012

Part List ID
IS56040819

193

Pos	Part no.	Qty	Description
1	56003039	4	SCR HEX LOC 1/4 20 X .50
2	56009048	4	NUT WING LOC 1/4 20
3	56305875	2	BRACKET PREFILTER
4	56305887	1	GRID WELDMENT

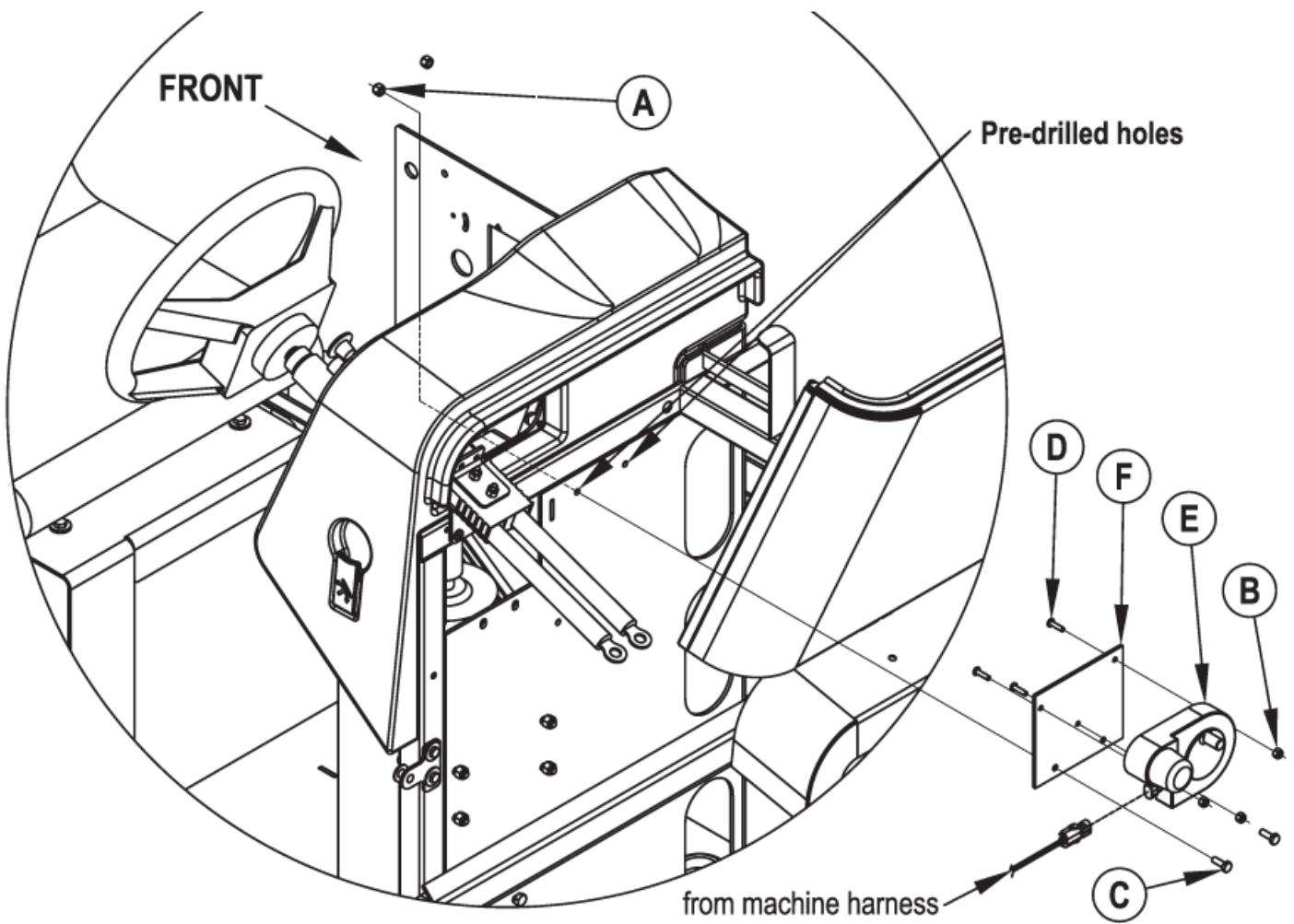
56303362 - Trouble Lamp Kit

CR 1100B / 1200B

23-11-2012

Part List ID
IS56040821

194



56303362 - Trouble Lamp Kit

CR 1100B / 1200B

23-11-2012

Part List ID
IS56040821

195

Pos	Part no.	Qty	Description
A	56002708	2	NUT HEX NYL LOC 1/4 20
B	56002768	3	NUT HEX NYL LOC 10 24
C	56002155	2	SCR HEX 1/4 20 X .75
D	56002192	3	SCR PAN PHIL 10 24 X .75
E	56303354	1	TROUBLE LAMP 36V
F	56303361	1	BRACKET TROUBLE LAMP

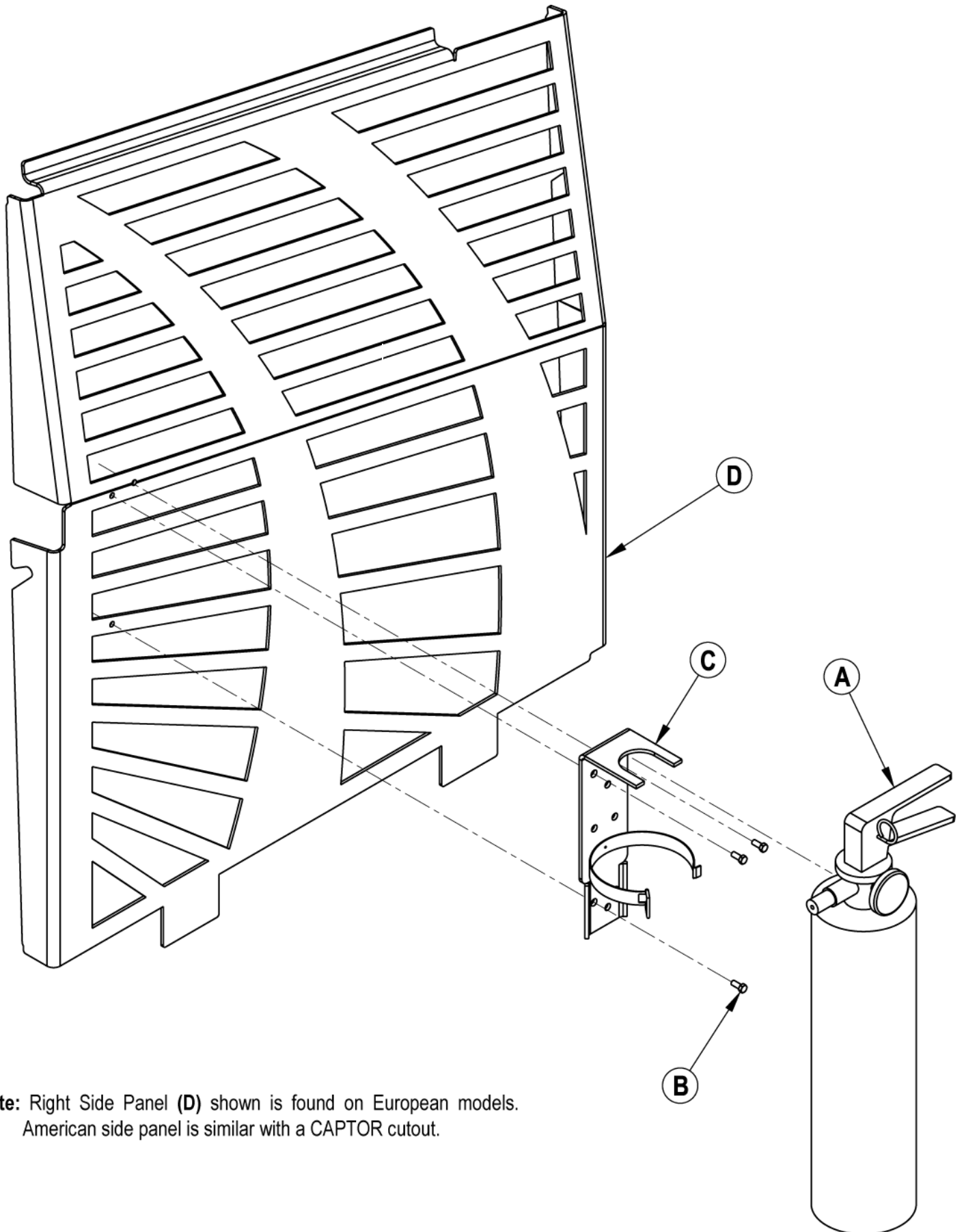
56303431 - Fire Extinguisher Kit

CR 1100B / 1200B

23-11-2012

Part List ID
IS56040826

196



Note: Right Side Panel (D) shown is found on European models.
American side panel is similar with a CAPTOR cutout.

56303431 - Fire Extinguisher Kit

CR 1100B / 1200B

23-11-2012

Part List ID
IS56040826

197

Pos	Part no.	Qty	Description
A	8-83-04033	1	FIRE EXTINGUISHER 2 1/2 POUND
B	56009019	3	SCR HEX THD FORM 1/4 20X .38

56303445 - Main Broom Belt Kit

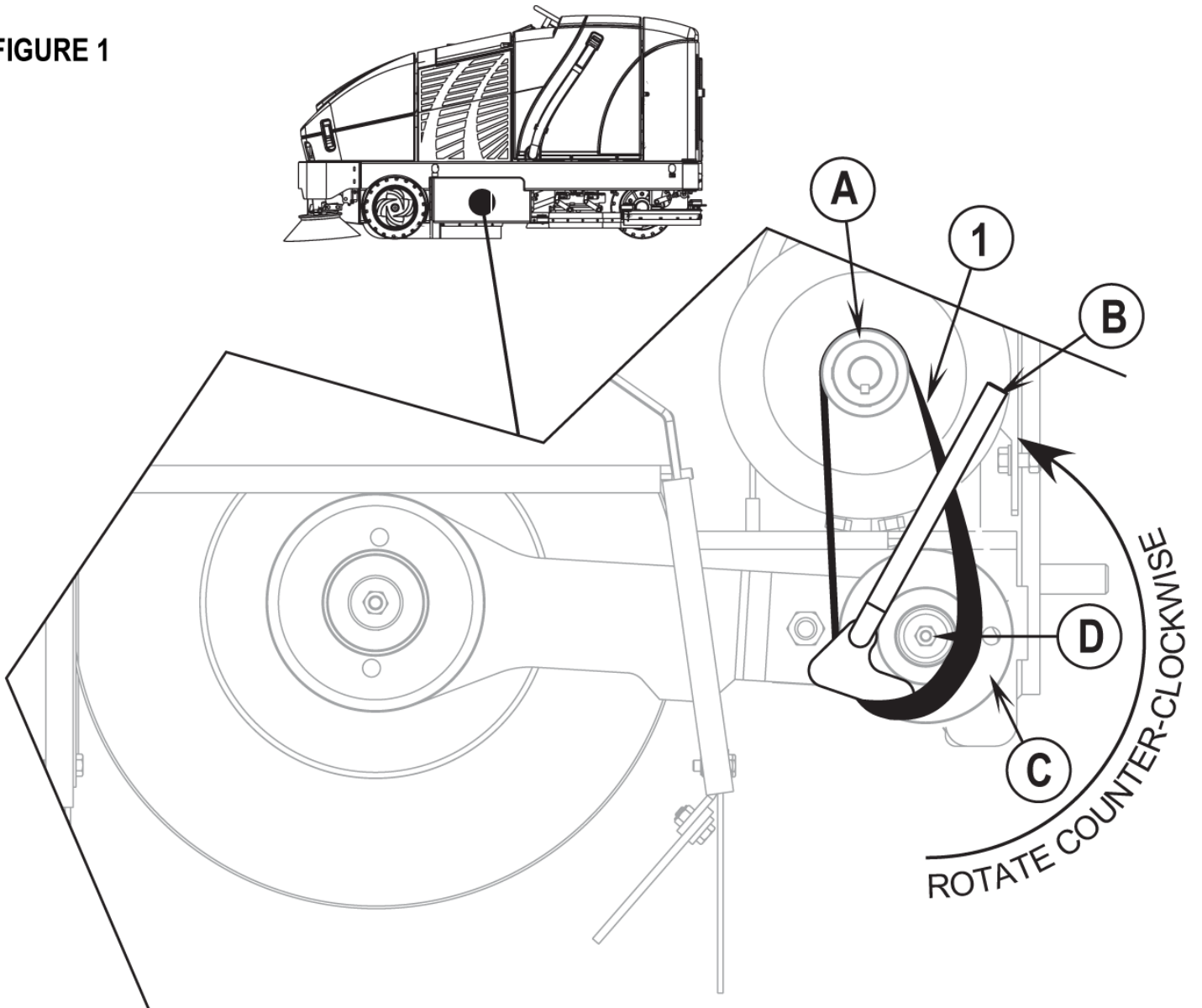
CR 1100B / 1200B

23-11-2012

Part List ID
IS56040832FIG1

198

FIGURE 1



56303445 - Main Broom Belt Kit

CR 1100B / 1200B

23-11-2012

Part List ID
IS56040832F-IG1

199

NOTE: Autotension Belt Tool 56303264 is required to install this kit.

56303445 - Main Broom Belt Kit

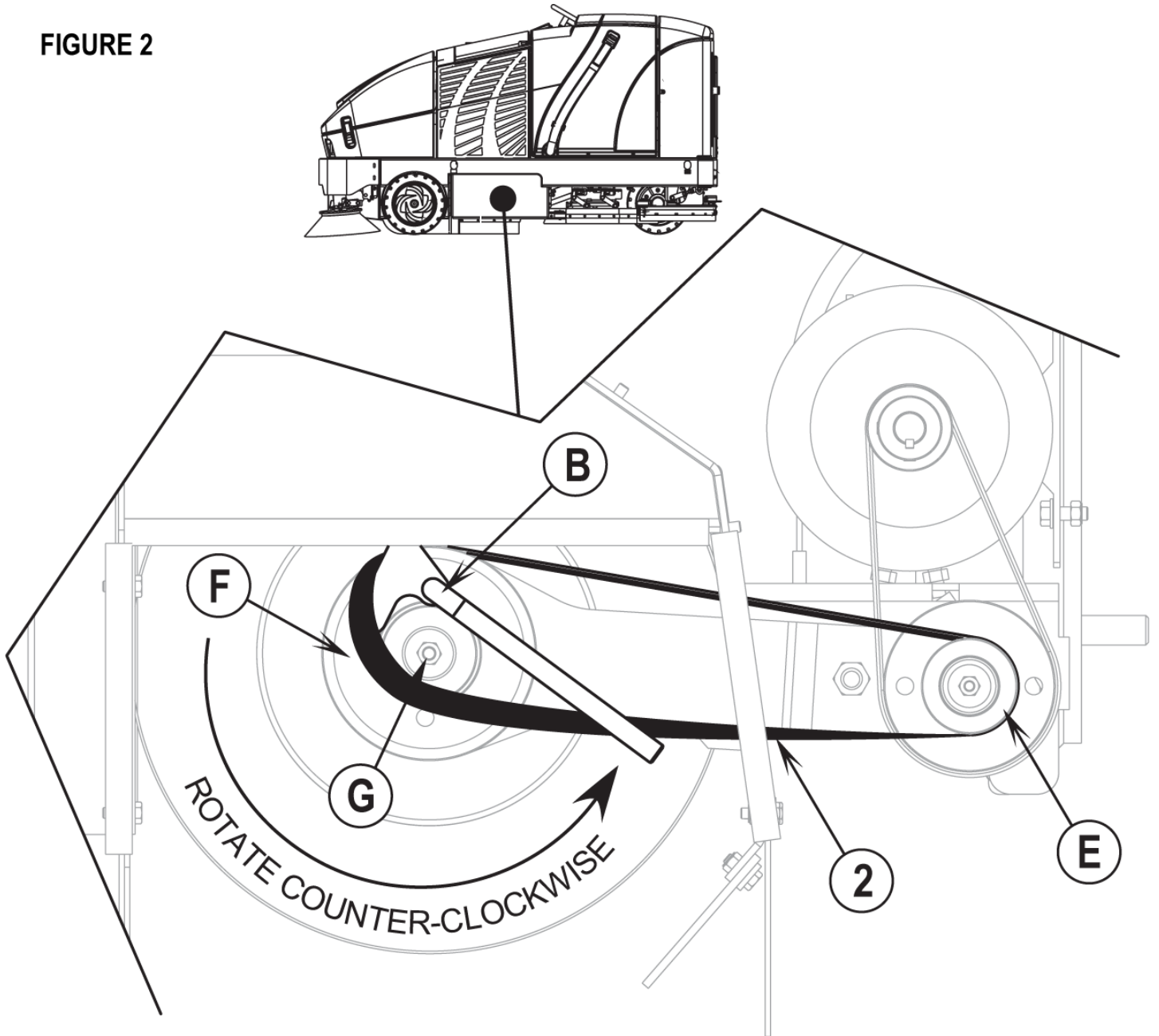
CR 1100B / 1200B

23-11-2012

Part List ID
IS56040832FIG2

200

FIGURE 2



56303445 - Main Broom Belt Kit

CR 1100B / 1200B

23-11-2012

Part List ID
IS56040832F-IGZ

201

NOTE: Autotension Belt Tool 56303264 is required to install this kit.

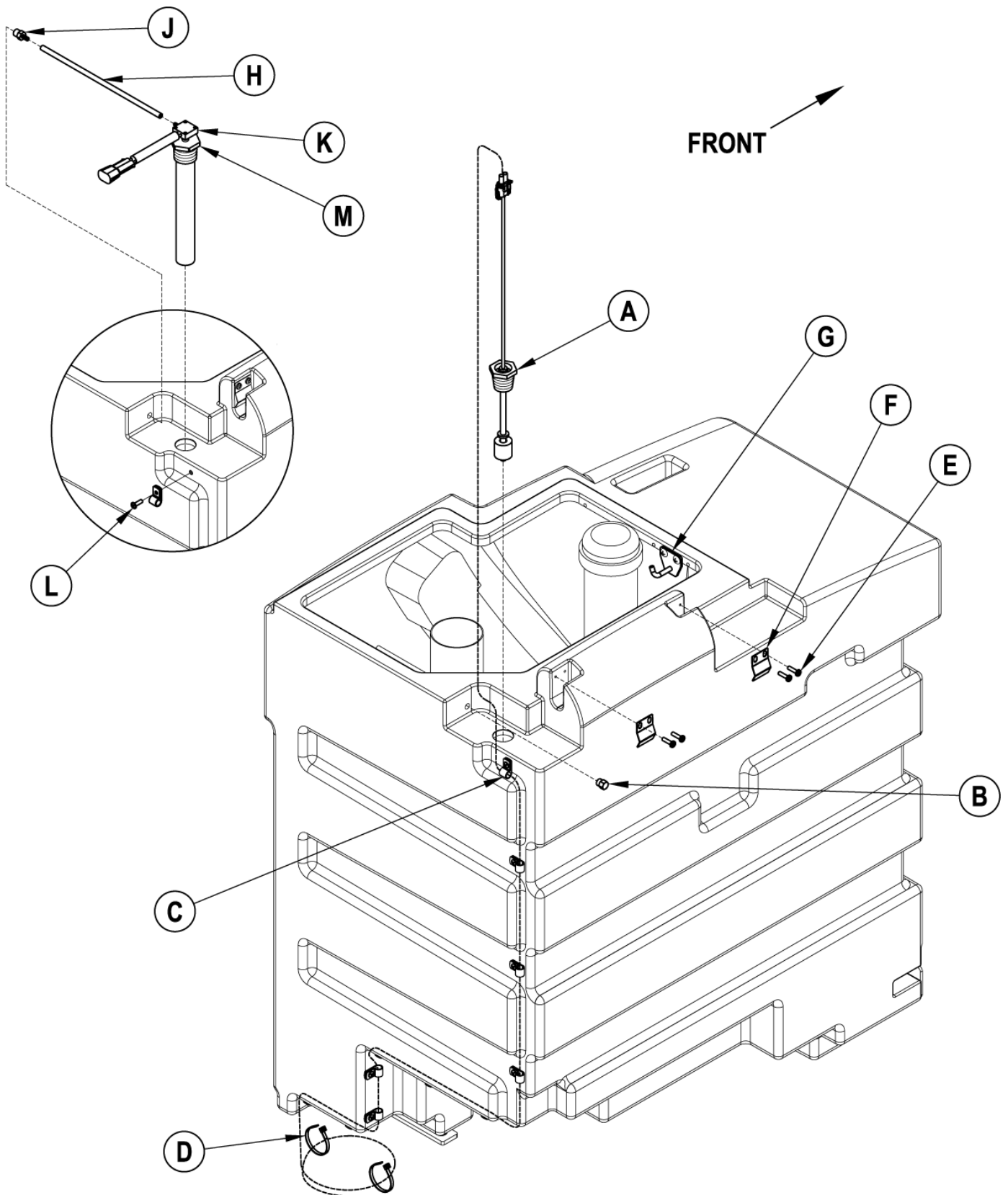
56305978 - Liquid Level Switch

CR 1100B / 1200B

23-11-2012

Part List ID
IS56040842

202



Note: 80 gallon recovery tank is shown, 60 gallon tank is similar.

56305978 - Liquid Level Switch

CR 1100B / 1200B

23-11-2012

Part List ID
IS56040842

203

Pos	Part no.	Qty	Description
A	56305977	1	SWITCH LIQUID LEVEL
B	2-00-03778	1	HEX HD 1/8 NPT PLUG
C	56220507	13	CLAMP CABLE .187 E00129
D	56478246	2	CABLE TIE E00549 RE438BA

56303572 - Cleanout Kit

CR 1100B / 1200B

23-11-2012

Part List ID
IS56040860

205

Pos	Part no.	Qty	Description
A	56459302	1	COVER
B	56459303	1	GASKET DOOR
C	56459312	1	PLATE
D	56002491	16	NUT HEX NYL LOC SS 1/4 20
E	56002938	2	WSH FLT SAE SS 5/16
F	56002957	4	SCR PAN PHIL SS 1/4 20 X .75
G	56003067	12	SCR. PAN PHIL. SS 1/4 20 1.00
H	56003208	2	SCR PAN PHIL SS 5/16 18 X 1.50
J	56303568	1	FRAME WELDMENT
K	56396254	2	KNOB
L	56900737	16	WASHER SEALING E00256
M	56303578	1	GASKET BASE

56303579 - OH Guard Beacon Kit

CR 1100B / 1200B

23-11-2012

Part List ID
IS56040863

207

Pos	Part no.	Qty	Description
1	56002124	6	SCREW10 24 X .62 PNH PH
2	56002768	6	NUT HEX NYL LOC 10 24
3	56009043	3	SCR PAN PHIL THD FORM10 24X.75
4	56172017	7	P CLIP E00129
5	56307166	1	BEACON ASSEMBLY
6	56307165	1	HARNESS BEACON
7	56307171	1	CONDUIT
8	56478246	2	CABLE TIE E00549 RE438BA

56307221 - Recovery Inlet Seal Kit

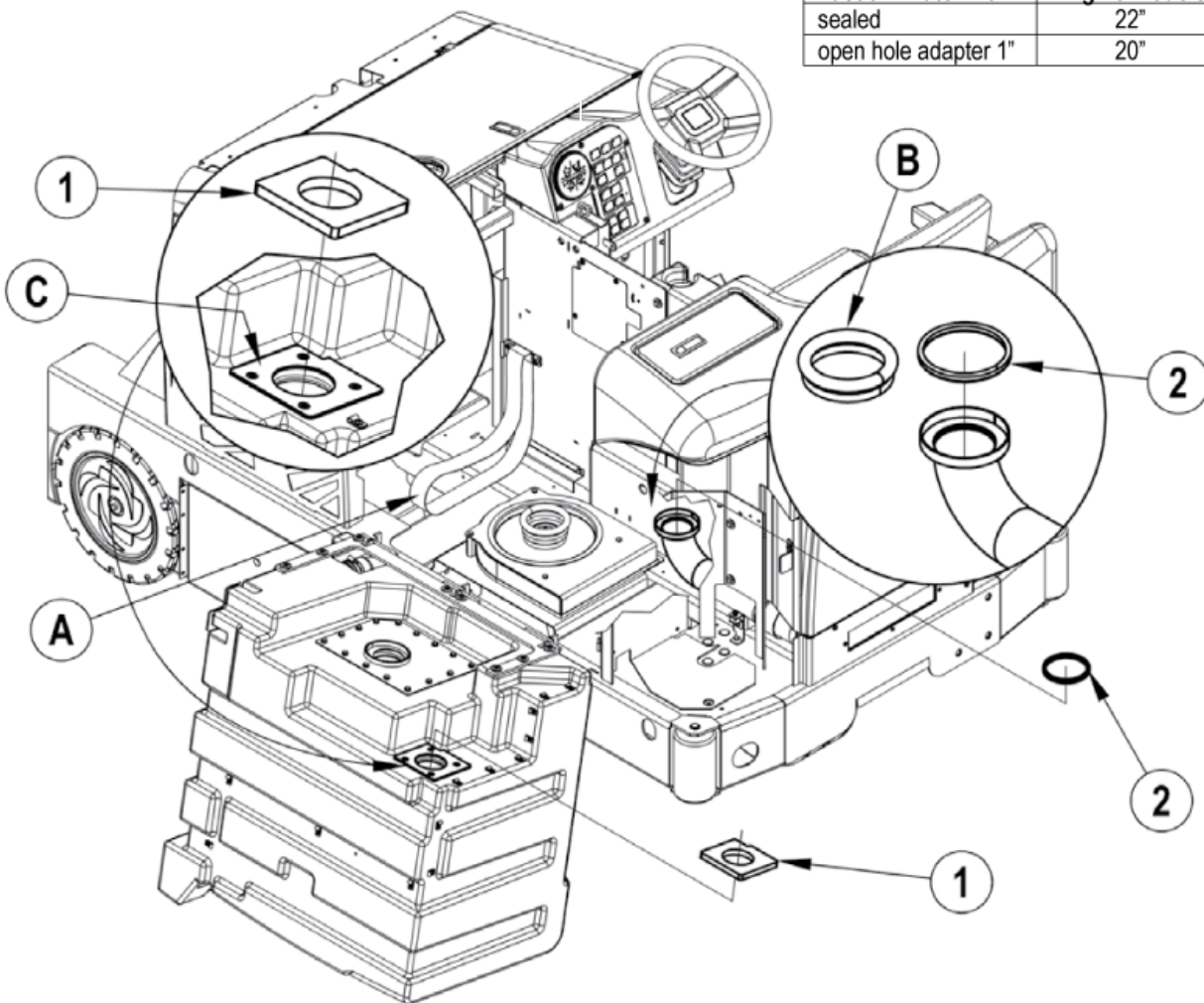
CR 1100B / 1200B

23-11-2012

Part List ID
IS56040903

208

Vacuum water lift	Engine models	Battery models
sealed	22"	72"
open hole adapter 1"	20"	6.3"



56307221 - Recovery Inlet Seal Kit

CR 1100B / 1200B

23-11-2012

Part List ID
IS56040903

209

Pos	Part no.	Qty	Description
1	56307219	1	GASKET FOAM
2	56307220	1	TRIM EDGE

56306145 - Chemical Injection Kit 36VDC

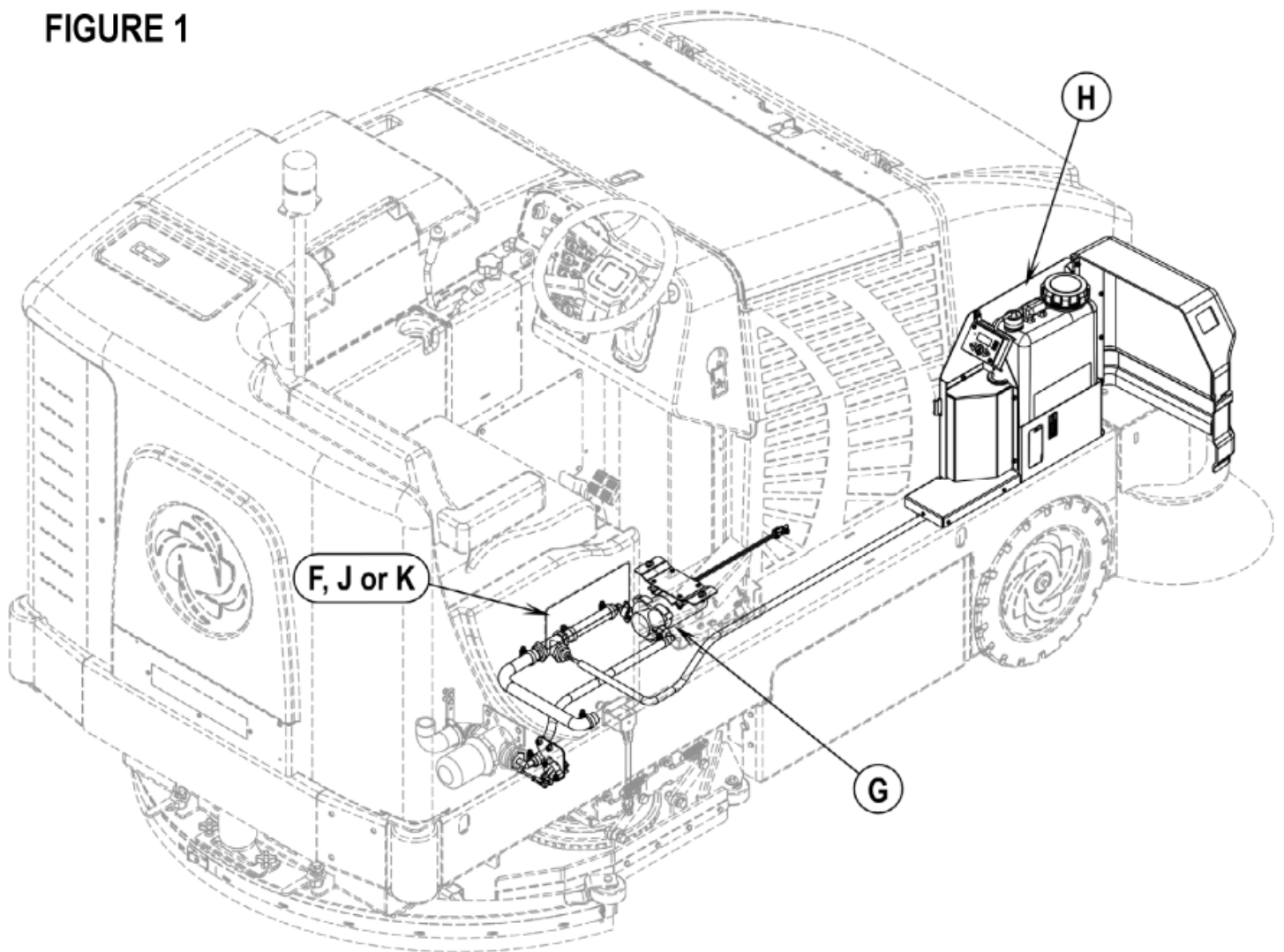
CR 1100B / 1200B

23-11-2012

Part List ID
IS56040942FIG1

210

FIGURE 1



56306145 - Chemical Injection Kit 36VDC

CR 1100B / 1200B

23-11-2012

Part List ID
IS56040942F-IG1

211

Pos	Part no.	Qty	Description
B	56009039	1	SCR HEX THD FORM 10 24X .50
C	56051474	1	CLAMP. P. E00129
D	56303589	1	DECAL CIRCUIT BREAKER
E	56303588	1	PLATE CIRCUIT BREAKER MOUNT
G	56306160	1	PUMP ASSY 36 VDC
H	56306197	1	CONTROL BOX ASSY 36V
I	56306167	1	HARNESS BATTERY CAPTOR AXP
J	56306179	2	DECAL CR1200 EDS
K	56306180	2	DECAL CR1400 EDS
L	56459367	1	BOOT RESET BUTTON E00585
M	56387316	1	CIRCUIT BREAKER 10A
N	56305232	1	GASKET
O	56459825	1	BUSHING REDUCER E00148

NOTE: Refer to Main parts list for complete list of replacement parts.

56306145 - Chemical Injection Kit 36VDC

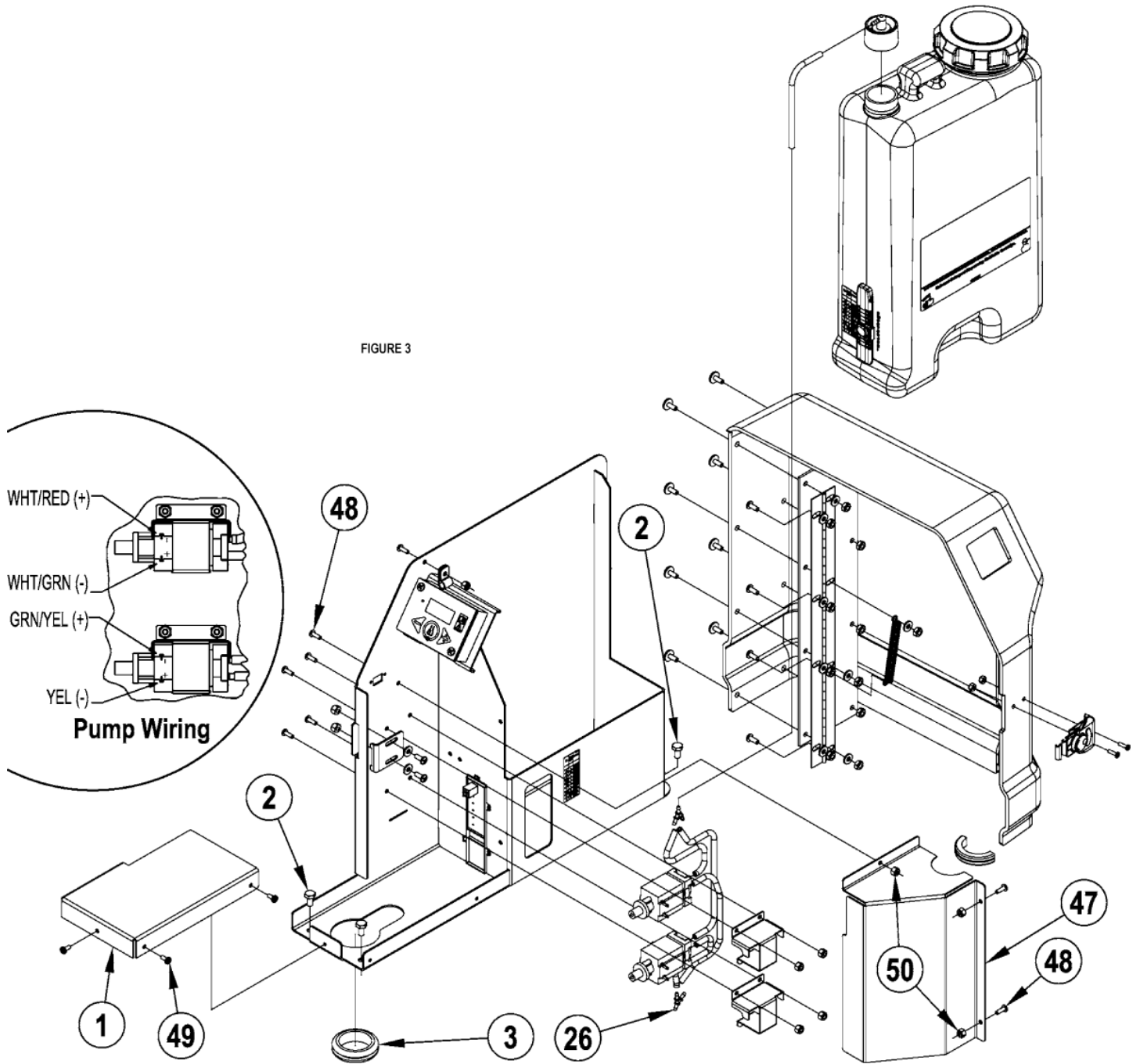
CR 1100B / 1200B

23-11-2012

Part List ID
IS56040942FIG3

212

FIGURE 3



56306145 - Chemical Injection Kit 36VDC

CR 1100B / 1200B

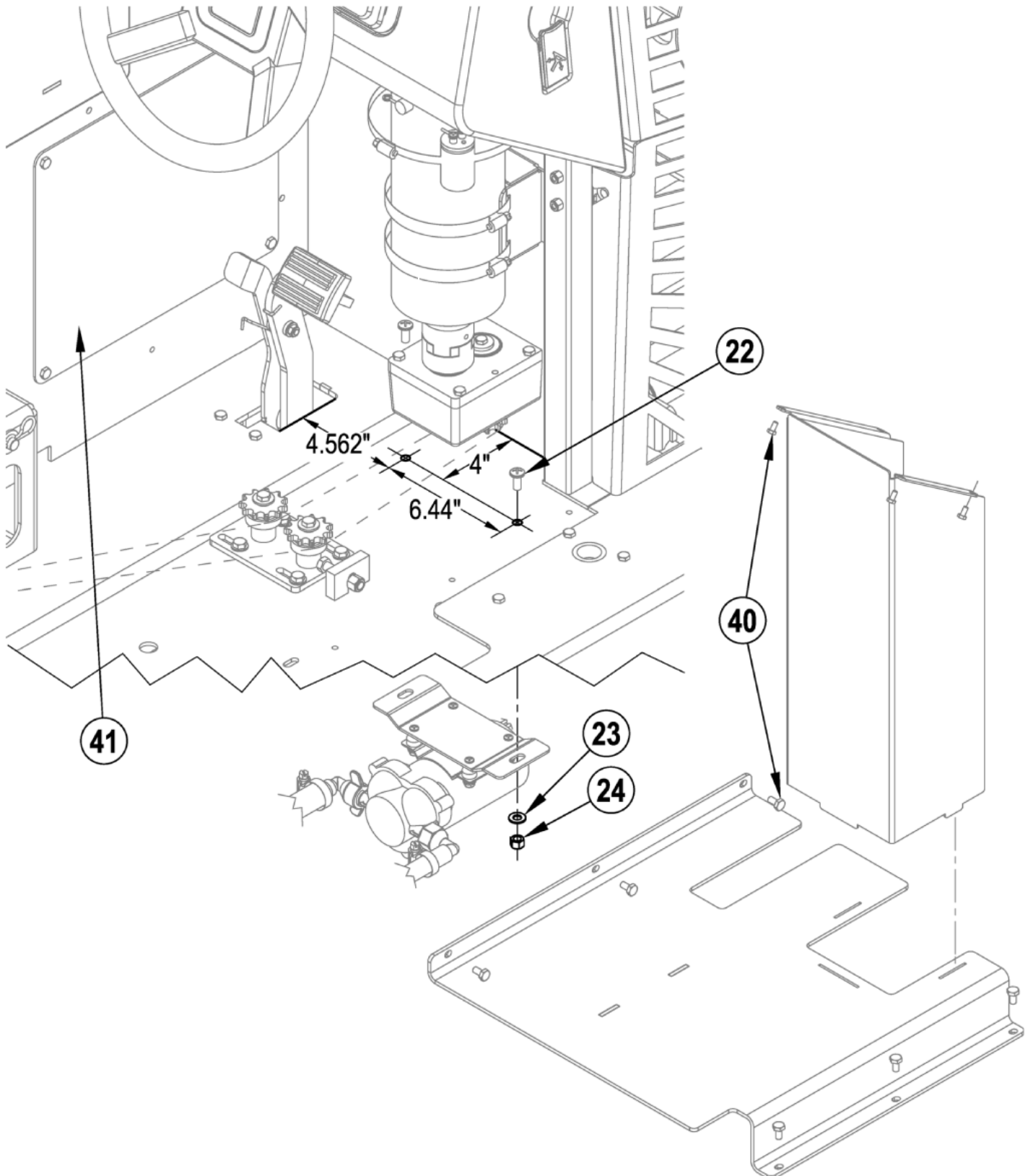
23-11-2012

Part List ID
IS56040942F-IG3

213

Pos	Part no.	Qty	Description
1	56306148	1	COVER
2	56009033	4	SCR HEX THD FORM 1/4 20X.50
3	56054715	1	GROMMET E00059
47	56306198	1	PUMP COVER
48	56002003	8	SCR PAN PHIL 8 32 X .50
49	56002523	3	SCR PAN HD PHIL HP5 8 32 X .38
50	56002808	8	NUT HEX NYL LOC 8 32

FIGURE 5



56306145 - Chemical Injection Kit 36VDC

CR 1100B / 1200B

23-11-2012

Part List ID
IS56040942F-IG5

215

Pos	Part no.	Qty	Description
22	56002793	2	SCR PAN PHIL 5/16 18 X .75
23	56001939	2	WSH FLT SAE 5/16
24	56002701	2	NUT HEX NYL LOC 5/16 18

56306145 - Chemical Injection Kit 36VDC

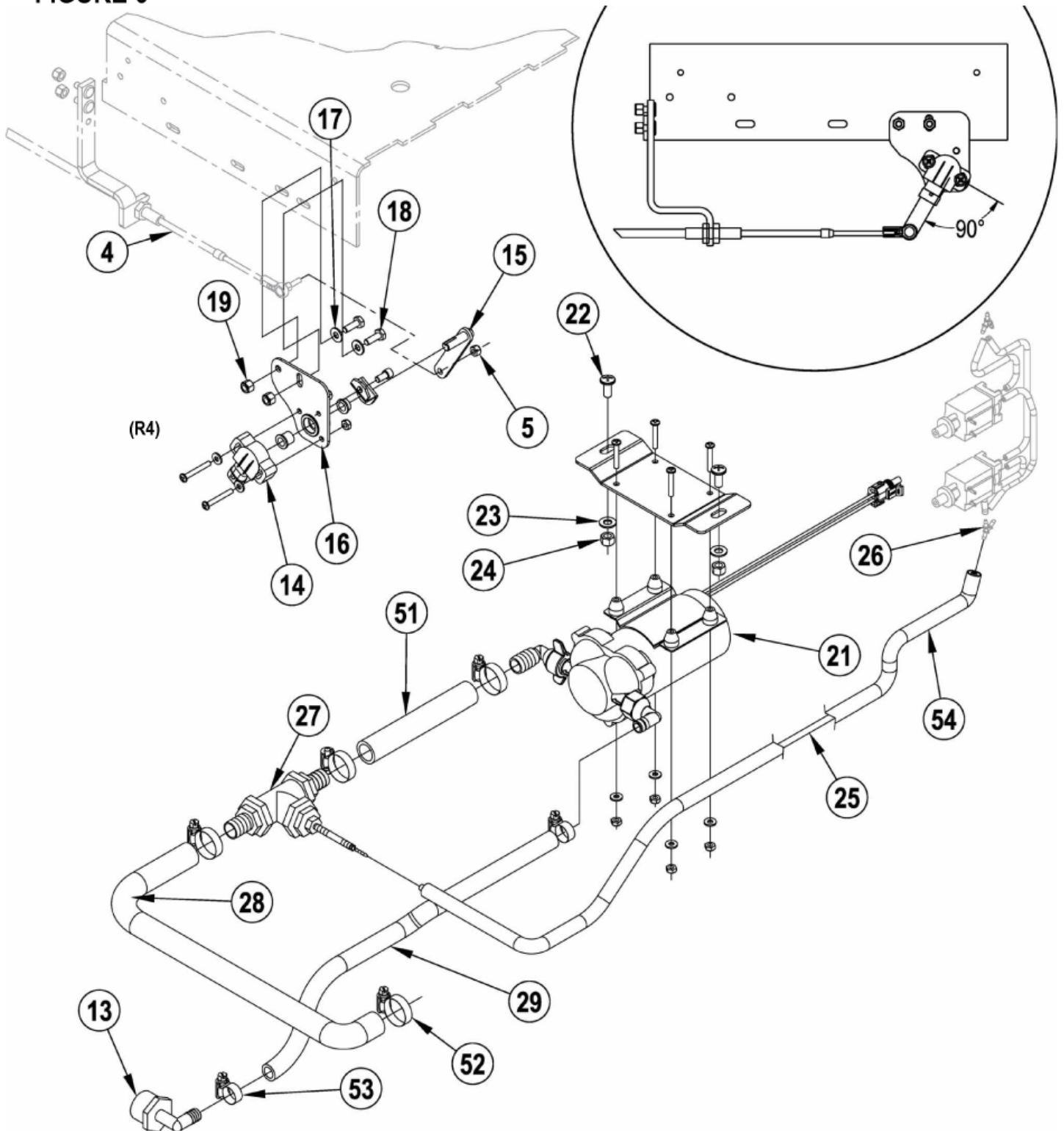
CR 1100B / 1200B

23-11-2012

Part List ID
IS56040942FIG6

216

FIGURE 6



56306145 - Chemical Injection Kit 36VDC

CR 1100B / 1200B

23-11-2012

Part List ID
IS56040942F-IG6

217

Pos	Part no.	Qty	Description
13	56900245	1	BARB ELBOW E00037
14	56303313	1	ROTARY SENSOR NO SPRING
15	56306129	1	CONTROL ARM WELDT
16	56306165	1	PIVOT SENSOR WELT
17	56002098	2	WSH FLT SAE 1/4
18	56002155	2	SCR HEX 1/4 20 X .75
19	56002708	2	NUT HEX NYL LOC 1/4 20
22	56002793	2	SCR PAN PHIL 5/16 18 X .75
23	56001939	2	WSH FLT SAE 5/16
24	56002701	2	NUT HEX NYL LOC 5/16 18
25	56314942	1	HOSE CHEM RESISTANT
27	56306194	1	TEE ASSEMBLY
28	56305591	1	HOSE SPIRAL .750 E00605
29	56412277	1	SOLUTION HOSE E00604
51	56305762	1	HOSE SPIRAL E00605
52	56244969	4	CLAMP HOSE SAE 12 E00047
53	56219932	2	CLAMP HOSE SAE 6 E00047
54	56306168	1	CONDUIT SOLUTION HOSE 44LG

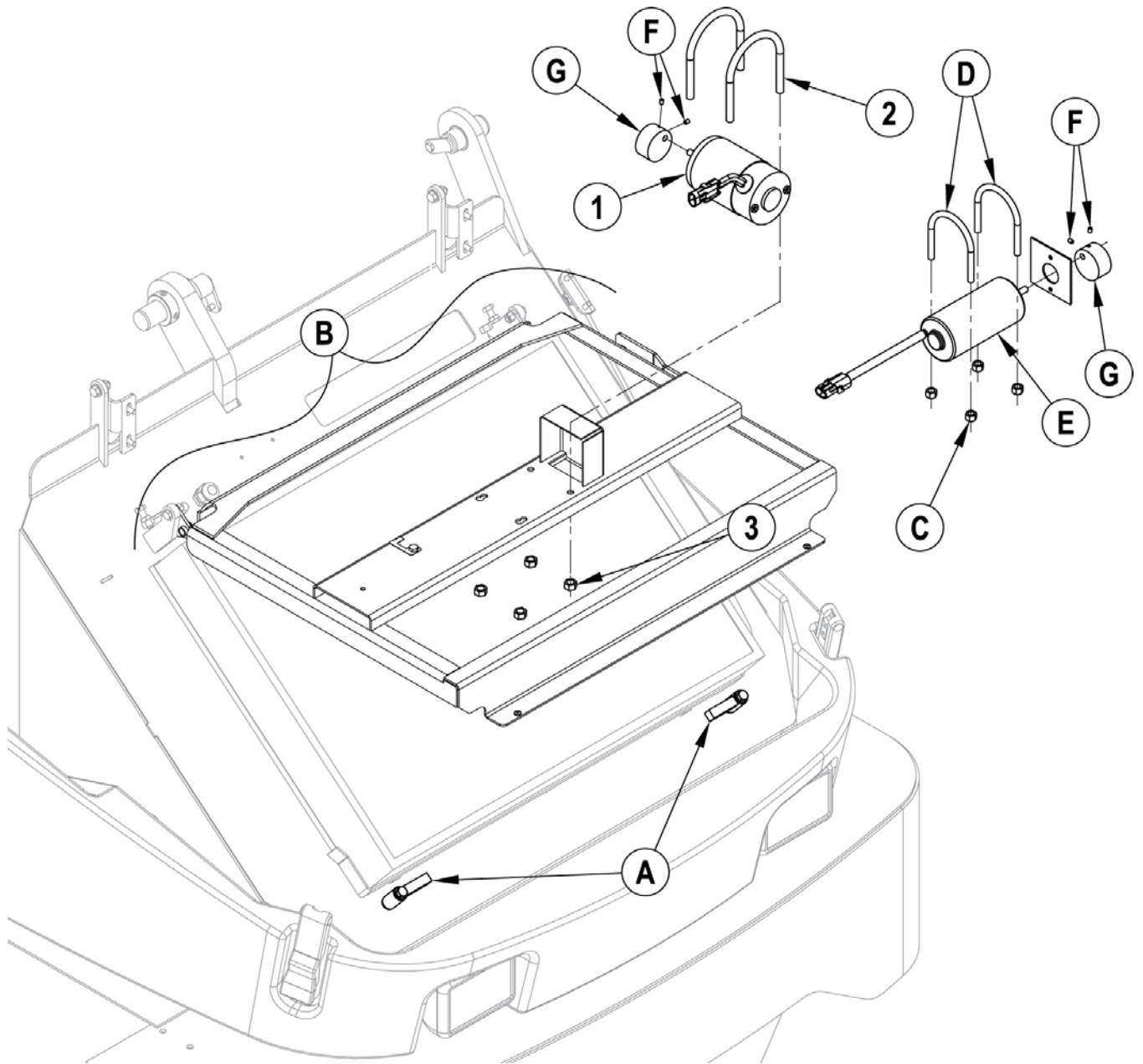
56508773 Shaker Motor Kit

CR 1100B / 1200B

23-11-2012

Part List ID
IS56040963

218



56508773 Shaker Motor Kit

CR 1100B / 1200B

23-11-2012

Part List ID
IS56040963

219

Pos	Part no.	Qty	Description
1	56508664	1	MOTOR 12VDC
2	56508888	2	U BOLT 3/8 16 X 3.13 ID
3	56002841	4	NUT HEX NYL LOC THIN 3/8 16

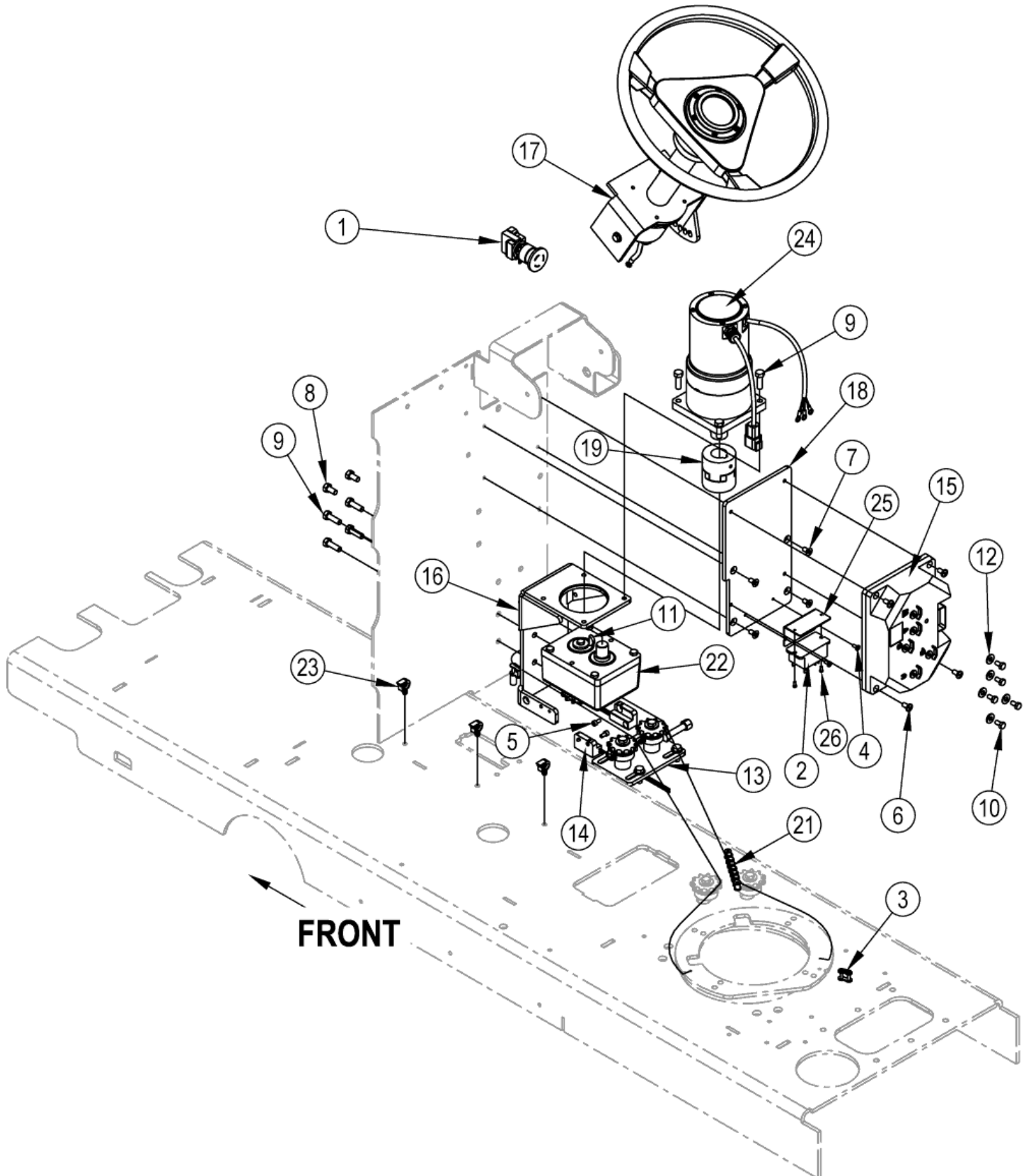
56380500 - SBW Steering Kit

CR 1100B / 1200B

23-11-2012

Part List ID
IS56040997

220



56380500 - SBW Steering Kit

CR 1100B / 1200B

23-11-2012

Part List ID
IS56040997

221

Pos	Part no.	Qty	Description	
1	56407130	1	DISCONNECT EMERGENCY	
2	40892A	1	RELAY DPDT 36VDC	
3	56445096	1	LINK CONNECTOR 40 CV491W 1	
4	56001818	2	SCR PAN PHIL 8 32 X .38	
5	56002087	2	SCR SOC HD 10 24 X .38	
6	56002828	4	SCR PAN PHIL LOC 1/4 20 X .6	
7	56002921	4	SCR FLT PHIL LOC 1/4 20 x .50	
8	56002929	2	SCR HEX LOC 5/16 18 X .62	
9	56003073	8	SCR HEX LOC 5/16 18 X 1.00	
10	56003155	5	SCR HEX M6 1.0 X 12MM	
11	56003228	1	KEY WDF 606	
12	56009064	5	WSH INT SHPRF 1/4	
13	56303108	1	TENSIONER ASSEMBLY	
14	56305053	2	SENSOR PROXIMITY	
15	56510729	1	CONTROLLER STEERING	
16	56380392	1	BRACKET MOTOR	
17	56380395	1	STEERING UPPER SBW ASSEMBLY	
18	56380407	1	PLATE MOUNT AC DRIVER	
19	56380408	1	COUPLING ASSEMBLY	
20	56380426	1	STEER BY WIRE HARNESS	
21	56380442	1	CHAIN ASSEMBLY	
22	56380448	1	STEERING GEARBOX ASSEMBLY	
23	56507793	3	CLIP CONDUIT	
24	56380406	1	MOTOR STEERING 36V	
25	56510991	1	BRACKET RELAY	
27	56477613	3	CABLE TIE E00549 RE409S	NOT SHOWN
28	56478246	3	CABLE TIE E00549 RE438BA	NOT SHOWN
29	56469384	1	RECEPTACLE TAB .250	NOT SHOWN
30	56469382	1	TERM. 250 INS. TAB	NOT SHOWN