

BA451/BA451D/BA531/BA 531D

Model:

BA 451

BA 451 D

BA 531

BA 531 D



Part List English

13-05-2011

Table of Contents

BA451/BA451D/BA531/BA 531D

Solution tank	3
Recovery tank	5
Chassis system	7
Wheels and traction	9
Handle assembly - BA 451 D - 531 D	11
Solution system	13
Squeegee system	15
Brush system - BA 451 - BA 531	17
Brush system - BA 451 D - BA 531 D	19
Accessories brushes	21
Control panel system - BA 451 - 531	23
Control panel system - BA 451 D - 531 D	25
Electrical components - BA 451 - 531	27
Electrical components - BA 451 D - 531 D	29
Accessories Extra pressure-Splash guards	31
Accessories Battery Charger	33
Accessories Ecoflex system	35
Wiring diagram - BA 451 - 531	37
Wiring diagram - BA 451 D - 531 D	39
Recommended spare parts 1	41
Recommended spare parts 2	43
Optionals	45
Wiring diagram - BA 451 D - 531 D REV.C	47

Solution tank

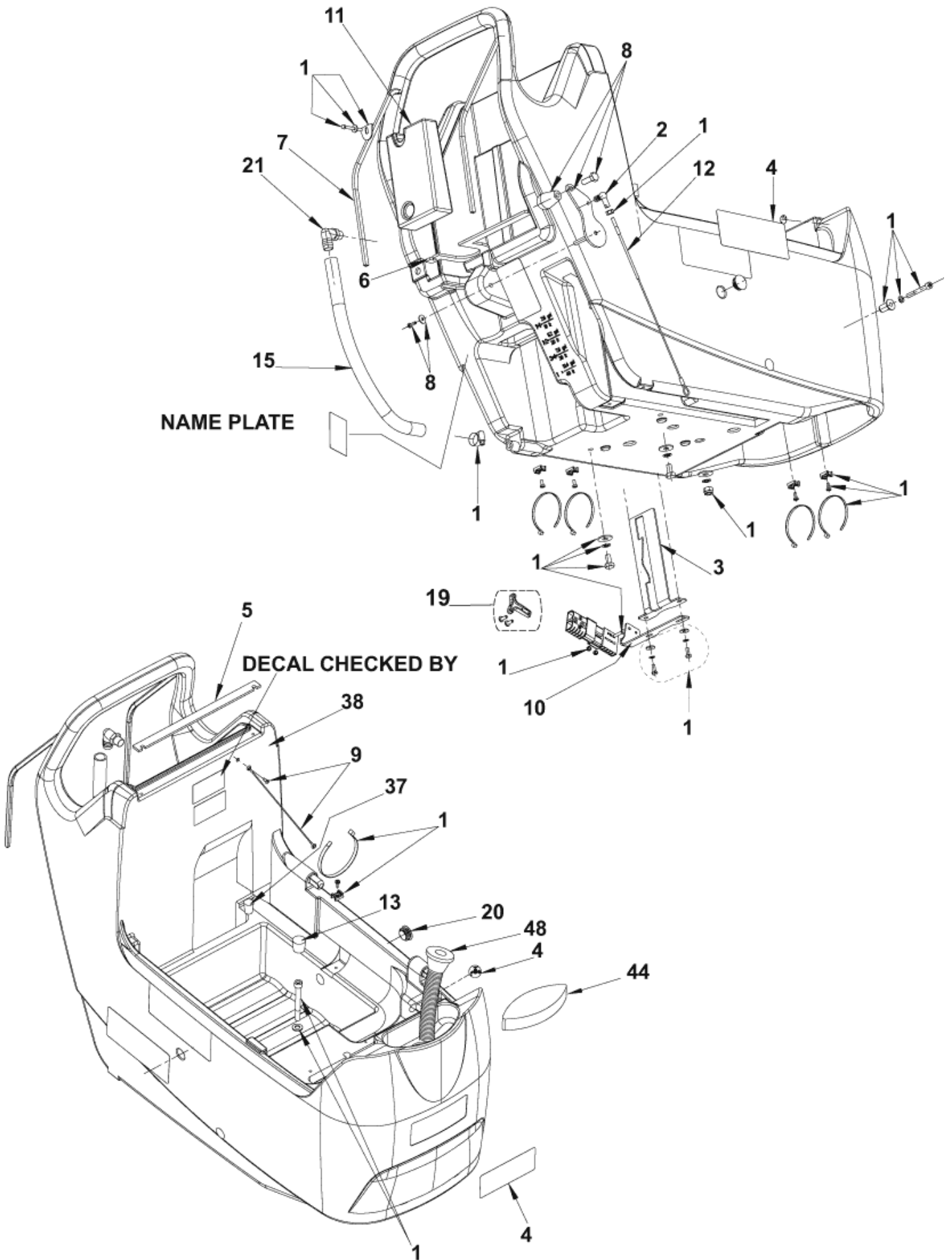
BA451/BA451D/BA531/BA 531D

13-05-2011

Part List ID

E18315

3



Solution tank

BA451/BA451D/BA531/BA 531D

13-05-2011

Part List ID

E18315

4

Pos	Part no.	Qty	Description		EAN
0	9096999000	1	PLATE PEDAL BRACKET	ONLY FOR BA 531 D J	5711140131
1	9098265000	1	HARDWARE SOLUTION		7319519676
3	909 6550 000	1	SUPPORT. PEDAL		5711140128
4	9097771000	1	DECALS KIT		5711140135
5	909 6596 000	1	GASKET		5711140129
6	909 6597 000	1	GASKET		5711140129
7	909 6892 000	2	GASKET L 960		5711140131
8	9097630000	1	LEVER KIT		5711140134
9	909 6874 000	1	cable tank kit		5711140130
10	909 6649 000	1	BRACKET CONNECTOR SUPPORT		5711140129
11	909 6841 000	1	WEIGHT		5711140130
12	9098673000	1	CABLE SQUEEGEE KIT	TSB IT 2010-053 - INST. INSTR. 9098672000	7319519678
13	909 6673 000	1	CAP BLACK BP6		5711140129
15	909 6681 000	1	HOSE CLEAN WATER		5711140129
19	1464116000	1	HANDLE RED PLASTIC SB 120		7319519677
20	L08812457	2	CAP TANK		5711140018
21	56264442	1	ELBOW BARB E00037		5711144037
37	909 6236 000	1	CAP BLACK		5711140126
38	909 6320 000	1	TANK SOLUTION 35 LT		5711140127
44	909 6650 000	1	SPONGE FOR WATER		5711140129
48	9097290000	1	HOSE FILLING	OPTION	5711140133

POSITION 12 9098673000 includes also position 2.

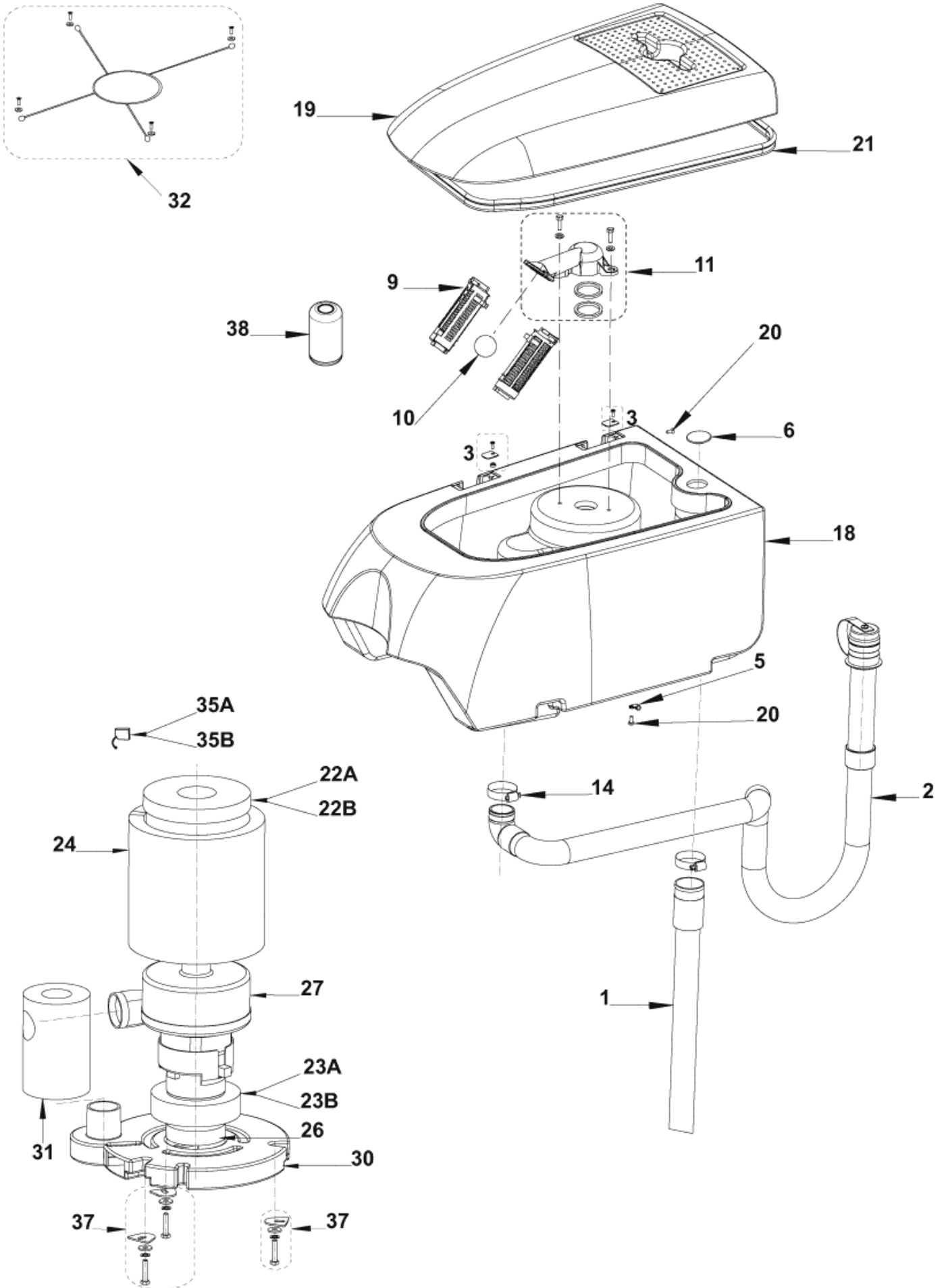
Recovery tank

BA451/BA451D/BA531/BA 531D

13-05-2011

Part List ID
E18319

5



Recovery tank

BA451/BA451D/BA531/BA 531D

13-05-2011

Part List ID
E18319

6

Pos	Part no.	Qty	Description		EAN
0	909 6876 000	1	HARDWARE TANK SYSTEM KIT	FOR OLD CAGE SUPPORT	5711140130
1	909 6230 000	1	HOSE, VACUUM		5711140126
2	909 6528 000	1	HOSE, DRAIN		5711140128
3	9097654000	1	TANK FIXING KIT		5711140135
5	L08603845	1	Clamp, cable		5711140015
6	909 6899 000	1	CAP TANK		5711140131
9	L08812259	2	Float cage complete		5711140017
10	L08812373	1	Float ball		5711140018
11	9097681000	1	CAGE FLOAT HOLDER	TSB IT 2008-009 - INST.INSTR.9097680000	5711140135
14	145 0543 000	2	Clamp 14/32-52		5711140023
18	909 6321 000	1	TANK RECOVERY 35 LT		5711140127
19	909 6322 000	1	COVER.TANK 35 LT		5711140127
20	909 6337 000	2	SCREW M5X12 UN17 NEW ARTICLE		5711140127
21	909 6901 000	1	GASKET L 1640		5711140131
24	909 6491 000	1	PANEL ACOUSTIC INSULATION		5711140128
26	909 6672 000	1	FILTER		5711140129
27	9098062000	1	MOTOR VACUUM KIT		5711140139
30	909 6051 000	1	MOTOR COVER		5711140125
31	909 6442 000	1	PIPE ACOUSTIC INSULATION		5711140128
32	909 6734 000	1	BAND, RUBBER KIT	OPTION	5711140130
37	909 6877 000	1	HARDWARE, FIXING KIT		5711140130
38	909 5065 000	1	FILTER	TSB IT 2008-002 - OPTIONAL	5711140120
22A	9096918000	1	GASKET VACUUM MOTOR		5711140131
22B	9098055000	1	GASKET VACUUM MOTOR	FOR NEW MOTOR 9098062000	5711140139
22B	9098057000	1	GASKET VACUUM MOTOR		5711140139
23A	909 6490 000	1	GASKET VACUUM MOTOR		5711140128
23B	9098056000	1	GASKET VACUUM MOTOR		5711140139
35A	909 5371 000	2	CARBON BRUSH		5711140122
35B	9098231000	1	CARBON BRUSH KIT 2PCS		5711140139

A: FOR OLD MOTOR 909 6802 000

B: FOR NEW MOTOR 9098062000

Chassis system

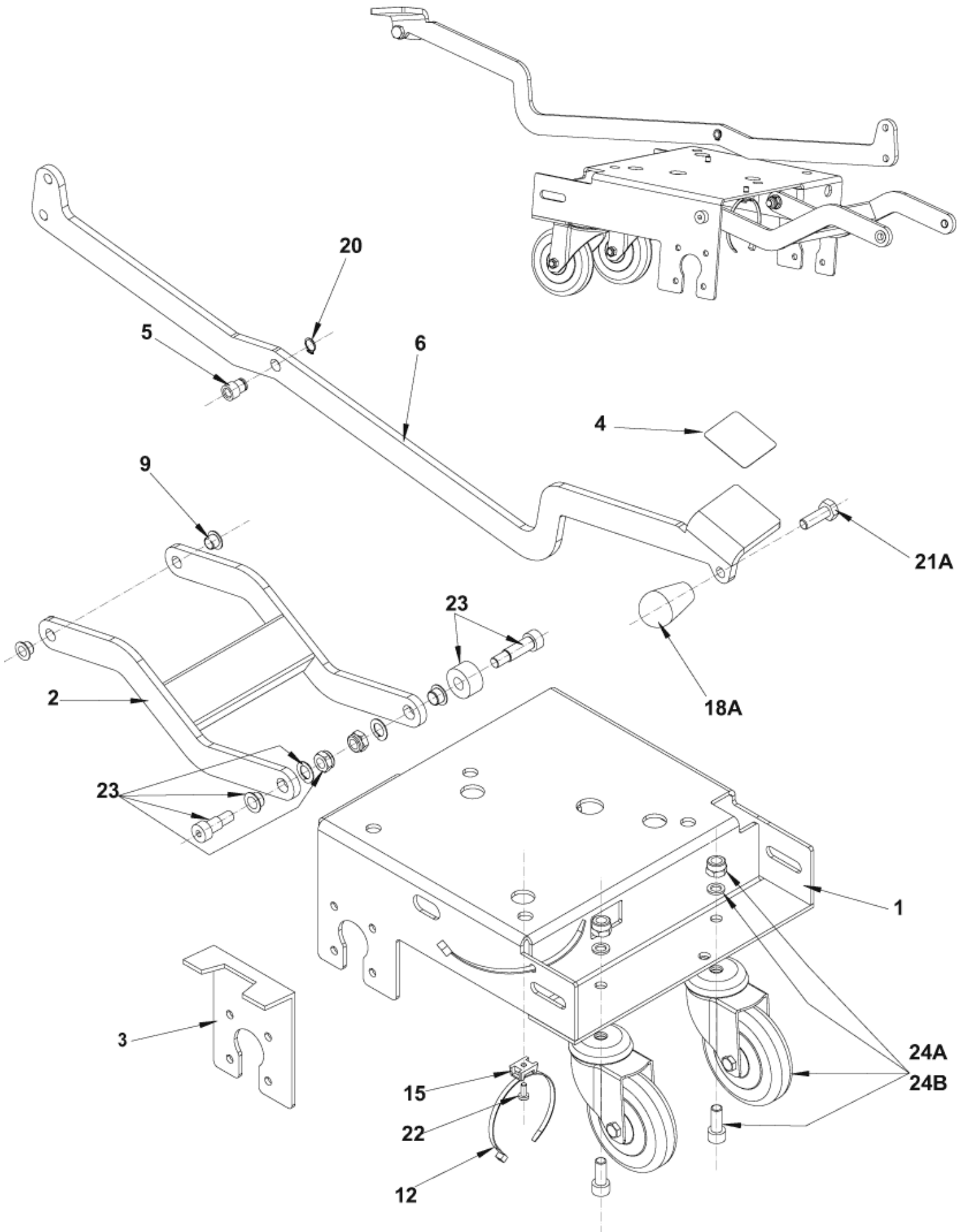
BA451/BA451D/BA531/BA 531D

13-05-2011

Part List ID

E183111

7



Chassis system

BA451/BA451D/BA531/BA 531D

13-05-2011

Part List ID

E183111

8

Pos	Part no.	Qty	Description	EAN
1	909 6482 000	1	CHASSIS 35 LT	5711140128
2	909 6486 000	1	LEVER BRUSH DECK LIFTING	5711140128
3	9098587000	1	SUPPORT LEFT FOR WATERTANK KIT	7319519678
			INST.INSTR.9098588000 ONLY FOR DRIVE VERSIONS	
4	909 6539 000	1	MAT.ANTISKID	5711140128
5	909 6540 000	1	BUSH FLANGED	5711140128
6	909 6549 000	1	PEDAL, BRUSH LIFTING	5711140128
9	909 6594 000	3	BUSH FLANGED	5711140129
12	145 0524 000	2	BLACK CLAMP 4,8X200	5711140023
15	909 6595 000	1	HOLDER.FLAT TIE	5711140129
20	33006051	1	RING D 12 UN7435	5711140067
22	909 6337 000	1	SCREW M5X12 UN17 NEW ARTICLE	5711140127
23	909 6878 000	1	HARDWARE CHAS. FIXING KIT	5711140130
24	9098619000	2	WHEEL CASTOR D.100 PU SS KIT	7319519678
18A	909 6621 000	1	KNOB	5711140129
21A	33004010	1	SCREW M10X30 UN15739	5711140062

A: ONLY FOR BA 451 D / BA 531 D

B: ONLY FOR BA 451 / BA 531

Wheels and traction

BA451/BA451D/BA531/BA 531D

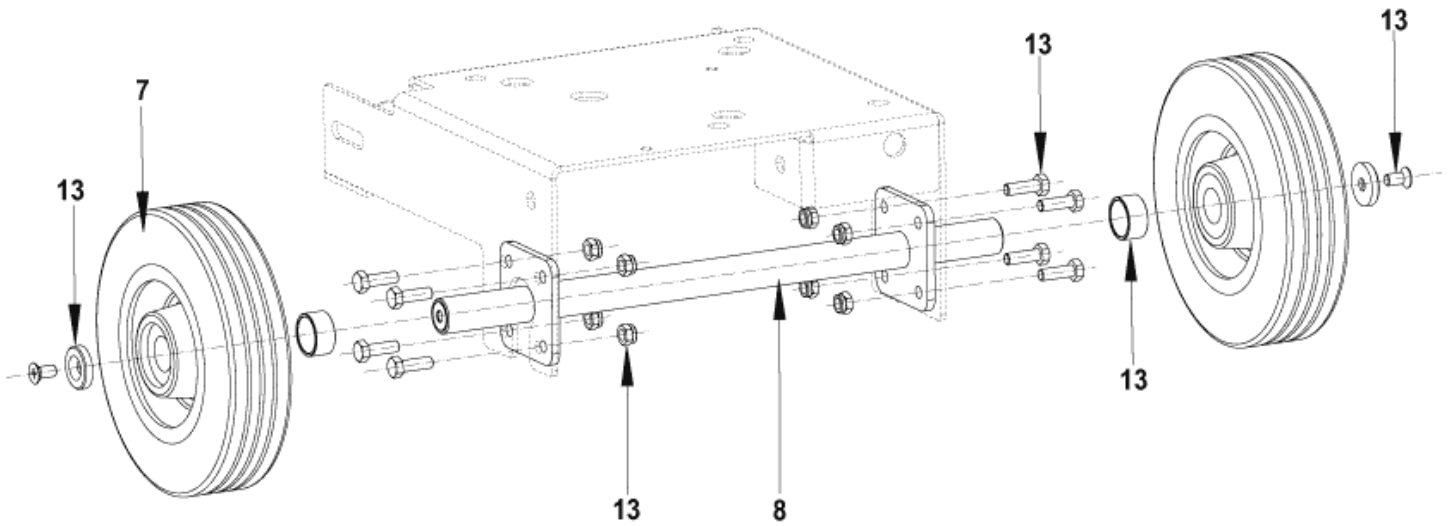
13-05-2011

Part List ID

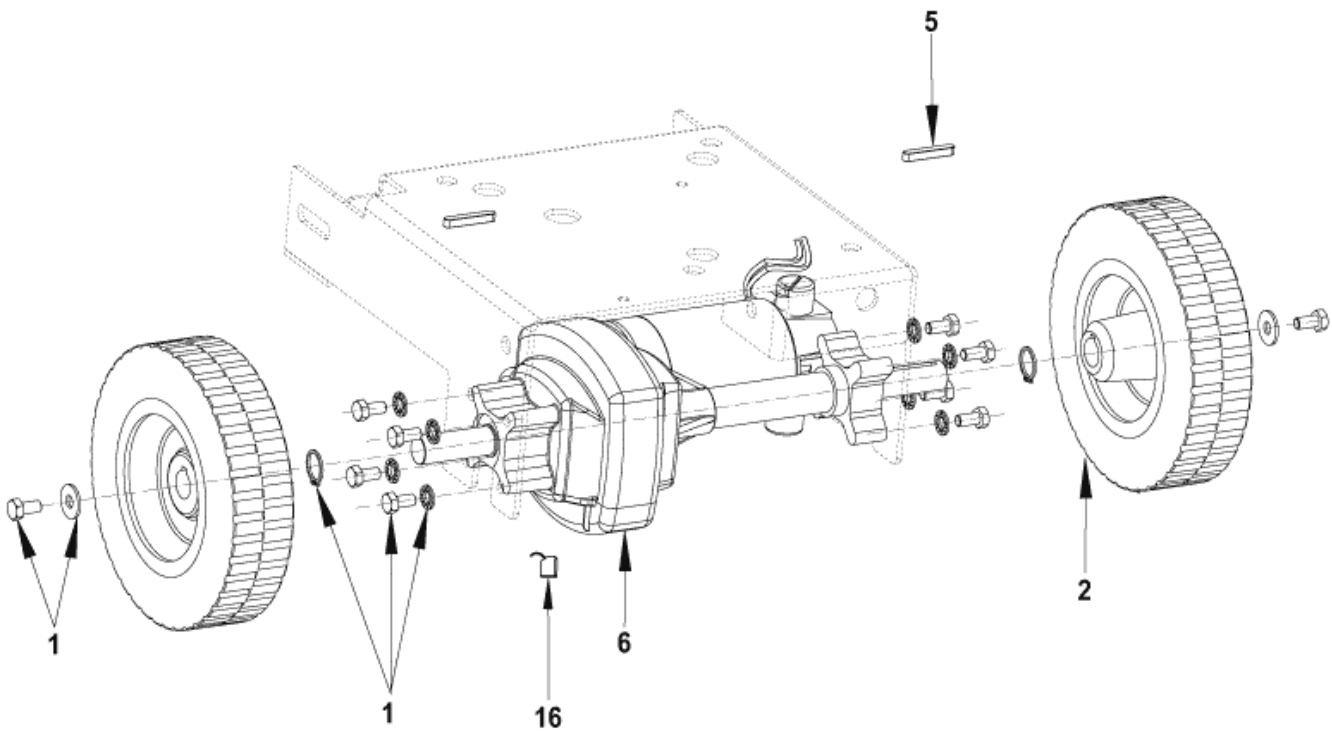
E183113

9

SENZA TRAZIONE / WITHOUT TRACTION (BA 451 / BA 531)



CON TRAZIONE / WITH TRACTION (BA 451 D / BA 531 D)



Wheels and traction

BA451/BA451D/BA531/BA 531D

13-05-2011

Part List ID
E183113

10

Pos	Part no.	Qty	Description	EAN
1	9098298000	1	HARDWARE DRIVE WHEELS KIT	7319519676
2	9097032000	2	WHEEL FRONT D.200 65SH	5711140132
			OPTION	
2	9099204000	2	WHEEL POLY65 D.200X50	7319519685
5	146 0769 000	2	Pin 6x6x40	5711140033
6	909 6548 000	1	MOTOR DRIVE 200W 24V	5711140128
7	909 6507 000	2	WHEEL FRONT D200	5711140128
7	9097167000	2	WHEEL FRONT D.200 65 SH	5711140132
			OPTION	
8	909 6508 000	1	SHAFT WHEELS	5711140128
13	9098299000	1	HARDWARE WHEELS KIT	7319519676
16	145 5124 000	2	CARBON BRUSH	5711140027

Handle assembly - BA 451 D - 531 D

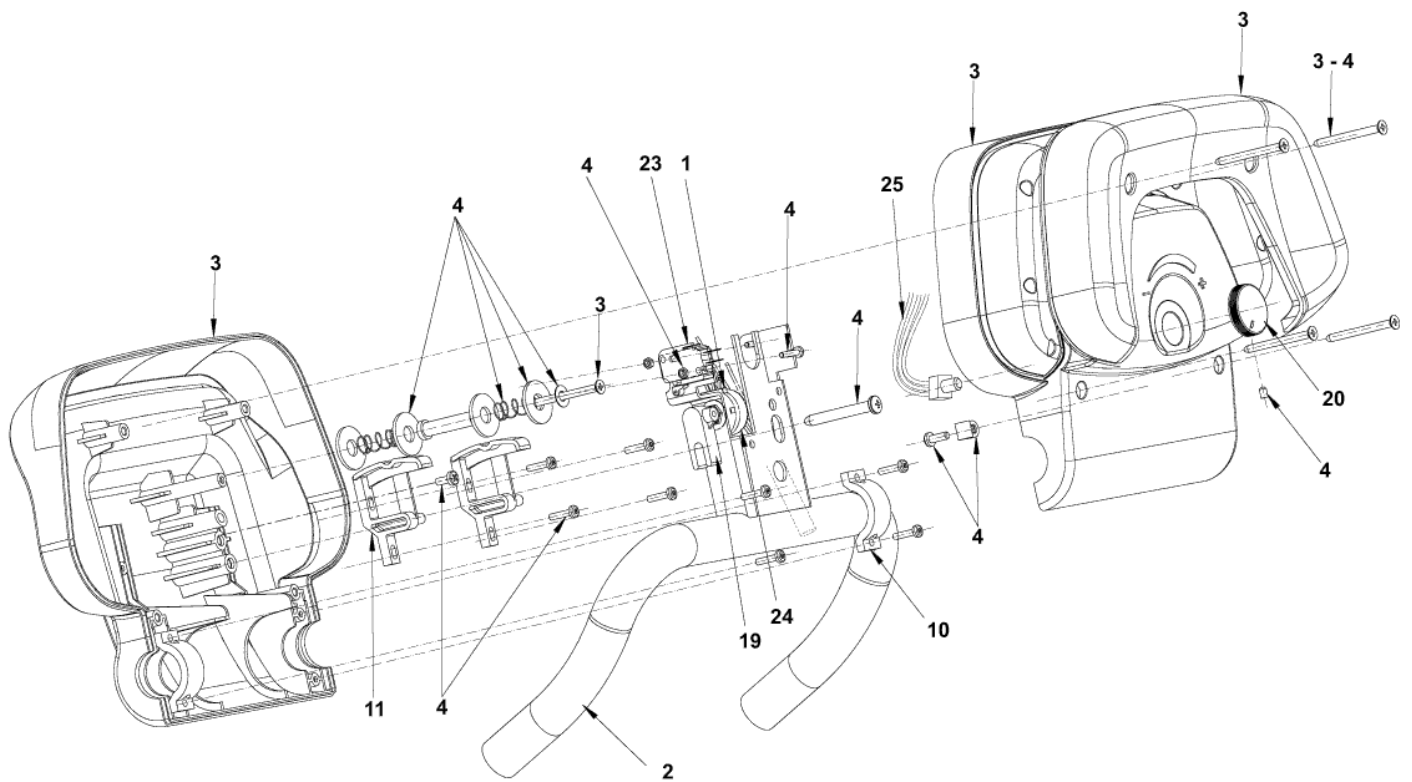
BA451/BA451D/BA531/BA 531D

13-05-2011

Part List ID

E183115

11



Handle assembly - BA 451 D - 531 D

BA451/BA451D/BA531/BA 531D

13-05-2011

Part List ID

E183115

12

Pos	Part no.	Qty	Description	EAN
1	909 6578 000	1	CABLE,HANDLE BAR	5711140128
2	909 6653 000	1	HANDLE BAR	5711140129
3	9097622000	1	COVERS UPPER/LOWER HANDLE KIT	5711140134
4	9098300000	1	HARDWARE HANDLE	7319519676
5	9098792000	1	HOUSING SWITCH	7319519680
			TSB IT 2010-060	
10	L08812279	2	Clamp	5711140017
11	L08812282	2	Cam controller	5711140017
19	909 6038 000	1	ROD, POTENTIOMETER	5711140125
20	909 6471 000	1	KNOB, POTENTIOMETER	5711140128
23	909 6677 000	1	MICROSWITCH	5711140129
24	9098814000	1	POTENTIOMETER 5K 40	7319519681
25	909 6544 000	1	HARNES POTENTIOMETER	5711140128

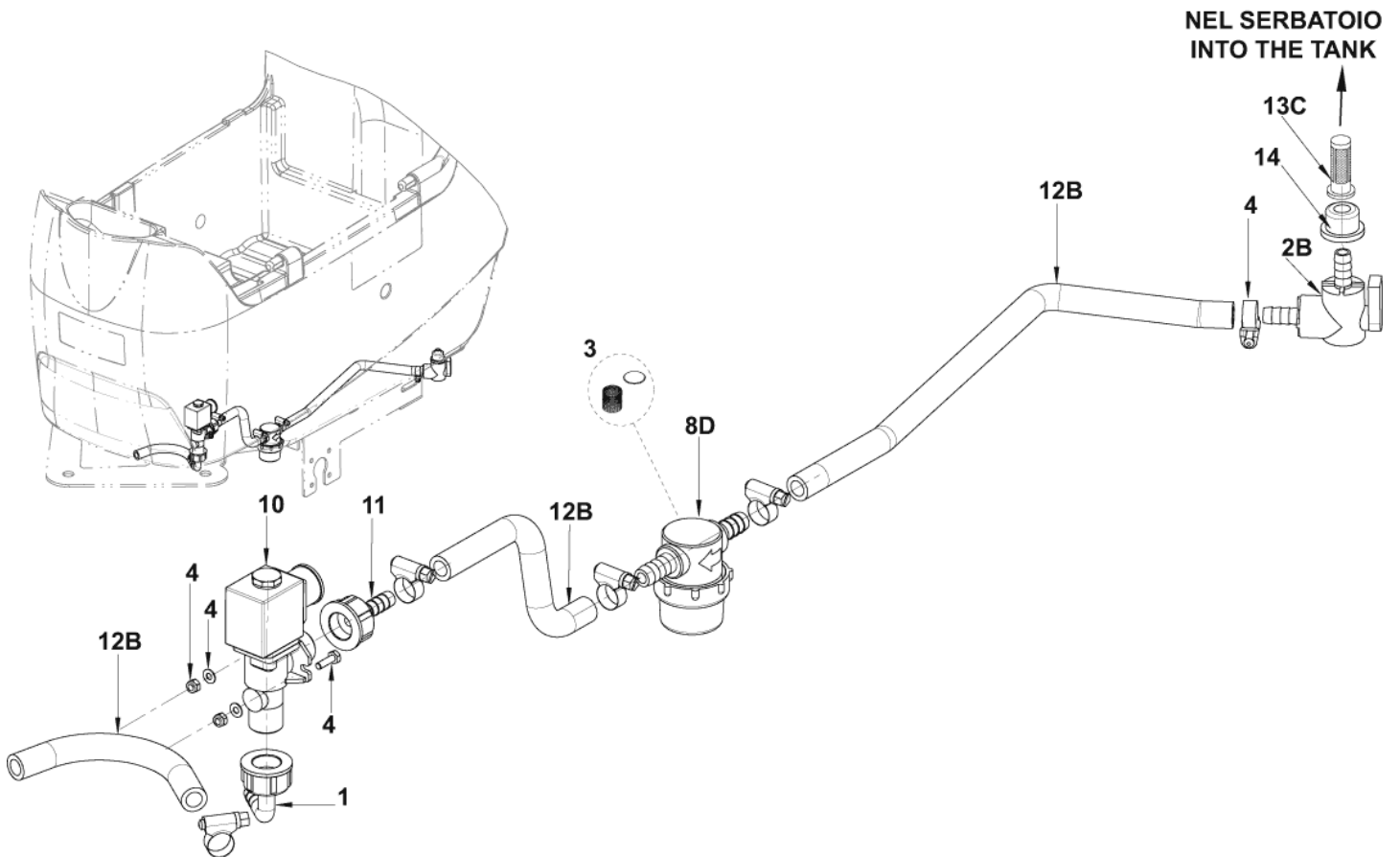
Solution system

BA451/BA451D/BA531/BA 531D

13-05-2011

Part List ID
E183117

13



Solution system

BA451/BA451D/BA531/BA 531D

13-05-2011

Part List ID

E183117

14

Pos	Part no.	Qty	Description	EAN
1	9098777000	1	HOLDER RUBBER 90 GRAD.KIT	7319519678
3	L08603893	1	kit net filter & gasket	5711140016
4	9098301000	1	HARDWARE SOLUTION SYSTEM	7319519676
0B	909 6896 000	1	PIPES SOLENOID VALVE KIT	5711140131
10	909 6555 000	1	SOLENOID VALVE 24V	5711140128
11	909 6636 000	1	HOLDER RUBBER 1/2 FEMALE	5711140129
14	909 5286 000	1	GASKET	5711140122
2B	9096994000	1	VALVE ELBOW	5711140131
8D	9097166000	1	FILTER COMPLETE KIT	5711140132
12B	9096995000	1	VALVE ELBOW W/PIPES KIT	5711140131
13C	9096916000	1	FILTER SOLUTION TANK	OPTION 5711140131

B: TSB IT 2007-027a

C: TSB IT 2007-015

D: TSB IT 2007-021

Squeegee system

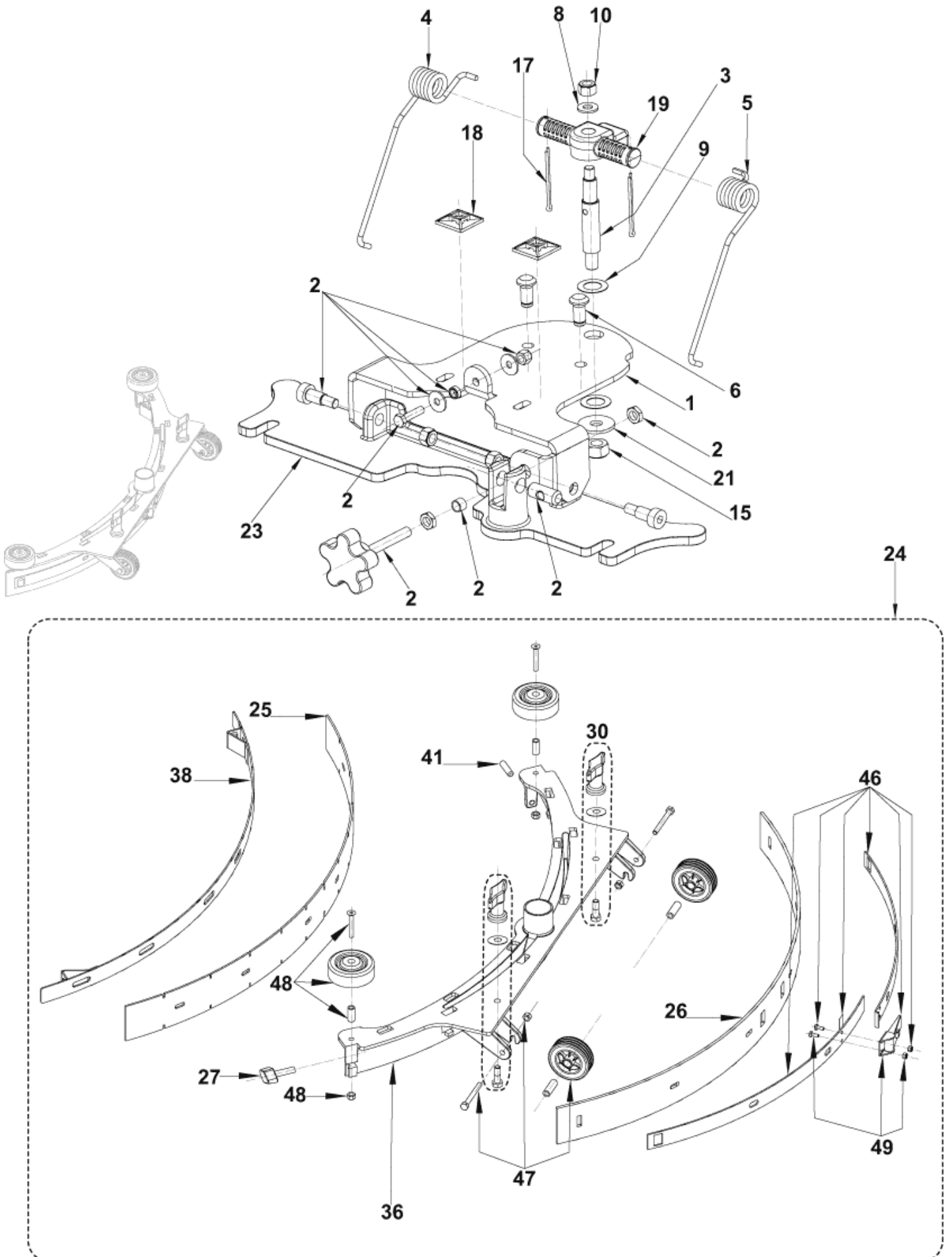
BA451/BA451D/BA531/BA 531D

13-05-2011

Part List ID

E183119

15



Squeegee system

BA451/BA451D/BA531/BA 531D

13-05-2011

Part List ID
E183119

16

Pos	Part no.	Qty	Description		EAN
0	909 6860 000	1	BLADE, STD KIT 30"	INCL.POS.: 25-26	5715492037
0	9097548000	1	WASHER NYLON KIT F.SQUEE SUPPORT	TSB IT 2007-031	5711140134
1	909 6494 000	1	BRACKET, SQUEEGEE SUPPORT		5711140128
2	909 6885 000	1	HARDWARE SQUEEGEE FIXING KIT		5711140131
3	909 6497 000	1	PIN SQUEEGEE		5711140128
4	909 6537 000	1	SPRING,SQUEEGEE PUSHING		5711140128
5	909 6538 000	1	SPRING,SQUEEGEE PUSHING		5711140128
6	909 6543 000	2	PIN, SQUEEGEE FIXING		5711140128
8	33005915	1	WASHER M8 UNI6592		5711140067
9	L08238300	2	Washer C51 transporter		5711140012
10	33005607	3	NUT SELF L. M8 UNI7474		5711140066
15	33005608	1	NUT SELF L.M10UNI7474		5711140066
17	33005758	2	PIN SPLIT 2X32 UNI1336		5711140066
18	909 6635 000	2	HOLDER,FLAT TIE		5711140129
19	909 6052 000	1	SUPPORT,SQUEEGEE SPRING		5711140125
21	L08604251	1	Washer		5711140016
23	909 6045 000	1	SUPPORT, SQUEEGEE		5711140125
24	909 6851 000	1	SQUEEGEE KIT COMPLETE		5715492037
25	909 6483 000	1	BLADE,FRONT		5715492037
26	909 6484 000	1	BLADE,REAR		5715492037
27	909 6551 000	1	KNOB M8X30 SS		5711140128
30	9097637000	2	SQUEEGEE FIXING KIT		5711140134
36	909 6044 000	1	WELDMENT,SQUEEGEE TOOL		5711140125
38	909 6055 000	1	STRAP,SQUEEGEE FRONT		5711140125
41	909 6600 000	1	SCREW GRUB M8X30 UNI5929		5711140129
46	909 6882 000	1	HARDWARE SQU.BLADE FIXING		5711140130
47	909 6883 000	2	WHEEL SQUEEGEE KIT		5711140131
48	909 6884 000	2	ROLLER BUMPER SQUEEG. KIT		5711140131
49	909 6394 000	1	LATCH SQUEEGEE KIT		5711140127

Brush system - BA 451 - BA 531

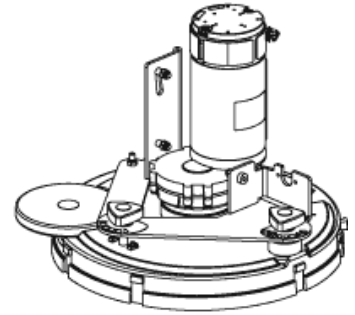
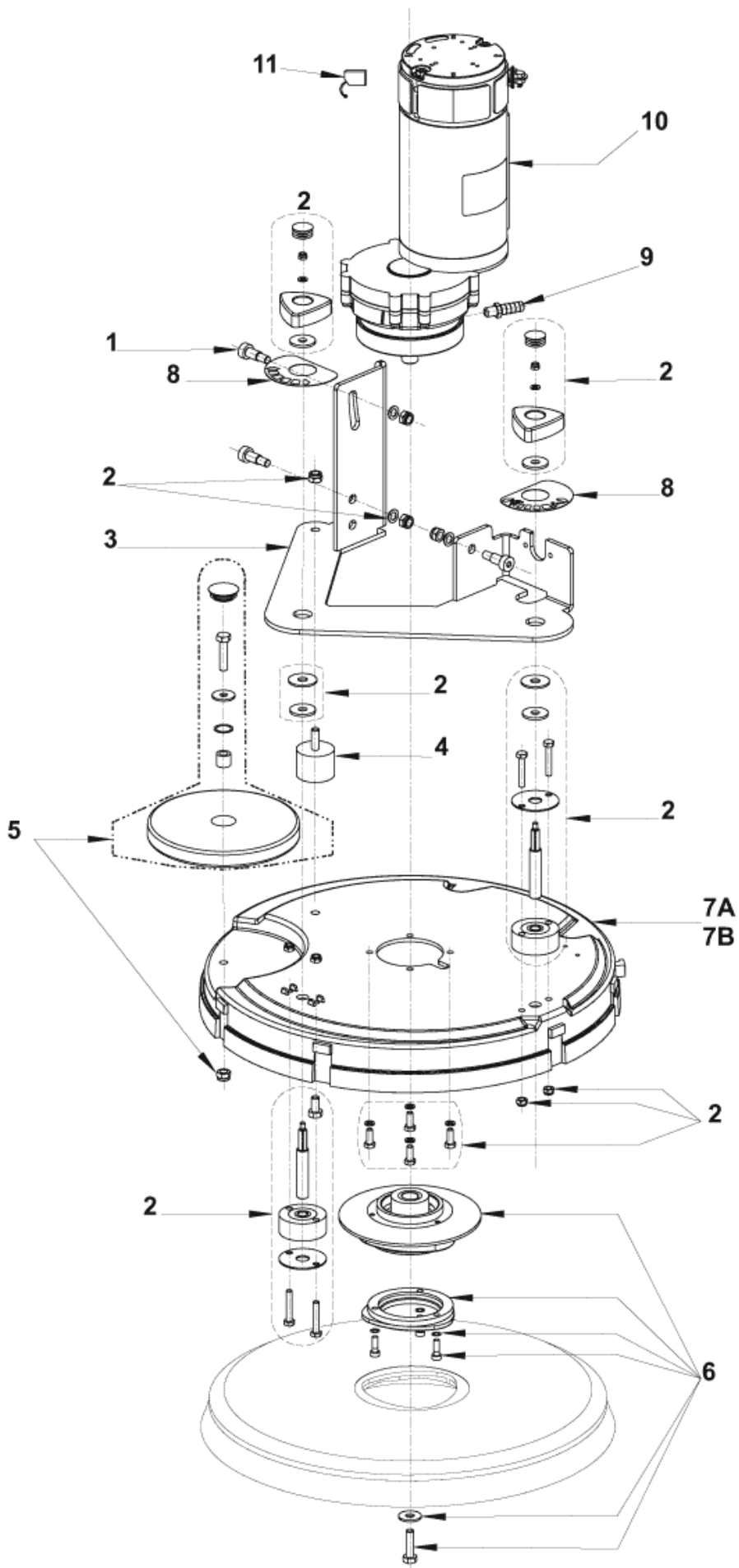
BA451/BA451D/BA531/BA 531D

13-05-2011

Part List ID

E183123

17



Brush system - BA 451 - BA 531

BA451/BA451D/BA531/BA 531D

13-05-2011

Part List ID

E183123

18

Pos	Part no.	Qty	Description		EAN
0	9097599000	1	PROTECTION MOTOR KIT	TSB IT 2008-014 - OPTION- INST.INSTR.909760000 FOR	5711140134
1	909 6495 000	3	SCREW,SHOULDER M10X16 ISO 7379		5711140128
2	9098344000	1	HARDWARE BRUSH D		5711140146
3	909 6485 000	1	PLATE,DECK BRUSH OLDER		5711140128
4	9097184000	1	VIBRATION DAMPING M8 60SH		5711140132
5	909 6887 000	1	ROLLER BUMPER KIT		5711140131
6	9097093000	1	HOLDER POLYGONAL KIT		5711140132
8	9097771000	1	DECALS KIT		5711140135
9	L08601624	1	Screw ed socket, straight		5711140013
10	9098308000	1	REDUCTION GEARMOTOR 450W 24V	STARTING FROM SERIAL NUMBER 111332741	7319519677
10	9098352000	1	REDUCTION GEARMOTOR 24V 480W		7319519684
11	909 5380 000	1	CARBON BRUSH	F OLD RED.GEAR MOT.909 6546 000	5711140122
11	9098376000	1	BRUSH CARBON KIT	F OLD RED.GEAR MOT.9098308000	7319519677
11	9098674000	1	BRUSH CARBON KIT 4PCS	F RED GEAR MOT.9098352000	7319519681
12	L08812480	1	Polygon holder		5711140018
7A	909 6043 000	1	DECK BRUSH	450MM/17"	5711140125
7B	909 6042 000	1	DECK BRUSH	530MM/20"	5711140125

Brush system - BA 451 D - BA 531 D

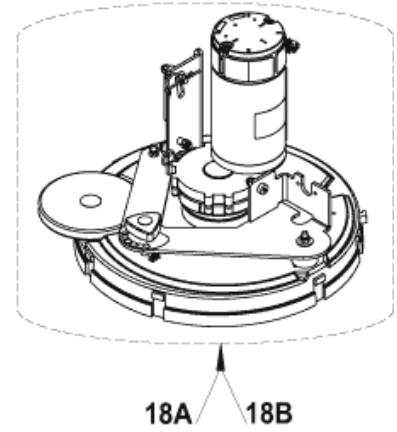
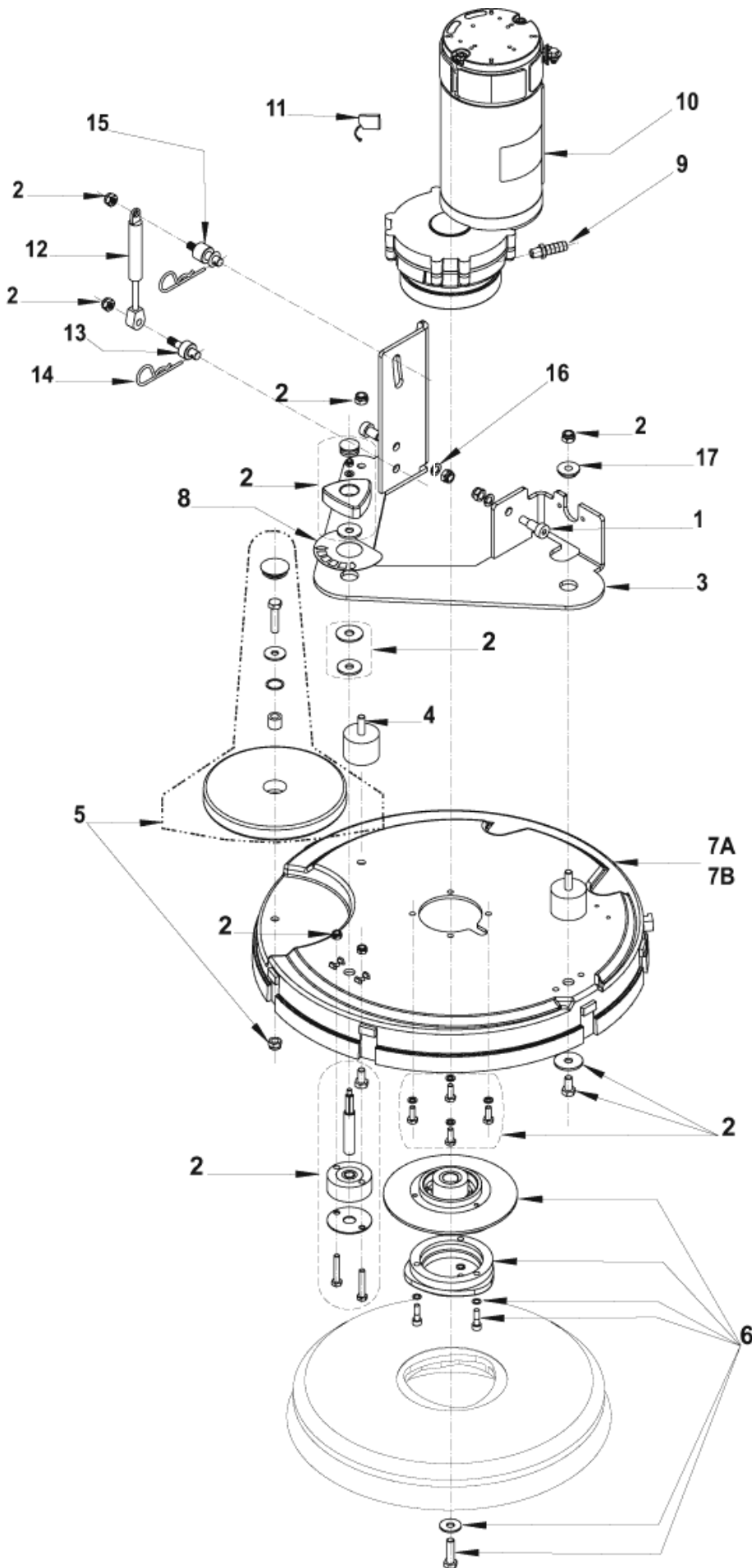
BA451/BA451D/BA531/BA 531D

13-05-2011

Part List ID

E183127

19



Brush system - BA 451 D - BA 531 D

13-05-2011

Part List ID

E183127

BA451/BA451D/BA531/BA 531D

20

Pos	Part no.	Qty	Description		EAN
0	9097599000	1	PROTECTION MOTOR KIT	TSB IT 2008-014 - OPTION - INST.INSTR.909760000 FO	5711140134
1	909 6495 000	3	SCREW,SHOULDER M10X16 ISO 7379		5711140128
2	9098344000	1	HARDWARE BRUSH D		5711140146
3	909 6485 000	1	PLATE,DECK BRUSH OLDER		5711140128
4	9097184000	1	VIBRATION DAMPING M8 60SH		5711140132
5	909 6887 000	1	ROLLER BUMPER KIT		5711140131
6	9097093000	1	HOLDER POLYGONAL KIT		5711140132
8	9097771000	1	DECALS KIT		5711140135
9	L08601624	1	Screw ed socket, straight		5711140013
10	9098308000	1	REDUCTION GEARMOTOR 450W 24V	STARTING FROM SERIAL NUMBER 111332741	7319519677
11	909 5380 000	1	CARBON BRUSH	FOR OLD REDUCTION GEAR MOT.909 6546 000	5711140122
11	9098376000	1	BRUSH CARBON KIT	FOR REDUCTION GEAR MOT.9098308000	7319519677
12	909 6514 000	1	SPRING GAS		5711140128
13	909 6516 000	1	PIN LOWER		5711140128
14	145 8564 000	2	Split pin 3 ZN (min 10 box)		5711140022
15	909 6515 000	1	PIN UPPER		5711140128
16	33005842	2	WASHER M8 UNI1751B		5711140067
17	909 6513 000	1	BUSH FLANGED		5711140128
7A	909 6043 000	1	DECK BRUSH		5711140125
7B	909 6042 000	1	DECK BRUSH		5711140125
18A	909 6852 000	1	BRUSH DECK 450MM/18 KIT		5711140130
18B	909 6853 000	1	BRUSH DECK 530MM		5711140130

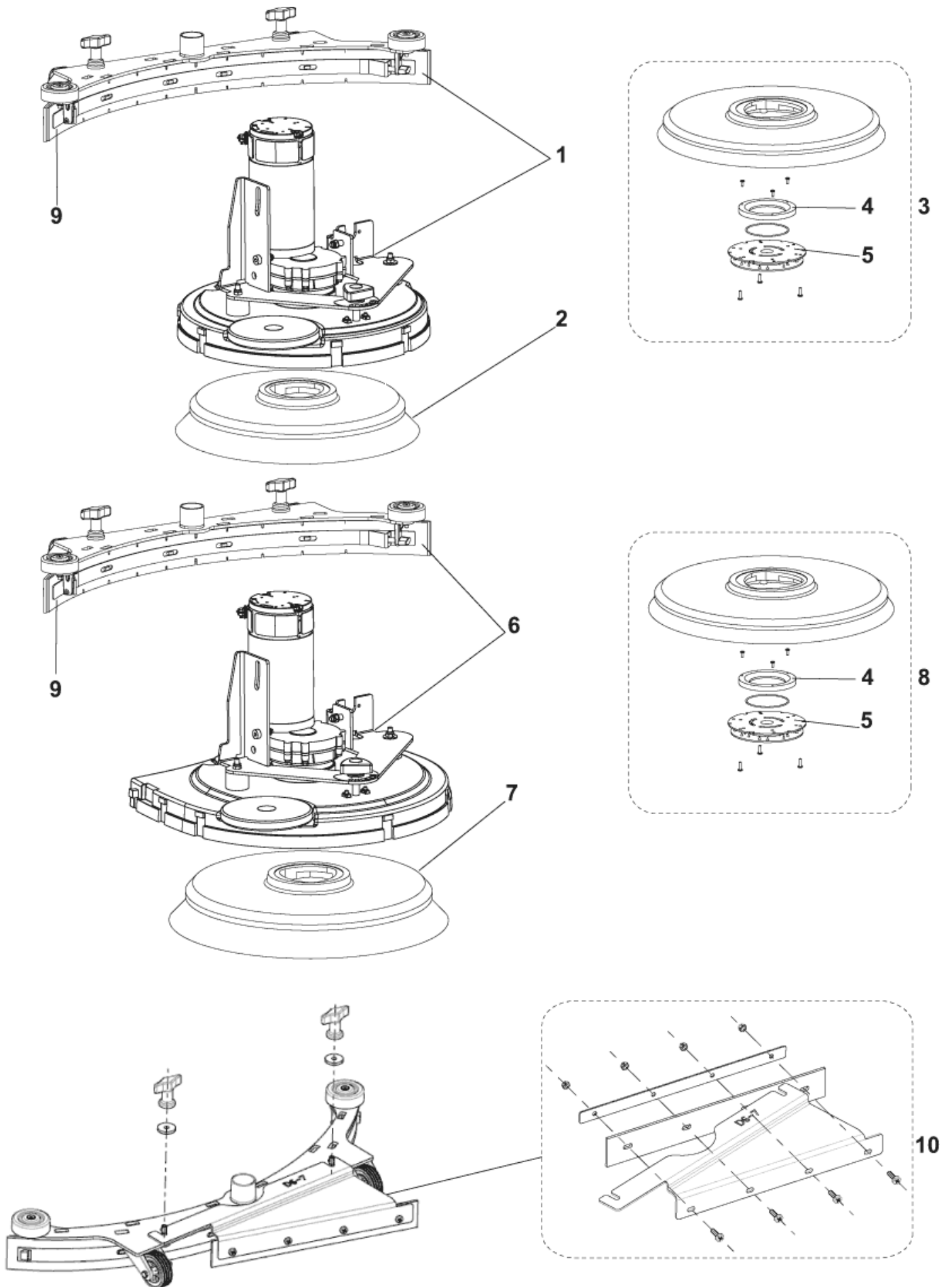
Accessories brushes

BA451/BA451D/BA531/BA 531D

13-05-2011

Part List ID
E183138

21



Accessories brushes

BA451/BA451D/BA531/BA 531D

13-05-2011

Part List ID
E183138

22

Pos	Part no.	Qty	Description	EAN
0	909 6483 000	1	BLADE,FRONT	5715492037
0	909 6484 000	1	BLADE,REAR	5715492037
0	909 6858 000	1	BLADE,POLYURET. KIT 30"	5715492037
0	909 6860 000	1	BLADE, STD KIT 30"	5715492037
1	909 6847 000	1	BRUSH DECK 450MM/18 KIT W	5711140130
2	L08837020	1	PROLENE MEDIUM 0.7MM 45CM BRUSH	5715492036
2	L08837021	1	PROLITE SOFT 0.5MM 45CM BRUSH	
2	L08837022	1	UNION MIX BRUSH 45CM	
2	L08837023	1	MIDLITE HEAVY DUTY 180 GT 45CM BRUSH	
2	L08837024	1	MIDGRIT MEDIUM 240 GRIT 45CM BRUSH	
3	L08837017	1	PADHOLDER 45CM	5715492036
4	L08603966	1	RING NYLON	5711140016
5	L08837030	1	RETAINER PAD	5711140020
6	909 6848 000	1	BRUSH DECK 531-551 KIT W/SQUEEGEE	5711140130
7	L08837025	1	PROLENE MEDIUM 0,7MM 53CM BRUSH	5715492037
7	L08837026	1	PROLITE SOFT 0.5MM 53CM BRUSH	
7	L08837027	1	UNION MIX BRUSH 53CM	
7	L08837028	1	MIDLITE MEDIUM 180 GRIT 53CM BRUSH	
7	L08837029	1	MIDGRIT MEDIUM 240 GRIT 53CM BRUSH	
7	L08837065	1	MAGNA GRIT 46 BRUSH 53CM EXTREME HEAVY DUTY	
7	L08837066	1	DYNA GRIT 80 BRUSH	
7	L08837067	1	AGLITE GRIT 500 BRUSH SOFT 53CM	
8	L08837018	1	PADHOLDER 53CM	5715492036
9	909 6851 000	1	SQUEEGEE KIT COMPLETE	5715492037
9	L08603878	1	Squeegee kit complete	5711140016
10	9098343000	1	THIRD BLADE SQUEEGEE KIT	OPTION - INST.INSTR. 9098337000 5711140146

Control panel system - BA 451 - 531

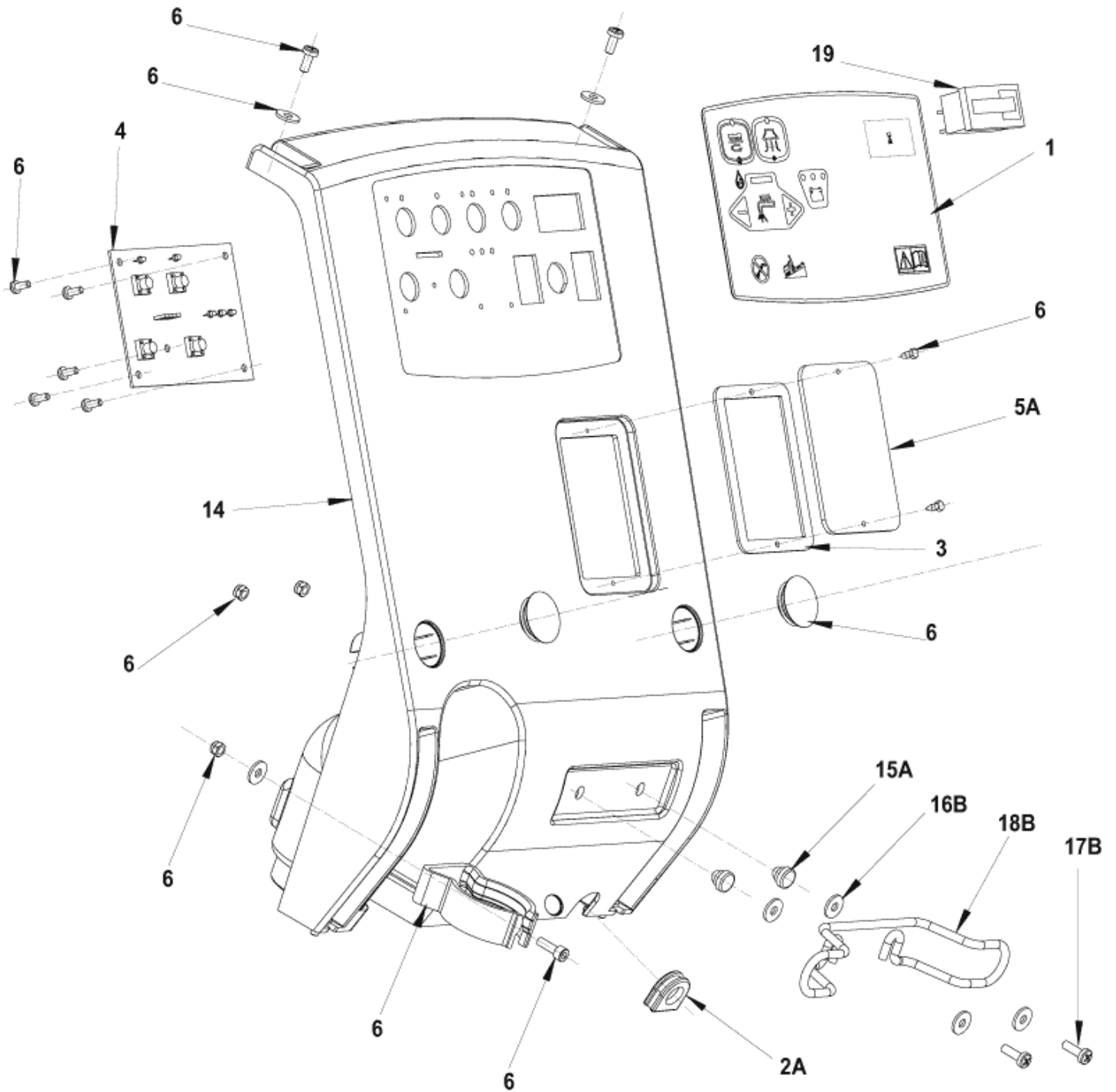
BA451/BA451D/BA531/BA 531D

13-05-2011

Part List ID

E183141

23



Control panel system - BA 451 - 531

BA451/BA451D/BA531/BA 531D

13-05-2011

Part List ID

E183141

24

Pos	Part no.	Qty	Description	EAN
0	145 8368 000	1	Fuse 3A	5711140009
1	9098635000	1	DECAL CONTROL PANEL	7319519680
3	909 6545 000	1	GASKET	5711140128
4	909 6552 000	1	CARD,ELECTRONIC	5711140128
4	9097006000	1	CARD ELECTRONIC	5711140131
6	9098302000	1	HARDWARE CONTROL PANEL KIT	7319519676
14	9097649000	1	COVER CONTROL PANEL KIT	5711140135
19	9096951000	1	COUNTER HOUR 24V KIT	5715492037
2A	909 6542 000	1	GROMMET	5711140128
5A	909 6655 000	1	COVER F INSPECTION PLATE	5711140129
15A	909 6553 000	2	FEET RUBBER	5711140128
16B	145 1261 000	4	plain washer 5 x 15 zn	5711140022
17B	146 2090 000	2	SCREW M5X16 UN7687	5711140042
18B	909 5149 000	1	CABLE SUPPORT	5711140121

A : ONLY VERSION WITHOUT BATTERY CHARGER ON BOARD

B : ONLY VERSION WITH BATTERY CHARGER ON BOARD

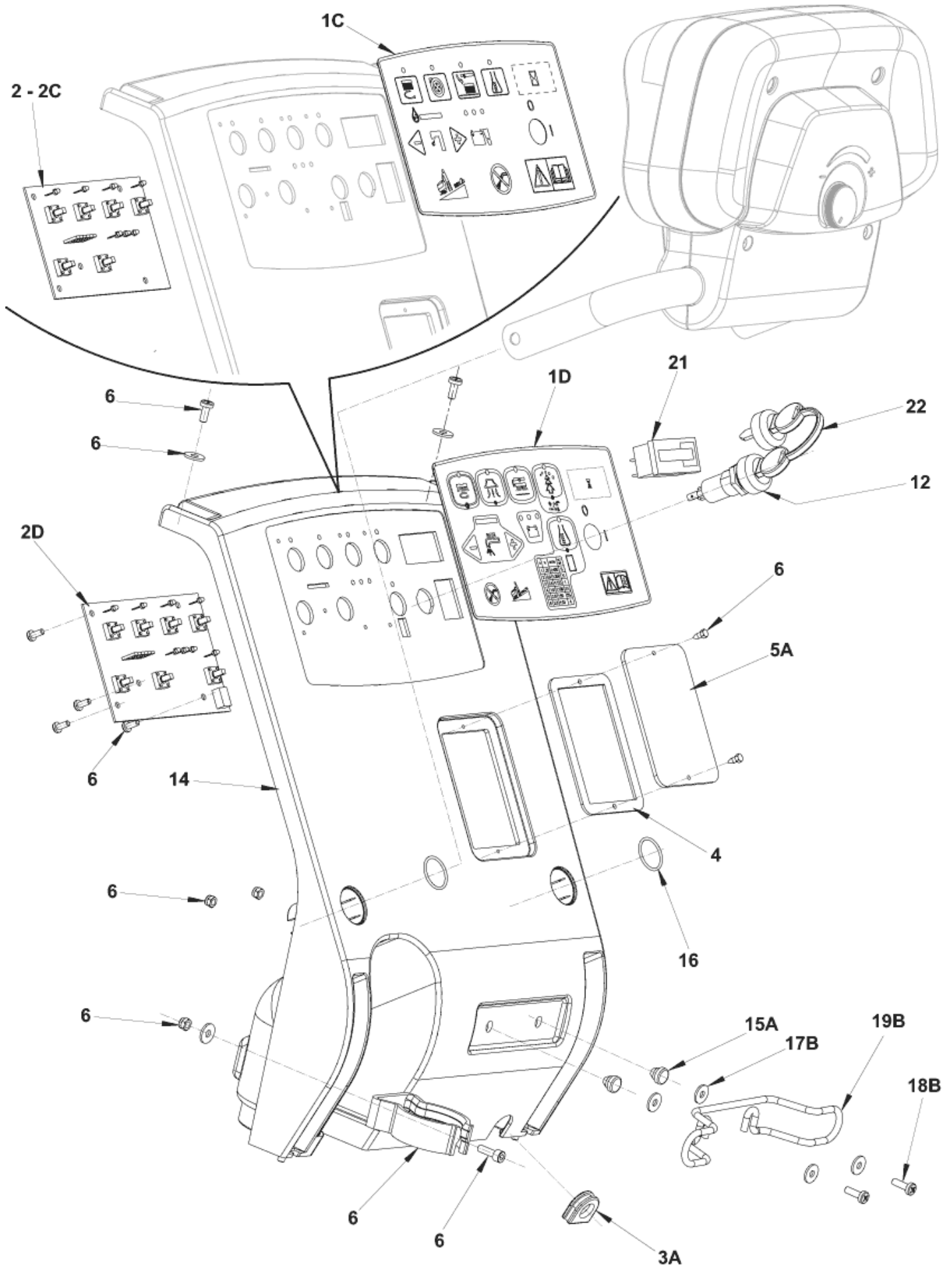
Control panel system - BA 451 D - 531 D

BA451/BA451D/BA531/BA 531D

13-05-2011

Part List ID
E183143

25



Control panel system - BA 451 D - 531 D

BA451/BA451D/BA531/BA 531D

13-05-2011

Part List ID

E183143

26

Pos	Part no.	Qty	Description	EAN
0	145 8368 000	2	Fuse 3A	5711140009
0	909 6678 000	1	FUSE 20A GLASS DELAYED	5711140129
2	909 6499 000	1	CARD,ELECTRONIC	5711140128
			BEFORE S.NO.072014255	
4	909 6545 000	1	GASKET	5711140128
6	9098302000	1	HARDWARE CONTROL PANEL KIT	7319519676
12	146 2888 000	1	SWITCH KEY WITH CAP	5711140046
14	9098632000	1	COVER ELECTRIC COMPONENTS	7319519680
16	909 6675 000	2	SEAL.O-RING 132	5711140129
1C	909 6057 000	1	DECAL CONTROL PANEL	5711140125
			TSB IT 2009-025 - VALID TILL MAY 2010	
1D	9098634000	1	DECAL CONTROL PANEL ECOFLEX	7319519680
			STARTING FROM JUNE 2010	
21	9096951000	1	COUNTER HOUR 24V KIT	5715492037
			OPTION- INST.INSTR.9096952000	
22	146 2887 000	1	KEY (2 PCS)	5711140046
2C	9097007000	1	CARD ELECTRONIC	5711140131
			FROM S.NO.072014255	
2D	9098555000	1	CARD ELECTRONIC TRACTION	7319519680
3A	909 6542 000	1	GROMMET	5711140128
5A	909 6655 000	1	COVER F INSPECTION PLATE	5711140129
15A	909 6553 000	2	FEET RUBBER	5711140128
17B	145 1261 000	4	plain washer 5 x 15 zn	5711140022
18B	146 2090 000	2	SCREW M5X16 UN7687	5711140042
19B	909 5149 000	1	CABLE SUPPORT	5711140121

Note:

A : ONLY VERSION WITHOUT BATTERY CHARGER ON BOARD

B : ONLY VERSION WITH BATTERY CHARGER ON BOARD

Electrical components - BA 451 - 531

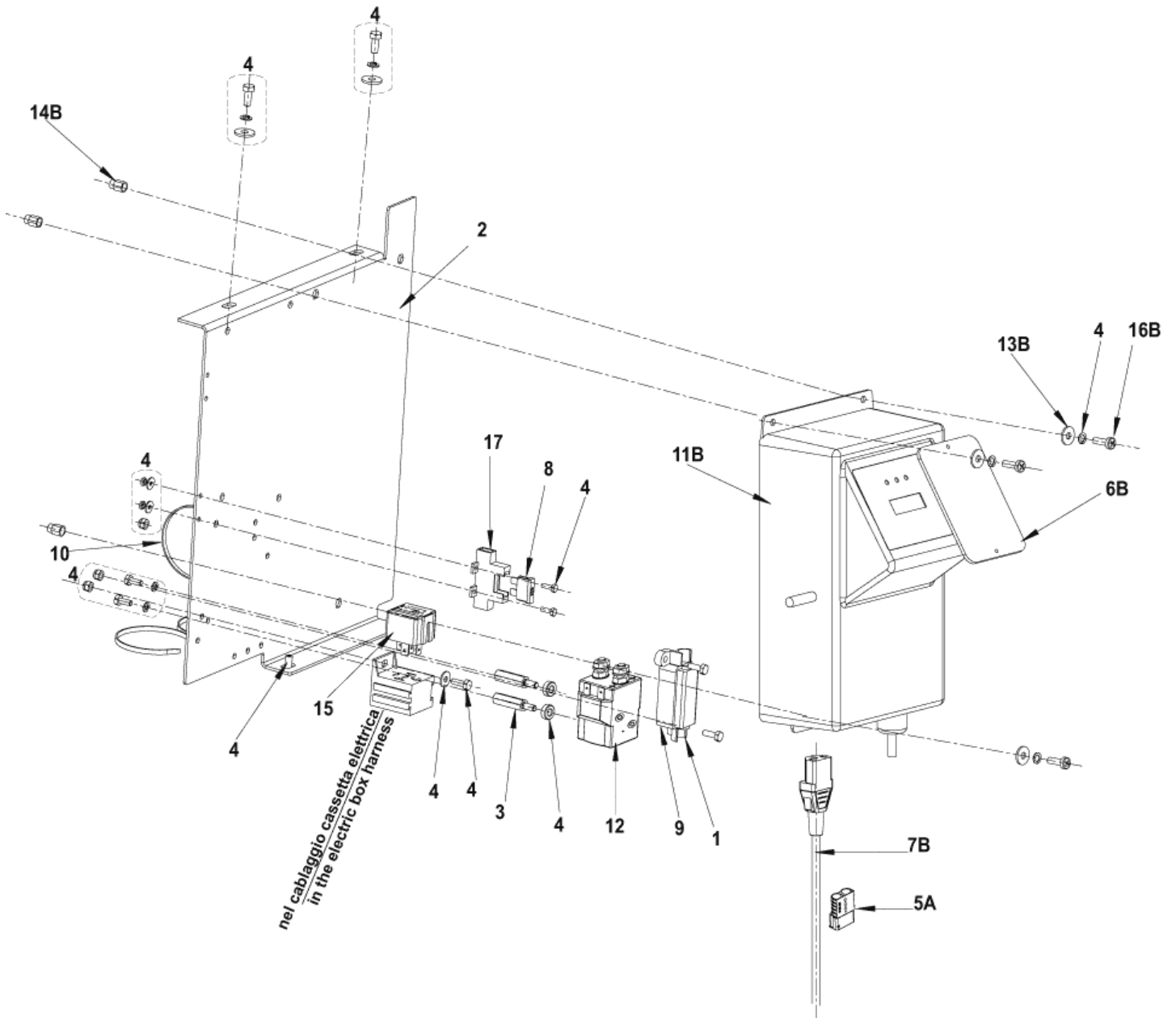
BA451/BA451D/BA531/BA 531D

13-05-2011

Part List ID

E183145

27



Electrical components - BA 451 - 531

BA451/BA451D/BA531/BA 531D

13-05-2011

Part List ID

E183145

28

Pos	Part no.	Qty	Description		EAN
0	909 6616 000	1	HARNESS ELECTRIC BOX	before SN 070100309	5711140129
0	909 6618 000	1	HARNESS BATTERY		5711140129
0	909 6840 000	1	HARNESS VACUUM MOTOR		5711140130
0	909 6844 000	1	HARNESS MACHINE	before SN 070100309	5711140130
0	9096963000	1	HARNESS ELECTRIC BOX	starting from SN 070100309	5711140131
0	9096971000	1	HARNESS MACHINE	starting from SN 070100309	5711140131
0	9097590000	1	CABLE BATTERY INTERCONNECTION		5711140134
1	145 8046 000	1	Fuse Holder		5711140009
2	909 6498 000	1	SUPPORT.ELECTRONIC COMP.		5711140128
3	909 6676 000	2	SPACER M4 L25		5711140129
4	9098303000	1	HARDWARE ELECTRIC SYSTEM		7319519676
8	145 8513 000	1	Fuse 30A		5711140009
9	145 3824 000	1	Fuse 40A		5711140009
10	145 1449 000	3	CLAMP 3.6x140		5711140023
12	9097208000	1	SWITCH		5711140133
15	909 6622 000	1	RELAY 24V 40A		5711140129
17	146 0660 000	2	Holder fuse		5711140033
5A	9098762000	1	CONNECTOR 120A RED		5711140152
6B	909 5313 000	1	PLATE INSPECTION,TRANSP.		5711140122
7B	909 5633 000	1	CABLE EXTENTION		5711140123
7B	909 5676 000	1	CABLE EXTENTION UK PLUG		5711140123
7B	9096914000	1	CABLE EXTENSION		5711140131
11B	9098297000	1	BATTERY CHARGER		5711140140
13B	33005912	3	WASHER 5M UNI6592		5711140067
14B	145 6132 000	3	INSERT M5		5711140031
16B	146 1711 000	3	SCREW M5X20 UNI7687		5711140040

A: ONLY VERSIONS WITHOUT BATTERY CHARGER ON BOARD

B: ONLY VERSIONS WITH BATTERY CHARGER ON BOARD

Electrical components - BA 451 D - 531 D

13-05-2011

BA451/BA451D/BA531/BA 531D

Part List ID

E183147

30

Pos	Part no.	Qty	Description	EAN
0	909 6617 000	1	HARNESS ELECTRIC BOX before SN 064927239	5711140129
0	909 6618 000	1	HARNESS BATTERY	5711140129
0	909 6839 000	1	HARNESS MACHINE before SN 064927239	5711140130
0	909 6840 000	1	HARNESS VACUUM MOTOR	5711140130
0	9096964000	1	HARNESS ELECTRIC BOX starting from SN 064927239	5711140131
0	9096972000	1	HARNESS MACHINE FROM S. NO. 064927239	5711140131
0	9097590000	1	CABLE BATTERY INTERCONNECTION	5711140134
0	9098640000	1	HARNESS MACHINE FROM JUNE 2010	7319519680
1	145 8046 000	1	Fuse Holder	5711140009
2	909 6498 000	1	SUPPORT.ELECTRONIC COMP.	5711140128
3	909 6676 000	2	SPACER M4 L25	5711140129
4	9098303000	1	HARDWARE ELECTRIC SYSTEM contains all Hardware shown in this system	7319519676
8	145 8513 000	2	Fuse 30A	5711140009
9	145 3824 000	1	Fuse 40A	5711140009
10	145 1449 000	3	CLAMP 3.6x140	5711140023
12	9097209000	1	SWITCH ELECTROMAGNETIC 24V	5711140133
15	909 6622 000	1	RELAY 24V 40A	5711140129
17	146 0660 000	2	Holder fuse	5711140033
18	9096908000	1	CARD ELECTRONIC TRACTION	5711140131
5A	9098762000	1	CONNECTOR 120A RED	5711140152
6B	909 5313 000	1	PLATE INSPECTION, TRANSP.	5711140122
7B	909 5633 000	1	CABLE EXTENTION	5711140123
7B	909 5676 000	1	CABLE EXTENTION UK PLUG	5711140123
7B	9096914000	1	CABLE EXTENSION	5711140131
11B	9098297000	1	BATTERY CHARGER	5711140140
13B	33005912	3	WASHER 5M UNI6592	5711140067
14B	145 6132 000	3	INSERT M5	5711140031
16B	146 1711 000	3	SCREW M5X20 UNI7687	5711140040

A: ONLY VERSIONS WITHOUT BATTERY CHARGER ON BOARD

B: ONLY VERSIONS WITH BATTERY CHARGER ON BOARD

Accessories Extra pressure-Splash guards

BA451/BA451D/BA531/BA 531D

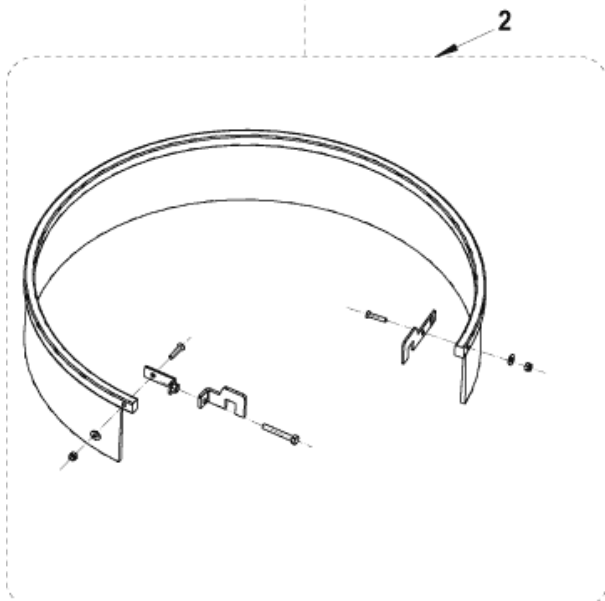
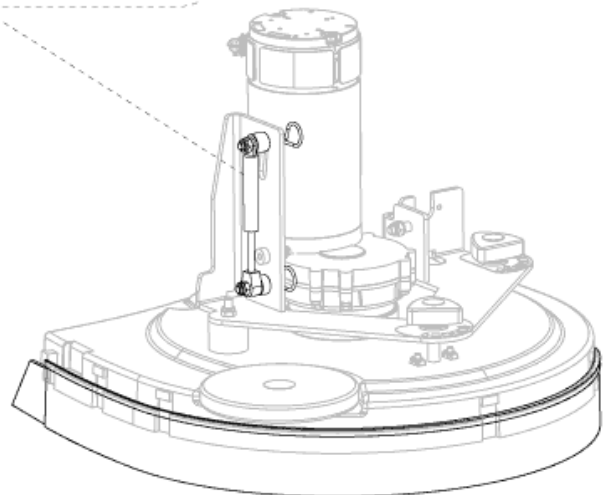
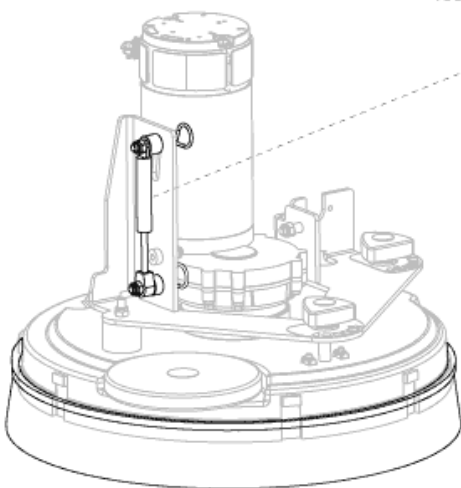
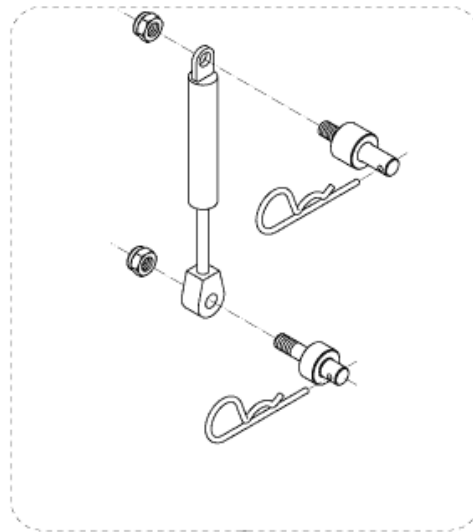
13-05-2011

Part List ID

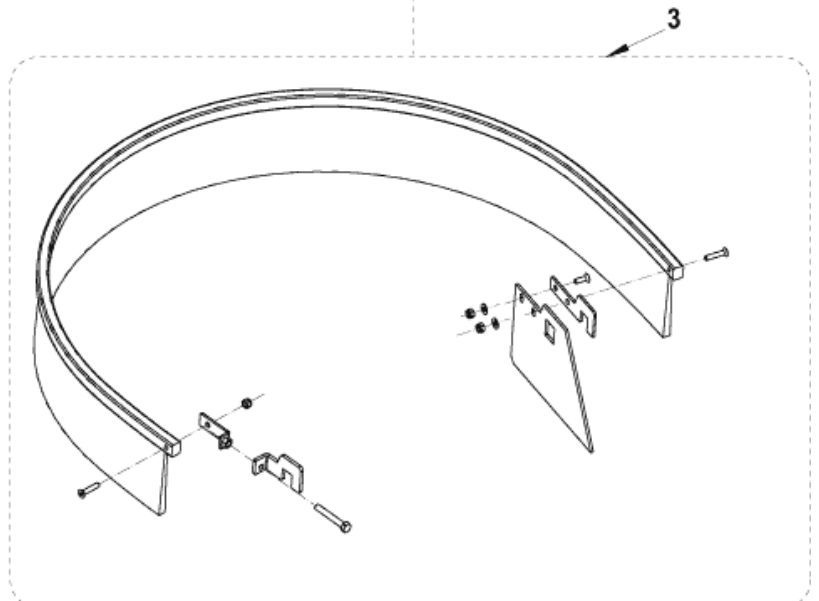
E183149

31

KIT EXTRA PRESSIONE - EXTRA PRESSURE KIT (BA 451 / BA 531)



KIT PARASPRUZZI 17"
SPLASH GUARD 17" KIT
(BA 451 / BA 451 D)



KIT PARASPRUZZI 20"
SPLASH GUARD 20" KIT
(BA 531 / BA 531 D)

Accessories Extra pressure-Splash guards

BA451/BA451D/BA531/BA 531D

13-05-2011

Part List ID

E183149

32

Pos	Part no.	Qty	Description		EAN
1	909 6738 000	1	PRESSURE EXTRA BRUSH KIT	OPTION- INST.INSTR. 909 6759 000	5711140130
2	909 6737 000	1	SPLASH GUARD KIT 451	OPTION- INST.INSTR. 909 6745 000	5715492037
3	909 6736 000	1	SPLASH GUARD KIT 531-551	OPTION- INST.INSTR. 909 6745 000	5715492037

Accessories Battery Charger

BA451/BA451D/BA531/BA 531D

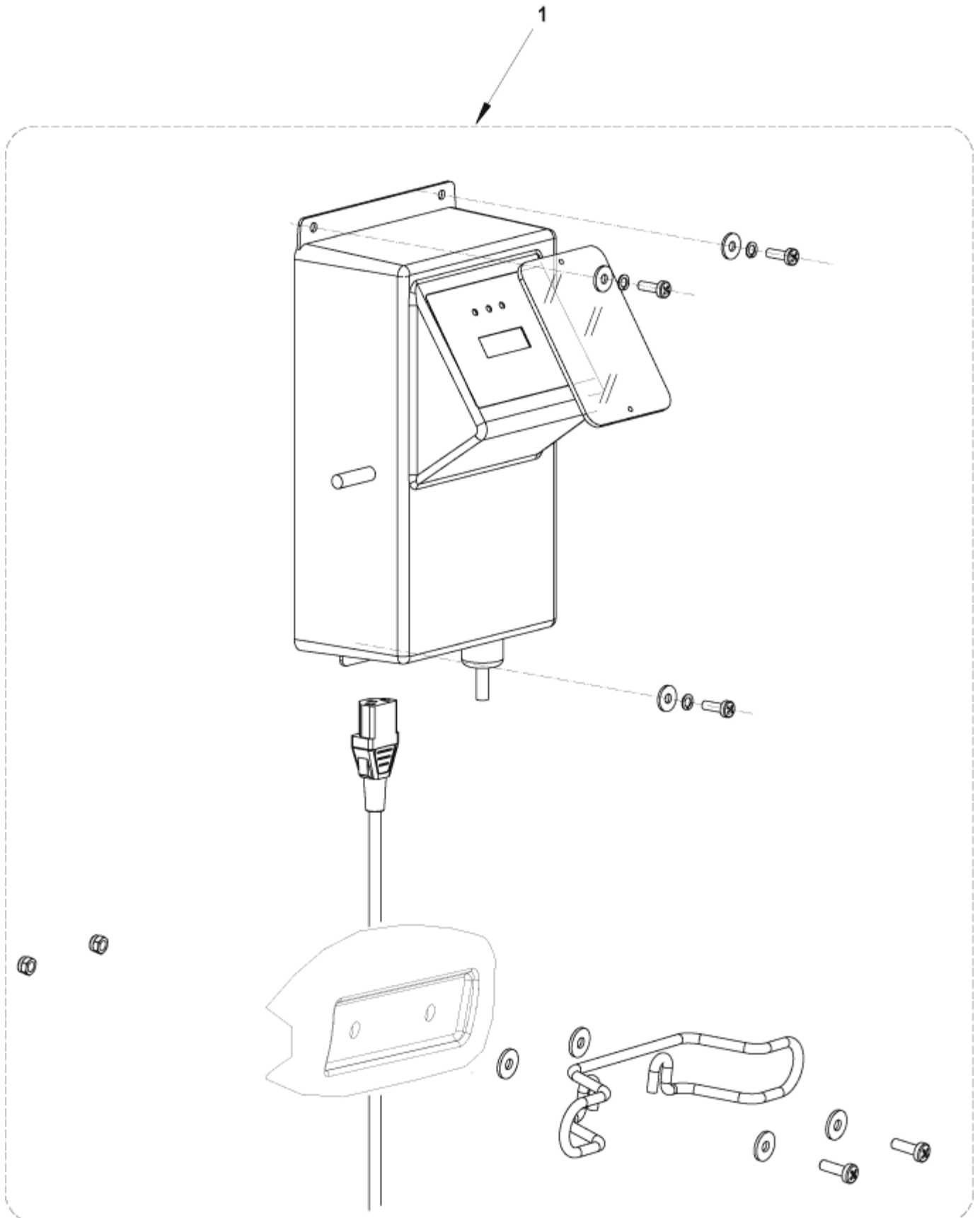
13-05-2011

Part List ID

E183151

33

KIT CARICABATTERIA - BATTERY CHARGER KIT



Accessories Battery Charger

BA451/BA451D/BA531/BA 531D

13-05-2011

Part List ID

E183151

34

Pos	Part no.	Qty	Description	EAN
0	9098260000	1	CHARGER BATTERY ON BOARD	7319519677
1	909 6739 000	1	CHARGER BATTERY CPL KIT	OPTION- INST.INSTR. 909 6746 000 5715492037
1	9098259000	1	CHARGER BAT.ON BOARD KIT	JAP - OPTION- INST.INSTR. 9098262000 5711140140

Accessories Ecoflex system

BA451/BA451D/BA531/BA 531D

13-05-2011

Part List ID

E183153

36

Pos	Part no.	Qty	Description	EAN
0	909 6187 000	1	HARNES PUMP	7319519677
1	909 6743 000	1	EDS KIT BA 451/531 D (FITS D VERSIONS ONLY)	5711140130
2	909 6806 000	1	PIPES CHEMICAL MIX KIT	5711140130
7	909 6902 000	1	DECAL REWRITABLE	5711140131
8	9098264000	1	HARDWARE EDS SYSTEM KIT	7319519676
9	56315108	1	PUMP, 24V	5711144058
10	909 6903 000	1	TANK CHEMICAL KIT	5711140131
11	56315517	1	CAP	5711144059
12	56315522	1	CHECK VALVE 1/8 BARB 125PS	5711144059
13	56315523	1	CAP, DRY BREAK, 1/8 BARB	5711144059
14	56315527	1	INSERT BREAK	5711144059
16	909 6592 000	1	DECAL DETERGENT ADJUSTING	5711140129
20	909 6183 000	1	PUMP CHEMICAL MIX	5711140126
22	909 6536 000	1	ELBOW T REDUCING 8-4-8	5711140128
23	909 6639 000	1	BRACKET	5711140129

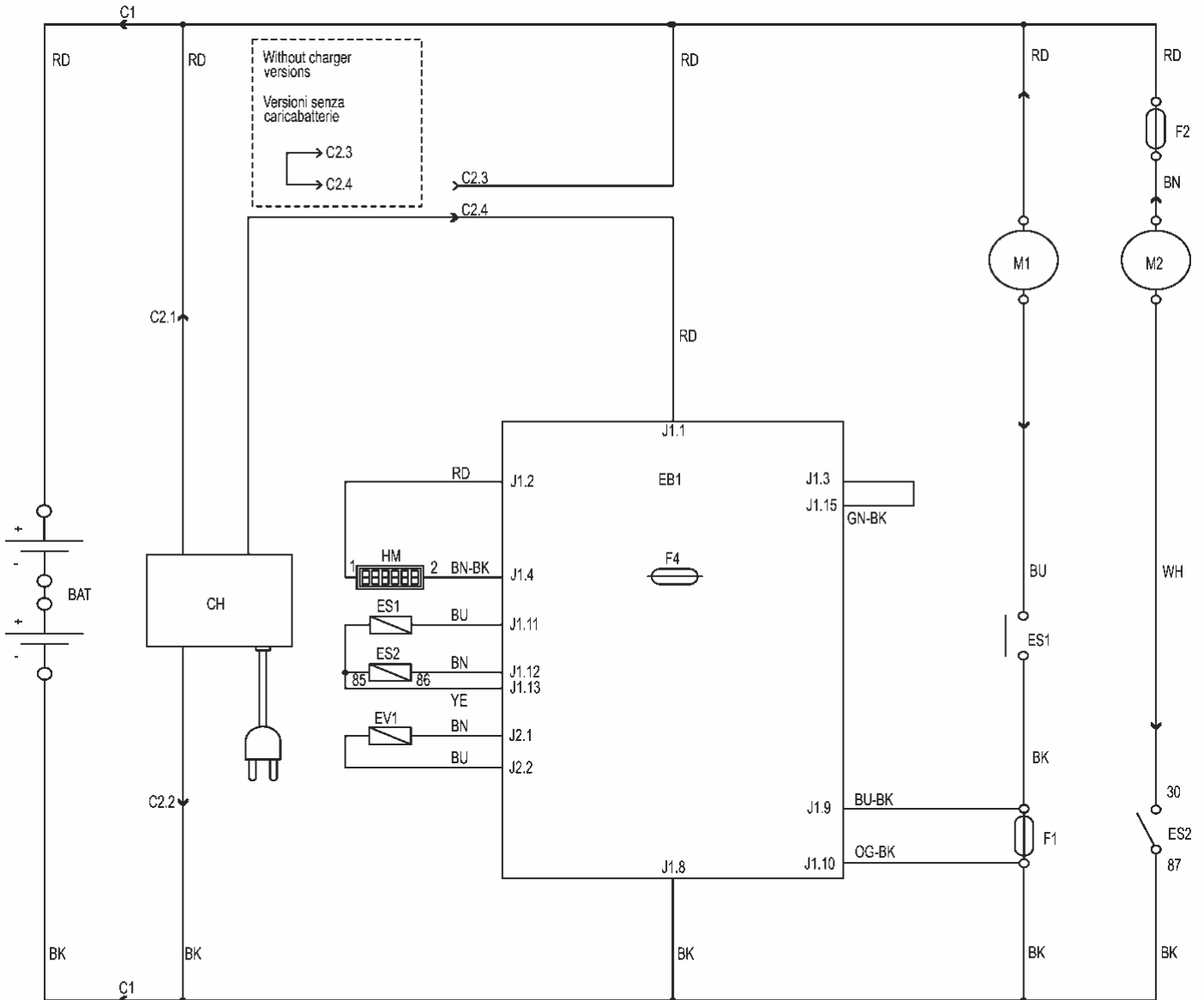
Wiring diagram - BA 451 - 531

BA451/BA451D/BA531/BA 531D

13-05-2011

Part List ID
E183154

37



WIRING DIAGRAM
BA 451 - BA 531

Rev. A

909 6530 000

COMPONENTS / COMPONENTI		
BAT	24V BATTERIES	BATTERIE 24V
C1	BATTERY CONNECTOR	CONNETTORE BATTERIE
C2	CHARGER CONNECTOR	CONNETTORE CARICABATTERIE
CH	BATTERY CHARGER (OPT)	CARICABATTERIE (OPT)
CS	BRUSH DECK CONNECTOR	CONNETTORE TESTATA SPAZZOLE
EB1	CONTROL PANEL BOARD	SCHEMA ELETTRONICA CONTROLLO FUNZIONI
ES1	BRUSH MOTOR ELECTROM. SWITCH	TELERUTTORE MOTORI SPAZZOLE
ES2	VACUUM MOTOR ELECTROM. SWITCH	RELE' ASPIRATORE
EV1	WATER ELECTROVALVE	ELETTROVALVOLA ACQUA
F1	BRUSH DECK FUSE	FUSIBILE TESTATA SPAZZOLE
F2	VACUUM MOTOR FUSE	FUSIBILE ASPIRATORE
F4	LOW POWER CIRCUIT FUSE	FUSIBILE CIRCUITI DI SEGNALE
HM	HOURMETER (OPT)	CONTAORE (OPT)
M1	BRUSH MOTOR	MOTORE SPAZZOLA
M2	VACUUM MOTOR	MOTORE ASPIRATORE

Wiring diagram - BA 451 - 531

BA451/BA451D/BA531/BA 531D

13-05-2011

Part List ID

E183154

38

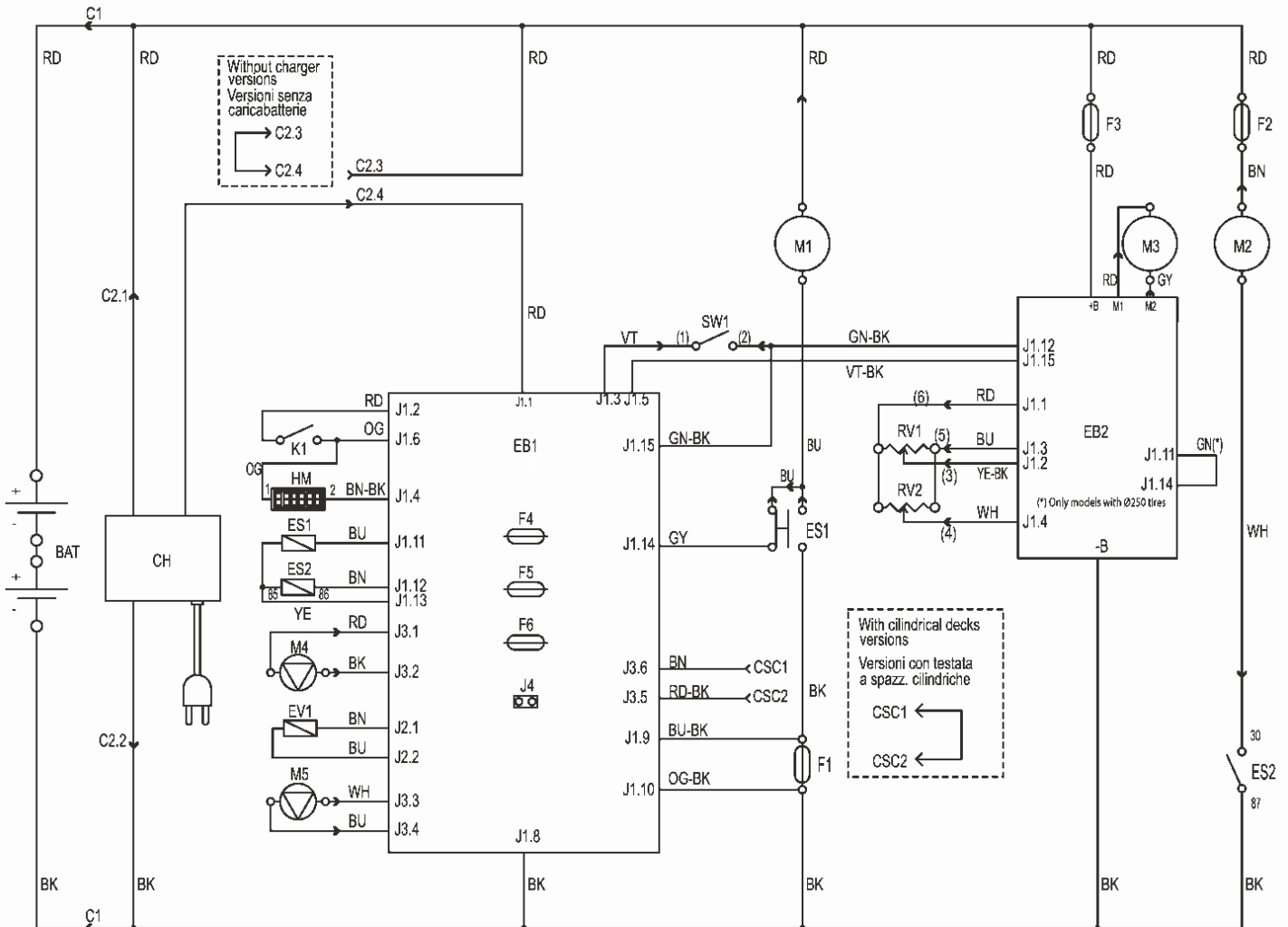
Wiring diagram - BA 451 D - 531 D

BA451/BA451D/BA531/BA 531D

13-05-2011

Part List ID
E183155

39



WIRING DIAGRAM - BA 451 D / BA 531 D

Rev. B

909 6529 000

COMPONENTS / COMPONENTI					
BAT	24V BATTERIES	BATTERIE 24V	K1	KEY SWITCH	CHIAVE
C1	BATTERY CONNECTOR	CONNETTORE BATTERIE	M1	BRUSH MOTOR	MOTORE SPAZZOLA
C2	CHARGER CONNECTOR	CONNETTORE CARICABATTERIE	M2	VACUUM MOTOR	MOTORE ASPIRATORE
CH	BATTERY CHARGER (OPT)	CARICABATTERIE (OPT)	M3	DRIVE MOTOR	MOTORE TRAZIONE
CSC	CILINDRICAL DECK SECONDARY CONNECTOR	CONN. SECONDARIO TESTATA SPAZZ. CILINDRICHE	M4	WATER PUMP (OPT)	POMPA ACQUA (OPT)
EB1	CONTROL PANEL BOARD	SCHEDA ELETTRONICA CONTROLLO FUNZIONI	M5	DETERGENT PUMP (OPT)	POMPA DETERGENTE (OPT)
EB2	DRIVE ELECTRONIC BOARD	SCHEDA ELETTRONICA TRAZIONE	RV1	SPEED POTENTIOMETER	POTENZIOMETRO VELOCITA'
ES1	BRUSH MOTOR ELECTROM. SWITCH	TELERUTTORE MOTORI SPAZZOLE	RV2	MAX SPEED POTENTIOMETER	POTENZIOMETRO VELOCITA' MASSIMA
ES2	VACUUM MOTOR ELECTROM. SWITCH	RELE' ASPIRATORE	SW1	BRUSHES / DRIVE MICROSWITCH	MICROINTERR. CONSENSO SPAZZOLE/TRAZIONE
EV1	ELECTROVALVE	ELETTROVALVOLA			
F1	BRUSH DECK FUSE	FUSIBILE TESTATA SPAZZOLE			
F2	VACUUM MOTOR FUSE	FUSIBILE ASPIRATORE			
F3	DRIVE SYSTEM FUSE	FUSIBILE SISTEMA DI TRAZIONE			
F4	LOW POWER CIRCUIT FUSE	FUSIBILE CIRCUITI DI SEGNALE			
F5	BRUSH RELEASE FUSE	FUSIBILE SGANCIO SPAZZOLE			
F6	PUMP FUSE	FUSIBILE POMPE			
HM	HOURMETER (OPT)	CONTAORE (OPT)			

Wiring diagram - BA 451 D - 531 D

BA451/BA451D/BA531/BA 531D

13-05-2011

Part List ID

E183155

40

Recommended spare parts 1

BA451/BA451D/BA531/BA 531D

13-05-2011

Part List ID

E183156

41

No Drawing For Part List

Recommended spare parts 1

BA451/BA451D/BA531/BA 531D

13-05-2011

Part List ID

E183156

42

Pos	Part no.	Qty	Description		EAN
1	909 6650 000	1	SPONGE FOR WATER	BA 451 / BA 451 D / BA 531 / BA 531 D	5711140129
2	909 6681 000	1	HOSE CLEAN WATER	BA 451 / BA 451 D / BA 531 / BA 531 D	5711140129
3	L08812457	1	CAP TANK	BA 451 / BA 451 D / BA 531 / BA 531 D	5711140018
4	909 6874 000	1	cabl tank kit	BA 451 / BA 451 D / BA 531 / BA 531 D	5711140130
5	9098265000	1	HARDWARE SOLUTION	BA 451 / BA 451 D / BA 531 / BA 531 D	7319519676
6	909 6230 000	1	HOSE, VACUUM	BA 451 / BA 451 D / BA 531 / BA 531 D	5711140126
7	909 6528 000	1	HOSE, DRAIN	BA 451 / BA 451 D / BA 531 / BA 531 D	5711140128
8	L08812259	2	Float cage complete	BA 451 / BA 451 D / BA 531 / BA 531 D	5711140017
9	L08812373	1	Float ball	BA 451 / BA 451 D / BA 531 / BA 531 D	5711140018
10	145 0543 000	2	Clamp 14/32-52	BA 451 / BA 451 D / BA 531 / BA 531 D	5711140023
11	909 6899 000	1	CAP TANK	BA 451 / BA 451 D / BA 531 / BA 531 D	5711140131
12	909 6877 000	1	HARDWARE, FIXING KIT	BA 451 / BA 451 D / BA 531 / BA 531 D	5711140130
13	909 6876 000	1	HARDWARE TANK SYSTEM KIT	BA 451 / BA 451 D / BA 531 / BA 531 D	5711140130
14	9098062000	1	MOTOR VACUUM KIT	BA 451 / BA 451 D / BA 531 / BA 531 D	5711140139
15	9098231000	1	CARBON BRUSH KIT 2PCS	BA 451 / BA 451 D / BA 531 / BA 531 D	5711140139
16	909 6491 000	1	PANEL ACOUSTIC INSULATION	BA 451 / BA 451 D / BA 531 / BA 531 D	5711140128
17	9098057000	1	GASKET VACUUM MOTOR	BA 451 / BA 451 D / BA 531 / BA 531 D	5711140139
18	9098056000	1	GASKET VACUUM MOTOR	BA 451 / BA 451 D / BA 531 / BA 531 D	5711140139
19	909 6672 000	1	FILTER	BA 451 / BA 451 D / BA 531 / BA 531 D	5711140129
20	909 6898 000	2	WHEEL REAR CASTOR KIT	BA 451/ BA 531	5711140131
21	909 6897 000	2	WHEEL REAR CASTOR KIT	BA 451 D / BA 531 D	5711140131
22	909 6878 000	1	HARDWARE CHAS. FIXING KIT	BA 451 / BA 451 D / BA 531 / BA 531 D	5711140130
25	909 6548 000	1	MOTOR DRIVE 200W 24V	BA 451 D / BA 531 D	5711140128
26	145 5124 000	2	CARBON BRUSH	BA 451 D / BA 531 D	5711140027
27	L08812282	2	Cam controller	BA 451 D / BA 531 D	5711140017
28	9098300000	1	HARDWARE HANDLE	BA 451 D / BA 531 D	7319519676
29	9098814000	1	POTENTIOMETER 5K 40	BA 451 D / BA 531 D	7319519681
30	909 6677 000	1	MICROSWITCH	BA 451 D / BA 531 D	5711140129
31	9096994000	1	VALVE ELBOW	BA 451 / BA 451 D / BA 531 / BA 531 D	5711140131
32	9097166000	1	FILTER COMPLETE KIT	BA 451 / BA 451 D / BA 531 / BA 531 D	5711140132
33	9096995000	1	VALVE ELBOW W/PIPES KIT	BA 451 / BA 451 D / BA 531 / BA 531 D	5711140131
34	909 6555 000	1	SOLENOID VALVE 24V	BA 451 / BA 451 D / BA 531 / BA 531 D	5711140128
35	909 6636 000	1	HOLDER RUBBER 1/2 FEMALE	BA 451 / BA 451 D / BA 531 / BA 531 D	5711140129
36	9098777000	1	HOLDER RUBBER 90 GRAD.KIT	BA 451 / BA 451 D / BA 531 / BA 531 D	7319519678

Recommended spare parts 2

BA451/BA451D/BA531/BA 531D

13-05-2011

Part List ID

E183157

43

No Drawing For Part List

Recommended spare parts 2

BA451/BA451D/BA531/BA 531D

13-05-2011

Part List ID

E183157

44

Pos	Part no.	Qty	Description		EAN
37	909 6055 000	1	STRAP,SQUEEGEE FRONT	BA 451 / BA 451 D / BA 531 / BA 531 D	5711140125
38	909 6044 000	1	WELDMENT,SQUEEGEE TOOL	BA 451 / BA 451 D / BA 531 / BA 531 D	5711140125
39	9097637000	1	SQUEEGEE FIXING KIT	BA 451 / BA 451 D / BA 531 / BA 531 D	5711140134
40	909 6551 000	1	KNOB M8X30 SS	BA 451 / BA 451 D / BA 531 / BA 531 D	5711140128
41	909 6484 000	1	BLADE,REAR	BA 451 / BA 451 D / BA 531 / BA 531 D	5715492037
42	909 6483 000	1	BLADE,FRONT	BA 451 / BA 451 D / BA 531 / BA 531 D	5715492037
43	909 6851 000	1	SQUEEGEE KIT COMPLETE	BA 451 / BA 451 D / BA 531 / BA 531 D	5715492037
44	909 6882 000	1	HARDWARE SQU.BLADE FIXING	BA 451 / BA 451 D / BA 531 / BA 531 D	5711140130
45	909 6883 000	1	WHEEL SQUEEGEE KIT	BA 451 / BA 451 D / BA 531 / BA 531 D	5711140131
46	909 6860 000	1	BLADE, STD KIT 30"	BA 451 / BA 451 D / BA 531 / BA 531 D	5715492037
47	909 6884 000	1	ROLLER BUMPER SQUEEG. KIT	BA 451 / BA 451 D / BA 531 / BA 531 D	5711140131
48	909 6394 000	1	LATCH SQUEEGEE KIT	BA 451 / BA 451 D / BA 531 / BA 531 D	5711140127
49	909 6885 000	1	HARDWARE SQUEEGEE FIXING KIT	BA 451 / BA 451 D / BA 531 / BA 531 D	5711140131
50	909 6852 000	1	BRUSH DECK 450MM/18 KIT	BA 451 D	5711140130
51	909 6853 000	1	BRUSH DECK 530MM	BA 531 D	5711140130
52	909 6043 000	1	DECK BRUSH	BA 451/ BA 451 D	5711140125
53	909 6042 000	1	DECK BRUSH	BA 531/ BA 531 D	5711140125
54	9098308000	1	REDUCTION GEARMOTOR 450W 24V	BA 451 D / BA 531 D	7319519677
55	9098376000	1	BRUSH CARBON KIT	BA 451 D / BA 531 D	7319519677
56	145 8564 000	2	Split pin 3 ZN (min 10 box)	BA 451 D / BA 531 D	5711140022
57	909 6514 000	1	SPRING GAS	BA 451 D / BA 531 D	5711140128
58	L08601624	1	Screw ed socket, straight	BA 451 / BA 451 D / BA 531 / BA 531 D	5711140013
59	9097184000	1	VIBRATION DAMPING M8 60SH	BA 451 / BA 451 D / BA 531 / BA 531 D	5711140132
60	9097093000	1	HOLDER POLYGONAL KIT	BA 451 / BA 451 D / BA 531 / BA 531 D	5711140132
61	909 6887 000	1	ROLLER BUMPER KIT	BA 451 / BA 451 D / BA 531 / BA 531 D	5711140131
62	9098344000	1	HARDWARE BRUSH D	BA 451 / BA 451 D / BA 531 / BA 531 D	5711140146
63	9097006000	1	CARD ELECTRONIC	BA 451/ BA 531	5711140131
64	9098635000	1	DECAL CONTROL PANEL	BA 451/ BA 531	7319519680
65	146 2888 000	1	SWITCH KEY WITH CAP	BA 451 D/ BA 531 D	5711140046
66	9097007000	1	CARD ELECTRONIC	BA 451 D/ BA 531 D	5711140131
66	9098555000	1	CARD ELECTRONIC TRACTION		7319519680
67	9098634000	1	DECAL CONTROL PANEL ECOFLEX	BA 451 D/ BA 531 D	7319519680
68	145 8368 000	1	Fuse 3A	BA 451 / BA 451 D / BA 531 / BA 531 D	5711140009
69	9096908000	1	CARD ELECTRONIC TRACTION	BA 451 D/ BA 531 D	5711140131
70	9097209000	1	SWITCH ELECTROMAGNETIC 24V	BA 451 D/ BA 531 D	5711140133
71	9098762000	1	CONNECTOR 120A RED	BA 451 / BA 451 D / BA 531 / BA 531 D	5711140152
72	909 6622 000	1	RELAY 24V 40A	BA 451 / BA 451 D / BA 531 / BA 531 D	5711140129
73	145 3824 000	1	Fuse 40A	BA 451 / BA 451 D / BA 531 / BA 531 D	5711140009
74	145 8513 000	1	Fuse 30A	BA 451 / BA 451 D / BA 531 / BA 531 D	5711140009
75	9098297000	1	BATTERY CHARGER	BA 451 / BA 451 D / BA 531 / BA 531 D	5711140140

Optionals

BA451/BA451D/BA531/BA 531D

13-05-2011

Part List ID

E183158

45

No Drawing For Part List

Optionals

BA451/BA451D/BA531/BA 531D

13-05-2011

Part List ID
E183158

46

Pos	Part no.	Qty	Description		EAN
1	909 6743 000	1	EDS KIT BA 451/531 D (FITS D VERSIONS ONLY)	IA 451 D / BA 531 D	5711140130
2	909 6806 000	1	PIPES CHEMICAL MIX KIT	BA 451 D / BA 531 D	5711140130
3	56315108	1	PUMP, 24V	BA 451 D / BA 531 D	5711144058
4	909 6903 000	1	TANK CHEMICAL KIT	BA 451 D / BA 531 D	5711140131
5	56315517	1	CAP	BA 451 D / BA 531 D	5711144059
6	56315522	1	CHECK VALVE 1/8 BARB 125PS	BA 451 D / BA 531 D	5711144059
7	56315523	1	CAP, DRY BREAK, 1/8 BARB	BA 451 D / BA 531 D	5711144059
8	56315527	1	INSERT BREAK	BA 451 D / BA 531 D	5711144059
9	909 6183 000	1	PUMP CHEMICAL MIX	BA 451 D / BA 531 D	5711140126
10	909 6536 000	1	ELBOW T REDUCING 8-4-8	BA 451 D / BA 531 D	5711140128
11	909 6847 000	1	BRUSH DECK 450MM/18 KIT W	BA 451	5711140130
12	909 6848 000	1	BRUSH DECK 531-551 KIT W/SQUEEGEE	BA 531	5711140130
13	9097167000	2	WHEEL FRONT D.200 65 SH	BA 451 / BA 531	5711140132
14	909 6738 000	1	PRESSURE EXTRA BRUSH KIT	BA 451 / BA 531	5711140130
15	909 6736 000	1	SPLASH GUARD KIT 531-551	BA 531 / BA 531 D	5715492037
16	909 6737 000	1	SPLASH GUARD KIT 451	BA 451 / BA 451 D	5715492037
17	L08837020	1	PROLENE MEDIUM 0.7MM 45CM BRUSH	BA 451 / BA 451 D	5715492036
18	L08837021	1	PROLITE SOFT 0.5MM 45CM BRUSH	BA 451 / BA 451 D	
19	L08837022	1	UNION MIX BRUSH 45CM	BA 451 / BA 451 D	
20	L08837023	1	MIDLITE HEAVY DUTY 180 GT 45CM BRUSH	BA 451 / BA 451 D	
21	L08837024	1	MIDGRIT MEDIUM 240 GRIT 45CM BRUSH	BA 451 / BA 451 D	
22	L08837017	1	PADHOLDER 45CM	BA 451 / BA 451 D	5715492036
23	L08837025	1	PROLENE MEDIUM 0,7MM 53CM BRUSH	BA 531 / BA 531 D	5715492037
24	L08837026	1	PROLITE SOFT 0.5MM 53CM BRUSH	BA 531 / BA 531 D	
25	L08837027	1	UNION MIX BRUSH 53CM	BA 531 / BA 531 D	
26	L08837028	1	MIDLITE MEDIUM 180 GRIT 53CM BRUSH	BA 531 / BA 531 D	
27	L08837029	1	MIDGRIT MEDIUM 240 GRIT 53CM BRUSH	BA 531 / BA 531 D	
28	L08837065	1	MAGNA GRIT 46 BRUSH 53CM EXTREME HEAVY DUTY	I / BA 531 D	
29	L08837066	1	DYNA GRIT 80 BRUSH	BA 531 / BA 531 D	
30	L08837067	1	AGLITE GRIT 500 BRUSH SOFT 53CM	BA 531 / BA 531 D	
31	L08837018	1	PADHOLDER 53CM	BA 531 / BA 531 D	5715492036
32	9097032000	2	WHEEL FRONT D.200 65SH	BA 451 D / BA 531 D	5711140132
33	L08603878	1	Squeegee kit complete	BA 451 / BA 451 D / BA 531 / BA 531 D	5711140016
34	909 6858 000	1	BLADE,POLYURET. KIT 30"	BA 451 / BA 451 D / BA 531 / BA 531 D	5715492037
35	909 6739 000	1	CHARGER BATTERY CPL KIT	BA 451 / BA 451 D / BA 531 / BA 531 D	5715492037
36	9097290000	1	HOSE FILLING	BA 451 / BA 451 D / BA 531 / BA 531 D	5711140133
37	9096916000	1	FILTER SOLUTION TANK	BA 451 / BA 451 D / BA 531 / BA 531 D	5711140131
38	9096951000	1	COUNTER HOUR 24V KIT	BA 451 / BA 451 D / BA 531 / BA 531 D	5715492037
39	909 6734 000	1	BAND, RUBBER KIT	BA 451 / BA 451 D / BA 531 / BA 531 D	5711140130
40	909 5065 000	1	FILTER	BA 451 / BA 451 D / BA 531 / BA 531 D	5711140120
41	9098343000	1	THIRD BLADE SQUEEGEE KIT	BA 451 / BA 451 D / BA 531 / BA 531 D	5711140146
42	9098853000	1	ELBOW 90 SUCT HOSE KIT RAL7001	TSB-IT 2010-061	7319519680

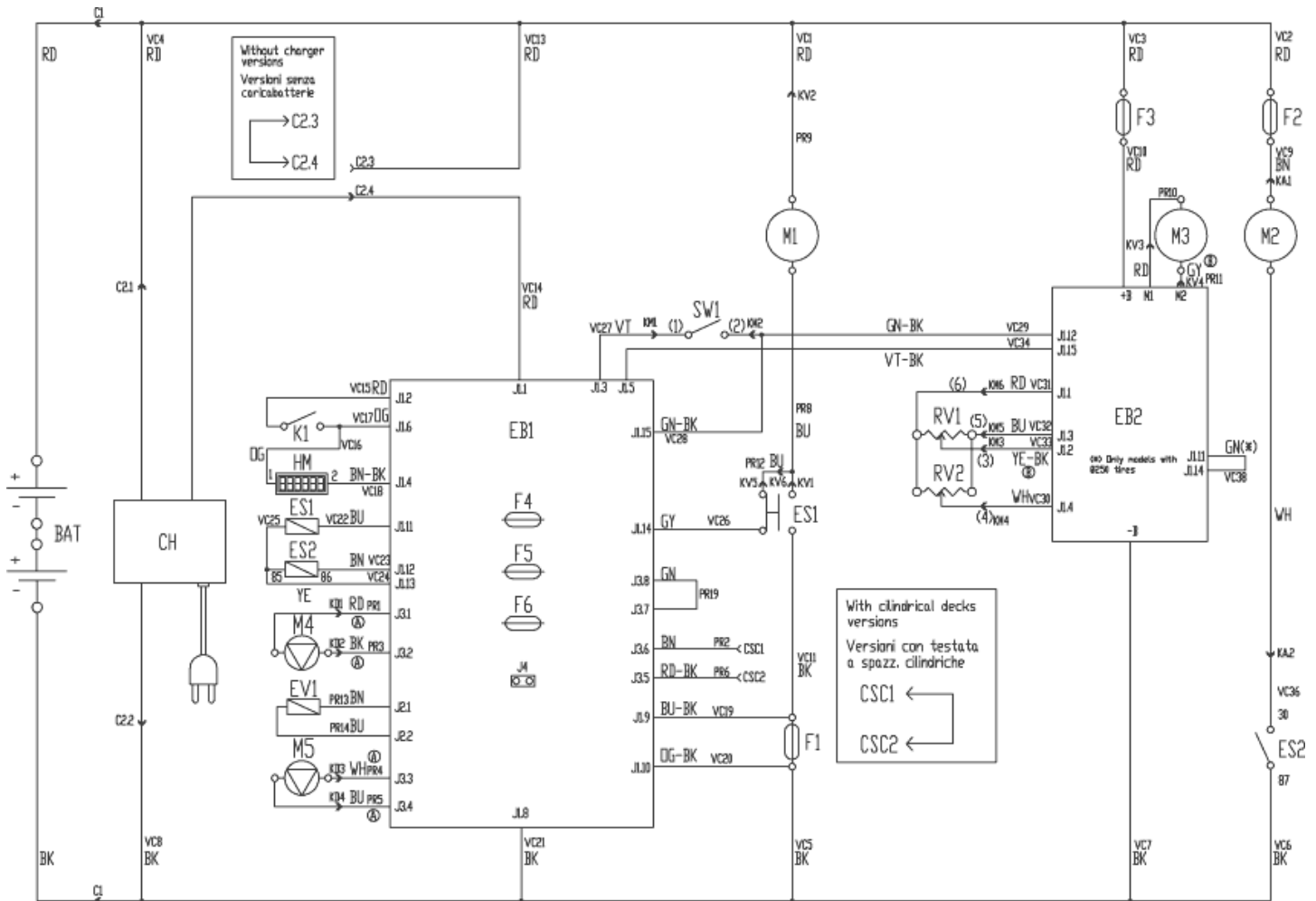
Wiring diagram - BA 451 D - 531 D REV.C

BA451/BA451D/BA531/BA 531D

13-05-2011

Part List ID
E183155A

47



WIRING DIAGRAM - BA 451D / BA 531D

Rev. C

909 6529 000

COMPONENTS / COMPONENTI					
BAT	24V BATTERIES	BATTERIE 24V	K1	KEY SWITCH	CHIAVE
C1	BATTERY CONNECTOR	CONNETTORE BATTERIE	M1	BRUSH MOTOR	MOTORE SPAZZOLA
C2	CHARGER CONNECTOR	CONNETTORE CARICABATTERIE	M2	VACUUM MOTOR	MOTORE ASPIRATORE
CH	BATTERY CHARGER (OPT)	CARICABATTERIE (OPT)	M3	DRIVE MOTOR	MOTORE TRAZIONE
CSC	CILINDRICAL DECK SECONDARY CONNECTOR	CONN. SECONDARIO TESTATA SPAZZ. CILINDRICHE	M4	WATER PUMP (OPT)	POMPA ACQUA (OPT)
EB1	CONTROL PANEL BOARD	SCHEDA ELETTRONICA CONTROLLO FUNZIONI	M5	DETERGENT PUMP (OPT)	POMPA DETERGENTE (OPT)
EB2	DRIVE ELECTRONIC BOARD	SCHEDA ELETTRONICA TRAZIONE	RV1	SPEED POTENTIOMETER	POTENZIOMETRO VELOCITA'
ES1	BRUSH MOTOR ELECTROM. SWITCH	TELERUTTORE MOTORI SPAZZOLE	RV2	MAX SPEED POTENTIOMETER	POTENZIOMETRO VELOCITA' MASSIMA
ES2	VACUUM MOTOR ELECTROM. SWITCH	RELE' ASPIRATORE	SW1	BRUSHES / DRIVE MICROSWITCH	MICROINTERR. CONSENSO SPAZZOLE/TRAZIONE
EV1	ELECTROVALVE	ELETTROVALVOLA			
F1	BRUSH DECK FUSE	FUSIBILE TESTATA SPAZZOLE			
F2	VACUUM MOTOR FUSE	FUSIBILE ASPIRATORE			
F3	DRIVE SYSTEM FUSE	FUSIBILE SISTEMA DI TRAZIONE			
F4	LOW POWER CIRCUIT FUSE	FUSIBILE CIRCUITI DI SEGNALE			
F5	BRUSH RELEASE FUSE	FUSIBILE SGANCIO SPAZZOLE			
F6	PUMP FUSE	FUSIBILE POMPE			
HM	HOURMETER (OPT)	CONTAORE (OPT)			

Wiring diagram - BA 451 D - 531 D REV.C

BA451/BA451D/BA531/BA 531D

13-05-2011

Part List ID

E183155A

48