

ATTIX 50 PC, XC, EC, Clean Room

Model:
ATTIX 50-01 PC
ATTIX 50-21 PC
ATTIX 50-21 XC



Part List US-English

12-12-2012

Nilfisk
ALTO
works for you

www.nilfisk-alto.com

Table of Contents

ATTIX 50 PC, XC, EC, Clean Room

| | |
|--|-----------|
| Cabinet Push Clean & Basic & XC | 3 |
| Cabinet EC and Clean Room | 6 |
| Filtersystem Push Clean & Basic | 8 |
| Filtersystem XC | 10 |
| Motor Basic and Push Clean | 12 |
| Motor XC | 14 |
| Motor EC and Clean Room | 16 |
| Container ATTIX 50 | 18 |
| Default accessories | 20 |
| RECOMMENDED SPARE PARTS | 22 |

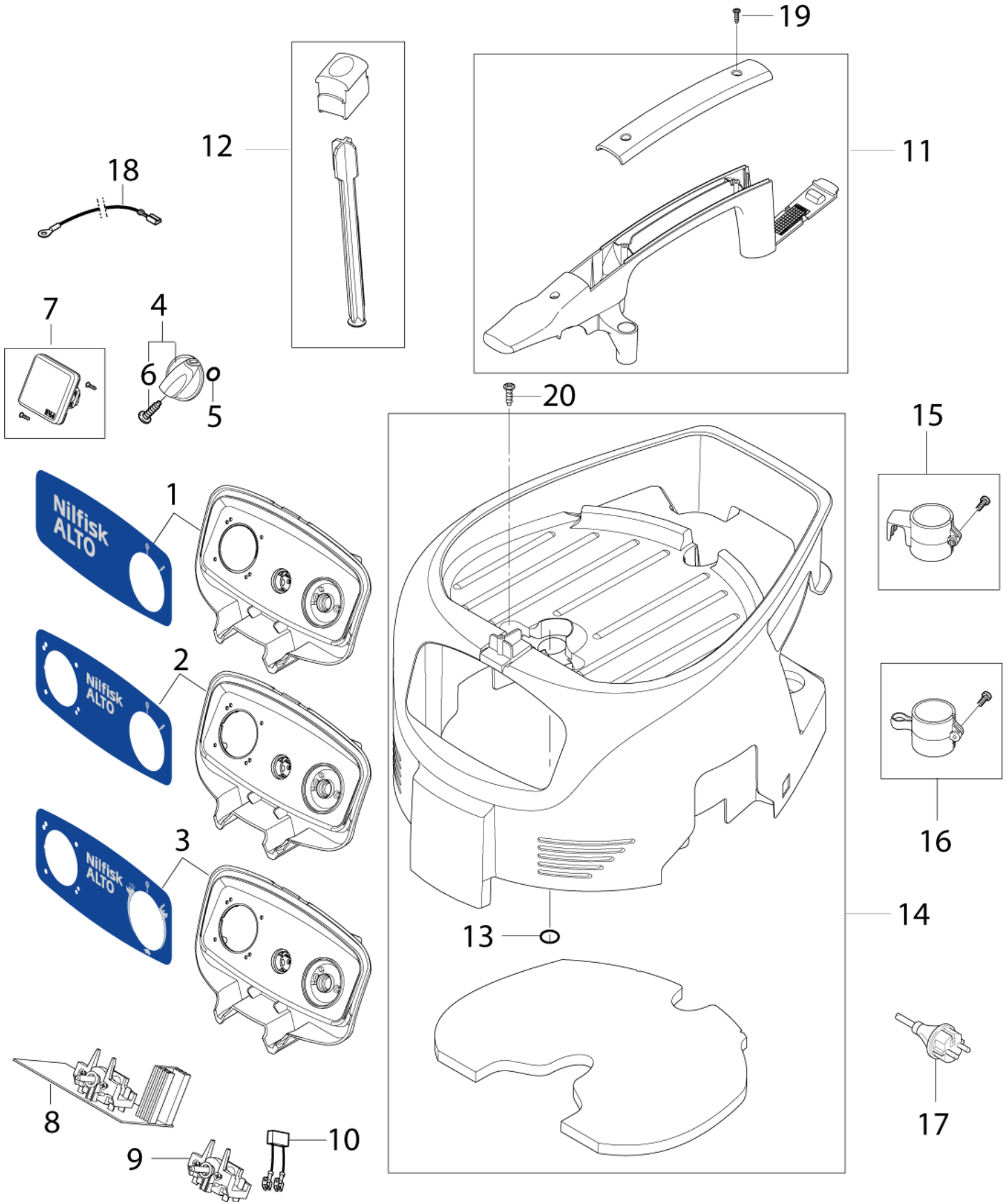
Cabinet Push Clean & Basic & XC

ATTIX 50 PC, XC, EC, Clean Room

12-12-2012

Part List ID
ATTIX3002

3



Cabinet Push Clean & Basic & XC

ATTIX 50 PC, XC, EC, Clean Room

12-12-2012

Part List ID
A111X3002

4

| Pos | Part no. | Qty | Description | |
|-----|-----------|-----|--|---|
| 0 | 302003502 | 1 | BOX KIT ATTIX 30 | |
| 0 | 302003503 | 1 | BOX KIT ATTIX 40 | |
| 1 | 302004047 | 1 | SWITCHBOX NILFISK-ALTO 01PC | |
| 2 | 302004048 | 1 | SWITCHBOX NILFISK-ALTO 11PC | |
| 3 | 302004049 | 1 | SWITCHBOX NILFISK-ALTO 21PC | for Push clean and XC |
| 4 | 909100204 | 1 | ROTARY KNOB 6X5 BLUE | |
| 5 | 9868 | 1 | O-RING 10.2X2.5 NBR 70 | |
| 6 | 32526 | 1 | TREAD-CUTTING SCREW 2.9X19 C ISO 1483 ZN | |
| 7 | 107400057 | 1 | SOCKET 16A/110V GB | |
| 7 | 107400058 | 1 | SOCKET 16A/250V GB | |
| 7 | 107400059 | 1 | SOCKET 16A/250V CH | |
| 7 | 107400060 | 1 | SOCKET 16A/250V DK | |
| 7 | 302004034 | 1 | SOCKET 16A/250V EU | |
| 7 | 302004036 | 1 | SOCKET 16A/250V FR | |
| 7 | 302004338 | 1 | SOCKET 15A/125V US/CSA | |
| 8 | 107400260 | 1 | AUTO ON-OFF PCB XC 230-240V | 230-240V |
| 8 | 107400261 | 1 | AUTO ON-OFF PCB XC 100-120V | 100-120V |
| 8 | 107400470 | 1 | AUTO ON-OFF ELECTRONIC PC | for -21 PC (100-120V) |
| 8 | 302004011 | 1 | AUTO ON-OFF SWITCH ELECTRONIC | for -21 PC (230-240V) |
| 8 | 302004060 | 1 | AUTO ON-OFF SWITCH E.SOFTSTART | for -11 PC & -01 PC with softstart (230-240V) |
| 9 | 302004035 | 1 | ON-OFF SWITCH | for -01 PC without softstart |
| 10 | 48338 | 1 | ANTI-INTERFERENCE CAPACITOR | |
| 11 | 107400062 | 1 | HANDLE | for Push clean |
| 11 | 302004050 | 1 | HANDLE | Basic/XC |
| 12 | 302004051 | 1 | FILTER DEDUSTER | Only Push Clean models |
| 13 | 302004061 | 1 | O-RING 25X2 NBR 70 | |
| 14 | 107400061 | 1 | COVER BLACK XC BASIC | |
| 14 | 302004046 | 1 | COVER BLACK PC | |
| 15 | 302004027 | 1 | TUBE HOLDER HOOK | |
| 16 | 107400064 | 1 | TUBE HOLDER SNAP | |
| 17 | 107400266 | 1 | CORD H05RR-F 2X0.75 CH | |
| 17 | 107400267 | 1 | CORD H05RR-F 3G1.0 CH | |
| 17 | 107400268 | 1 | CORD H05RR-F 2X0.75 GB | |
| 17 | 107400270 | 1 | CORD H05RR-F 3G1.5 BS1 363 GB | |
| 17 | 107400271 | 1 | CORD H07BQ-F 3G2.5 GB | |
| 17 | 107400272 | 1 | CORD H05RR-F 3G1.5 ZA | |
| 17 | 107402641 | 1 | POWER CORD H05RR-F 3G1.5X8X2 | |
| 17 | 107402642 | 1 | POWER CORD H05RR-F 3G1.0X8.2 | |
| 17 | 107402644 | 1 | POWER CORD H05RR-F2X0.75X8.25 | |
| 17 | 302000882 | 1 | POWER CORD SJTW-AWG16/3X8 | |
| 17 | 302004014 | 1 | CORD H07RN-F2X1X8.05 CEE7 EU | |
| 17 | 302004038 | 1 | POWER CORD H07RN-F2X1X8.05 | |
| 17 | 302004039 | 1 | CORD H05RR-F3GX0.75AS3112 AUNZ | |

Cabinet Push Clean & Basic & XC

ATTIX 50 PC, XC, EC, Clean Room

12-12-2012

Part List ID
A111X3002

5

| Pos | Part no. | Qty | Description |
|-----|-----------|-----|-------------------------------|
| 17 | 302004040 | 1 | CORD SJTW-A AWG16/2 JP |
| 18 | 107400263 | 1 | WIRE 2.5 X 250 YE/GR 100-120V |
| 18 | 107400264 | 1 | WIRE 1 X 150 220-240V |
| 19 | 302004032 | 1 | SCREW 3.5X18 |
| 20 | 302004029 | 1 | SCREW 5X18 |

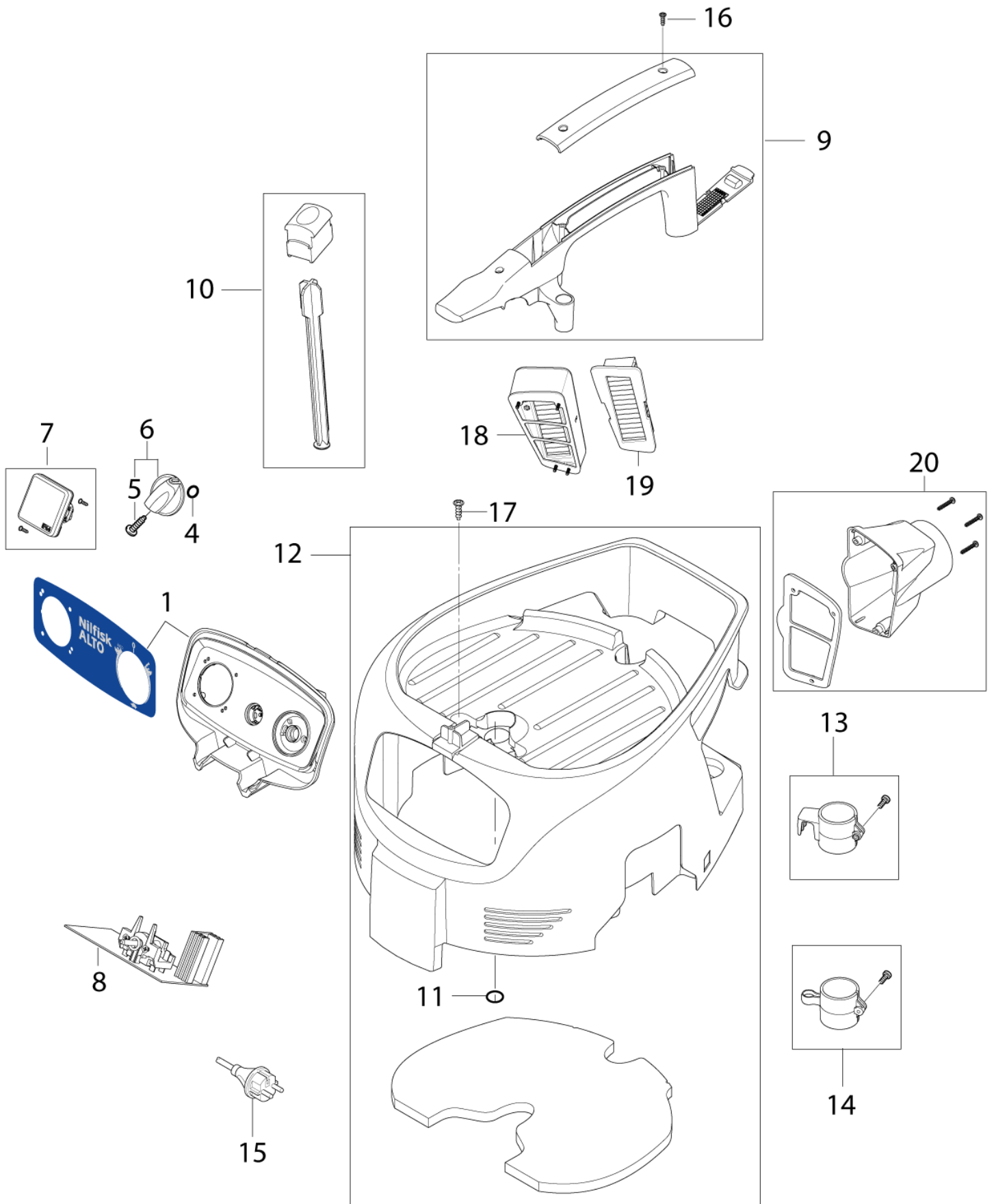
Cabinet EC and Clean Room

ATTIX 50 PC, XC, EC, Clean Room

12-12-2012

Part List ID
ATTIX5012

6



Cabinet EC and Clean Room

ATTIX 50 PC, XC, EC, Clean Room

12-12-2012

Part List ID
A111X5012

7

| Pos | Part no. | Qty | Description | |
|-----|-----------|-----|--|-----------------|
| 1 | 302004049 | 1 | SWITCHBOX NILFISK-ALTO 21PC | |
| 4 | 9868 | 1 | O-RING 10.2X2.5 NBR 70 | |
| 5 | 32526 | 1 | TREAD-CUTTING SCREW 2.9X19 C ISO 1483 ZN | |
| 6 | 909100204 | 1 | ROTARY KNOB 6X5 BLUE | |
| 7 | 302004034 | 1 | SOCKET 16A/250V EU | |
| 8 | 107400730 | 1 | ELECTRONICS 21 PC EC 230V SET1 | |
| 9 | 107400062 | 1 | HANDLE | |
| 10 | 302004051 | 1 | FILTER DEDUSTER | |
| 11 | 302004061 | 1 | O-RING 25X2 NBR 70 | |
| 12 | 302004046 | 1 | COVER BLACK PC | |
| 13 | 302004027 | 1 | TUBE HOLDER HOOK | |
| 14 | 107400064 | 1 | TUBE HOLDER SNAP | |
| 15 | 107402641 | 1 | POWER CORD H05RR-F 3G1.5X8X2 | |
| 16 | 302004032 | 1 | SCREW 3.5X18 | |
| 17 | 302004029 | 1 | SCREW 5X18 | |
| 18 | 302003721 | 1 | MOTOR COOLING FILTER KIT | Only Clean Room |
| 19 | 107400453 | 1 | FILTER FOR MOTOR COOLING 30/40/50 | Only Clean Room |
| 20 | 302003717 | 1 | EXHAUST AIR COLLECTOR | Only Clean Room |

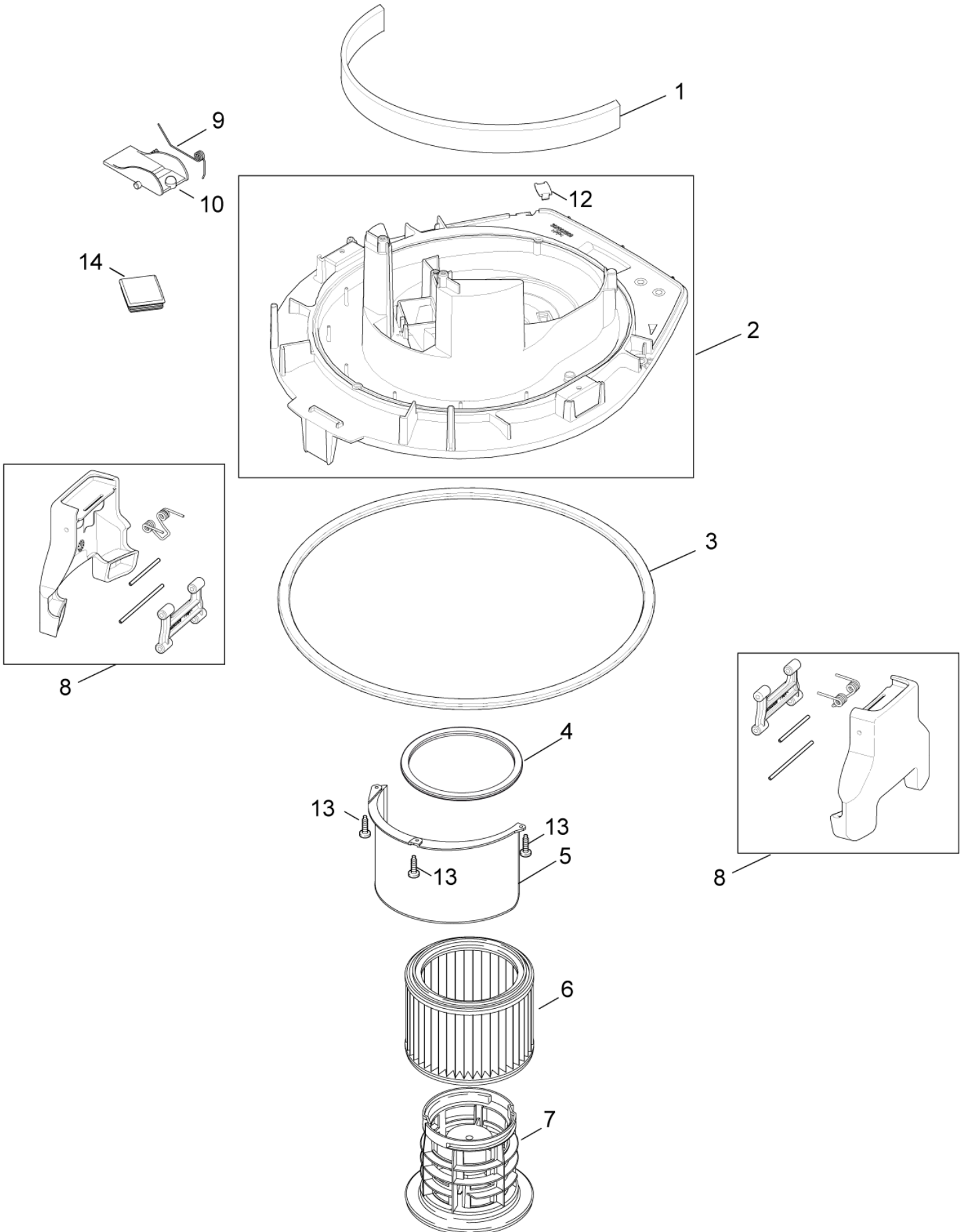
Filtersystem Push Clean & Basic

ATTIX 50 PC, XC, EC, Clean Room

12-12-2012

Part List ID
ATTIX3003

8



Filtersystem Push Clean & Basic

ATTIX 50 PC, XC, EC, Clean Room

12-12-2012

Part List ID
A111X3003

9

| Pos | Part no. | Qty | Description | |
|-----|-----------|-----|-------------------------------------|---------------------------------|
| 1 | 302004010 | 1 | SOUND INSULATION FRONT | |
| 2 | 302004007 | 1 | BASEPLATE PC | |
| 3 | 107400056 | 1 | GASKET FOR CONTAINER | ATTIX 50 |
| 3 | 302004008 | 1 | GASKET FOR CONTAINER | ATTIX 30 |
| 4 | 302000460 | 1 | GASKET FILTER | |
| 5 | 302004016 | 1 | DEFLECTOR | |
| 6 | 302000490 | 1 | FILTER ELEMENT D185X140 PET M-CLASS | |
| 6 | 302000658 | 1 | FILTER ELEMENT D211X140 H-CLASS | FOR ATTIX 50-21 PC CLEAN ROOM |
| 6 | 302001095 | 1 | FILTER ELEMENT D185X140 HEPA | HEPA |
| 7 | 107402646 | 1 | FILTER SUPPORT CAGE ATTIX PP | |
| 8 | 107400301 | 2 | CONTAINER CLAMP | * SEE NOTE |
| 9 | 909100083 | 1 | TORSION SPRING D0.9X18X45 INOX | |
| 10 | 302000344 | 1 | FLAP 79X53X25 ATTIX 30 | |
| 12 | 107401937 | 1 | PLUG BASE PLATE KIT | For machines up to week 35.2011 |
| 13 | 302004029 | 1 | SCREW 5X18 | |
| 14 | 302004058 | 1 | PLUG FOR BASIC | |

* NOTE TSB Vac-092 clamp and container

For machines produced before serial number 09110030030 use Container upgrade kit 107400311, ATTIX 30 or

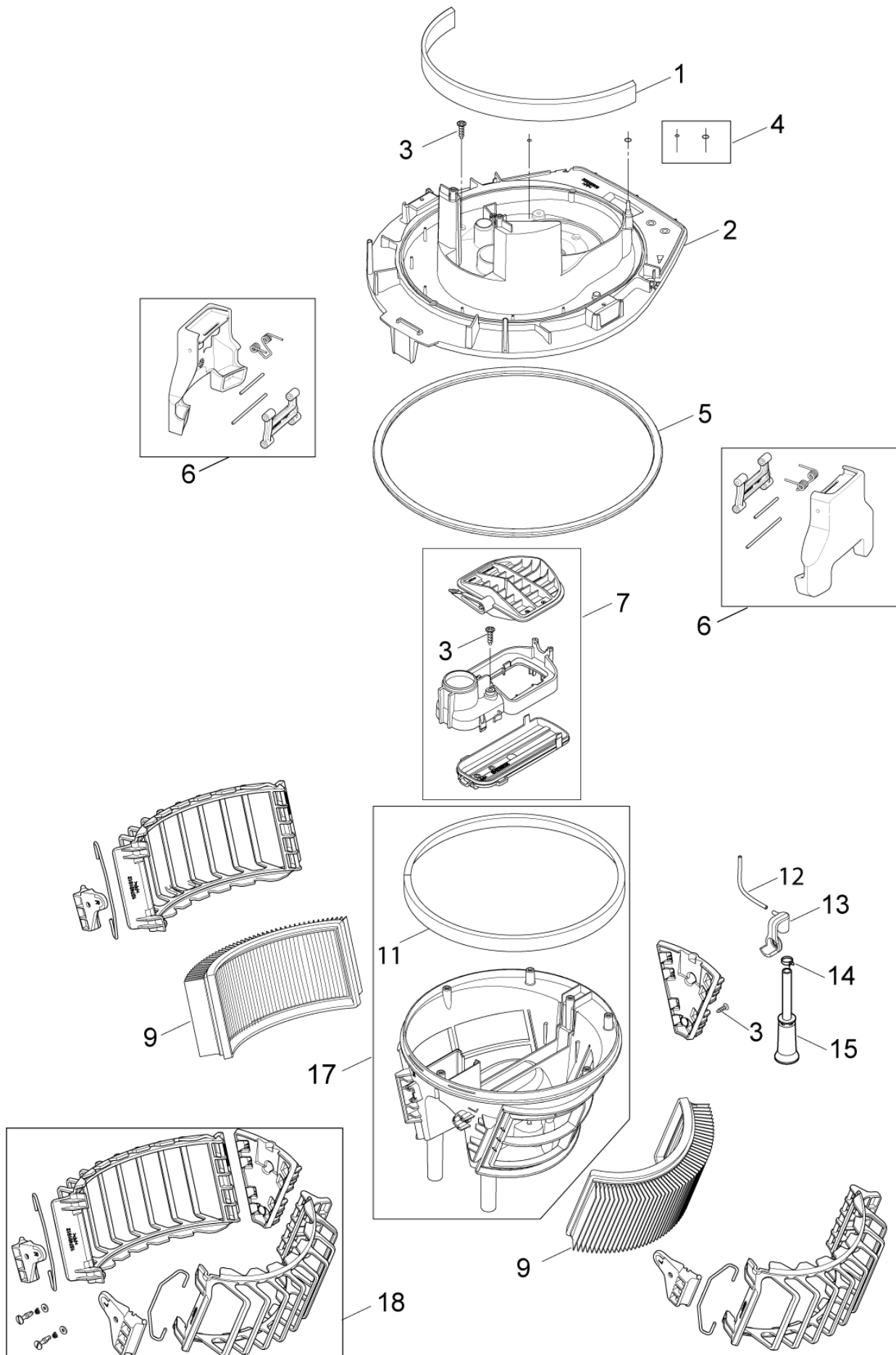
Filtersystem XC

ATTIX 50 PC, XC, EC, Clean Room

12-12-2012

Part List ID
ATTIX50XC10

10



Filtersystem XC

ATTIX 50 PC, XC, EC, Clean Room

12-12-2012

Part List ID
A111X50XC10

11

| Pos | Part no. | Qty | Description |
|-----|-----------|-----|--|
| 1 | 302004010 | 1 | SOUND INSULATION FRONT |
| 2 | 107400300 | 1 | BASEPLATE XC |
| 3 | 302004029 | 9 | SCREW 5X18 |
| 4 | 107400274 | 1 | O-RING XC KIT |
| 5 | 107400056 | 1 | GASKET FOR CONTAINER |
| 6 | 107400301 | 2 | CONTAINER CLAMP |
| 7 | 107400277 | 1 | CX FLAP KIT |
| 9 | 302002842 | 2 | FLAT FILTER PET NANO M-CLASS SET 2 PCS |
| 11 | 107400283 | 1 | SEALING FOR XC |
| 12 | 107400855 | 1 | HOSE D3X1.5 TURBINE SIDE XC |
| 13 | 107400310 | 1 | MOUNT FOR WATERLEVEL CONTROL |
| 14 | 107400285 | 1 | BAND CLAMP FITTING |
| 15 | 107400303 | 1 | HOSE D42X155 FILL LEV. SHUTOFF |
| 17 | 107400302 | 1 | FILTERBRACKET XC |
| 18 | 107402255 | 1 | FILTER MOUNTING KIT XC |

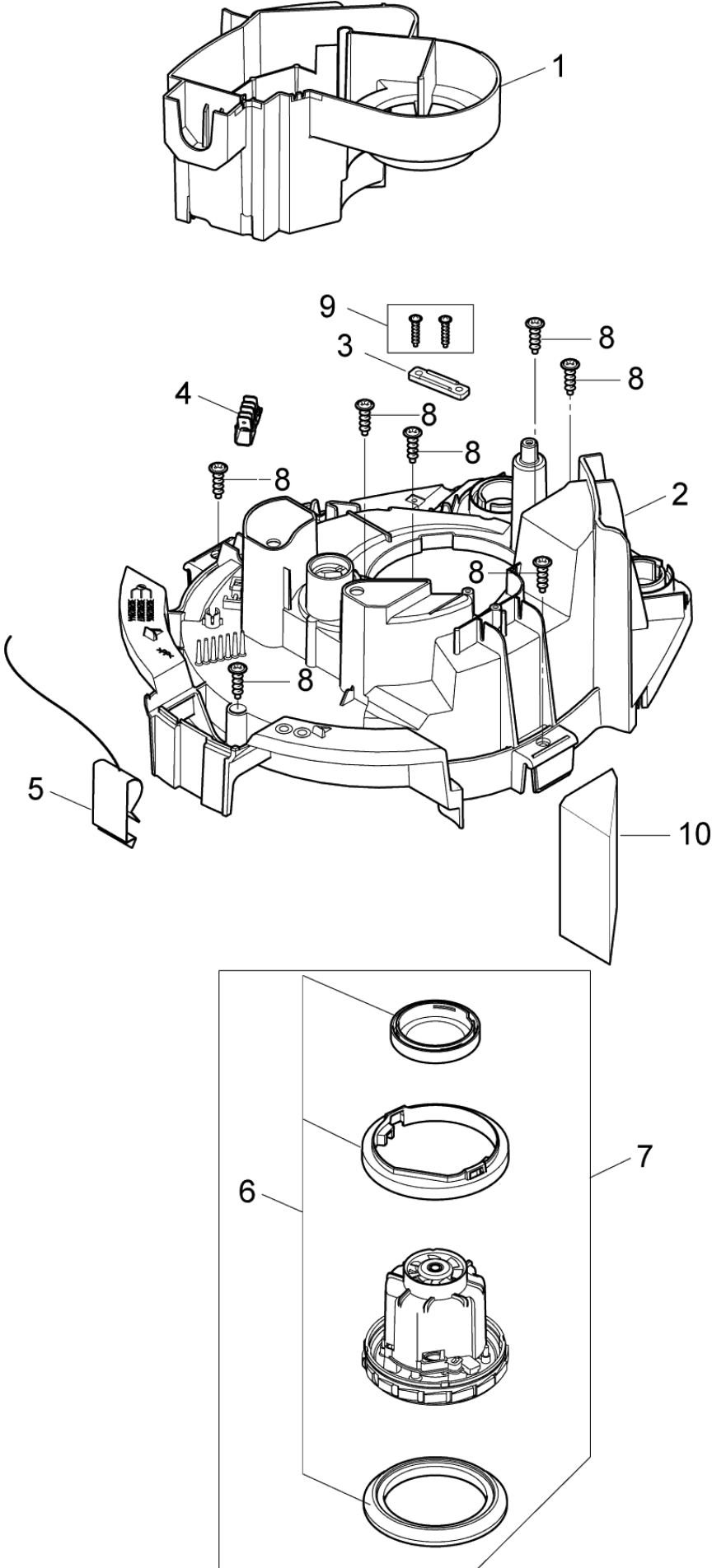
Motor Basic and Push Clean

ATTIX 50 PC, XC, EC, Clean Room

12-12-2012

Part List ID
ATTIX3005

12



Motor Basic and Push Clean

ATTIX 50 PC, XC, EC, Clean Room

12-12-2012

Part List ID
A111X3005

13

| Pos | Part no. | Qty | Description |
|-----|-----------|-----|------------------------------|
| 1 | 302004015 | 1 | AIRGUIDE * See note |
| 2 | 302004009 | 1 | CLAMPINGPLATE PC |
| 3 | 302004030 | 1 | STRAP FOR CABLE |
| 4 | 302004031 | 1 | DISTRIBUTION STRIP 6-POL 16A |
| 5 | 302004023 | 1 | CONTACT SPRING |
| 6 | 302003385 | 1 | SEALING KIT R |
| 7 | 302003384 | 1 | MOTOR KIT 1200W 230V |
| 7 | 302003388 | 1 | MOTOR KIT 1000W 120V |
| 7 | 302004006 | 1 | MOTOR 1200W/100V JP W.GASKET |
| 8 | 302004029 | 1 | SCREW 5X18 |
| 9 | 302004032 | 1 | SCREW 3.5X18 |
| 10 | 302004045 | 1 | SOUND INSULATION OUTLET |

* Note: During service or repair of vacuum head always change Airguide 302004015 and Cover for air circuit 107401051

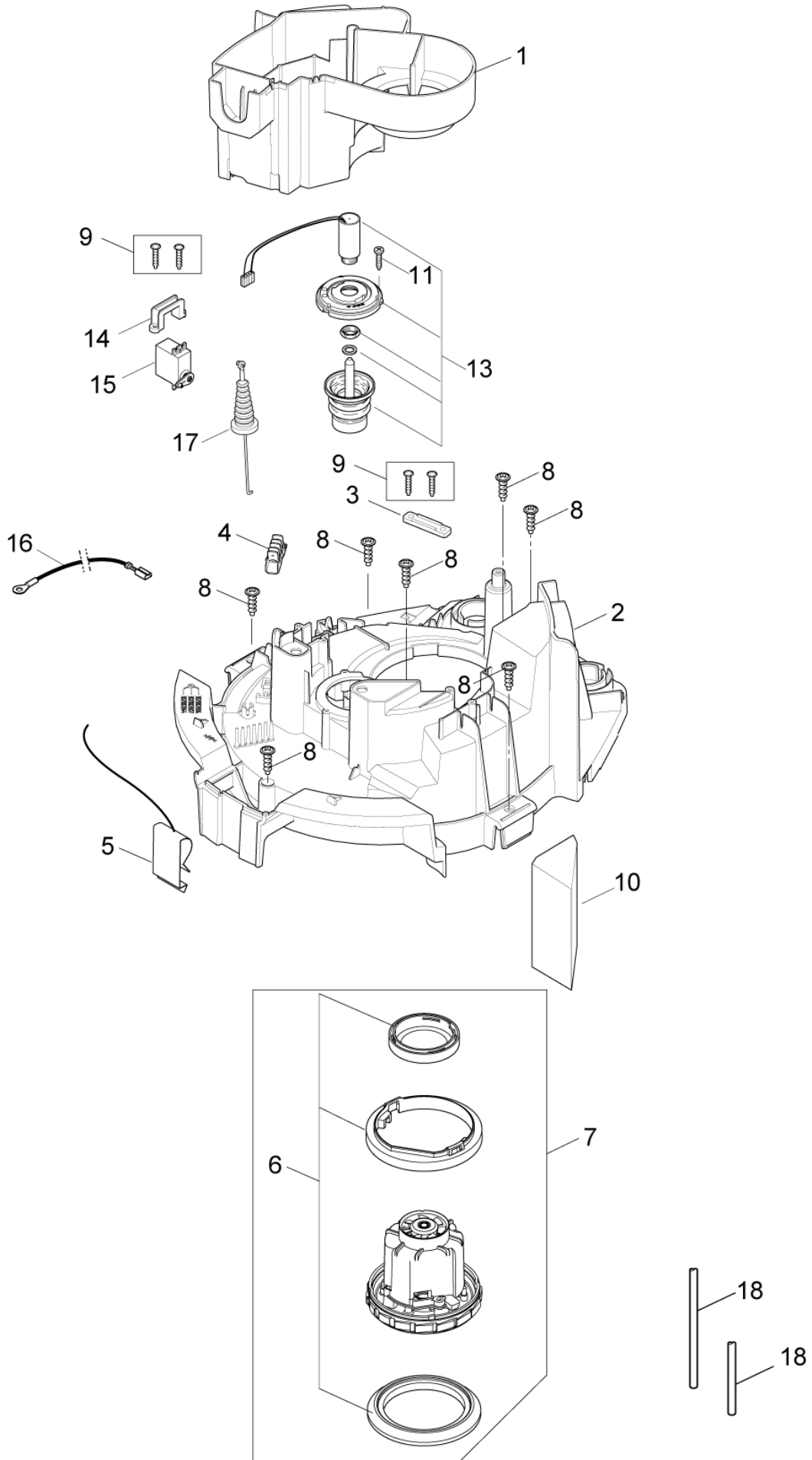
Motor XC

ATTIX 50 PC, XC, EC, Clean Room

12-12-2012

Part List ID
ATTIX3007

14



Motor XC

ATTIX 50 PC, XC, EC, Clean Room

12-12-2012

Part List ID
A111X3007

15

| Pos | Part no. | Qty | Description |
|-----|-----------|-----|------------------------------|
| 1 | 302004015 | 1 | AIRGUIDE * See note |
| 2 | 107400287 | 1 | CLAMPINGPLATE XC |
| 3 | 302004030 | 1 | STRAP FOR CABLE |
| 4 | 302004031 | 1 | DISTRIBUTION STRIP 6-POL 16A |
| 5 | 302004023 | 1 | CONTACT SPRING |
| 6 | 302003385 | 1 | SEALING KIT R |
| 7 | 302003384 | 1 | MOTOR KIT 1200W 230V |
| 7 | 302004006 | 1 | MOTOR 1200W/100V JP W.GASKET |
| 8 | 302004029 | 1 | SCREW 5X18 |
| 9 | 302004032 | 1 | SCREW 3.5X18 |
| 10 | 302004045 | 1 | SOUND INSULATION OUTLET |
| 11 | 302003319 | 3 | SCREW KIT ATTIX/IVB |
| 13 | 107400291 | 1 | MAGNET 24V FPR 230V MACHINE |
| 13 | 107400292 | 1 | MAGNET 12V FPR 110V MACHINE |
| 14 | 107400289 | 1 | SERVO BRACKET |
| 15 | 107400290 | 1 | SERVO FOR XC |
| 16 | 107400262 | 1 | WIRE 1X200 YELLOW/GREEN |
| 17 | 107400276 | 1 | SERVO WIRE XC |
| 18 | 107400309 | 2 | HOSE D3X1.5 TURBINE SIDE XC |

* Note: During service or repair of vacuum head always change Airguide 302004015 and Cover for air circuit 107401051

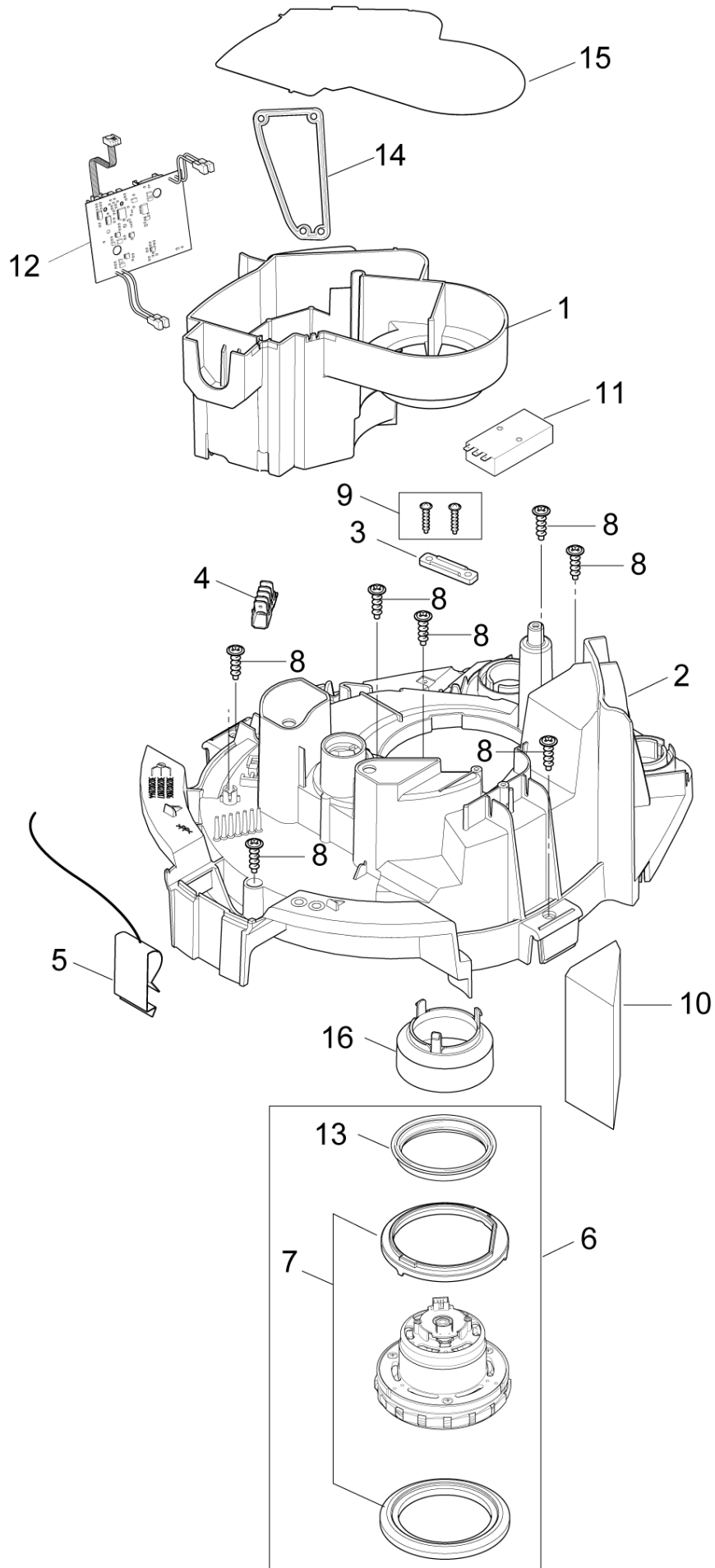
Motor EC and Clean Room

ATTIX 50 PC, XC, EC, Clean Room

12-12-2012

Part List ID
ATTIX5008

16



Motor EC and Clean Room

ATTIX 50 PC, XC, EC, Clean Room

12-12-2012

Part List ID
A111X5008

17

| Pos | Part no. | Qty | Description | |
|-----|-----------|-----|------------------------------|-------------------------|
| 1 | 302004015 | 1 | AIRGUIDE | * See note |
| 2 | 302004009 | 1 | CLAMPINGPLATE PC | |
| 3 | 302004030 | 1 | STRAP FOR CABLE | |
| 4 | 302004031 | 1 | DISTRIBUTION STRIP 6-POL 16A | |
| 5 | 302004023 | 1 | CONTACT SPRING | |
| 6 | 107400042 | 1 | MOTOR EC SET | |
| 7 | 302003648 | 1 | SEALING KIT R | |
| 8 | 302004029 | 1 | SCREW 5X18 | |
| 9 | 302004032 | 1 | SCREW 3.5X18 | |
| 10 | 302004045 | 1 | SOUND INSULATION OUTLET | |
| 11 | 107402619 | 1 | SCREENING FILTER KIT | |
| 12 | 107400044 | 1 | ELECTRONIC EC MOTOR KIT | |
| 13 | 47364 | 1 | PACKING RING 108X86X18 | |
| 14 | 107401050 | 1 | INNER SEALING ATTIX 30-40-50 | EC and Clean Room |
| 15 | 107401051 | 1 | COVER FOR AIR CIRCUIT | Clean Room - * See note |
| 16 | 107401936 | 1 | HOOD FOR EC | |

* Note: During service or repair of vacuum head always change Airguide 302004015 and Cover for air circuit 107401051

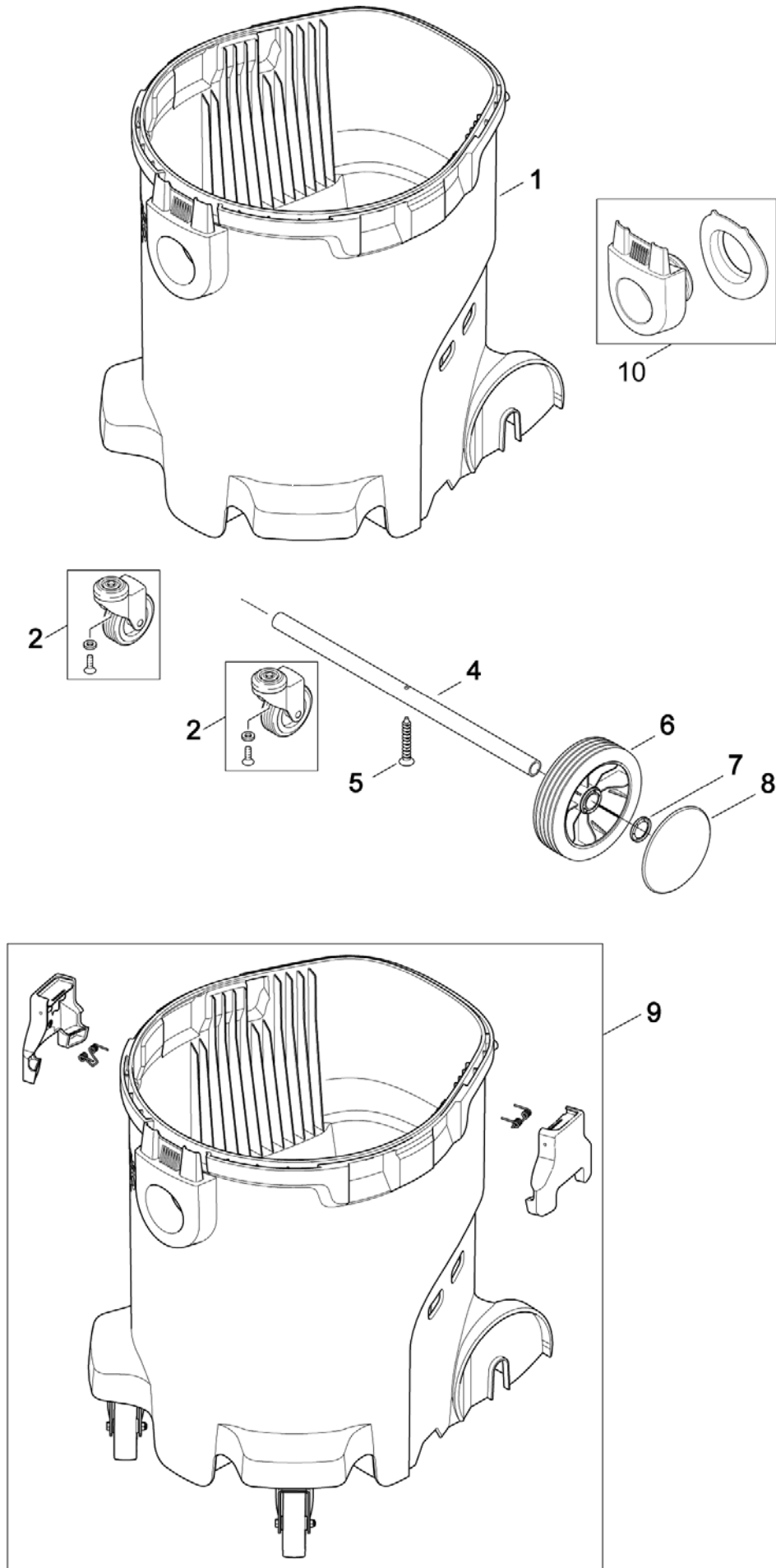
Container ATTIX 50

ATTIX 50 PC, XC, EC, Clean Room

12-12-2012

Part List ID
ATTIX5006

18



Container ATTIX 50

ATTIX 50 PC, XC, EC, Clean Room

12-12-2012

Part List ID
A111X5006

19

| Pos | Part no. | Qty | Description | |
|-----|-----------|-----|--------------------------------|------------|
| 1 | 107400305 | 1 | CONTAINER WITH FITTING ATTIX50 | * SEE NOTE |
| 2 | 302004059 | 2 | FRONT WHEEL FOR CONTAINER | |
| 4 | 302004022 | 1 | WHEEL AXLE | |
| 5 | 107400063 | 1 | SCREW 5X35 | |
| 6 | 302000639 | 2 | WHEEL D150X20 BLACK | |
| 7 | 47302 | 2 | CLAMPING RING 28.6 20 | |
| 8 | 67050 | 2 | HUB CAP | |
| 9 | 107400312 | 1 | CONTAINER KIT ATTIX 50 | * SEE NOTE |
| 10 | 107402742 | 1 | INLET - KIT FOR ATTIX 30/50 | |

* NOTE TSB Vac-092 clamp and container

For machines produced before serial number 09110030030 use Container upgrade kit 107400312

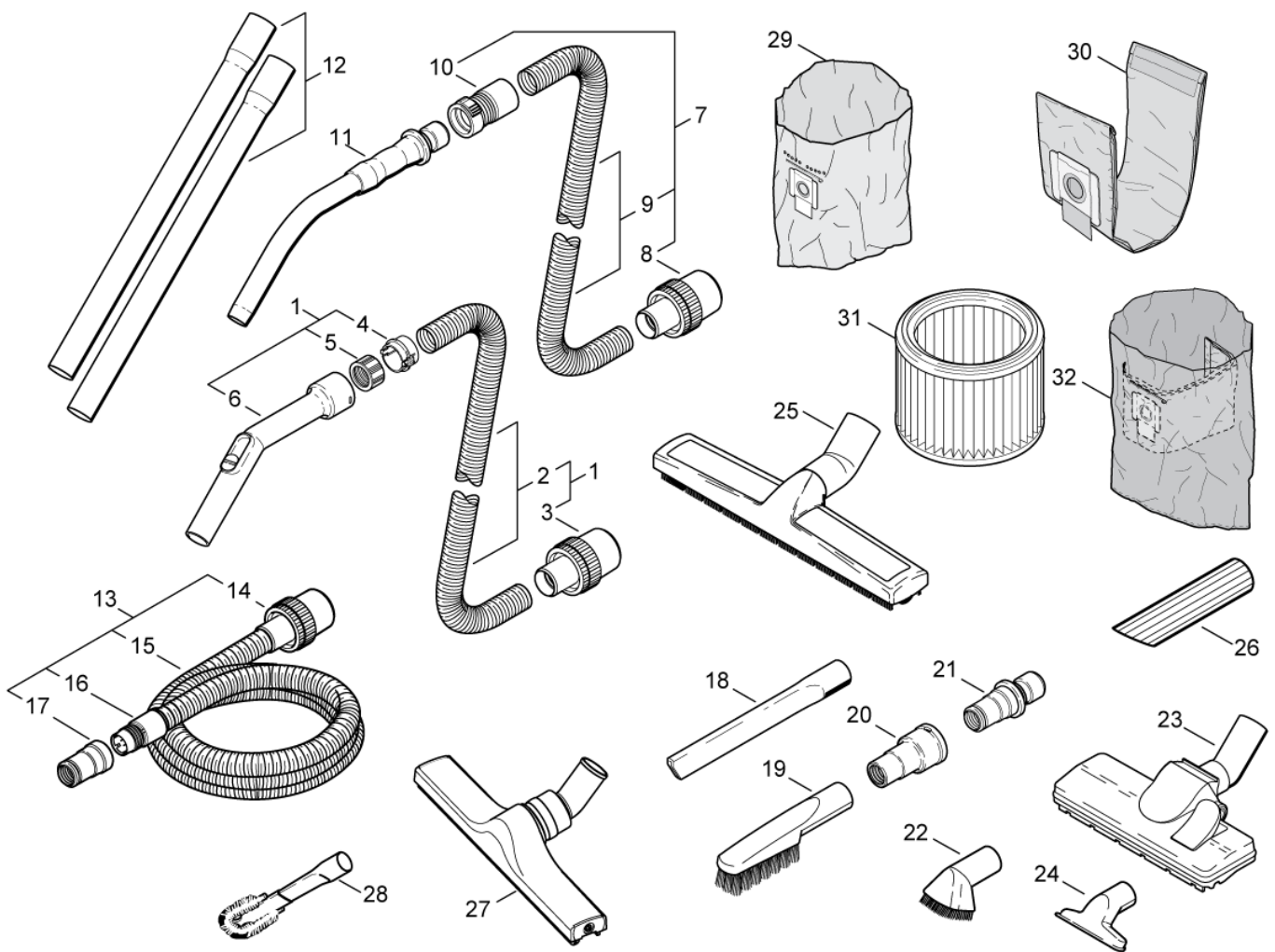
Default accessories

ATTIX 50 PC, XC, EC, Clean Room

12-12-2012

Part List ID
ATTIX5010

20



Default accessories

ATTIX 50 PC, XC, EC, Clean Room

12-12-2012

Part List ID
A111X5010

21

| Pos | Part no. | Qty | Description | |
|-----|-----------|-----|---|----------------------------|
| 1 | 302000473 | 1 | UNIV HOSE WITH HAND TUBED36X | |
| 2 | 14240 | 1 | HOSE UNIVERSAL Ø 32 | |
| 3 | 15103 | 1 | HOSE SLEEVE Ø 32/50 | |
| 4 | 61154 | 1 | RING Ø 32 | |
| 5 | 302000476 | 1 | BUSHING 32 | |
| 6 | 60911 | 1 | CURVED HAND TUBE Ø 32/ Ø 35 | |
| 7 | 46948 | 1 | UNIV HOSED36X3000MM FOR | |
| 8 | 15102 | 1 | HOSE SLEEVE Ø 36/50 | |
| 9 | 11985 | 1 | HOSE UNIVERSAL Ø 36 | |
| 10 | 46690 | 1 | HOSE SLEEVE B1 Ø 36 | |
| 11 | 302000528 | 1 | CURVED HAND TUBE D36MM CR | |
| 12 | 107400032 | 1 | EXTENSION TUBE D36 2X500MM ALU | |
| 12 | 15546 | 1 | EXTEN TUBE Ø36 2X500MM SS | |
| 12 | 302000529 | 1 | EXTEN TUBE 36 2X500MM CR | |
| 13 | 15325 | 1 | HOSE D27X3500 AS WITH TOOL ADAPTER | |
| 14 | 15369 | 1 | HOSE SLEEVE Ø 27/50 AS | |
| 15 | 15326 | 1 | HOSE AS Ø 27 PER METRE | |
| 16 | 63509 | 1 | HOSE SLEEVE D27 | |
| 17 | 107404520 | 1 | TOOL ADAPTER D27/36-24 AS | |
| 18 | 6084 | 1 | CREVICE NOZZLE Ø36X300 PP | |
| 19 | 6086 | 1 | BRUSH NOZZLE Ø36X230 PP/PA | |
| 20 | 60916 | 1 | TOOL SOCKET D27/35/38 | |
| 21 | 302000535 | 1 | TOOL ADAPTER D27 QUICKSYSTEM | |
| 22 | 5146 | 1 | BRUSH NOZZLE Ø36X70 KU | |
| 23 | 302000477 | 1 | COMBI NOZZLE 260XØ36MM | |
| 24 | 14295 | 1 | UNIVERSAL NOZZLE D36X115 | |
| 25 | 60356 | 1 | NOZZLE 360X Ø 36MM | |
| 26 | 5067 | 1 | DIAGONAL TUBE NOZZLE Ø36 RUBBER | |
| 27 | 302003666 | 1 | INDST.FL.NOZZ.36X400MM W/BRUS. | |
| 27 | 302003796 | 1 | REPLACEMENT BRUSH STRIPS. SET OF 2 PCS. | For floor nozzle 302003666 |
| 27 | 302003797 | 1 | REPLACEMENT RUBBER LIPS. SET OF 2 PCS. | For floor nozzle 302003666 |
| 28 | 5144 | 1 | RADIATOR BRUSH NOZZLE Ø36X420 | |
| 29 | 302000728 | 1 | DISPOSAL BAG SET5 ATTIX 5/50 | |
| 30 | 302004004 | 1 | FLEECE FILTER BAG 40/50 SET 5pcs | |
| 31 | 302000490 | 1 | FILTER ELEMENT D185X140 PET M-CLASS | |
| 50 | 107400453 | 1 | FILTER FOR MOTOR COOLING 30/40/50 | See link |
| 50 | 302000490 | 1 | FILTER ELEMENT D185X140 PET M-CLASS | See link |
| 50 | 302002842 | 1 | FLAT FILTER PET NANO M-CLASS SET 2 PCS | See link |
| 50 | 302003717 | 1 | EXHAUST AIR COLLECTOR | See link |
| 50 | 302003721 | 1 | MOTOR COOLING FILTER KIT | See link |

RECOMMENDED SPARE PARTS

ATTIX 50 PC, XC, EC, Clean Room

12-12-2012

Part List ID

ATTIX5014

22

No Drawing For Part List

RECOMMENDED SPARE PARTS

ATTIX 50 PC, XC, EC, Clean Room

12-12-2012

Part List ID
AI11X5014

23

| Pos | Part no. | Qty | Description | |
|-----|-----------|-----|-----------------------------------|---------------------------|
| 1 | 107400042 | 1 | MOTOR EC SET | |
| 1 | 107400044 | 1 | ELECTRONIC EC MOTOR KIT | |
| 1 | 107400056 | 1 | GASKET FOR CONTAINER | ATTIX 50 |
| 1 | 107400057 | 1 | SOCKET 16A/110V GB | |
| 1 | 107400058 | 1 | SOCKET 16A/250V GB | |
| 1 | 107400059 | 1 | SOCKET 16A/250V CH | |
| 1 | 107400060 | 1 | SOCKET 16A/250V DK | |
| 1 | 107400064 | 1 | TUBE HOLDER SNAP | |
| 1 | 107400260 | 1 | AUTO ON-OFF PCB XC 230-240V | 230-240V |
| 1 | 107400261 | 1 | AUTO ON-OFF PCB XC 100-120V | 100-120V |
| 1 | 107400266 | 1 | CORD H05RR-F 2X0.75 CH | |
| 1 | 107400267 | 1 | CORD H05RR-F 3G1.0 CH | |
| 1 | 107400268 | 1 | CORD H05RR-F 2X0.75 GB | |
| 1 | 107400270 | 1 | CORD H05RR-F 3G1.5 BS1 363 GB | |
| 1 | 107400271 | 1 | CORD H07BQ-F 3G2.5 GB | |
| 1 | 107400272 | 1 | CORD H05RR-F 3G1.5 ZA | |
| 1 | 107400274 | 1 | O-RING XC KIT | FILTERSYSTEM XC |
| 1 | 107400276 | 1 | SERVO WIRE XC | |
| 1 | 107400277 | 1 | CX FLAP KIT | FILTERSYSTEM XC |
| 1 | 107400283 | 1 | SEALING FOR XC | FILTERSYSTEM XC |
| 1 | 107400287 | 1 | CLAMPINGPLATE XC | |
| 1 | 107400290 | 1 | SERVO FOR XC | |
| 1 | 107400291 | 1 | MAGNET 24V FPR 230V MACHINE | |
| 1 | 107400292 | 1 | MAGNET 12V FPR 110V MACHINE | |
| 1 | 107400300 | 1 | BASEPLATE XC | FILTERSYSTEM XC |
| 1 | 107400301 | 1 | CONTAINER CLAMP | SEE NOTE* |
| 1 | 107400309 | 1 | HOSE D3X1.5 TURBINE SIDE XC | |
| 1 | 107400312 | 1 | CONTAINER KIT ATTIX 50 | SEE NOTE* |
| 1 | 107400453 | 1 | FILTER FOR MOTOR COOLING 30/40/50 | ONLY CLEAN ROOM |
| 1 | 107400730 | 1 | ELECTRONICS 21 PC EC 230V SET1 | |
| 1 | 107401050 | 1 | INNER SEALING ATTIX 30-40-50 | EC AND CLEAN ROOM |
| 1 | 107401051 | 1 | COVER FOR AIR CIRCUIT | CLEAN ROOM - SEE NOTE |
| 1 | 107401936 | 1 | HOOD FOR EC | EC AND CLEAN ROOM |
| 1 | 107402255 | 1 | FILTER MOUNTING KIT XC | FILTERSYSTEM XC FROM 2009 |
| 1 | 107402255 | 1 | FILTER MOUNTING KIT XC | |
| 1 | 107402619 | 1 | SCREENING FILTER KIT | |
| 1 | 107402641 | 1 | POWER CORD H05RR-F 3G1.5X8.2 | |
| 1 | 107402642 | 1 | POWER CORD H05RR-F 3G1.0X8.2 | |
| 1 | 107402644 | 1 | POWER CORD H05RR-F2X0.75X8.25 | |
| 1 | 107402646 | 1 | FILTER SUPPORT CAGE ATTIX PP | |

* NOTE TSB Vac-092 clamp and container

For machines produced before serial number 09110030030 use Container upgrade kit 107400311, ATTIX 30 or 107400312, ATTIX 50

RECOMMENDED SPARE PARTS

ATTIX 50 PC, XC, EC, Clean Room

12-12-2012

Part List ID
AI11X5014

24

| Pos | Part no. | Qty | Description | |
|-----|-----------|-----|--|------------------------------------|
| 1 | 302000460 | 1 | GASKET FILTER | |
| 1 | 302000490 | 1 | FILTER ELEMENT D185X140 PET M-CLASS | |
| 1 | 302000639 | 1 | WHEEL D150X20 BLACK | |
| 1 | 302000728 | 1 | DISPOSAL BAG SET5 ATTIX 5/50 | |
| 1 | 302000882 | 1 | POWER CORD SJTW-AWG16/3X8 | |
| 1 | 302001095 | 1 | FILTER ELEMENT D185X140 HEPA | HEPA |
| 1 | 302002842 | 1 | FLAT FILTER PET NANO M-CLASS SET 2 PCS | FILTERSYSTEM XC |
| 1 | 302002842 | 1 | FLAT FILTER PET NANO M-CLASS SET 2 PCS | |
| 1 | 302003384 | 1 | MOTOR KIT 1200W 230V | |
| 1 | 302003385 | 1 | SEALING KIT R | |
| 1 | 302003388 | 1 | MOTOR KIT 1000W 120V | |
| 1 | 302003648 | 1 | SEALING KIT R | |
| 1 | 302003717 | 1 | EXHAUST AIR COLLECTOR | ONLY CLEAN ROOM |
| 1 | 302003721 | 1 | MOTOR COOLING FILTER KIT | ONLY CLEAN ROOM |
| 1 | 302004004 | 1 | FLEECE FILTER BAG 40/50 SET 5pcs | |
| 1 | 302004006 | 1 | MOTOR 1200W/100V JP W.GASKET | |
| 1 | 302004007 | 1 | BASEPLATE PC | |
| 1 | 302004008 | 1 | GASKET FOR CONTAINER | ATTIX 30 |
| 1 | 302004009 | 1 | CLAMPINGPLATE PC | |
| 1 | 302004011 | 1 | AUTO ON-OFF SWITCH ELECTRONIC | FOR -21 PC |
| 1 | 302004014 | 1 | CORD H07RN-F2X1X8.05 CEE7 EU | |
| 1 | 302004015 | 1 | AIRGUIDE | SEE NOTE** |
| 1 | 302004023 | 1 | CONTACT SPRING | |
| 1 | 302004027 | 1 | TUBE HOLDER HOOK | |
| 1 | 302004034 | 1 | SOCKET 16A/250V EU | |
| 1 | 302004035 | 1 | ON-OFF SWITCH | FOR -01 PC WITHOUT SOFTSTART |
| 1 | 302004036 | 1 | SOCKET 16A/250V FR | |
| 1 | 302004038 | 1 | POWER CORD H07RN-F2X1X8.05 | |
| 1 | 302004039 | 1 | CORD H05RR-F3GX0.75AS3112 AUNZ | |
| 1 | 302004040 | 1 | CORD SJTW-A AWG16/2 JP | |
| 1 | 302004058 | 1 | PLUG FOR BASIC | |
| 1 | 302004059 | 1 | FRONT WHEEL FOR CONTAINER | |
| 1 | 302004060 | 1 | AUTO ON-OFF SWITCH E.SOFTSTART | FOR -11 PC & -01 PC WITH SOFTSTART |
| 1 | 302004338 | 1 | SOCKET 15A/125V US/CSA | |
| 1 | 47302 | 1 | CLAMPING RING 28.6 20 | |
| 1 | 47364 | 1 | PACKING RING 108X86X18 | |

* NOTE TSB Vac-092 clamp and container

For machines produced before serial number 09110030030 use Container upgrade kit 107400311, ATTIX 30 or 107400312, ATTIX 50