

BK 800

Model:
BK 800



Part List English

16-09-2011

Table of Contents

BK 800

Push handle	3
Container	5
Side brush	7
Chassis	9
Wheels. Main brush	11

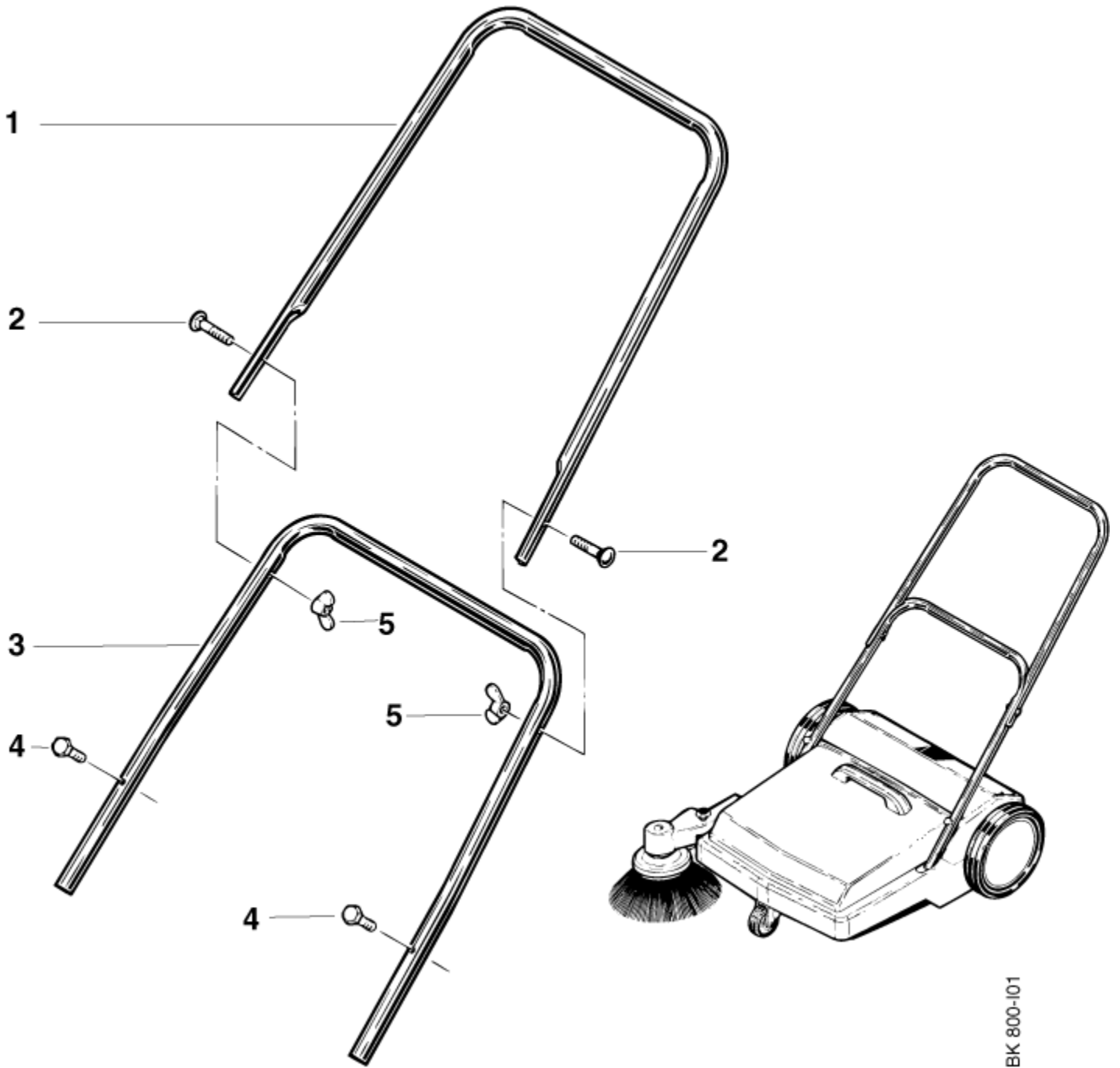
Push handle

BK 800

16-09-2011

Part List ID BK80001

3



BK 800-101

Push handle

BK 800

16-09-2011

Part List ID

BK80001

4

Pos	Part no.	Qty	Description	EAN
1	43190	1	HANDLE	4005337431
2	8885	2	MUSHROOM HEAD SCREW	4005337088
3	42965	1	HANDLE ASSEMBLY	4005337429
4	3285	2	HEX. SCREW M6X35 ISO 4017 ZN	4005337032
5	11722	2	WING NUT	4005337117

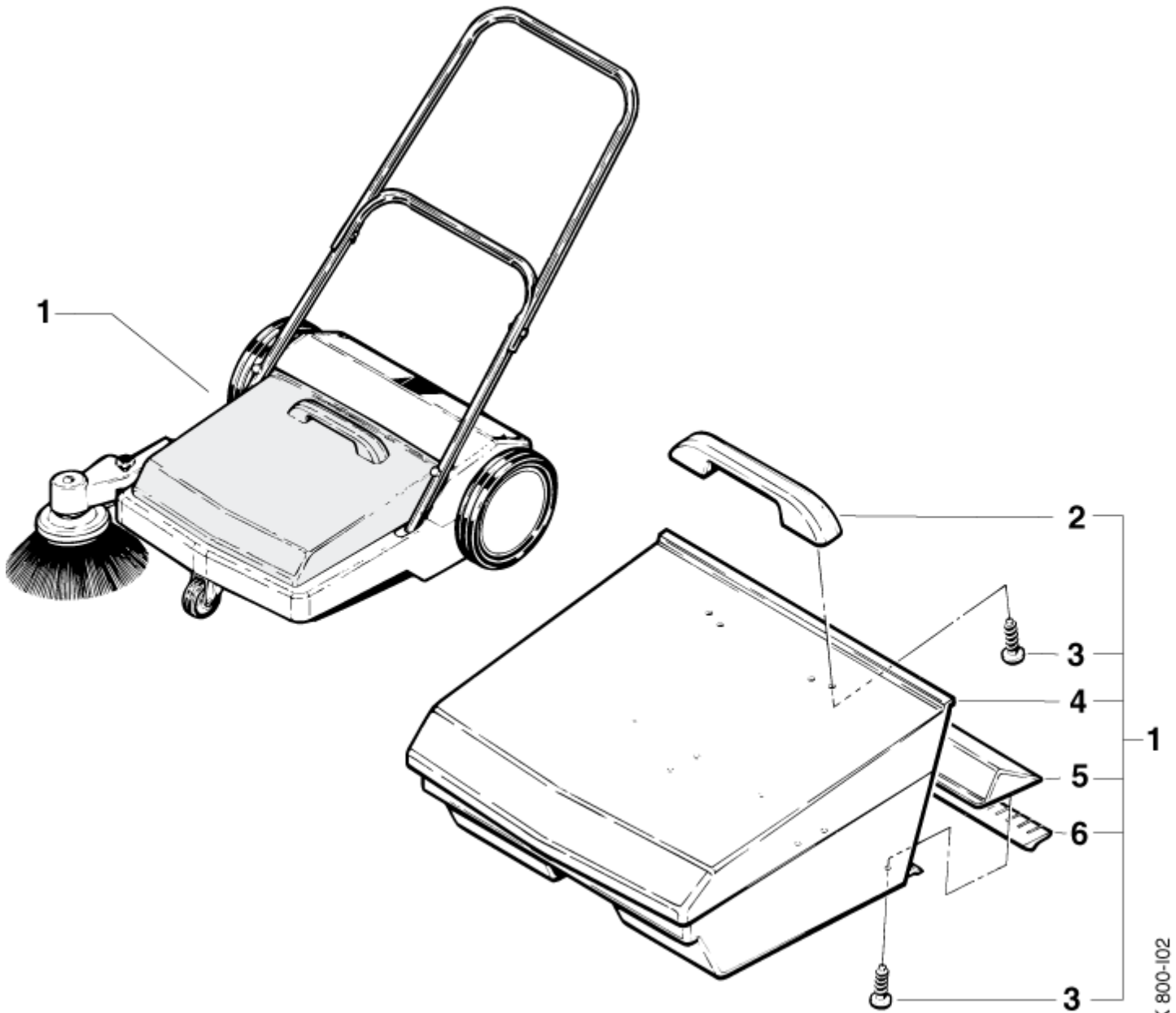
Container

BK 800

16-09-2011

Part List ID BK80002

5



BK 800-102

Container

BK 800

16-09-2011

Part List ID
BK80002

6

Pos	Part no.	Qty	Description	EAN
1	67095	1	TANK FOR BK800	4005337670
2	43191	1	BOW TYPE HANDLE	4005337431
3	10028	11	STEEL SCREW FOR SYNTH MAT	4005337100
4	67094	1	TANK BK 800 ALTO CLARKE	5701715329
5	43192	1	BRACKET	4005337431
6	43285	1	RUBBER LIPS	4005337432

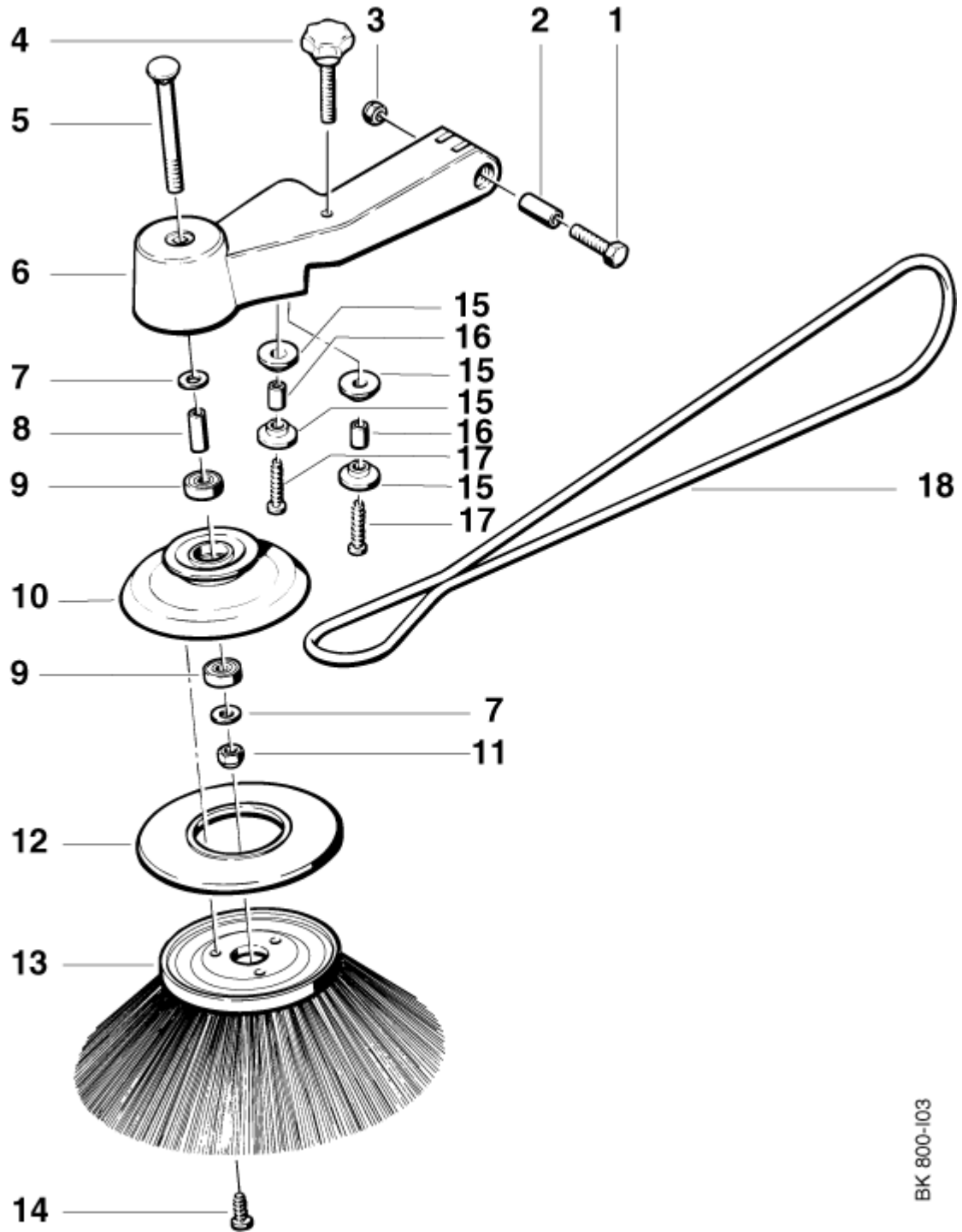
Side brush

BK 800

16-09-2011

Part List ID
BK80003

7



BK 800-103

Side brush

BK 800

16-09-2011

Part List ID
BK80003

8

Pos	Part no.	Qty	Description	EAN
1	3213	1	HEXAGONAL BOLT	4005337032
2	43194	1	PIPE	4005337431
3	6052	1	HEX.NUT	4005337060
4	43286	1	BOLT FOR BK 900	4005337432
5	43289	1	BOLT	4005337432
6	43193	1	PART FOR BK 800	4005337431
7	2767	2	WASHER	4005337027
8	43290	1	SPACER	4005337432
9	20938	2	BEARING w as 2809	4005337209
10	43292	1	DRIVE DISC MOULDING	4005337432
11	8952	1	NUT	4005337089
12	43293	1	DISC MOULDING	4005337432
13	42321	1	BK 800 SIDE BRUSH	4005337423
14	43342	3	SCREW	4005337433
15	43287	4	WASHER	4005337432
16	43288	2	BUSHING	4005337432
17	43345	2	SCREW	4005337433
18	42396	1	V BELT	4005337423

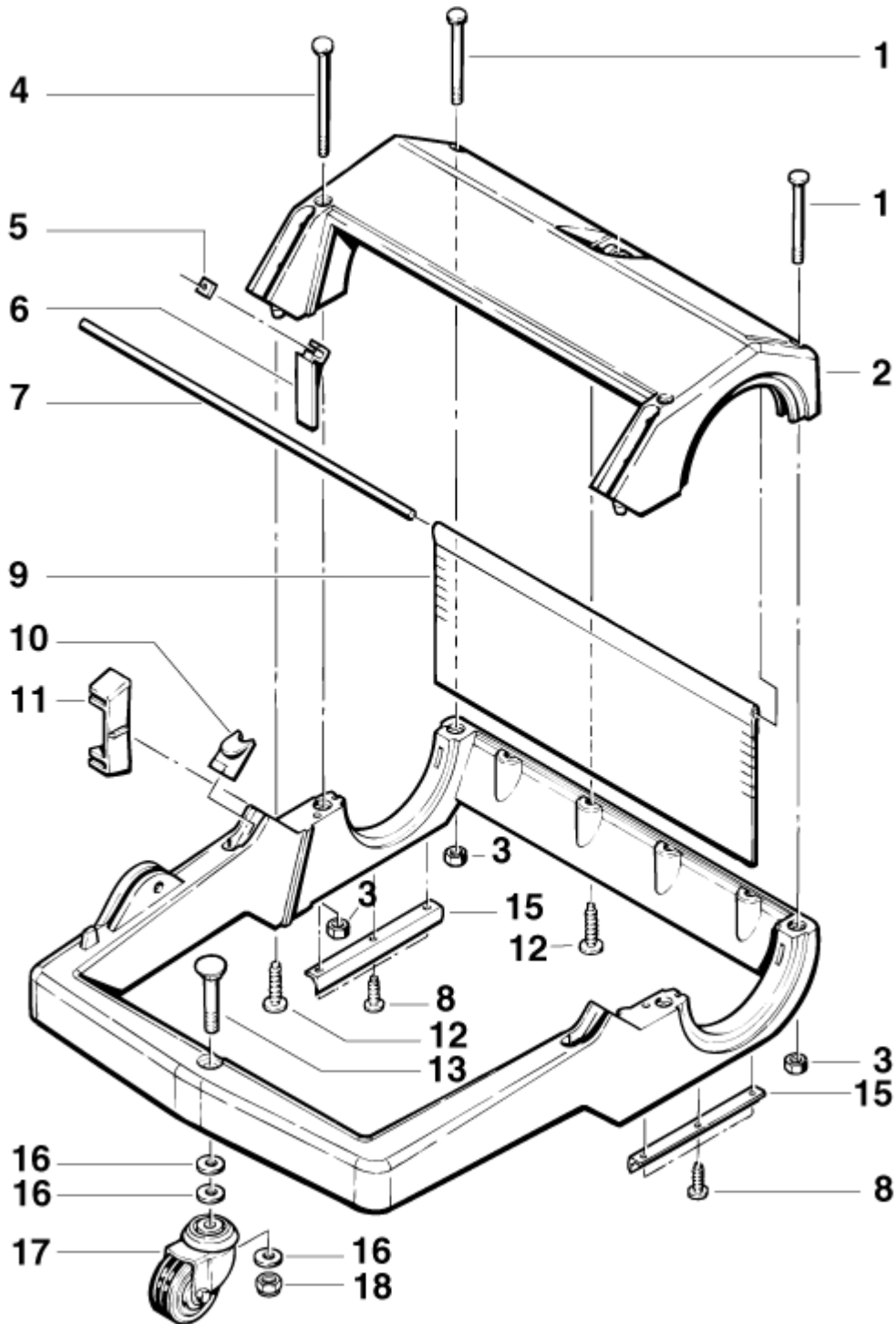
Chassis

BK 800

16-09-2011

Part List ID
BK80004

9



BK 800-104

Chassis

BK 800

16-09-2011

Part List ID

BK80004

10

Pos	Part no.	Qty	Description	EAN
1	43304	2	ROUND-HEAD SCREW M6X110 DIN 603 ZN	4005337433
2	47574	1	MANUAL	4005337475
3	3136	4	NUT M 6 ZINC C	4005337031
4	43305	2	ROUND-HEAD SCREW M6X140 DIN 603 ZN	4005337433
6	43297	2	CAGE FOR NUT	4005337432
7	43303	1	SUPPORT FOR GASKET	4005337433
8	10028	6	STEEL SCREW FOR SYNTH MAT	4005337100
9	43302	1	REAR PANEL BK 800	4005337433
10	43307	2	CAP	4005337433
11	43308	1	GUIDE	4005337433
12	43343	6	EJOT SCREW KA60X20 WN1411 A2	4005337433
13	43309	1	ROUND-HEAD SCREW M10x75 DIN 603 ZN	4005337433
15	43306	2	ANGLE	4005337433
16	2767	3	WASHER	4005337027
17	42964	1	CASTOR	4005337429
18	8952	1	NUT	4005337089

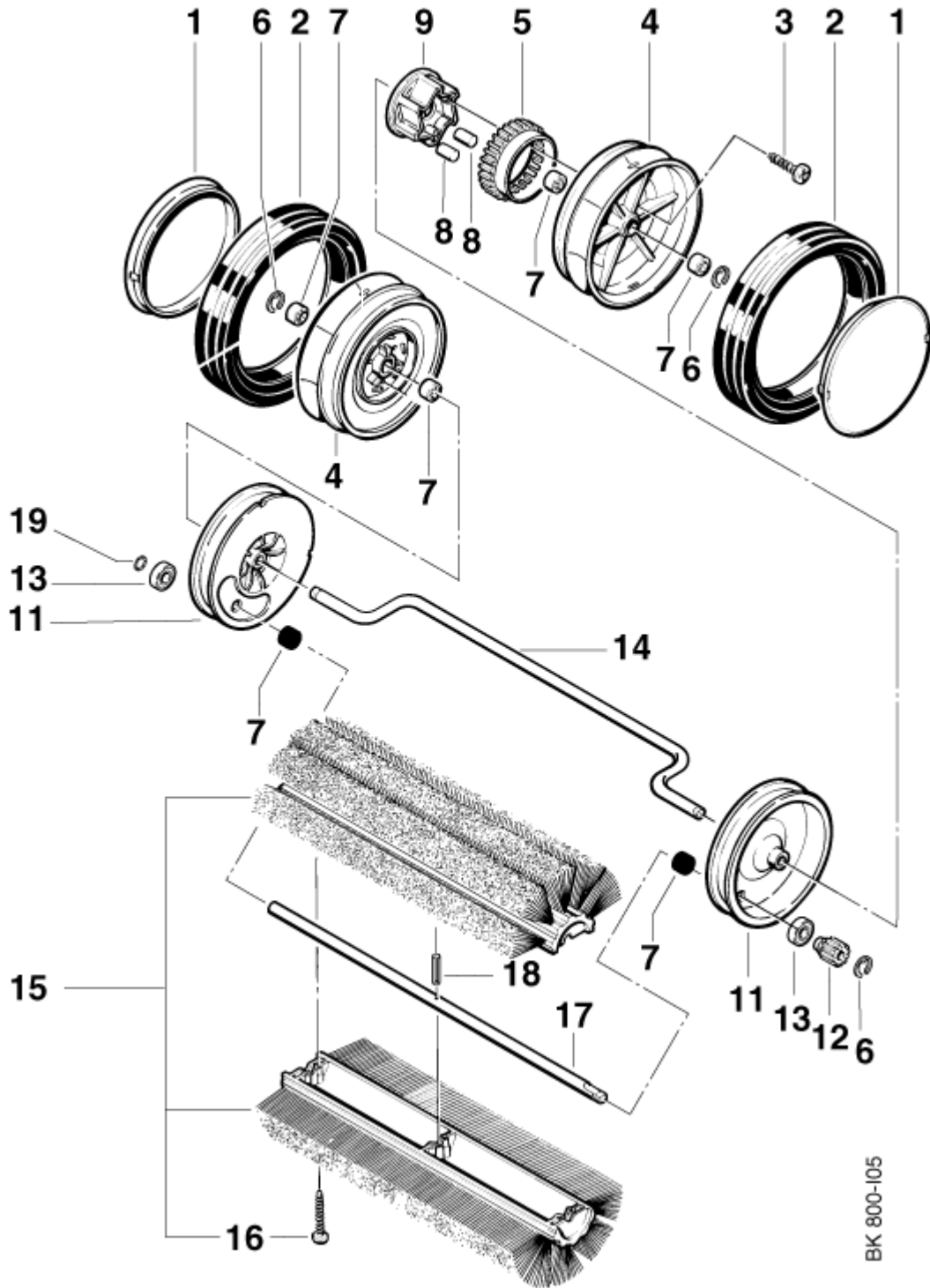
Wheels. Main brush

BK 800

16-09-2011

Part List ID BK80005

11



BK 800-105

Wheels. Main brush

BK 800

16-09-2011

Part List ID
BK80005

12

Pos	Part no.	Qty	Description	EAN
1	43311	2	CAP BK800	4005337433
2	43312	2	TYRE FOR BK800 WHEEL	4005337433
3	43344	3	SCREW	4005337433
4	43104	2	PART FOR BK 800	4005337431
5	43314	1	DRIVE HUB FOR BK 800	4005337433
6	11544	3	SAFETY RING WAS 8878	4005337115
7	43313	6	PART FOR BK 800	4005337433
8	43316	6	ROLLER	4005337433
9	43315	1	FREE-WHEELING HUB	4005337433
11	43319	2	INSERT WHEEL BK800	4005337433
12	47566	1	PINION	4005337475
13	20938	2	BEARING w as 2809	4005337209
14	47570	1	SHAFT	4005337475
15	42320	1	BRUSH ROLLER COMPLETE	4005337423
16	43341	6	SCREW	4005337433
17	47572	1	SPINDLE BK800	4005337475
18	40896	1	SPRING-TYPE STRAIGHT PIN	4005337408
19	5639	1	WHEEL CLIP	4005337056